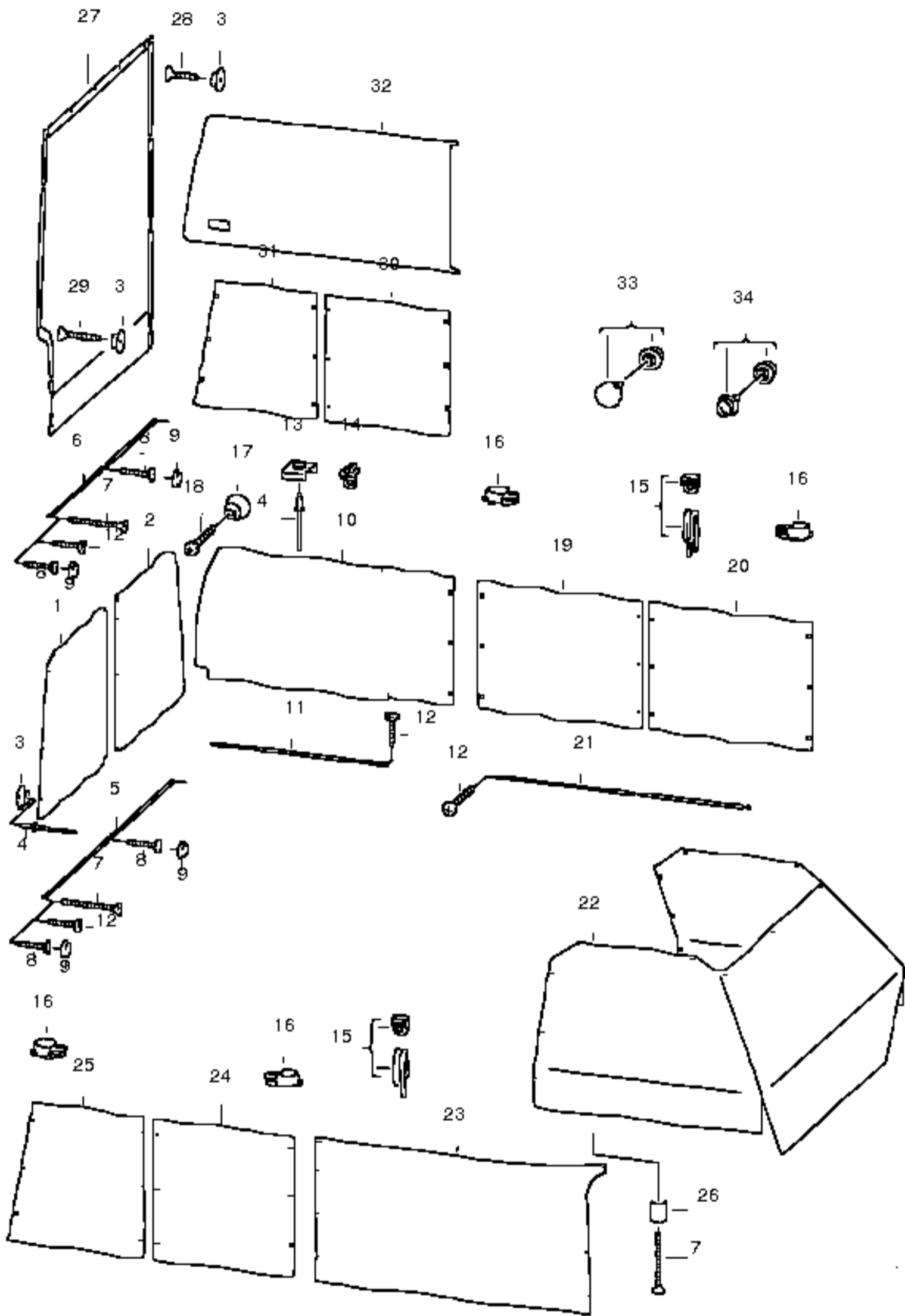


The source for this 2003 model information did not identify the engine code as "AXK" but rather "AMV". I'm not sure of the differences but it does indicate 24 valve. I suspect that the AMV may have been the version in Europe while the AXK was the version for the US. This engine code is shown for model years 2001 through 2003.

In all cases, each picture is followed by a single page of part numbers. For example, #10 on the picture would be found on the next page that provides the correct VW part number for index #10. In many cases, there may be multiple part numbers all listed as #10 so be sure to read the text description for each part to determine the proper applicability as these pages all cover multiple versions and models of each parts category.



curtains / MULTIVAN
mosquito net / pop-up roof

1 701070400Q
curtain for rear window / right F >> 70-X-200 000

(1) 701070400AA
curtain for rear window / left for vehicles with wing door F 70-Y-000 001>>

2 701070400R
curtain for rear window / left F >> 70-X-200 000

(2) 701070400AB
curtain for rear window / right for vehicles with wing door F 70-Y-000 001>>

3 231067654
press stud-ball part

4 231070945
pop-rivet / 3,2X5,84

5 701070403B
slide rail / lower pearl grey

6 701070402B
slide rail / upper pearl grey

7 701070921D
oval head panel screw / 3,9X55

8 701070920
oval head panel screw / 3,9X19

9 701070923G
cap for screw grey

15 701070408
glide piece

16 701070410B
cap pearl grey

19 701070404L
curtain for side window / left front / rear

20 701070405E
curtain for side window / left front / front

22 701070409D
curtain for cab

23 701070411D
curtain for side window / right front

24 701070412H
curtain for side window / right rear / front

25 701070412J
curtain for side window / right rear / rear

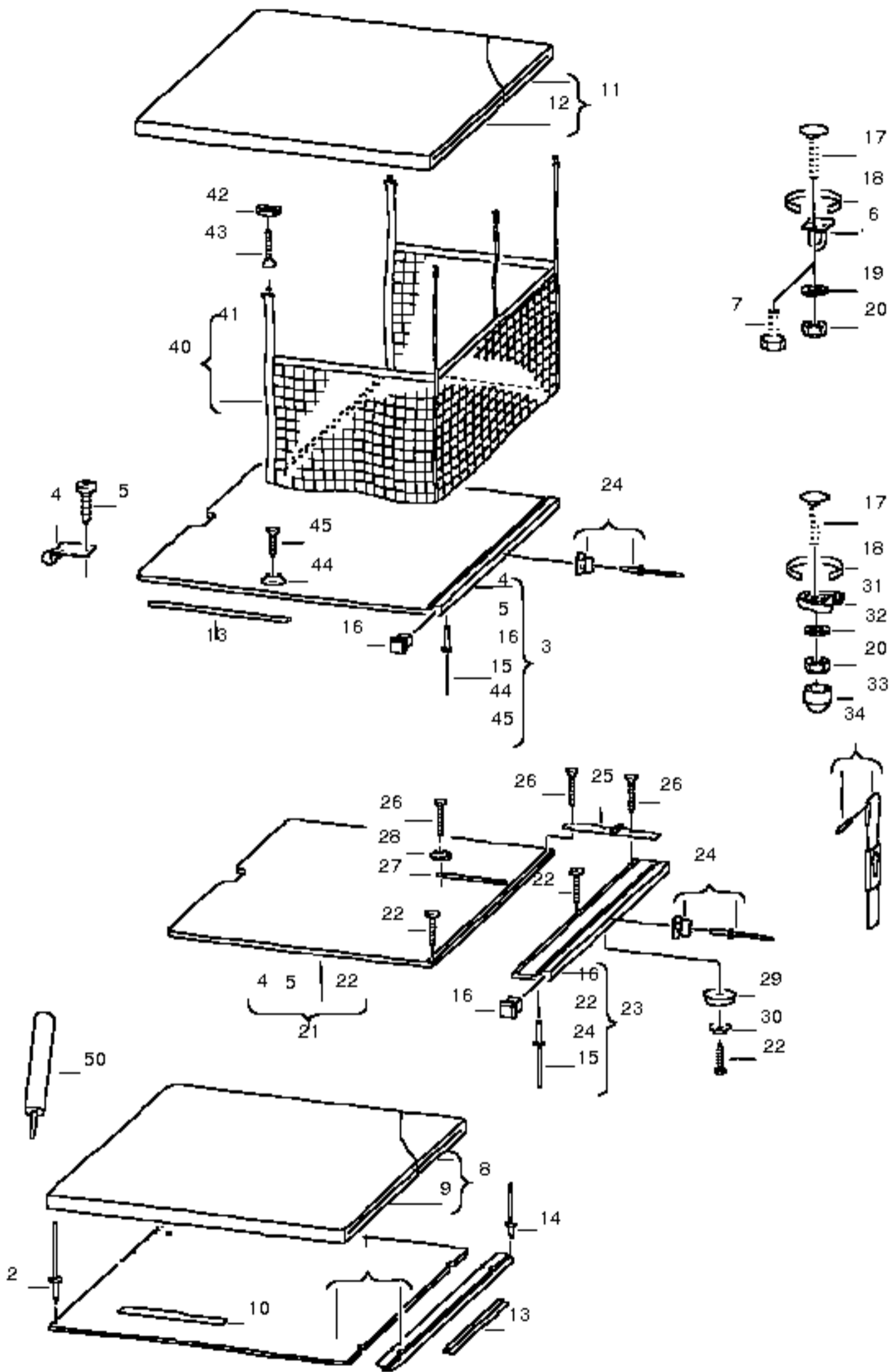
26 253069294
spacer bush / 5MM

30 701070407D
curtain for side window / left rear / front

31 701070407E
curtain for side window / left rear / rear

33 701070408F
press button spring part with cap silver grey F 70-Y-000 001>>

34 701070408D
mackle button and annular spring part



double bed in pop-up roof / MULTIVAN

1 701070727H
bed board / rear

(2) 255070912A
pop-rivet / 5X16

3 701070728H
bed board / front F >> 70-X-200 000

(3) 701070728M
bed board pearl grey F 70-Y-000 001>>

4 701070729D
hinge light grey

5 N 0139612
oval head panel screw / B3,9X13

8 701070733D
bed upholstery / rear grey brown
F >> 70-X-200 000

(8) 701070733F
bed upholstery / rear grey brown
F 70-Y-000 001>>

9 701070734D
upholstery material / rear blue brown
F >> 70-X-200 000

(9) 701070734F
upholstery material / rear grey brown
F 70-Y-000 001>>

10 255070219C
velcro strip / grey

11 701070733D
bed upholstery / front grey brown
F >> 70-X-200 001

(11) 701070733G
bed upholstery / front grey brown
F 70-Y-000 001>>

12 701070734D
upholstery material / front grey brown
F >> 70-X-200 000

(12) 701070734G
upholstery material / front grey brown
F 70-Y-000 001>>

13 701070717D
gasket (self-adhesive) /
1000MM shorten to: / 900MM

14 N 0162011
cup rivet / AK4,8X14

15 701070919
pop-rivet / 5X24

16 701070933A
plug / 30X30

17 701070901K
flat round head bolt / M6X30

18 AKD49701004
sealing cord

- AKD49701004R10
sealing cord / 10X2MM

20 N 01118312
hexagon nut, self-locking / M6

24 701070730A
locking spigot black

31 701070730B
retainer black

32 N 0115476
washer / A6,5X14X1,6

33 255070909A
protective cap / M6 black

34 701070745A
hand strap black

40 701070745B
safety net F >> 1-002 930
F 1-002 931>>

41 701070942AD
retaining band adapt with
workshop equipment F >> 1-002 930
F 1-002 931>>

42 701070757
retaining plate grey F >> 1-002 930
F 1-002 931>>

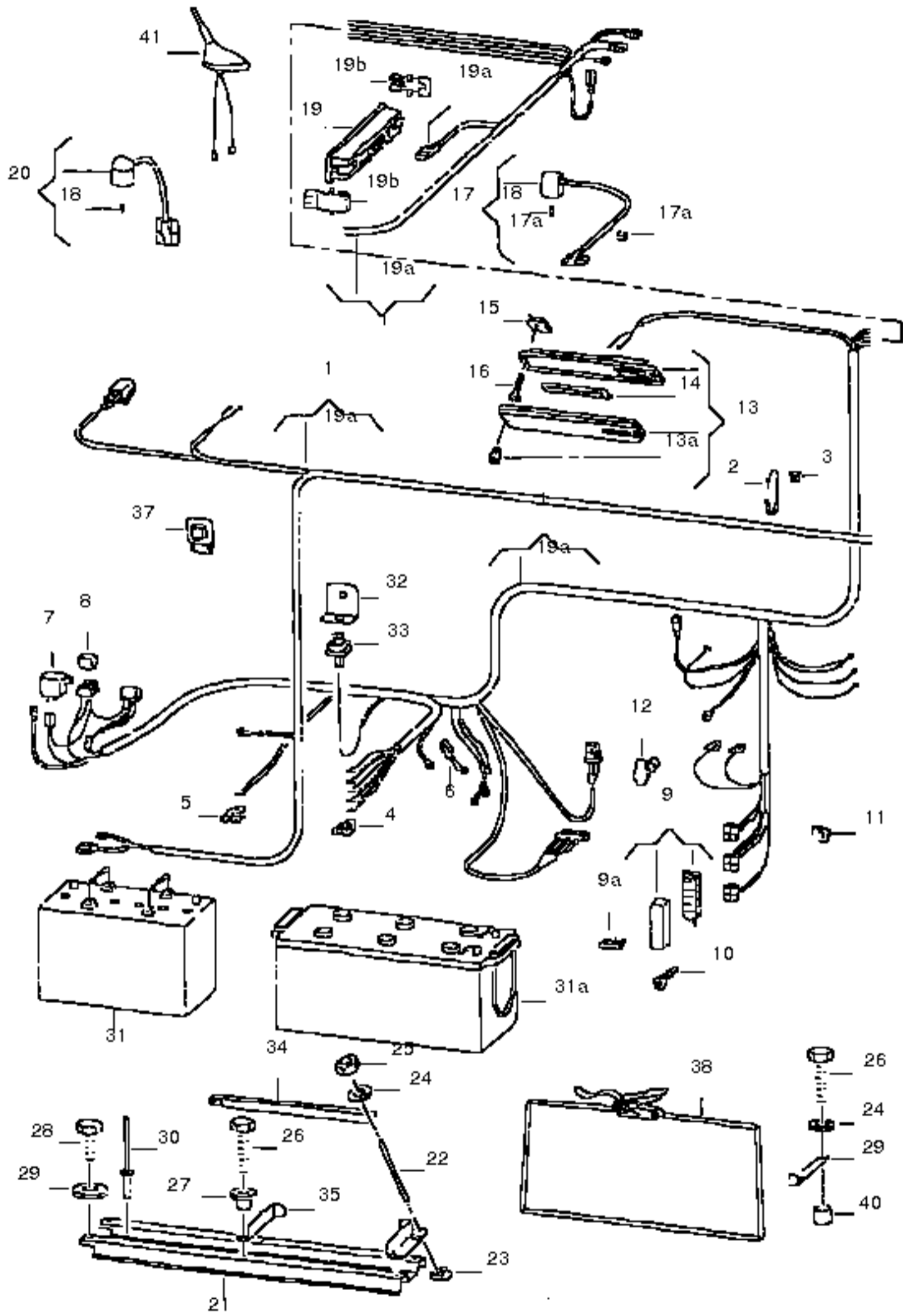
43 N 0140914
oval hd. csk. self-tapp. screw /
ST3,9X16-C F >> 1-002 930
F >> 1-007 900 F 1-002 931>>

44 231067654
press stud-ball part F >> 1-002 930
F 1-002 931>>

45 701070925N
countersunk wood screw / 3,5X12
F >> 1-002 930 F 1-002 931>>

50 AKD476KD505
polyurethane adhesive
sealant / 300ML

(50) 701070916A
adhesive/sealing compound / black



electrical system / 12V / MULTIVAN

2 N 0209022
cable tie / 6X246

3 000971010A
retaining plate for cable binder (self-adhesive) / 27X27MM use if required: / N 020 902 2

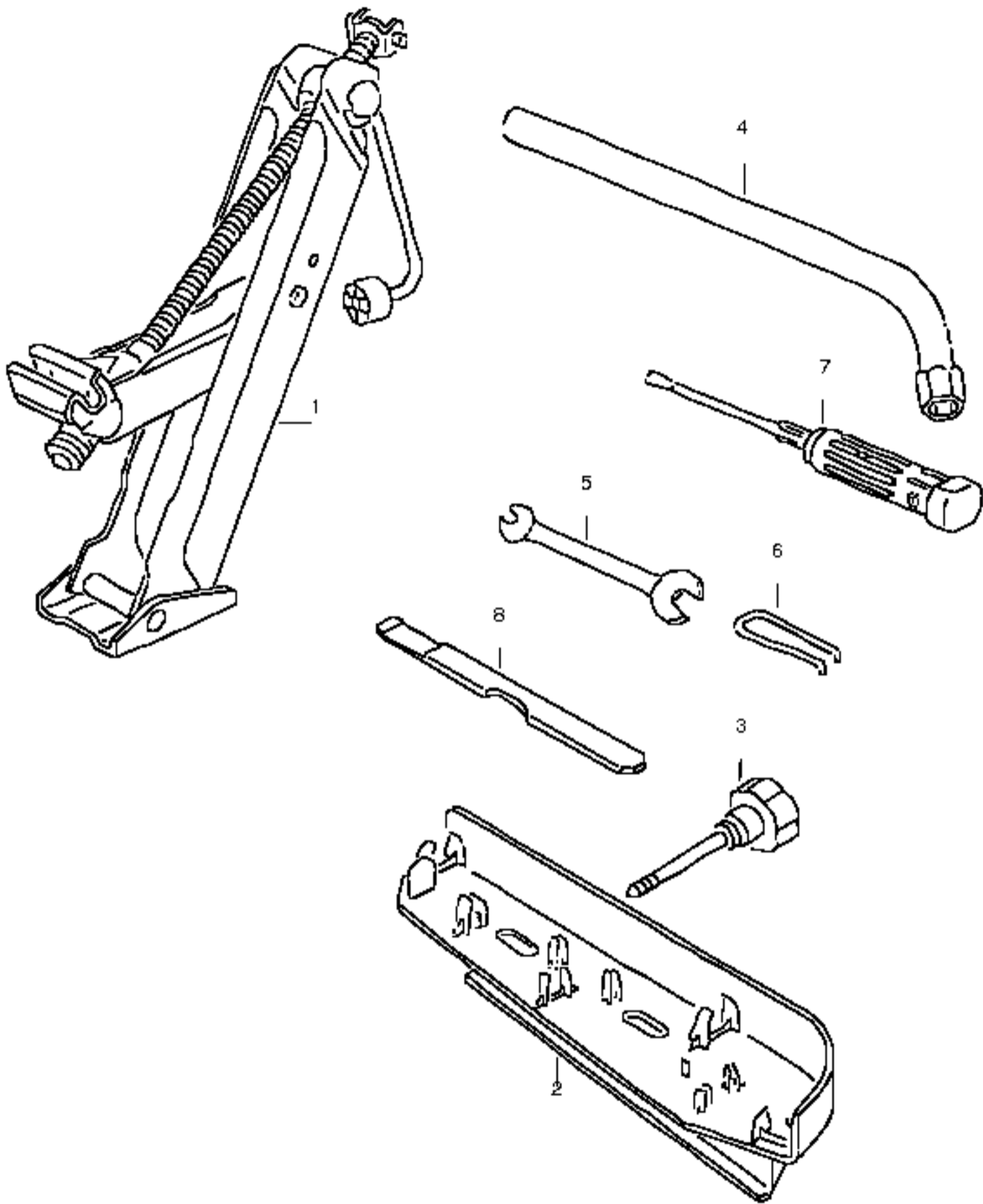
13 701070528
interior light

13A 701070528A
knurled nut

14 701070529
fluorescent tube / 12V11W/ PLS11/827/4P

15 701070936A
panel nut

16 231069052
oval hd. csk. self-tap screw / B2,9X19



jack tools

1 7D0011031B

jack / "AUS", "NZ." / "RC."

1 7D0011031B

jack for models with increased permissible total weight

(1) 7D0011031

jack

2 7M3012113

tool box

3 701012119

knurled screw / M6X85 for jack

4 7L0012219

socket wrench for wheel bolts

5 N 0300574

spanner / 10X13

6 4D0012243

removal tool / 2 point

(6) 6X0012243

removal tool / 1 point

7 191012255B

screwdriver for slotted and phillips head screws

8 7D0012257

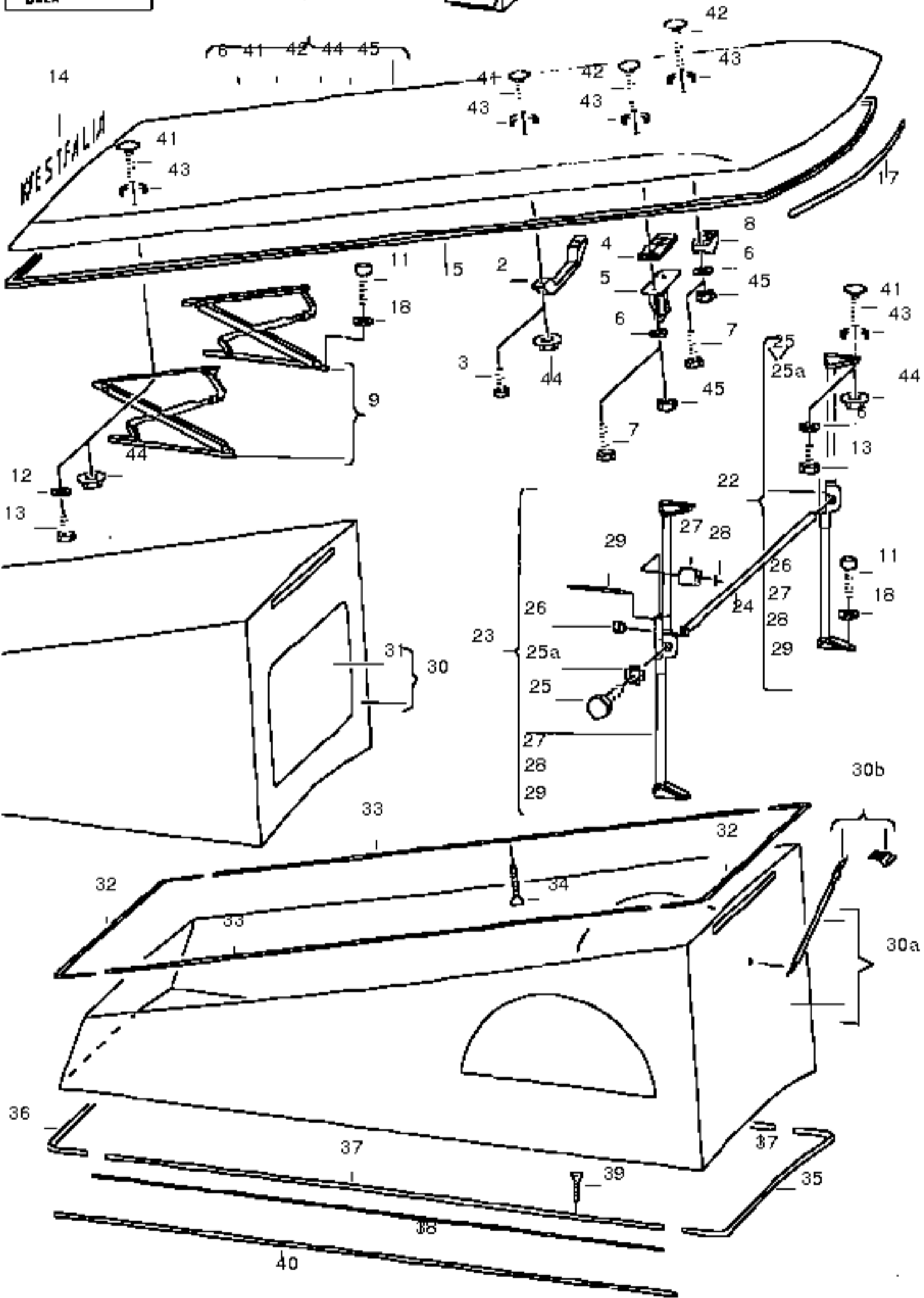
hook for front panel

FAHREN MIT
VERRIEDEL EM
WACH

16



60



pop-up roof / MULTIVAN bellows F >> 70-X-200 000

1 701070711G

pop-up roof

2 251857607

grab handle 251857607 01C satin black

4 701070712C

distance plate

5 701070713

convertible top lock

6 N 01152423

washer / A6,4X12,5X1,6

8 701070714

mounting

9 701070715C

1 set of hinges

11 701070928A

cheese head bolt / M6X20

14 701070914

foil inscription / 'WESTFALIA' silver grey

15 701070735J

roof frame seal

16 701070902

information sticker

17 701070717A

wind deflector / 1415MM

18 N 0115476

washer / A6,5X14X1,6

22 701070723C

support rail / left also use: / 701 070 724 C / 701 070 725 B

23 701070724C

support rail / right also use: / 701 070 723 C / 701 070 725 B

24 701070725B

connecting rod

25 N 01024222

hexagonal head bolt / M8X25

25A N 0121322

shake-proof washer / A8,4

26 701070918

stop buffer

27 701070918A

stop buffer / 22,5X20

28 N 01152318

washer / A5,3X10X1

29 701070919

pop-rivet / 5X24

30A 701070717H

bellows grey zipp fastener / 2,6MM

30B 701070717J

hand strap / 885X490MM grey zipp fastener / 2,6MM

32 701070718

retaining rail / front and rear

33 701070719

retaining rail / left a. right

34 N 0140831

oval hd. sk. self-tapp. screw / ST2,9X16-C

35 701070720

retaining rail / front

36 701070721

retaining rail / rear

37 701070722

retaining rail / side

38 701070735B

butyl adhesive / sealing cord

39 N 0139537

oval head panel screw / ST2,5X9,5

40 255070926M

retaining profile / 10M

41 701070901K

flat round head bolt / M6X30

42 701070901L

flat round head bolt / M6X40

43 AKD49701004

sealing cord 10X2MM

44 701070704A

shouldered hex. nut, self-locking / M6

45 N 01118312

hexagon nut, self-locking / M6

60 701070917A

repair kit for fibre-glass plastic paprika red

(60) 701070917G

repair kit for fibre-glass plastic greywhite

(60) 701070917H

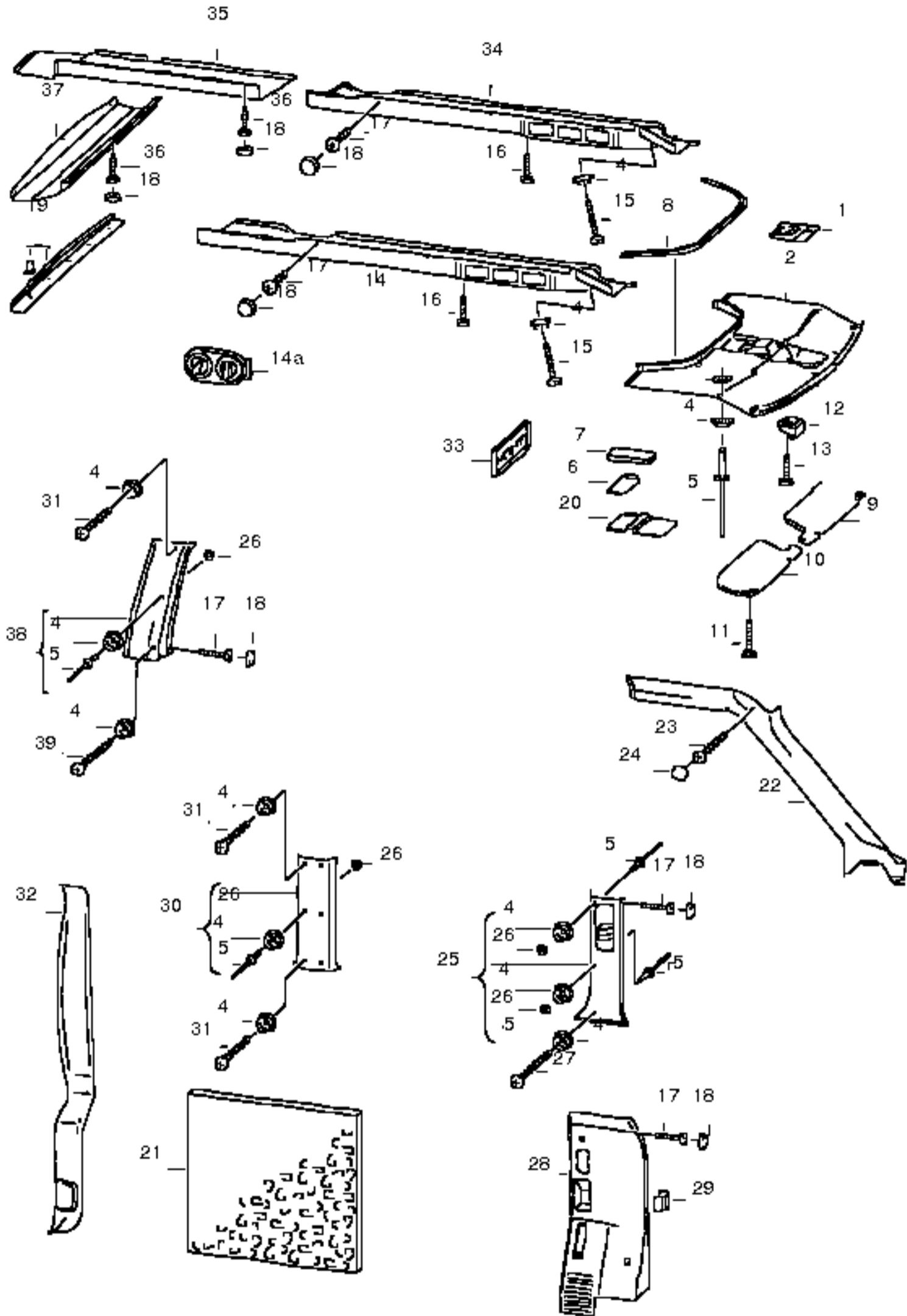
repair kit for fibre-glass plastic frisian green

(60) 701070917J

repair kit for fibre-glass plastic tornado red

(60) 701070917K

repair kit for fibre-glass plastic ontario green



roof lining / left / MULTIVAN: sun vizer / pop-up roof

1 701070002B
covering / front F >> X-005 000

(1) 701070002D
covering / front pearl grey F Y-000 001>>

2 701070001AA
roof lining / front
also use: / 701 070 005 A

3 N 0115536
washer / 3,2X6X0,5

4 231067654
press stud-ball part

5 701070919A
pop-rivet / 3,2X8,89

6 701070005K
covering

7 701070937
packing, adhesive

8 701070937C
sealing

9 705857551AB
sun visor with illuminated mirror and cover / left
705857551ABX14 pearl grey

(9) 705857551AC
sun visor without mirror / left
705857551ACX14 pearl grey

10 705857552AB
sun visor with illuminated mirror and cover / right
705857552ABX14 pearl grey

(10) 705857552AD
sun visor with mirror / right
705857552ADX14 pearl grey

11 N 0139671
oval head panel screw / B4,2X19-C

12 705857561
bracket for sun visor
705857561 4YX grey

13 N 0139649
oval head panel screw / ST4,2X16-C

14A 7D0919158
operating unit for vehicles with 2nd heat exchanger b-pillar trim
rework if necessary
F X-000 141>>
7D0919158 Y20 pearl grey

15 701070921B
oval head panel screw / 3,9X32

16 N 0139622
oval head panel screw / ST3,9X16-C

17 701070920
oval head panel screw / 3,9X19

18 701070923G
cap for screw grey

22 705867233A
lining, pillar a / left upper
705867233A 2EN pearl grey

23 N 90157501
panel screw / B4,2X25

24 357867169
cover cap
357867169 9XK light grey
357867169 Y20 pearl grey

25 701070007N
b-pillar trim / left upper pearl grey

26 N 0115536
washer / 3,2X6X0,5

27 701070921
oval head panel screw / 3,9X45

30 701070009AA
lining, pillar c / left upper

31 701070921A
oval head panel screw / 3,9X22

33 701070005A
trim / 'WESTFALIA'

(34) 701070003J
roof frame trim panel / left front
rework if necessary / X-000140>>

35 701070003H
roof frame trim panel / left rear

36 255070240
oval head panel screw / B3,9X13

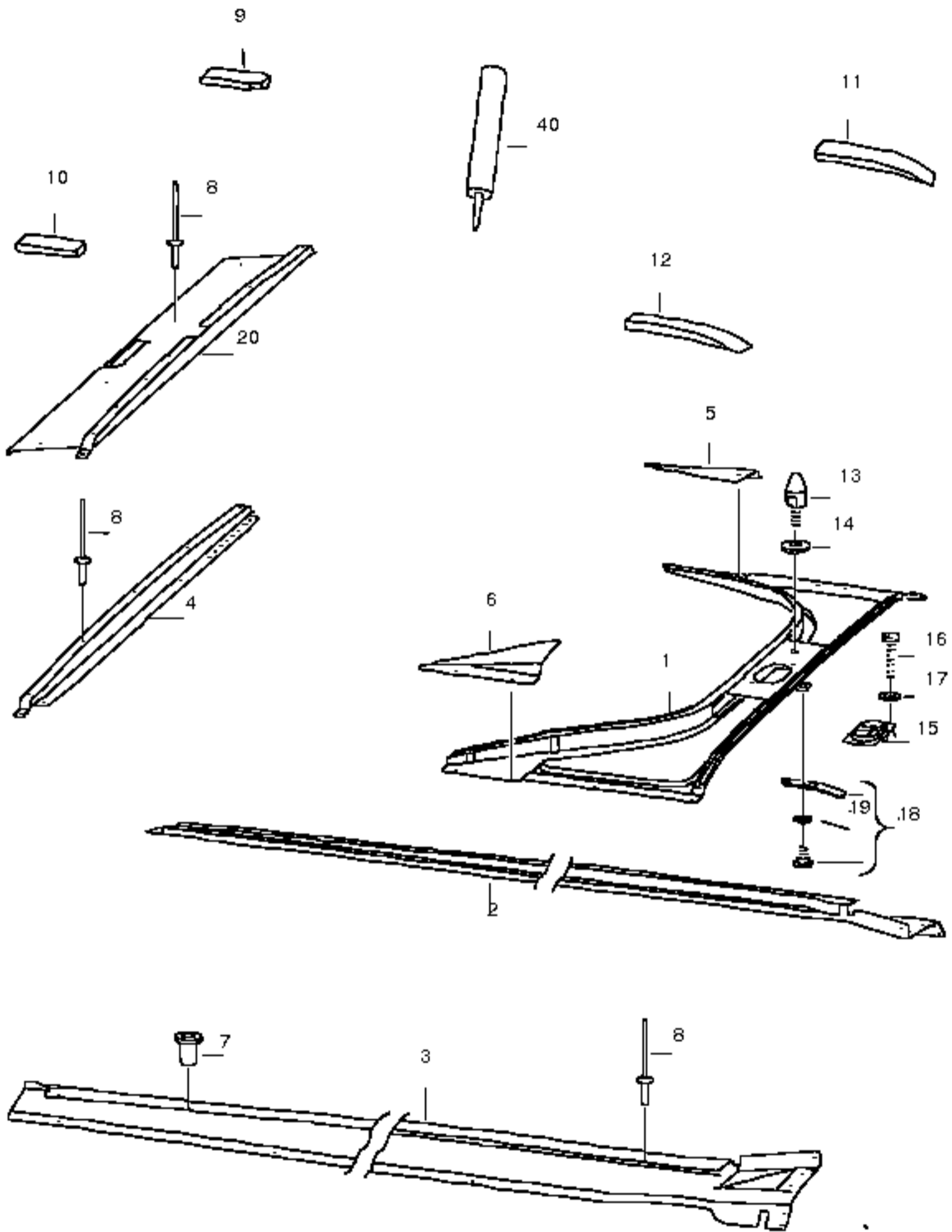
37 701070001P
roof frame trim panel / rear

(37) 701070001AC
roof frame trim panel / rear for vehicles with wing door

38 701070010K
lining, pillar d / left

(38) 701070010N
lining, pillar d / left for vehicles with wing door

39 701070921C
oval head panel screw / 3,9X55



roof reinforcement / MULTIVAN

1 701070700
roof reinforcement / front

2 701070701D
roof reinforcement / left
F >> 70-X-200 000

(2) 701070701G
roof reinforcement / left pearl grey
F 70-Y-000 001>>

3 701070702D
roof reinforcement / right
F >> 70-X-200 001

(3) 701070702G
roof reinforcement / right pearl grey
F 70-Y-000 001>>

4 701070703C
roof reinforcement / rear

5 701070705C
gusset plate / left

6 701070706C
gusset plate / right

7 701070915
rivetted cap nut / M6

8 N 0162011
cup rivet / AK4,8X14

9 701070707
filler piece / left rear

10 701070708
filler piece / right rear

11 701070709
filler piece / left front

12 701070710
filler piece / right front

13 701070704
pin

14 N 90476901
washer / B10,5X30X3

15 191823509
bonnet lock-lower part / front

16 231070919
fillister hd. bolt / AM5X12

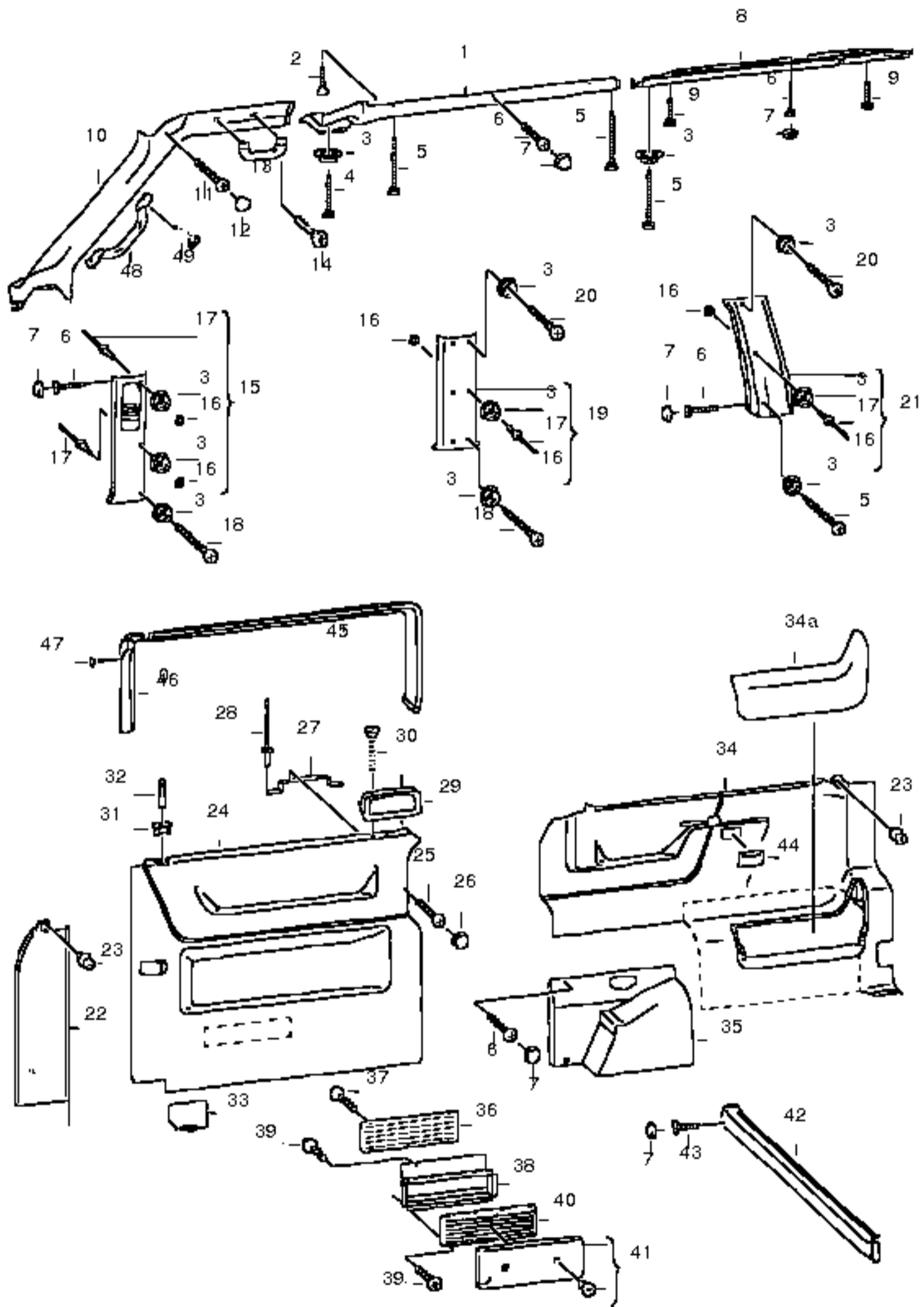
17 N 01152318
washer / A5,3X10X1

18 701070713A
operating lever

19 701070900D
washer / 8,4X18X1

40 AKD476KD505
polyurethane- adhesive sealant / 300ML

(40) 701070916A
adhesive/sealing compound / black



side trim panels / right / MULTIVAN:
pillar trim / pop-up roof

1 701070004G
roof frame trim panel / right front
F >> 70-X-200 000

(1) 701070004P
roof frame trim panel / right front pearl grey
F 70-Y-000 001>>

2 255070907E
oval head panel screw / 2,9X13

3 231067654
press stud-ball part

4 701070921B
oval head panel screw / 3,9X32

5 701070921C
oval head panel screw / 3,9X55

6 701070920
oval head panel screw / 3,9X19

7 701070923G
cap for screw grey

8 701070006F
roof frame trim panel / right rear

9 N 0139622
oval head panel screw / ST3,9X16-C

10 705867234C
lining, pillar a / right upper
705867234C 2EN pearl grey

11 N 90157501
panel screw / B4,2X25

12 357867169
cover cap
357867169 Y20 pearl grey

13 7D0857607
grab handle, folding
7D0857607 R48 light beige
7D0857607 2EN pearl grey

(13) 1J0857607M
grab handle, folding
1J0857607M Y20 pearl grey
1J0857607M 8YS light beige

14 N 90434501
panel screw / 5X17

15 701070011B
b-pillar trim / right upper

16 N 0115536
washer / 3,2X6X0,5

17 701070919A
pop-rivet / 3,2X8,89

18 N 0140882
oval head panel screw / ST3,9X38-C

19 701070009Q
lining, pillar c / right upper

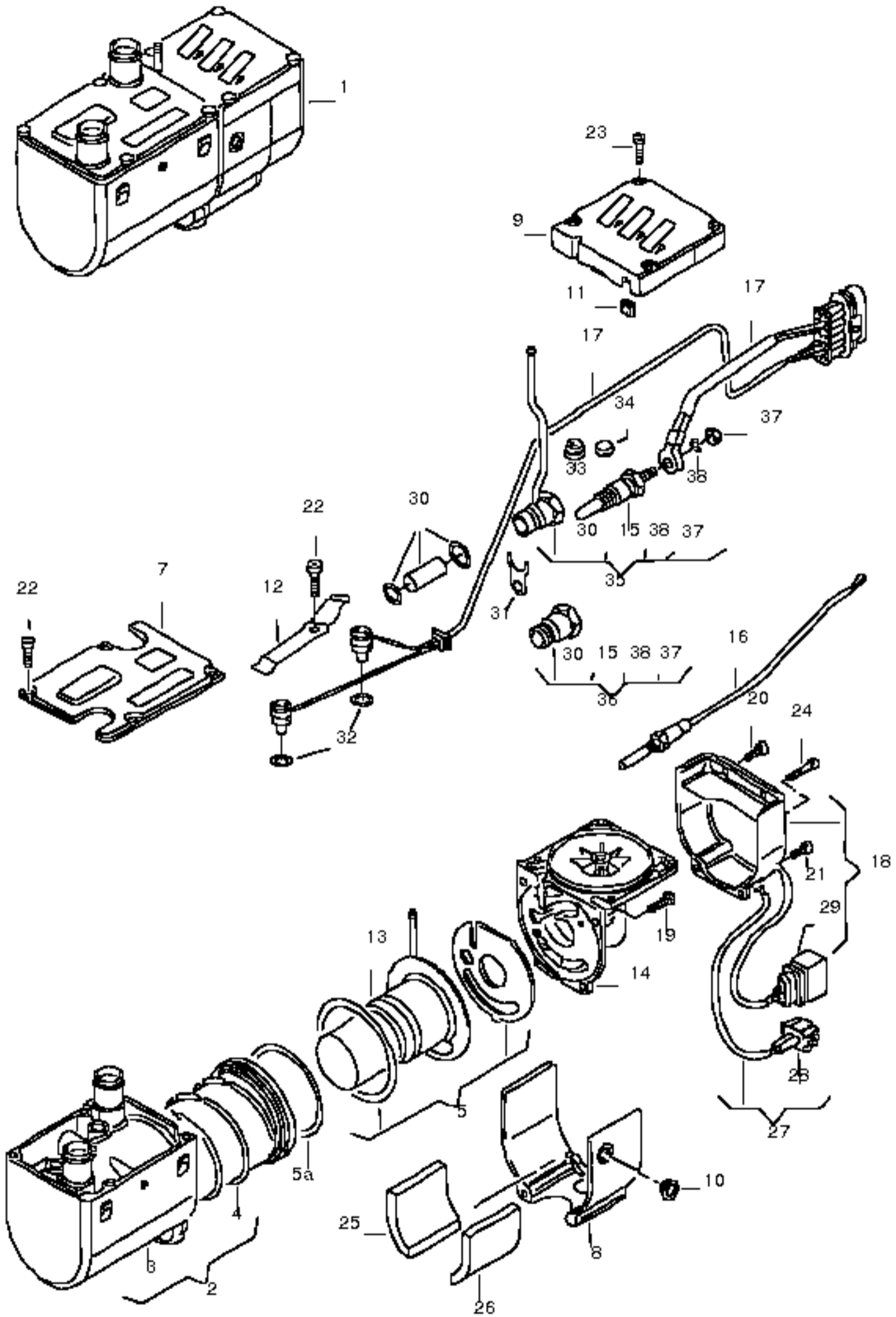
20 701070921A
oval head panel screw / 3,9X22

21 701070010H
lining, pillar d / right upper
F >> 70-X-200 000

(21) 701070010P
lining, pillar d / right upper for vehicles with wing door pearl grey
F 70-Y-000 001>>

48 705857607A
grab handle a-pillar (passenger side)
705857607A 2PU pearl grey

49 N 0141405
fillister hd. bolt / M6X15



additional heater for coolant circuit / D3W

auxiliary heater for coolant circuit

/ D4W-S/B4W-D

F >> 70-Y-060 000*

additional heater for coolant circuit / D3W / diesel eng.: / ACV,AJT,AHY

auxiliary heater for coolant circuit / D4W-S / diesel eng.: / ACV,AJT,AHY

/ automatic:

/ AUF,

/ B4W-S / otto engine:

/ AET,AEU,APL

F >> 70-Y-060 000*

see illustration: / 819-63

(1) 7D0815071

heater for additional heater / D3W / ACV,AJT,AHY, / AUF

(1) 7M0819008D

heater for auxiliary heater / B4W-S / AET,AEU,APL

(1) 7M0819008E

heater for auxiliary heater / D4W-S / ACV,AJT,AHY / AUF

single part

only for: / 701 815 071

/ 7M0 819 008 D

/ 7M0 819 008 E

2 -----.

discontinued / replacement: / 7D0 819 061

3 7D0819061

heat exchanger housing

also use: / 701 819 033

4 701819033

heat exchanger

(5) 7D0898003

set of seals

(5A) 7D0819380

round seal / 74X3

7 701815713

cover

8 701815715

covering

additional heater for coolant circuit

/ D3W

(8) 7M0815715

covering

for vehicles with auxiliary heater

/ B/D4W-S

use if required: / 7M0 815 715

9 701815716

cover

(10) 7D0819394

protective cap / D3W

11 701819598

plug

12 701815947

retaining panel

13 701819659

combustion chamber insert / D3W/D4W-S / ACV,AJT,AHY, / AUF

(13) 7D0819573B

combustion chamber insert / B4W-S / AET,AEU,APL

14 7D0963031

blower motor with fan / D3W / ACV,AJT,AHY

/ AUF

(14) 7M0963031B

blower motor with fan / D4W-S / ACV,AJT,AHY,

for vehicles with auxiliary heater / AUF

(14) 7M0963031C

blower motor with fan / B4W-S / AET,AEU,APL

for vehicles with auxiliary heater

15 7D0963319

glow plug

16 7D0963533

fuel cut-off

17 7D0963537

wiring harness / ACV,AJT,AHY,

overheating switch / AUF

temperature sensor

additional heater for coolant circuit

/ D3W

(17) 7M0971411B

wiring harness adapter

overheating switch

temperature sensor

for vehicles with auxiliary heater

/ D/B4W-S

18 7D0963271

electronic control unit / ACV,AJT,AHY,

additional heater for coolant circuit / AUF

/ D3W

(18) 7M0963271B

electronic control unit / ACV,AJT,AHY,

for vehicles with auxiliary heater / AUF

/ D4W-S

(18) 7M0963271C

electronic control unit / AET,AEU,APL

for vehicles with auxiliary heater

/ B4W-S

19 N 0102076

hexagonal head bolt / M5X12

20 N 0141233

fillister hd. bolt / M4X10

21 N 0141313

fillister hd. bolt / AM5X15

22 N 0141335

fillister hd. bolt / M5X12

23 N 0441314

fillister hd. bolt / M5X25

24 N 10065401

allen key head bolt / M5X65

(25) 7M0815715

covering / left

for vehicles with auxiliary heater

(26) 7M0815715

covering / right

for vehicles with auxiliary heater

27 7M0971411C

wiring harness adapter

for vehicles with auxiliary heater

28 357972752

flat contact housing / 2 pin

for vehicles with auxiliary heater

29 3A0973734

flat contact housing / 8 pin

32 7D0819380A

round seal / 7X2MM

additional heater for coolant circuit

/ D3W

(36) 7D0819392A

connection piece / AET,AEU,APL

auxiliary heater for coolant circuit

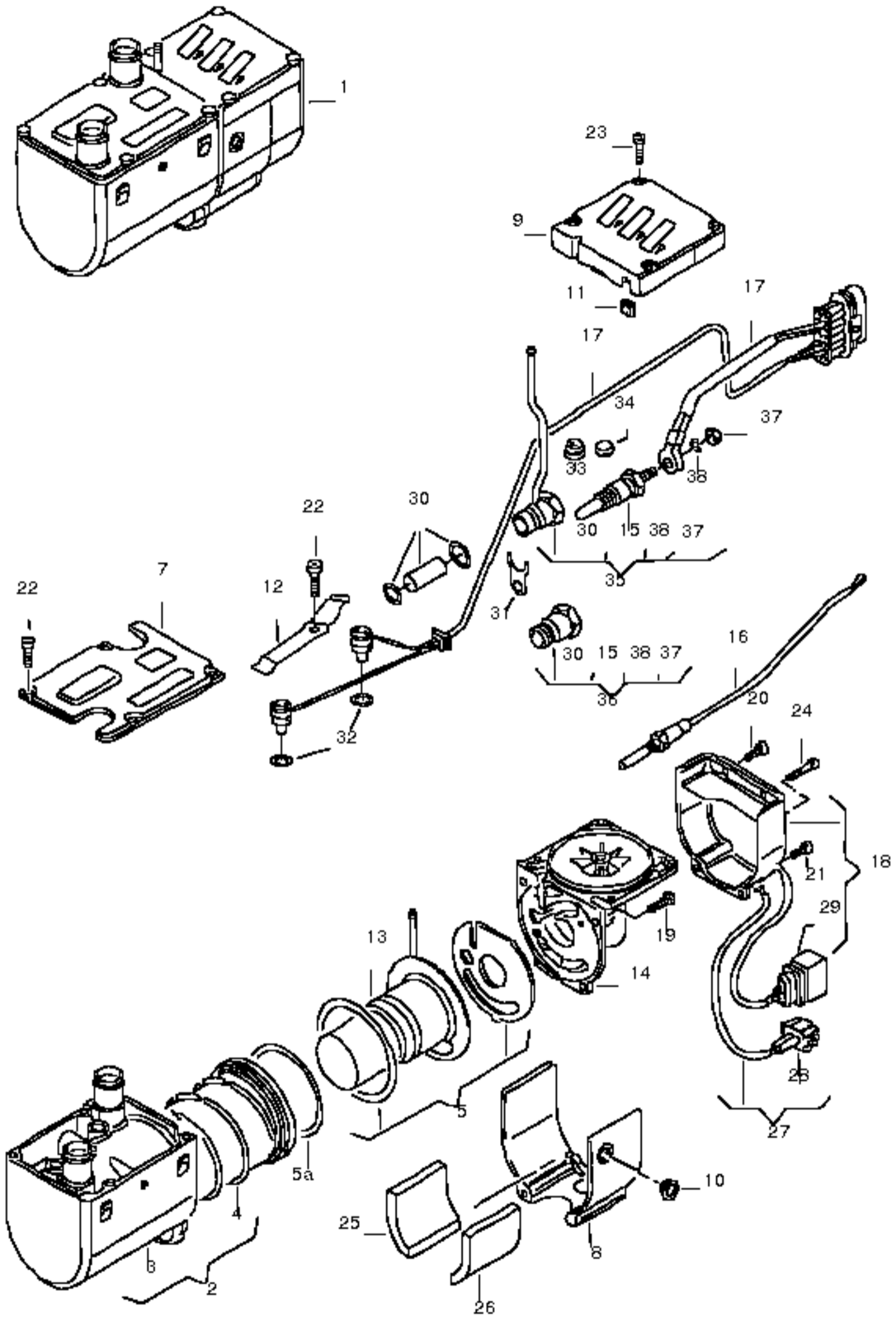
/ B4W-S

37 N 0110042

hexagonal nut / M4

38 N 0120043

spring ring / B4



additional heater for coolant circuit / D3W

auxiliary heater for coolant circuit / D4W-S/B4W-S

F 70-Y-060 001>>*

additional heater for coolant circuit / D3W / diesel eng.: / ACV,AJT,AHY, / AXG,AYY,

auxiliary heater for coolant circuit / D4W-S / diesel eng.: / ACV,AJT,AHY, / AXG,AYC,AYY,

/ automatic: / AUF,

/ B4W-S / otto engine: / AET,AEU,APL, / AVT

F 70-Y-060 001>>*

(1) 7D0815071

heater for additional heater / D3W / AXG,AYC,AYY,

/ ACV,AJT,AHY,

/ AUF

(1) 7D0819008

heater for auxiliary heater / B4W-S / AVT,AET,AEU, / APL

(1) 7D0819008A

heater for auxiliary heater / D4W-S / AXG,AYC,AYY, / ACV,AJT,AHY, / AUF

single parts

only for: / 7D0 815 071

/ 7D0 819 008

/ 7D0 819 008 A

2 -----.

discontinued / replacement: / 7D0 819 061

3 7D0819061

heat exchanger housing

also use: / 701 819 033

4 701819033

heat exchanger

(5) 7D0898003

set of seals

(5A) 7D0819380

round seal / 74X3

7 701815713

cover

8 701815715

covering

use if required: / 7M0 815 715

(9) 7D0819915

cover

(10) 7D0819394

protective cap / D3W

11 701819598

plug

12 701815947

retaining panel

(13) 7D0819573A

combustion chamber insert / AXG,AYC,AYY,

additional heater for coolant circuit / ACV,AJT,AHY,

/ D3W / AUF

auxiliary heater for coolant circuit

/ D4W-S

(13) 7D0819573B

combustion chamber insert / AET,AEU,APL,

auxiliary heater for coolant circuit / AVT

/ B4W-S

(14) 7D0963031A

blower motor with fan / D3W / AXG,AYC,AYY,

/ ACV,AJT,AHY,

/ AUF

(14) 7M0963031C

blower motor with fan / D4W-S/B4W-S

for vehicles with auxiliary heater

15 7D0963319

glow plug

(16) 7D0963533A

fuel cut-off / AXG,AYC,AYY,

additional heater for coolant circuit / ACV,AJT,AHY,

/ D3W / AUF

auxiliary heater for coolant circuit

/ D4W-S

16 7D0963533

fuel cut-off / AET,AEU,APL,

auxiliary heater for coolant circuit / AVT

/ B4W-S

(17) 7M0971411B

wiring harness adapter

overheating switch

temperature sensor

(18) 7D0963271A

electronic control unit / AXG,AYC,AYY,

additional heater for coolant circuit / ACV,AJT,AHY,

/ D3W / AUF

(18) 7D0963271C

electronic control unit / AXG,AYC,AYY,

auxiliary heater for coolant circuit / ACV,AJT,AHY,

/ D4W-S / AUF

(18) 7D0963271B

electronic control unit / AET,AEU,APL,

auxiliary heater for coolant circuit / AVT

/ B4W-S

19 N 0102076

hexagonal head bolt / M5X12

20 N 0141233

fillister hd. bolt / M4X10

21 N 0141313

fillister hd. bolt / AM5X15

22 N 0141335

fillister hd. bolt / M5X12

23 N 0441314

fillister hd. bolt / M5X25

24 N 10065401

allen key head bolt / M5X65

(25) 7M0815715

covering / left

for vehicles with auxiliary heater

(26) 7M0815715

covering / right

for vehicles with auxiliary heater

27 7M0971411C

wiring harness adapter

for vehicles with auxiliary heater

28 357972752

flat contact housing / 2 pin

for vehicles with auxiliary heater

29 3A0973734

flat contact housing / 8 pin

30 7D0898885

flame deflector strainer / D3W/D4W-S / AXG,AYC,AYY,

/ ACV,AJT,AHY,

/ AUF

(30) 7D0898885A

flame deflector strainer / B4W-S / AET,AEU,APL,

/ AVT

31 7D0819735F

retainer

32 7D0819380A

round seal / 7X2MM

additional heater for coolant circuit

/ D3W

33 7D0819345A

grommet / D3W / AXG,AYC,AYY,

/ ACV,AJT,AHY,

/ AUF

34 7D0819394

protective cap / D3W / AXG,AYC,AYY,

/ ACV,AJT,AHY,

/ AUF

35 7D0819392

connection piece / AXG,AYC,AYY,

additional heater for coolant circuit / ACV,AJT,AHY,

/ D3W / AUF

auxiliary heater for coolant circuit

/ D4W-S

(36) 7D0819392A

connection piece / AET,AEU,APL,

auxiliary heater for coolant circuit / AVT

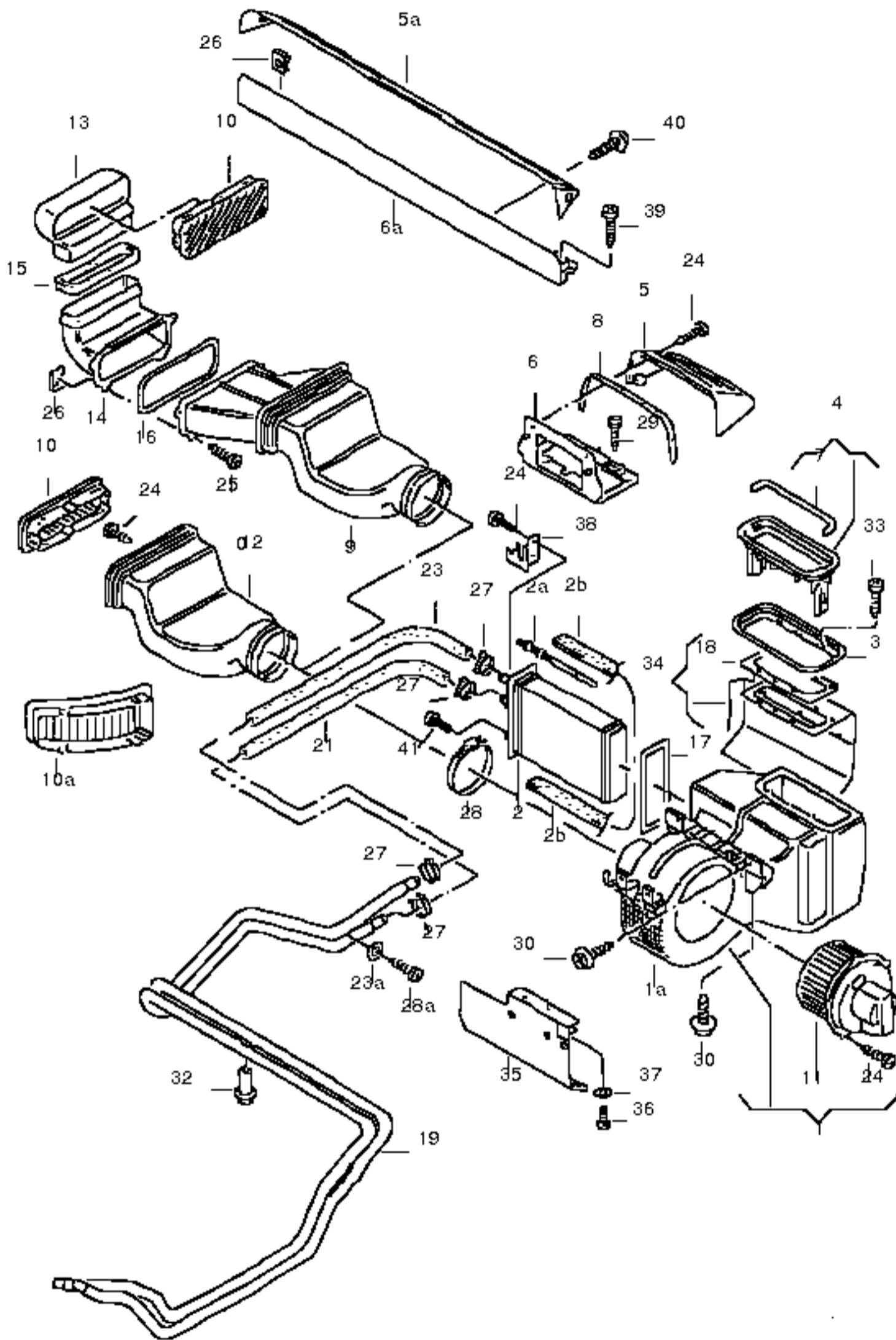
/ B4W-S

37 N 0110042

hexagonal nut / M4

38 N 0120043

spring ring / B4



additional heater in passenger compartment

I -----
no longer available

(1A) 701819049B
housing
for vehicles with 2nd. heat exchanger and warm air vent passenger compartment step

stone guard
use if required: / 701 815 485
F 70-2-150 001>>*
use if required: / 701 819 167
/ 7D1 959 263
/ N 013 959 4
/ N 905 048 02

(1A) 701820049A
housing
for vehicles with electronically regulated air condit.
for vehicles with 2nd. heat exchanger and warm air vent passenger compartment step

stone guard
use if required: / 701 815 485
F 70-2-150 001>>*
use if required: / 701 819 167
/ 701 907 521
/ N 013 959 4
/ N 905 048 02

- 7D1959263
series resistor / 1,8 + 1,1 OHM
for vehicles with manually regulated heater
for vehicles with manually regulated air conditioner

see illustration: / 959-10 POS.(1)

- 701907521
blower control
for vehicles with electroni- cally regulated air condit.
for vehicles with 2nd evaporator

see illustration: / 963-10 POS.10A

- N 90504802
hexagon head bolt (combi) / M4X13

2 701819032
heat exchanger
use if required: / 701 907 543 B

2A 701907543B
temperature sensor
for vehicles with electronically regulated air condit.
for vehicles with 2nd heat exchanger

2B 7D0819069
gasket / 810X25X6
shorten to: / 665MM

(5) 7D0819111
air vent / upper
for vehicles with 2nd. heat exchanger and warm air vent passenger compartment step
7D0819111 Q70 light beige
7D0819111 01C satin black
7D0819111 9UW sahara

5A 7D0819110
air vent / upper
use if required: / 3B0 925 071
F 70-Y-000 973>>*
/ MULTIVAN II
7D0819110 U71 flannel grey

- 3B0925071
electric socket / MULTIVAN II

6 701819112
air vent / lower
for vehicles with 2nd. heat exchanger and warm air vent passenger compartment step
701819112 01C satin black

6A 7D0819112C
air vent / lower
F 70-Y-000 973>>*
/ MULTIVAN II
7D0819112C U71 flannel grey

8 701819126
gasket
for vehicles with partition
for vehicles with 2nd. heat exchanger and warm air vent passenger compartment step

9 701819132
connecting elbow
for models without sliding door
use if required: / 701 819 479
F >> 70-Y-000 001*

(9) 7D0819132
connecting elbow
for models without sliding door
F 70-Y-000 002>>*

- 701819479
gasket
only for: / 701 819 132
F >> 70-Y-000 001*

10 701819144
trim
for models without sliding door
F >> 70-Y-000 972* / MULTIVAN I
701819144 01C satin black

10A 701819144B
trim
for vehicles with sliding door
701819144B 01C satin black

11 701819167
electric fan motor
for vehicles with 2nd. heat exchanger and warm air vent passenger compartment step

(12) 7D1819223
intake duct

13 701819442
elbow / upper / kombi van
for models without sliding door / delivery van

(13) 705819442
elbow / upper / bus
for models without sliding door

(13) 705819442
elbow / upper
for models without sliding door

F >> 70-Y-000 972* / MULTIVAN I
14 701819461
elbow / lower
for models without sliding door

15 701819480
gasket
for models without sliding door

16 701819480A
gasket / lower
for models without sliding door

17 701819862
gasket
heat exchanger

18 701819871
gasket
water box

(19) 701819885C
tube / feed/return
also use: / N 906 640 01
/ POS. (32)

(21) 701819895A
water hose / feed
for vehicles with 2nd. heat exchanger and warm air vent passenger compartment step

(23) 701819896A
water hose / return
for vehicles with 2nd. heat exchanger and warm air vent passenger compartment step

23A N 0115562
washer / 5,3X9,5X1

24 N 0139594
oval head panel screw / 3,5X16

(24) N 0139575
oval head panel screw / B3,5X9,5 / MULTIVAN

25 N 0139755
oval head panel screw / ST4,8X19

26 N 0154581
snap nut / B4,8X19X16

27 N 0164031
spring-type clip / 27

28 N 0245132
pipe clip / A90-110X9

28A N 0139781
oval head panel screw / B4,8X55

29 N 0439702
panel screw / B3,5X22

30 N 90312901
oval head panel screw (combi) / B4,2X22

(32) N 90664001
hexagonal nut / 5

33 N 90497301
panel screw / M3,5X35

34 701815485
stone guard
for vehicles with 2nd. heat exchanger and warm air vent passenger compartment step

no longer available

36 N 0141191
fillister hd. bolt / M4X20

37 N 0115227
washer / A4,3X9X0,8

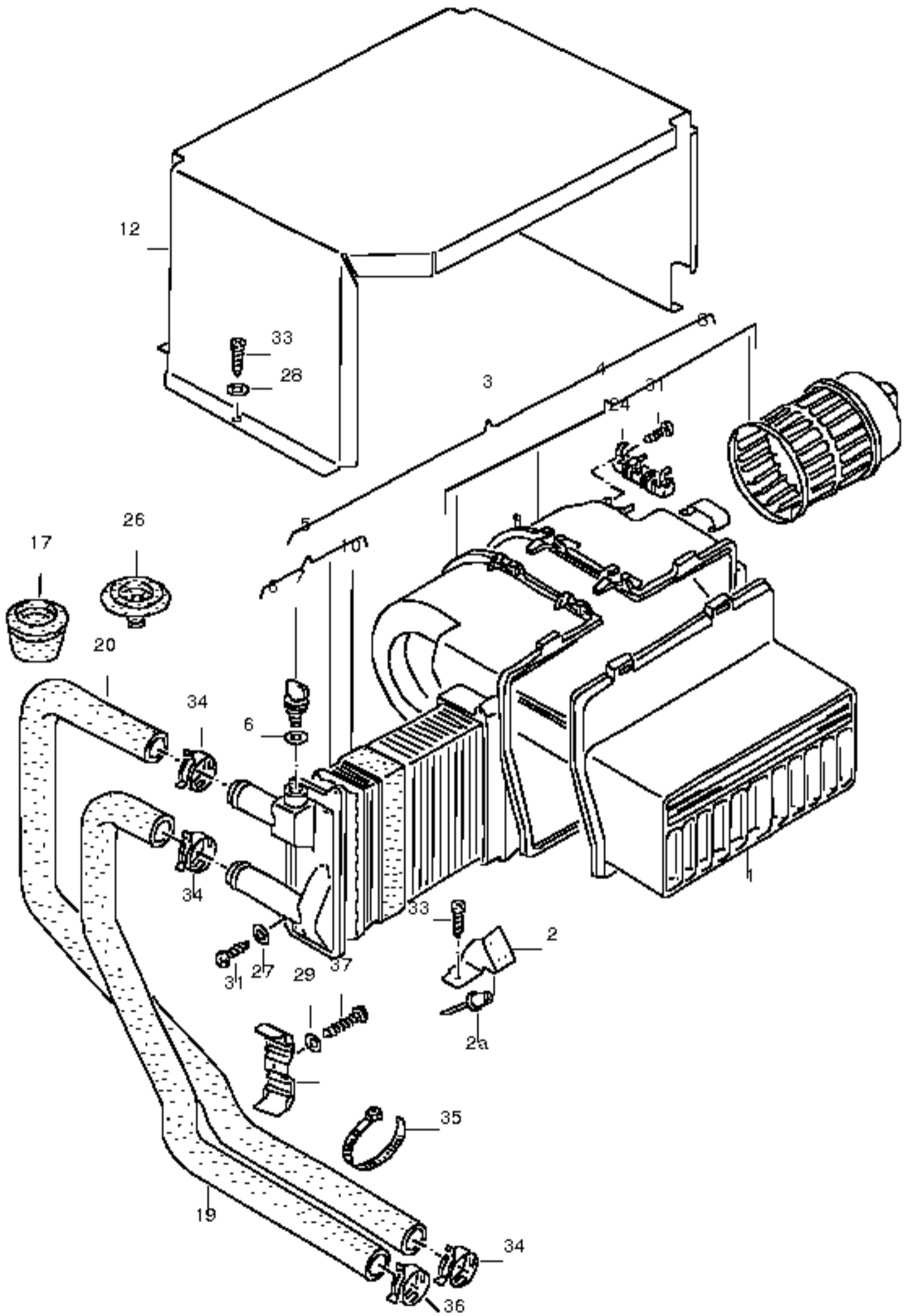
38 701907113
retainer
for vehicles with electronically regulated air condit.
for vehicles with 2nd evaporator
use if required: / N 013 957 5

39 N 01395010
oval head panel screw / B3,5X19
F 70-Y-000 973>>*
/ MULTIVAN II

40 N 90527501
oval hd. csk. self-tapp. screw / ST3,5X16-C
F 70-Y-000 973>>*
/ MULTIVAN II

41 N 90130801
fillister hd. bolt / E4,2X16
series resistor
additional heat exchanger
see illustration: / 963-10
switch for additional heater
fresh air and heater controls
see illustration: / 963-10

blower control
for vehicles with electronically regulated air condit.
for vehicles with 2nd evaporator
see illustration: / 963-10



additional heater in passenger compartment / double cab

1 253265581
air distribution housing

2 255265583
retainer / left

(2) 255265584
retainer / right

2A N 0162171
cup rivet / A3,2X12,5

4 867819015A
blower

5 729819032
heat exchanger

6 867819037
seal

7 861819039
bleeder screw

8 321819059
clips

10 321819109
gasket / 575X10X5MM

(11) 701819379A
retainer

(12) 729819349A
covering

17 729819872
grommet

(19) 729819895A
water hose / feed

(20) 729819896A
water hose / return

24 867959131
resistor

26 147971915
grommet / 39,5/8

27 N 0115227
washer / A4,3X9X0,8

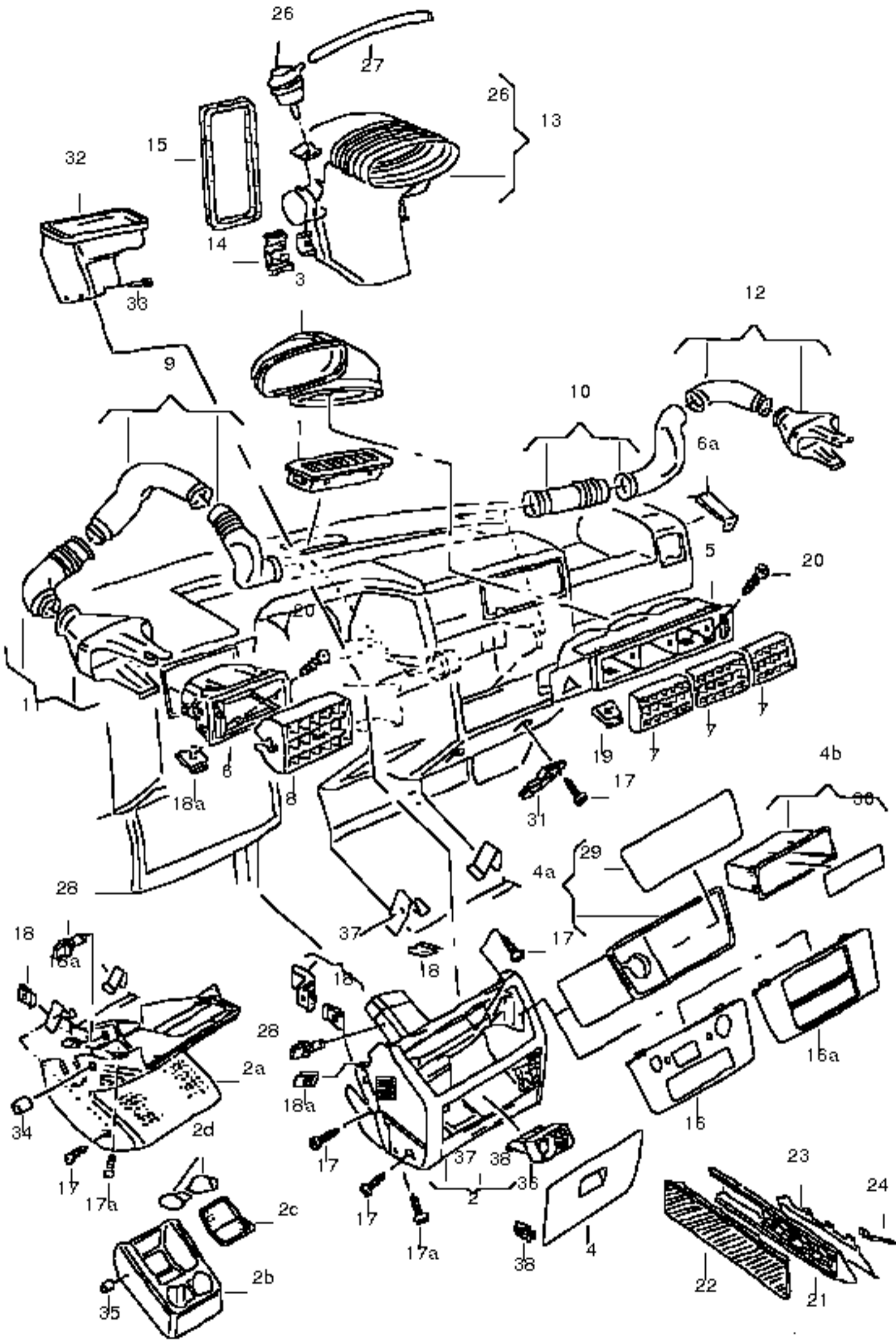
28 N 01152318
washer / A5,3X10X1

31 N 0139622
oval head panel screw / ST3,9X16-C

33 N 0139705
oval head panel screw / B4,8X9,5

34 N 0164031
spring-type clip / 27

35 N 0209022
cable tie / 6X246



air and footwell heater ducts, air hoses and vents / 4 cylinder: / AAC,ABL

F 70-1-000 001>>* / 5 cylinder: / AET,AEU,AVT,
/ diesel eng.: / ACV,AJA,AJT, / AHY,AGX,AYC, / AYY,
/ autmatic: / AUF,
/ 6 cylinder: / AMV

1 701819071
air vent / left
701819071 E91 mistral (grey)

(1) 701819072
air vent / right
701819072 E91 mistral (grey)

(1) 705819071
air vent / left
for models with padded dashboard
705819071 E91 mistral (grey)
705819071 J51 lagoon

(1) 705819072
air vent / right
for models with padded dashboard
705819072 E91 mistral (grey)
705819072 J51 lagoon

(2) 7D1815141G
footwell vent with shelf / lhd / AYC,AYY,ABL, / AAC,AET,AVT,
for vehicles with manually regulated heater / AEU,AJA,ACV, / AUF,AJT
7D1815141G 01C satin black
7D1815141G E91 mistral (grey)

(2) 7D1815141G
footwell vent with shelf
for vehicles with manually regulated heater
mounting for rifle bracket / G36
F 70-1-109 905>>*70-2-090 000* / lhd
see illustration: / 819-31 POS.2A
7D1815141G 01C satin black
7D1815141G E91 mistral (grey)

(2) 7D1815141F
footwell vent with shelf
for vehicles with manually regulated heater
for vehicles with cd-changer or trip recorder
and/or mounting for rifle bracket / G36
F >> 70-1-109 904* / lhd / ABL,AAC,AET,
/ AVT,AEU,AJA,
/ ACV,AUF,AJT
7D1815141F 01C satin black

(2) 7D1815141H
footwell vent with shelf / lhd / AYC,AYY
for vehicles with manually regulated heater
for vehicles with cd-changer or trip recorder
F 70-1-109 905>>* / lhd / ABL,AAC,AET,
/ AVT,AEU,AJA,
/ ACV,AUF,AJT
7D1815141H 01C satin black
7D1815141H E91 mistral (grey)

(2) 7D1815141H
footwell vent with shelf
for vehicles with manually regulated heater
mounting for rifle bracket / G36
see illustration: / 819-31 POS.2A
F 70-1-109 905>>*70-2-090 000* / lhd
7D1815141H 01C satin black
7D1815141H E91 mistral (grey)

(2) 7D1815141F
footwell vent with shelf
taxi equipment
for vehicles with manually regulated heater
F >> 70-1-109 904* / lhd / ABL,AAC,AET,
/ AVT,AEU,AJA,
/ ACV,AUF,AJT
7D1815141F 01C satin black

(2) 7D1815141H
footwell vent with shelf / lhd / AYC,AYY
taxi equipment
for vehicles with manually regulated heater
F 70-1-109 905>>* / lhd / ABL,AAC,AET, / AVT,AEU,AJA, / ACV,AUF,AJT
7D1815141H 01C satin black
7D1815141H E91 mistral (grey)

(2) 7D1816141J
footwell vent with shelf / lhd / AHY,AMV,AXG
for vehicles with manually regulated heater
7D1816141J 01C satin black
7D1816141J E91 mistral (grey)

(2) 7D1816141J
footwell vent with shelf / lhd
for vehicles with air condit.
7D1816141J 01C satin black
7D1816141J E91 mistral (grey)

(2) 7D1816141K
footwell vent with shelf / lhd / AHY,AMV,AXG
for vehicles with manually regulated heater
for vehicles with cd-changer
or trip recorder
7D1816141K 01C satin black
7D1816141K E91 mistral (grey)

(2) 7D1816141K
footwell vent with shelf / lhd / AHY,AMV,AXG
taxi equipment
for vehicles with manually regulated heater
7D1816141K 01C satin black
7D1816141K E91 mistral (grey)

(2) 7D1816141K
footwell vent with shelf / lhd
taxi equipment
for vehicles with air condit.
7D1816141K 01C satin black
7D1816141K E91 mistral (grey)

(2) 7D1816141K
footwell vent with shelf / lhd
for vehicles with air condit.
for vehicles with cd-changer or trip recorder
7D1816141K 01C satin black
7D1816141K E91 mistral (grey)

(2A) 7D1819151A
footwell vent
mounting for rifle bracket / G36
for vehicles with manually regulated heater
F 70-2-090 001>>* / lhd
7D1819151A 01C satin black
7D1819151A E91 mistral (grey)

- 7D2819582B
cover under dashboard / rhd
(drivers side)
central electrics
see illustration: / 863-00 POS.25

3 7D1819389
air guide / center lhd / ABL,AAC,AUF
/ AET,AEU,AJA,
/ ACV,AJT,AVT,
/ AYY

3 7D1819389
air guide / center lhd / AVT
air guide / center lhd / AHY,AMV,AXG
for vehicles with manually regulated heater
see: / POS.NR.(13)

(3) 7D2819389
air guide / center rhd

4 7D0819422
cover / lhd
7D0819422 01C satin black
7D0819422 E91 mistral (grey)

(4) 7D0819422A
cover / lhd
for vehicles with cd-changer
7D0819422A 01C satin black
7D0819422A E91 mistral (grey)

4A 7D0858337B
shelf/stowage compartment / lhd
7D0858337B 01C satin black

4B 7D0858337C
shelf/stowage compartment / lhd
for vehicles with electronic differential lock -edl-
air cleaner service indicator
for high volume horn
trip recorder
cd-changer
7D0858337C 01C satin black

(5) 7D1819703B
housing for air vent / center lhd
7D1819703B 01C satin black

(5) 7D2819703B
housing for air vent / center rhd
7D2819703B 01C satin black

(6) 7D1819703
housing for air vent
7D1819703 01C satin black / lhd

(6) 7D2819703
housing for air vent
7D2819703 01C satin black / rhd

(7) 701819707B
rotary insert / center
701819707B 01C satin black

(8) 701819707C
rotary insert
701819707C 01C satin black

9 701819715
air guide / left lhd / ABL,AAC,AUF,
/ AET,AEU,AJA,
/ ACV,AJT,AVT,
/ AYC,AYY

(9) 701820715
air guide / left lhd / AHY,AMV,AXG
for vehicles with manually regulated heater

(9) 702819715
air guide / left rhd
for vehicles with manually regulated heater

(9) 701820715
air guide / left lhd
for vehicles with air condit.

(9) 7D2820723
air guide / left rhd
for vehicles with air condit.

10 701819716
air guide / right lhd / ABL,AAC,AUF,
for vehicles with manually regulated heater / AET,AEU,AJA,
/ ACV,AJT,AVT,
/ AYC,AYY

(10) 7D1820724
air guide / right lhd / AHY,AMV,AXG
for vehicles with manually regulated heater

(10) 702819716
air guide / right rhd
for vehicles with manually regulated heater

(10) 7D1820724
air guide / right lhd
for vehicles with air condit.

(10) 702820716
air guide / right rhd
for vehicles with air condit.

(11) 701819691A
air guide / left lhd

(11) 702819691A
air guide / left rhd

(12) 701819692A
air guide / right lhd

(12) 702819692A
air guide / right rhd

(13) 7D1820363
air guide / center lhd / ABL,AAC,AUF,
for vehicles with manually regulated air conditioner / AET,AEU,AJA,
/ ACV,AJT,AVT,
/ AYC,AYY

(13) 7D1820363
air guide / center lhd / AHY,AMV,AXG
for vehicles with manually regulated heater

(13) 7D2820363
air guide / center rhd
for vehicles with manually regulated air conditioner

(13) 7D1820363A
air guide / center lhd
for vehicles with electronically regulated air condit.

(13) 7D2820363A
air guide / center rhd
for vehicles with electronically regulated air condit.

(14) 171201969
hexagon nut, shouldered / 5 / ABL,AAC,AUF,
for vehicles with air condit. / AET,AEU,AJA,
/ ACV,AJT,AVT,
/ AYC,AYY

(14) 171201969
hexagon nut, shouldered / 5 / AHY,AMV,AXG
for vehicles with manually regulated heater

15 321820061D
gasket / 1220X12X10 / ABL,AAC,AUF,
for vehicles with air condit. / AET,AEU,AJA,
shorten to: / 570MM / ACV,AJT,AVT, / AYC,AYY

15 321820061D
gasket / 1220X12X10 / AHY,AMV,AXG
for vehicles with manually regulated heater
shorten to: / 570MM

(16) 7D0819144
trim / lhd
taxi equipment
7D0819144 01C satin black

(16) 7D0819144K
trim / lhd
for differential lock
7D0819144K 01C satin black

(16) 7D0819144L
trim / lhd
for high volume horn
7D0819144L 01C satin black

(16) 7D0819144M
trim / lhd
for differential lock
for high volume horn
7D0819144M 01C satin black

(16) 7D0819144N
trim / lhd
for dusty regions
air cleaner service indicator
7D0819144N 01C satin black

(16) 7D0819144P
trim / lhd
for differential lock
air cleaner service indicator
for dusty regions
7D0819144P 01C satin black

(16) 7D0819144Q
trim / lhd
for high volume horn
air cleaner service indicator
for dusty regions
7D0819144Q 01C satin black

(16) 7D0819144R
trim / lhd
for differential lock
for high volume horn
air cleaner service indicator
for dusty regions
7D0819144R 01C satin black

16A 7D0819144B
trim / lhd
for vehicles with cd-changer or trip recorder
7D0819144B 01C satin black

16A 7D0819144B
trim
for vehicles with cd-changer
or trip recorder and/or mounting for rifle bracket / G36
F >> 70-2-090 000* / lhd
7D0819144B 01C satin black

17 N 90241203
fillister hd. bolt / M4X20

17A N 90448401
fillister hd. bolt / M4X15

(18) N 90650101
snap nut / 3,1X16,5X11

18A N 90512701
snap nut / B3,2X27,2X24

19 N 90282501
snap nut / 3,1X13X11,5

20 N 90446801
panel screw / 4X15

21 707819465
frame / left
(21) 707819466
frame / right

22 707819467
vent trim
707819467 01C satin black

23 707819469
non-return flap

24 707819477
limit stop

25 N 01396626
oval head panel screw / 4,2X13STC

26 357820672
vacuum unit / lhd
air guide
for vehicles with electronically regulated air condit.

- N 0180571
hose in coils of 5m 'order unit 5' / 2,5X1,75
for vehicles with electronically regulated air condit.
shorten to: / 740MM

28 701907543
temperature sensor
for vehicles with electronically regulated air condit.

29 7D0858577D
rubber packing
only for: / 7D0 858 337 B
7D0858577D 01C satin black

30 7D0858577E
rubber packing / lhd
only for: / 7D0 858 337 C
7D0858577E 01C satin black

31 7D0819595D
retainer
footwell vent

(32) 701819063
intermediate piece / lhd

32 701820063
intermediate piece / lhd / air condit.

(32) 702819063
intermediate piece / rhd

(32) 702820063
intermediate piece / rhd / air condit.

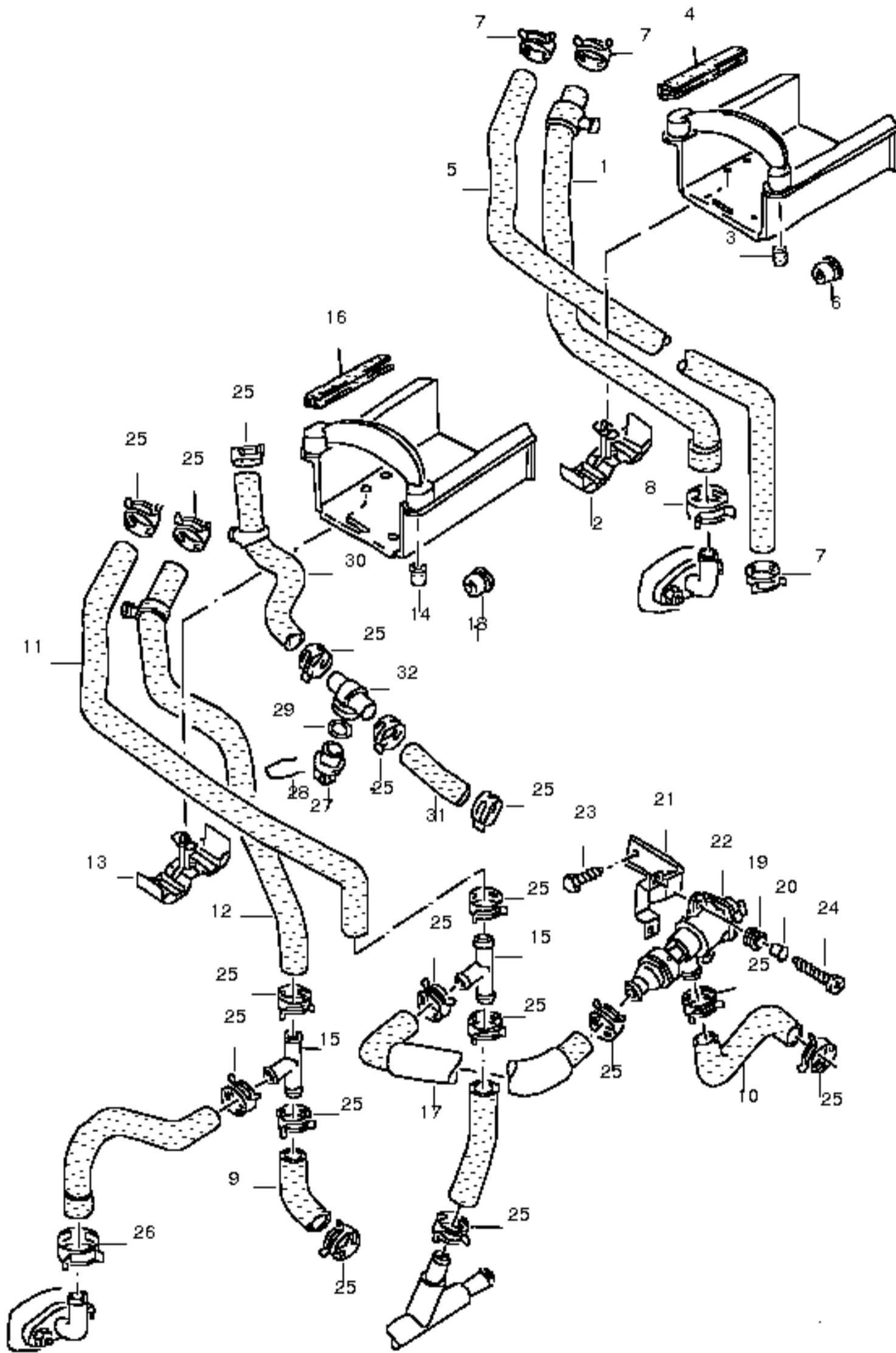
33 N 0139791
oval head panel screw / B5,5X16

34 7D0820067
bush
mounting for rifle bracket / G36
F 70-2-090 001>>* / lhd

36 7D0820067A
bush
tachograph

37 7D0819595E
retainer
F 70-1-109 905>>*

38 1C0867388A
clips



air conduit.

water hoses

F >> 70-X-080 000*

air conduit.

water hoses

F >> 70-X-080 000*

for vehicles with air conduit.

F 70-X-080 001>>*

see illustration: / 121-65 / 819-24/29

see illustration: / 819-22 POS.(5)

(flange > heat exchanger)

2 701819379A

retainer / AET,AEU,AJA, / ACV

(2) 7D0819379

retainer / AES

3 701819394

protective cap

4 701947149A

beading / 100MM

5 701820053

water hose / return

6 701820992

plug

7 N 0164031

spring-type clip / 27

8 N 0164031

spring-type clip / 27

air conduit.

water hoses

for vehicles with 2nd heat exchanger

F >> 70-X-080 000*

9 701819371A

water hose / feed

(heat exchanger > water pipe)

10 701819372G

water hose / return

(heater valve > heat exchanger)

11 701819373L

water hose / return

(heater valve > heat exchanger) / lhd

12 701819378C

water hose / feed

/ lhd

13 701819379A

retainer / AET,AEU,AJA, / ACV

(13) 7D0819379

retainer / AES

14 701819394

protective cap

15 701819876

t-piece

16 701947149A

beading / 100MM

(17) 701820588B

water hose / return

(heater valve > water pipe)

18 701820992

plug

19 701820997

grommet

20 701820998

sleeve

21 701820999A

retainer

(21) 701820999B

retainer

22 701963375

valve

electric

- 028906283

solenoid change-over valve / black

for vehicles with electronically regulated air conduit.

(23) N 0139655

oval head panel screw / B4,2X9,5

24 N 0140963

oval hd. csk. self-tapp. screw / ST4,2X22-C

25 N 0164031

spring-type clip / 27

26 N 0164041

spring-type clip / 32

27 251919501D

temperature sender / 2 pin

for vehicles with electronically regulated air conduit. / green/black

/ 20MM

28 032121142

retaining spring

for vehicles with electronically regulated air conduit.

29 N 90316802

round seal / 19,6X3,6

for vehicles with electronically regulated air conduit.

30 701820379

water hose / feed

for vehicles with electronically regulated air conduit. / lhd

31 701820380

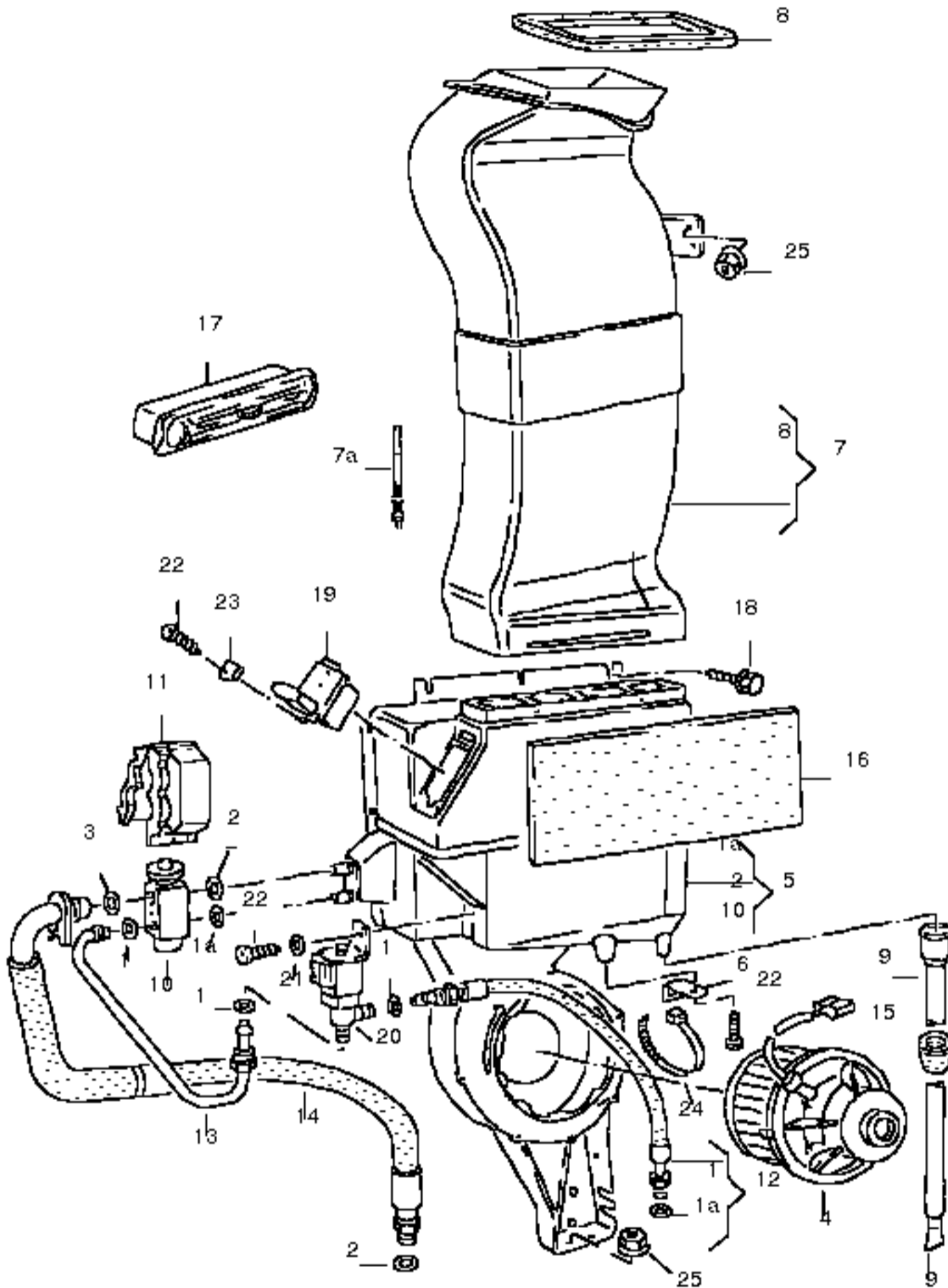
water hose / feed

for vehicles with electronically regulated air conduit. / lhd

32 4A0819497

t-piece

for vehicles with electronically regulated air conduit.



air distribution housing / rear

evaporator

blower

1 8A0260749AK

round seal / 7,6X11,16

(1A) 8E0260749

round seal / 10,8X1,82

(1A) 8E0260749

round seal / 10,8X1,82

F >> 70-Y-090 000*

only for: / 7D0 820 741

1A 7D0820749

seal / 10,80X1,78

F 70-Y-090 001>>*

only for: / 7D0 820 741

(2) 8E0260749D

round seal / 14X1,8

3 1J0820749B

round seal / 17X1,8

4 701819021B

blower

- 191819598

plug

(5) 7D0820121

evaporator

6 703820137

retainer

F >> 70-X-060 000*

(7) 703820157A

air duct

7A 701907543A

temperature sensor / G153

for vehicles with electronically regulated air condit.

(8) 7D0820190

gasket for air duct

9 703820637

water drain hose

(10) 701820679D

expansion valve

11 701898017

insulating piece

(12) 7D0820741

refrigerant hose

solenoid valve

refrigerant compressor

use if required: / 7D0 820 749

13 703820742A

refrigerant pipe

solenoid valve

expansion valve

(14) 7D0820743

refrigerant hose

(expansion valve > refrigerant compressor)

15 701820751B

grommet

16 -----

no longer available

17 703820951A

air vent

for vehicles with 2nd evaporator

F >> 70-1-072 000*

703820951A Y20 pearl grey

703820951A 8YS light beige

703820951A 5YX beige

(17) 7D0820951A

air vent

for vehicles with 2nd evaporator

F 70-1-072 001>>*

7D0820951A Y20 pearl grey

7D0820951A 8YS light beige

18 311821143

hex. hd. self-tap bolt (combi) / 6,5X21,5

19 701959263A

series resistance for fresh air and hot air blower / 1,9/0,92/0,26

(19) 1J0907521

blower control

for vehicles with electronically regulated air condit.

20 701959267

solenoid valve

refrigerant circuit

21 N 0115402

washer / A5,5X12,5X1,6

22 N 01396626

oval head panel screw / 4,2X13STC

23 N 0154592

snap nut / B4,2X9,8X8

24 N 0209022

cable tie / 6X246

F >> 70-X-060 000*

25 171201969

hexagon nut, shouldered / 5

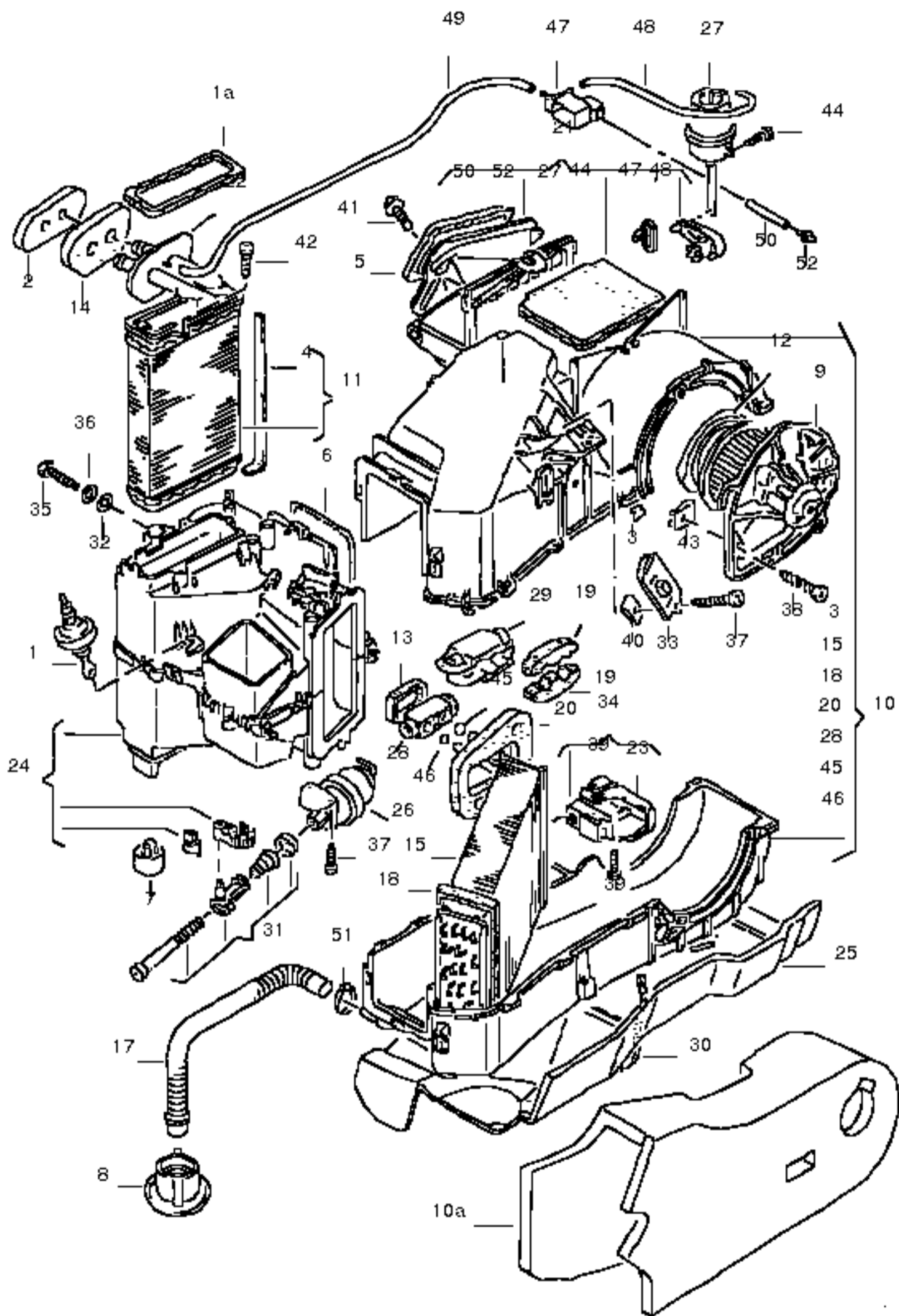
26 7D0820891

retainer

expansion valve

27 N 0199091

cheese head bolt / M5X35



air distribution housing / air conduit.

evaporator housing

evaporator

blower

1A 321819017

gasket / 680X8X10

2 1H0819019

gasket

3 321819059

clips

4 7D0819069

gasket / 810X25X6

shorten to: / 665MM

5 191820129

gasket / 550X12X6

6 191819370

gasket

(8) 1H0820119A

water drain valve

9 357820021

blower / lhd

(9) 358820021

blower / rhd

(10) 7D1820011A

evaporator housing / lhd

(10) 7D2820011A

evaporator housing / rhd

10A 701815083B

sound absorber / lhd / ACV,AUF,AYC, / AHY,AXG,AJT, / AYY

(10A) 702815083A

sound absorber / rhd / ACV,AUF,AYC,

air distribution housing / AJT,AYY

11 701820031

heat exchanger / lhd

(11) 702820031

heat exchanger / rhd

12 191820048

ring

13 321820061D

gasket / 1220X12X10

shorten to: / 95MM

14 701820099

gasket

heat exchanger

no longer available / lhd

no longer available / rhd

(17) 7D0820124

water drain pipe

18 191820129

gasket / 550X12X6

19 191820133

gasket / lhd

20 191820139

gasket

(21) 7D1820153A

intake shaft / lhd

for recirculated air operation possibility

(21) 7D2820153

intake shaft / rhd

22 191820281

reinforcement plate

23 191820298A

protective cap

24 7D1820351

connection box / lhd

(24) 7D2820351

connection box / rhd

(27) 7D1820625

vacuum unit / lhd

for recirculated air operation possibility

27 701820677

vacuum unit / rhd

for recirculated air operation possibility

(28) 701820679D

expansion valve / R134A

30 191820845

tensioning strap

31 191898013

mounting parts for vacuum unit

32 803955637

sealing washer

33 701959263A

series resistance for fresh air and hot air blower / 1,9/0,92/0,26

(34) 357820295B

thermostat with protective cap / E33

35 N 01021710

hexagonal head bolt / M6X20

36 N 0115476

washer / A6,5X14X1,6

37 N 0139655

oval head panel screw / B4,2X9,5

38 N 0139694

oval head panel screw / B4,8X16

39 N 0140993

oval hd. csk. self-tapp. screw / ST4,8X13-C

40 N 0154421

snap nut / B4,2X12,8X11

41 N 10080102

allen key head bolt (combi) / M6X25

42 N 90130801

fillister hd. bolt / E4,2X16

43 N 90276701

snap nut / ST4,8X14,25

(44) N 0102044

hexagonal head bolt / M4X10

(45) 8E0260749D

round seal / 14X1,8

(46) 8E0260749

round seal / 10,8X1,82

47 028906283

solenoid change-over valve / black

- N 0180571

hose in coils of 5m 'order unit 5' / lhd

/ 2,5X1,75

shorten to: / 1060MM

- N 0180571

hose in coils of 5m 'order unit 5' / rhd

/ 2,5X1,75

shorten to: / 150MM

shorten to: / 950MM

shorten to: / 50MM

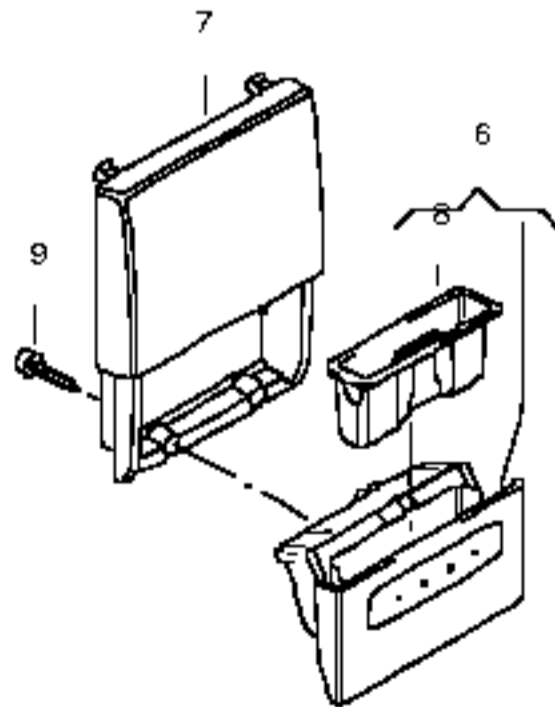
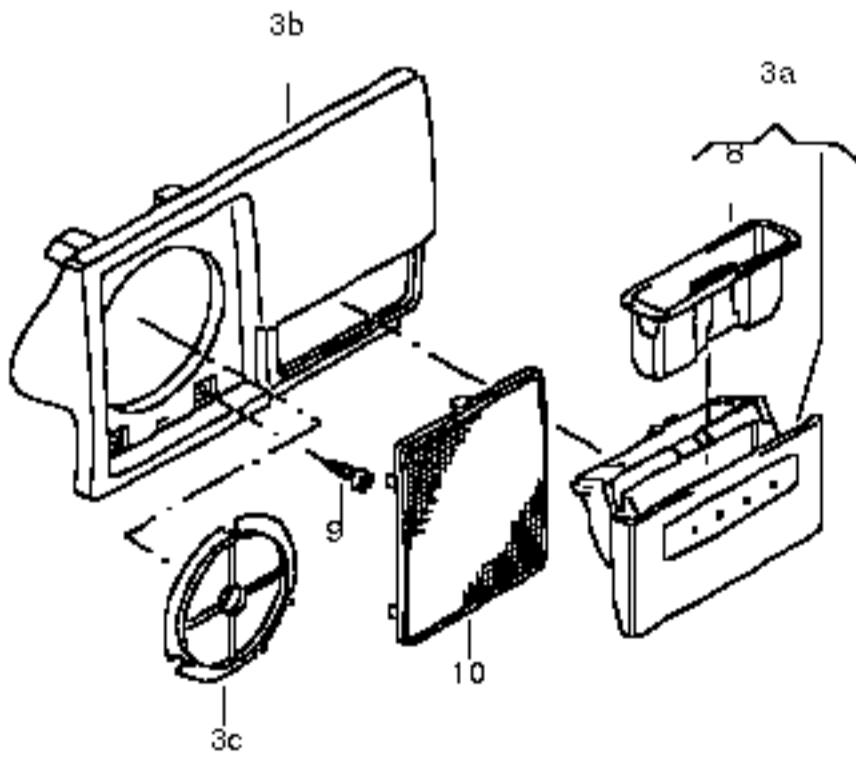
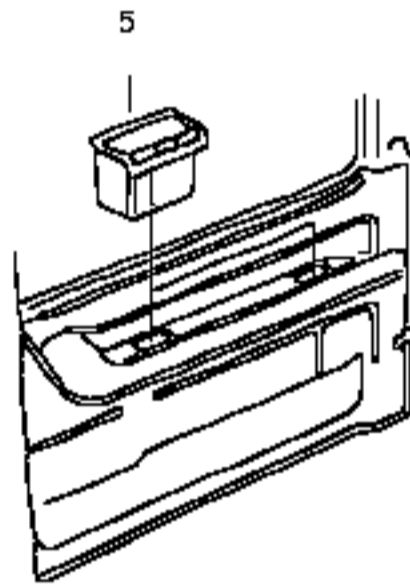
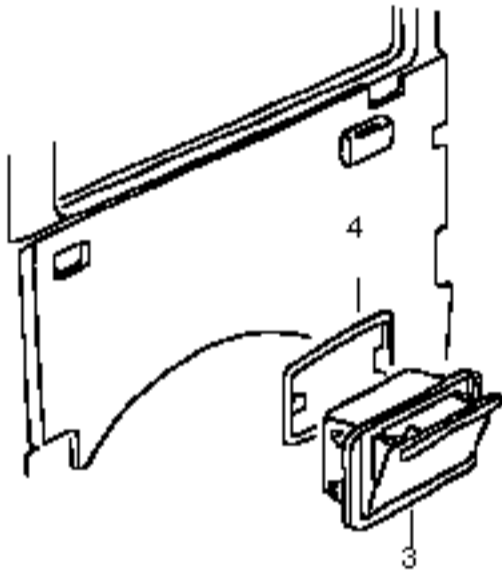
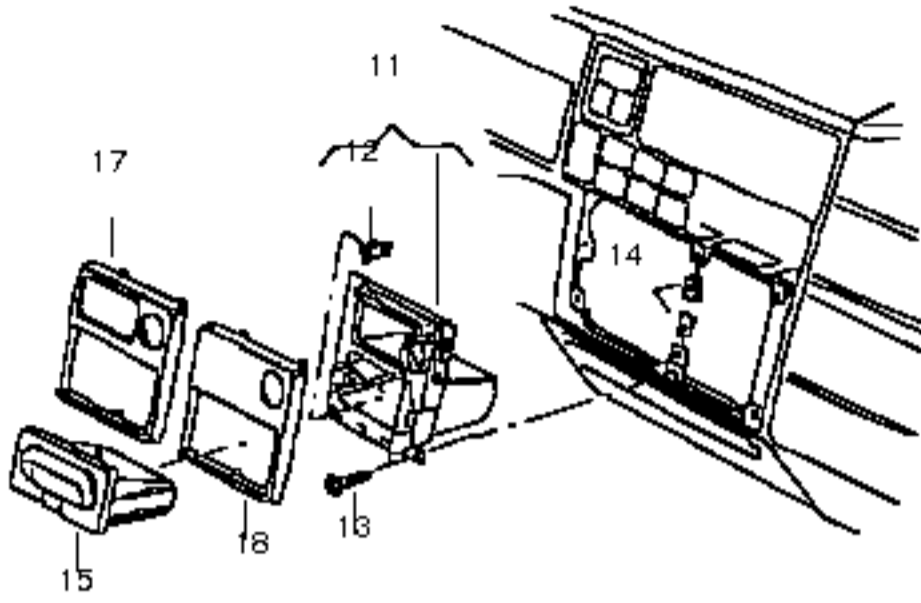
51 N 10098601

spring-type clip / 17

52 7D0819036

choke

for recirculated air operation possibility



ashtray
ashtray / centre/rear

3 811857405
ashtray
811857405 01C satin black

(3) 321857405
ashtray / MULTIVAN
321857405 01C satin black

3A 7D0857337A
ashtray / rear / MULTIVAN II / PR-FM9
7D0857337A 7DE flannel grey

- 7D0898413
repair kit / MULTIVAN II
ashtray / PR-FM9

3B 7D0857287
mounting for ashtray and loudspeaker / left rear / MULTIVAN II
/ PR-FM9
7D0857287 7DE flannel grey

3C 7D0857161
blind cover / MULTIVAN II
for models without loudspeaker / PR-FM9

4 281857441
base
to be used for: / 811 857 405
281857441 01C satin black

5 705857405
ashtray / center
705857405 01C satin black
705857405 28R light beige

6 7D0857337
ashtray / center / MULTIVAN II / PR-FM9
7D0857337 7DE flannel grey

- 7D0898413
repair kit / MULTIVAN II
ashtray / PR-FM9

7 7D0857963A
mounting for ashtray / left front / MULTIVAN II / PR-FM9
7D0857963A 7DE flannel grey

8 7D0857413
insert for ashtray / centre/rear / MULTIVAN II / PR-FM9
7D0857413 01C satin black

9 N 90422901
panel screw / 4,2X13 / MULTIVAN II
trim / PR-FM9

(9) N 90347402
oval head panel screw / E4X12-K
ashtray

10 7D0857227A
loudspeaker grille / left/right / MULTIVAN II / PR-FM9
7D0857227A U71 flannel grey

ashtray / front
F >> 70-X-050 348
F >> 70-XX048 165

11 7D0857305B
housing for ashtray
7D0857305B 01C satin black

12 1H0857327
glide piece

13 N 90448401
fillister hd. bolt / M4X15

14 N 90650101
snap nut / 3,1X16,5X11

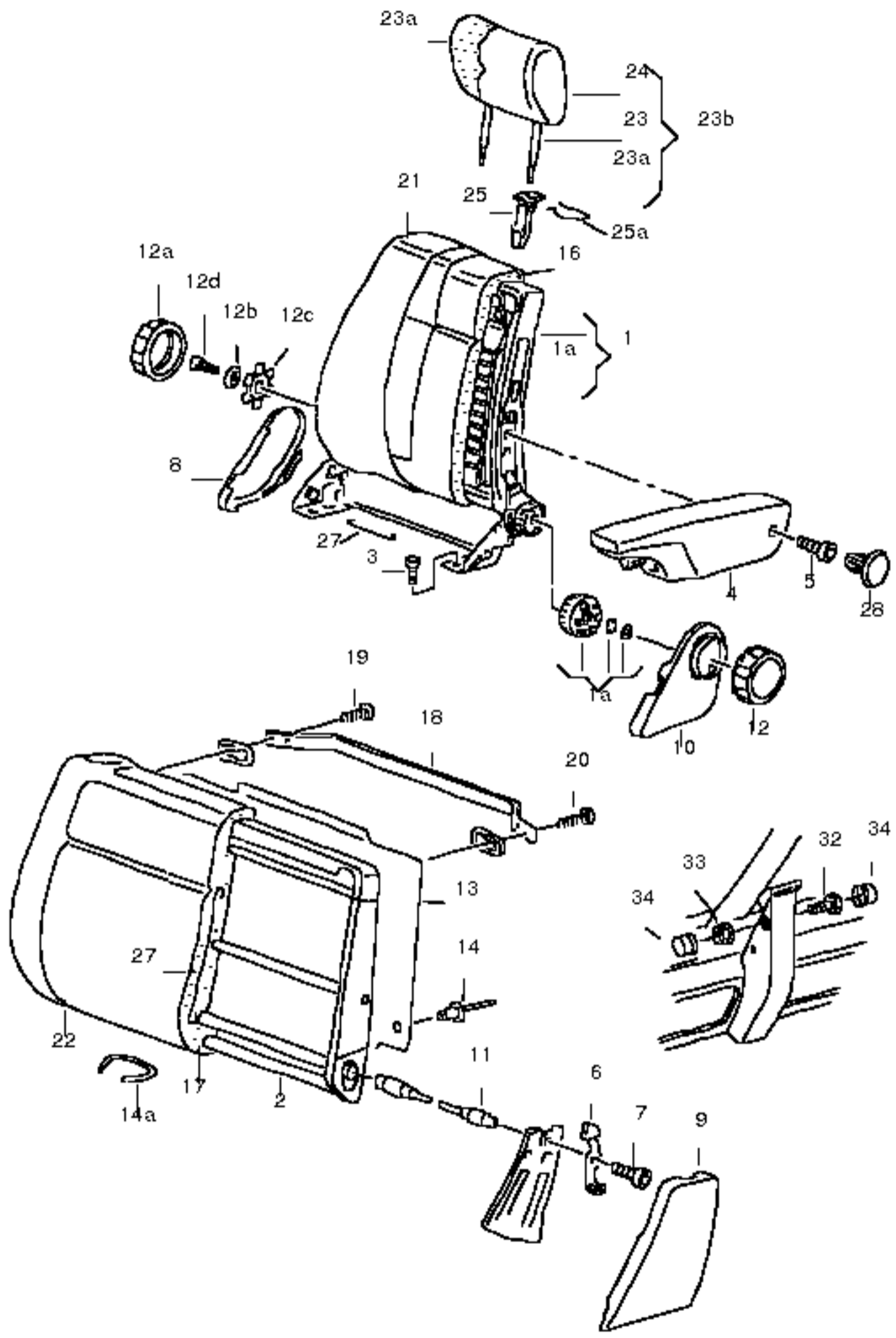
15 7D0857331B
ashtray
7D0857331B 01C satin black

17 7D1858197
covering
for models with supplementary heater
7D1858197 01C satin black

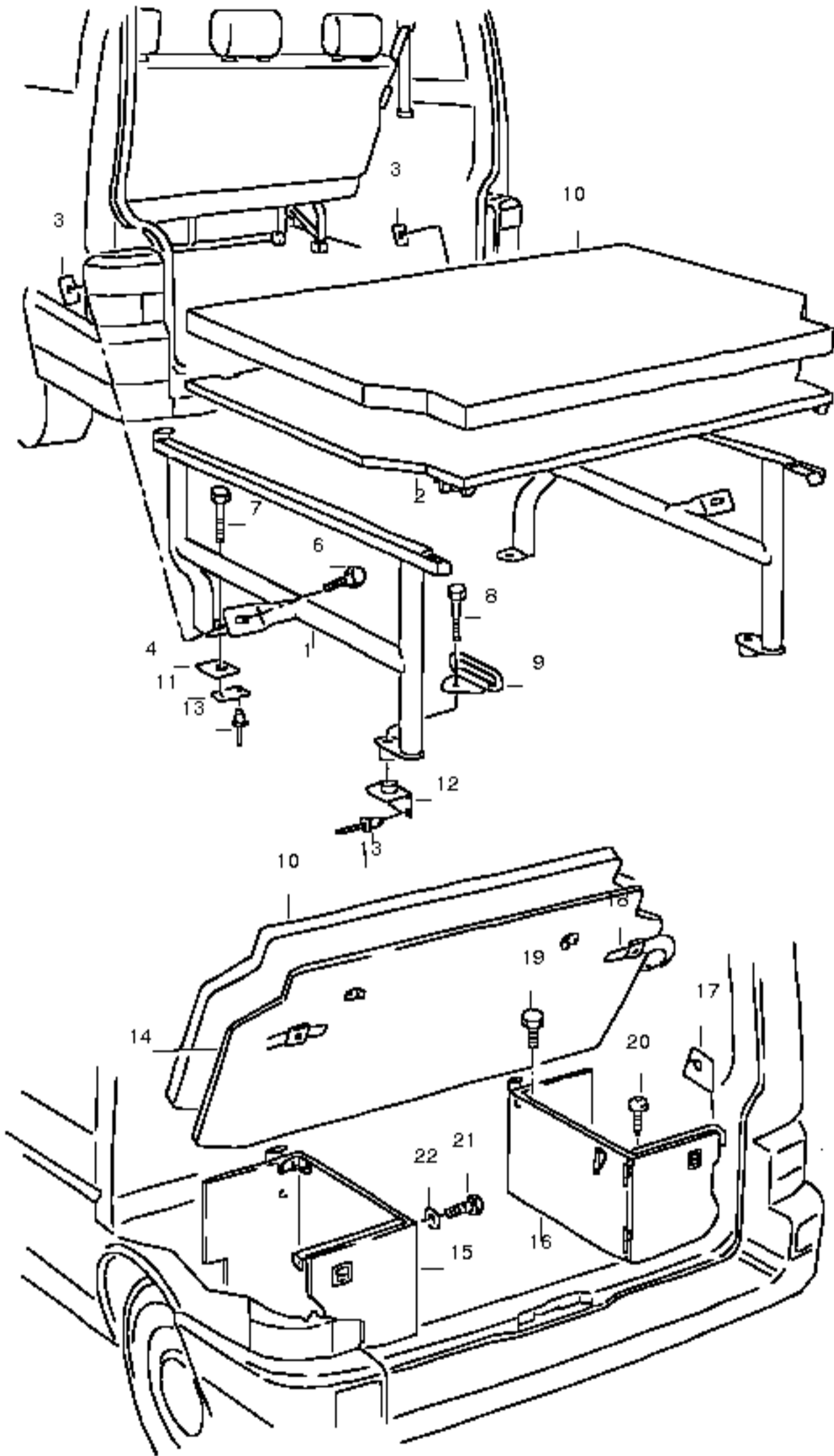
18 7D1858197A
covering
7D1858197A 01C satin black

ashtray / front
F 70-X-050 349>>>
F 70-XX048 166>>>
see illustration: / 857-00/-10

(15) 7D0857331A
ashtray
7D0857331A 01C satin black
see illustration: / 857-00/-10



- backrest / front
- head restraints
- (1) 701881045AD
frame - backrest with lumbar support / left/right
(prepared for armrest)
F>>> 70-2-200 000
- (1) 701881045AD
frame - backrest with lumbar support / left/right / PR-9WC
(prepared for armrest)
F 70-3-000 001>>>
- (1) 7D0881045I
frame - backrest with lumbar support / left a. right / PR-9WD/9WE
(prepared for armrest)
F 70-3-000 001>>>
- 1A 1H0881601
brake element
- (2) 7D0881046
backrest frame / 2 seater
- 3 N 0147392
allen key head bolt / M8X16
- 4 701881081B
armrest (cloth) / left / PR-N0A
701881081B EEM flannel grey / -BX
701881081B EEZ flannel grey / -AB
- (4) 701881082B
armrest (cloth) / right / PR-N0A
701881082B EEM flannel grey / -BX
701881082B EEZ flannel grey / -AB
- (4) 701881081C
armrest (cloth/leatherette) / left / PR-N0J
701881081C EEN dark grey / -BU
- (4) 701881081C
armrest (cloth/leatherette) / left / authority / PR-N0C
701881081C EEN dark grey / -LS
- (4) 701881082C
armrest (cloth/leatherette) / right / PR-N0J
701881082C EEN dark grey / -BU
- (4) 701881082C
armrest (cloth/leatherette) / right / authority / PR-N0C
701881082C EEN dark grey / -LS
- (4) 703881081J
armrest / left / PR-N2U/N2W
703881081J GWY lagoon / -TS
703881081J GWZ flannel grey / -TU
703881081J 9QH flannel grey / -TV
- (4) 703881082J
armrest / right / PR-N2U/N2W
703881082J GWY lagoon / -TS
703881082J GWZ flannel grey / -TU
703881082J 9QH flannel grey / -TV
- (4) 703881081E
armrest (cloth) / left / PR-N4N
703881081E FBH grey brown/cactus / -WL,XL
- (4) 703881082E
armrest (cloth) / right / PR-N4N
703881082E FBH grey brown/cactus / -WL,XL
- (4) 703881081H
armrest (cloth) / left / PR-N4V
703881081H E1F flannel grey / -WK
- (4) 703881082H
armrest (cloth) / right / PR-N4V
703881082H E1F flannel grey / -WK
- (4) 705881081B
armrest / left / PR-N0F
705881081B EEW flannel grey / -UF,BS
705881081B EEX sahara / -UG,BT
705881081B EEEY lagoon / -UE
- (4) 705881082B
armrest / right / PR-N0F
705881082B EEW flannel grey / -UF,BS
705881082B EEX sahara / -UG,BT
705881082B EEEY lagoon / -UE
- (4) 7D0881081
armrest (leather/leatherette) / left / PR-N1X
7D0881081 CLQ sahara / -VK
7D0881081 EQU lagoon / -VJ
7D0881081 ETU light beige / -VH
- (4) 7D0881082
armrest (leather/leatherette) / right / PR-N1X
7D0881082 CLQ sahara / -VK
7D0881082 EQU lagoon / -VJ
7D0881082 ETU light beige / -VH
- (4) 7D0881081B
armrest (cloth/leatherette) / left / PR-N0P
7D0881081B HQB flannel grey / -AQ
7D0881081B HQE lagoon / -AP
- (4) 7D0881082A
armrest (cloth/leatherette) / right / PR-N0P
7D0881082A HQB flannel grey / -AQ
7D0881082A HQE lagoon / -AP
- (4) 7D0881081C
armrest (cloth) / left / PR-N2N
7D0881081C 3EU flannel grey / -RW,RX,RY,RZ,
7D0881081C 3EU flannel grey / -22,51 / PR-N2Z
- (4) 7D0881082B
armrest (cloth) / right / PR-N2N
7D0881082B 3EU flannel grey / -RW,RX,RY,RZ,
7D0881082B 3EU flannel grey / -22,51 / PR-N2Z
- (4) 7D0881081T
armrest (cloth) / left / PR-N0U
7D0881081T 2EY flannel grey / -KQ
7D0881081T 30J lagoon / -KR
7D0881081T 4PP light beige / -KS
- (4) 7D0881082K
armrest (cloth) / right / PR-N0U
7D0881082K 2EY flannel grey / -KQ
7D0881082K 30J lagoon / -KR
7D0881082K 4PP light beige / -KS
- (4) 7D0881081AA
armrest (cloth) / left / PR-N2Z
7D0881081AA3EU flannel grey / -22
- (4) 7D0881082L
armrest (cloth) / right / PR-N2Z
7D0881082L 3EU flannel grey / -22
- (4) 7D0881081AB
armrest (cloth) / left / PR-N3D
7D0881081AB71B flannel grey / -UC
- (4) 7D0881082M
armrest (cloth) / right / PR-N3D
7D0881082M 71B flannel grey / -UC
- (4) 7D0881081AC
armrest (leather/leatherette) / left / PR-N7F/N2Z
7D0881081ACKWB light beige / -YR
7D0881081ACLQZ lagoon / -YQ
7D0881081ACLBN flannel grey (grained) / -79,80,89,90
- (4) 7D0881082N
armrest (leather/leatherette) / right / PR-N7F/N2Z
7D0881082N KWB light beige / -YR
7D0881082N LQZ lagoon / -YQ
7D0881082N LBN flannel grey (grained) / -79,80,89,90
- (4) 7D0881081AD
armrest (leatherette) / left / PR-N1S
7D0881081AD5PE light beige / -NA
- (4) 7D0881082P
armrest (leatherette) / right / PR-N1S
7D0881082P 5PE light beige / -NA
- (4) 7D0881081AF
armrest (cloth) / left / PR-N2Z
7D0881081AFPAD flannel grey / -41
7D0881081AFPAL flannel grey/blue / -44
7D0881081AFPAP flannel grey/red / -43
- (4) 7D0881082R
armrest (cloth) / right / PR-N2Z
7D0881082R PAD flannel grey / -41
7D0881082R PAJ flannel grey/blue / -44
7D0881082R PAP flannel grey/red / -43
- (4) 7D0881081AG
armrest (cloth) / left
7D0881081AGRAH fresco green/flannel grey / -39
- (4) 7D0881082S
armrest (cloth) / right
7D0881082S RAH fresco green/flannel grey / -39
- 5 N 0147263
allen key head bolt / M8X30
- 7 N 0147392
allen key head bolt / M8X16
- (8) 701881480B
trim without hole
701881480B 01C black
- 9 701881477A
lining
for dual passenger seat
701881477A 01C satin black
- (9) 701881478A
lining
for dual passenger seat
701881478A 01C satin black
- (10) 701881477C
trim with hole / left
701881477C 01C satin black
- 12 357881671
adjustment knob
357881671 4FB black
- 12A 357881671
adjustment knob
for vehicle with adjustable lumbar support
357881671 4FB black
- 12B 171881499
dished washer
- 12C 357881687
retaining plate f. rotary knob
- 12D N 0141395
fillister hd. bolt / M6X12
- 13 7D0881755
rear panel trim
for dual passenger seat
- 14 N 0161992
pop rivet / A3,2X10X8
- 14A N 0152611
clips / 20X1,8
- 16 701881775B
padding for backrest
- 17 7D0881776A
padding for backrest
for dual passenger seat
F >>> 70-X-060 000*
- (17) 7D0881776B
padding for backrest
for dual passenger seat
F 70-X-060 001>>>*
- 18 705881797
grab handle
705881797 2DQ flannel grey
705881797 9FX lagoon
705881797 9XW sahara
705881797 Q75 light beige
- 19 N 0139705
oval head panel screw / B,4,8X9,5
- 20 N 0439351
oval head panel screw / B,6,3X38-C
- 21 703883455BD
703883455BDEEK flannel grey / -LS,MA
- (21) 701881805Q
backrest cover (leatherette) / PR-N0C
701881805Q 9XW sahara / -NB
- (21) 701881805M
backrest cover (cloth/leatherette) / PR-N0J
701881805M EEN dark grey / -BU
- (21) 703883455AP
backrest cover (cloth) / PR-N0A
703883455APEEZ flannel grey / -BX
703883455APEEZ flannel grey / -AB
- (21) 7D1883455A
backrest cover (cloth) / PR-N2W
7D1883455A GWY lagoon / -TS
7D1883455A GWZ flannel grey / -TU
7D1883455A 9QH flannel grey / -TV
- (21) 703881805N
backrest cover (cloth) / PR-N4N
703881805N FBH grey brown/cactus / -WL,XL
- (21) 7D1883455
backrest cover (cloth) / PR-N4V
7D1883455 E1F flannel grey / -WK
- (21) 705881805H
backrest cover (cloth) / PR-N0F
705881805H EEW flannel grey / -BS,UF
705881805H EEX sahara / -BT,UG
705881805H EEEY lagoon / -UE
- (21) 7D0881805BD
backrest cover (leather/leatherette) / PR-N1X
backrest heater element
7D0881805BDCLQ sahara / -VK
7D0881805BDEQU lagoon / -VJ
7D0881805BDETU light beige / -VH
- (21) 7D0881805AP
backrest cover (leather/leatherette) / PR-N7F
backrest heater element
7D0881805APKW light beige / -YR
7D0881805APLQZ lagoon / -YQ
- (21) 7D0881805AQ
backrest cover (leatherette) / PR-N1S
7D0881805AQ5PE light beige / -NA
- (21) 7D0881805AH
backrest cover (cloth/leatherette) / PR-N0P
7D0881805AHHQA flannel grey / -AQ
7D0881805AHHQD lagoon / -AP
- (21) 7D0881805AJ
backrest cover (cloth) / PR-N0U
7D0881805AJHQH lagoon / -KR
7D0881805AJHYD light beige / -KS
7D0881805AJHYE flannel grey / -KQ
- (21) 7D0881805AK
backrest cover (cloth) / PR-N2N
7D0881805AKHQ flannel grey/green / -RY
7D0881805AKHQ flannel grey/red / -RX
7D0881805AKHQ flannel grey/blue / -RZ
7D0881805AKHQY flannel grey/dark grey / -RW
- (21) 7D0881805AM
backrest cover (cloth) / PR-N2Z
7D0881805AMHRD flannel grey/blue / -22
- (21) 7D0881805AN
backrest cover (cloth) / PR-N3D
7D0881805ANKTH flannel grey / -UC
- (21) 7D0881805AR
backrest cover (cloth) / PR-N2Z
7D0881805ARMBN turquoise/flannel grey / -51
- (21) 7D0881805BF
backrest cover (cloth) / PR-N2Z
7D0881805BFPAC flannel grey / -41
7D0881805BFPAN flannel grey/blue / -44
7D0881805BFPAN flannel grey/red / -43
- (21) 7D0881805BH
backrest cover (leather/leatherette) / PR-N7F
7D0881805BHQEH flannel grey / -79
7D0881805BHRPV flannel grey / -89
- (21) 7D0881805BK
backrest cover (cloth) / PR-N2Z
7D0881805BKQVN fresco green/flannel grey / -39
- (21) 7D0881805BG
backrest cover (leather/leatherette) / PR-N2Z
7D0881805BGQEG flannel grey / -80
- (21) 7D0881805BL
backrest cover (leather/leatherette) / PR-N2Z
7D0881805BLRPW flannel grey / -90
- (22) 7D0881806AE
backrest cover (cloth/leatherette) / 2 seater / PR-N0P
7D0881806AEHQD flannel grey / -AQ
7D0881806AEHQD lagoon / -AP
- (22) 7D0881806AF
backrest cover (cloth) / 2 seater / PR-N0U
7D0881806AFHQH lagoon / -KR
7D0881806AFHYD light beige / -KS
7D0881806AFHYD flannel grey / -KQ
- (22) 7D0881806D
backrest cover (leatherette) / 2 seater / PR-N0C
7D0881806D EEK flannel grey / -LS,MA
7D0881806D 9XW sahara / -NB
- (22) 7D0881806E
backrest cover (cloth) / 2 seater / PR-N0A
7D0881806E EEM flannel grey / -BX
7D0881806E EEZ flannel grey / -AB
- (22) 7D0881806F
backrest cover (cloth) / 2 seater / PR-N0F
7D0881806F EEW flannel grey / BS,UF
7D0881806F EEX sahara / BT,UG
7D0881806F EEEY lagoon / UE
- (22) 7D0881806G
backrest cover (cloth/leatherette) / 2 seater / PR-N0J
7D0881806G EEN dark grey / -BU
- 23 3A0881905
head restraint, adjustable
guide rod lengthen / 165MM
F>>> 70-1-200 000
- (23) 703881905C
head restraint
F>>> 70-1-200 000
- (23) 7D0881905
head-rest, height adjustment
F 70-2-000 001>>>
- (23) 7D0881905A
head restraint, height- and rake adjustment
F 70-2-000 001>>>
- 23A 357881931D
padding for head restraint
F>>> 70-1-200 000 / GL
- (23A) 357881931
padding for head restraint
F>>> 70-1-200 000
- (23A) 7D0881931
padding for headrest, height adjustment
F 70-2-000 001>>>
- (23A) 7D0881931A
padding for head restraint, height- and rake adjustment
F 70-2-000 001>>>
- 23B 701881717
head restraint / leatherette
for models with partition
701881717 U71 flannel grey / -BU,BX,LS
- 24 701881921B
cover for head restraint (leatherette) / PR-N0C/NOJ
701881921B 7EJ flannel grey / -LS,MA,BU
- (24) 701881921D
cover for head restraint (cloth/leatherette) / PR-N0A
701881921D EEM flannel grey / -BX
701881921D EEZ flannel grey / -AB
- (24) 7D0881921B
head restraint cover (cloth) / PR-N2W
7D0881921B GWY lagoon / -TS
7D0881921B GWZ flannel grey / -TU
7D0881921B 9QH flannel grey / -TV
- (24) 703881921H
head restraint cover (cloth) / PR-N4N
703881921H FBH grey brown/cactus / -WL,XL
- (24) 7D1881921
head restraint cover (cloth) / PR-N4V
7D1881921 E1F flannel grey / -WK
- (24) 7D0881921A
head restraint cover (cloth) / PR-N0F
7D0881921A EEW flannel grey / -BS,UF
7D0881921A EEX sahara / -UG
7D0881921A EEEY lagoon / -UE
- (24) 7D0881921K
head restraint cover (leather) / PR-N1X
7D0881921K G90 lagoon / -VJ
7D0881921K P53 sahara / -VK
7D0881921K R08 light beige / -VH
- (24) 7D0881921L
cover for head restraint (cloth/leatherette) / PR-N0P
7D0881921L HQB flannel grey / -AQ
7D0881921L HQE lagoon / -AP
- (24) 7D0881921M
head restraint cover (cloth) / PR-N0U
7D0881921M 2EY flannel grey / -KQ
7D0881921M 30J lagoon / -KR
7D0881921M 4PP light beige / -KS
- (24) 7D0881921N
head restraint cover (cloth) / PR-N2N
7D0881921N HQN flannel grey/green / -RY
7D0881921N HQS flannel grey/red / -RX
7D0881921N HQW flannel grey/blue / -RZ
7D0881921N HRA flannel grey/dark grey / -RW
- (24) 7D0881921P
head restraint cover (cloth) / PR-N2N
7D0881921P HQN flannel grey/green / -RY
7D0881921P HQS flannel grey/red / -RX
7D0881921P HQW flannel grey/blue / -RZ
7D0881921P HRA flannel grey/dark grey / -RW
- (24) 7D0881921Q
head restraint cover (cloth) / PR-N2Z
7D0881921Q HRC flannel grey/blue / -22
7D0881921Q MBP turquoise/flannel grey / -51
- (24) 7D0881921R
head restraint cover (cloth) / PR-N3D
7D0881921R 71B flannel grey / -UC
- (24) 7D0881921S
head restraint cover (leather) / PR-N7F
7D0881921S 72E light beige / -YR
7D0881921S 79M lagoon / -YQ
- (24) 7D0881921T
cover for head restraint (leatherette) / PR-N1S
7D0881921T 5PE light beige / -NA
- (24) 7D0881921AB
cover for head restraint (cloth/leatherette) / PR-N0A
7D0881921ABEEM flannel grey / -BX
- (24) 7D0881921AC
cover for head restraint (leatherette) / PR-N0C/NOJ
7D0881921AC7EJ flannel grey / -LS,MA,BU
- (24) 7D0881921AD
head restraint cover (cloth) / PR-N4N
7D0881921ADFBH grey brown/cactus / -WL,XL
- (24) 7D0881921AE
head restraint cover (cloth) / PR-N3D
7D0881921AE71B flannel grey / -UC
- (24) 7D0881921AF
cover for head restraint (cloth/leatherette) / PR-N0P
7D0881921AFHQB flannel grey / -AQ
7D0881921AFHQE lagoon / -AP
- (24) 7D0881921AG
head restraint cover (cloth) / PR-N0U
7D0881921AG2EY flannel grey / -KQ
7D0881921AG30J lagoon / -KR
7D0881921AG4PP light beige / -KS
- (24) 7D0881921AH
head restraint cover (cloth) / PR-N2Z
7D0881921AHHRC flannel grey/blue / -22
7D0881921AHMBP turquoise/flannel grey / -51
- (24) 7D0881921AJ
head restraint cover (cloth) / PR-N2N
7D0881921AJHQN flannel grey/green / -RY
7D0881921AJHQS flannel grey/red / -RX
7D0881921AJHQW flannel grey/blue / -RZ
7D0881921AJHRA flannel grey/dark grey / -RW
- (24) 7D0881921AK
cover for head restraint (leatherette) / PR-N1S
7D0881921AK5PE light beige / -NA
- (24) 7D0881921AL
head restraint cover (leather) / PR-N7F/N2Z
7D0881921AL72E light beige / -YR
7D0881921AL79M lagoon / -YQ
7D0881921ALLBN flannel grey (grained) / -79,80
7D0881921ALLBN flannel grey (grained) / -79,89,90
- (24) 7D0881921AM
head restraint cover (cloth) / PR-N2Z
7D0881921AMPAD flannel grey / -41
7D0881921AMPAL flannel grey/blue / -44
7D0881921AMPAP flannel grey/red / -43
- (24) 7D0881921AN
head restraint cover (cloth)
7D0881921ANRAH fresco green/flannel grey / -39
- (25) 3A0881920
guide with push button for adjustable head restraint
3A0881920 B41 satin black
- 25 1H0881939
guide
1H0881939 B41 satin black
- 25A 443881743
clip for guide
- 27 N 90162606
upholstery wire / 2,8X368
- (27) 535885483B
upholstery wire / 2,8X520
- (27) 443885717
upholstery wire / 2X480
- (28) 701881979A
plug
701881979A 9UW sahara
701881979A Q70 light beige
- (28) 7D0881979
plug
7D0881979 151 lagoon
7D0881979 171 flannel grey
- 7D0881500
grip pin
see illustration: / 857-65
7D0881500 151 lagoon
7D0881500 Q70 light beige
7D0881500 171 flannel grey
7D0881500 9UW sahara
- 7D0881640
cover cap
see illustration: / 857-65
7D0881640 151 lagoon
7D0881640 Q70 light beige
7D0881640 171 flannel grey
7D0881640 9UW sahara
- 7D1882635
cover cap / lhd
see illustration: / 857-65
7D1882635 151 lagoon / -AP,KR,UE
7D1882635 Q70 light beige / -KS
7D1882635 171 flannel grey / -AB,AQ,BU,BS, / BX,KQ,LS,MA, / SL
7D1882635 9UW sahara / -BT,NB,UG
- 7D2882635
cover cap / rhd
see illustration: / 857-65
7D2882635 151 lagoon / -AP,KR,UE
7D2882635 Q70 light beige / -KS
7D2882635 171 flannel grey / -AB,AQ,BU,BS, / BX,KQ,LS,MA, / SL
7D2882635 9UW sahara / -BT,NB,UG
- 32 N 10461401
hexagonal head bolt / M10X90
- 33 N 10261305
shouldered nut / M10
- 34 N 90845801
protective cap
N 90845801U71 flannel grey
N 9084580101C satin black



bed board / MULTIVAN

(1) 703886605B

support frame / left
703886605B 01A black
703886605B 2DP flannel grey

(1) 703886606D

support frame / right
703886606D 2DP flannel grey
703886606D 01A black

(2) 7D0886611

bed board for vehicles with one evaporator
7D0886611 9FE lagoon blue

(2) 7D0886611D

bed board for vehicles with one evaporator
7D0886611D 8G3 flannel grey

(2) 7D0886611A

bed board for vehicles with 2nd evaporator
7D0886611A 9FE lagoon blue

(2) 7D0886611E

bed board for vehicles with 2nd evaporator
7D0886611E 8G3 flannel grey

3 703886615

securing plate

4 703886619

securing plate / lower

6 N 01023820

hexagonal head bolt / M8X15

- N 01152520

washer / A8,4X16X1,6

7 N 0104403

hexagonal head bolt / M10X40

8 N 0104522

hexagonal head bolt / BM10X52

9 701801983A

tie-down eye

10 703863413D

padding / PR-N4V
703863413D EJH flannel grey / -WK

(10) 703863413E

padding / PR-N4V
for vehicles with 2nd evaporator
703863413E EJH flannel grey / -WK

(10) 703864413

padding / velours / PR-N2W
703864413 GZB flannel grey / -TU
703864413 GZD lagoon / -TS
703864413 GZF flannel grey / -TV

(10) 703864413A

padding / velours / PR-N2W
for vehicles with 2nd evaporator
703864413A GZB flannel grey / -TU
703864413A GZD lagoon / -TS
703864413A GZF flannel grey / -TV

(10) 7D0864413

padding / PR-N0F
for vehicles with 2nd evaporator
7D0864413 EBU flannel grey / -UF

(10) 7D0864413A

padding / PR-N0F
7D0864413A EBU flannel grey / -UF

(10) 7D0864413D

padding / PR-N0U
7D0864413D HQG flannel grey / -KQ

(10) 7D0864413E

padding / PR-N0P
7D0864413E HQC flannel grey / -AQ

(10) 7D0864413G

padding / PR-N0U
for vehicles with 2nd evaporator
7D0864413G HQG flannel grey / -KQ

(10) 7D0864413H

padding / PR-N0P
for vehicles with 2nd evaporator
7D0864413H HQC flannel grey / -AQ

(10) 7D0864413K

padding / PR-N2Z
7D0864413K KMZ flannel grey / -22
7D0864413K PAE flannel grey / -41
7D0864413K PAK flannel grey/blue / -44
7D0864413K PAQ flannel grey/red / -43

(10) 7D0864413C

padding / PR-N2N
7D0864413C HQP flannel grey/green / -RY
7D0864413C HQT flannel grey/red / -RX
7D0864413C HQX flannel grey/blue / -RZ
7D0864413C HRB flannel grey/dark grey / -RW

(10) 7D0864413F

padding / PR-N2N
for vehicles with 2nd evaporator
7D0864413F HQP flannel grey/green / -RY
7D0864413F HQT flannel grey/red / -RX
7D0864413F HQX flannel grey/blue / -RZ
7D0864413F HRB flannel grey/dark grey / -RW

(10) 7D0864413J

padding / PR-N2Z
7D0864413J MBQ flannel grey/blue / -51

(10) 7D0864413M

padding / PR-N2Z/N7F
7D0864413M 5QT flannel grey / -79,80
7D0864413M 5QT flannel grey / -89,90

11 703883281B

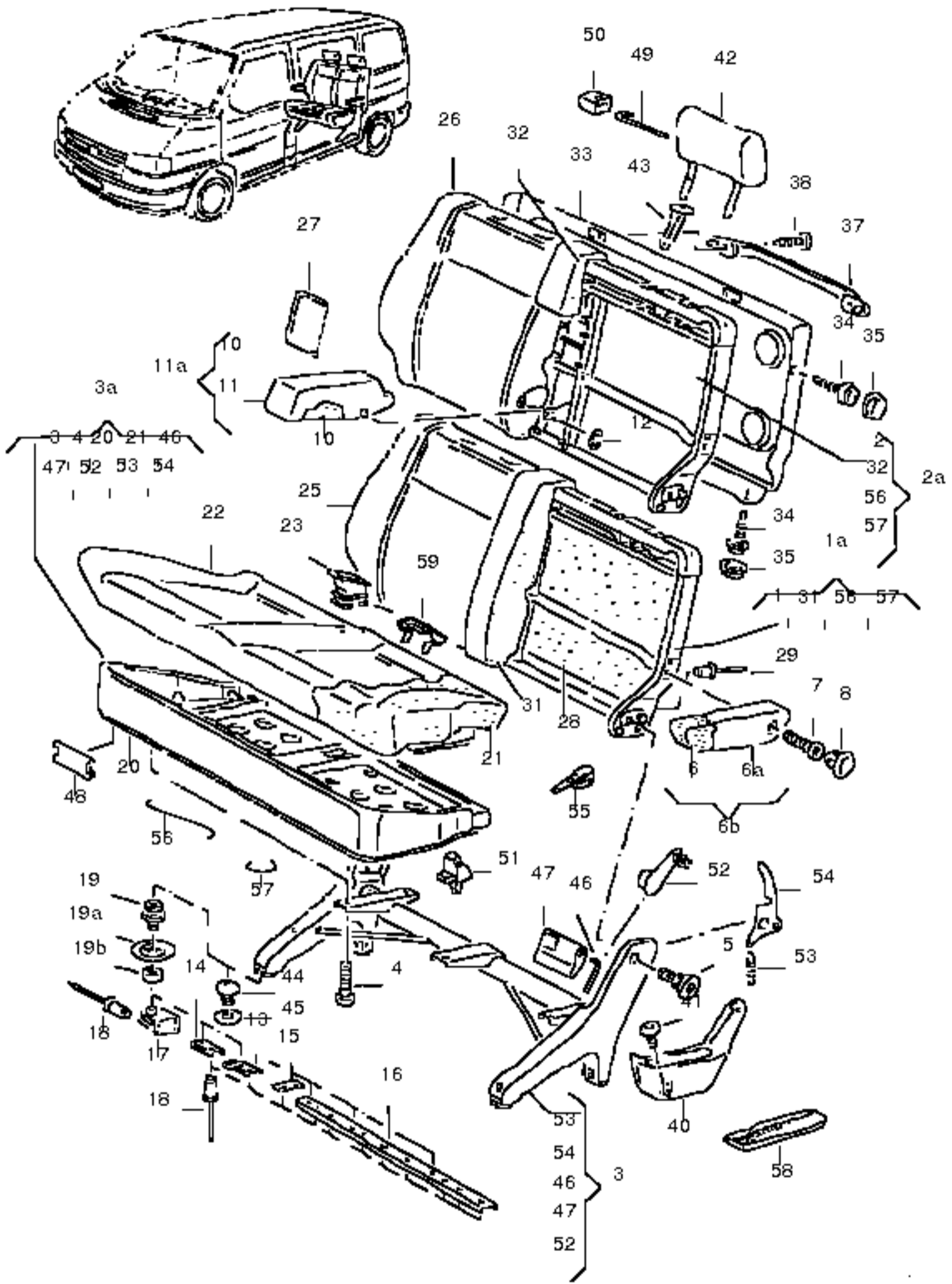
retaining plate

12 703883281D

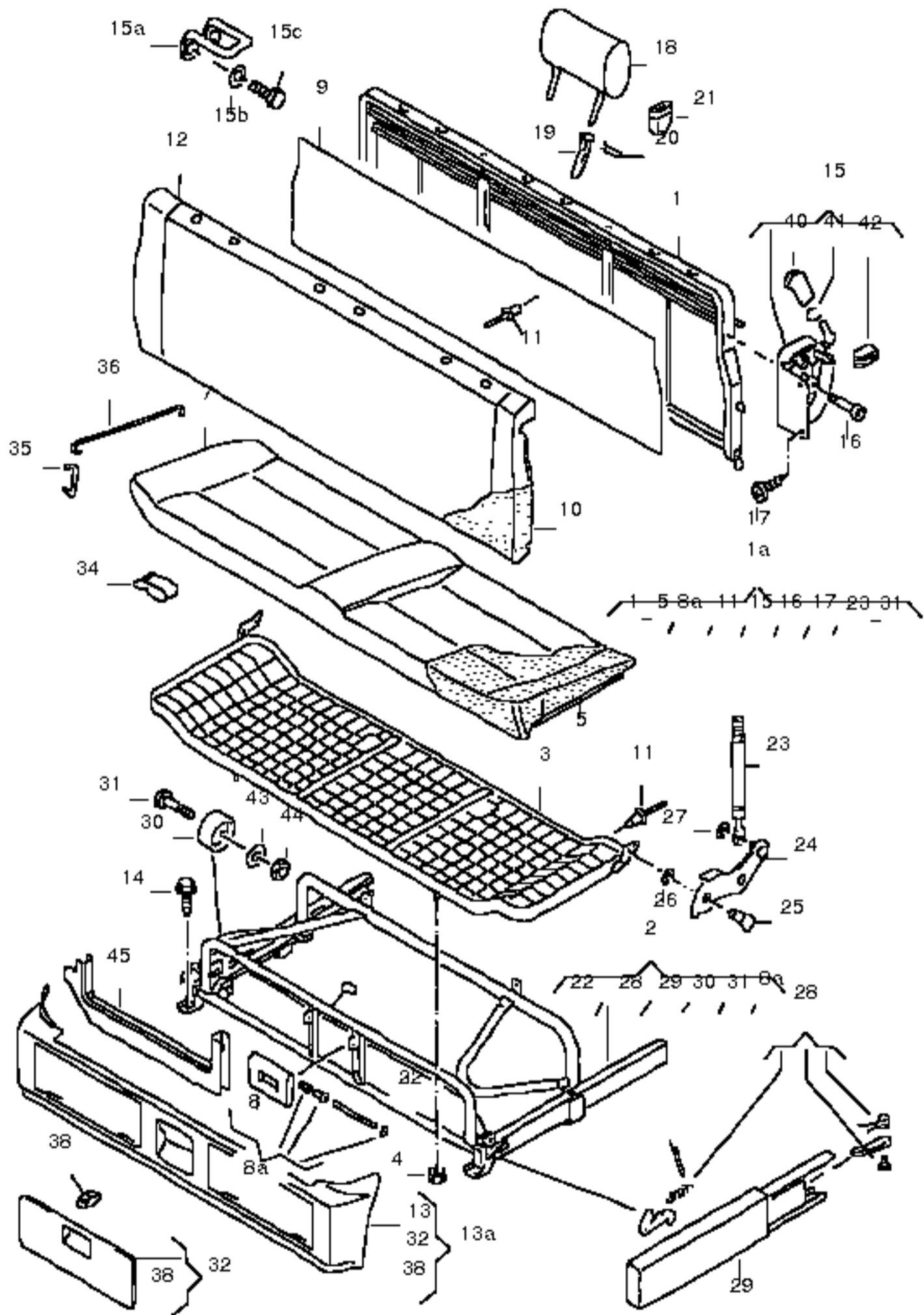
retaining plate

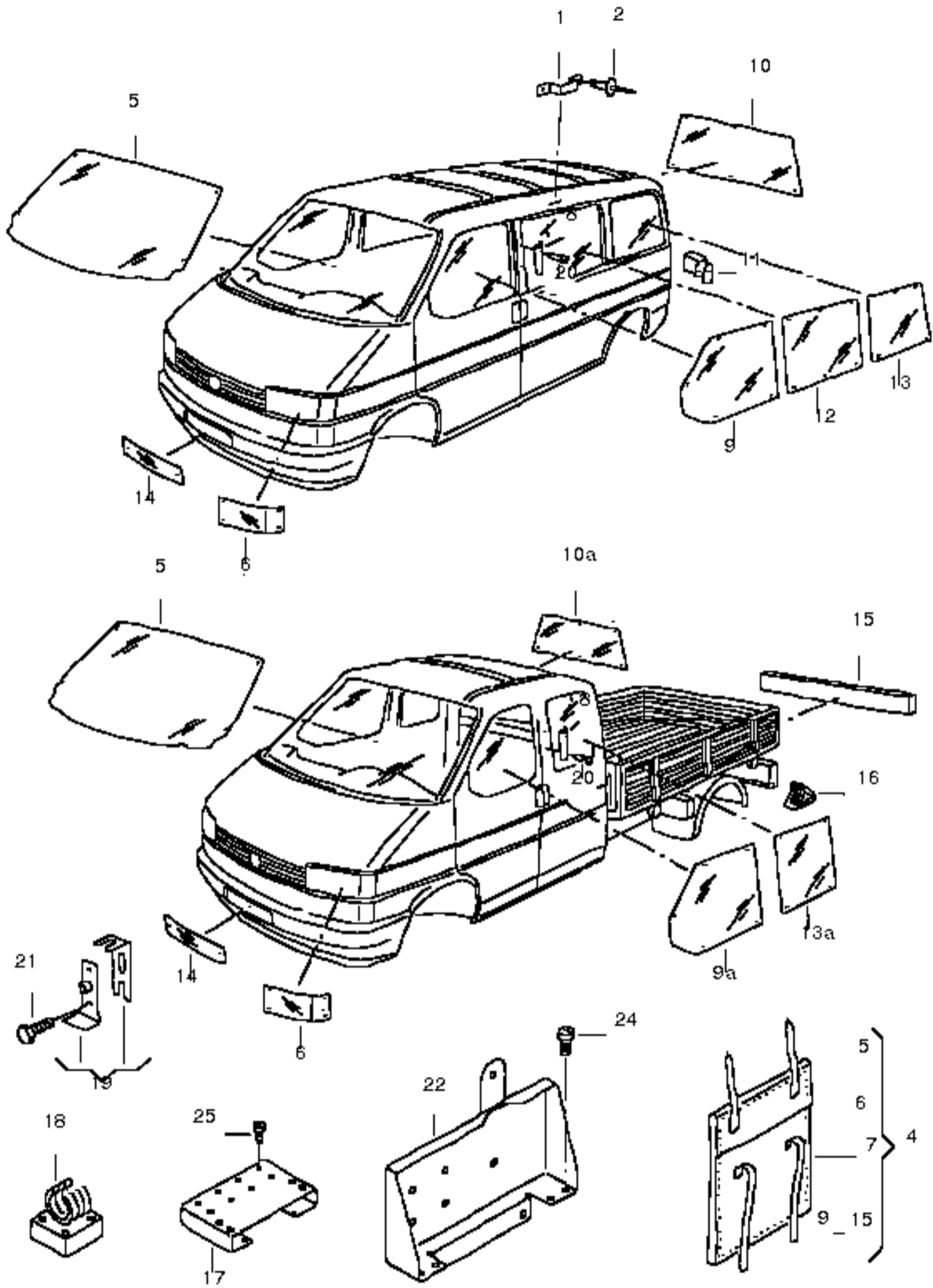
13 N 90478601

pop-rivet / A4,8X11



- bench seat / rear
- 2 seater
- 703883021BF
bench seat with backrest (cloth) / PR-N0A,3UC,
/ 3VG,3B0/3B1/
but without: / 3B3
head restraint
703883021BFEEEM flannel grey / -BX
- AMV195KD101
adhesive / 3G
- 1 703883045
backrest frame
for vehicles without center armrest
F >> 70-1-170 000*
- (1) 7D0883045N
backrest frame
for vehicles without center armrest
F 70-1-170 001>>*
- (1) 7D0883045F
backrest frame / 1. seat bench / PR-3B4
for vehicles without center armrest
F >> 70-1-170 000*
- (1) 7D0883045M
backrest frame / 1. seat bench / PR-3B4
for vehicles without center armrest
F 70-1-170 001>>*
- 1A 703883047A
backrest for bench seat with upholst.padd. and muslin cover
for vehicles without center armrest
also use: / POS. 25
- 2 705883045
backrest frame
for models with center armrest
F >> 70-1-170 000*
- (2) 7D0883045P
backrest frame
for models with center armrest
F 70-1-170 001>>*
- (2) 7D0883045L
backrest frame / 1. seat bench
for models with center armrest
- 2A 705883047A
backrest for bench seat with upholst.padd. and muslin cover / CARAVELLE
for models with center armrest
also use: / POS. 11A,26,33
- (3) 7D0883061
seat frame
7D0883061 01A black
- (3) 7D0883061A
seat frame / emer.service vehicles
7D0883061A 01A black
- 3A 703883037A
bench seat (without backrest) with upholstery padding, muslin covering and underframe
also use: / POS. 22
- 4 N 01470210
allen key head bolt / M6X15
- 5 N 90473501
fitted bolt / M10X28
- 6B 703883081
armrest / left
703883081 7EJ flannel grey / -LS,MA
- (6B) 703883081A
armrest / left
703883081A EEM flannel grey / -BX
703883081A EEZ flannel grey / -AB
- (6B) 703883081B
armrest / left
703883081B EEN flannel grey / -BU
- (6B) 705883081
armrest / left
705883081 EEW flannel grey / -UF
705883081 EEX sahara / -UG
705883081 EEE lagoon / -UE
- (6B) 7D0883081
armrest / left
7D0883081 HQB flannel grey / -AQ
7D0883081 HQE lagoon / -AP
- (6B) 7D0883081A
armrest / left
7D0883081A 2EY flannel grey / -KQ
7D0883081A 30J lagoon / -KR
- (6B) 703883082
armrest / right
703883082 7EJ flannel grey / -LS,MA
- (6B) 703883082A
armrest / right
703883082A EEM flannel grey / -BX
703883082A EEZ flannel grey / -AB
- (6B) 703883082B
armrest / right
703883082B EEN flannel grey / -BU
- (6B) 705883082
armrest / right
705883082 EEW flannel grey / -UF
705883082 EEX sahara / -UG
705883082 EEE lagoon / -UE
- (6B) 7D0883082
armrest / right
7D0883082 HQB flannel grey / -AQ
7D0883082 HQE lagoon / -AP
- (6B) 7D0883082A
armrest / right
7D0883082A 2EY flannel grey / -KQ
7D0883082A 30J lagoon / -KR
7D0883082A 4PP light beige / -KS
- 7 N 0147091
allen key head bolt / M8X22
- 8 701881979
plug
701881979 9UW sahara
701881979 J51 lagoon
701881979 U71 flannel grey
701881979 Q70 light beige
- 11A 705883095
armrest (cloth)
705883095 EEW flannel grey / -UF
705883095 EEX sahara / -UG
705883095 EEE lagoon / -UE
- (11A) 7D0883095A
armrest (cloth)
7D0883095A 2EY flannel grey / -KQ
7D0883095A 30J lagoon / -KR
7D0883095A 4PP light beige / -KS
- (11A) 7D0883095C
armrest (leatherette) / PR-N1S
7D0883095C SPE light beige / -NA
- 12 N 0124362
lock washer / 6
- 13 703883281
retaining plate
- 14 703883281A
retaining plate
- 15 703883281B
retaining plate
- 16 703883281C
attachment strip
- 17 703883281D
retaining plate
list of uses
see illustration: / 885-30
- 18 N 90478601
pop-rivet / A4,8X11
- (19) 703883297A
attachment bolt / 23MM
- (19) 723883297A
attachment bolt / 34MM
- N 0116653
washer / 5,3X15X1,6
- 19B 281857790
spacer bush
- (19B) 703883298D
damping ring
- 20 703883305
seat well
- (20) 7D0883247A
seat well / PR-3B4,3B5, / 3B6
- 21 705883375B
padding for seat
- (22) 703883405
seat cover (leatherette) / PR-N0C
703883405 EEK flannel grey / -LS,MA
- (22) 703883405AF
seat cover (cloth) / PR-N0A
703883405AFEEM flannel grey / -BX
703883405AFEEZ flannel grey / -AB
- (22) 703883405AE
seat cover (cloth/leatherette) / PR-N0J
703883405AEEN dark grey / -BU
- 22 705883405A
seat cover (cloth)
705883405A EEW flannel grey / -UF
705883405A EEX sahara / -UG
705883405A EEE lagoon / -UE
- (22) 7D0883405F
seat cover (cloth/leatherette) / PR-N0P
7D0883405F HQA flannel grey / -AQ
7D0883405F HQD lagoon / -AP
- (22) 7D0883405G
seat cover (cloth) / PR-N0U
7D0883405G HQH lagoon / -KR
7D0883405G HYD light beige / -KS
7D0883405G HYE flannel grey / -KQ
- (22) 7D0883405Q
seat cover (leatherette) / PR-N1S
7D0883405Q SPE light beige / -NA
- 23 701881947
guide frame
701881947 01C satin black
- (23) 701881948
guide frame / right / rhd
701881948 01C satin black
- 25 703883455
backrest cover (leatherette)
703883455 EEK flannel grey / -LS,MA
- (25) 703883455BA
backrest cover (cloth)
703883455BAEEM flannel grey / -BX
703883455BAEEZ flannel grey / -AB
- (25) 703883455AT
backrest cover (cloth/leatherette)
703883455ATEEN dark grey / -BU
- 26 705883455J
backrest cover (cloth)
705883455J EEW flannel grey / -UF
705883455J EEE lagoon / -UE
- 26 705883455A
backrest cover (cloth)
705883455A AGW sahara / -UG
- (26) 7D0883455AF
backrest cover (cloth) / PR-N0U
7D0883455AFHQH lagoon / -KR
7D0883455AFHYD light beige / -KS
7D0883455AFHYE flannel grey / -KQ
- (26) 7D0883455AF
backrest cover (cloth) / PR-N0U, / "AUS"
7D0883455AFHQH lagoon / -KR
7D0883455AFHYD light beige / -KS
7D0883455AFHYE flannel grey / -KQ
- (26) 7D0883455AG
backrest cover (cloth/leatherette) / PR-N0P
7D0883455AGHQA flannel grey / -AQ
7D0883455AGHQD lagoon / -AP
- (26) 7D0883455BA
backrest cover (cloth) / PR-N0U,3UG// 3UW
7D0883455BAHQH lagoon / -KR / "AUS"
7D0883455BAHYE flannel grey / -KQ / "AUS"
- (26) 7D0883455BB
backrest cover (leatherette) / PR-N1S
7D0883455BB5PE light beige / -NA
- 27 705883499
covering
705883499 9UW sahara / -UG
705883499 J51 lagoon / -UE, KR
705883499 U71 flannel grey / -UF, KQ
705883499 Q70 light beige / -KS
- 28 703883611C
trim panel for rear panel
- 29 N 0161992
pop-rivet / A3,2X10X8
- 31 705883775
padding for backrest
for vehicles without center armrest
- 32 705883775B
padding for backrest
for models with center armrest
F >> 70-X-060 000*
- (32) 7D0883775H
padding for backrest
for models with center armrest
F 70-X-060 001>>*
- 33 705883943
cover for seat backrest
705883943 9XW sahara / -UG
- (33) 7D0883943
cover for seat backrest / PR-N0U
7D0883943 Q75 light beige / -KS,NA
7D0883943 2DQ flannel grey / -KQ,UF
7D0883943 7FP lagoon / -KR,UE
- 34 171867167A
panel screw / B4,2X21
- 35 311867169
cap for screw
311867169 J51 lagoon
311867169 U71 flannel grey
311867169 9UW sahara
- 37 705881797
grab handle
705881797 2DQ flannel grey
705881797 7FP lagoon
705881797 9XW sahara
705881797 Q75 light beige
- 38 N 0439351
oval head panel screw / B6,3X38-C
- 40 705883949
shelf/stowage compartment / left
705883949 J51 lagoon
705883949 U71 flannel grey
705883949 9UW sahara
705883949 Q70 light beige
- (40) 705883950
shelf/stowage compartment / right
705883950 J51 lagoon
705883950 U71 flannel grey
705883950 9UW sahara
705883950 Q70 light beige
- 41 191867199
plug / 20/8,5
191867199 01C satin black
head restaints
see illustration: / 881-50
- (43) 1H0881939
guide
1H0881939 B41 satin black
- (43) 3A0881920
guide with push button for adjustable head restraint
3A0881920 B41 satin black
- 44 253857785
plug / M10
253857785 01C satin black
- 45 111857779
gasket / 28X10,4X1,5
- 46 703883079
wire cable
- 47 703883067
handle / left
- (47) 703883068
handle / right
- 48 N 90232101
clips / 13X6X1,5
- (49) 443881743
clip for guide
- 50 703885639
handle
703885639 01C satin black
- 51 703883163
stop buffer
703883163 01A black
- 52 703883069
clip
- 53 703883259A
tension spring
- 54 703883959
locating lever / left
- (54) 703883960
locating lever / right
- 55 113881451
slide for zip fastener / 6,4
- 56 535885483B
upholstery wire / 2,8X520
- (56) 443885717
upholstery wire / 2X480
- (56) N 90162606
upholstery wire / 2,8X368
- 57 N 0152611
clips / 20X1,8
- 58 7D08858587
insert for stowage box / left
7D08858587 J51 lagoon
7D08858587 U71 flannel grey
7D08858587 9UW sahara
- (58) 7D08858588
insert for stowage box / right
7D08858588 J51 lagoon
7D08858588 U71 flannel grey
7D08858588 9UW sahara
- 59 7D0883623B
cover cap / PR-N0U
7D0883623B 01C black
- (59) 7D0883623C
cover cap / PR-N0A/N0P
7D0883623C 01C satin black





black-out covers / german army

rifle bracket

1 231860407

flat cleat

2 N 90437601

pop-rivet / A3,2X8

4 703860419C

bag with blackout sheeting / german army: / kombi van

4 729860419A

bag with blackout sheeting / german army: / double cab

5 703860601

windscreen blackout cover

703860601 631 bronze green

6 703860441A

headlight cover / left

(6) 703860442A

headlight cover / right

7 253860445

bag for blackout sheet

253860445 631 bronze green

8 231860471

flag socket

9 703860611A

blackout sheet for door window / left

703860611A 631 bronze green

9A 703860611

blackout sheet for door window / left / PR-K4D/K4E

703860611 631 bronze green

(9) 703860612A

blackout sheet for door window / right

703860612A 631 bronze green

(9A) 703860612

blackout sheet for door window / right / PR-K4D/K4E

703860612 631 bronze green

10 703860607A

rear window blackout cover

10A 729860631

rear window blackout cover / double cab / pick-up

11 703860615

blackout sheet for tail light . / left

(11) 703860616

blackout sheet for tail light . / right

12 703860621

blackout sheet for side window / center

and side window for sliding door

13 703860625A

blackout sheet for side window / left rear

703860625A 631 bronze green

(13) 703860626

blackout sheet for side window / right rear

13A 729860625

blackout sheet for side window / left rear / double cab

/ pick-up

(13A) 729860626

blackout sheet for side window / right rear / double cab

/ pick-up

14 703860635

blackout sheet for number plate

15 729860637

blackout sheet for bumper . / rear / double cab

/ pick-up

for double cab

16 281860321

wheel chock

17 7D0860233

mounting for rifle bracket / G36 / front

18 181860303

rifle bracket / G3 / front

181860303 041 black

19 181860293

rifle bracket / G3 / rear

181860293 041 black

20 311867167

oval head panel screw / 4,2X13

21 N 01021226

hexagonal head bolt / M6X12

22 7D1861581

mounting for rifle bracket / G36 / kombi van

/ rear

(22) 7D5861581

mounting for rifle bracket / G36 / double cab

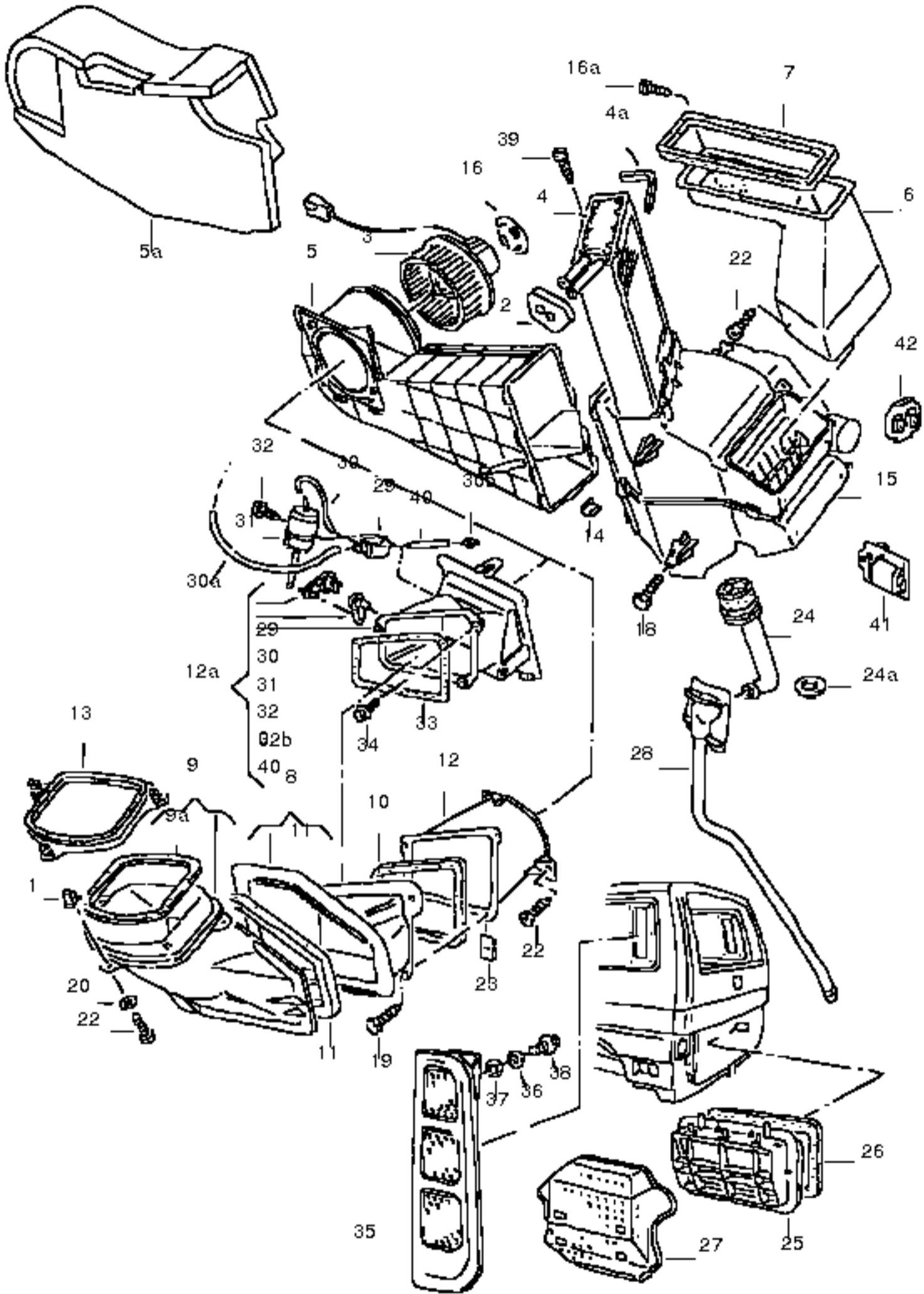
/ rear

24 N 0139705

oval head panel screw / B4,8X9,5

25 N 0141335

fillister hd. bolt / M5X12



blower / 2.8ltr. / 6 cylinder: heat exchanger / AES,
 air duct / 2.0ltr. / 4 cylinder: heater unit / AAC,
 / 1.9ltr. / diesel eng.: / ABL,
 / 2.5ltr. / 5 cylinder: / AET,AEU,APL, / AVT,
 / 2.4/2.5ltr. / diesel eng.: / AJA,ACV,AJT, / AYC,AYY
 / automatic: / AUF

2 701819019

gasket

(3) 701819021B

blower / lhd

(3) 702819021A

blower / rhd

4 701819031A

heat exchanger / lhd

(4) 702819031A

heat exchanger / rhd

4A 7D0819069

gasket / 810X25X6

(5) 7D1819043

air duct / lhd

(5) 702819043B

air duct / rhd

5A 701815083A

sound absorber / lhd / ACV,AUF,AYC, / AJT,AYY

(5A) 702815083

sound absorber / rhd / ACV,AUF,AYC, / AJT,AYY

6 701819063

intermediate piece / lhd

(6) 701820063

intermediate piece / lhd / air condit.

(6) 702819063

intermediate piece / rhd

(6) 702820063

intermediate piece / rhd / air condit.

7 701819070

gasket

(12A) 7D1820153A

intake shaft / lhd for recirculated air operation possibility

(12A) 7D2820153

intake shaft / rhd for recirculated air operation possibility

(13) 701819164A

covering / 142,9X128,4MM

14 321819059

clips

(15) 7D1819351

air distribution housing / lhd

(15) 702819351A

air distribution housing / rhd

16 191819598

plug

16A 155853149

oval head panel screw / H5X17

18 N 0102186

hexagonal head bolt / M6X25

20 N 0116653

washer / 5,3X15X1,6

22 N 0139791

oval head panel screw / B5,5X16

(23) N 90168604

snap nut / M6X16X24

24A N 90719101

locking cover / lhd

(24) 1H0820119A

water drain valve / rhd

25 357819465

vent trim

26 321819017

gasket / 680X8X10

(27) 703819485A

cover cap

(28) 701819994

water drain pipe / rhd

29 028906283

solenoid change-over valve / rhd for recirculated air operation possibility

- N 0180571

hose in coils of 5m 'order unit 5' / lhd

/ 2,5X1,75

for recirculated air operation possibility

shorten to: / 1070MM

- N 0180571

hose in coils of 5m 'order unit 5' / rhd

/ 2,5X1,75

for recirculated air operation possibility

shorten to: / 150MM

shorten to: / 1070MM

shorten to: / 50MM

(31) 7D1820625

vacuum unit / lhd for recirculated air operation possibility

31 701820677

vacuum unit / rhd for recirculated air operation possibility

32 N 0102044

hexagonal head bolt / M4X10 for recirculated air operation possibility

33 191820129

gasket / 550X12X6 for recirculated air operation possibility

34 N 10080102

allen key head bolt (combi) / M6X25

for recirculated air operation possibility

35 701815501

vent trim / left for models with wheelbase: / 2920MM

701815501 01C satin black

(35) 701815502

vent trim / right for models with wheelbase: / 2920MM

701815502 01C satin black

(35) 721815501

vent trim / left for models with wheelbase: / 3320MM

721815501 01C satin black

(35) 721815502

vent trim / right for models with wheelbase: / 3320MM

721815502 01C satin black

36 N 0116644

washer / B4,3X12X1

37 N 90641801

washer / 3,1X12X1,4

(38) N 90499802

fillister head bolt with double thread / E4X8

39 N 0139681

oval head panel screw / ST4,8X13-C

40 7D0819036

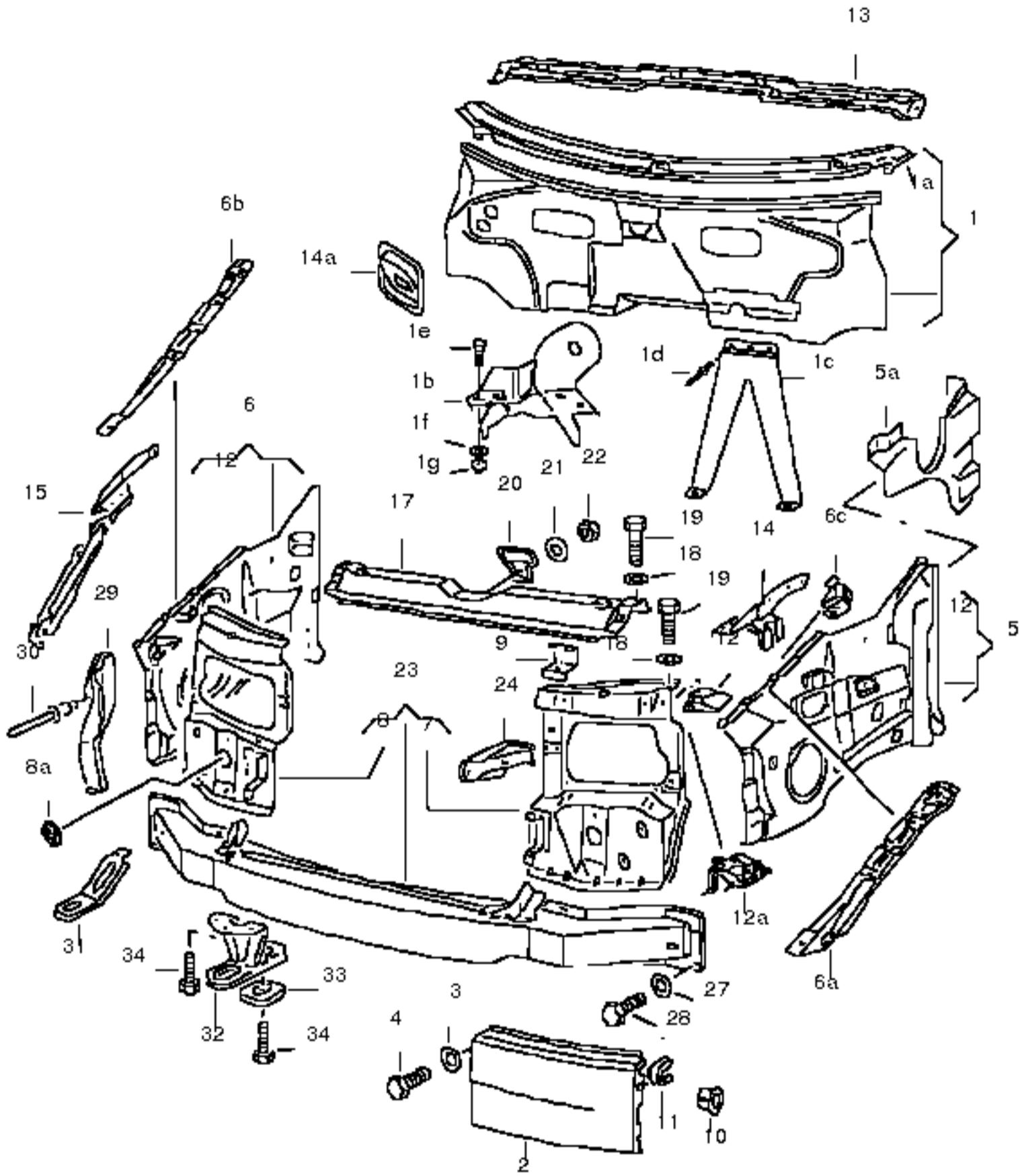
choke / rhd for recirculated air operation possibility

41 701959263

series resistance for fresh air and hot air blower / 1,7/0,8/0,4

42 811819145A

clips bowden cable



body front section
cross panel

(1A) 701805033F

cowl
* dealership obligation: obligatory section of documentation. when selling,
a copy of the vehicle registration documents and personal identity document
must be kept for five years as proof!!
see parts bulletin: / 8/162 V.10/98

(1) 7D0805037A

cross panel
* dealership obligation: obligatory section of documentation. when selling,
a copy of the vehicle registration documents and personal identity document
must be kept for five years* * as proof!!
see parts bulletin: / 8/162 V.10/98

1B 7D0121408A

bracket for reservoir

1C 7D0121179D

filler plate
observe technical service handbook:

(1C) 7D0121179B

filler plate
observe technical service handbook:

1D N 90634901

pop-rivet / A4X14

1E N 01021527

hexagonal head bolt / M6X15

1F N 0115572

washer / 6,4X11X1,6

1G N 90132603

hex. nut with washer / M6

5 701805061E

side panel / left front retaining bracket
see illustration: / 880-00

6 7D0805062A

side panel / right front

6A 7D0806077A

adapter / left upper / PR-AC1
for fender / front

6B 7D0806078A

adapter / right upper / PR-AC1
for fender / front

6C 701805338

mounting for bonnet stay

7 7D0805071A

mounting for headlamps / left / PR-AC0

(7) 7D0806069

mounting for headlamps / left upper / PR-AC1

8 7D0805072A

mounting for headlamps / right / PR-AC0,TDI

(8) 7D0806070

mounting for headlamps / right upper / PR-AC1

8A N 90220501

plug / 50,4X1,2

- AKL44830004

protective foil / 290X210MM

- 701805974

set of seals / right front

9 701805085

edge plate / PR-AC0
mounting for headlamps

11 701805163

clip

(12) 701805191B

retainer bracket / left
side panel / front

(12) 701805192C

retainer bracket / right
side panel / front

12A 7D0805213A

bracket - battery
see illustration: / 857-00

14 7D0805383A

bonnet hinge / left

(14) 7D0805384A

bonnet hinge / right

14A 701805447

connecting part for vehicles with air condit.

17 7D0805563A

lock carrier / PR-AC1

(17) 7D0805563C

lock carrier / 6 cylinder:
/ 150KW

(17) 701805563G

lock carrier / PR-AC0
adapt with workshop equipment

18 N 90207601

washer / A6,4X17X1,6

19 N 10009202

hexagon head bolt (combi) / M6X20-Z2 / ABZ

(20) 701806451A

arm / PR-AC0 arrester hook

(20) 7D0806451A

arm / PR-AC1

21 N 01152423

washer / A6,4X12,5X1,6

22 N 01118312

hexagon nut, self-locking / M6

23 7D0805591

cross member with mounting for headlights / PR-AC0

(23) 7D0803671A

end cross member / front / PR-AC1
but without: mounting for headlamps
see illustration: / 121-75

27 N 01167016

washer / 8,4X24X2

28 N 01023911

hexagonal head bolt / M8X18

29 -----

no longer available / right front / PR-AC0

30 N 0161943

pop-rivet / A4,8X7,6

31 7D0807401A

towing eye / front

32 7D0807370B

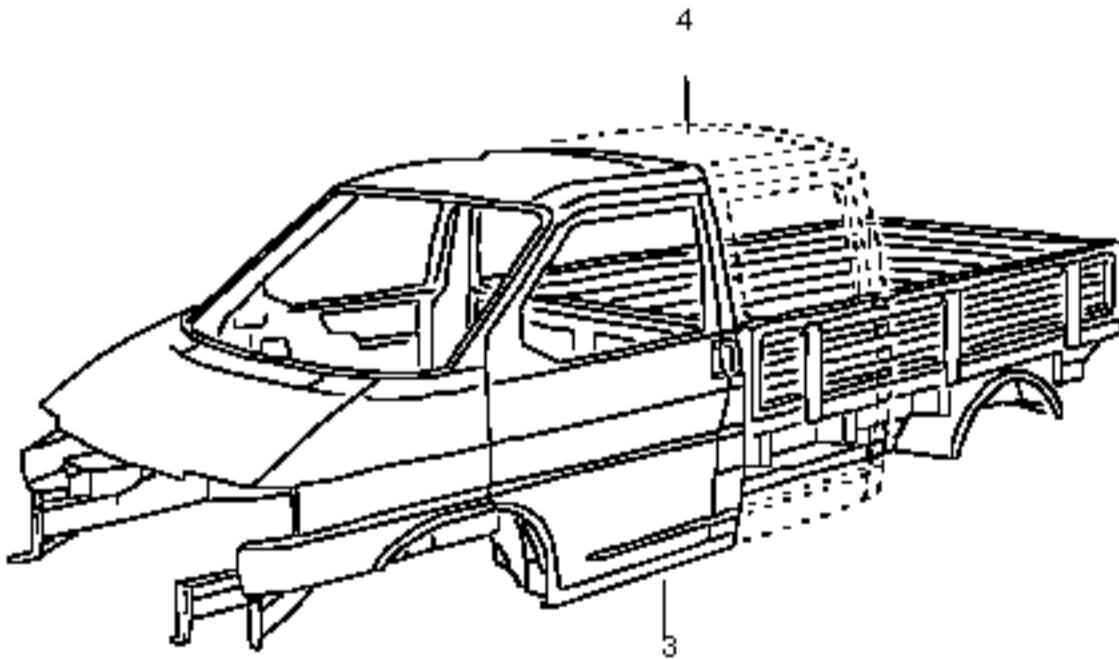
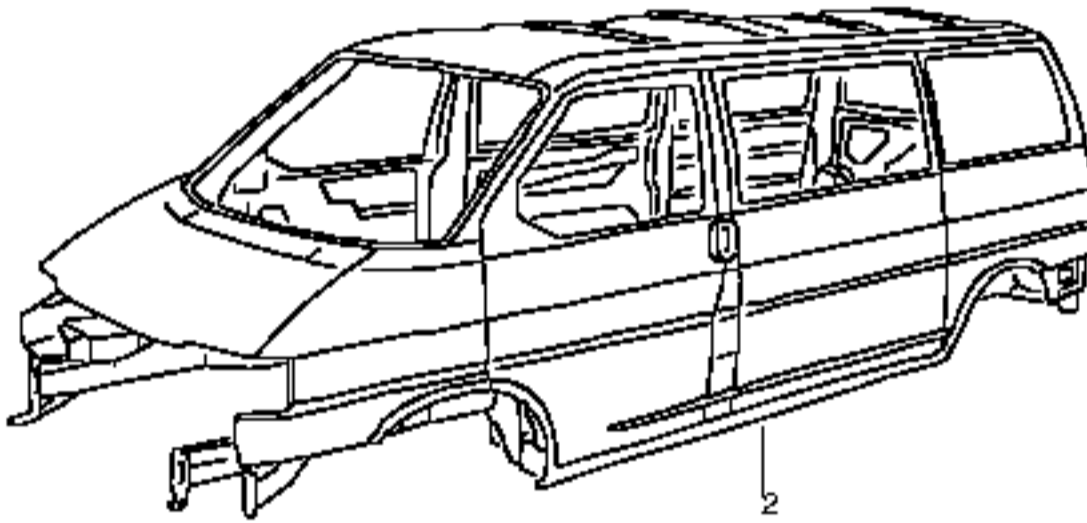
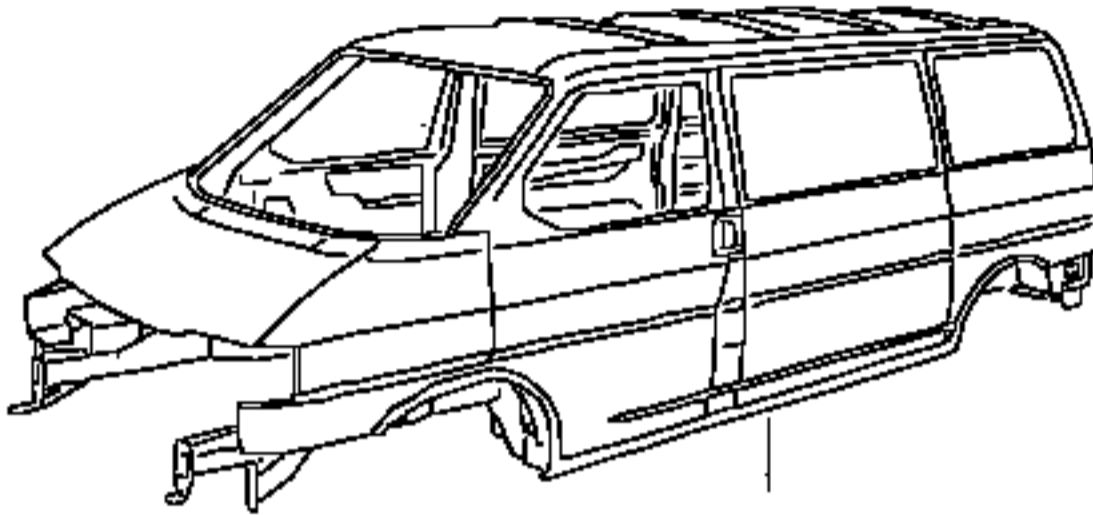
towing eye / front / PR-AC1

33 7D0804689

reinforcement for: towing eye

34 N 0102524

hexagonal head bolt / M10X20



body shell prime coated with lids, wings and doors, foamed, sealed and undersealed

1 701800403A

body shell / lhd / delivery van wheelbase: / 2920MM

* dealership obligation: obligatory section of documentation. when selling, a copy of the vehicle registration documents and personal identity document must be kept for five years as proof!!

see parts bulletin: / 8/162 V.10/98

(1) 721800403A

body shell / lhd / delivery van wheelbase: / 3320MM

* dealership obligation: obligatory section of documentation. when selling, a copy of the vehicle registration documents and personal identity document must be kept for five years as proof!!

see parts bulletin: / 8/162 V.10/98

(1) 722800403

body shell / rhd / delivery van wheelbase: / 3320MM

* dealership obligation: obligatory section of documentation. when selling, a copy of the vehicle registration documents and personal identity document must be kept for five years as proof!!

see parts bulletin: / 8/162 V.10/98

(2) 703800403A

body shell / lhd / PR-AC0: wheelbase: / 2920MM / bus

* dealership obligation: obligatory section of documentation. when selling, a copy of the vehicle registration documents and personal identity document must be kept for five years as proof!!

see parts bulletin: / 8/162 V.10/98

(2) 723800403A

body shell / lhd / PR-AC0: wheelbase: / 3320MM / bus

* dealership obligation: obligatory section of documentation. when selling, a copy of the vehicle registration documents and personal identity document must be kept for five years as proof!!

see parts bulletin: / 8/162 V.10/98

2 7D1800403

body shell / lhd / PR-AC1: wheelbase: / 2920MM / bus

* dealership obligation: obligatory section of documentation. when selling, a copy of the vehicle registration documents and personal identity document must be kept for five years as proof!!

see parts bulletin: / 8/162 V.10/98

(2) 7D1800403A

body shell / lhd / PR-AC1:

for vehicles with wing door / with window / bus wheelbase: / 2920MM

obligatory documentation part

see parts bulletin: / 8/162 V.10/98

* dealership obligation: obligatory section of documentation. when selling, a copy of the vehicle registration documents and personal identity document must be kept for five years as proof!!

(2) 7D3800403

body shell / lhd / PR-AC1: wheelbase: / 3320MM / bus

* dealership obligation: obligatory section of documentation. when selling, a copy of the vehicle registration documents and personal identity document must be kept for five years as proof!!

see parts bulletin: / 8/162 V.10/98

3 707800403A

body shell without floor frame / lhd / pick-up wheelbase: / 2920MM

* dealership obligation: obligatory section of documentation. when selling, a copy of the vehicle registration documents and personal identity document must be kept for five years as proof!!

see parts bulletin: / 8/162 V.10/98

(3) 727800403A

body shell without floor frame / lhd / pick-up wheelbase: / 3320MM

* dealership obligation: obligatory section of documentation. when selling, a copy of the vehicle registration documents and personal identity document must be kept for five years as proof!!

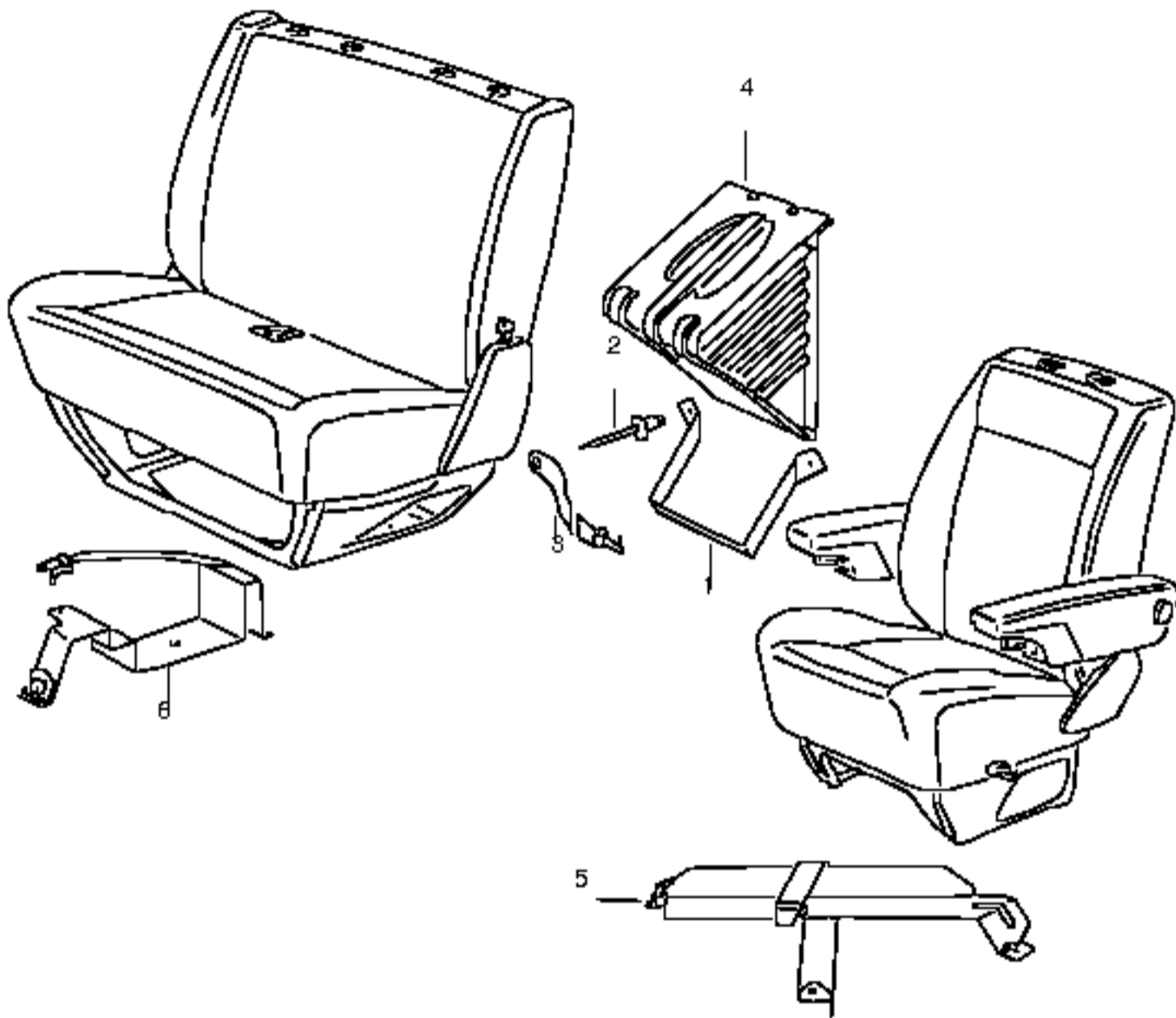
see parts bulletin: / 8/162 V.10/98

(3) 729800403A

body shell without floor frame / lhd / double cab

* dealership obligation: obligatory section of documentation. when selling, a copy of the vehicle registration documents and personal identity document must be kept for five years as proof!!

see parts bulletin: / 8/162 V.10/98



bracket for warning triangle and first aid kit
wheel chock

1 -----
no longer available

2 N 90064301
rivet / A6,4X14

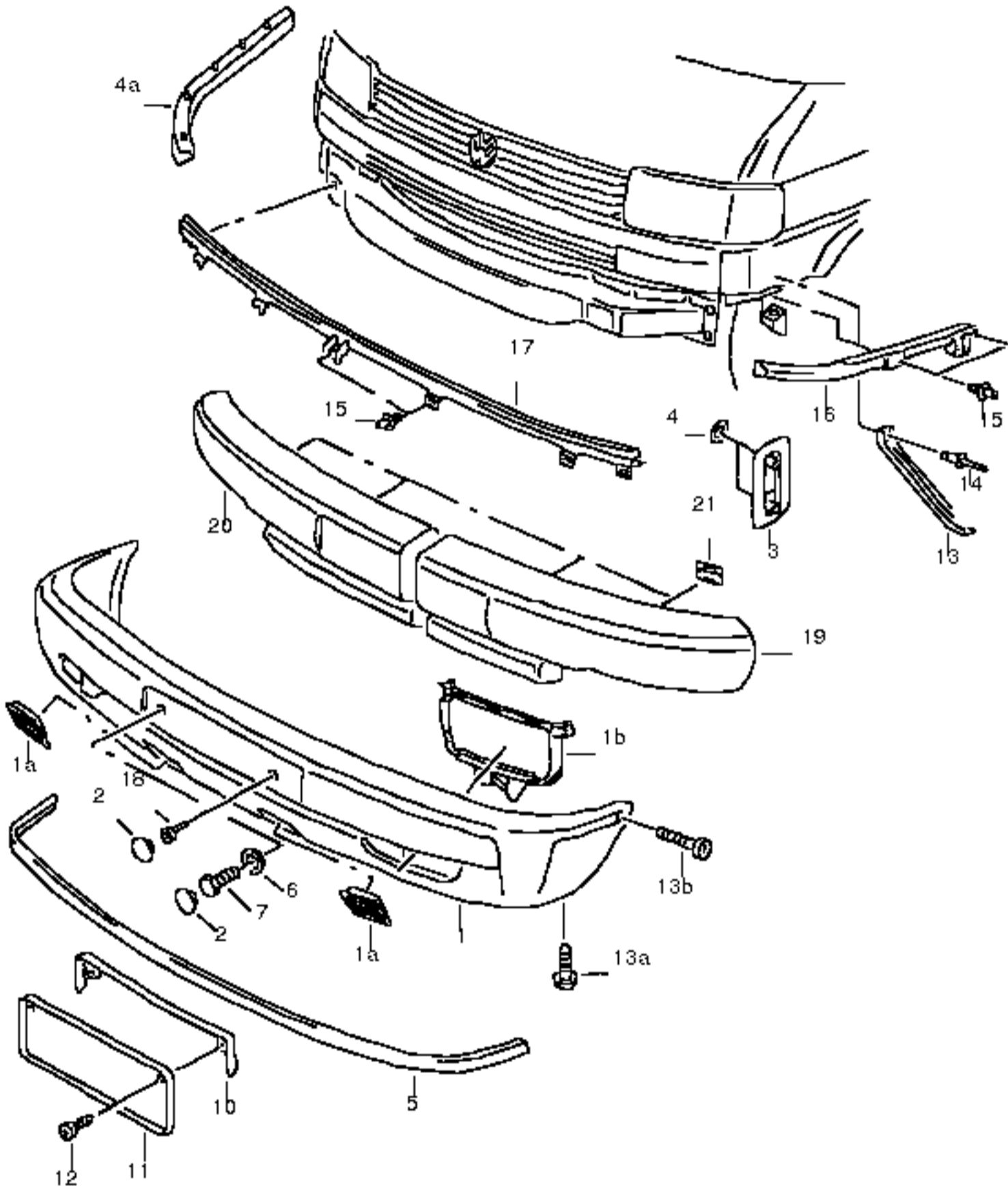
3 867860266
retaining strap for warning triangle

4 281860321
wheel chock

5 701860266
bracket for warning triangle and first aid kit / lhd

6 701860266A
bracket for warning triangle and first aid kit
for 2 seater bench seat

- 7D0860232
bracket - fire extinguisher / "BR "



bumper / front

1 7D0807221

bumper / PR-AC0

7D0807221 2BC graphite

if necessary paint

(1) 7D0807221A

bumper / front / PR-AC0 for models with fog lamps

7D0807221A 2BC graphite

if necessary paint

(1) 7D0807221B

bumper / PR-AC1

7D0807221B 2BC graphite

(1) 7D0807221C

bumper / front / PR-AC1 for models with fog lamps

7D0807221C 2BC graphite

(1) 7D0807221D

bumper / front / PR-AC1

7D0807221D GRU primed

(1) 7D0807221E

bumper / front / PR-AC1 for models with fog lamps

7D0807221E GRU primed

1B 7D0941801

fog lamp mounting / left

(for service installation)

(1B) 7D0941804

fog lamp mounting / right

(for service installation)

2 701807179

cover cap

701807179 2BC graphite

(2) 705807179

cover cap / "J.."

705807179 GRU primed

13 7D0807045

retainer / left

(13) 7D0807046A

retainer / right

- N 90456702

torx socket fillister head screw, self-locking / M6X17-E

- N 90731501

torx socket head panel screw / 6X25-Q

14 N 90788501

pop-rivet / A4,8X14

15 N 0385501

split rivet / A8X11

- 701807183B

support part / front

16 7D0807183

guide profile / left front / PR-AC1

(16) 7D0807183A

guide profile / left front / PR-AC0

(16) 7D0807184

guide profile / right front / PR-AC1

(16) 7D0807184A

guide profile / right front / PR-AC0

17 7D0807183B

guide profile / center / PR-AC0

(18) N 0903292

hexagon head bolt (combi) / M8X26-Z1

19 7D0807693

shock absorber / left front / PR-AC0

(19) 7D0807694A

shock absorber / right front / PR-AC0

20 7D0807693A

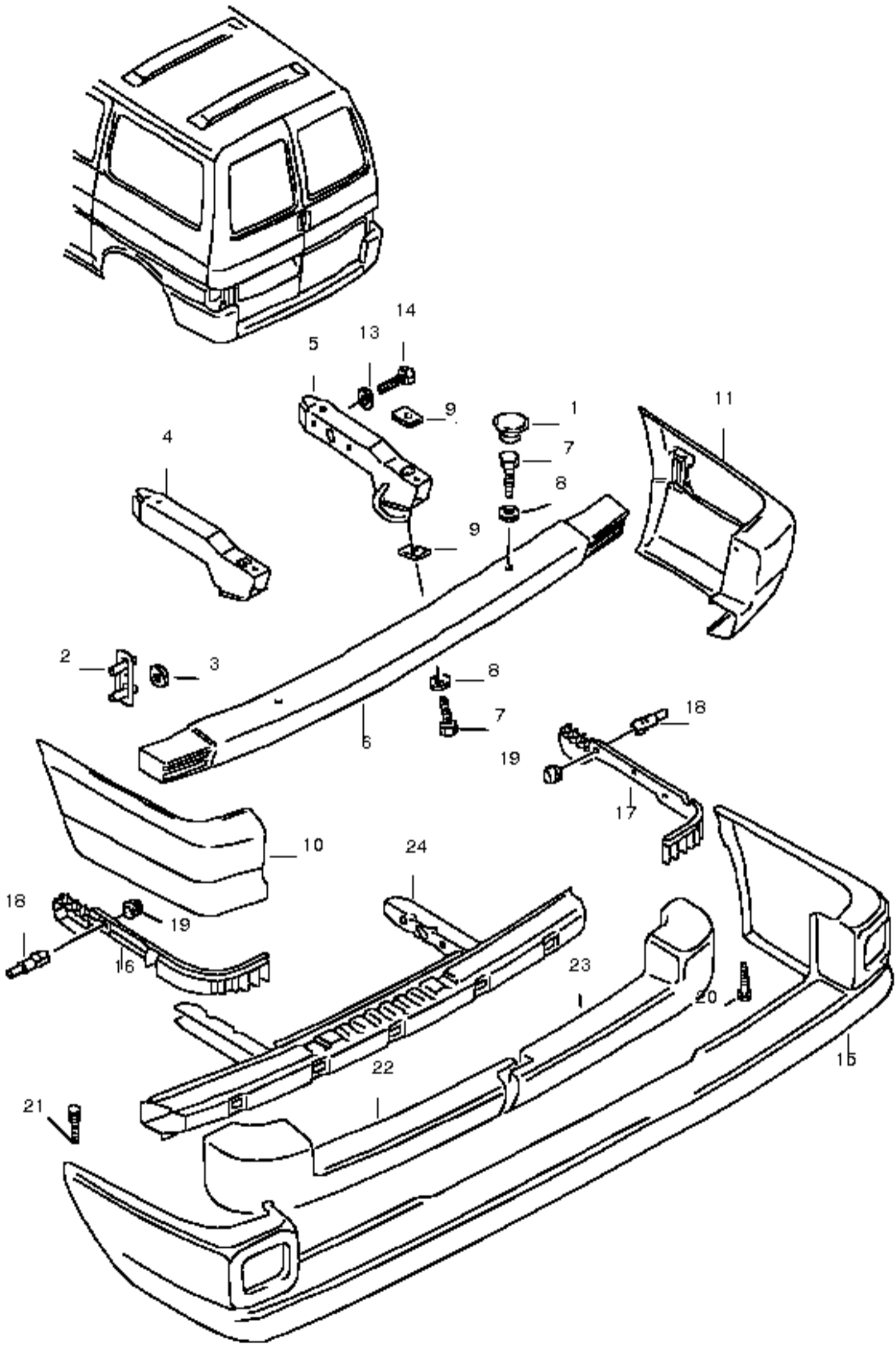
shock absorber / left front / PR-AC1

(20) 7D0807694

shock absorber / right front / PR-AC1

21 7M0864994

clips



bumper / rear
towing eye

- 707807370
towing eye / right rear / pick-up / double cab

- N 90117701
washer / 12,3X30X2

- N 0101274
hexagonal head bolt / M12X1,5X30

- 701807386
tensioning piece / right rear

15 701807417
cover for bumper
701807417 2BC graphite

(15) 705807417
cover for bumper
705807417 GRU primed

- 701941779
rear light reflector

- 6N0807199
bolt, torx socket head / M6X27

16 7D0807393
guide profile / left rear

17 7D0807394
guide profile / right rear

18 N 0385501
split rivet / A8X11

19 357853586B
grommet

20 N 90684101
torx socket fillister hd. bolt / M6X20-H

21 N 90731501
torx socket head panel screw / 6X25-Q

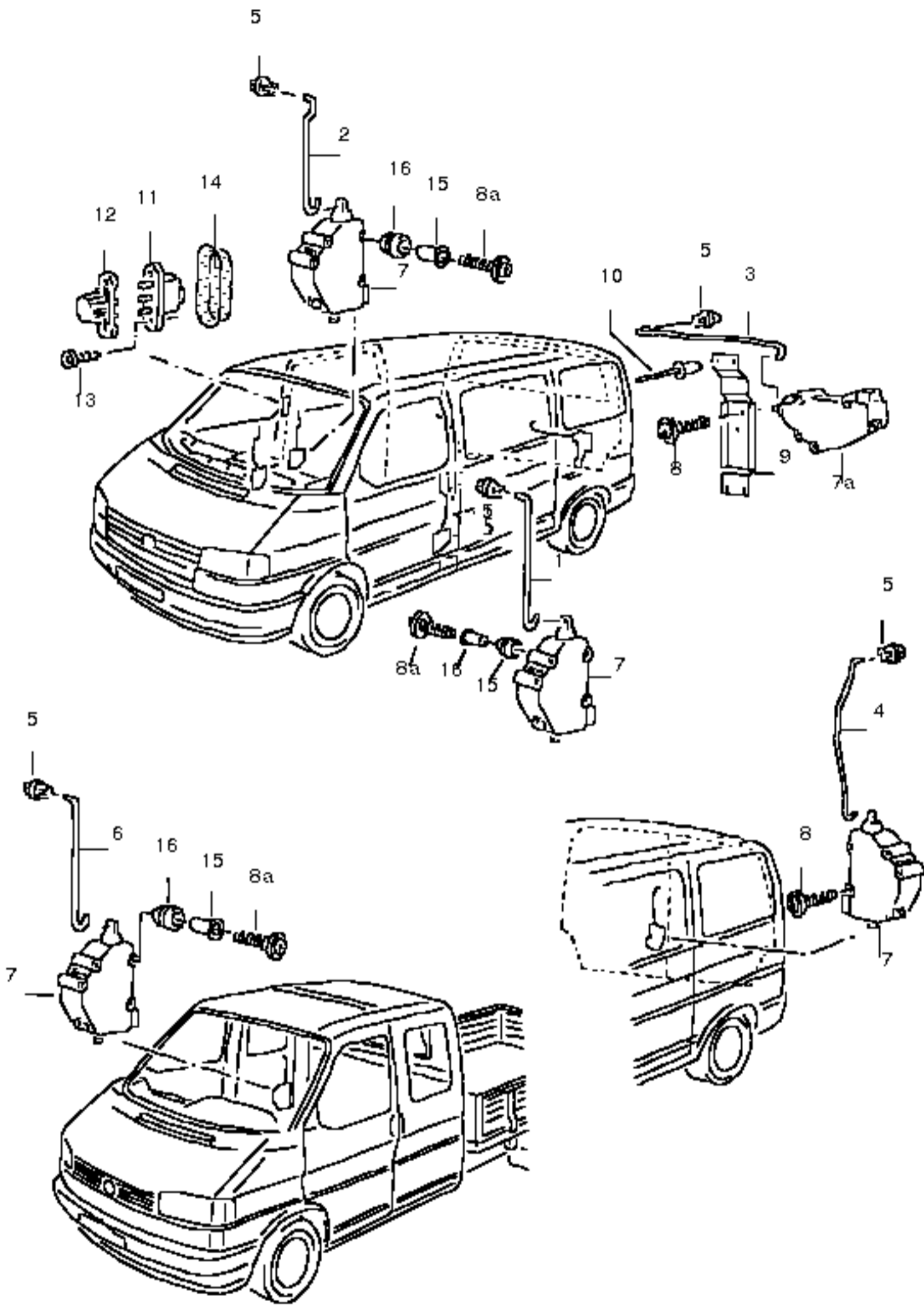
22 7D0807695
shock absorber / left

23 7D0807696
shock absorber / right

24 701807303
bumper bracket with towing eye

(24) 701803881M
bumper bracket for trailer towing
bumper bracket for models with detachable towing attachment (ball type)

- N 90701101
hexagonal head bolt / M12X1,5X35



central locking system

(1) 7D0862163
connecting rod
for driver and passenger door

2 701862170
connecting rod
for sliding door

(3) 701862175B
connecting rod
tailgate/boot lid panel

4 701862175A
connecting rod
for wing door

5 171837199
clip

6 729841189
connecting rod / double cab
crew cab door

7 7D0959781A
positioning motor
driver and passenger door
for wing door
for sliding door
use if required: / 701 972 390 B

- 701972390B
wiring harness adapter
for vehicles with central locking system

positioning motor

7A 7D0959781A
positioning motor
tailgate/boot lid panel
use if required: / 701 972 390 C
** see current flow diagram **

- 701972390C
wiring harness adapter
for vehicles with central locking system

positioning motor

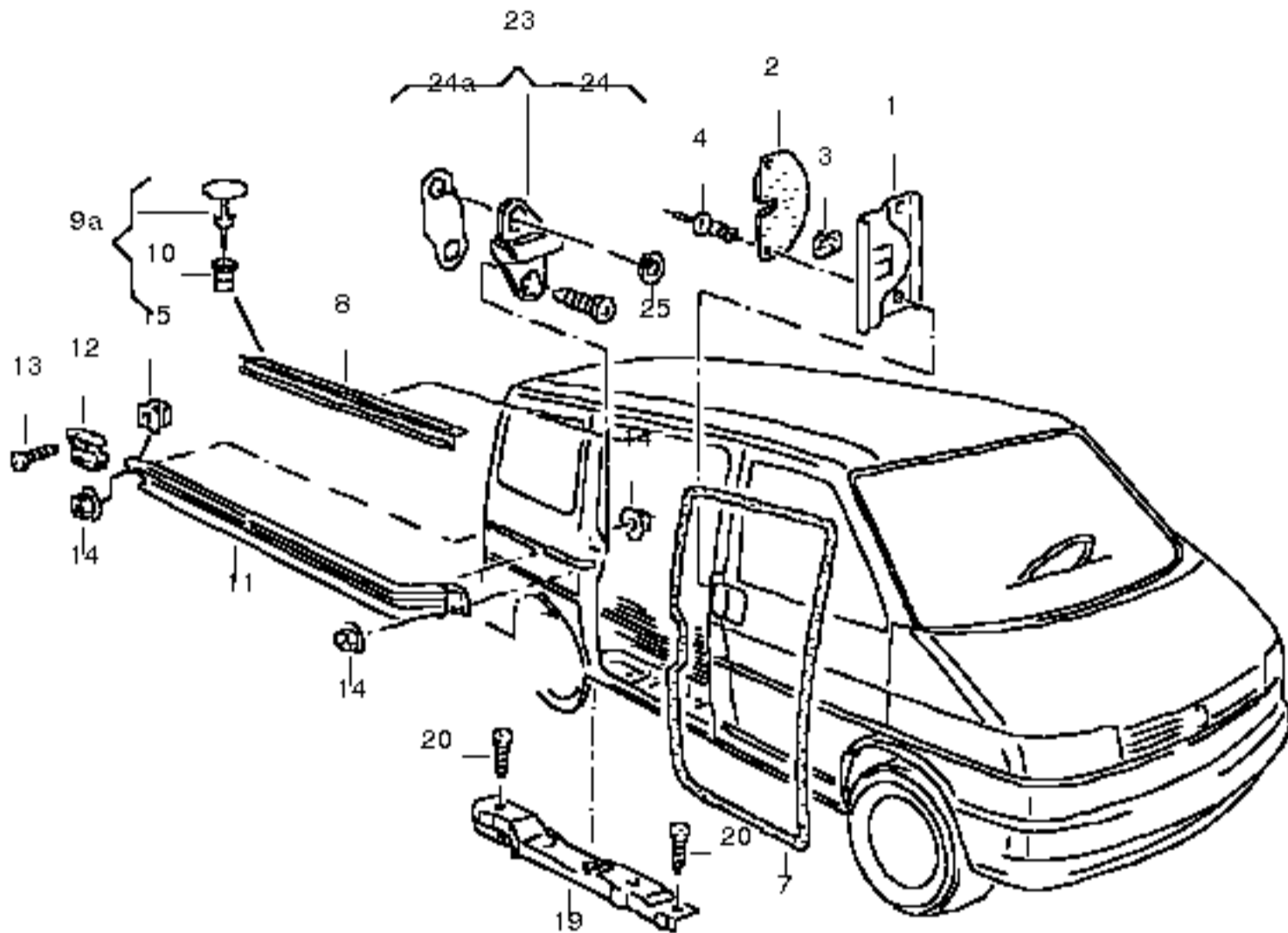
- 191972713
flat connector housing / 3 pin

- 357972754H
flat contact housing / 3 pin

8 433862195
screw / 4,2X16
see illustration: / 959-10

15 701862306
bush

16 701862305
rubber bush



channel
check rod - door
seal for sliding door

1 701809284C
reinforcement / right
arrester hook

2 701843673A
damper

3 701843684
protective cap

4 N 90478601
pop-rivet / A4,8X11

(7) 7D0843791E
seal for high sliding door / 6074MM
7D0843791E 01C satin black

(7) 7D0843791F
seal for sliding door / 5124MM / TRANSPORTER
7D0843791F 01C satin black

(7) 7D0843791C
seal for sliding door / 5124MM / bus
7D0843791C 01C satin black

8 7D0843793
seal for sliding door / upper
also use: / 701 837 069

9A 701837069
clip

(11) 7D1843871
channel / left
chrome colored

(11) 7D1843871
channel / left
chrome colored
for vehicles with extended wheelbase

(11) 7D1843871A
channel / left
7D1843871A 01C satin black

11 7D1843872
channel / right
chrome colored

(11) 721843872B
channel / right
chrome colored
for vehicles with extended wheelbase

(11) 7D1843872A
channel / right
7D1843872A 01C satin black

(11) 725843872C
channel / right
for vehicles with extended wheelbase
725843872C 01C satin black

(12) 701843883B
end piece / left
701843883B 01C satin black

12 701843884B
end piece / right
701843884B 01C satin black

13 N 0139649
oval head panel screw / ST4,2X16-C

14 N 90175203
hexagon nut, shouldered / M6

15 N 90541001
expanding nut / 4,2X8,5

(19) 701843413B
check rod - door / left
for sliding door

19 701843414C
check rod - door / right
for sliding door

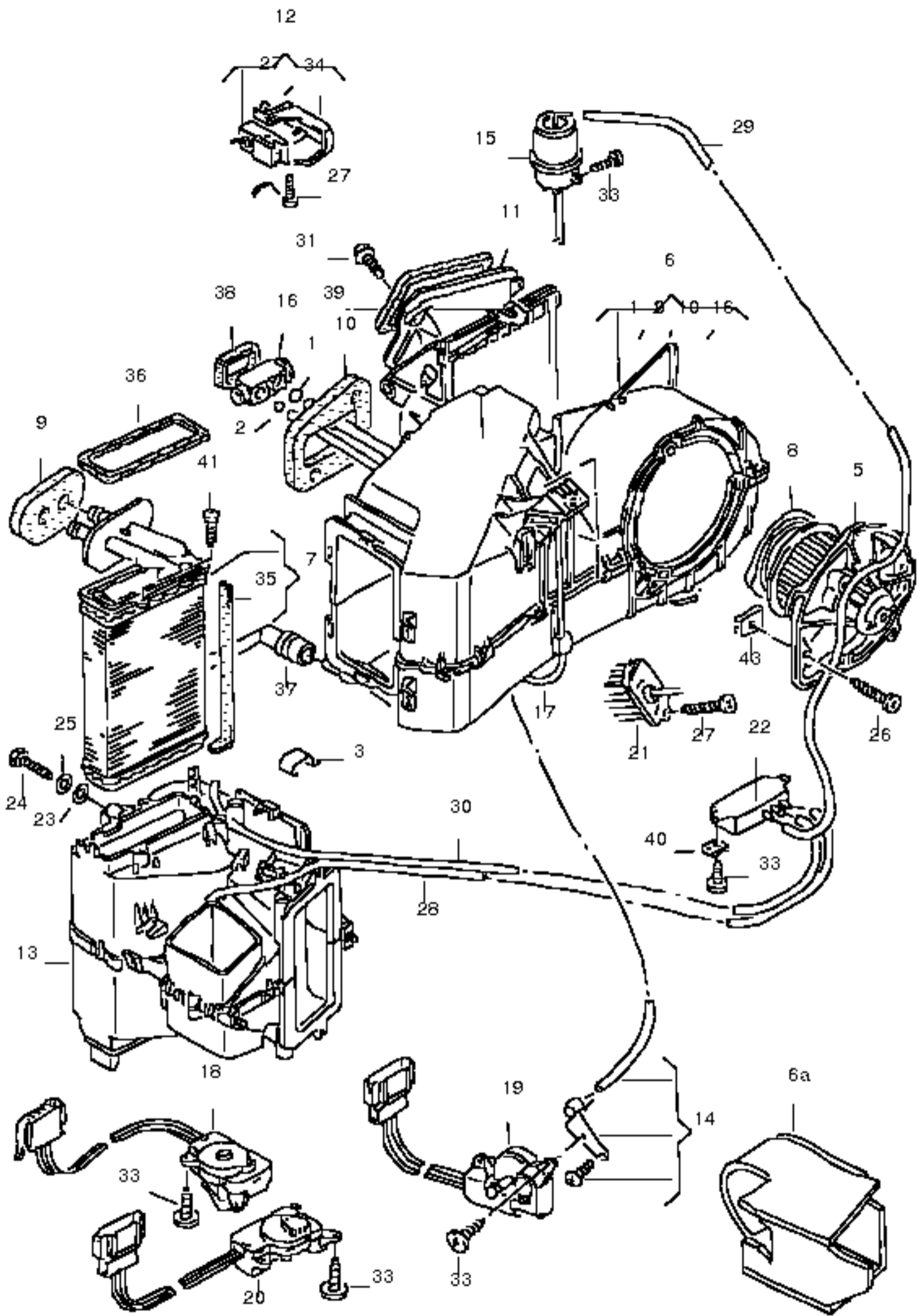
20 N 0141485
fillister hd. bolt / M8X15

23 7D0837767A
striker plate
MITVERWENDEN: / N 904 367 04
/ 701 837 279

24 N 90436704
oval head countersunk bolt / M8X22

24A 701837279
base

25 N 10034401
plug / 30X5,6X37 / bus



connection box
 evaporator housing
 blower
 for vehicles with electronically regulated air condit.

(1) 8E0260749D
 round seal / 14X1,8

(2) 8E0260749
 round seal / 10,8X1,82

3 321819059
 clips

4 191819370
 gasket

5 357820021
 blower / lhd

(5) 358820021
 blower / rhd

(6) 7D1820011A
 evaporator housing / lhd

(6) 7D2820011A
 evaporator housing / rhd

6A 701815083B
 sound absorber / lhd / ACV,AUF,AYC, / AHY,AXG,AJT, / AYY

(6A) 702815083A
 sound absorber / rhd / ACV,AUF,AYC,
 air distribution housing / AJT,AYY

7 701820031
 heat exchanger / lhd

8 191820048
 ring

9 701820099
 gasket

10 191820139
 gasket

(11) 7D1820153B
 intake shaft / lhd

(11) 7D2820153A
 intake shaft / rhd

(12) 357820295B
 thermostat with protective cap / E33
 F >> 70-X-091 853*

13 7D1820351A
 connection box / lhd

(13) 7D2820351A
 connection box / rhd

14 701820514
 bracket f.throttle contr.elem.

15 701820677
 vacuum unit

16 701820679D
 expansion valve / R134A

17 191820845
 tensioning strap

18 357907511C
 positioning motor / lhd
 lever for air distribution

(18) 358907511C
 positioning motor / rhd
 lever for air distribution

19 701907511
 positioning motor
 defroster flap

(19) 7D2907511
 positioning motor / rhd
 defroster flap

20 701907511A
 positioning motor / lhd
 lever for temperature regulating flap
 use if required: / 357 819 126

(20) 7D2907511A
 positioning motor / rhd
 lever for temperature regulating flap
 use if required: / 357 819 126

- 357819126
 intermediate lever / 10

21 1J0907521
 blower control

(22) 7D0907533
 valve unit
 for vehicles with electronically regulated air condit.

23 803955637
 sealing washer

24 N 01021710
 hexagonal head bolt / M6X20

25 N 0115476
 washer / A6,5X14X1,6

26 N 0139755
 oval head panel screw / ST4,8X19

27 N 0140993
 oval hd. csk. self-tapp. screw / ST4,8X13-C

- N 0180571
 hose in coils of 5m 'order unit 5' / 2,5X1,75
 shorten to: / 830MM
 shorten to: / 820MM
 shorten to: / 530MM

31 N 10080102
 allen key head bolt (combi) / M6X25

32 N 90276701
 snap nut / ST4,8X14,25

33 N 90345701
 fillister hd. bolt / E4,2X13-M

34 191820298A
 protective cap

35 7D0819069
 gasket / 810X25X6
 shorten to: / 665MM

36 321819017
 gasket / 680X8X10

(37) 7D0820124
 water drain pipe

- N 10098601
 spring-type clip / 17

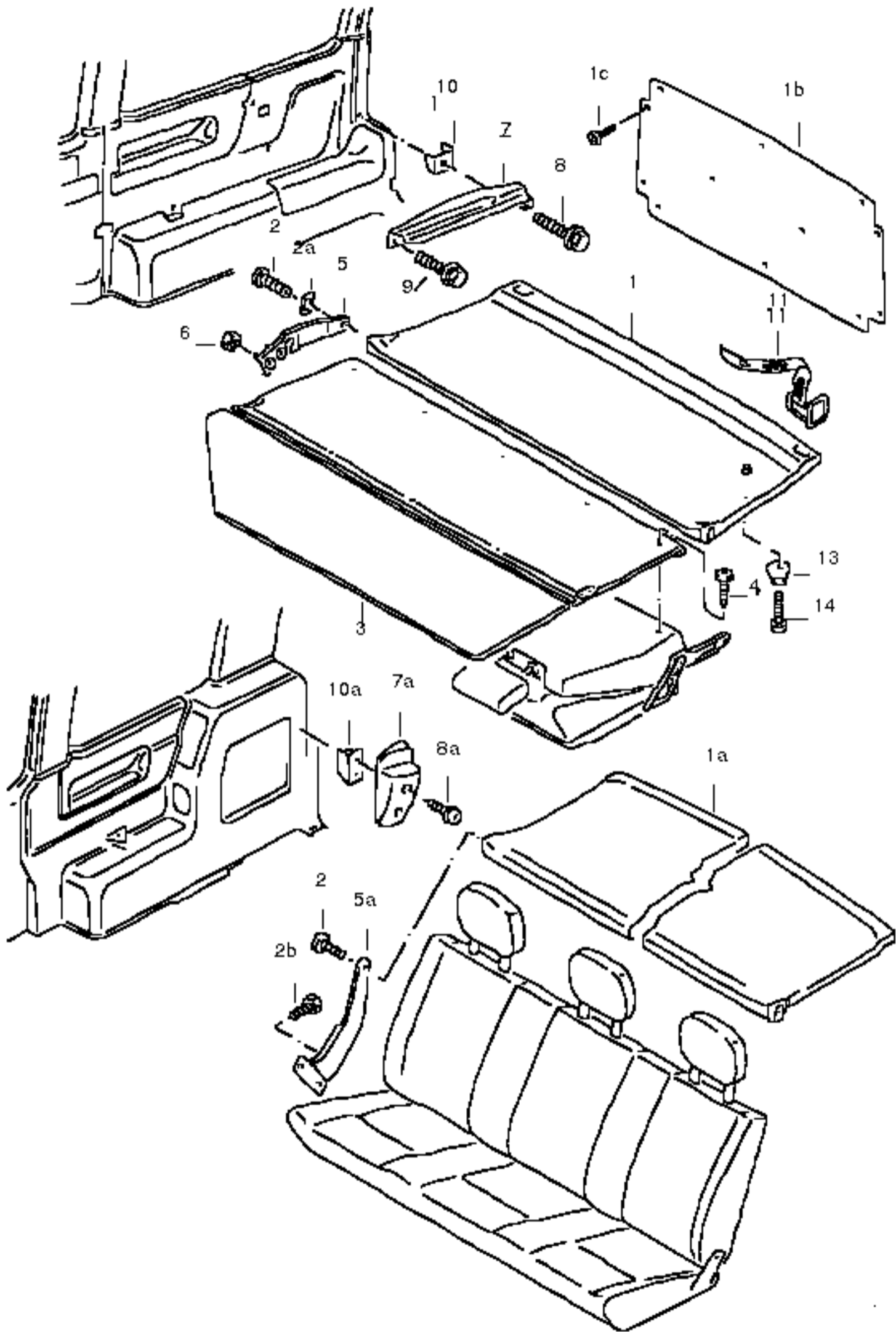
38 321820061D
 gasket / 1220X12X10
 shorten to: / 95MM

39 191820129
 gasket / 550X12X6

40 N 0154421
 snap nut / B4,2X12,8X11

41 N 90130801
 fillister hd. bolt / E4,2X16

- 1J0919379
 outer temperature sensor
 see illustration: / 920-00 POS.7



cover for luggage boot
for vehicles with 2nd evaporator
cover for luggage boot / rear
for vehicles with air condit. / front
no replacement part

1A 7D0867773
cover for luggage boot / rear / PR-2N1/2N3,
for vehicles with 2nd evaporator / 3VN
7D0867773 E72 flannel grey
7D0867773 G62 lagoon
7D0867773 Q11 sahara
7D0867773 9PL light beige / -KS,VH

1B 7D0868759
sound absorber for flap / rear / PR-2N3,3VN

1C N 10309101
oval head panel screw (combi) / B4,8X16Z2

(2) N 0102935
hexagonal head bolt / M8X16
also use: / N 011 558 11

- N 01155811
washer / 8,4X15X1,6

2A N 0122323
spring washer / B12X24X1,2

2 N 0147091
allen key head bolt / right
/ M8X22

2B N 10063202
hexagon head bolt c/w shoulder / M8X20

(5) 705868761
bearing bracket / left
F >> 70-XH041 315
F 70-XH041 316>>
see illustration: / 885-25, POS.3
see illustration: / 885-25

6 N 01100830
hexagonal nut / M8
/ left

7A 7D0867764
shelf / right
7D0867764 J51 lagoon
7D0867764 U71 flannel grey
7D0867764 9UW sahara
7D0867764 Q70 light beige / -KS,VH

7 7D0867763
shelf / left
7D0867763 J51 lagoon
7D0867763 U71 flannel grey
7D0867763 9UW sahara
7D0867763 Q70 light beige

(8) N 10155901
hexagon head bolt c/w shoulder / M8X20

8A N 0147432
allen key head bolt / M6X30
/ right

8B N 0152761
washer / 6X12X1,6
/ right

9 N 90116301
hexagonal head bolt / M8X22
/ left

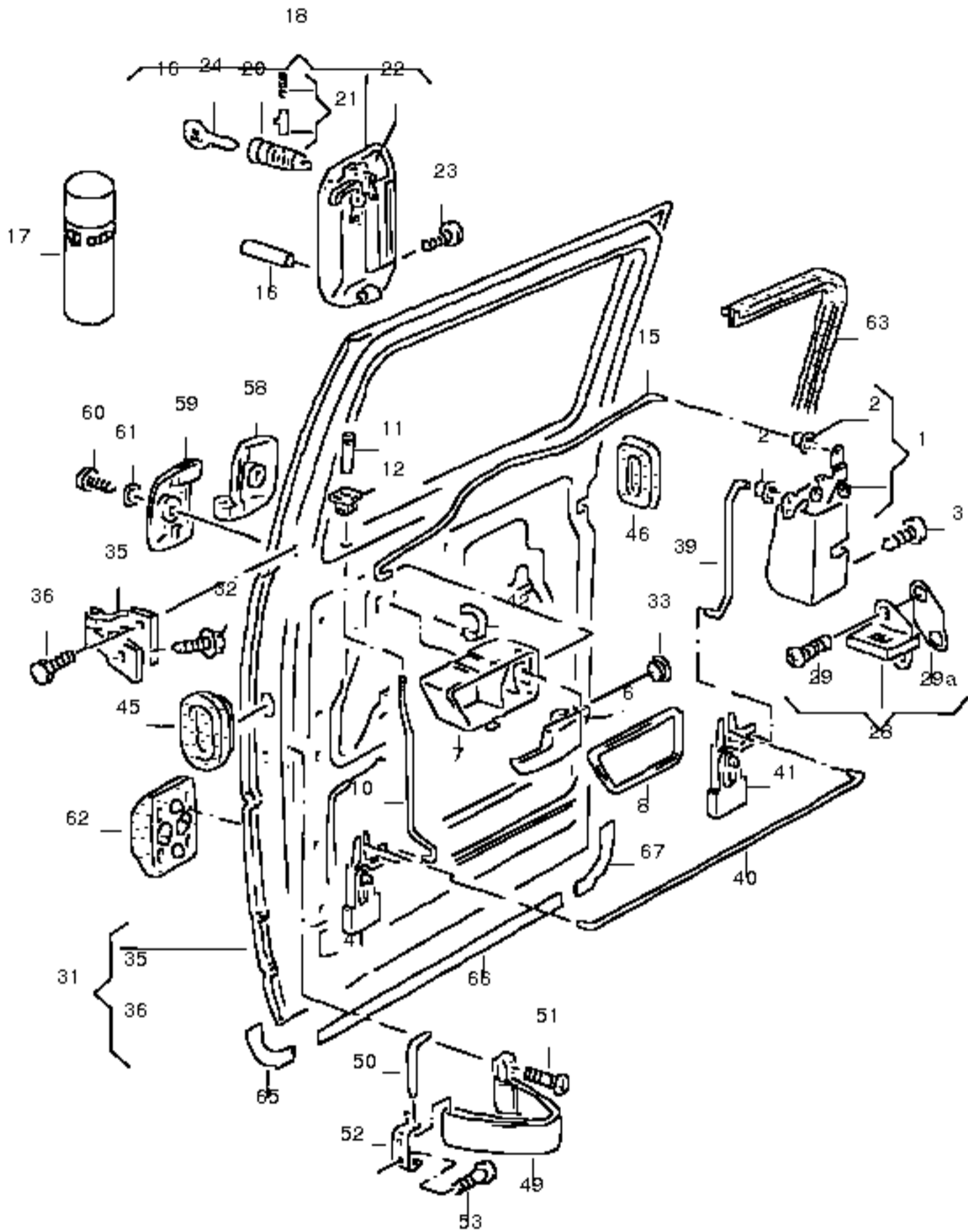
(10) 705867775
retainer bracket / left

(10A) 7D0867776
retainer bracket / right

(11) 7D0843144
tensioning strap

11A N 90706001
pop-rivet (combi.) / 4,8X20,5

11B 533863288A
felt strip (self-adhesive) 'order unit 25' / 20X3X880MM



crew cab door / double cab

(1) 701837015D
door lock / left
also use: / 7D0 837 767 A

(1) 702837015G
door lock with childproof catch / left / double cab

1 701837016E
door lock / right

(1) 701837016G
door lock with childproof catch / right

2 191837199
clip

3 N 0141395
fillister hd. bolt / M6X12

(6) 191837225
door inner operating lever / left
191837225 01C satin black

6 191837226
door inner operating lever / right
191837226 01C satin black

(7) 321837235A
interior release lever housing / left
321837235A 01C satin black

7 321837236A
interior release lever housing / right
321837236A 01C satin black

(8) 321837247
trim / left
321837247 01C satin black

8 321837248
trim / right
321837248 01C satin black

10 729841185
locking rod

11 357837187
knob for locking rod
357837187 01C satin black

12 701837355
collar
701837355 01C satin black

15 729841193
pull rod for interior release mechanism

16 N 0220421
spring pin / 2X14

17 G 052778A2
lock cylinder lubricant spray / 50ML

(18) 701837205
door handle, outer, black / left
use if required: / N 022 042 1

18 701837206
door handle, outer, black / right
use if required: / N 022 042 1

20 701837061C
lock cylinder for door handle without tumblers and key

system 'b' profile ah
for lock combination numbers: 1001-2000,3001-4000,6001-7086, 8201-9282

(21) 443898041A
1 set: tumbler plates for lock cylinder / 13,5MM

(22) 701837209
base / left

22 701837210
base / right

23 N 0141395
fillister hd. bolt / M6X12
see illustration: / 837-00

28 7D0837767A
striker plate
also use: / N 904 367 04
/ 701 837 279

29 N 90436704
oval head countersunk bolt / M8X22

29A 701837279
base

(31) 7D7841079E
crew cab door / left
also use: / N 101 041 01
7D7841079E GRU primed

31 7D7841080E
crew cab door / right
also use: / N 101 041 01
7D7841080E GRU primed

32 N 90322601
hexagonal head bolt / M10X27

33 N 10104101
plug / 41X51X10

35 729841511
hinge

36 N 01023911
hexagonal head bolt / M8X18

39 729841183
locking rod

40 729841187A
locking rod

41 193839825
relay lever / right

(41) 193839826
relay lever / left
no replacement part

45 333971904A
plug / 22,5/38,5

46 701843687
collar

49 729827543
retaining band

50 729841393
retaining pin
adapt with workshop equipment

51 N 0330212
countersunk bolt / M5X16SB

52 729841059B
fitting

53 N 0142265
countersunk bolt / AM6X15

58 729841561
hinge cover / left upper

(58) 729841561A
hinge cover / left lower

59 729841562
hinge cover / right upper

(59) 729841562A
hinge cover / right lower

60 N 01396626
oval head panel screw / 4,2X13STC

61 N 0116644
washer / B4,3X12X1

62 729841691
stop buffer / 70X40X20

(63) 7D0841817
gasket / 4240MM
7D0841817 01C satin black

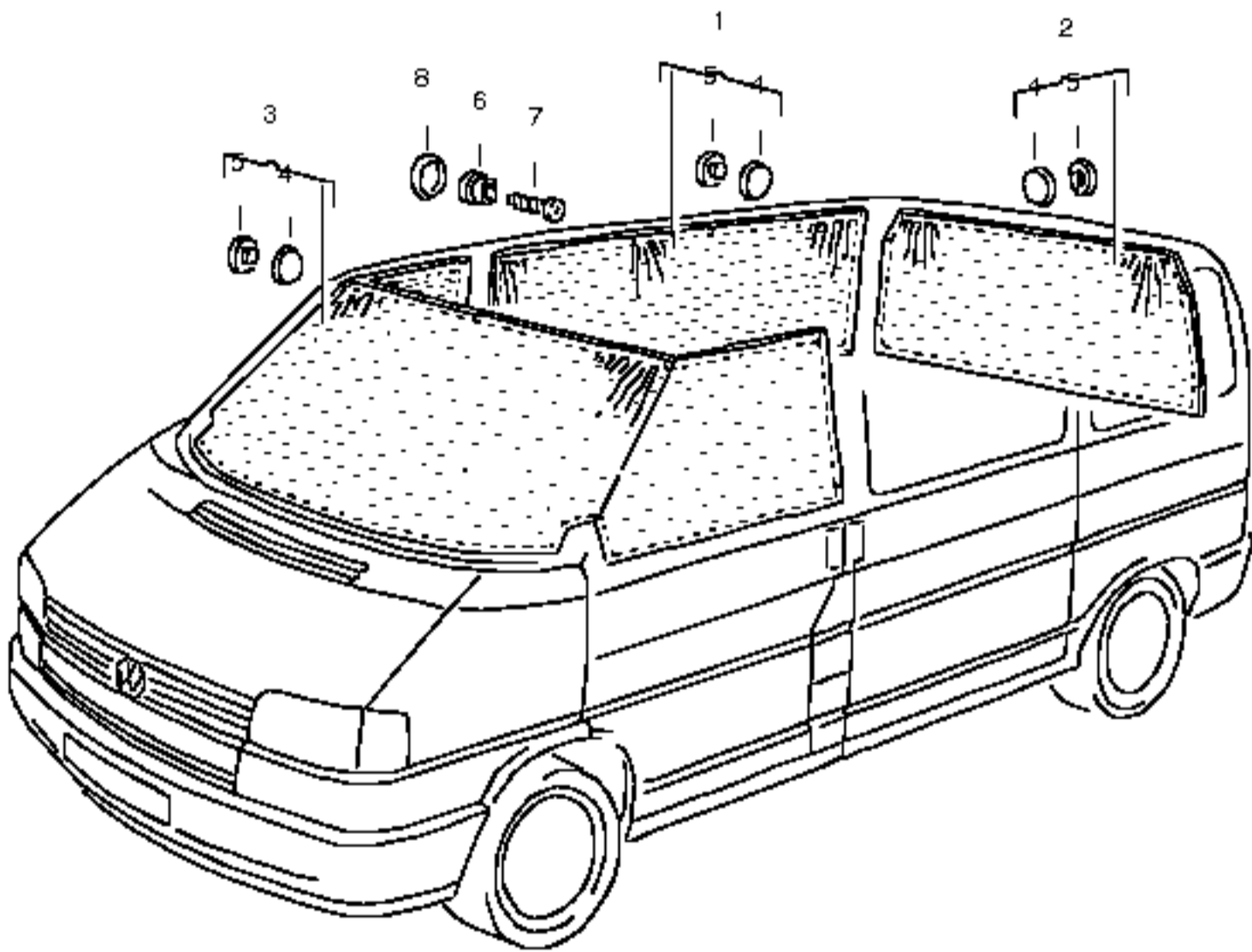
(65) 7D7841357
protective foil / left front

65 7D7841358A
protective foil / right front

66 7D0843358
protective foil / center
shorten to: / 530 MM

(67) 7D7841357A
protective foil / left rear

67 7D7841358B
protective foil / right rear



curtains

for models with tilting sunroof

high roof (plastic)

see illustration: / 070-70

- 703898751

1 set curtains / PR-3RC

703898751 2MP flannel grey

703898751 4PG light beige

- 703898751A

1 set curtains / PR-3RE

for vehicles with wing door

703898751A 2MP flannel grey

703898751A 4PG light beige

(1) 703862755

curtain for side window / left

703862755 2MP flannel grey

703862755 1PH sahara

703862755 4PG light beige

1 703862756

curtain for side window / right

703862756 2MP flannel grey

703862756 1PH sahara

703862756 4PG light beige

2 703862757

curtain for rear window

for vehicles with tailgate/boot lid panel

703862757 2MP flannel grey

703862757 1PH sahara

703862757 4PG light beige

(2) 703862757C

curtain for rear window / left

for vehicles with wing door

703862757C 1PH sahara

703862757C 4PG light beige

703862757C 2MP flannel grey

(2) 703862758

curtain for rear window / right

for vehicles with wing door

703862758 1PH sahara

703862758 4PG light beige

703862758 2MP flannel grey

- N 0141001

oval hd. csk. self-tapp. screw / ST4,8X25-C

3 703862761

curtain for cab

703862761 2MP flannel grey

703862761 1PH sahara

703862761 4PG light beige

4 141871439B

press stud cap

5 141871440B

press stud-spring part

6 311863481

press stud-ball part

7 N 0139575

oval head panel screw / B3,5X9,5

(7) N 0139587

oval head panel screw / ST3,5X13-C

(7) N 0139649

oval head panel screw / ST4,2X16-C

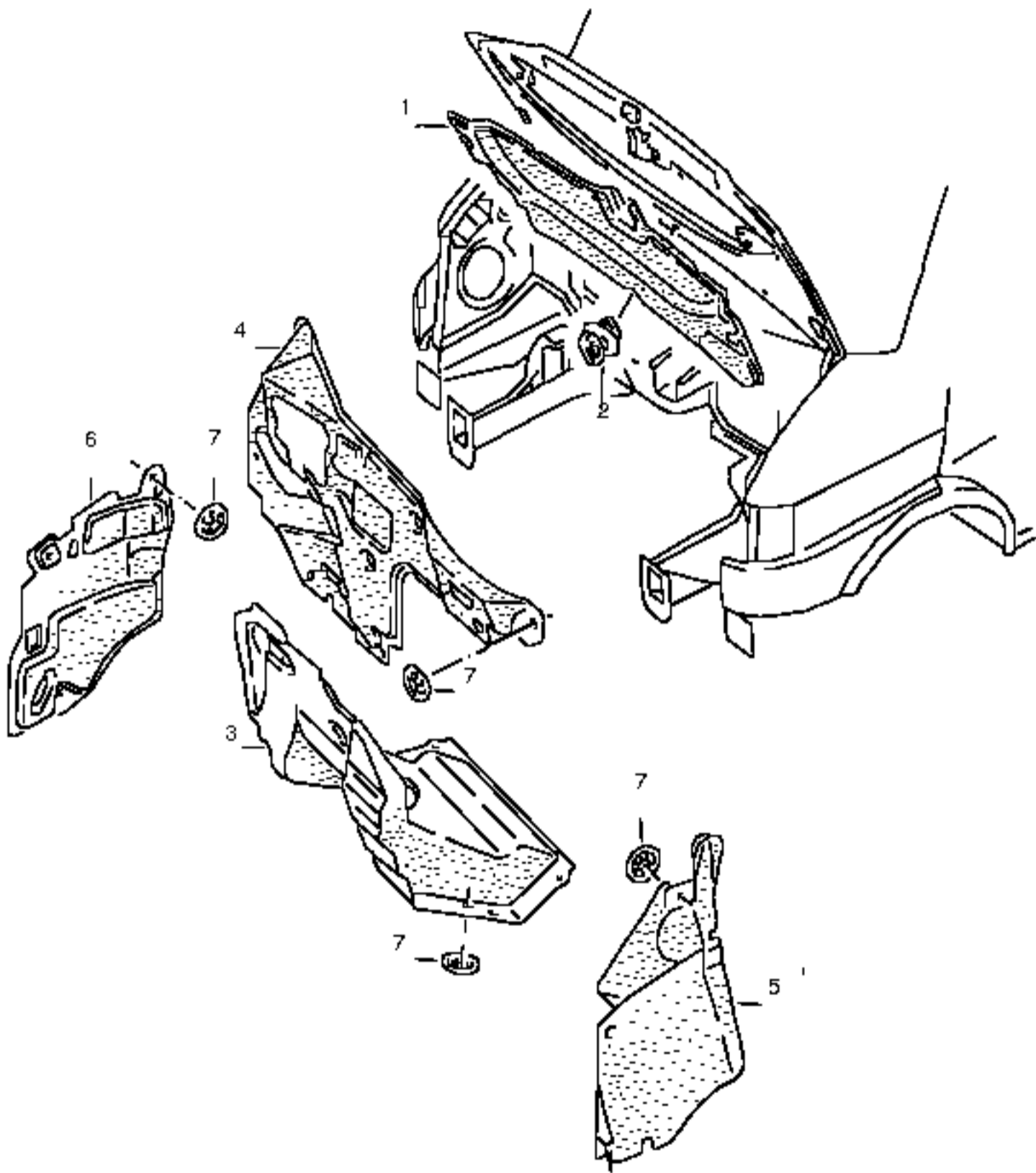
8 703862777

cover cap

703862777 Y20 pearl grey

703862777 9UW sahara

703862777 Q70 light beige



damping for engine compartment

1 701863825D

sound absorber for engine lid / PR-AC0

(1) 701863835

sound absorber for flap / front / PR-AC0
rework if necessary / diesel eng.

(1) 7D0863835A

sound absorber for flap / front / PR-AC1
rework if necessary

2 701863841

clip

(3) 7D1863931

sound absorber for cross panel / center lhd

(3) 702863931A

sound absorber for cross panel / center rhd

(4) 702863935

sound absorber for cross panel / left rhd

4 7D1863936

sound absorber for cross panel / right lhd

(5) 7D0863937

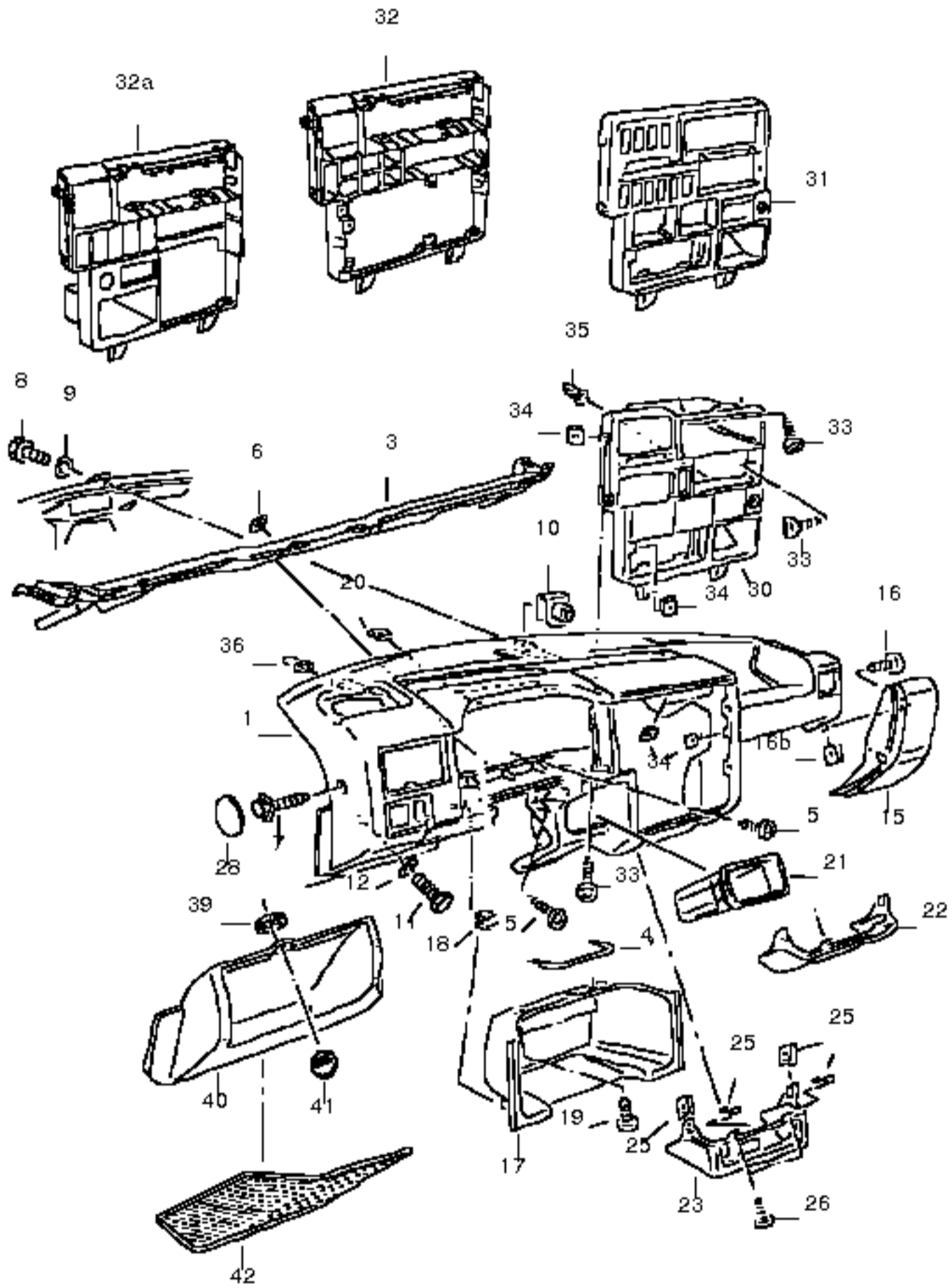
sound absorber for side wall / left

(6) 7D0863938A

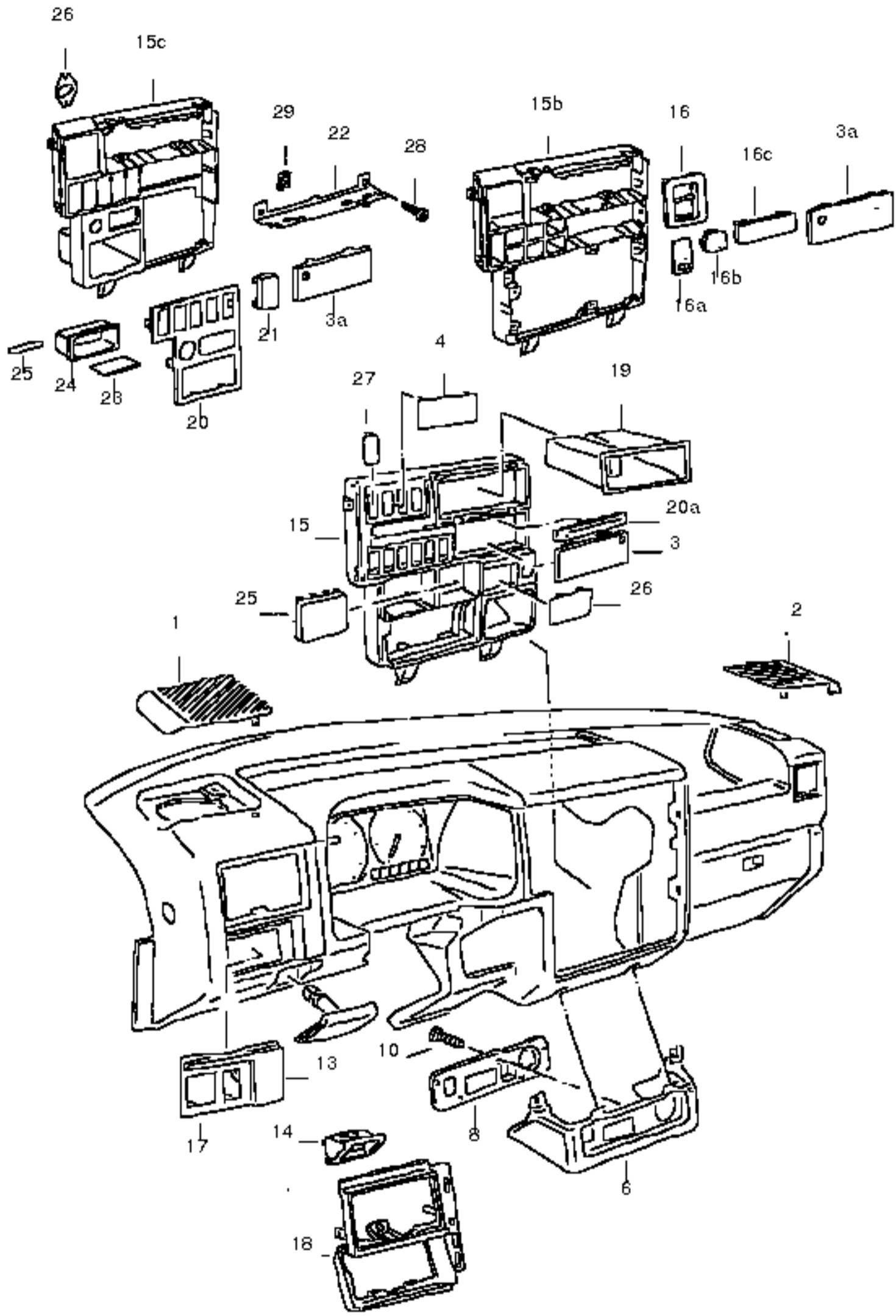
sound absorber for side wall / right

7 N 90335004

clamping washer / 5X30



- dashboard
dashboard fittings
- 357858043
rubber strip / 1530MM
- (1) 7D1857007
dashboard / lhd / PR-4N2
7D1857007 E91 mistral (grey)
- (1) 7D1857007M
dashboard / lhd / PR-4N2
7D1857007M E91 mistral (grey)
- (1) 7D1857007K
dashboard / lhd / PR-4N2
for models with airbag
(passenger side)
7D1857007K E91 mistral (grey)
- (1) 7D1857007P
dashboard / lhd / PR-4N2
for models with airbag
(passenger side)
7D1857007P E91 mistral (grey)
- (1) 7D1857007A
dashboard / lhd / PR-4N2,U0V
for vehicles with tachograph
7D1857007A E91 mistral (grey)
- (1) 7D1857007N
dashboard / lhd / PR-4N2,U0V
for vehicles with tachograph
7D1857007N E91 mistral (grey)
- (1) 7D1857007L
dashboard / lhd / PR-4N2,U0V
for models with airbag
(passenger side)
for vehicles with tachograph
7D1857007L E91 mistral (grey)
- (1) 7D1857007Q
dashboard / lhd
for models with airbag
(passenger side)
for vehicles with tachograph
7D1857007Q E91 mistral (grey)
- (1) 7D2857007
dashboard / rhd / PR-4N2
7D2857007 E91 mistral (grey)
7D2857007 2HP lagoon
- (1) 7D2857007F
dashboard / rhd / PR-4N2
7D2857007F E91 mistral (grey)
7D2857007F 2HP lagoon
- (1) 7D2857007D
dashboard / rhd / PR-4N2,4UE
for models with airbag
(passenger side)
7D2857007D E91 mistral (grey)
7D2857007D 2HP lagoon
- (1) 7D2857007H
dashboard / rhd / PR-4N2,4UE
for models with airbag
(passenger side)
7D2857007H E91 mistral (grey)
7D2857007H 2HP lagoon
- (1) 7D2857007A
dashboard / rhd / PR-4N2,U0V
for vehicles with tachograph
7D2857007A E91 mistral (grey)
7D2857007A 2HP lagoon
- (1) 7D2857007G
dashboard / rhd / PR-4N2,U0V
for vehicles with tachograph
7D2857007G E91 mistral (grey)
7D2857007G 2HP lagoon
- (1) 7D2857007E
dashboard / rhd / PR-4N2,4UE,
for models with airbag / U0V
(passenger side)
for vehicles with tachograph
7D2857007E E91 mistral (grey)
- (1) 7D2857007J
dashboard / rhd / PR-4N2,4UE,
for models with airbag / U0V
(passenger side)
for vehicles with tachograph
7D2857007J E91 mistral (grey)
7D2857007J 2HP lagoon
- (1) 7D1857007C
dashboard, padded / lhd / PR-4N1,4UA/
for vehicles with/without front passenger airbag / 4UC/4UE
7D1857007C 8EL mistral (grey)
7D1857007C 8HS lagoon
- (1) 7D1857007S
dashboard, padded / lhd / PR-4N1,4UA/
for vehicles with/without front passenger airbag / 4UC/4UE
7D1857007S 8EL mistral (grey)
7D1857007S 8HS lagoon
- (1) 7D1857007D
dashboard, padded / lhd / PR-4N1,4UA/
for vehicles with/without front passenger airbag / 4UC/4UE
for models with choke cable
7D1857007D 8EL mistral (grey)
7D1857007D 8HS lagoon
- (1) 7D1857007T
dashboard, padded / lhd / PR-4N1,4UA/
for vehicles with/without front passenger airbag / 4UC/4UE
for models with choke cable
7D1857007T 8EL mistral (grey)
7D1857007T 8HS lagoon
- 3 7D1857010T
cross member for dashbord / lhd / PR-7Q0/7Q5
- (3) 7D1857010AC
cross member for dashbord / lhd / PR-7Q2
for vehicles with navigation system and integrated radio
F 70-1H012 494>>
F 70-1X064 629>>
- (3) 7D2857010B
cross member for dashbord
F >> 70-XH051 759 / rhd
- (3) 7D2857010C
cross member for dashbord
F 70-XH051 760>> 70-XH067 499 / rhd
- (3) 7D2857010E
cross member for dashbord / rhd
F 70-XH067 500>> 70-1H048 297
F 70-XX060 500>> 70-1X047 902
- (3) 7D2857010J
cross member for dashbord / rhd
F 70-XH048 298>>
F 70-XX047 903>>
- 7D1858881
shackle
- 5 N 90241203
fillister hd. bolt / M4X20
- 6 N 90282501
snap nut / 3,1X13X11,5
- 7 N 90404701
hexagon head bolt (combi) / M5X22
- 8 N 01021612
hexagonal head bolt / M6X18
- 9 N 01166615
washer / 6,4X18X1,6
- 10 N 90168604
snap nut / M6X16X24
- 11 N 01023820
hexagonal head bolt / M8X15
- 12 N 01167016
washer / 8,4X24X2
see illustration: / 857-20
- 17 7D0857237
trim / lhd
use if required: / 357 858 043
7D0857237 01C satin black
- 17 7D0857237A
trim / lhd
use if required: / 357 858 043
7D0857237A 01C satin black
- (17) 7D2857237
trim / rhd
use if required: / 357 858 043
7D2857237 01C satin black
- (17) 7D2857237A
trim / rhd
use if required: / 357 858 043
7D2857237A 01C satin black
- 357858043
rubber strip / 1530MM
shorten to: / 210MM
- 18 867867244
spring clamp
- 19 N 90241203
fillister hd. bolt / M4X20
shorten to: / 15MM
- 20 N 90650101
snap nut / 3,1X16,5X11
- 21 705857921
shelf/stowage compartment
for models with padded dashboard
705857921 01C satin black
- 22 701857243
trim
dashboard / center
701857243 E91 mistral (grey)
701857243 J51 lagoon
- 23 701857243A
console
dashboard / center
701857243A E91 mistral (grey)
701857243A J51 lagoon
- 25 N 90650101
snap nut / 3,1X16,5X11
- 26 N 90241203
fillister hd. bolt / M4X20
- 28 357857958A
cover cap
357857958A E91 mistral (grey)
357857958A J51 lagoon
- 32 7D1858089D
insert for dashboard / center lhd
7D1858089D 01C satin black
- (32) 7D2858089D
insert for dashboard / center rhd
7D2858089D 01C satin black
- 32A 7D1858089F
insert for dashboard / center lhd
7D1858089F 01C satin black
- (32A) 7D1858089G
insert for dashboard / center lhd
7D1858089G 01C satin black
- (32A) 7D2858089F
insert for dashboard / center rhd
7D2858089F 01C satin black
- 33 N 90241203
fillister hd. bolt / M4X20
shorten to: / 15MM
- 34 N 90650101
snap nut / 3,1X16,5X11
- 36 357858507A
grommet
- 39 7D0862518
retaining segment
- (40) 7D1863041B
covering / lhd
central electrics
7D1863041B E91 mistral (grey)
7D1863041B J51 lagoon
- (40) 7D2863042B
covering / rhd
central electrics
7D2863042B E91 mistral (grey)
7D2863042B 2HP lagoon
- (41) 701858979
clip
- 42 7D0858579
insert for stowage box
7D0858579 E91 mistral (grey)
7D0858579 J51 lagoon



dashboard fittings

(1) 7D1857209

loudspeaker grille / left

7D1857209 E91 mistral (grey)

7D1857209 J51 lagoon

(1) 7D1857209A

loudspeaker grille / left

for models with padded dashboard

7D1857209A 2HP lagoon

7D1857209A 6EK mistral (grey)

(2) 7D1857210

loudspeaker grille / right

7D1857210 E91 mistral (grey)

7D1857210 J51 lagoon

(2) 7D1857210A

loudspeaker grille / right

for models with padded dashboard

7D1857210A 2HP lagoon

7D1857210A 6EK mistral (grey)

3A 1H0857231A

trim for radio aperture

1H0857231A 01C satin black

6 701857243A

console

dashboard / center

see illustration: / 857-00

701857243A E91 mistral (grey)

701857243A J51 lagoon

8 7D0857318

carrier

(8) 7D0857318A

carrier

10 N 90364201

fillister hd. bolt / E3,5X16

13 701857367

cover cap

701857367 E91 mistral (grey)

701857367 J51 lagoon

14 705858519

handle recess / diesel eng.

mounting for choke/cable

for models with padded dashboard

705858519 01C satin black

see illustration: / 857-00

see illustration: / 857-00

16 701858139

trim for switch

for emergency warning light

16A 701858225

covering

for diagnosis plug

701858225 01C satin black

16B 3A0858179

blind cover / 28X46,5

3A0858179 01C satin black

16C 3A0858180A

blind cover / 28X141,6

3A0858180A 01C satin black

18 701858255

switch bracket / lhd

701858255 01C satin black

(18) 7D2858256

switch bracket / rhd

7D2858256 01C satin black

20 7D1858100A

switch bracket / lhd

7D1858100A 01C satin black

(20) 7D2858100A

switch bracket / rhd

7D2858100A 01C satin black

21 7D0858179

blind cover / 26X44,4

7D0858179 01C satin black

22 7D0858285

intermediate piece

23 7D0858577A

rubber packing

7D0858577A 01C satin black

24 7D0857925

tray

7D0857925 01C satin black

25 7D0857355

fibre optic conductor / red

ashtray light

7D0857355 62L transparent

26 7D0857515

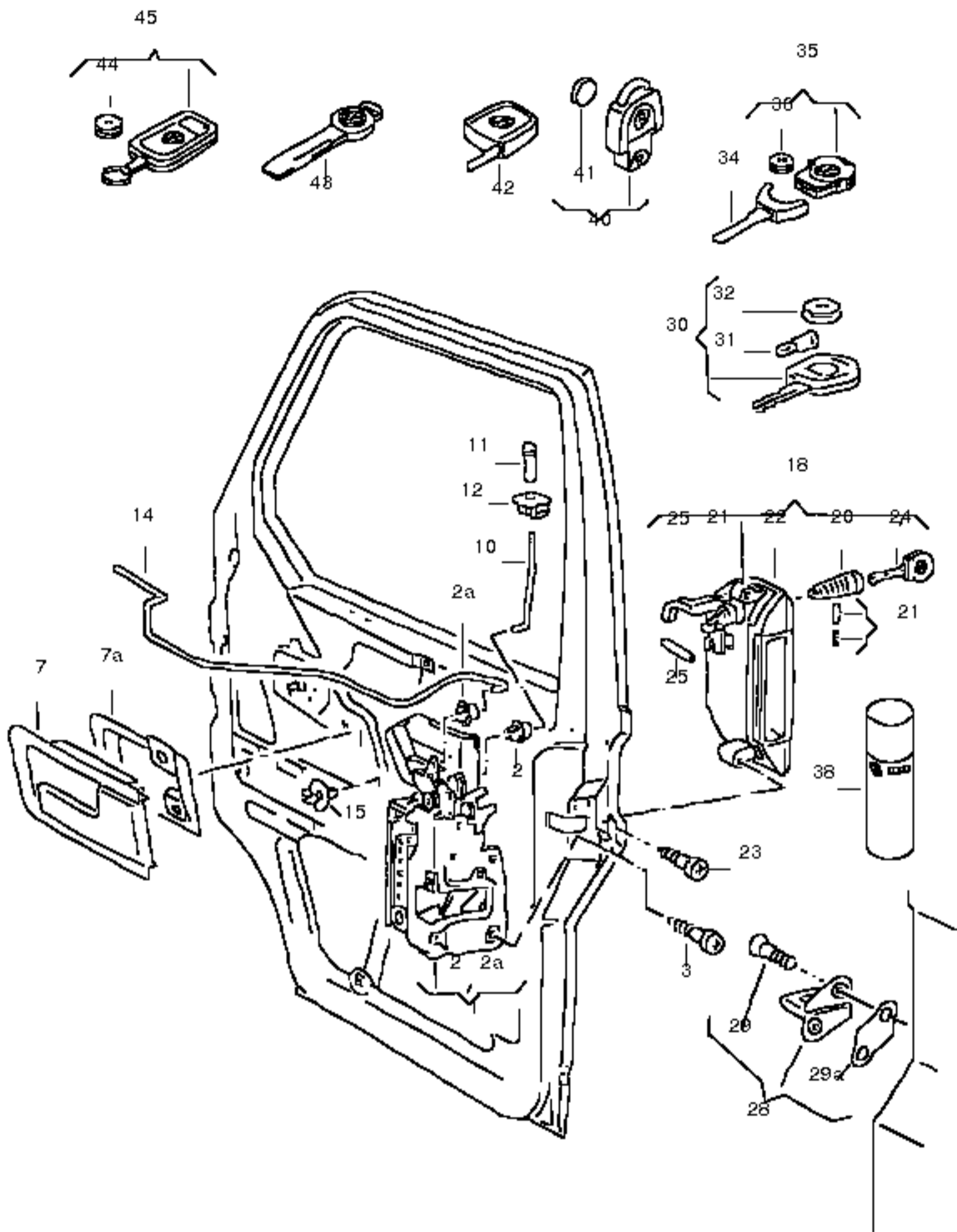
mounting

28 N 90448401

fillister hd. bolt / M4X15

29 N 90650101

snap nut / 3,1X16,5X11



door lock / front
door inner operating lever
door handle, outer

(1) 701837015D
door lock / left lhd

(1) 701837015D
door lock / left lhd
for vehicles with central locking system

(1) 701837015D
door lock / left rhd

(1) 701837015D
door lock / left rhd
for vehicles with central locking system

1 701837016E
door lock / right lhd

(1) 701837016E
door lock / right lhd
for vehicles with central locking system

(1) 702837016D
door lock / right rhd

(1) 702837016D
door lock / right rhd
for vehicles with central locking system

2 191837199
clip

2A 171837199
clip

3 N 0141395
fillister hd. bolt / M6X12

(7) 701837019A
door inner operating lever / left
701837019A U71 flannel grey / -BU,BX,LS,MA

(7) 7D0837019A
door inner operating lever / left
7D0837019A 2HP lagoon / -TS,UE,VJ,AP, / KR,06,YQ
7D0837019A 6PE sahara / -BT,NB,UG,VK
7D0837019A 7DE flannel grey / -AB,AQ,BS,KQ,
/ MA,RW,RX,RY,
/ RZ,TU,TV,UF,
/ WK,WL,XL,22,
/ UC,51
7D0837019A 28R light beige / -KS,VH,NA,YR

(7) 7D0837019B
door inner operating lever / left
/ chrome
7D0837019B 2HP lagoon
7D0837019B 28R light beige
7D0837019B 7DE flannel grey

(7) 701837020A
door inner operating lever / right
701837020A U71 flannel grey / -BU,BX,LS,MA

(7) 7D0837020A
door inner operating lever / right
7D0837020A 2HP lagoon / -AP,KR,TS,UE, / VJ,06,YQ
7D0837020A 6PE sahara / -BT,NB,UG,VK
7D0837020A 7DE flannel grey / -AB,AQ,BS,KQ,
/ MA,RW,RX,RY,
/ RZ,TU,TV,UC,
/ UF,WK,WL,XL,
/ UC,51,22
7D0837020A 28R light beige / -KS,VH,NA,YR

(7) 7D0837020B
door inner operating lever / right
/ chrome
7D0837020B 2HP lagoon
7D0837020B 28R light beige
7D0837020B 7DE flannel grey

7A 7D0837241
sealing / left

(7A) 7D0837242
sealing / right

(10) 701837183
locking rod for door lock / left

10 701837184
locking rod for door lock / right

11 357837187
knob for locking rod
357837187 01C satin black

12 701837355
collar
701837355 01C satin black

(14) 701837193A
pull rod / left

14 701837194C
pull rod / right

15 701837199A
clip

(18) 701837205
door handle, outer, black / left
use if required: / N 022 042 1

18 701837206
door handle, outer, black / right
use if required: / N 022 042 1

20 701837061C
lock cylinder for door handle without tumblers and key

system 'b' profile ah
for lock combination numbers: 1001-2000,3001-4000,6001-7086, 8201-9282

(21) 443898041
1 set: tumbler plates for lock cylinder / 12MM
/ AH,AN,VB,HV,
/ NV,N,FB,OA,OB

(21) 443898041A
1 set: tumbler plates for lock cylinder / 13,5MM

(22) 701837209
base / left

22 701837210
base / right

23 N 0141395
fillister hd. bolt / M6X12

(24) 7D0837219
main key with variable code transponder

profile ah
quote key number for cut keys

F >> 70-Y-047 400
7D0837219 01C satin black

(24) 7D0837219J
main key with variable code transponder

profile ah
quote key number for cut keys

F 70-Y-047 401 >>
7D0837219J 01C satin black

25 N 0220421
spring pin / 2X14

28 7D0837767D
striker plate
also use: / N 904 367 04
/ 701 837 279

29 N 90436704
oval head countersunk bolt / M8X22

29A 701837279
base

30 7D0837219A
main key with light and variable code transponder

profile ah
quote key number for cut keys

F >> 70-Y-047 400
7D0837219A 01C satin black

(30) 7D0837219H
main key with light and variable code transponder

profile ah
quote key number for cut keys

F 70-Y-047 401 >>
7D0837219H 01C satin black

31 N 90314501
bulb / 1,5V/0,09A

32 N 90262401
micro-cell battery / 1,5V

34 7D0837246
main key with variable code transponder / 433,92MHZ / PR-5D1
for models with radio remote control central locking system

F >> 70-Y-047 400

(34) 7D0837246B
main key with variable code transponder / 433,92MHZ / PR-5D1
for models with radio remote control central locking system

F 70-Y-047 401 >>

(34) 7D0837246C
main key with variable code transponder / 315MHZ / PR-5D2
for models with radio remote control central locking system

F 70-1-010 001 >>*

35 7M0959753E
transmitter for radio remote control central locking system / 433,92MHZ / PR-5D1

36 N 10322101
micro-cell battery / 3,0V

38 G 052778A2
lock cylinder lubricant spray / 50ML
servicing materials

40 7D0959753C
transmitter for radio remote control central locking system / 2 buttons / PR-5D1
/ 433,92MHZ

F 70-1-000 890 >>*

41 N 10528301
micro-cell battery / 3,0V
F 70-1-000 890 >>*

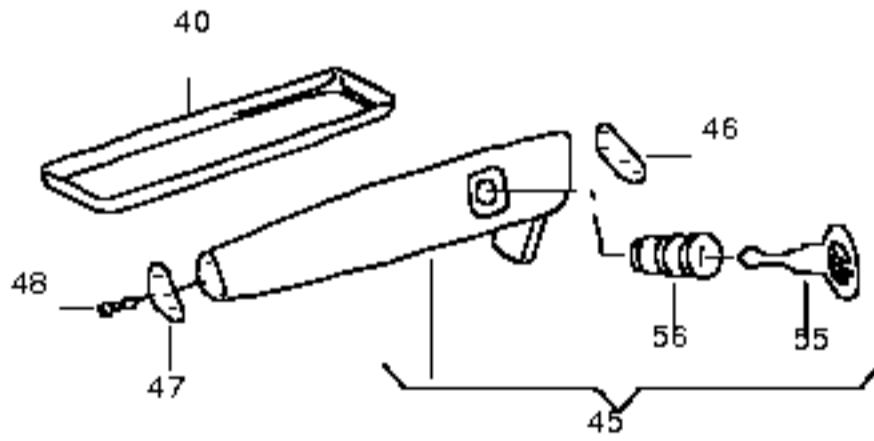
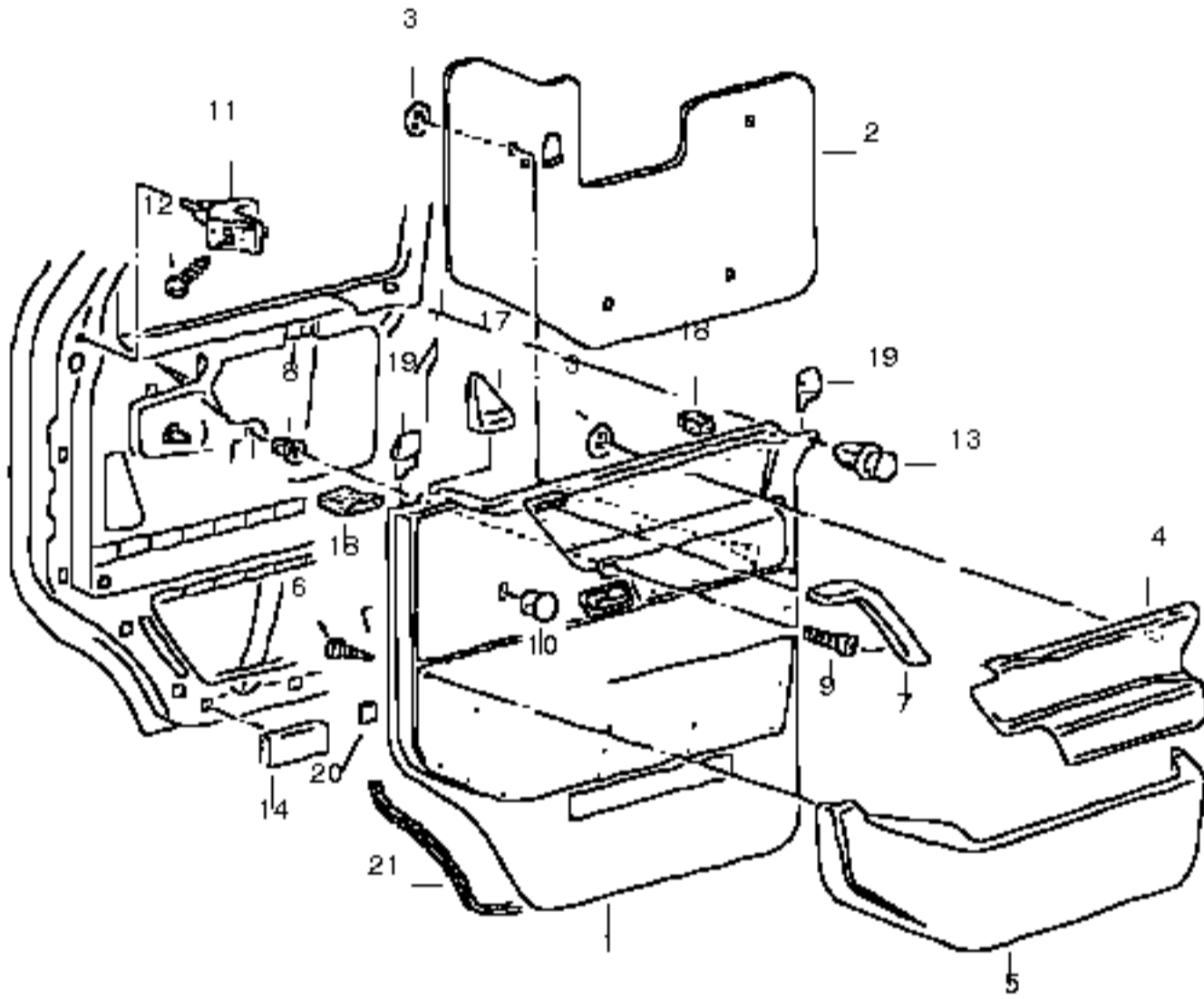
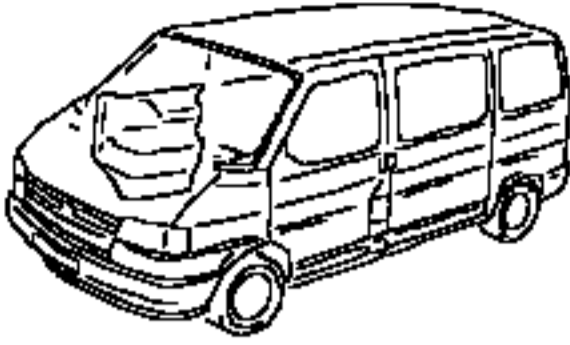
42 7D0837246D
main key with variable code transponder (folding key) .
for models with radio remote control central locking system

F 70-1-000 890 >>*
7D0837246D 01C satin black

43 7D0837216
emergency key with variable code transponder
* key code number and/or * * chassis number must be * * quoted when ordering *

F 70-1-000 890 >>*
7D0837216 01C satin black

44 N 10517001
micro-cell battery / 3,0V / TAXI



door trim panels / front
storage box
pull handle
F >>> 70-1-200 000

(1) 701867105B
door trim panel / left / PR-3LN/5YE
701867105B U71 flannel grey

(1) 705867105B
door trim panel without centre part / left / PR-3LP/3LQ/
/ 5YG
use if required: / 705 867 123
705867105B 6PE sahara

(1) 705867105C
door trim panel without centre part / left / PR-3LP/3LQ/
/ 5YG
705867105C 7DE flannel grey
705867105C 2HP lagoon
705867105C 28R light beige / -KS,NA,YR

1 701867106C
door trim panel / right / PR-3LN/5YE
701867106C U71 flannel grey

(1) 701867106B
door trim panel / right
for dual passenger seat
701867106B U71 flannel grey

(1) 705867106B
door trim panel without centre part / right / PR-3LP/3LQ/
/ 5YG
use if required: / 705 867 124
705867106B 6PE sahara

(1) 705867106C
door trim panel without centre part / right
use if required: / 705 867 124
705867106C 2HP lagoon
705867106C 28R light beige / -KS,NA,YR
705867106C 7DE flannel grey

2 705868421G
sound abs. for door trim panel

(2) 705868421B
sound abs. for door trim panel
for vehicles with vent trim

3 N 90060201
clamping washer / C-6X13,5

(4) 705867123
door trim panel, centre part / left / PR-3LQ
cloth
705867123 7QG lagoon / -TS
705867123 9QH flannel grey / -TU,TV
705867123 2EU flannel grey / -BS,UF
705867123 3EK flannel grey / -AB
705867123 3EV flannel grey / -WK,WL,XL
705867123 3EU flannel grey / -AQ,RW,RX,RY, / RZ,UC,22,51
705867123 3EU flannel grey / -UC
705867123 72C flannel grey / -UC
705867123 4TQ lagoon / -AP
705867123 3PE sahara / -UG
705867123 4HS lagoon / -UE
705867123 2EY flannel grey / -KQ
705867123 4PP light beige / -KS
705867123 30J lagoon / -KR

(4) 705867124
door trim panel, centre part / right / PR-3LQ
cloth
705867124 7QG lagoon / -TS
705867124 9QH flannel grey / -TU,TV
705867124 2EU flannel grey / -BS,UF
705867124 3EK flannel grey / -AB
705867124 3EV flannel grey / -WK,WL,XL
705867124 3EU flannel grey / -AQ,RW,RX,RY, / RZ,UC,22,51
705867124 3EU flannel grey / -UC
705867124 73E flannel grey / -UC
705867124 4TQ lagoon / -AP
705867124 3PE sahara / -UG
705867124 4HS lagoon / -UE
705867124 30J lagoon / -KR
705867124 4PP light beige / -KS
705867124 2EY flannel grey / -KQ

(4) 705867123D
door trim panel, centre part / left / PR-5YG
for models with leather trim
705867123D P53 sahara / -VK

(4) 705867123E
door trim panel, centre part / left / PR-5YG
for models with leather trim
705867123E G69 lagoon
705867123E 9PN light beige

(4) 705867124D
door trim panel, centre part / right / PR-5YG
for models with leather trim
705867124D P53 sahara / -VK

(4) 705867124E
door trim panel, centre part / right / PR-5YG
for models with leather trim
705867124E G69 lagoon
705867124E 9PN light beige / -VH,YR

(5) 701867131
storage box / left
701867131 U71 flannel grey / -BU,BX,LS

(5) 701867131A
storage box / left
701867131A 2HP lagoon / -TS,06,AP
701867131A 6PE sahara / -BT,NB,VI,VK
701867131A 7DE flannel grey / -AB,BS,MA,TU
/ TV,UF,WK,WL
/ XL,AQ,KQ,RW
/ UC,22

(5) 701867131E
storage box / left
(leatherette/cloth)
for vehicles prepared for radio
701867131E 2HP lagoon
701867131E 6PE sahara
701867131E 7DE flannel grey
701867131E 28R light beige

5 701867132
storage box / right
701867132 U71 flannel grey / -BU,BX,LS

(5) 701867132A
storage box / right
701867132A 2HP lagoon / -TS,06
701867132A 6PE sahara / -BT,NB
701867132A 7DE flannel grey / -AB,BS,MA,TU
/ TV,UF,WK,WL
/ XL,KQ,AQ,RW
/ UC,22

(5) 701867132E
storage box / right
(leatherette/cloth)
for vehicles prepared for radio
701867132E 2HP lagoon
701867132E 6PE sahara
701867132E 7DE flannel grey
701867132E 28R light beige
loudspeaker grille
** see accessories catalog **

6 N 90434702
oval head panel screw / E4,8X16

(7) 701867161A
pull handle / left / pick-up
comprising: / 7D0 867 197 C / delivery van
/ 7D0 867 179 D / NUTZFAHRZEUG
701867161A U71 flannel grey

7 7D0867161B
pull handle / left / MULTIVAN
comprising: / 7D0 867 197 / CARAVELLE
/ 701 867 179
7D0867161B 6PE sahara

7 7D0867161C
pull handle / left / MULTIVAN
comprising: / 7D0 867 197 D / CARAVELLE
/ 7D0 867 179 D
7D0867161C R48 light beige / -KS,NA
7D0867161C 2HP lagoon / -AP,KR

7 701867161A
pull handle / left / MULTIVAN
comprising: / 7D0 867 197 C / CARAVELLE
/ 7D0 867 179 D
701867161A U71 flannel grey / -AQ,BU,BX,KQ,
/ LS,MA,RW,RX,
/ RY,RZ,UC,WL,
/ XL,22,41,43,
/ 44,51,80

(7) 7D0867161A
pull handle / left
for models with leather trim
7D0867161A G90 lagoon / -VJ,YQ
7D0867161A P53 sahara / -VK
7D0867161A R08 light beige / -VH,YR

(7) 701867162A
pull handle / right
comprising: / 7D0 867 198 C
/ 7D0 867 180 D
701867162A U71 flannel grey

(7) 7D0867162B
pull handle / right / MULTIVAN
comprising: / 7D0 867 198 / CARAVELLE
/ 701 867 180
7D0867162B 6PE sahara

(7) 7D0867162C
pull handle / right / MULTIVAN
comprising: / 7D0 867 198 D / CARAVELLE
/ 7D0 867 180 D
7D0867162C R48 light beige / -KS,NA
7D0867162C 2HP lagoon / -AP,KR
7D0867162C 7DE flannel grey / -AQ,BU,BX,KQ,
/ LS,MA,RW,RX,
/ RY,RZ,UC,WL,
/ XL,22,41,43,
/ 44,51,80

(7) 7D0867162A
pull handle / right
for models with leather trim
7D0867162A G90 lagoon / -VJ,YQ
7D0867162A P53 sahara / -VK
7D0867162A R08 light beige / -VH,YR

8 N 90252104
rivetted cap nut / AM6/0,5-3

9 N 0141433
fillister hd. bolt / AM6X22SB

10 701867164
cover cap / authority
for models with electrically operated windows / double cab
/ pick-up
/ delivery van
701867164 U71 flannel grey

(10) 7D0867164
cover cap
for models with electrically operated windows
7D0867164 2HP lagoon
7D0867164 6PE sahara
7D0867164 7DE flannel grey
7D0867164 R48 light beige

11 321867299B
clip

12 N 90157501
panel screw / B4,2X25

13 701867299E
clip
701867299E J51 lagoon
701867299E Q70 light beige
701867299E U71 flannel grey
701867299E 9UW sahara

14 893867299
clamping piece

18 701898091
set of seals for door trim panel / left

(18) 701898092
set of seals for door trim panel / right

(19) 701867691C
connecting part / left front
701867691C J51 lagoon
701867691C U71 flannel grey
701867691C 9UW sahara

(19) 701867693B
connecting part / left rear
701867693B J51 lagoon
701867693B U71 flannel grey
701867693B 9UW sahara

(19) 701867692C
connecting part / right front
701867692C J51 lagoon
701867692C U71 flannel grey
701867692C 9UW sahara

(19) 701867694B
connecting part / right rear
701867694B J51 lagoon
701867694B U71 flannel grey
701867694B 9UW sahara

21 701867225D
gasket 'order unit 4'

40 701868133
insert for stowage box / left / PR-8RA/8RD/
/ 8RH
701868133 J51 lagoon
701868133 U71 flannel grey
701868133 9UW sahara

(40) 701868133A
insert for stowage box / left / PR-8RE/8RL
701868133A J51 lagoon
701868133A U71 flannel grey
701868133A 9UW sahara

(40) 701868134
insert for stowage box / right / PR-8RA/8RD/
/ 8RH
701868134 J51 lagoon
701868134 U71 flannel grey
701868134 9UW sahara

(40) 701868134A
insert for stowage box / right / PR-8RE/8RL
701868134A J51 lagoon
701868134A U71 flannel grey
701868134A 9UW sahara

45 7D1868885
cover / left
shelf/stowage compartment
7D1868885 2HP lagoon
7D1868885 28R light beige
7D1868885 7DE flannel grey

46 7D1857475A
retaining panel / left

47 7D1857475
retaining panel / right

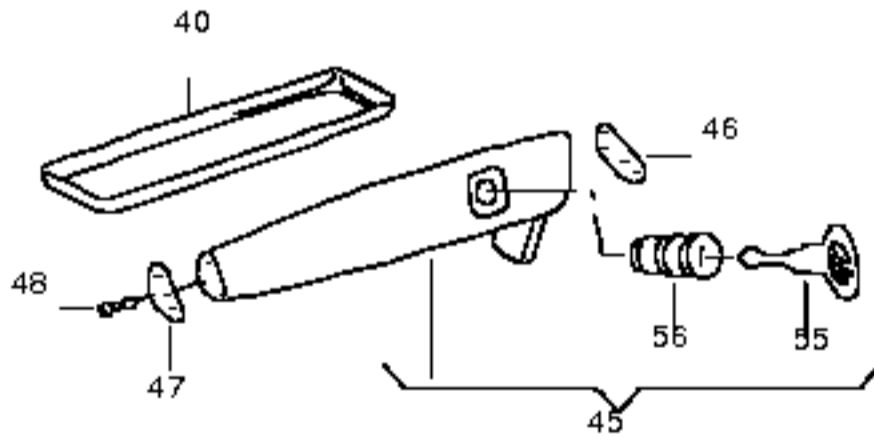
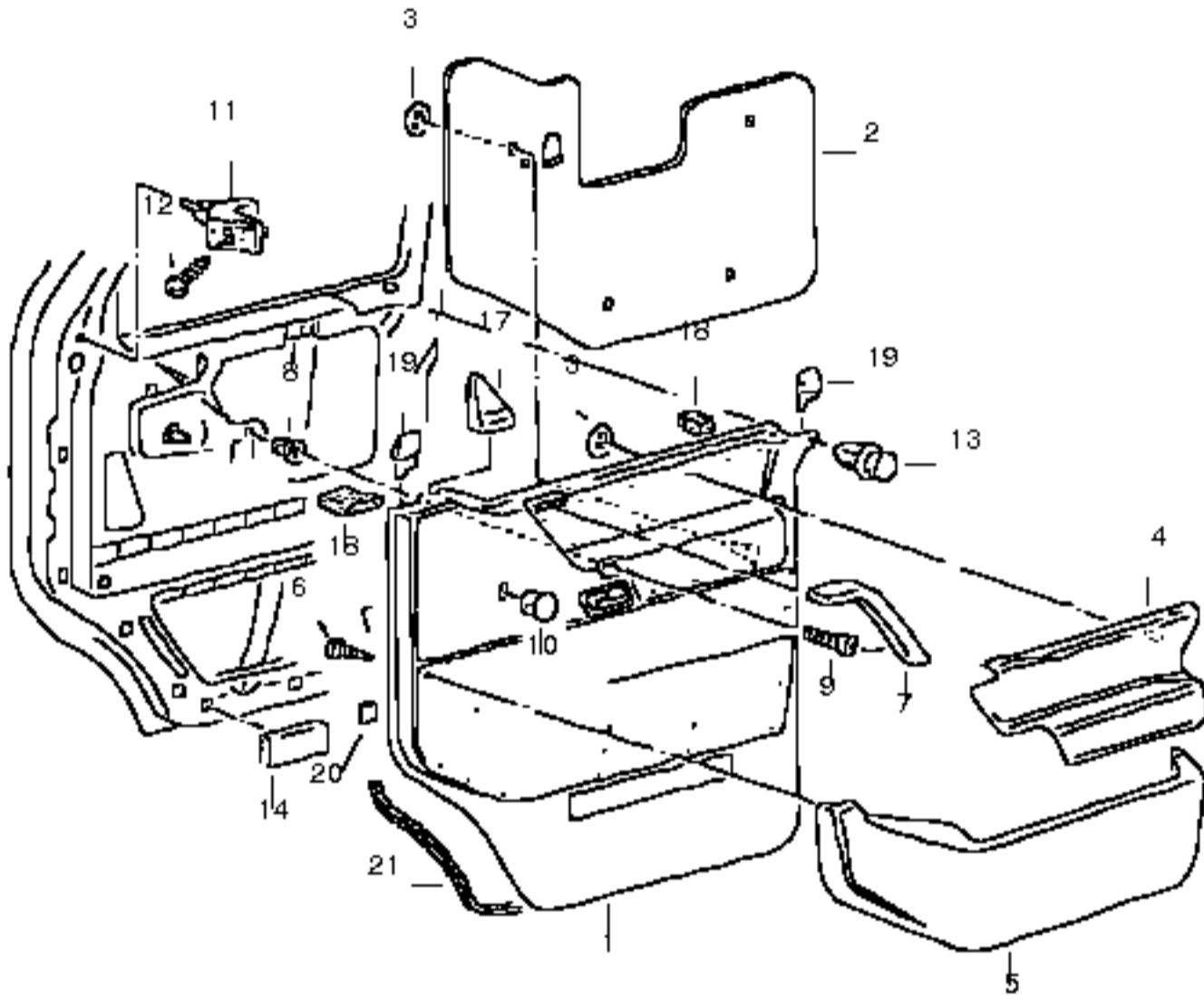
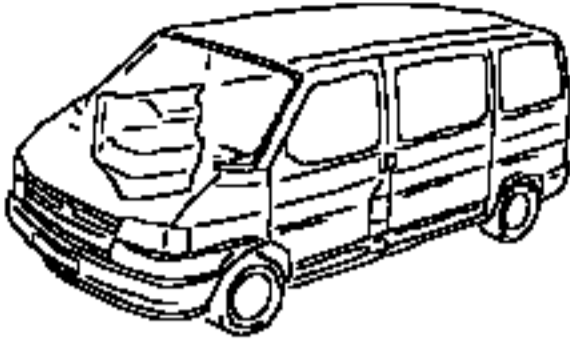
48 N 0139649
oval head panel screw / ST4,2X16-C

55 357837219A
main key
profile ah
quote key number for cut keys

56 7D0857113B
lock cylinder

- 533863288A
felt strip (self-adhesive) 'order unit 25' / 20X3X880MM

- 705868835
foam packing (self-adhesive)



door trim panels / front
storage box
pull handle
F 70-2-000 001>>

(1) 701867105B
door trim panel / left / PR-3LN/5YE
701867105B U71 flannel grey

(1) 705867105C
door trim panel without centre part / left / PR-3LP/3LQ/
/ 5YG
use if required: / 705 867 123
/ in appropriate colour .
705867105C 2HP lagoon / -AP,KR,YQ
705867105C 28R light beige / -KS,NA,YR
705867105C 7DE flannel grey / -AQ,BU,BX,KQ,
/ LS,MA,RW,RX,
/ RY,RZ,UC,WL,
/ XL,22,39,41,
/ 43,44,51,79,
/ 80,89,90

1 701867106C
door trim panel / right / PR-3LN/5YE
701867106C U71 flannel grey

(1) 701867106B
door trim panel / right
for dual passenger seat
701867106B U71 flannel grey

(1) 705867106C
door trim panel without centre part / right / PR-3LP/3LQ/
/ 5YG
use if required: / 705 867 124
/ in appropriate colour .
705867106C 2HP lagoon / -AP,KR,YQ
705867106C 28R light beige / -KS,NA,YR
705867106C 7DE flannel grey / -AQ,BU,BX,KQ,
/ LS,MA,RW,RX,
/ RY,RZ,UC,WL,
/ XL,22,39,41,
/ 43,44,51,79,
/ 80,89,90

2 705868421G
sound abs. for door trim panel

(2) 705868421B
sound abs. for door trim panel
for vehicles with vent trim

3 N 90060201
clamping washer / C-6X13,5

(4) 705867123
door trim panel, centre part / left / PR-3LQ
cloth
705867123 2EY flannel grey / -KQ
705867123 3EU flannel grey / -AQ,RW,RX,RY, / RZ,UC,22,39, / 51
705867123 3EV flannel grey / -WK,WL,XL
705867123 3SS flannel grey / -41
705867123 30J lagoon / -KR
705867123 4PP light beige / -KS
705867123 4PY red / -43
705867123 4TQ lagoon / -AP
705867123 5SP blue / -44
705867123 72C flannel grey / -UC

(4) 705867124
door trim panel, centre part / right / PR-3LQ
cloth
705867124 2EY flannel grey / -KQ
705867124 3EV flannel grey / -WK,WL,XL
705867124 3EU flannel grey / -AQ,RW,RX,RY, / RZ,UC,22,39, / 51
705867124 3SS flannel grey / -41
705867124 30J lagoon / -KR
705867124 4PP light beige / -KS
705867124 4PY red / -43
705867124 4TQ lagoon / -AP
705867124 5SP blue / -44
705867124 73E flannel grey / -UC

(4) 705867123E
door trim panel, centre part / left / PR-5YG
for models with leather trim
705867123E G69 lagoon / -YQ
705867123E 5QT flannel grey / -80,90
705867123E 7K9 flannel grey / -79,89
705867123E 9PN light beige / -YR

(4) 705867124E
door trim panel, centre part / right / PR-5YG
for models with leather trim
705867124E G69 lagoon / -YQ
705867124E 5QT flannel grey / -80,90
705867124E 7K9 flannel grey / -79,89
705867124E 9PN light beige / -YR

(5) 701867131
storage box / left
701867131 U71 flannel grey / -BU,BX,LS

(5) 701867131A
storage box / left
701867131A 2HP lagoon
701867131A 7DE flannel grey

(5) 701867131E
storage box / left
(leatherette/cloth)
for vehicles prepared for radio
701867131E 2HP lagoon
701867131E 7DE flannel grey
701867131E 28R light beige

5 701867132
storage box / right
701867132 U71 flannel grey

(5) 701867132A
storage box / right
701867132A 2HP lagoon
701867132A 7DE flannel grey

(5) 701867132E
storage box / right
(leatherette/cloth)
for vehicles prepared for radio
701867132E 2HP lagoon
701867132E 7DE flannel grey
701867132E 28R light beige
loudspeaker grille
** see accessories catalog **

6 N 90434702
oval head panel screw / E4,8X16

(7) 701867161A
pull handle / left / pick-up
comprising: / 7D0 867 197 C / delivery van
/ 7D0 867 179 D / kombi van
701867161A U71 flannel grey / -BU,BX,LS

7 7D0867161C
pull handle / left / MULTIVAN
comprising: / 7D0 867 197 D / CARAVELLE
/ 7D0 867 179 D
7D0867161C R48 light beige / -NA,KS
7D0867161C 2HP lagoon / -AP,KR

(7) 701867161A
pull handle / left / MULTIVAN
comprising: / 7D0 867 197 C / CARAVELLE
/ 7D0 867 179 D
701867161A J51 lagoon / -AP,KR
701867161A Q70 light beige / -NA,KS
701867161A U71 flannel grey / -AQ,KQ,MA,RW,
/ RX,RY,RZ,UC,
/ WL,XL,22,39,
/ 41,43,44,51,
/ 80

(7) 701867161A
pull handle / left / LAST EDITION
for models with leather trim
comprising: / 7D0 867 197 C
/ 7D0 867 179 D
701867161A U71 flannel grey / -90

(7) 7D0867161A
pull handle / left
for models with leather trim
comprising: / 7D0 867 179 A
/ 7D0 867 197 A
7D0867161A G90 lagoon / -YQ
7D0867161A R08 light beige / -YR
7D0867161A 7K9 flannel grey / -79,89

(7) 701867162A
pull handle / right / pick-up
comprising: / 7D0 867 198 C / deliv. van,
/ 7D0 867 180 D / kombi van
701867162A U71 flannel grey

(7) 7D0867162C
pull handle / right / MULTIVAN
comprising: / 7D0 867 198 D / CARAVELLE
/ 7D0 867 180 D
7D0867162C R48 light beige / -NA,KS
7D0867162C 2HP lagoon / -AP,KR
7D0867162C 7DE flannel grey / -AQ,KQ,MA,RW,
/ RX,RY,RZ,UC,
/ WL,XL,22,39,
/ 41,43,44,51,
/ 80

(7) 701867162A
pull handle / right / MULTIVAN
comprising: / 7D0 867 198 C / CARAVELLE
/ 7D0 867 180 D
701867162A J51 lagoon / -AP,KR
701867162A Q70 light beige / -NA,KS
701867162A U71 flannel grey / -AQ,KQ,MA,RW,
/ RX,RY,RZ,UC,
/ WL,XL,22,39,
/ 41,43,44,51,
/ 80

(7) 701867162A
pull handle / right / LAST EDITION
for models with leather trim
comprising: / 7D0 867 198 C
/ 7D0 867 180 D
701867162A U71 flannel grey / -90

(7) 7D0867162A
pull handle / right
for models with leather trim
comprising: / 7D0 867 180 A
/ 7D0 867 198 A
7D0867162A G90 lagoon / -YQ
7D0867162A R08 light beige / -YR
7D0867162A 7K9 flannel grey / -79,89

8 N 90252104
rivetted cap nut / AM6/0,5-3

9 N 0141433
fillister hd. bolt / AM6X22SB

11 321867299B
clip

12 N 90157501
panel screw / B4,2X25

13 701867299E
clip
701867299E J51 lagoon
701867299E Q70 light beige
701867299E U71 flannel grey

14 893867299
clamping piece

18 701898091
set of seals for door trim panel / left

(18) 701898092
set of seals for door trim panel / right

(19) 701867691C
connecting part / left front
701867691C J51 lagoon
701867691C U71 flannel grey

(19) 701867693B
connecting part / left rear
701867693B J51 lagoon
701867693B U71 flannel grey

(19) 701867692C
connecting part / right front
701867692C J51 lagoon
701867692C U71 flannel grey

(19) 701867694B
connecting part / right rear
701867694B J51 lagoon
701867694B U71 flannel grey

21 701867225D
gasket 'order unit 4'

40 701868133
insert for stowage box / left / PR-8RA/8RD/
/ 8RH
701868133 J51 lagoon
701868133 U71 flannel grey

(40) 701868133A
insert for stowage box / left / PR-8RE/8RL
701868133A J51 lagoon
701868133A U71 flannel grey

(40) 701868134
insert for stowage box / right / PR-8RA/8RD/
/ 8RH
701868134 J51 lagoon
701868134 U71 flannel grey

(40) 701868134A
insert for stowage box / right / PR-8RE/8RL
701868134A J51 lagoon
701868134A U71 flannel grey

45 7D1868885
cover / left / PR-3YN/3YP
shelf/stowage compartment
7D1868885 2HP lagoon
7D1868885 28R light beige
7D1868885 7DE flannel grey

46 7D1857475A
retaining panel / left / PR-3YN/3YP

47 7D1857475
retaining panel / right / PR-3YN/3YP

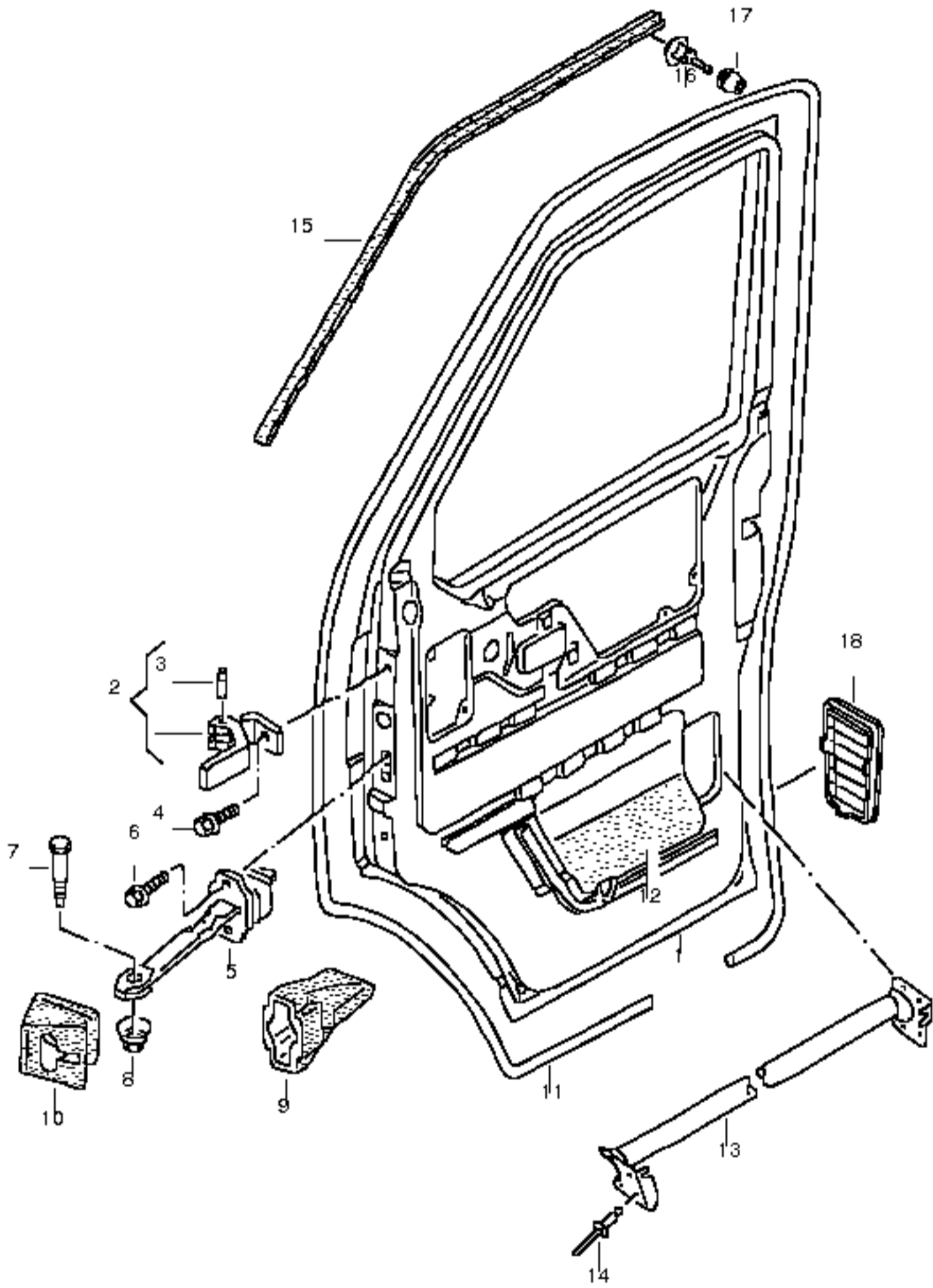
48 N 0139649
oval head panel screw / ST4,2X16-C / PR-3YN/3YP

55 357837219A
main key / PR-3YN/3YP
profile ah
quote key number for cut keys

56 7D0857113B
lock cylinder / PR-3YN/3YP

- 533863288A
felt strip (self-adhesive) 'order unit 25' / 20X3X880MM

- 705868835
foam packing (self-adhesive)



driver and passenger door

1 7D0831055C
door / left
also use: / *>>70-X-145000
/ 701 867 299 E
/ in appropriate colour

(1) 7D0831055E
door / left / post
- 7D0831123
reinforcement / inner / post

(1) 7D0831055D
door / left / "MEX", "AUS"
for vehicles with side reinforcement
also use: / *>>70-X-145000
/ 701 867 299 E
/ in appropriate colour .

(1) 7D0831056C
door / right
also use: / *>>F70X145000
/ 701 867 299 E
/ in appropriate colour .

(1) 7D0831056D
door / right / "MEX", "AUS"
for vehicles with side reinforcement
also use: / *>>70-X-145000
/ 701 867 299 E
/ in appropriate colour .

- N 0200251
plug / A12X1

- N 0200321
plug / A6X0,8

- 701867299E
clip
701867299E J51 lagoon
701867299E U71 flannel grey
701867299E 9UW sahara

- 701831735
vent trim
701831735 01C satin black

- 701831737
locking cover
701831737 01C satin black

(2) 7D0831401
door hinge
pin - hinge
no replacement part

4 N 90691901
hexagon head bolt c/w shoulder / M10X30

5 701837249A
check rod - door

6 N 90245206
hexagon head bolt c/w shoulder / M6X10
/ post

(6) N 10156305
hexagon head bolt c/w shoulder / M6X12 / post

7 357837257
pin / 8/M6X27

8 701837270A
lock nut / M6

9 191837323A
boot

10 701837341
covering
check rod - door

(11) 7D0837911
door seal / left

11 7D0837912
door seal / right

12 323863950
sound absorber (self-adhesive) 'order unit 6' / 550X250X2

(13) 701831505A
side reinforcement / "AUS", "MEX",

(14) N 90594502
torx socket head combi-bolt / M8X18-H

(15) 7D0837761B
gasket / left upper / "D.."
use if required: / 701 837 069

15 7D0837762
gasket / right upper
F >> 70-1-012 000* / "D.."
use if required: / 701 837 069

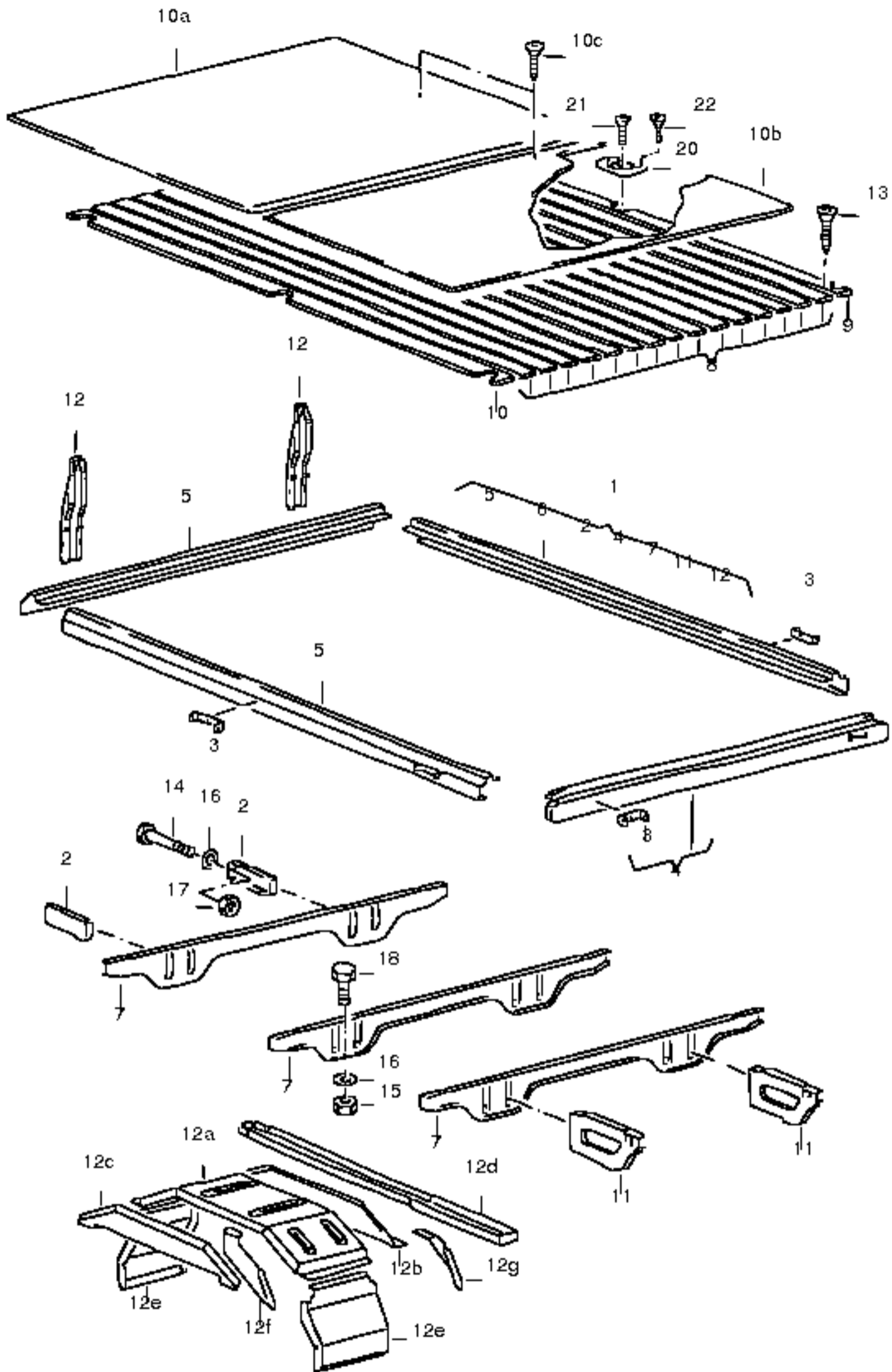
(15) 7D0837762
gasket / right upper
F 70-1-012 001>>* / "D.."
use if required: / 701 837 069

16 701837069
clip

17 701837069
clip

18 701831735
vent trim
701831735 01C satin black

(18) 701831737
locking cover
701831737 01C satin black



dropside bed frame / pick-up
cross member / double cab

- 000800981
sheet metal plate / 200X1500X0,8

- 000800981A
sheet metal plate / 300X1500X0,8

- 000800981B
sheet metal plate / 500X1500X0,8

- 000800981C
sheet metal plate / 800X1500X0,8

1 707801091C
dropside bed frame
for models with wheelbase: / 2920MM
F >> 70-Y-200 000 / pick-up

(1) 7D5801091C
dropside bed frame
for metal lid wheelbase: / 2920MM
F 70-1-000 001>> / pick-up

(1) 7D5801091F
dropside bed frame dropsides / aluminum wheelbase: / 2920MM
F 70-1-000 001>> / pick-up

(1) 727801091E
dropside bed frame for models with wheelbase: / 3320MM
F >> 70-Y-200 000 / pick-up

(1) 7D7801091C
dropside bed frame for metal lid wheelbase: / 3320MM
F 70-1-000 001>> / pick-up

(1) 7D7801091F
dropside bed frame dropsides / aluminium wheelbase: / 3320MM
F 70-1-000 001>> / pick-up

(1) 727801091H
dropside bed frame / pick-up for models with wheelbase: / 3320MM
for vehicles with low loader pick-up

(1) 729801091C
dropside bed frame for metal lid
F >> 70-Y-200 000 / double cab

(1) 7D7801091N
dropside bed frame for metal lid
F 70-1-000 001>> / double cab

(1) 7D7801091
dropside bed frame headboard / aluminium
F >> 70-Y-200 000 / double cab

(1) 7D7801091P
dropside bed frame dropsides / aluminium
F 70-1-000 001>> / double cab

2 707801245
support / left front

(2) 707801246
support / right front

(2) 727801249
support / front for vehicles with low loader pick-up

3 707801409
hinge bearing

- 245829419
plug

4 707801421A
frame part with hinge mounting / rear

5 707801421A
frame part with hinge mounting / front

(5+6) 707801399C
frame part with hinge mounting / side / pick-up
for models with wheelbase: / 2920MM

(5+6) 727801399E
frame part with hinge mounting / side / pick-up
for models with wheelbase: / 3320MM

(5+6) 729801399C
frame part with hinge mounting / side / double cab

7 707801461
cross member for models with wheelbase: / 2920MM / 3320MM

(7) 707801461A
cross member with supp. plate

(7) 727801461
cross member for vehicles with low loader pick-up

- 707801473
reinforcement for cross member / left

- 707801474
reinforcement for cross member / right mounting parts for body to chassis

10A 727801482B
floorboard / 1543,5X1807X18
adapt with workshop equipment / heavy-duty / front

10B 727801484C
floorboard / 1345,5X1807X18
adapt with workshop equipment / rear

10C N 90047901
countersunk panel screw / ST5,5X34-C

11 707801583
support / rear / pick-up

(11) 727801583
support / rear / low-loader pick-up

12 707829083
support / front

(12) 727829083A
support BORDWAND for low-loader pick-up

(12) 7D5829083C
support / front headboard / aluminium

12A 727801563
wheel cover / upper for vehicles with low loader pick-up

12B 727801565
wheel cover / inner for vehicles with low loader pick-up

12C 727801571
wheel cover / outer for vehicles with low loader pick-up

12D 727801573
longitudinal member for: wheel cover for vehicles with low loader pick-up

12E 727801627
wheel cover / front and rear for vehicles with low loader pick-up

12F 727801629
bracket for wheel cover / left for vehicles with low loader pick-up

(12F) 727801630
bracket for wheel cover / right for vehicles with low loader pick-up

12G 727801635
reinforcement for wheel cover / left for vehicles with low loader pick-up

(12G) 727801636
reinforcement for wheel cover / right for vehicles with low loader pick-up

14 N 01047211
hexagonal head bolt / M10X85

15 N 10286102
shouldered hex. nut, self-locking / M10

16 N 0116726
washer / B10,5X30X2,5

17 N 0230047
shouldered hex. nut, self-locking / AM10

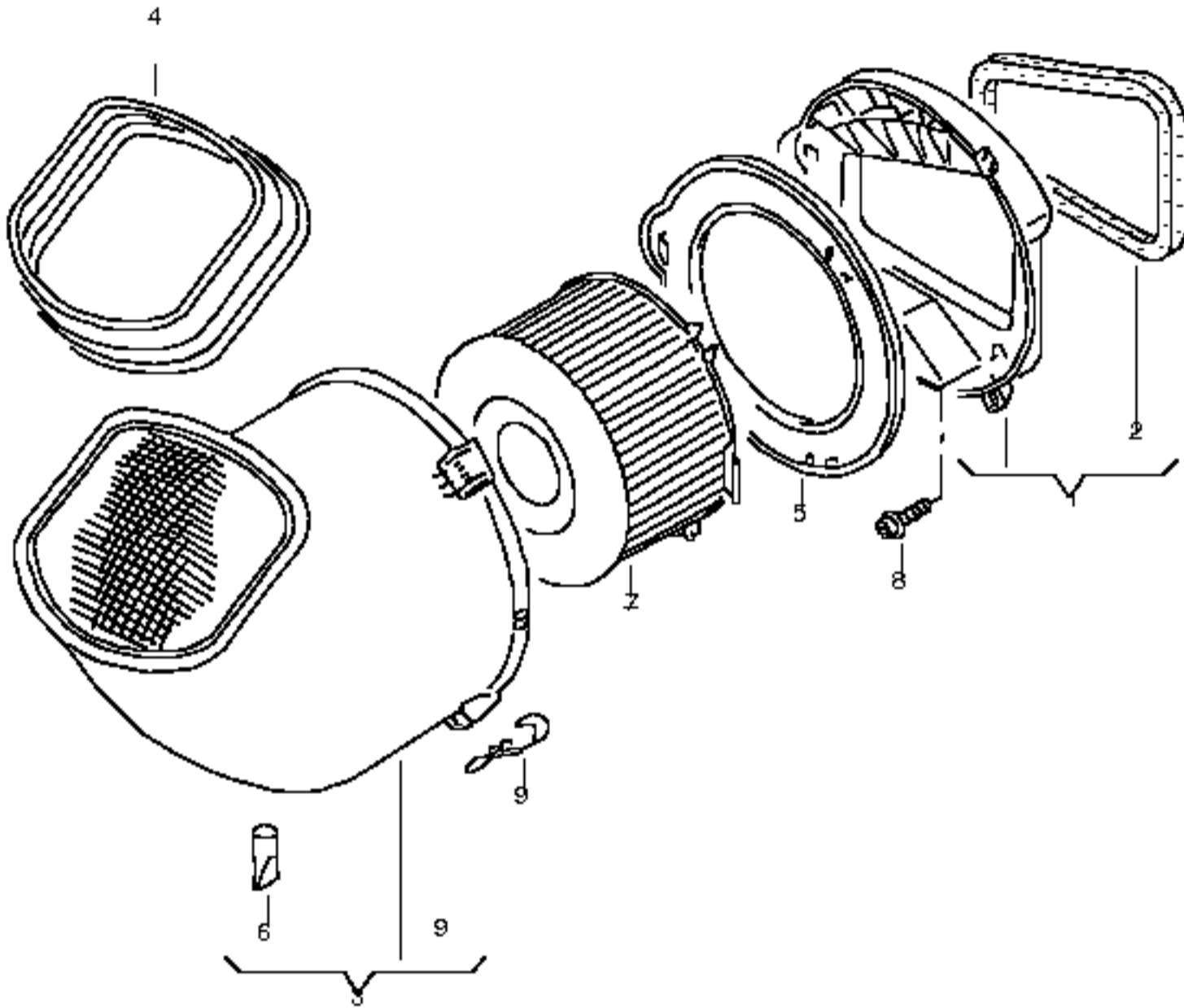
18 N 90274301
hexagonal head bolt / M10X30

20 707801977A
tie-down eye

21 N 10318702
socket head countersunk torx head bolt, self-locking / M10X35MK-G-SB

22 N 90047901
countersunk panel screw / ST5,5X34-C

(22) N 0141085
oval hd. csk. self-tapp. screw / B5,5X16



169 619 19 12/95

dust and pollen filter

1 701819077B

connecting piece / rear lhd heater

(1) 702819077B

connecting piece / rear rhd heater

use if required: / N 020 024 1

- N 0200241

plug / A10X1 / rhd

2 701819142

gasket

(3) 701815915C

filter housing / lhd

(3) 7D2815915

filter housing / rhd

also use: / N 105 137 01

- N 10513701

retainer / A10X6,5XC6-8 / rhd

4 701815921A

insert / lhd

(4) 702815921A

insert / rhd

5 701815925

retainer / lhd

6 703815942A

water drain valve

(7) 7D0819989

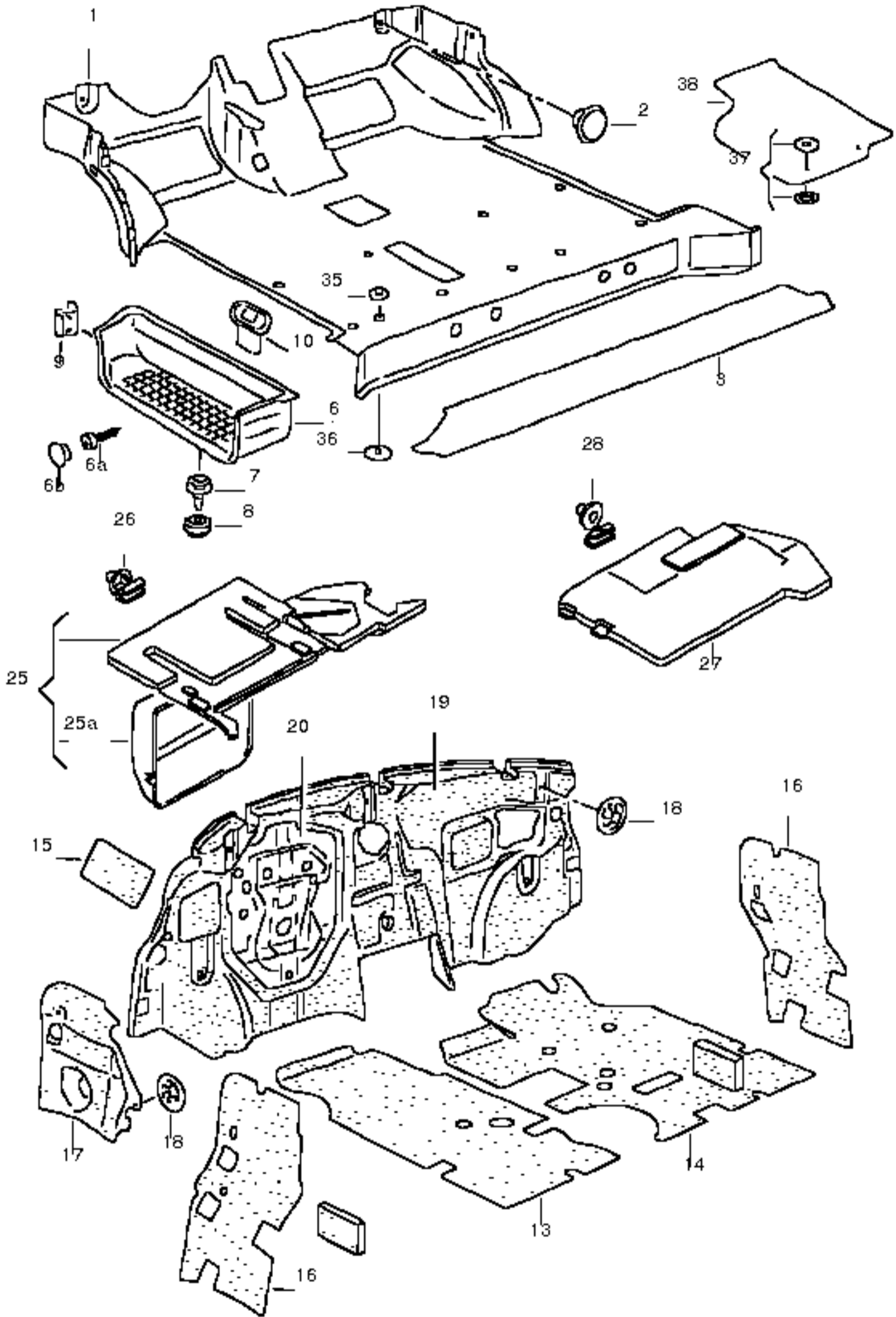
air cleaner element

8 N 10080102

allen key head bolt (combi) / M6X25

9 1H0129797

sealing clip / lhd / rhd



floor covering and sound abs.
drivers cab
cover under dashboard / left/right
foot mat
floor cover / velours

1 7D1863711L
floor cover / velours
/ lhd
use if required: / 3D0 864 227
/ (B41)
/ 3D0 864 229
/ in appropriate colour .
7D1863711L 5LQ lagoon
7D1863711L 6EV flannel grey
7D1863711L 7UU sahara

(1) 7D1863711AH
floor cover / velours
/ lhd
7D1863711AH19Z light beige

(1) 7D2863711L
floor cover / velours
/ rhd
use if required: / 3D0 864 227
/ (B41)
/ 3D0 864 229
/ in appropriate colour .
7D2863711L 5LQ lagoon
7D2863711L 6EV flannel grey
7D2863711L 7UU sahara

2 N 90357702
press stud / 9,5X8X30
N 903577029UW sahara
N 90357702U71 flannel grey
N 90357702J51 lagoon

floor cover / rubber

(1) 7D1863711P
floor cover (rubber) / lhd
7D1863711P 041 black

(1) 7D1863711AD
floor cover for drivers cab (rubber) / lhd
7D1863711AD041 black

(1) 7D1863711Q
floor cover (rubber) / lhd
for models with partition
7D1863711Q 041 black

(1) 7D1863711Q
floor cover (rubber) / lhd / double cab
7D1863711Q 041 black

(1) 7D2863711P
floor cover (rubber) / rhd
7D2863711P 041 black

(1) 7D2863711Q
floor cover (rubber) / rhd
for models with partition
7D2863711Q 041 black

(1) 7D2863711Q
floor cover (rubber) / rhd / pick-up
/ double cab
7D2863711Q 041 black

(1) 7D5863711E
floor cover (rubber) / lhd / pick-up
7D5863711E 041 black

2 N 90357702
press stud / 9,5X8X30
N 9035770201C satin black

(3) 708863713C
floor cover (rubber) / rear rhd / pick-up
708863713C 041 black

step insert

6 701863735A
step insert / left front / delivery van
701863735A 2BC graphite

(6) 705863735A
step insert / left front / bus
705863735A J51 lagoon
705863735A Q70 light beige
705863735A U71 flannel grey
705863735A 9UW sahara
705863735A 2BC graphite

(6) 701863736C
step insert / right front
701863736C 2BC graphite

(6) 705863736C
step insert / right front / bus
/ camp- mobile
705863736C J51 lagoon
705863736C Q70 light beige
705863736C U71 flannel grey
705863736C 9UW sahara

6A N 90654401
oval head panel screw (combi) / B4,2X32

6B 7D0863119B
plug / left
7D0863119B J51 lagoon
7D0863119B Q70 light beige
7D0863119B U71 flannel grey
7D0863119B 2BC graphite
7D0863119B 9UW sahara

(6B) 7D0863119C
plug / right
7D0863119C J51 lagoon
7D0863119C Q70 light beige
7D0863119C U71 flannel grey
7D0863119C 2BC graphite

7 701853585
clip
shorten if necessary

8 357853586D
grommet

9 701867331A
clips

10 701863787
grommet

sound absorbers
sound absorber for floor / left front
make up from: / 323 863 950
sound absorber for floor / right front
make up from: / 323 863 950
sound absorber for cross panel / diesel eng.
make up from: / 323 863 950
sound absorber-pillar b / left/right
make up from: / 323 863 950

- 323863950
sound absorber (self-adhesive) 'order unit 6' / 550X250X2

17 7D0864953
sound absorber-pillar a / left lower

(17) 7D0864954
sound absorber-pillar a / right lower

18 N 90335004
clamping washer / 5X30

19 7D0863925
sound absorber for cross panel / inner lhd

(19) 7D2863933A
sound absorber for cross panel / inner rhd

(20) 7D1863939B
sound absorber for pedal plate / lhd

(20) 702863939C
sound absorber for pedal plate / rhd

cover under dashboard / left/right

(25) 7D1819581C
cover under dashboard / lhd
(drivers side)
central electrics

(25) 7D2819582
cover under dashboard / rhd
(drivers side)
central electrics
F >> 70-Y-000 949

(25) 7D2819582B
cover under dashboard / rhd
(drivers side)
central electrics
F 70-Y-000 950>>

25A 7D0971743
cover for central electrics / ACV

26 7D1819583C
holder for covering
(drivers side)

(27) 7D1819592D
cover under dashboard / lhd / PR-4N1
(passenger side)
for padded dashboard
rework if necessary

(27) 7D1819592E
cover under dashboard / lhd / PR-4N2
(passenger side)
glove box
rework if necessary

(27) 7D2819591A
cover under dashboard / rhd
(passenger side)
glove box

28 7D1819583E
holder for covering
(passenger side)

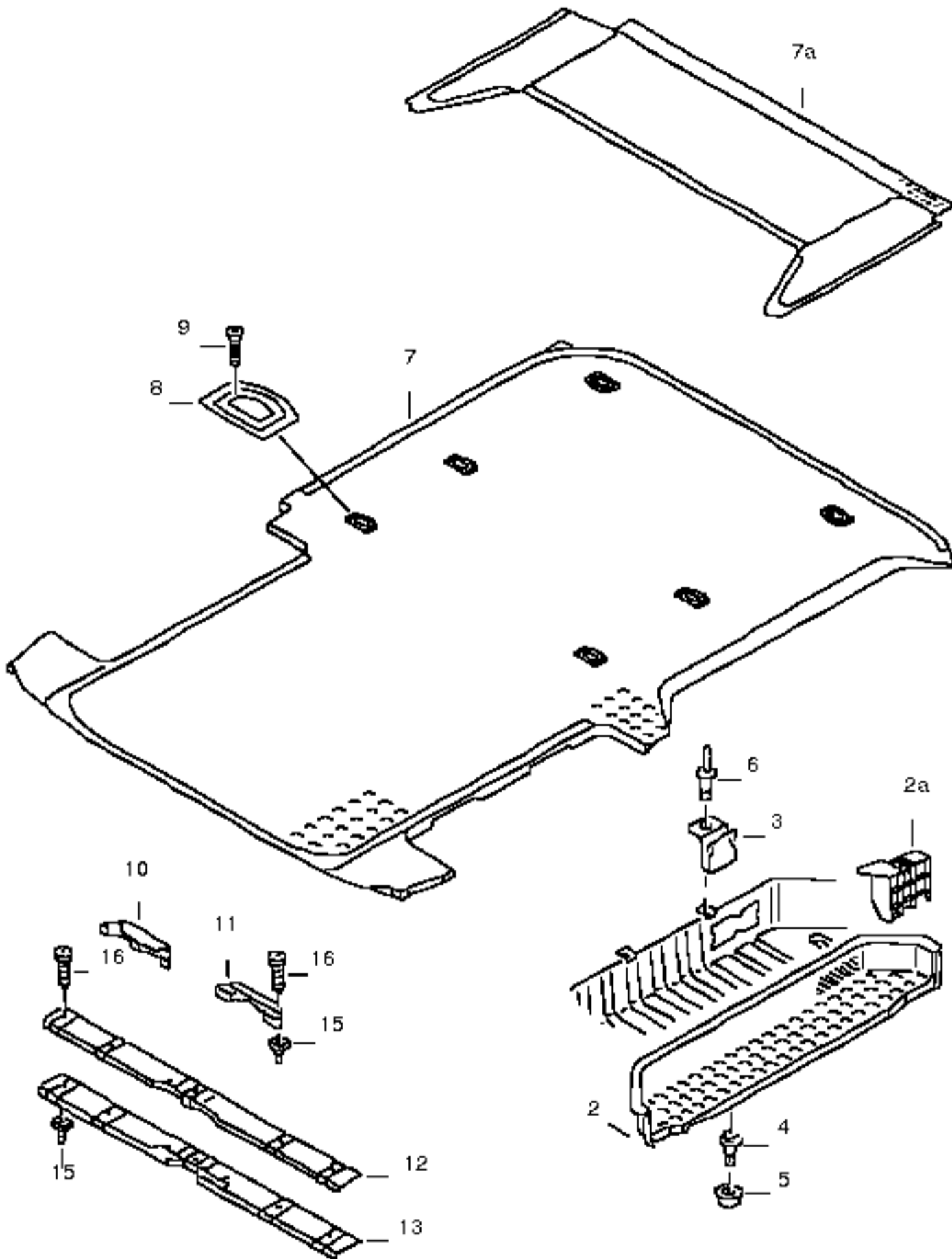
foot mat

35 3D0864229
cover cap / upper
3D0864229 B41 satin black
3D0864229 Q70 light beige
3D0864229 U71 flannel grey

36 3D0864227
retainer / lower
3D0864227 B41 satin black

37 3D0898501
1 set: securing parts for foot mat
3D0898501 B41 satin black
foot mat

** see accessories catalog ** / VOTEX



floor covering and sound abs. / delivery van
for passenger compartement / kombi van
step insert / bus
foot mat / double cab
step insert

2A 701864745
retaining frame
for vehicles with step insert
for sliding door

(2) 701863725A
step insert / left / delivery van
sliding door / kombi van
rework if necessary
701863725A J51 lagoon
701863725A U71 flannel grey
701863725A 9UW sahara
701863725A 2BC graphite

(2) 7D0863726C
step insert / right / delivery van
sliding door / kombi van
/ MULTIVAN
7D0863726C J51 lagoon
7D0863726C Q70 light beige
7D0863726C U71 flannel grey
7D0863726C 2BC graphite
7D0863726C 9UW sahara

(2) 701863725A
step insert / left
701863725A 2BC graphite

(2) 729863725
step insert / left / double cab
729863725 2BC graphite

(2) 729863726B
step insert / right / double cab
729863726B 2BC graphite

3 701863727
retaining clip

4 701853585
clip
shorten if necessary

5 357853586D
grommet

6 N 90437401
pop-rivet / A4,8X10

floor cover / wood

(7) 703863705M
floor plate with lining / front lhd / MULTIVAN
/ plastic
storage unit
1st seat row / seat, left: rework if necessary
703863705M 3ED flannel grey / -TU,TV
703863705M 9GS lagoon
703863705M 42L grey/silver / -AQ,KQ

(7) 703863705R
floor plate with lining / front lhd / ATLANTIS
/ plastic / MULTIVAN
703863705R 43P silver / -22

(7) 703863705T
floor plate with lining / front lhd / ALLSTAR,
/ plastic / CLASSIC,
2 folding seats, facing rear / MULTIVAN: / PR-3UU
rework if necessary
703863705T 3ED flannel grey / -TU,UF,WK
703863705T 9GS lagoon / -TS

(7) 7D1863705E
floor plate with lining / front lhd / MULTIVAN
/ plastic
rework if necessary
7D1863705E 42L grey/silver / -AQ,KQ

(7) 7D1863705G
floor plate with lining / front lhd / MULTIVAN 2
/ plastic
use if required: / 7D1 864 497
/ (U71)
rework if necessary
for vehicles with auxiliary heater
7D1863705G 42L grey/silver / -AQ,KQ,RW,RX, / RY,RZ,22,51

(7) 7D1863705N
floor plate with lining / front lhd / MULTIVAN 2
/ plastic
rework if necessary
for vehicles with auxiliary heater
7D1863705N 42L grey/silver / -AQ,KQ,RW,RX,
/ RY,RZ,22,41,
/ 43,44,51,79
/ 80

(7) 704863705G
floor plate with lining / front rhd / MULTIVAN
/ plastic / CLASSIC
704863705G 3ED flannel grey / -UF
704863705G 42L grey/silver / -AQ

(7) 703863717F
floor plate with lining / rear / MULTIVAN
/ plastic / CLASSIC
703863717F 3ED flannel grey
703863717F 9GS lagoon
703863717F 42L grey/silver / -AQ,KQ,RW,RX, / RY,RZ
703863717F 42L grey/silver / -AQ,KQ,RW,RX, / RY,RZ,22,51
703863717F 43P silver / -22

(7) 7D0863717B
floor plate with lining / rear / MULTIVAN II
/ plastic
rework if necessary / PR-1B7
bracket for spare wheel
7D0863717B 42L grey/silver / -AQ,KQ,RW,RX,
MOSAIKW?RFEL / RY,RZ,22,41,
/ 43,44,51,79
/ 80

- AKL45000505
butyl adhesive / sealing cord / 5X5000
wooden floor

- 7D1864497
rubber strip / 1134X56MM / MULTIVAN 2
7D1864497 U71 flannel grey

floor cover / rubber

(7) 701863731G
floor cover (rubber)
for vehicles with sliding door / right
for models with wheelbase: / 2920MM
701863731G 041 black

(7) 701863731H
floor cover (rubber)
for vehicles with sliding door / left
for models with wheelbase: / 2920MM
701863731H 041 black

(7) 701863731J
floor cover (rubber)
for vehicles with sliding door / left/right
for models with wheelbase: / 2920MM
701863731J 041 black

(7) 721863731C
floor cover (rubber)
for vehicles with sliding door / right
for models with wheelbase: / 3325MM
721863731C 041 black

(7) 721863731D
floor cover (rubber)
for vehicles with sliding door / left
for models with wheelbase: / 3325MM
721863731D 041 black

(7) 721863731E
floor cover (rubber)
sliding door / left/right
for models with wheelbase: / 3325MM
721863731E 041 black

(7A) 729863731K
floor cover (rubber) / double cab
729863731K 041 black

floor cover / velours

- 357898250
1 set of velcro + baize strip / 25X500 / ALLSTAR

- 8G0864993
clip

(7) 703863731F
floor cover / velours / MULTIVAN
lining insert / ALLSTAR,
/ CLASSIC
703863731F 6EV flannel grey

(7) 7D1863731Q
floor cover / velours
for vehicles with sliding door / right
for vehicles with sliding door / left/right
for models with wheelbase: / 2920MM
7D1863731Q 5LQ lagoon
7D1863731Q 6EV flannel grey
7D1863731Q 7UU sahara
7D1863731Q 19Z light beige / -KS

(7) 7D1863731
floor cover / velours
for vehicles with sliding door / right
for vehicles with sliding door / left/right
for models with wheelbase: / 2920MM
swivel seats in pass. compart. / front
7D1863731 5LQ lagoon / -VJ
7D1863731 19Z light beige / -KS,VH

(7) 7D1863731G
floor cover / velours
for vehicles with sliding door / left
for models with wheelbase: / 2920MM
7D1863731G 5LQ lagoon
7D1863731G 6EV flannel grey
7D1863731G 7UU sahara

(7) 7D1863731A
floor cover / velours
for vehicles with sliding door / left
for models with wheelbase: / 2920MM
swivel seats in pass. compart. / front
7D1863731A 5LQ lagoon / -VJ
7D1863731A 6EV flannel grey / -KQ,UF
7D1863731A 7UU sahara / -VK

(7) 7D3863731F
floor cover / velours
for vehicles with sliding door / right
for models with wheelbase: / 3325MM
7D3863731F 5LQ lagoon
7D3863731F 6EV flannel grey
7D3863731F 7UU sahara

(7) 7D3863731G
floor cover / velours
for vehicles with sliding door / left
for models with wheelbase: / 3325MM
7D3863731G 5LQ lagoon
7D3863731G 6EV flannel grey
7D3863731G 7UU sahara

8 1J0864203B
tie-down eye / left/right / CARAVELLE
1J0864203B B41 satin black
1J0864203B Q70 light beige
1J0864203B U71 flannel grey

9 N 10120901
countersunk bolt / M6X15

10 701863487
cover for lock carrier / kombi van
for wing door / delivery van
without floor cover
701863487 2BC graphite

11 701863487B
cover for lock carrier / kombi van
/ delivery van
701863487B 2BC graphite

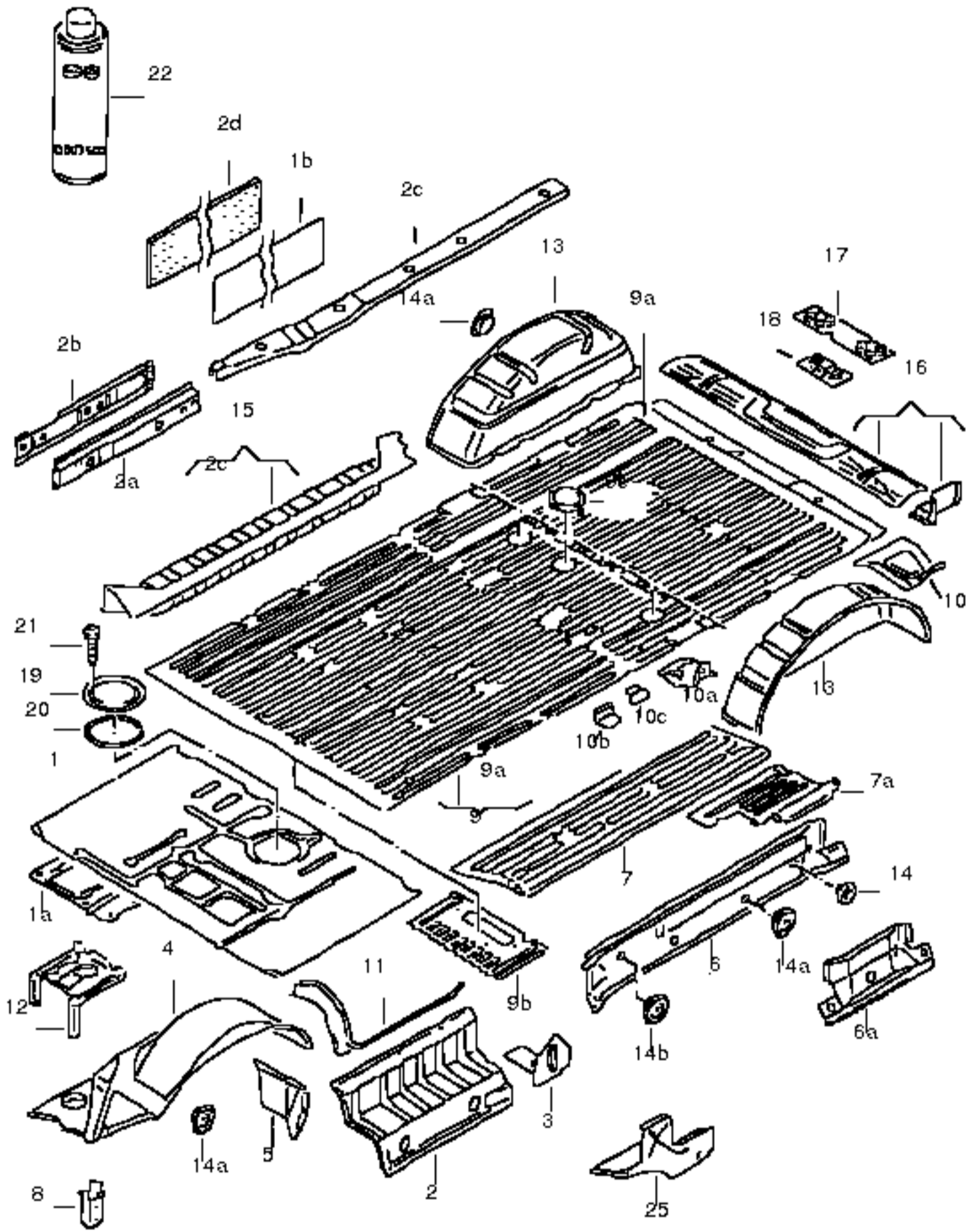
12 705863487
cover for lock carrier / bus
for wing door
705863487 2BC graphite

13 705863487A
cover for lock carrier / bus
705863487A 2BC graphite

(15) 701864445B
insert nut

16 N 0139713
oval head panel screw / B4,8X22

foot mat
foot mat / rear lhd / TOPSTAR
** see accessories catalog ** / VOTEX



floor plate / front center / delivery van
 step / kombi van
 wheel housing / bus
 door frame lower part / pick-up
 bracket - battery / double cab
 runner for sliding door

1B 000800981
 sheet metal plate / 200X1500X0,8

(1B) 000800981A
 sheet metal plate / 300X1500X0,8

(1B) 000800981B
 sheet metal plate / 500X1500X0,8

(1B) 000800981C
 sheet metal plate / 800X1500X0,8

1 7D0802205B
 floor plate / front

1A 701801079
 support plate
 see illustration: / 713-10

2 701801173
 step / left

(2) 701801174B
 step / right

2A 7D0803756A
 inner panel / right

2B 701803766
 side member / right outer

2C 701802776A
 edge plate / right

2D 323863950
 sound absorber (self-adhesive) 'order unit 6' / 550X250X2

3 701801179
 filler plate

(4) 701801243C
 wheel housing / left front

(4) 7D0801244B
 wheel housing / right front

5 701801249
 filler plate for wheel housing / left front

(5) 701801268A
 filler plate for wheel housing / right front

6 7D1801253B
 rip plate for floor plate / left / delivery van / kombi van / bus

(6) 729801253
 rip plate for floor plate / left / double cab

(6) 7D1802256
 rip plate for floor plate / right / kombi van / bus / delivery van

(6) 7D1802256A
 rip plate for floor plate / right / delivery van
 for vehicles with auxiliary heater / kombi van / bus

(6) 729801254
 rip plate for floor plate / right / double cab

6A 721801255
 extension for side panel / left / delivery van wheelbase: / 3320MM / kombi van / bus

(6A) 721801256B
 extension for side panel / right / delivery van wheelbase: / 3320MM / kombi van / bus

7 7D1801257
 filler plate / left / delivery van sliding door / right / kombi van / bus

(7) 7D7801257
 filler plate / left / double cab

(7) 7D1801258
 filler plate / right / delivery van / kombi van / bus

(7) 729801258A
 filler plate / right / double cab

7A 7D3801263
 extension for reinforcement / left / delivery van wheelbase: / 3320MM / kombi van / bus

(7A) 7D3801264
 extension for reinforcement / right / delivery van wheelbase: / 3320MM / kombi van / bus

8 701801277
 bracket for bumper / left

(8) 701801278
 bracket for bumper / right

9 7D1801403E
 floor plate / rear center / delivery van
 for models with wheelbase: / 2920MM / kombi van / bus

(9) 707801403B
 floor plate / pick-up

(9) 7D3801403A
 floor plate / rear center / delivery van
 for models with wheelbase: / 3320MM / kombi van / bus

(9) 729801403
 floor plate / center / double cab

9A 701801411
 sub-part - floor plate / rear / delivery van
 for models with wheelbase: / 2920MM / kombi van / bus

9B 701801542
 insert plate for vehicles with additional heat exch.

(9B) 7D1801541
 insert plate for vehicles with auxiliary heater

- N 0139575
 oval head panel screw / B3,5X9,5

9C 191813589
 locking cover / center / double cab

10 7D1801569A
 floor plate / left / delivery van / kombi van / bus

(10) 7D1801570A
 floor plate / right / delivery van / kombi van / bus

10A 701804581
 filler plate / left c-pillar, inner

(10A) 701804582A
 filler plate / right

10B 701804587
 angle

10C 701804589
 angle c-pillar, inner

11 701801699
 door frame lower part / left

(11) 701801700A
 door frame lower part / right

12 7D0805213A
 bracket - battery

13 7D1803421B
 wheel housing / left rear / 15"

13 7D1803421B
 wheel housing / left rear / 16"
 also use: / 7D1 802 399

(13) 7D1803422A
 wheel housing / right rear / 15"

(13) 7D1803422A
 wheel housing / right rear / 16"
 also use: / 7D1 802 399

- 7D1802399
 wheel housing / rear, upper / 16"

14 803803583
 plug / 30

(14) 803803583A
 plug / 19

14A N 10034401
 plug / 30X5,6X37

14B N 10104101
 plug / 41X51X10

(15) 701803621
 step / left / delivery van runner for sliding door / kombi van / bus

(15) 701803622D
 step / right / delivery van runner for sliding door / kombi van / bus

(15) 729803621
 step / left / double cab for double cab

(15) 729802642
 step / right for double cab

16 701803717B
 rear apron for vehicles with wing doors
 also use: / 701 827 263

(16) 701803717B
 rear apron
 also use:
 for vehicles with tailgate/boot lid panel / 701 827 263 A
 for vehicles with wing door / 701 827 263

17 701827263
 reinforcement for apron / center for vehicles with wing doors

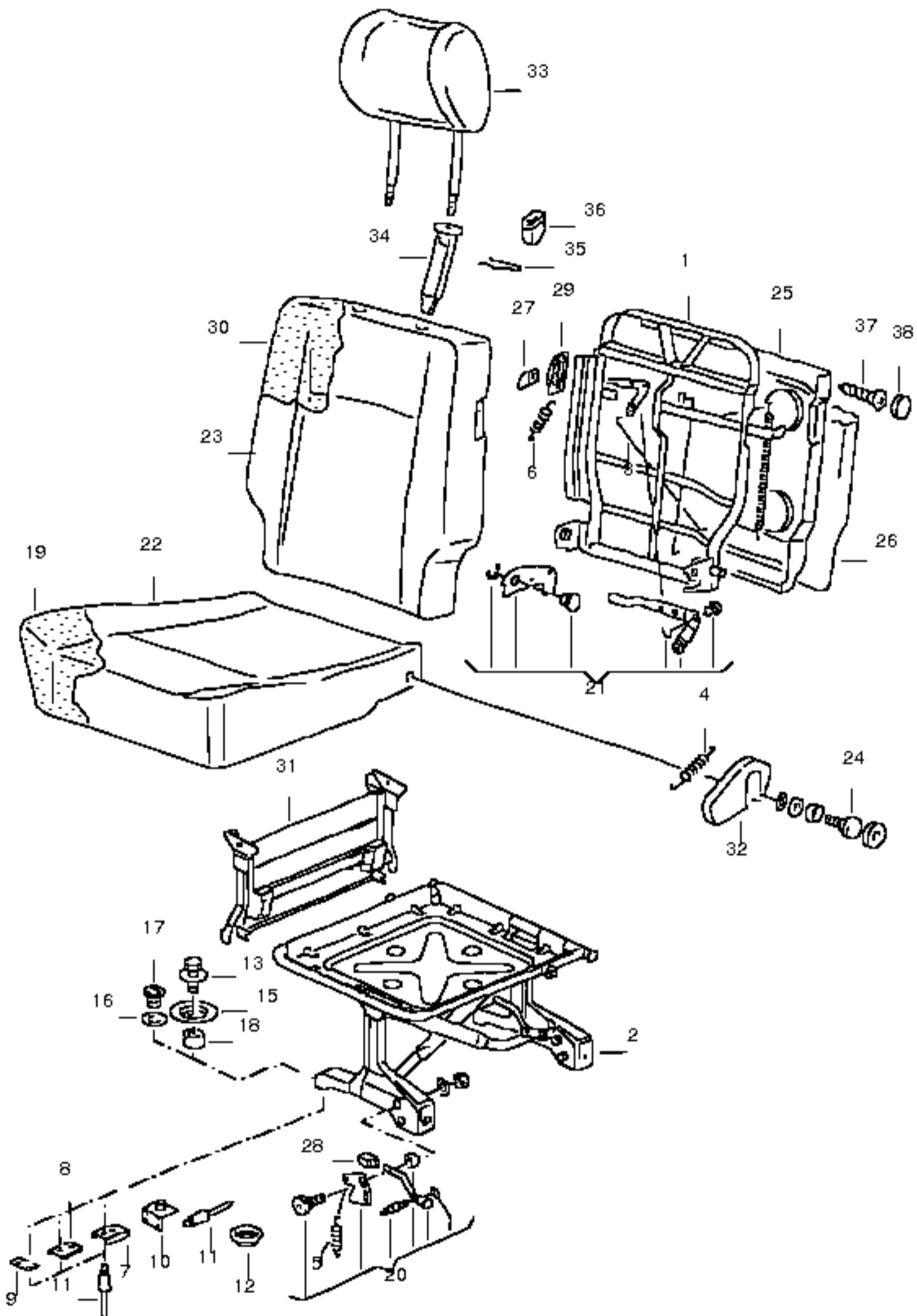
18 701827263A
 reinforcement for apron / center for vehicles with tailgate/boot lid panel

19 701803959A
 cover for sender unit

20 321803963
 seal

21 N 0139655
 oval head panel screw / B4,2X9,5

22 D 003500
 long-life underseal / 1.0 ltr.
 discontinued / replacement: / POSITION 15



folding seat in passeng. comp.

- 703883028A
seat and backrest complete (without cover) / right / PR-N0A,N0C, / NOJ
for service installation but without: head restraint
also use: / 703 883 857 A/
/ 858 A(FKZ)

- 705883028
seat and backrest complete (without cover) / right / PR-N0F
for service installation but without: head restraint
also use: / 705 883 622 / (FKZ) / 703 883 857 A/ / 858 A (FKZ)

- 703883018C
seat and backrest / right / PR-N0C
but without: head restraint
703883018C ECL flannel grey / -LS,MA

- 703883018L
seat and backrest / right / PR-N0A
but without: head restraint
703883018L ECP flannel grey / -BX

- 703883018M
seat and backrest / right / PR-N0J
but without: head restraint
703883018M ECN flannel grey / -BU

- 7D0883018J
seat, complete with backrest / right / PR-N0P
but without: head restraint
7D0883018J HQA flannel grey / -AQ
7D0883018J HQD lagoon / -AP

- 7D0883018K
seat, complete with backrest / right / PR-N0U
but without: head restraint
7D0883018K HQH lagoon / -KR
7D0883018K HYD light beige / -KS
7D0883018K HYE flannel grey / -KQ

- AMV195KD101
adhesive / 3G

(1) 703883045G
backrest frame / left

1 703883046A
backrest frame / right

- N 90315301
lock washer / 14X0,8

2 703883061J
seat frame / left

(2) 703883062A
seat frame / right

3 703883257
bowden cable / right outer / left outer

(3) 703883257A
bowden cable / right inner / left inner

4 703883259
tension spring

5 703883260
tension spring

6 703883261
tension spring

7 703883281
retaining plate

8 703883281A
retaining plate

9 703883281B
retaining plate

10 703883281D
retaining plate
list of uses
see illustration: / 885-30

11 N 90478601
pop-rivet / A4,8X11

(12) 703883298D
damping ring

(13) 703883297A
attachment bolt / 23MM

(13) 723883297A
attachment bolt / 34MM

16 111857779
gasket / 28X10,4X1,5

17 253857785
plug / M10
253857785 01C satin black

18 281857790
spacer bush

19 703883375C
padding for seat

20 703883385
seat release

21 703883385A
backrest catch

22 703883405T
seat cover (cloth)
703883405T EEM flannel grey / -BX
703883405T EEZ flannel grey / -AB

(22) 703883405AA
seat cover (cloth/leatherette)
703883405AAEEN dark grey / -BU

(22) 703883405L
seat cover (leatherette)
703883405L EEK flannel grey / -LS,MA

(22) 705883405
705883405 EEW flannel grey / -UF
705883405 EEX sahara / -UG
705883405 EEY lagoon / -UE

(22) 7D0883405H
seat cover (cloth/leatherette) / PR-N0P
7D0883405H HQA flannel grey / -AQ
7D0883405H HQD lagoon / -AP

(22) 7D0883405J
seat cover (cloth) / PR-N0U
7D0883405J HQH lagoon / -KR
7D0883405J HYD light beige / -KS
7D0883405J HYE flannel grey / -KQ

(22) 7D0883405S
seat cover (leatherette) / PR-N1S
7D0883405S SPE light beige / -NA

23 703883455AM
backrest cover (cloth)
703883455AMEEZ flannel grey / -AB
703883455AMEEM flannel grey / -BX

(23) 703883455AN
backrest cover (cloth/leatherette)
703883455ANEEN dark grey / -BU

(23) 703883455AC
backrest cover (leatherette)
703883455ACEEK flannel grey / -LS,MA

(23) 705883455L
backrest cover (cloth)
705883455L EEW flannel grey / -UF
705883455L EEX sahara / -UG
705883455L EEY lagoon / -UE

(23) 7D0883455AH
backrest cover (cloth/leatherette) / PR-N0P
7D0883455AHHQA flannel grey / -AQ
7D0883455AHHQD lagoon / -AP

(23) 7D0883455AJ
backrest cover (cloth) / PR-N0U
7D0883455AJHQH lagoon / -KR
7D0883455AJHYD light beige / -KS
7D0883455AJHYE flannel grey / -KQ

(23) 7D0883455BC
backrest cover (leatherette) / PR-N1S
7D0883455BC5PE light beige / -NA

24 703883583
clinch bolt

26 703883611D
rear panel trim / PR-N0A/N0C/ / NOJ

27 703883633A
knob
703883633A 01C satin black

28 703883637
knob / left
703883637 01C satin black

(28) 703883638
knob / right
703883638 01C satin black

29 703883645
covering
703883645 J51 lagoon / -UE,KR
703883645 U71 flannel grey / -AB,BU,BX,LS, / MA,UF,KQ
703883645 9UW sahara / -UG
703883645 Q70 light beige / -KS

- N 01412216
fillister hd. bolt / M4X8

30 703883775E
padding for backrest

31 703883855A
trim
703883855A 01C satin black

32 703883857A
trim / left
703883857A J51 lagoon / -UE,KR
703883857A U71 flannel grey / -AB,BU,BX,LS, / MA,UF,KQ
703883857A 9UW sahara / -UG
703883857A Q70 light beige / -KS

(32) 703883858A
trim / right
703883858A J51 lagoon / -UE,KR
703883858A U71 flannel grey / -AB,BU,BX,LS, / MA,UF,KQ
703883858A 9UW sahara / -UG
703883858A Q70 light beige / -KS
head restraint with cover
see illustration: / 881-50

34 1H0881939
guide
1H0881939 B41 satin black

(34) 3A0881920
guide with push button for adjustable head restraint

3A0881920 B41
satin black

35 443881743
clip for guide

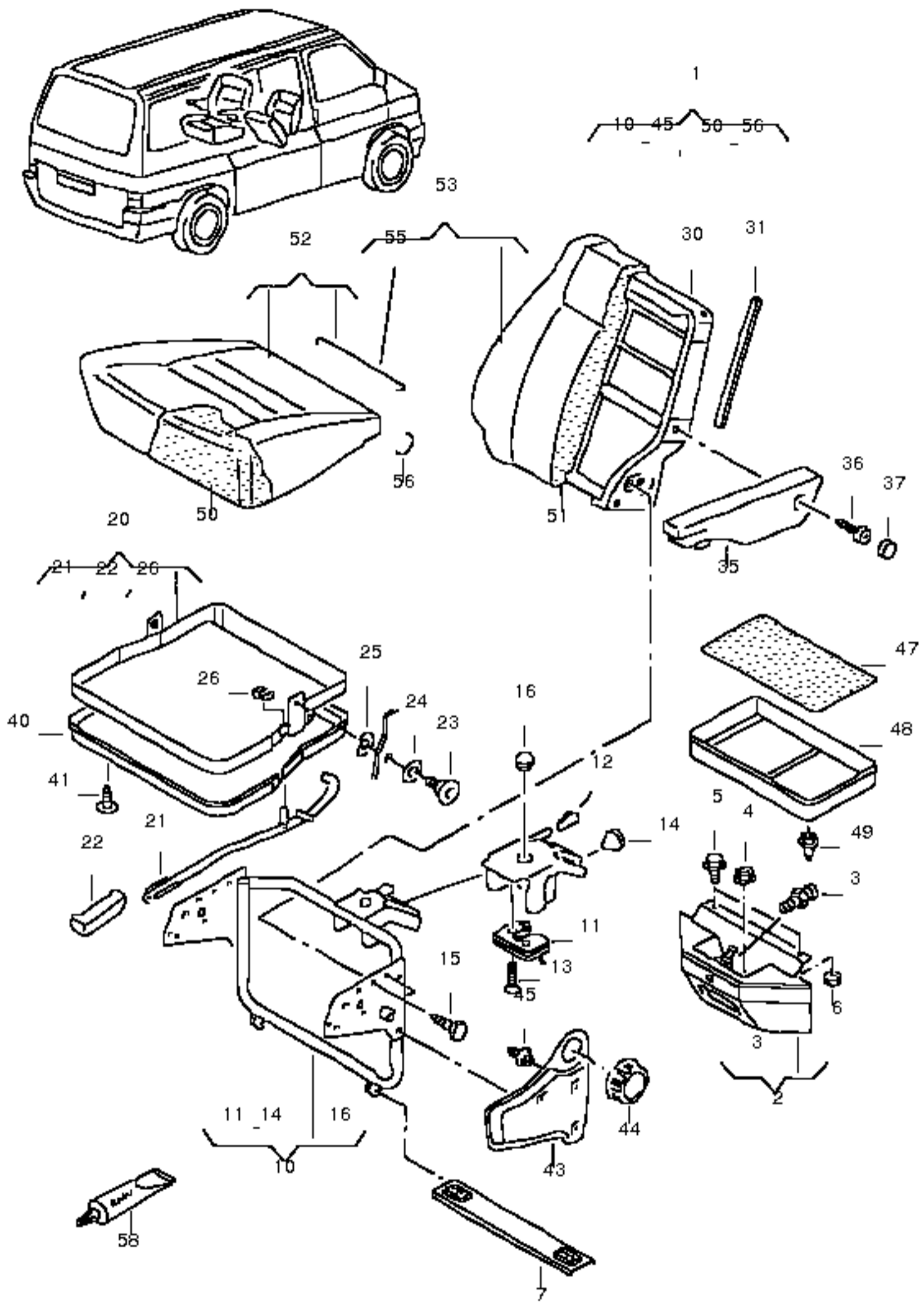
37 171867167A
panel screw / B4,2X21

38 311867169
cap for screw
311867169 J51 lagoon
311867169 U71 flannel grey
311867169 9UW sahara

- 535885483B
upholstery wire / 2,8X520

- 443885717
upholstery wire / 2X480

- N 90162606
upholstery wire / 2,8X368



folding seat in passeng. comp. / MULTIVAN

1 7D0883021BK
folding seat in passeng. comp. / PR-N0U
7D0883021BKHYE flannel grey / -KQ

(1) 7D0883021BJ
folding seat in passeng. comp. / PR-N0P
7D0883021BJHQA flannel grey / -AQ

2 703883273
seat box
703883273 2DP flannel grey

3 357837034
lock pin

4 N 01100830
hexagonal nut / M8

5 N 10009202
hexagon head bolt (combi) / M6X20-Z2

6 N 02214811
hexagon nut, self-locking / VM6

7 703883281H
retain. strip for folding seat

10 703883311A
seat frame
703883311A 01A black

11 703883389
lock

12 703883393
cover cap

13 N 0214163
oval head countersunk bolt / M8X32

14 N 0200251
plug

15 N 01023820
hexagonal head bolt / M8X15

20 703883305A
seat well

21 255887391
lever
255887391 01C black

22 171881253
handle
171881253 01C satin black

23 N 90022801
allen key head bolt / M10X12

24 251857854
concave spring washer

25 N 0122323
spring washer / B12X24X1,2

26 N 0124362
lock washer / 6

30 703883045K
backrest frame

31 701881757A
protective cover

(35) 701881081B
armrest (cloth) / left
701881081B EEM flannel grey / -BX
701881081B EEZ flannel grey / -AB

(35) 703881081H
armrest (cloth) / left
703881081H EJF flannel grey / -WK

(35) 703881081J
armrest / left
703881081J GWY lagoon / -TS
703881081J GWZ flannel grey / -TU
703881081J 9QH flannel grey / -TV

(35) 705881081B
armrest / left / PR-N0F
705881081B EEW flannel grey / -BS,UF

(35) 703883081F
armrest (leatherette) / left
703883081F 7EJ flannel grey / -LS,MA

35 701881082B
armrest (cloth) / right
701881082B EEM flannel grey / -BX
701881082B EEZ flannel grey / -AB

(35) 703881082H
armrest (cloth) / right
703881082H EJF flannel grey / -WK

(35) 703881082J
armrest / right
703881082J GWY lagoon / -TS
703881082J GWZ flannel grey / -TU
703881082J 9QH flannel grey / -TV

(35) 703883082F
armrest (leatherette) / right
703883082F 7EJ flannel grey / -LS,MA

(35) 705881082B
armrest / right / PR-N0F
705881082B EEW flannel grey / -BS,UF

(35) 7D0881081B
armrest (cloth/leatherette) / left / PR-N0P
7D0881081B HQB flannel grey / -AQ

(35) 7D0881082A
armrest (cloth/leatherette) / right / PR-N0P
7D0881082A HQB flannel grey / -AQ

(35) 7D0881081C
armrest (cloth) / left / PR-N2N
7D0881081C 3EU flannel grey / -RW,RX,RY,RZ,
7D0881081C 3EU flannel grey / -22,51 / PR-N2Z

(35) 7D0881082B
armrest (cloth) / right / PR-N2N
7D0881082B 3EU flannel grey / -RW,RX,RY,RZ,
7D0881082B 3EU flannel grey / -22,51 / PR-N2Z

(35) 7D0881081T
armrest (cloth) / left / PR-N0U
7D0881081T 2EY flannel grey / -KQ
7D0881081T 30J lagoon / -KR
7D0881081T 4PP light beige / -KS

(35) 7D0881082K
armrest (cloth) / right / PR-N0U
7D0881082K 2EY flannel grey / -KQ
7D0881082K 30J lagoon / -KR
7D0881082K 4PP light beige / -KS

(35) 7D0881081AA
armrest (cloth) / left / PR-N2Z
7D0881081AA3EU flannel grey / -22,51

(35) 7D0881082L
armrest (cloth) / right / PR-N2Z
7D0881082L 3EU flannel grey / -22,51

36 N 0147263
allen key head bolt / M8X30

37 7D0881979
plug
7D0881979 J51 lagoon
7D0881979 Q70 light beige
7D0881979 U71 flannel grey

40 70388339A
covering
70388339A 4FB black

41 703883343
clip
703883343 01C black

(43) 703883893A
lining / left
703883893A J51 lagoon / -TS
703883893A U71 flannel grey / -TU,TV,UF,AB, / BX,LS,MA,WK, / KQ

43 703883894A
lining / right
703883894A J51 lagoon / -TS
703883894A U71 flannel grey / -TU,TV,AB,BX, / LS,MA,UF,WK, / KQ

44 357881671
adjustment knob
357881671 4FB black

45 703883932
clip

47 7D0858587B
insert for stowage box
7D0858587B 01C satin black

48 703883949A
shelf/stowage compartment
703883949A 01C satin black

49 703867299
clip

50 701881375C
padding for seat

51 701881775B
padding for backrest

- IH0867199
plug / 23X10,5X19
IH0867199 01C satin black

52 7D1881405A
seat cover (cloth) / PR-N2W
7D1881405A GWY lagoon / -TS
7D1881405A GWZ flannel grey / -TU
7D1881405A 9QH flannel grey / -TV

(52) 701881405R
seat cover (cloth)
701881405R EEM flannel grey / -BX
701881405R EEZ flannel grey / -AB

(52) 701881405
seat cover (leatherette)
701881405 EEK flannel grey / -LS,MA

(52) 7D1881405
seat cover (cloth) / PR-N4V
7D1881405 EJF flannel grey / -WK

(52) 705881405A
seat cover (cloth) / CARAVELLE GL
705881405A EEW flannel grey / -BS,UF

(52) 7D0881405E
seat cover (cloth/leatherette) / PR-N0P
7D0881405E HQA flannel grey / -AQ

(52) 7D0881405D
seat cover (cloth) / PR-N0U
7D0881405D HYE flannel grey / -KQ

(52) 7D0881405G
seat cover (cloth) / PR-N2Z
7D0881405G HRC flannel grey/blue / -22

53 7D1883455A
backrest cover (cloth) / PR-N2W
7D1883455A GWY lagoon / -TS
7D1883455A GWZ flannel grey / -TU
7D1883455A 9QH flannel grey / -TV

(53) 703883455AP
backrest cover (cloth)
703883455APEEM flannel grey / -BX
703883455APEEZ flannel grey / -AB

(53) 7D0883455
backrest cover (cloth)
7D0883455 EEW flannel grey / -UF

(53) 703883455BD
backrest cover (leatherette)
703883455BDEEK flannel grey / -LS,MA

(53) 7D1883455
backrest cover (cloth) / PR-N4V
7D1883455 EJF flannel grey / -WK

(53) 7D0883455AK
backrest cover (cloth) / PR-N0U
7D0883455AKHYE flannel grey / -KQ

(53) 7D0883455AL
backrest cover (cloth/leatherette) / PR-N0P
7D0883455ALHQA flannel grey / -AQ

(53) 7D0883455AQ
backrest cover (cloth) / PR-N2Z
7D0883455AQHRD flannel grey/blue / -22

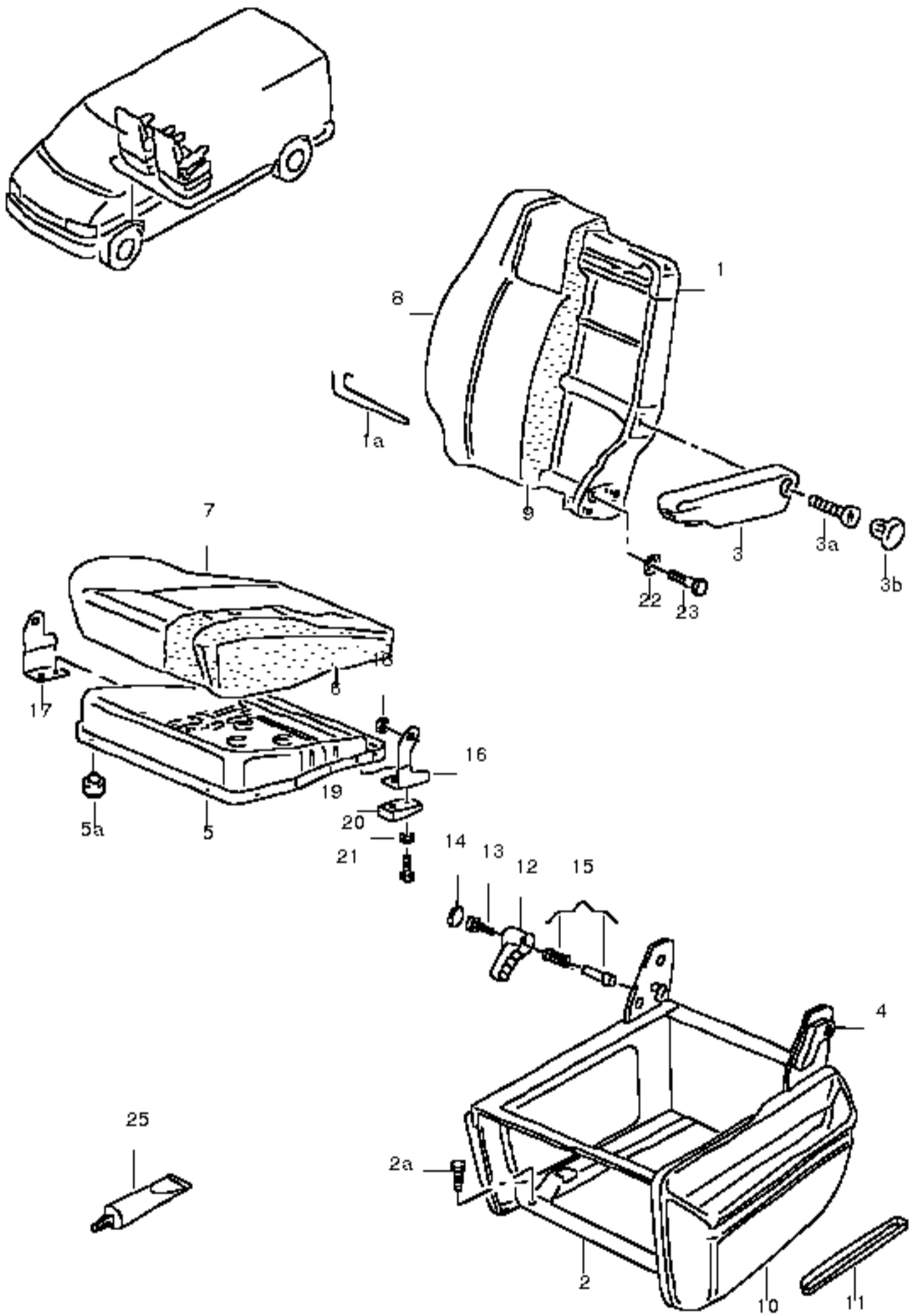
55 N 90162606
upholstery wire / 2,8X368

(55) 443885717
upholstery wire / 2X480

(55) 535885483B
upholstery wire / 2,8X520

56 N 0152611
clips / 20X1,8

58 AMV195KD101
adhesive / 3G



folding seat in passeng. comp. / MULTIVAN
for vehicles with cool box

1 703883045B
backrest frame

1A 701881143
spring bar

2 703883061D
seat frame
703883061D 01A black

2A N 0147695
cheese head bolt, self-locking / M8X25

3 703881081J
armrest / left
703881081J GWY lagoon / -TS
703881081J GWZ flannel grey / -TU
703881081J 9QH flannel grey / -TV

(3) 703881082J
armrest / right
703881082J GWY lagoon / -TS
703881082J GWZ flannel grey / -TU
703881082J 9QH flannel grey / -TV

(3) 7D0881081B
armrest (cloth/leatherette) / left / PR-N0P
7D0881081B HQB flannel grey / -AQ

(3) 7D0881082A
armrest (cloth/leatherette) / right / PR-N0P
7D0881082A HQB flannel grey / -AQ

(3) 7D0881081T
armrest (cloth) / left / PR-N0U
7D0881081T 2EY flannel grey / -KQ
7D0881081T 30J lagoon / -KR
7D0881081T 4PP light beige / -KS

(3) 7D0881082K
armrest (cloth) / right / PR-N0U
7D0881082K 2EY flannel grey / -KQ
7D0881082K 30J lagoon / -KR
7D0881082K 4PP light beige / -KS

(3) 7D0881081AA
armrest (cloth) / left / PR-N2Z
7D0881081AA3EU flannel grey / -22

(3) 7D0881082L
armrest (cloth) / right / PR-N2Z
7D0881082L 3EU flannel grey / -22

3A N 90592002
cheese head bolt / M8X25ASP

3B 701881979A
plug
701881979A Q70 light beige

3B 7D0881979
plug
7D0881979 J51 lagoon
7D0881979 U71 flannel grey

4 703883251
handle
703883251 J51 lagoon
703883251 U71 flannel grey

5 703883303A
seat well

5A 6N4839529
stop buffer / 18X9 seat well

6 703883375B
padding for seat

7 7D1883405
seat cover (cloth)
7D1883405 GWY lagoon / -TS
7D1883405 GWZ flannel grey / -TU
7D1883405 9QH flannel grey / -TV

(7) 7D1883405B
seat cover (cloth) / PR-N0P
7D1883405B HQA flannel grey / -AQ

(7) 7D1883405C
seat cover (cloth) / PR-N0U
7D1883405C HYE flannel grey / -KQ

(7) 7D1883405D
seat cover (cloth) / PR-N2Z
7D1883405D HRC flannel grey/blue / -22

8 7D1883455B
backrest cover (cloth)
7D1883455B GWY lagoon / -TS
7D1883455B GWZ flannel grey / -TU
7D1883455B 9QH flannel grey / -TV

(8) 7D1883455G
backrest cover (cloth) / PR-N0P
7D1883455G HQA flannel grey / -AQ

(8) 7D1883455H
backrest cover (cloth) / PR-N0U
7D1883455H HYE flannel grey / -KQ

(8) 7D1883455J
backrest cover (cloth) / PR-N2Z
7D1883455J HRD flannel grey/blue / -22

9 703883775C
padding for backrest

10 703883949
shelf/stowage compartment
703883949 J51 lagoon
703883949 U71 flannel grey

11 7D0858587A
insert for stowage box
7D0858587A J51 lagoon
7D0858587A U71 flannel grey

12 703883253
handle
703883253 J51 lagoon
703883253 U71 flannel grey

13 N 0141233
fillister hd. bolt / M4X10

14 701883623
cover cap
701883623 U71 flannel grey

15 703898900
repair kit release lever

16 701883931
retaining bracket / left

17 701883932
retaining bracket / right

18 N 01100840
hexagonal nut / M8

19 703883890
stop buffer

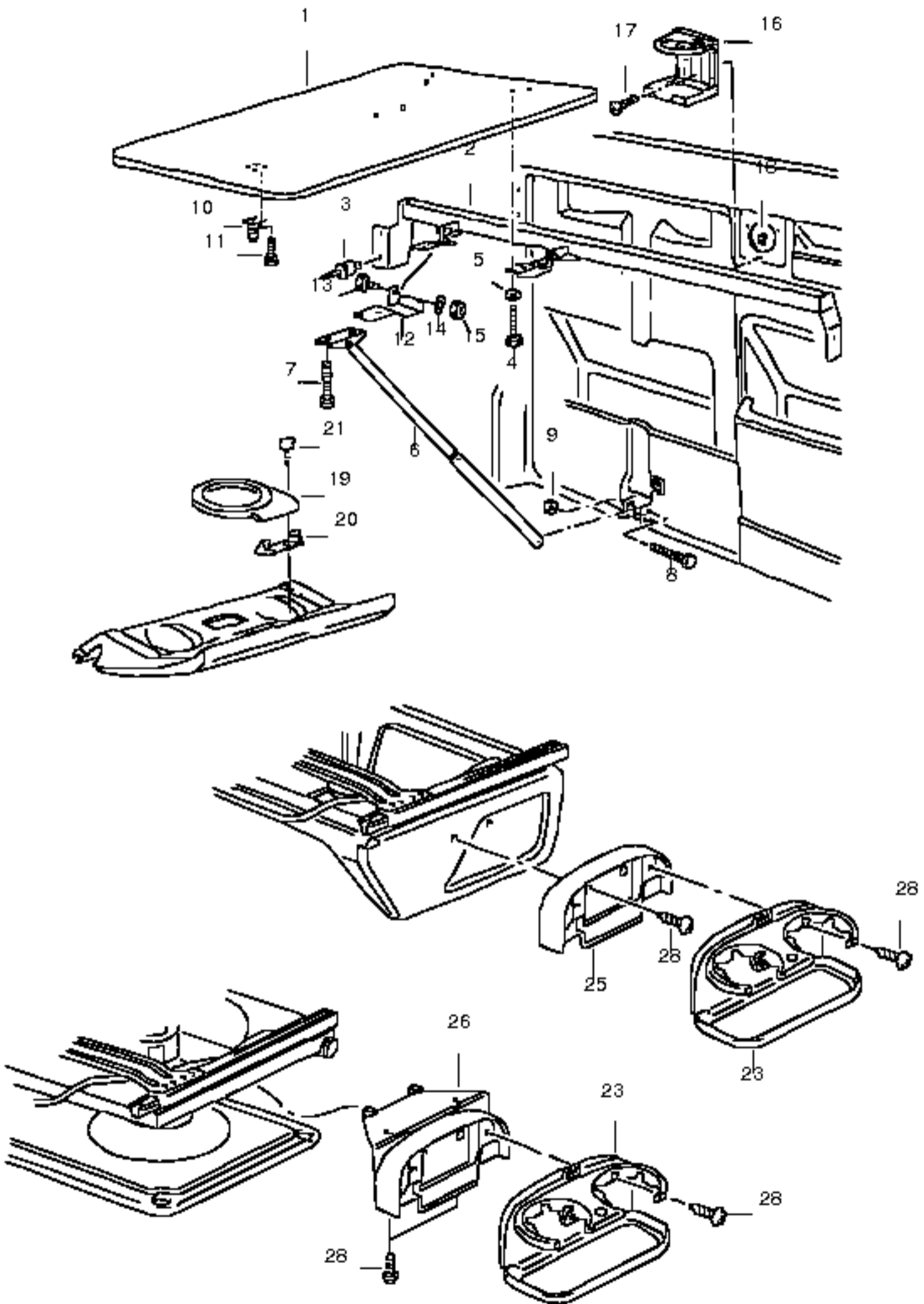
20 703862805
spacer bush

21 N 0147973
allen key head bolt / M8X22

22 N 0120387
spring ring / 8

23 N 0103324
hexagonal head bolt / M8X32

25 AMV195KD101
adhesive / 3G



folding table / MULTIVAN
cup/drinks holder / rear
cool box
F >> 70-X-200 000*
cup/drinks holder / front
folding table / MULTIVAN
cup/drinks holder / rear
F >> 70-X-200 000*
locating ring
locking retainer
side trim panel
see illustration: / 867-10 / 2C

1 703861183A
table top
703861183A 1LE flannel grey
703861183A 3PA lagoon

2 703861185C
retainer for table top / lhd / MULTIVAN

3 N 90437401
pop-rivet / A4,8X10

4 N 01021612
hexagonal head bolt / M6X18

5 N 01152423
washer / A6,4X12,5X1,6

6 703861188A
support tube
703861188A 01A black
703861188A 2DP flannel grey

- 253859415
locking retainer

- 703861196
retainer / lower
support tube for folding table

7 N 01414112
fillister hd. bolt / M6X18

8 N 0103054
hexagonal head bolt / M6X32

9 N 02214811
hexagon nut, self-locking / VM6

10 703861193
locking retainer

11 N 0139541
oval head panel screw / B2,9X13

12 703861198
hinge / front
703861198 2DP flannel grey

(12) 703861200
hinge / rear
703861200 2DP flannel grey

13 N 01021612
hexagonal head bolt / M6X18

14 N 0152761
washer / 6X12X1,6

15 N 02214811
hexagon nut, self-locking / VM6

16 703862533
cup/drinks holder
side panel
703862533 J51 lagoon
703862533 U71 flannel grey

17 N 0139649
oval head panel screw / ST4,2X16-C
snap nut

cup/drinks holder / front / MULTIVAN

19 701862533
cup/drinks holder / black
dash panel box lid
701862533 01C satin black

20 701862555
mounting

(20) 705862555
mounting
for models with padded dashboard

21 N 01396626
oval head panel screw / 4,2X13STC

23 7D0862531
cup/drinks holder / lhd
seat frame
7D0862531 Q70 light beige
7D0862531 U71 flannel grey
7D0862531 01C satin black
7D0862531 9UW sahara

25 7D1862558
retainer / lhd
7D1862558 Q70 light beige
7D1862558 U71 flannel grey
7D1862558 01C satin black
7D1862558 9UW sahara

26 7D0862558
retainer / lhd
(swivelling seat)
7D0862558 Q70 light beige
7D0862558 U71 flannel grey
7D0862558 01C satin black
7D0862558 9UW sahara

28 N 90241203
fillister hd. bolt / M4X20

cool box
F >> 70-X-200 000*

- 703862801B
cool box / 12V / MULTIVAN
703862801B J51 lagoon
703862801B U71 flannel grey

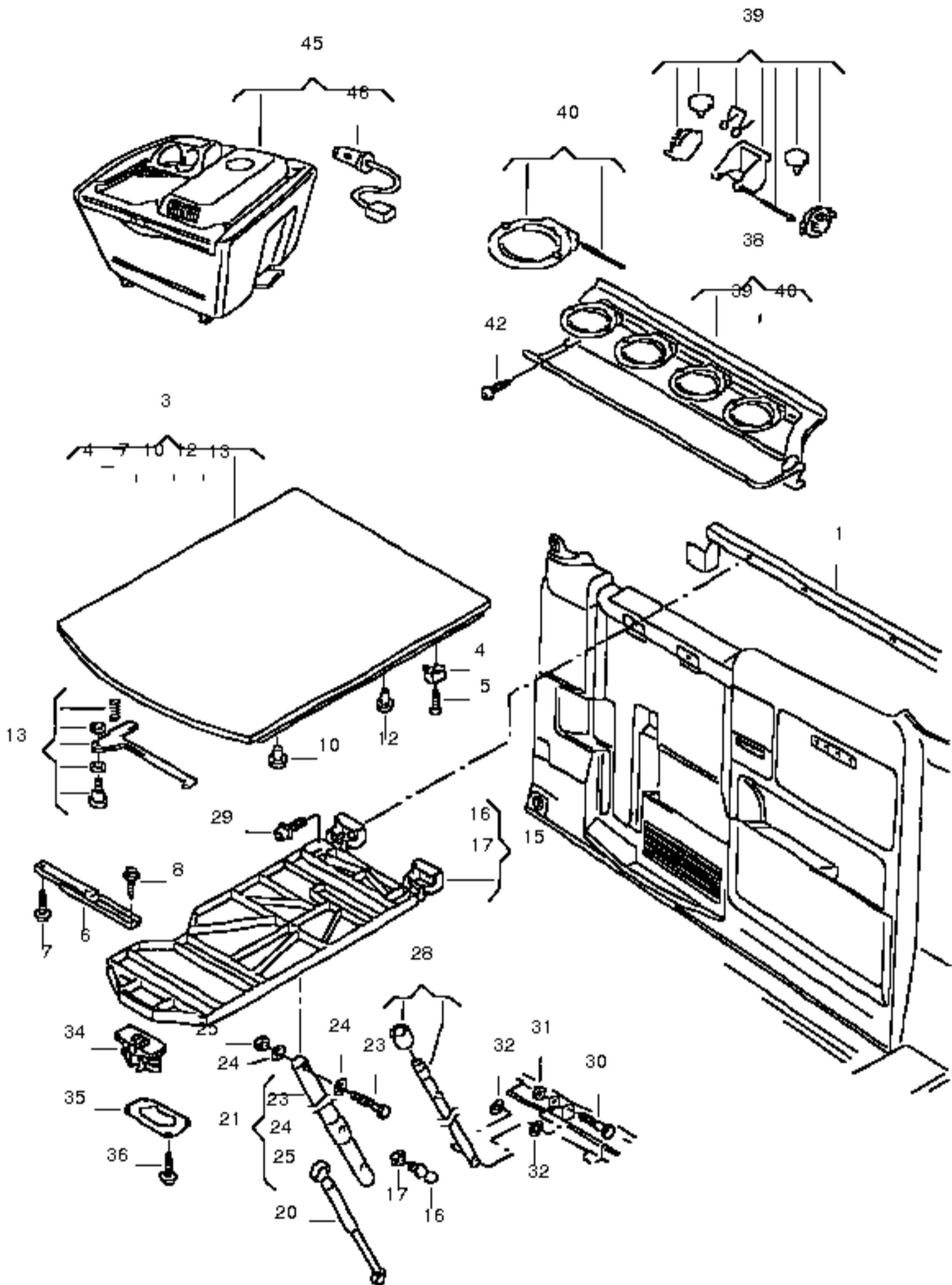
- 7M0971196
wiring harness adapter
cool box

- 147925072
plug for socket / 2 pin

- 183925069
electric socket

- 703862803
guide piece
cool box

- 703862805
spacer bush
guide piece



folding table / MULTIVAN II

cup/drinks holder

cool box

ashtray

see illustration: / 857-30

shelf/stowage compartment

refuse container

see illustration: / 867-10

F 70-Y-000 001>>

folding table

1 7D0861185

retainer for table top

3 7D0861182

table top / PR-1U2

7D0861182 HTR birds eye maple / -AQ,KQ,RW,,RX, / RY,RZ,22,51

(3) 7D0861182A

table top / PR-1U1

7D0861182A HTS birds eye maple/flannel grey / -AQ,KQ,RW,RX,

/ RY,RZ,22,41,

/ 43,44,51,79,

/ 80

4 7D0823493

guide piece

5 N 0142181

countersunk bolt / AM5X20

6 7D0861589B

channel / left/right

7 N 0141335

fillister hd. bolt / M5X12

8 N 0141228

fillister hd. bolt / M4X8

10 7D0813654A

stop buffer / right

/ 12MM

12 7D0813654

stop buffer / left

/ 8MM

13 7D0898935

repair kit

release lever

15 7D0861177

basic plate

16 7D0827345

ball pin

17 N 0221468

hexagon nut, self-locking / VM8

20 7D0861187

gas-filled strut

7D0861187 01C satin black

21 7D1861188A

support tube for folding table / upper

7D1861188A 2DP flannel grey

23 N 0103398

hexagonal head bolt / M6X40

24 7D0861844

clamping washer

25 N 01118312

hexagon nut, self-locking / M6

28 7D1861188

support tube for folding table / lower

7D1861188 2DP flannel grey

- 7D0861363

retainer / lower

support tube for folding table

29 N 10253401

allen key head bolt (combi) / M8X18

30 N 0103054

hexagonal head bolt / M6X32

31 N 02214811

hexagon nut, self-locking / VM6

32 N 01152424

washer / A6,4X12,5X1,6

34 253859415

locking retainer

35 7D0861245

retaining plate

36 N 01396819

oval head panel screw / ST4,8X13-C

cup/drinks holder

38 7D0858601

cup/drinks holder / 4 point

7D0858601 7DE flannel grey

39 7D0898601A

repair kit for drinks/cup holder

40 7D0898601

repair kit for retaining ring for cup/drinks holder

42 N 90422901

panel screw / 4,2X13

cool box

45 7D0862801C

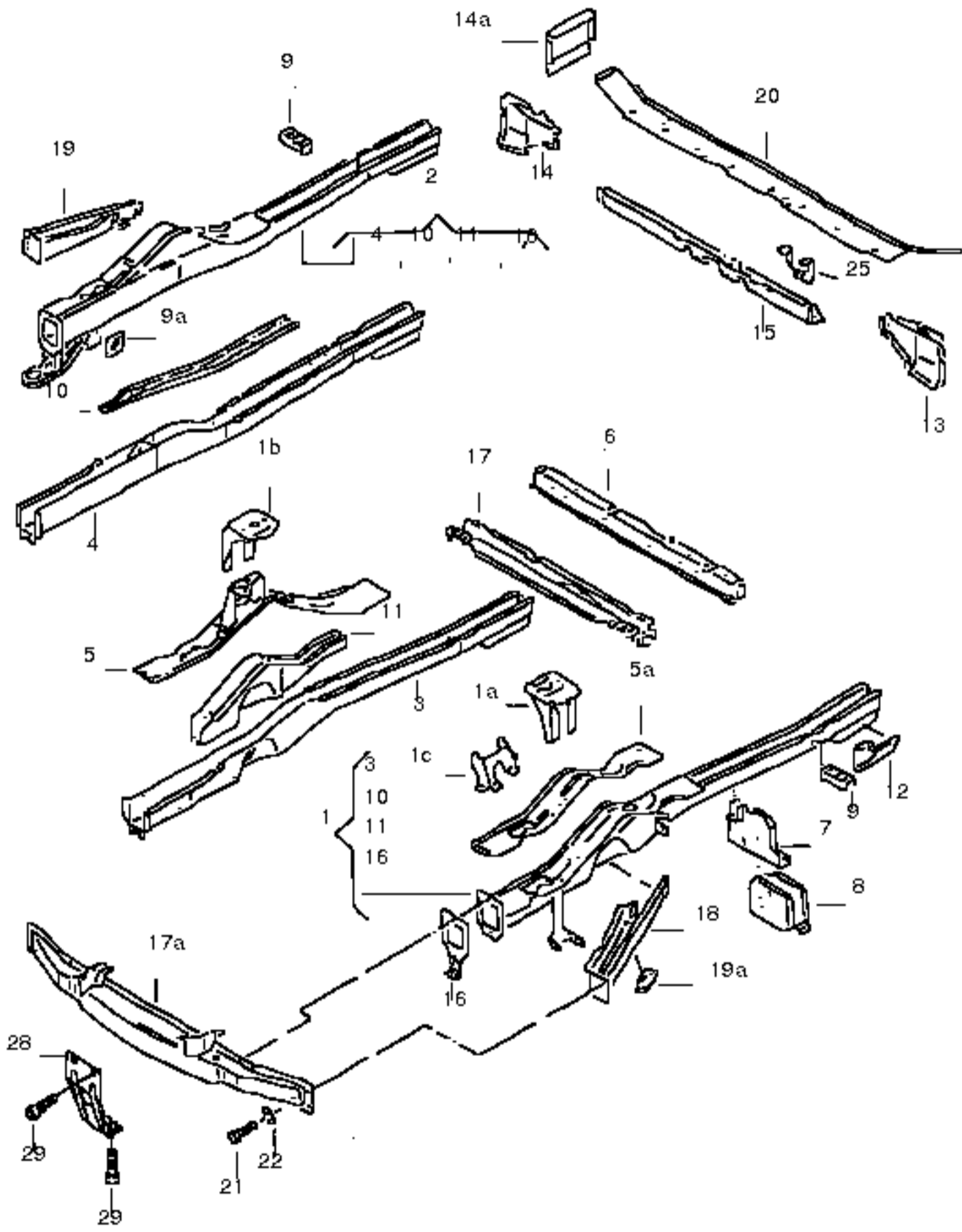
cool box / 12V

7D0862801C U71 flannel grey

46 7M0971196

wiring harness adapter

cool box



frame / front

longitudinal member

cross member

- 000800981

sheet metal plate / 200X1500X0,8

- 000800981A

sheet metal plate / 300X1500X0,8

- 000800981B

sheet metal plate / 500X1500X0,8

- 000800981C

sheet metal plate / 800X1500X0,8

1 7D0803101

side member with reinforcement and welded nut / left

- 701199793A

reinforcement plate / left / TDI

only for: / 701 199 793 A

1B 7D0199374

mounting bracket / right

1B 7D0199374A

mounting bracket / right / TDI:111KW, / OTTOMOTOR: / 150KW

(1C) 701199587B

support plate / left bearing bracket

2 7D0803102

side member with reinforcement and welded nut / right

3 701803107D

longitudinal member / left

4 701803108D

longitudinal member / right

(5) 701803136D

edge plate / right

(5) 7D0803136A

edge plate / right / TDI:111KW, / otto engine: / 150KW

5A 701803137C

edge plate / left

6 701803145

cross member / center

7 701803151

outrigger, a-pillar / left

8 7D0802132

outrigger, a-pillar / right

9 701803155

mounting

9A 701803163

reinforcement / outer

(10) 7D0803167A

reinforcement for side member / left front / inner

10 7D0803168A

reinforcement for side member / right front / inner

11 701804205

reinforcement for side member / left inner

(11) 701804206

reinforcement for side member / right inner

12 701803215

connecting piece / left

(12) 701803216

connecting piece / right

13 701804557

outrigger, b-pillar / left

(14) 701803234B

outrigger, b-pillar / right

14A 701802768

mounting for cross reinforcement / right

15 701803277B

cross member / rear

16 701803601

filler plate for longitudinal member / left

(16) 7D0803602B

filler plate for longitudinal member / right

(17) 701803667A

cross member / front

use if required: / N 011 098 1

- N 0110981

welded nut cross member with mounting for headlights / PR-AC0

see illustration: / 805-00

(17A) 7D0803671A

end cross member / front / PR-AC1

18 701803705B

outrigger / left

19 701803706B

outrigger / right

19A 211809507

plug

(20) 701803933E

cross member / rear, upper

21 N 01023911

hexagonal head bolt / M8X18

22 N 01152520

washer / A8,4X16X1,6

25 701803939D

support / left torsion spring rod

(25) 701803940A

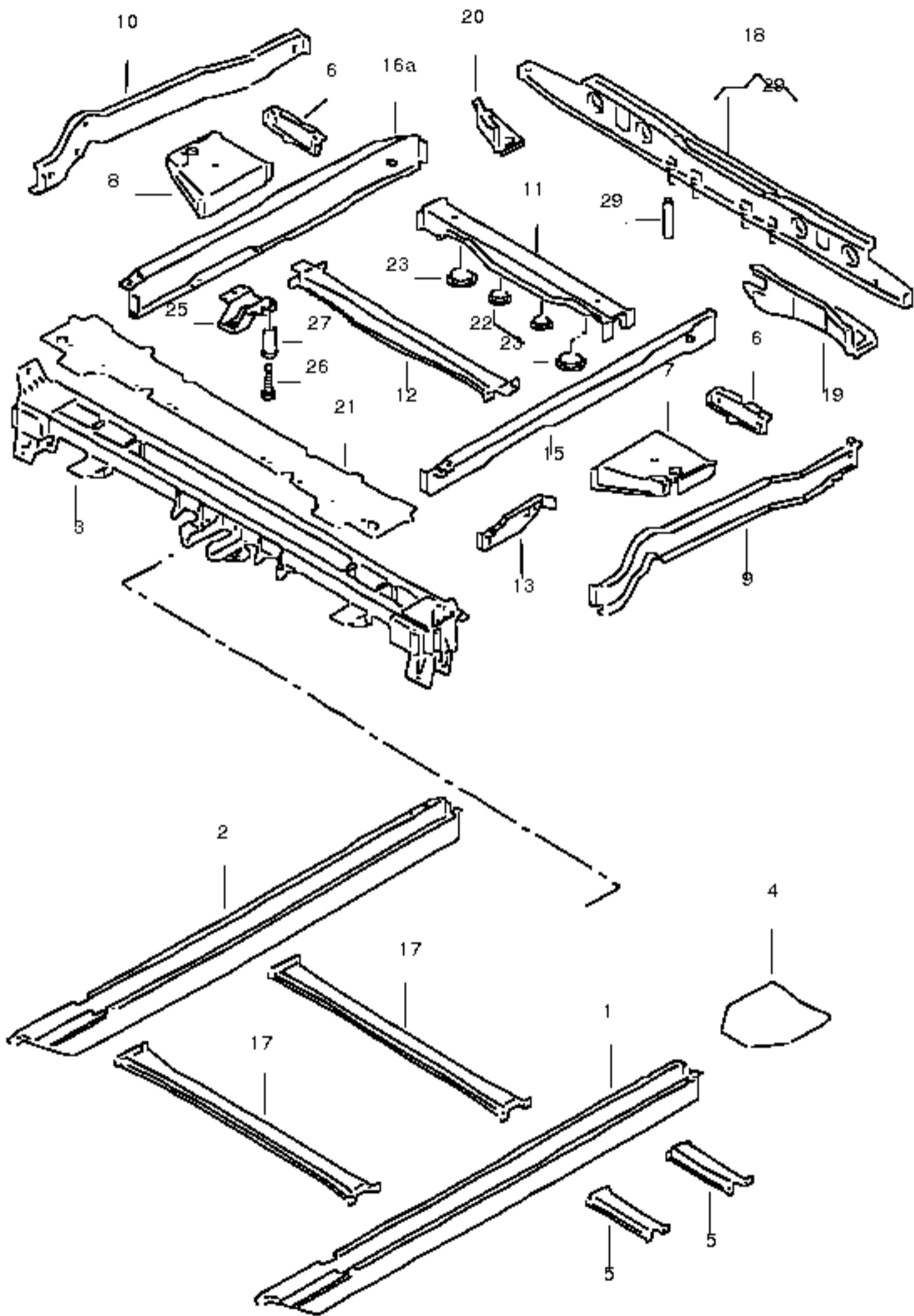
support / right torsion spring rod

28 -----

no longer available

29 N 0147123

allen key head bolt / M8X18



frame / rear / delivery van
 longitudinal member / kombi van
 cross member / bus

- 000800981
 sheet metal plate / 200X1500X0,8

- 000800981A
 sheet metal plate / 300X1500X0,8

- 000800981B
 sheet metal plate / 500X1500X0,8

- 000800981C
 sheet metal plate / 800X1500X0,8

1 701803115
 longitudinal member / left rear for models with wheelbase: / 2920MM

(1) 721803115
 longitudinal member / left rear for models with wheelbase: / 3320MM

2 701803116A
 longitudinal member / right rear for models with wheelbase: / 2920MM

(2) 721803116A
 longitudinal member / right rear wheelbase: / 3320MM

(3) 701803181F
 cross member / center

4 7D1803185A
 gusset plate / left lower

(4) 7D1803186A
 gusset plate / right lower

5 701803273
 cross member / centre outer

(5) 721804575
 outrigger / left wheelbase: / 3320MM

(5) 721804576A
 outrigger / right wheelbase: / 3320MM

6 701803287
 connecting piece spring support

- 701253321C
 bracket for exhaust silencer

7 701803455C
 spring disc / left

8 701803456B
 spring disc / right

(9) 7D0804465
 spring support / left outer

(10) 7D0804466
 spring support / right outer

11 7D1803533B
 cross member / rear

12 701803537A
 cross member with bracket for spare wheel

- 701803543A
 bearing bracket spare wheel mounting

(13) 7D0803545
 mounting for shock absorber / left

(13) 7D0803546
 mounting for shock absorber / right

15 701803553B
 spring support / left inner

16A 701803554
 spring support / right inner

17 701803617
 cross member / front wheelbase: / 2920MM wheelbase: / 3320MM

(18) 7D1803701
 end cross member / rear

(19) 7D1803709
 outrigger / left

20 7D1803712
 outrigger / right

21 701804775A
 sealing plate for cross member / center

22 803803583A
 plug / 19

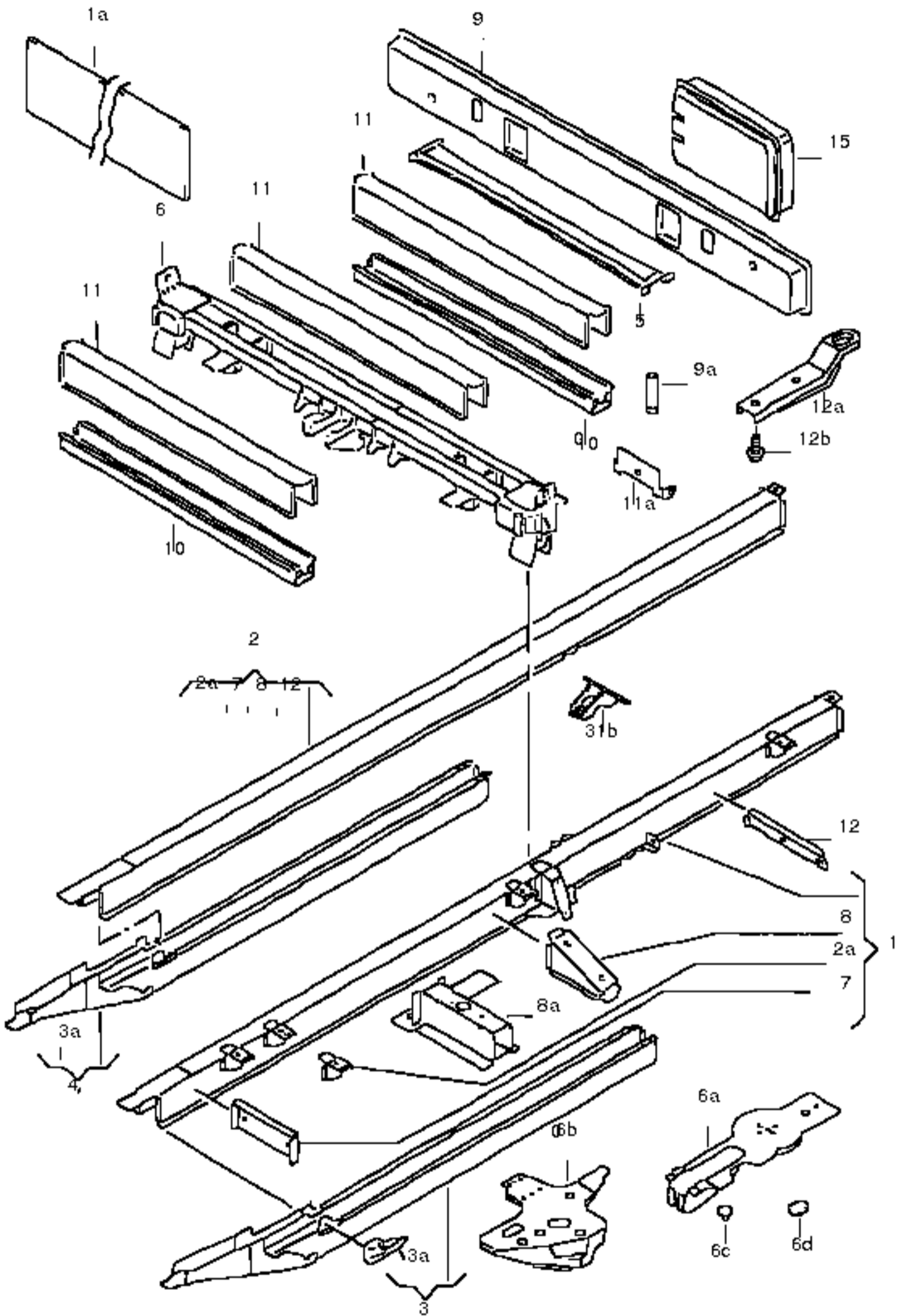
23 N 10034401
 plug / 30X5,6X37

25 701804933D
 anti-roll bar bearing bracket / rear

26 N 0102186
 hexagonal head bolt / M6X25

27 N 10295201
 rivetted cap nut / AM6/5-8

29 701804719A
 threaded bush / 72,5MM for: spare wheel mounting



frame / rear / pick-up

longitudinal member / double cab

cross member

1A 000800981

sheet metal plate / 200X1500X0,8

(1A) 000800981A

sheet metal plate / 300X1500X0,8

(1A) 000800981B

sheet metal plate / 500X1500X0,8

(1A) 000800981C

sheet metal plate / 800X1500X0,8

(1) 707803101A

side member upper part / left

wheelbase: / 2920MM

- 707253321C

console bracket - rear exhaust muffler

- 707803545A

mounting for shock absorber

(1) 727803101A

side member upper part / left for models with wheelbase: / 3320MM

(2) 707803102A

side member upper part / right wheelbase: / 2920MM

(2) 727803102A

side member upper part / right for models with wheelbase: / 3320MM

2A 707801456

console for: cross member

3 707803115

longitudinal member / left rear for models with wheelbase: / 2920MM

(3) 727803115

longitudinal member / left rear for models with wheelbase: / 3320MM

3A 701803215

connecting piece / left

(3A) 701803216

connecting piece / right

4 7D5803116A

longitudinal member / right rear for models with wheelbase: / 2920MM

(4) 7D7803116B

longitudinal member / right rear for models with wheelbase: / 3320MM

5 707803131

cross member with bracket for spare wheel / rear

6 707803181E

cross member / center

(6) 729804711

cross member / double cab without bench seat

(6A) 707802731A

spring support / left upper

(6A) 707802732A

spring support / right upper

6B 707803469A

gusset plate / left lower

(6B) 707803470A

gusset plate / right lower

6C N 0200241

plug / A10X1

6D 171971910

plug / 22X15/14X7

7 707804233

cross member / left outer

(7) 707804234

cross member / right outer

(7) 729804927

cross member / outer / double cab

8 707804635

sealing plate for cross member / outer

8A 729804925

outrigger, c-pillar / double cab

9 707803701

end cross member / rear

9A 701804719A

threaded bush / 72,5MM / pick-up for: / double cab spare wheel mounting

10 707804737A

cross member

11 707804775A

cross member upper part

use if required: / 701 803 543 A

11A 701803543A

bearing bracket spare wheel mounting

11B 701804933D

anti-roll bar bearing bracket / rear

12 707821495

bracket - fender / rear

12A 707807370

towing eye / right rear

12B N 90708502

self-locking bolt / M12X1,5X35

- 729898035

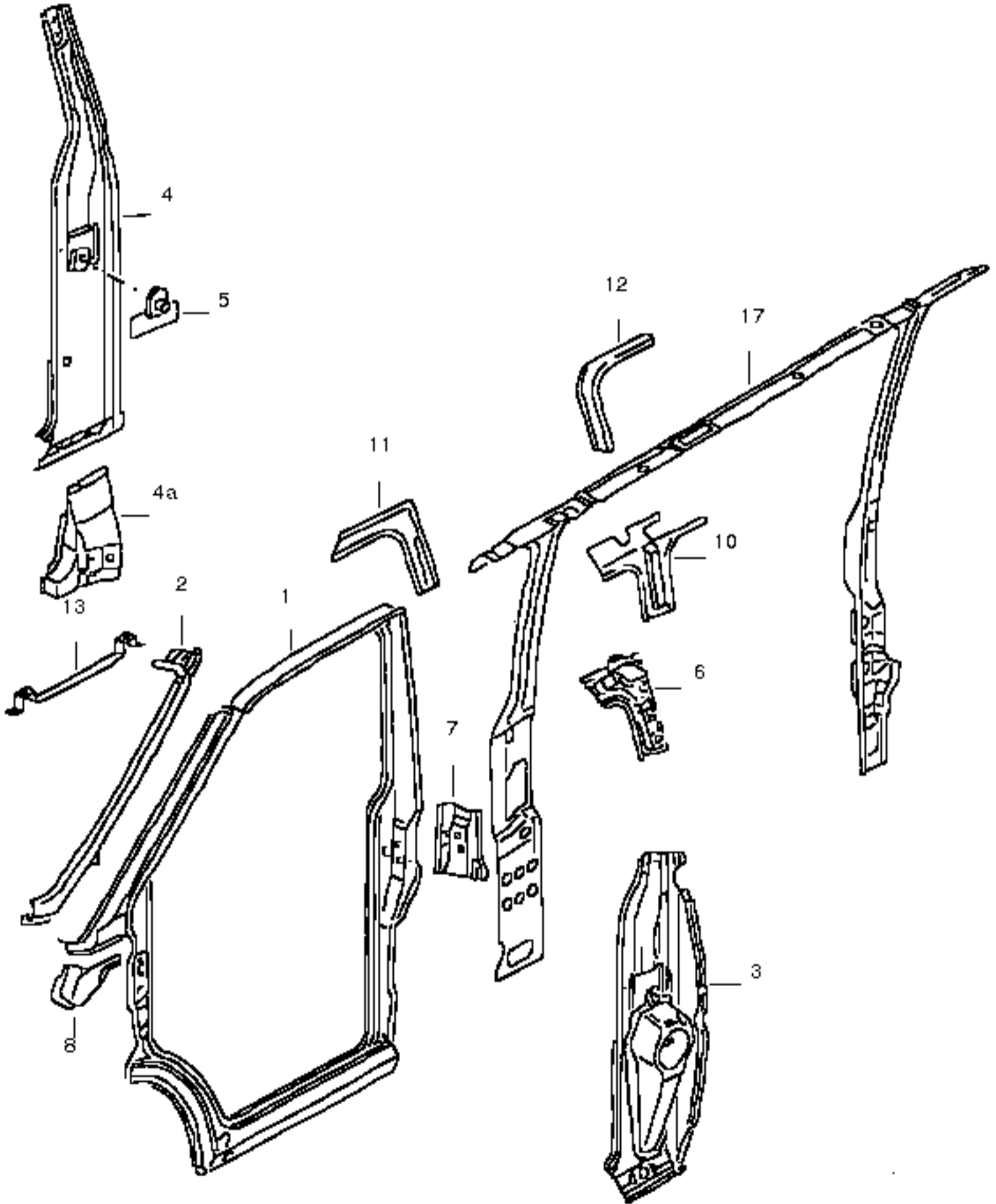
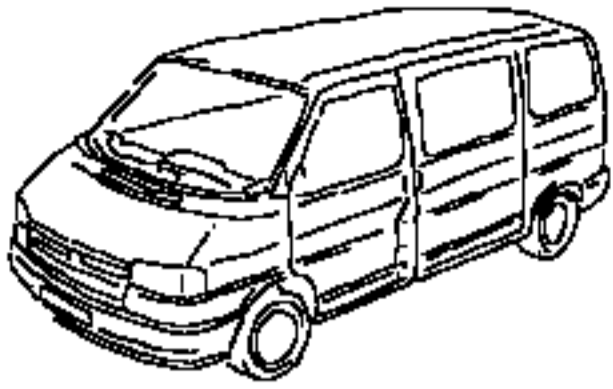
repair kit for rear panel-side member / double cab

15 7D5803909

stone guard

- 707253321C

console bracket - rear exhaust muffler



frame for drivers cab

a-pillar, inner

b-pillar, inner

1 7D0810101A

frame / left / PR-2E2 / 15"

(1) 7D0810101C

frame / left / PR-2E2 / 15" / post

also use: / 7D0 809 273

- 7D0809273

reinforcement / left

(1) 7D0810101B

frame / left / PR-2E3 / 16"

(1) 7D0810102A

frame / right / PR-2E2 / 15"

(1) 7D0810102B

frame / right / PR-2E3 / 16"

2 701809205

a-pillar, inner / left

(2) 701809206

a-pillar, inner / right

(3) 7D1809251F

b-pillar, inner / left

(4) 7D1809251G

b-pillar, inner / left

for vehicles with sliding door cut-out

(3) 7D1809252D

b-pillar, inner / right

(4) 7D1809252E

b-pillar, inner / right

for vehicles with sliding door cut-out

4A 701802458A

gusset for b-pillar / right lower

(5) 7D0809486

reinforcement plate for seat belt mounting b-pillar, inner / lower

6 701809445A

reinforcement for pillar b / left upper

for vehicles with sliding door cut-out

(6) 701809445B

reinforcement for pillar b / left upper

reinforcement for pillar b / right upper

for vehicles with sliding door cut-out

discontinued / replacement: / 701 810 042

(6) 701809446B

reinforcement for pillar b / right upper

7 701809611

reinforcement for pillar b / left, center

(7) 701809612C

reinforcement for pillar b / right, center

(8) 701805187A

air guide plate / left

(8) 701805188A

air guide plate / right

10 701810721

reinforcement for pillar b / left upper sliding door side / inner

(10) 701810722

reinforcement for pillar b / right upper sliding door side / inner

13 703858685A

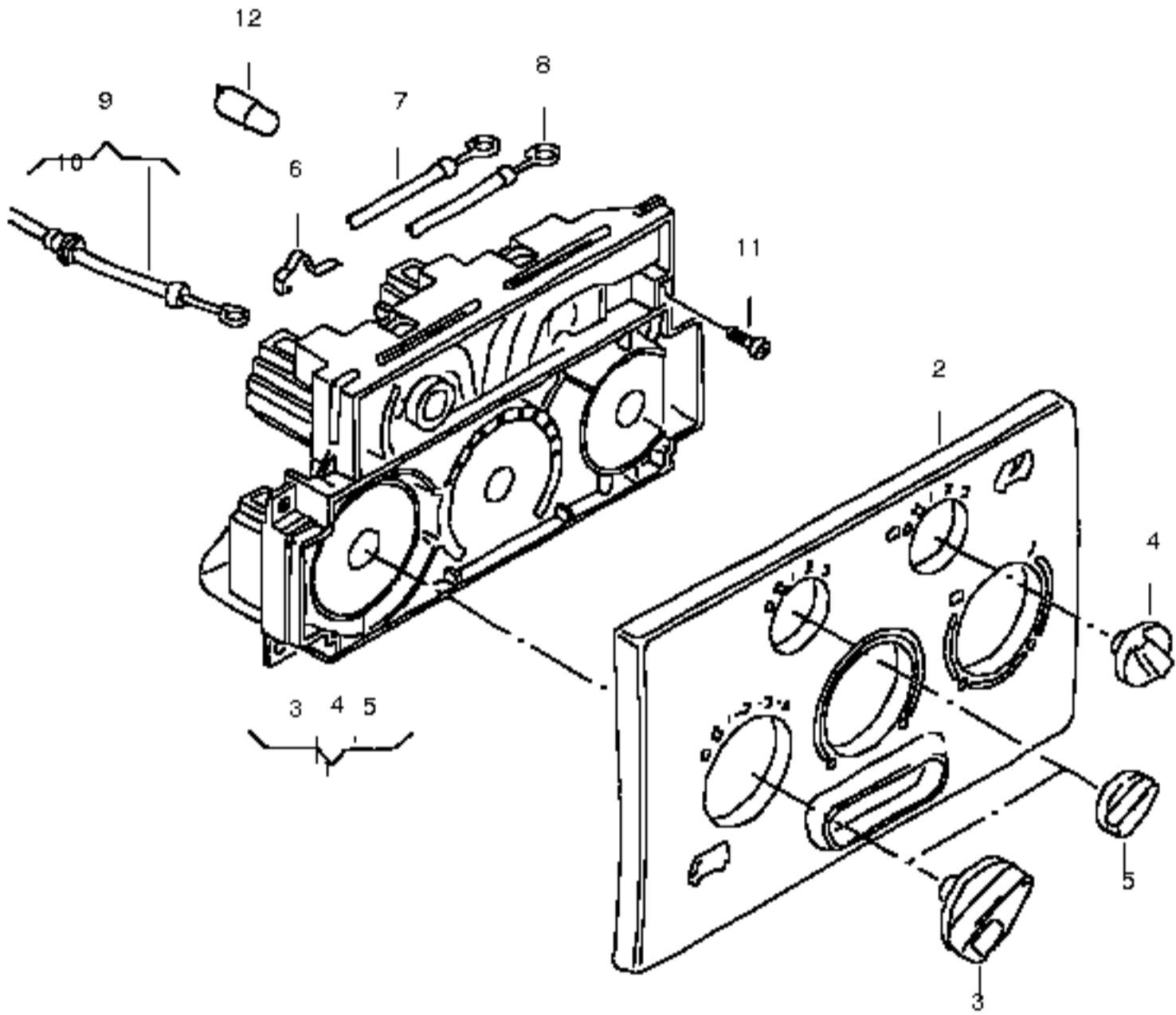
bracket for grab handle a-pillar

(13) 703858686

bracket for grab handle / right b-pillar

17 701810042

reinforcement sliding door frame (sliding door, right)



fresh air and heater controls

F >> 70-X-080 000*

/ 2.8ltr. / 6 cylinder: / AES,

/ 1.9ltr. / diesel eng.: / ABL,

/ 2.0ltr. / 4 cylinder: / AAC

/ 2.5ltr. / 5 cylinder: / AET,AEU,

/ 2.4/2.5ltr. / diesel eng.: / AJA,ACV,AJT,/ AHY

(1) 7D1819045B

fresh air and heater controls / lhd / AAC,AET,AEU,

/ AES,ABL,AJA,

/ ACV,AJT

(1) 7D1819045H

fresh air and heater controls / lhd / AHY

(1) 7D1819045B

fresh air and heater controls / rhd

(1) 7D1819045B

fresh air and heater controls / lhd / ambulance

/ AAC,AET,AEU,

for vehicles with 2nd heat exchanger / AES,ABL,AJA,

/ ACV,AJT

(1) 7D1819045H

fresh air and heater controls / lhd / ambulance

/ AHY

for vehicles with 2nd heat exchanger

(1) 7D1819045C

fresh air and heater controls / lhd / camp- mobile:

for vehicles with 2nd heat exchanger / GRUNDAUSST.,

/ CARAVELLE,

/ MULTIVEN,

/ ALLSTAR,

/ CLASSIC,

/ CALIFORNIA

(1) 7D1819045J

fresh air and heater controls / lhd / camp- mobile:

for vehicles with 2nd heat exchanger / GRUNDAUSST.,

/ CARAVELLE,

/ MULTIVAN,

/ ALLSTAR,

/ CLASSIC: / AHY

(1) 7D1819045C

fresh air and heater controls / rhd / camp- mobile

for vehicles with 2nd heat exchanger

(1) 7D1819045D

fresh air and heater controls / lhd / AAC,AET,AEU, / AES,ABL,AJA,

for vehicles with passenger comp. ventilation / ACV,AJT

for vehicles with 2nd. heat exchanger and warm air vent passenger compartment step

(1) 7D1819045K

fresh air and heater controls / lhd / AHY

for vehicles with passenger comp. ventilation

for vehicles with 2nd. heat exchanger and warm air vent passenger compartment step

MIT UMLUFT

(1) 7D1819045D

fresh air and heater controls / rhd

for vehicles with passenger comp. ventilation

for vehicles with 2nd. heat exchanger and warm air vent passenger compartment step

switch for fresh or recirculated air selection

see illustration: / 941-86 POS.22

(1) 701820045A

fresh air and heater controls / air condit.

(1) 7D1820045A

fresh air and heater controls / air condit.

for vehicles with 2nd heat exchanger

(1) 7D1820045

fresh air and heater controls / air condit.

for vehicles with passenger comp. ventilation

for vehicles with 2nd heat exchanger

switch for fresh or recirculated air selection

for vehicles with manually regulated air conditioner

see illustration: / 941-86 POS.22

display and operating unit

for vehicles with electronically regulated air condit.

see illustration: / 941-86 POS.6

(2) 7D1819075A

trim for fresh air and heater controls

7D1819075A 01C satin black

(2) 7D1819075B

trim for fresh air and heater controls

7D1819075B 01C satin black

for vehicles with 2nd heat exchanger

(2) 7D1819075C

trim for fresh air and heater controls

7D1819075C 01C satin black

for vehicles with 2nd heat exchanger

for vehicles with passenger comp. ventilation

3 1H0819129

knob

1H0819129 01C satin black

4 701819129A

knob

701819129A 01C satin black / red

5 701819129B

knob

701819129B 01C satin black / blue

6 823819679

clips

(7) 7D1819833

cable - / lhd / AAC,AET,AEU,

foot well flap / AES,ABL,AJA,

/ ACV,AJT

(7) 7D1820833A

cable - / lhd / AHY

foot well flap

(7) 7D1820833A

cable - / lhd / air condit.

foot well flap

(7) 7D2819833

cable - / rhd

foot well flap

(7) 7D2820833A

cable - / rhd / air condit.

foot well flap

(8) 7D1819835

cable - / lhd / AAC,AET,AEU,

defroster flap / AES,ABL,AJA, / ACV,AJT

(8) 7D1820835A

cable - / lhd / AHY

defroster flap

(8) 7D1820835A

cable - / lhd / air condit.

defroster flap

(8) 7D2819835

cable - / rhd

defroster flap

(8) 7D2820835A

cable - / rhd / air condit.

defroster flap

9 701819837C

cable for heater valve / lhd / AAC,AET,AEU,

/ AES,ABL,AJA,

/ ACV,AJT

(9) 7D1820837A

cable for heater valve / lhd / AHY

(9) 702819837A

cable for heater valve / rhd

(9) 7D1820837A

cable for heater valve / lhd / air condit.

(9) 7D2820837A

cable for heater valve / rhd / air condit.

10 311949149B

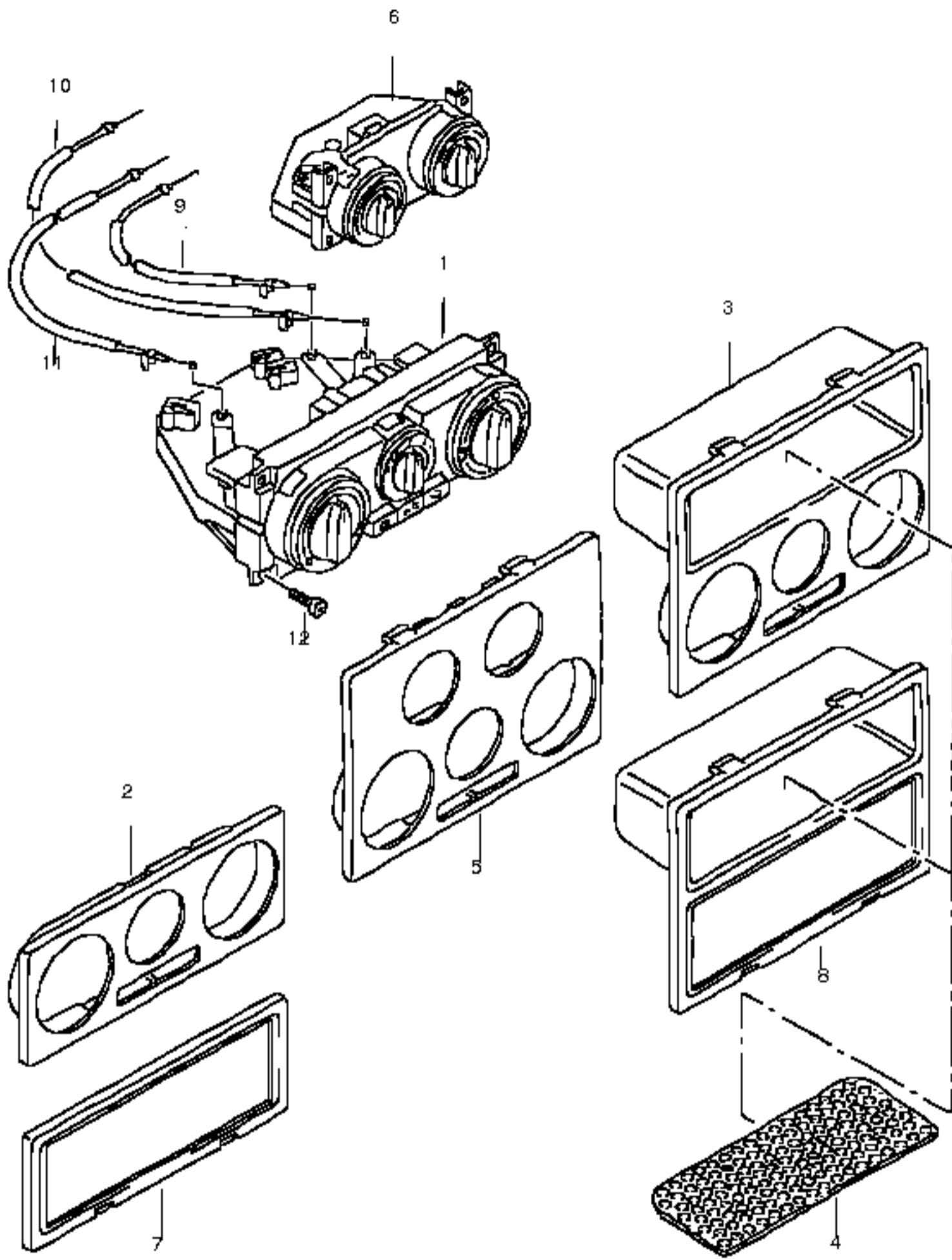
grommet / 13/5

11 N 90448401

fillister hd. bolt / M4X15

(12) 7D0919243

bulb holder with bulb



fresh air and heater controls

F 70-X-080 001>>* / 2.8ltr. / 6 cylinder: / AES,AMV
/ 2.0ltr. / 4 cylinder: / AAC,
/ 1.9ltr. / diesel eng.: / ABL,
/ 2.5ltr. / 5 cylinder: / AET,AEU,APL, / AVT,
/ 2.4/2.5ltr. / diesel eng.: / AJA,ACV,AJT, / AHY,AXG,AYC, / AYY,
/ automatic: / AUF

1 7D1819045L

fresh air and heater controls / lhd / ABL,AES,AAC, / AET,AEU,AJA,
for vehicles with manually regulated heater / ACV,AJT,APL, / AUF,AVT,AYC, / AYY
7D1819045L 01C satin black

1 7D1819045L

fresh air and heater controls / rhd
for vehicles with manually regulated heater
7D1819045L 01C satin black

(1) 7D1819045M

fresh air and heater controls / lhd / ABL,AES,AAC, / AET,AEU,AJA,
for vehicles with manually regulated heater / ACV,AJT,APL, / AVT,AYC,AYY
with: additional heater in passenger compartment
and/or for vehicles with 2nd evaporator
7D1819045M 01C satin black

(1) 7D1819045M

fresh air and heater controls / rhd
for vehicles with manually regulated heater
with: additional heater in passenger compartment
and/or for vehicles with 2nd evaporator
7D1819045M 01C satin black

(1) 7D1819045N

fresh air and heater controls / lhd / AHY,AXG
for vehicles with manually regulated heater
7D1819045N 01C satin black

(1) 7D1819045P

fresh air and heater controls / lhd / AHY,AXG
for vehicles with manually regulated heater
with: additional heater in passenger compartment
and/or for vehicles with 2nd evaporator
7D1819045P 01C satin black

(1) 7D1819045N

fresh air and heater controls / lhd / AMV
for vehicles with manually regulated heater
7D1819045N 01C satin black

(1) 7D1819045P

fresh air and heater controls / lhd / AMV
for vehicles with manually regulated heater
with: additional heater in passenger compartment
and/or for vehicles with 2nd evaporator
7D1819045P 01C satin black

(1) 7D1820045E

fresh air and heater controls
for vehicles with manually regulated air conditioner
7D1820045E 01C satin black

(1) 7D1820045F

fresh air and heater controls
for vehicles with manually regulated air conditioner
with: additional heater in passenger compartment
and/or for vehicles with 2nd evaporator
7D1820045F 01C satin black

2 7D1819075E

trim for fresh air and heater controls
for vehicles with manually regulated heater
for vehicles with manually regulated air conditioner
for vehicles with navigation system
7D1819075E 01C satin black

3 7D1819075H

trim for fresh air and heater controls / lhd
for vehicles with manually regulated heater
for vehicles with manually regulated air conditioner
with: additional heater in passenger compartment
and/or for vehicles with 2nd evaporator
use if required: / 7D0 858 577
7D1819075H 01C satin black

3 7D1819075H

trim for fresh air and heater controls / lhd
for vehicles with manually regulated heater
for vehicles with manually regulated air conditioner
use if required: / 7D0 858 577
7D1819075H 01C satin black

(3) 7D2819075B

trim for fresh air and heater controls / rhd
for vehicles with manually regulated heater
for vehicles with manually regulated air conditioner
with: additional heater in passenger compartment
and/or for vehicles with 2nd evaporator
use if required: / 7D0 858 577
7D2819075B 01C satin black

(3) 7D2819075B

trim for fresh air and heater controls / rhd
for vehicles with manually regulated heater
for vehicles with manually regulated air conditioner
use if required: / 7D0 858 577
7D2819075B 01C satin black

4 7D0858577

rubber packing
7D0858577 01C satin black

5 7D1819075D

trim for fresh air and heater controls / lhd
for vehicles with manually regulated heater
for vehicles with manually regulated air conditioner
for vehicles with 2nd heat exchanger
7D1819075D 01C satin black

(5) 7D2819075

trim for fresh air and heater controls / rhd
for vehicles with manually regulated heater
for vehicles with manually regulated air conditioner
for vehicles with 2nd heat exchanger
7D2819075 01C satin black

6 7D0919158D

operating unit
for vehicles with manually regulated heater
for vehicles with manually regulated air conditioner
for vehicles with 2nd heat exchanger
7D0919158D 01C satin black

7 7D1820075

trim for fresh air and heater controls
for vehicles with electronically regulated air condit.
for vehicles with 2nd evaporator
for vehicles with navigation system
7D1820075 01C satin black

8 7D1820075A

trim for fresh air and heater controls / lhd
for vehicles with electronically regulated air condit.
for vehicles with 2nd evaporator
use if required: / 7D0 858 577
7D1820075A 01C satin black

(8) 7D2820075A

trim for fresh air and heater controls / rhd
for vehicles with electronically regulated air condit.
for vehicles with 2nd evaporator
use if required: / 7D0 858 577
7D2820075A 01C satin black

control unit for air condit.

for vehicles with electronically regulated air condit.
for vehicles with 2nd evaporator
see illustration: / 941-86 POS.(6)

9 7D1819833B

cable - / lhd / ABL,AES,AAC,
foot well flap / AET,AEU,AJA,
for vehicles with manually regulated heater / ACV,AJT,APL,
/ AUF,AVT,AYC,
/ AYY

(9) 7D2819833B

cable - / rhd
foot well flap
for vehicles with manually regulated heater

(9) 7D1820833C

cable - / lhd / AHY,AXG
foot well flap
for vehicles with manually regulated heater

(9) 7D1820833C

cable - / lhd / AMV
foot well flap
for vehicles with manually regulated heater

(9) 7D1820833C

cable - / rhd
foot well flap
for vehicles with manually regulated air conditioner

(9) 7D2820833C

cable - / rhd
foot well flap
for vehicles with manually regulated air conditioner

10 7D1819835B

cable - / lhd / ABL,AES,AAC,
defroster flap / AET,AEU,AJA,
for vehicles with manually regulated heater / ACV,AJT,APL,
/ AUF,AVT,AYC,
/ AYY

(10) 7D2819835B

cable - / rhd
defroster flap
for vehicles with manually regulated heater

(10) 7D1820835C

cable - / lhd / AHY,AXG
defroster flap
for vehicles with manually regulated heater

(10) 7D1820835C

cable - / lhd / AMV
defroster flap
for vehicles with manually regulated heater

(10) 7D1820835C

cable - / lhd
defroster flap
for vehicles with manually regulated air conditioner

(10) 7D2820835C

cable - / rhd
defroster flap
for vehicles with manually regulated air conditioner

11 7D1819837B

cable for heater valve / lhd / ABL,AES,AAC,
for vehicles with manually regulated heater / AET,AEU,AJA,
/ ACV,AJT,APL,
/ AUF,AVT,AYC,
/ AYY

(11) 7D2819837B

cable for heater valve / rhd
for vehicles with manually regulated heater

(11) 7D1820837C

cable for heater valve / lhd / AHY,AXG
for vehicles with manually regulated heater

(11) 7D1820837C

cable for heater valve / lhd / AMV
for vehicles with manually regulated heater

(11) 7D1820837C

cable for heater valve / lhd
for vehicles with manually regulated air conditioner

(11) 7D2820837C

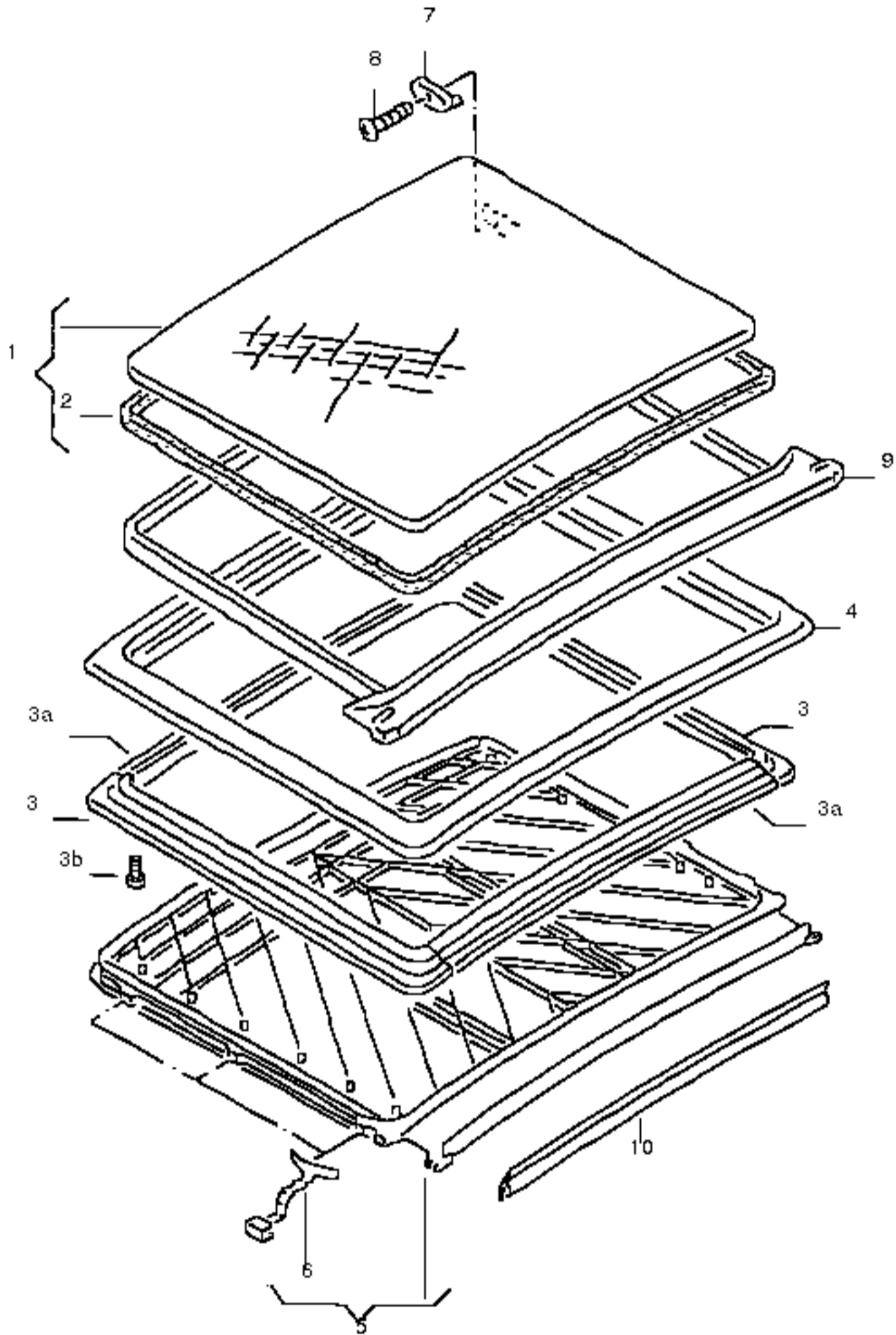
cable for heater valve / rhd
for vehicles with manually regulated air conditioner

12 N 90241203

fillister hd. bolt / M4X20
for vehicles with manually regulated air conditioner

(12) N 90448401

fillister hd. bolt / M4X15
for vehicles with manually regulated heater



glass sliding roof / rear

1 7D1877051

glass sliding roof panel / green

2 703877209

gasket / 3345MM

3 703877195A

clamping profile / left a. right

3A 703877196A

clamping profile / front and rear

3B N 0141233

fillister hd. bolt / M4X10

4 703877213A

frame for sliding roof opening

(5) 7D1877255

sun blind - roof panel

7D1877255 Y20 pearl grey

7D1877255 8YS light beige

6 357877259

guide

7 703877369

clamping piece

8 N 0142154

countersunk bolt / AM5X8

(9) 7D1877611

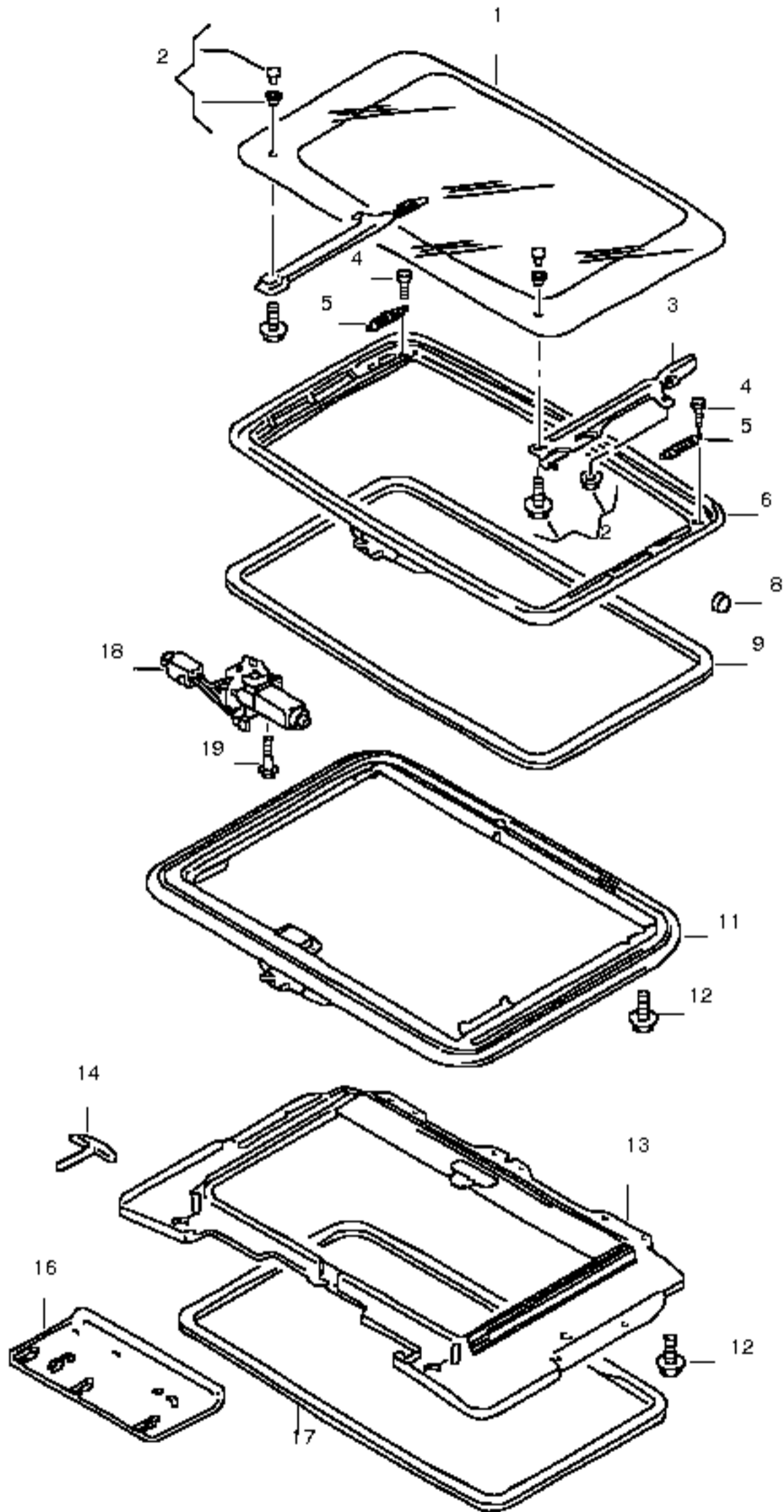
frame

7D1877611 01C satin black

10 703877603

protective edging

water channel



glass sliding roof

1 701877051D
glass sliding roof panel

2 703877599
securing parts
glass sliding roof panel

3 703877927
channel / left

(3) 703877928
channel / right

4 N 0141335
fillister hd. bolt / M5X12

5 703877975
tension spring

6 703877611A
frame for sliding roof opening

8 7D0877619
guide roller

9 703877223
gasket

11 703877269
guide frame

12 N 90288502
oval head panel screw / 5X23MM

13 703877249
water collection plate with roller blind
703877249 X59 pearl grey
703877249 S07 sahara
703877249 23Y light beige
no replacement part

16 703877847
cover for electric drive
703877847 5YX beige

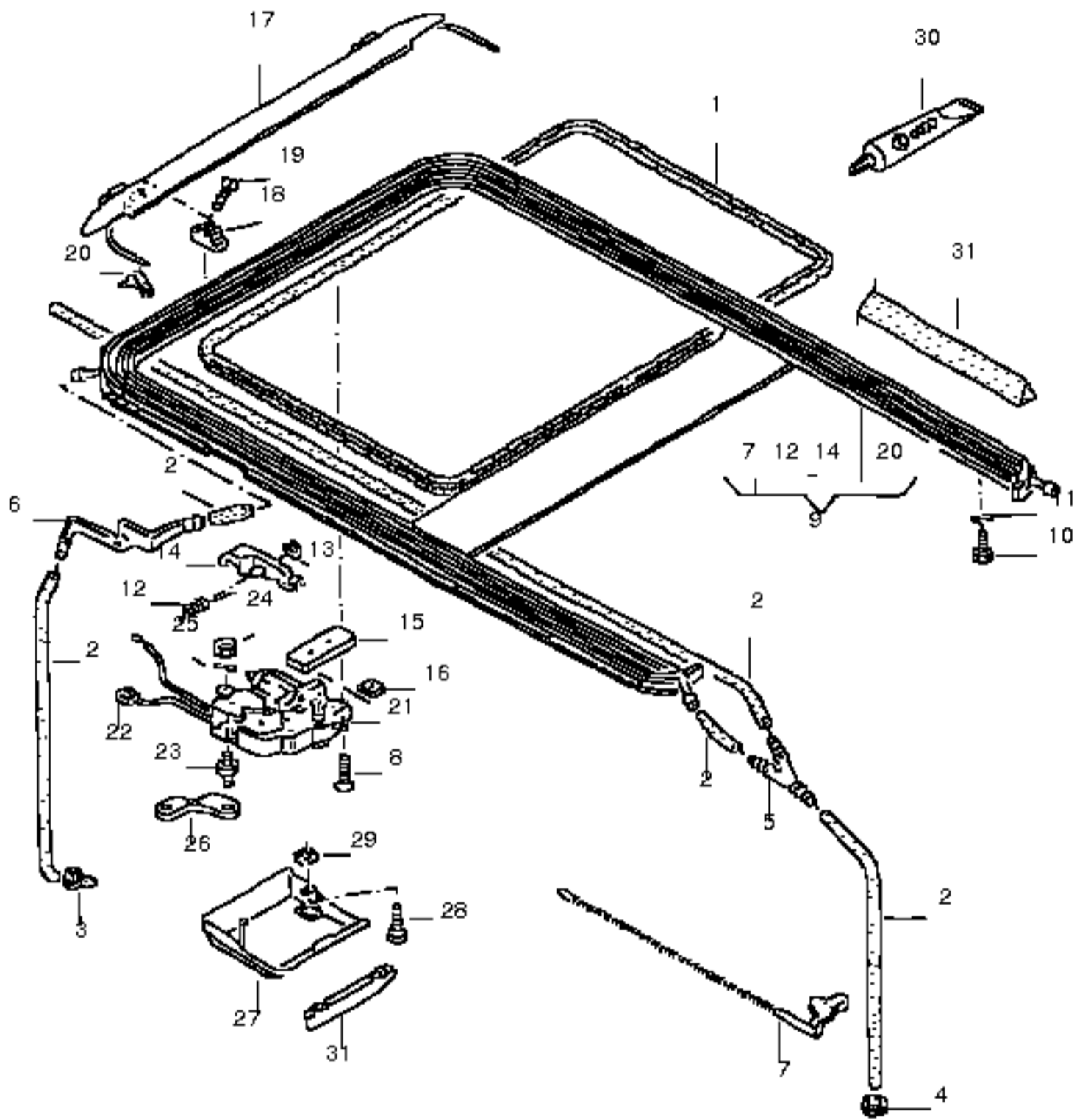
16 7D0877829
cover for electric drive
7D0877829 Y20 pearl grey
7D0877829 8YS light beige

17 703877227B
beading
703877227B S07 sahara
703877227B 23Y light beige
703877227B X59 pearl grey

18 701959731B
sliding roof motor
F >> 70-Y-140 000*

18 701959731C
sliding roof motor
F 70-Y-140 000>>>*

19 N 0441314
fillister hd. bolt / M5X25



glass sliding roof parts / rear

1 703877227A
beading for roof frame / 3110MM
703877227A S07 sahara
703877227A 23Y light beige
703877227A X59 pearl grey

2 333877233A
water drain hose / 2410MM

3 N 90430401
locking cover / 30

4 411941189
grommet / 20/4

5 481955975
y-piece
for vehicles with glass tilting roof panel

6 703877237
adapter / left

(6) 703877238
adapter / right

(7) 703877317
driver / left

(7) 703877318
driver / right

- 7H0898014
guide with cable / left a. right
for models with glass sliding sunroof
comprising:

8 N 10045703
countersunk bolt / M5X25

9 7D1877431
frame with operating mechanism

10 N 90529301
hexagonal head bolt / M6X10

11 N 0122265
spring washer / B6X12X0,5

(12) 703877383
spring / left

(12) 703877384
spring / right

13 N 0124321
lock washer / 2,3

(14) 357877385
locking segment / left

(14) 357877386
locking segment / right

15 357877442A
covering

16 357877439
spring plate

17 703877651
wind deflector

- 1H0877647
glide piece
wind deflector

18 357877657
bearing

19 N 0142571
oval head countersunk bolt / AM4X8

20 357877658A
clip

21 701959731
sliding roof motor
F >> 70-3-150 001*

21 701959731A
sliding roof motor
F 70-3-150 001>>*

22 161971975
flat connector housing / 3 pin

23 703877799
bonded rubber mounting

24 N 01100624
hexagonal nut / M6

25 311837943
concave spring washer / 6,4X18

26 703817443
retaining panel

27 703877847A
cover for electric drive
703877847A Y20 pearl grey

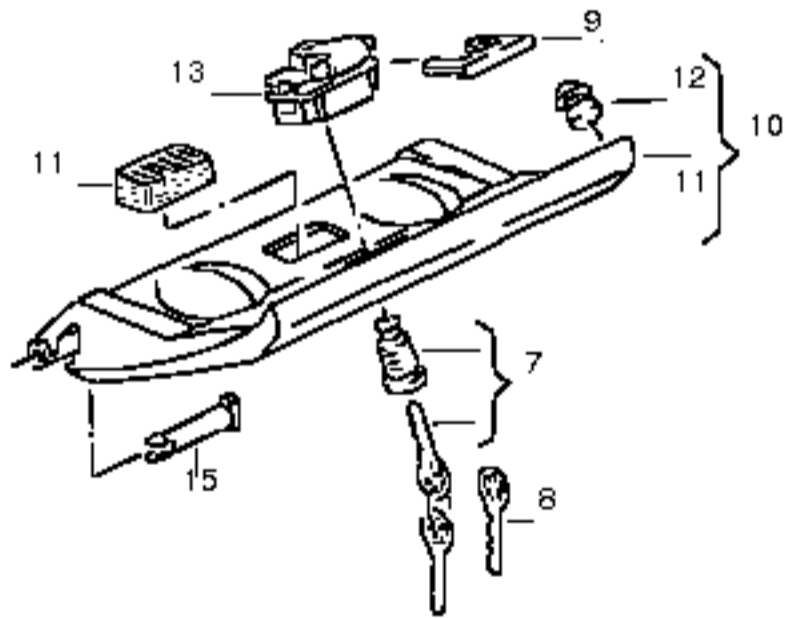
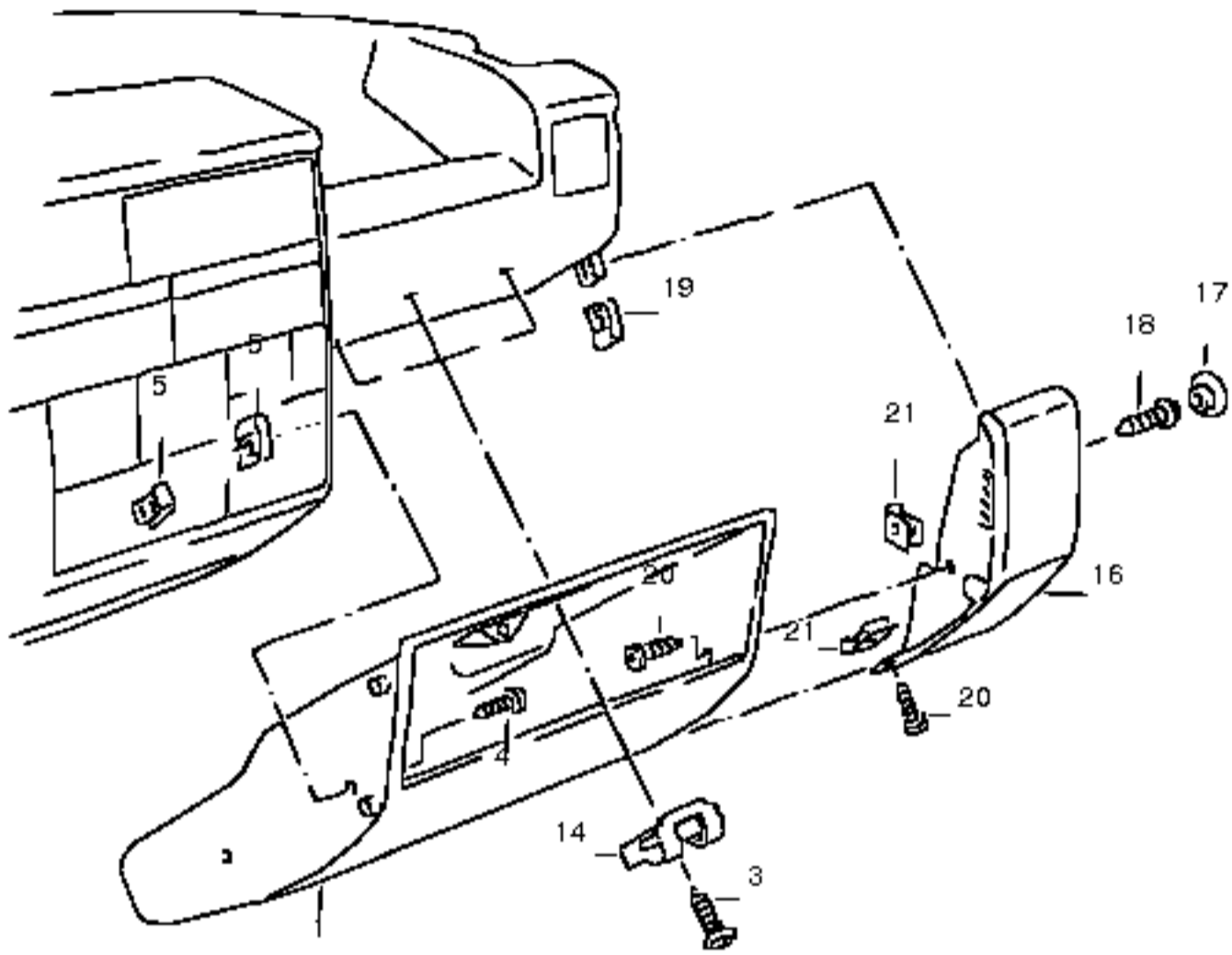
(27) 7D0877829
cover for electric drive
7D0877829 8YS light beige

28 N 90241203
fillister hd. bolt / M4X20

29 N 90282501
snap nut / 3,1X13X11,5

30 G 00045002
grease / 90G

31 703877601A
sealing strip



glove box

1 701857095

glove box
701857095 E91 mistral (grey)
701857095 J51 lagoon

3 N 90486501

fillister hd. bolt / M4X30

4 N 90241203

fillister hd. bolt / M4X20

(4) N 90448401

fillister hd. bolt / M4X15

5 N 90650101

snap nut / 3,1X16,5X11

7 443857113A

lock cylinder for glove box lid
see illustration: / 837-00

9 191857119

clips
191857119 01C satin black

10 701857123

dash panel box lid
701857123 E91 mistral (grey)
701857123 2HP lagoon

(10) 7D2858009A

dash panel box lid / rhd / "AUS"
7D2858009A E91 mistral (grey)

cup/drinks holder

see illustration: / 861-00

11 867857944

coin holder

12 N 0200321

plug / A6X0,8

13 701857131

catch
701857131 01C satin black

14 191857133

sealing bearing
191857133 01C satin black

15 701857169

pin - hinge
701857169 01C satin black

(16) 702857137

covering / rhd
702857137 E91 mistral (grey)
702857137 2HP lagoon

(16) 701857138

covering / lhd
701857138 E91 mistral (grey)

17 357857958A

cover cap
357857958A E91 mistral (grey)
357857958A J51 lagoon

18 N 90404701

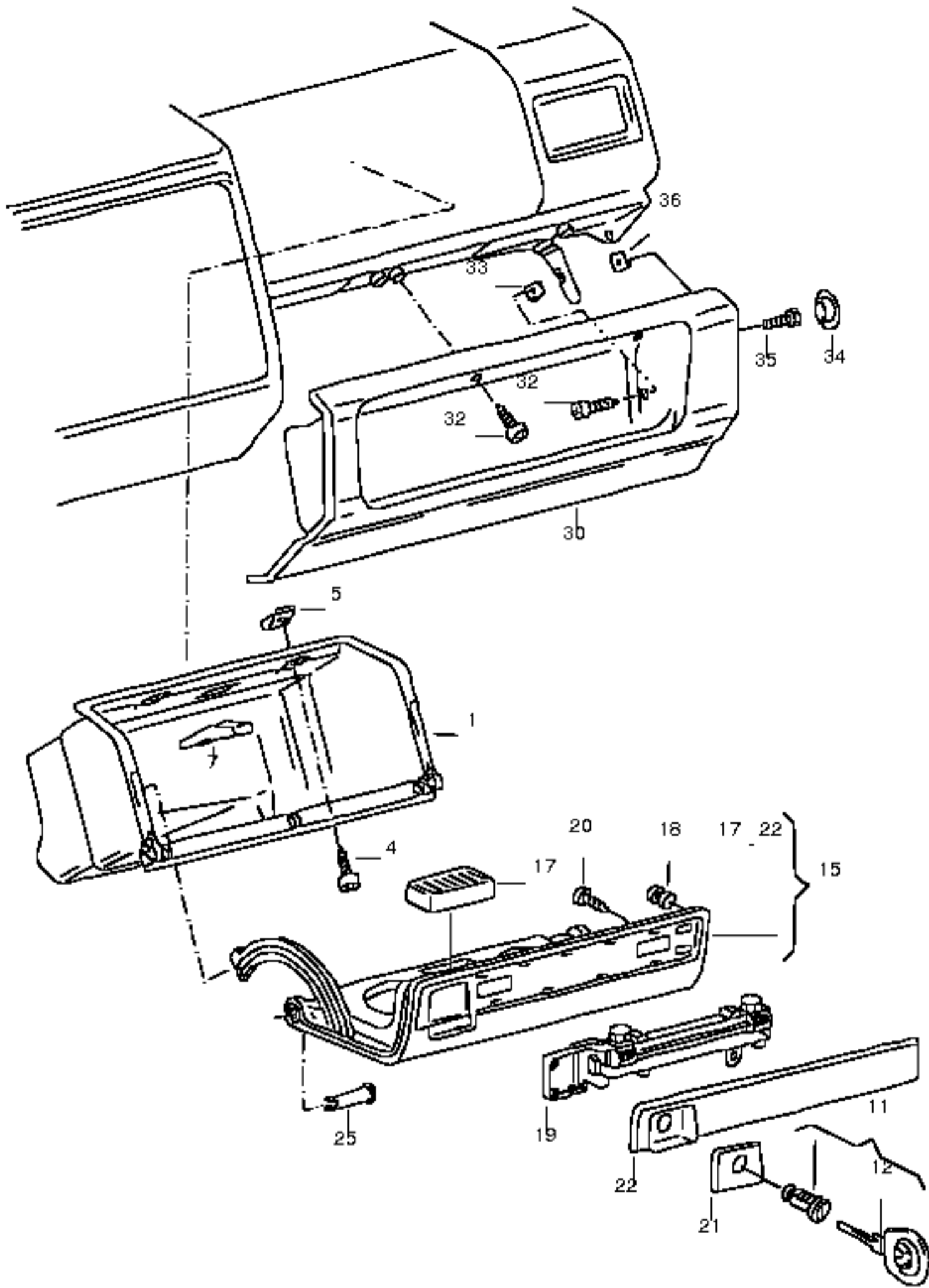
hexagon head bolt (combi) / M5X22

20 N 90241203

fillister hd. bolt / M4X20

21 N 90650101

snap nut / 3,1X16,5X11



glove box / lhd
for padded dashboard
shelf/stowage compartment

1 705857102
glove box
705857102 B41 satin black

4 N 90241203
fillister hd. bolt / M4X20

5 N 90282501
snap nut / 3,1X13X11,5

7 1H0857133
sealing bearing
1H0857133 01C satin black

11 1H0857113
lock cylinder
see illustration: / 837-00

15 705857120
dash panel box lid
705857120 8EL mistral (grey)
705857120 8HS lagoon

17 867857944
coin holder

18 N 0200321
plug / A6X0,8

19 357857131
catch

20 N 90130801
fillister hd. bolt / E4,2X16

21 705857149
operating mechanism
705857149 041 black

22 705857152
trim
705857152 041 black

25 191857169
pin - hinge

30 705857924
tray
705857924 2HP lagoon
705857924 6EK mistral (grey)

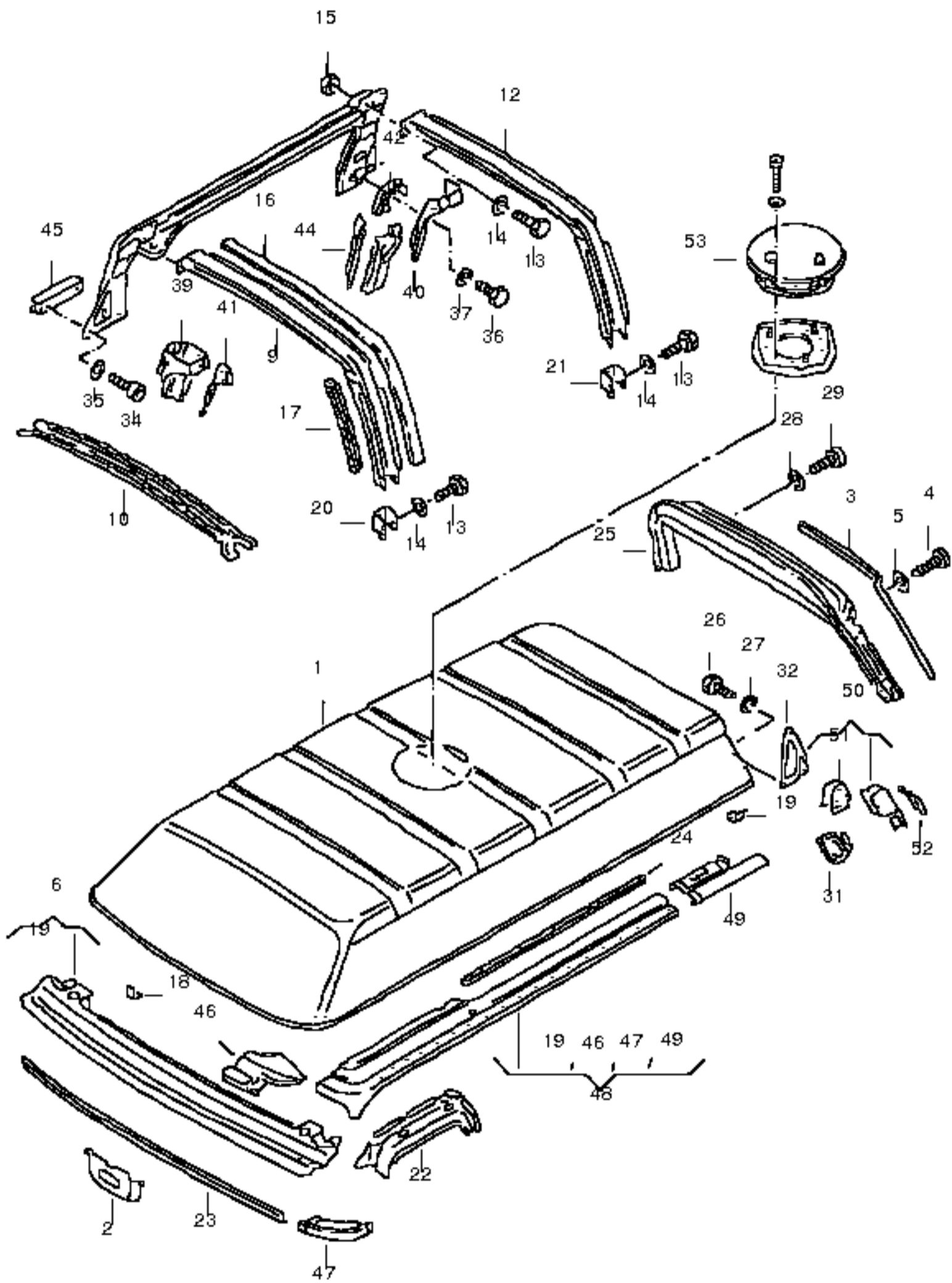
- 7D0858578
insert for stowage box / lhd
7D0858578 E91 mistral (grey)
7D0858578 J51 lagoon

32 N 90486501
fillister hd. bolt / M4X30

33 N 90282501
snap nut / 3,1X13X11,5

34 357857958A
cover cap
357857958A E91 mistral (grey)
357857958A J51 lagoon

35 N 90404701
hexagon head bolt (combi) / M5X22



high roof (plastic) / delivery van
for models with wheelbase: / 3320MM / kombi van

1 721817021B
high roof (plastic) with: roof bow
721817021B 902 greywhite
if necessary paint in color of vehicle

(1) 7D3817021G
high roof (plastic) for vehicles with navigation system
/ or for vehicles with telephone
7D3817021G 902 grey

(1) 721817021C
high roof (synth. material) with aperture for high sliding door, right
721817021C 902 greywhite
if necessary paint in color of vehicle

(1) 7D3817021H
high roof (synth. material) with aperture for high sliding door, right
for vehicles with navigation system
/ or for vehicles with telephone
7D3817021H 902 grey

(3) 721817173A
connecting strip / left
721817173A 902 greywhite
if necessary paint in color of vehicle

(3) 721817174A
connecting strip / right
721817174A 902 greywhite
if necessary paint in color of vehicle

- 721817419A
rain channel / centre/rear

4 N 0139649
oval head panel screw / ST4,2X16-C
also use: / D 176 101 A3

5 N 0115227
washer / A4,3X9X0,8

6 721817209
roof frame / front, upper outer panel

9 721817351A
roof bow for high roof (with high sliding door) / front

10 701817353
roof bow b-pillar
adapt with workshop equipment

12 721817355A
roof bow for high roof (with high sliding door) / rear

13 N 01023820
hexagonal head bolt / M8X15

14 N 01152520
washer / A8,4X16X1,6

15 N 01111816
hexagonal nut / BM8

16 245871217
gasket

17 171881199
protective cover / 410MM
shorten to: / 360MM

18 251817440
retaining bracket

19 721817440A
retaining bracket

20 721817378
mounting for roof bow / front for high roof with high sliding door, right

21 721817390
mounting for roof bow / rear for high roof with high sliding door, right

22 701817517A
roof frame / left front

(22) 701817518A
roof frame / right front

23 701817519A
roof frame / front, inner

- 7D1817329
cover panel / center for high roofed delivery van
for models with partition

24 721817601
beading / 2530MM
shorten if necessary

25 721817701A
roof frame / rear

- 867827500A
stop buffer / 30X22/12

26 N 01023820
hexagonal head bolt / M8X15

27 N 01152520
washer / A8,4X16X1,6

28 N 0138307
seal / A8X12

29 N 0147702
allen key head bolt / M8X15

31 721817715
edge plate / left

(31) 721817716
edge plate / right

32 721817723
gusset plate / left rear

(32) 721817724
gusset plate / right rear

33 721817728
roof frame reinforcement for high roof with high sliding door, right

34 N 0147702
allen key head bolt / M8X15

35 N 01152520
washer / A8,4X16X1,6

36 N 01023820
hexagonal head bolt / M8X15

37 N 01152520
washer / A8,4X16X1,6

(39) 721817741A
connecting part b-pillar for high roof with high sliding door, right

40 721817742
edge plate / side for roof frame / rear for high roof with high sliding door, right

41 721817744
edge plate / side for roof frame / front for high roof with high sliding door, right

42 721817747
intermediate piece for roof frame / rear for high roof with high sliding door, right

43 721817751
connecting part c-pillar for high roof with high sliding door, right

44 721817756
edge plate for roof frame / side for high roof with high sliding door, right

45 721817761
retaining bracket b-pillar

46 721817221
insert plate / left

(46) 721817222
insert plate / right

47 721817929
rain channel / left

(47) 721817930
rain channel / right

(48) 721817909
roof frame / left outer panel
for models without sliding door
adapt with workshop equipment

48 721817909A
roof frame / left outer panel (sliding door, left)
adapt with workshop equipment

(48) 721817910C
roof frame / right outer panel for models without sliding door

(48) 721817910D
roof frame / right outer panel (sliding door, right)

(48) 721817910E
roof frame / right outer panel or high sliding door

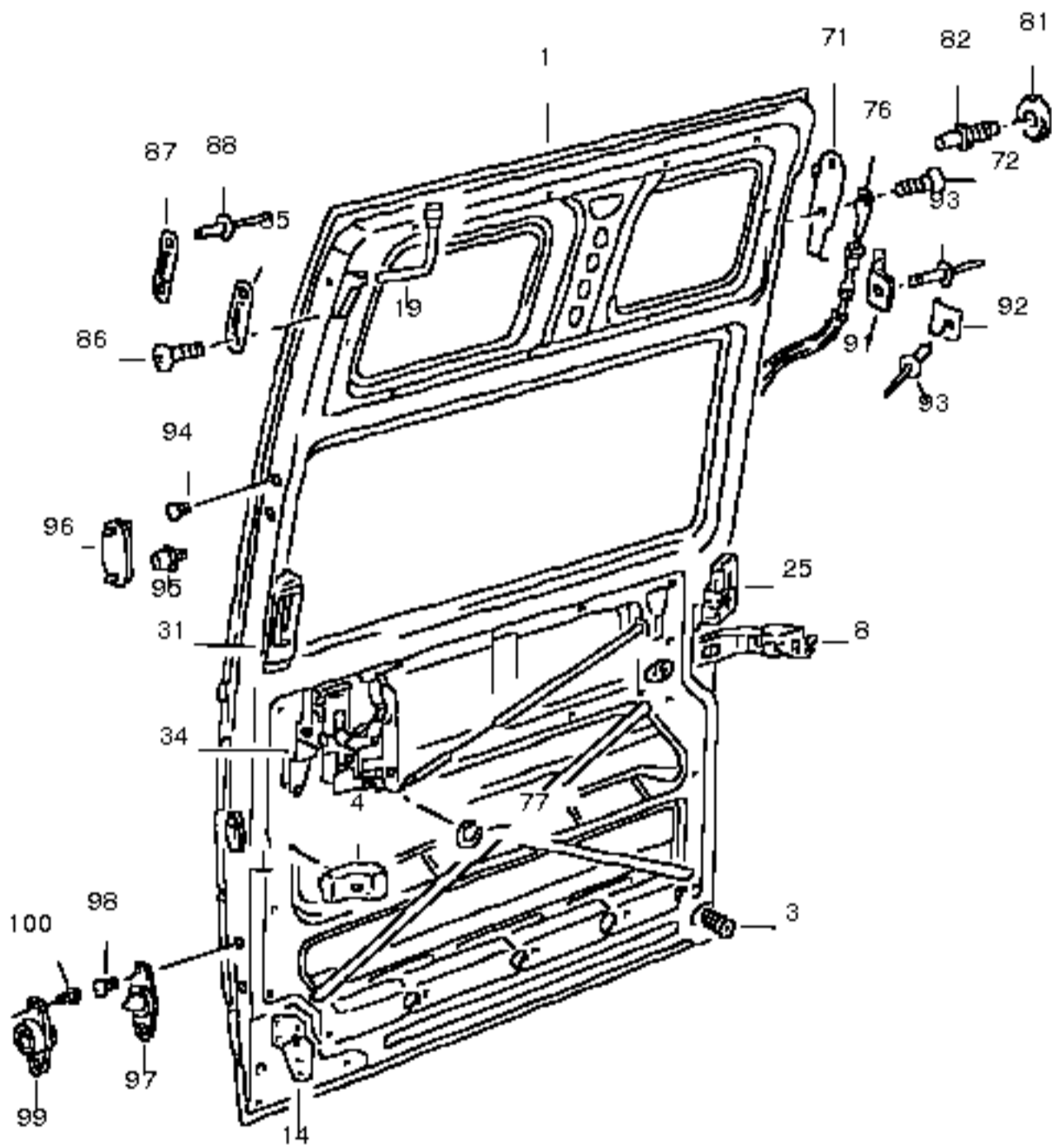
(50) 7D3810383
connecting part / left

(50) 7D3810384
connecting part / right connecting part / left d-pillar
discontinued / replacement: / 7D3 810 383

connecting part / right d-pillar
discontinued / replacement: / 7D3 810 384

52 721810479
insert piece / left d-pillar

(52) 721810480
insert piece / right d-pillar roof ventilator with motor
see illustration: / 817-40



high sliding door, central and additional lock

(1) 7D3843106F

high sliding door without window opening / right
adapt with workshop equipment

(1) 7D3843106D

high sliding door with window opening / right
adapt with workshop equipment
see illustration: / 843-00

71 721843502

additional lock

72 N 01414112

fillister hd. bolt / M6X18

76 721843508

bowden cable

77 N 0123262

lock washer / 5

81 823837057A

concave spring washer / 12,1X32X2

82 721843512

lock pin

85 721843452

guide piece

721843452 01C satin black

86 N 90322901

oval head countersunk bolt / M8X18

87 721843456

guide bearing

88 N 90478601

pop-rivet / A4,8X11

91 721843427

protective cover

for high sliding door

92 721843433

protective cover

for side panel

93 N 90478601

pop-rivet / A4,8X11

97 701843841

detent peg

98 N 10084701

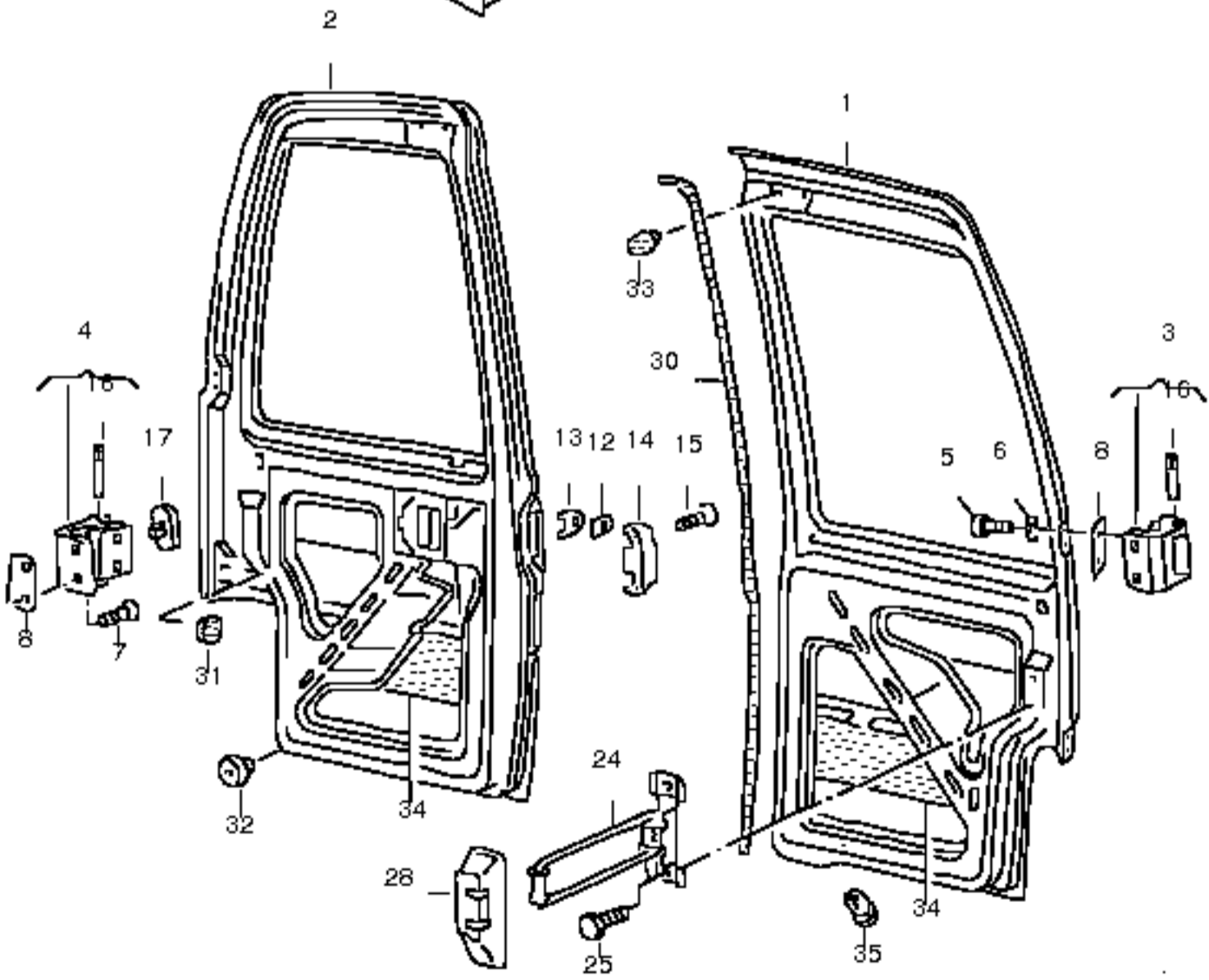
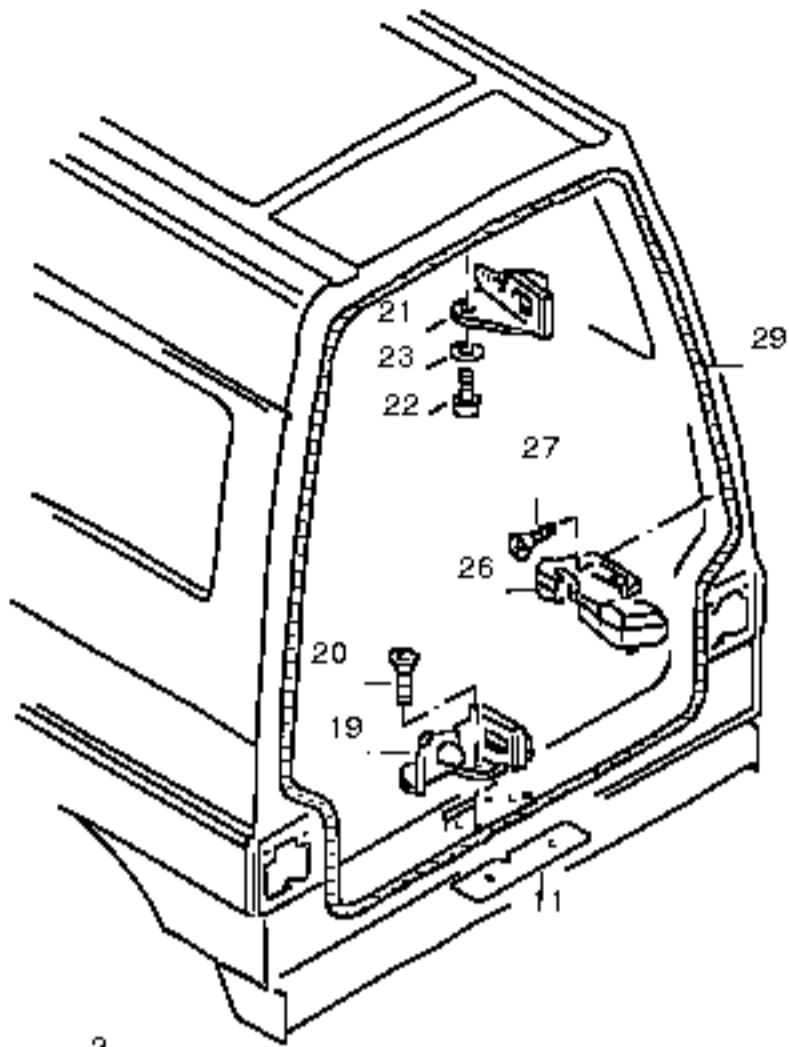
countersunk bolt / M8X18

99 701843637

catch plate

100 N 10084701

countersunk bolt / M8X18



high wing doors
door hinge

1 721827103
high wing door with window opening / left

(1) 721827103A
high wing door without window opening / left

2 721827104E
high wing door with window opening / right

(2) 721827104F
high wing door without window opening / right

3 701827151A
door hinge / left upper

(3) 701827153A
door hinge / left lower

- 7D1827267C
threaded plate
F 70-1-036 000>>*

(4) 701827152A
door hinge / right upper

4 701827154A
door hinge / right lower

5 N 0147702
allen key head bolt / M8X15

6 N 90033302
washer / B8,4X20X2,5

7 N 0214111
oval head countersunk bolt / M8X24
shorten to: / 20MM
gasket / upper/lower

hinge
make up from: / 701 827 157 D

- 701827157D
gasket / 210X149MM

11 701827263
reinforcement for apron / center

12 281827285
staple for padlock
rework if necessary

13 701827286
staple for padlock

14 281843821A
covering

15 N 0140942
oval hd. csk. self-tapp. screw / ST4,2X16-C

16 701827309
pin - hinge

17 701827489
stop buffer
701827489 01C satin black

19 701827512
striker plate / lower

20 N 0214011
oval head countersunk bolt / M8X18

(21) 701827537F
striker plate / upper

22 N 0147392
allen key head bolt / M8X16

23 N 90033302
washer / B8,4X20X2,5

24 701827541A
check rod - door

(24) 701827541B
check rod - door / PR-5V4
for wing doors with opening angle: / 265 degree

25 N 0102935
hexagonal head bolt / M8X16

26 701827545
stop mounting

27 N 0141405
fillister hd. bolt / M6X15

- 721827559
spacer (self-adhesive) / 50X40X40MM

28 701827645
cover cap / left
701827645 01C satin black

(28) 701827646
cover cap / right
701827646 01C satin black

29 721827705B
gasket

30 721827709
gasket / center

31 211611849
plug / 22MM

32 N 0200223
plug / A8X1

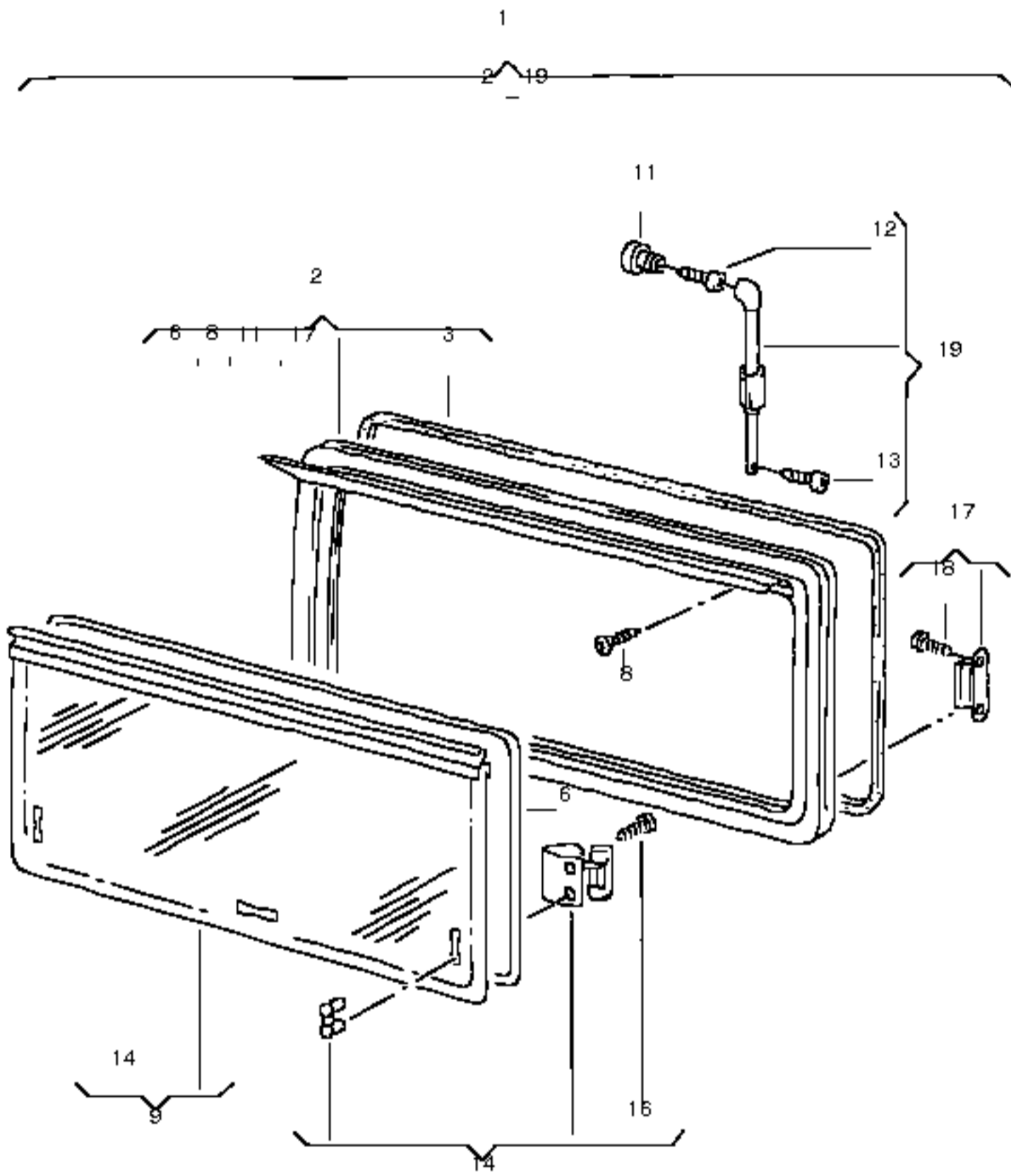
33 701827499B
stop buffer / 45X40MM

(33) 701843316
stop buffer / 16X21

- 867827500A
stop buffer / 30X22/12
for roof frame / rear

34 323863950
sound absorber (self-adhesive) 'order unit 6' / 550X250X2

35 357868143
insert nut / 8MM
wing door lock
see illustration: / 827-65



hinged window

(1) 703847099G

hinged window (insul. glass) / left front
for passenger compartement / green
/ ACRYL
also use: / DH 009 100

(1) 7D1847099

hinged window / left front
for passenger compartement / ACRYL
for vehicles with laminated insulated glass / green/black
also use: / DH 009 100

2 703847153

window frame

3 703847759B

rubber seal

6 703847179

gasket
window frame

8 N 0139881

countersunk panel screw / ST3,5X16-C

9 703847165C

washer / green
/ ACRYL

(9) 7D1847165

washer / ACRYL
for vehicles with laminated insulated glass / green/black

11 703847170A

mounting

12 N 0139502

oval head panel screw / B3,5X19

13 N 0139502

oval head panel screw / B3,5X19

14 703847159A

locking retainer

16 N 90157501

panel screw / B4,2X25

17 703847169A

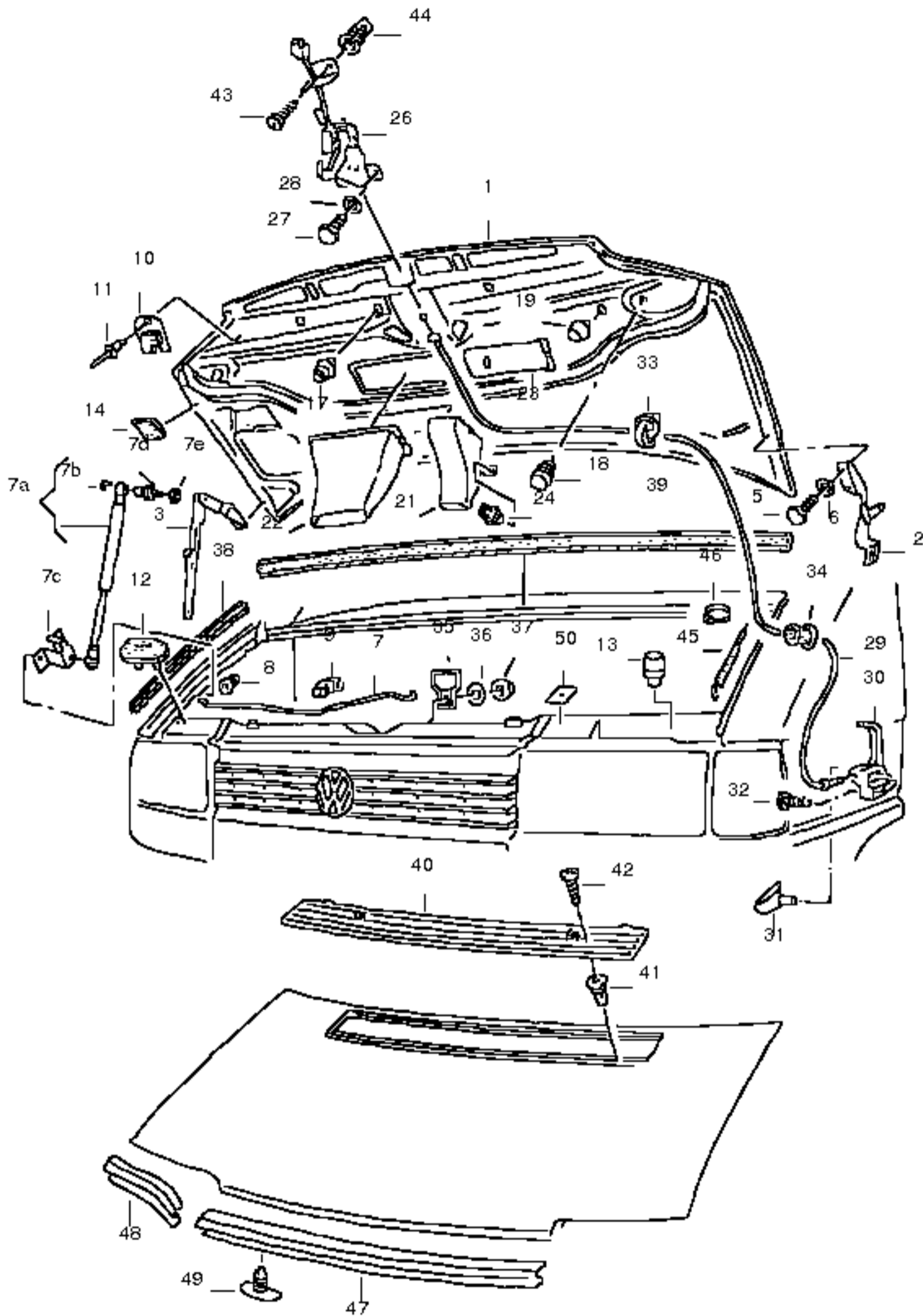
hook

(18) N 90347402

oval head panel screw / E4X12-K

19 703847167A

hinged fastener



bonnet

1 701823033J
bonnet / PR-AC0
use if required: / 701 819 164 A

(1) 7D1823033A
bonnet / PR-AC1
use if required: / 701 819 164 A

(2) 7D0805383A
bonnet hinge / left

(3) 7D0805384A
bonnet hinge / right

- 1H5827681B
limit stop

5 N 01021226
hexagonal head bolt / M6X12

6 N 0115476
washer / A6,5X14X1,6

7 701823361
bonnet stay / PR-AC0

(7) 7D0823361A
bonnet stay / PR-AC1

7A 7D0823359A
gas-filled strut / lhd / VR6:150KW, / TDI:110KW

7B 443823397
clips

7C 7D0823183
mounting for gas-filled strut / lower lhd / VR6:150KW, / TDI:111KW

7D N 90966201
ball pin / C10X13 / VR6:150KW, / lhd / TDI:111KW

7E N 01100830
hexagonal nut / M8 / VR6:150KW, / lhd / TDI:111KW

(8) 171823481A
rubber ring / PR-AC1

bonnet stay

8 171823395
rubber mounting / 16/6,2

9 357823397
clip

(9) 7D0823397
clip / yellow

10 7M0823573A
retainer / yellow / PR-AC1
protective edging / 15MM
make up from: / 251 853 707 D
/ (1BG)

11 N 90273201
pop-rievet / A3,2X10 / PR-AC1

13 357827500
stop buffer / PR-AC1

lock carrier
gasket
make up from: / 701 819 069

- 7D0819069
gasket / 810X25X6

(18) 7D0823427
stop buffer / 13,5X35 / PR-AC1

18 867827500A
stop buffer / 30X22/12 / PR-AC0

19 701843316
stop buffer / 16X21 / PR-AC0

21 701823495A
air duct / PR-AC1
701823495A 01C satin black

(22) 701823495
air duct / 237X98MM / PR-AC0
701823495 01C satin black

22 701823495B
air duct / 297X98MM / TDI:PR-AC0
701823495B 01C satin black

(22) 701145843
air guide / TDI:PR-AC1

(22) 701145843A
air guide / 271X82MM / TDI:PR-AC0

(23) 701823496A
covering / TDI:PR-AC1
air duct
701823496A 01C satin black

23 701823496B
covering / 287X98MM / diesel eng.
air duct
701823496B 01C satin black

(23) 701819164A
covering / 142,9X128,4MM
/ left lhd
/ right rhd
see illustration: / 819-20 POS.13

24 701863841
clip / TDI

26 7D0823509B
flap - lock / PR-AC0

(26) 7D0823509A
flap - lock / PR-AC1

27 N 10156305
hexagon head bolt c/w shoulder / M6X12

29 7D2823531
bonnet lock cable

30 192823533
handle for bonnet lock cable

31 701823547A
holder for bowden cable
701823547A 01C satin black

32 N 0139729
oval head panel screw / ST4,8X25-C

33 701823567
clips

34 357823591
grommet

35 701806451A
arm / PR-AC0
arrester hook

(35) 7D0806451A
arm / PR-AC1
arrester hook

36 N 01152423
washer / A6,4X12,5X1,6

37 N 01118312
hexagon nut, self-locking / M6
gasket for flap
make up from: / 701 823 737
shorten to: / 400MM

39 701823737
gasket for separator plate / 1470MM
rework if necessary

(40) 7D0819044
air intake grille / PR-AC1
7D0819044 GRU primed
if necessary paint

(40) 701819044
air intake grille / black / PR-AC1
701819044 01C satin black

40 701819103
air intake grille / PR-AC0
701819103 01C satin black

41 251853684A
expanding nut / PR-AC0

42 N 0139594
oval head panel screw / 3,5X16 / PR-AC0
protective edging
discontinued / replacement: / N 020 902 2
/ N 907 735 01

(45) N 90773501
corrugated pipe in coils of 5m 'order unit 5' / 10
also use: / N 020 902 2

46 N 0209022
cable tie / 6X246

47 7D0823737
gasket for flap / 966MM / PR-AC1
/ front center

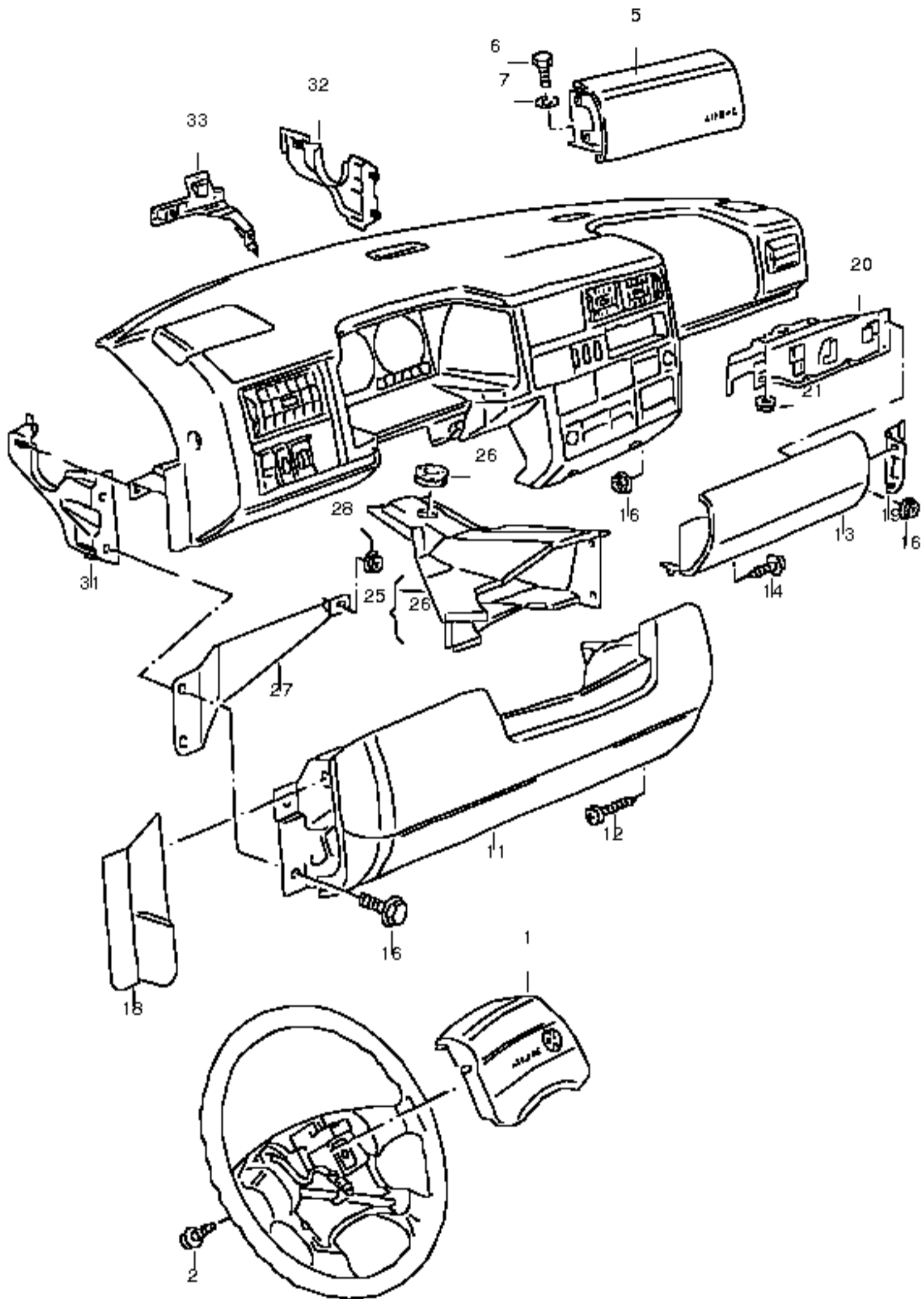
48 7D0823737A
gasket for flap / 185MM / PR-AC1
/ right front

49 251823717
clip / PR-AC1
protective foil / 58X40MM
make up from: / AKL 448 300 04

- AKL44830004
protective foil / 290X210MM
adapt with workshop equipment

- 251853707D
protective edging / 3348MM
bonnet stay
adapt with workshop equipment / 2X15MM
251853707D 1BG graphite

sealing piece
battery cover
see illustration: / 915-10



knee bar
 airbag
 knee bar
 airbag
 ** caution! dangerous cargo **
 see workshop manual
 retrofit kit to immobilize the passenger side airbag
 observe technical service handbook:
 / 4.1-068-1

1 7D0880203C
 airbag unit for steering wheel
 ** only order for ** ** immediate installation **
 7D0880203C 01C satin black

(1) 3B0880201BM
 airbag unit for steering wheel
 ** only order for ** ** immediate installation **
 3B0880201BM4EC black

2 N 90614801
 hexagon socket head bolt with collar / M6X21,5

(5) 7D1880200B
 airbag unit / right / PR-4N1
 (passenger side)
 ** only order for ** ** immediate installation **
 7D1880200B 8EL mistral (grey)
 7D1880200B 8HS lagoon

(5) 7D1880214A
 cover for airbag / lhd / PR-4N2
 7D1880214A 6EK mistral (grey)

(5) 7D2880214
 cover for airbag / rhd / PR-4N2
 7D2880214 6EK mistral (grey)
 7D2880214 2HP lagoon

(5) 7D0880202A
 airbag unit / (one person) / PR-4N2
 (passenger side)

(5) 7D1880202B
 airbag unit / lhd / PR-4N2
 (passenger side) / 2 seater

(5) 7D2880202A
 airbag unit / rhd / PR-4N2
 (passenger side) / 2 seater

- 7D0880271
 retaining bracket / left

- 7D0880272
 retaining bracket / right

- N 90598804
 torx socket fillister hd. bolt / M6X12-H

6 N 01021226
 hexagonal head bolt / M6X12

7 N 01166615
 washer / 6,4X18X1,6

27 7D1880924
 brace / lhd

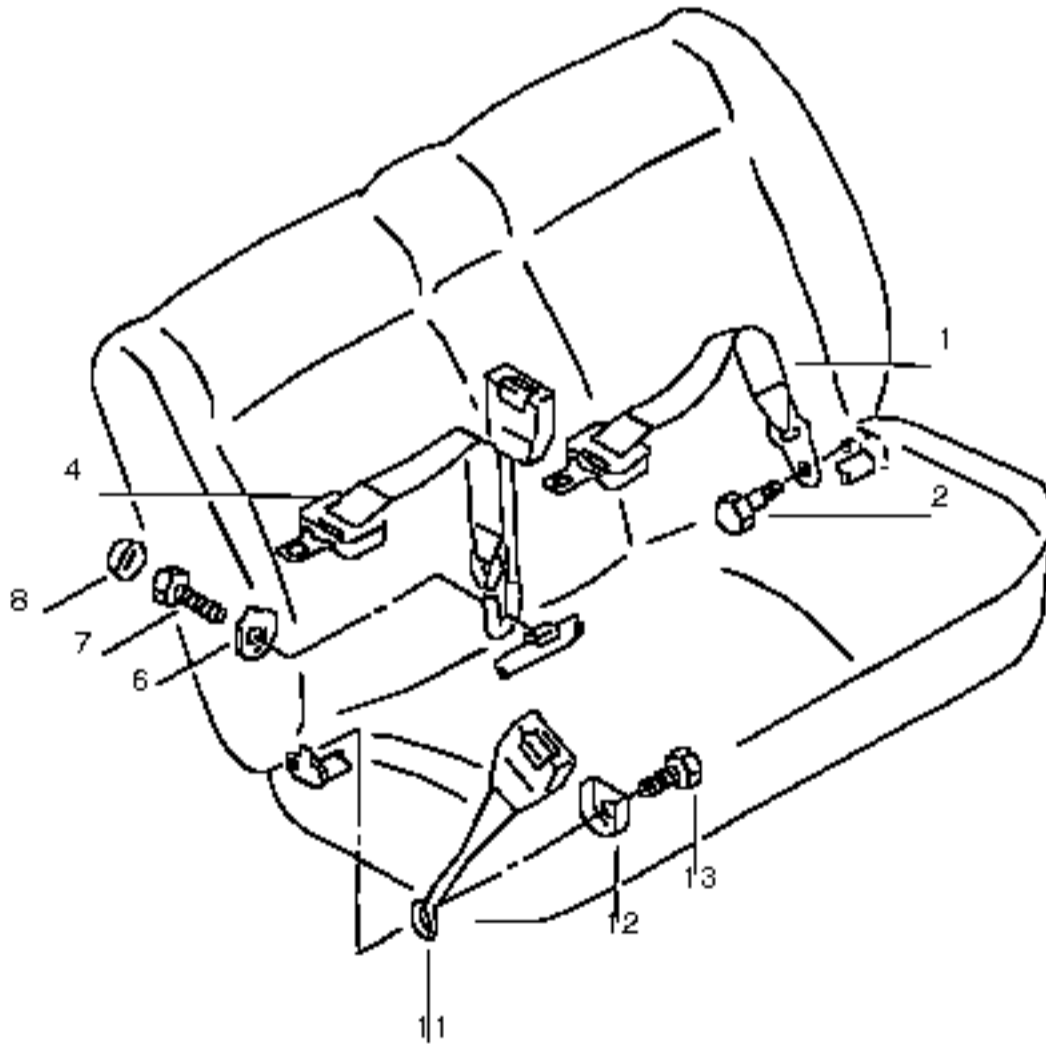
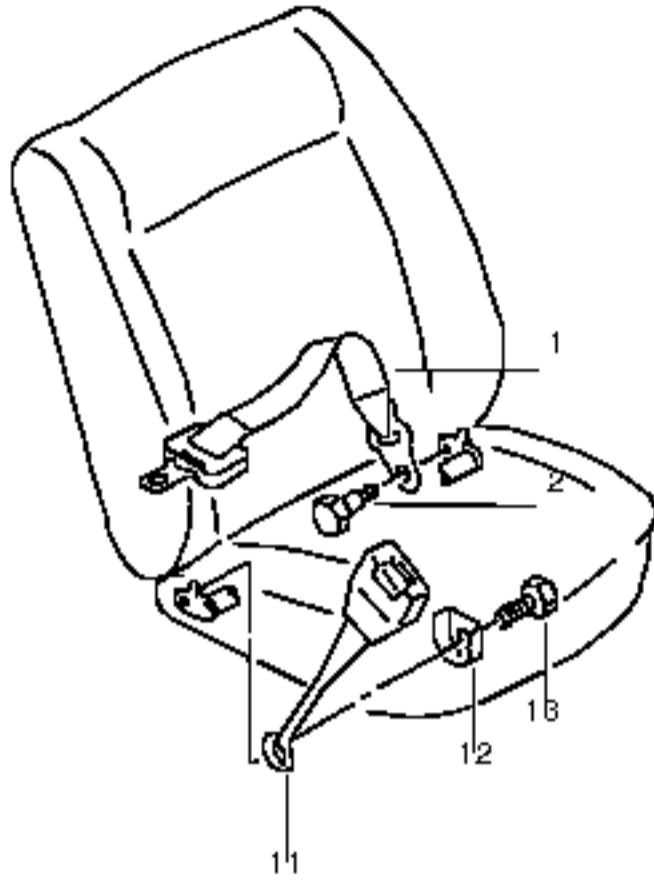
(27) 702880935
 brace / rhd

31 7D1880963
 bearing bracket / left

32 7D1880964
 bearing bracket / right

33 701880975
 bearing bracket / center lhd
 holder for electr. contr. unit
 airbag

(33) 702880975
 bearing bracket / center rhd
 holder for electr. contr. unit
 airbag



lap belt
 for passenger compartement
 for vehicle with individual seats
 bench seat
 2 seater
 not for: folding seat in passeng. comp.
 seat bench installation facing opposite to travel direction

703857813K 01C satin black

- 703857813F

lap belt with inertia reel / right
 seat bench installation facing opposite to travel direction
 703857813F 01C satin black
 703857813F E66 flannel grey

- 703857837A

belt guide
 only for: / 703 857 813 J

- 703857813J

lap belt with inertia reel and press button buckle / center
 seat bench installation facing opposite to travel direction
 703857813J 01C satin black

- 703857743

flexible lock / left
 seat bench installation facing opposite to travel direction
 703857743 01C satin black
 three-point seat belt
 for folding seat
 see illustration: / 857-74

1 703857710

lap belt
 703857710 01C satin black
 703857710 Q44 ecrue (beige)
 703857710 E66 flannel grey

2 111857799

hexagonal head bolt / 7/16"X25

4 703857821

lap belt with press button buckle

(sliding door, right)

703857821 E66 flannel grey
 703857821 01C satin black
 703857821 Q44 ecrue (beige)

(4) 703857813J

lap belt with inertia reel and press button buckle
 (sliding door, right)
 703857813J 01C satin black
 703857813J E66 flannel grey

(4) 703857822A

lap belt with press button buckle
 (sliding door, left)
 703857822A 01C satin black
 703857822A E66 flannel grey

6 165857900

cover cap

7 803019837

hexagonal head bolt / 7/16"X35

(8) 281857797

cover cap
 281857797 01C satin black
 281857797 Q70 light beige

11 703857743

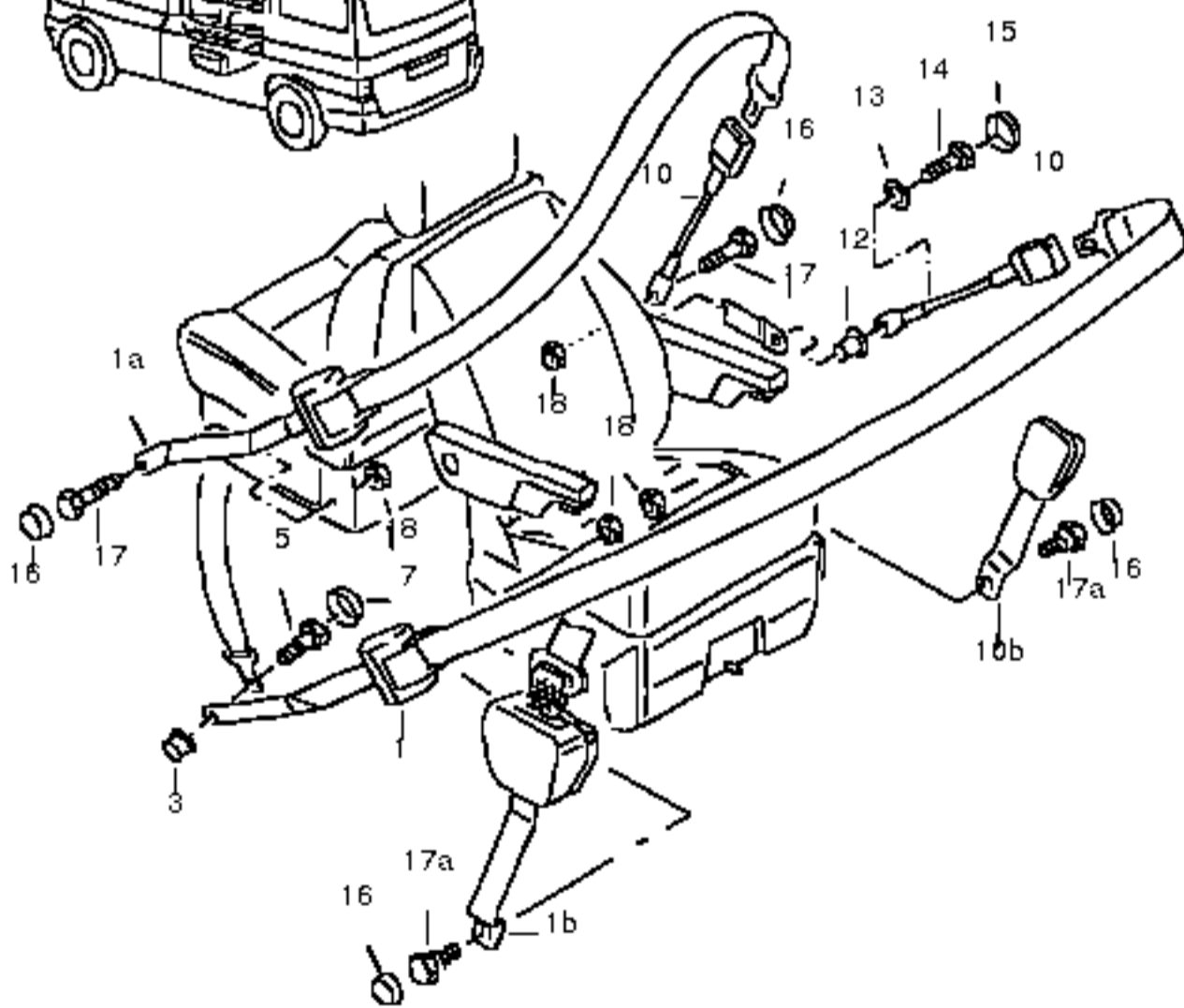
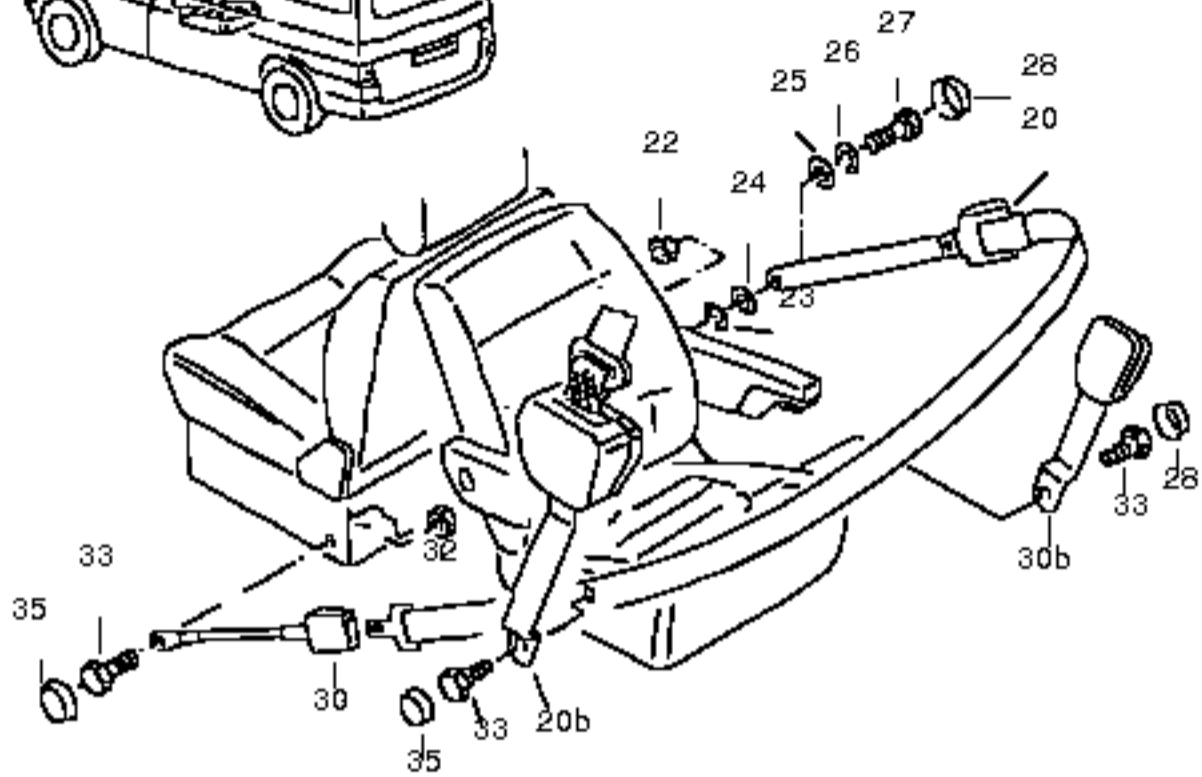
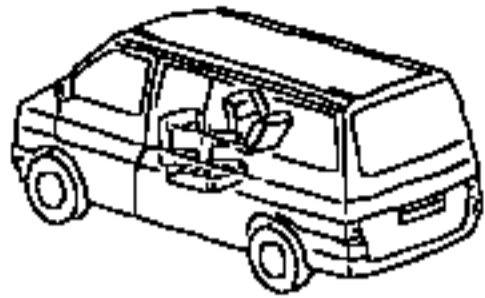
flexible lock
 703857743 01C satin black

12 165857900

cover cap

13 111857799

hexagonal head bolt / 7/16"X25



lap belts in passenger compartment
for single seat with storage box
cool box

1B 703857813N
lap belt with inertia reel
703857813N E66 flannel grey
703857813N 01C satin black

10B 703857743C
press button buckle
703857743C 01C satin black

15 281857797
cover cap
281857797 01C satin black

16 281857797
cover cap
281857797 01C satin black

17A 3B0857799
hexagonal head bolt / 7/16"-20UNFX20
shorten to: / 16MM

18 803019862
hexagonal nut

lap belts in passenger compartment
for folding seat

20B 703857813M
lap belt with inertia reel
703857813M E66 flannel grey
703857813M Q44 ecrue (beige)
703857813M 01C satin black

28 281857797
cover cap
281857797 01C satin black

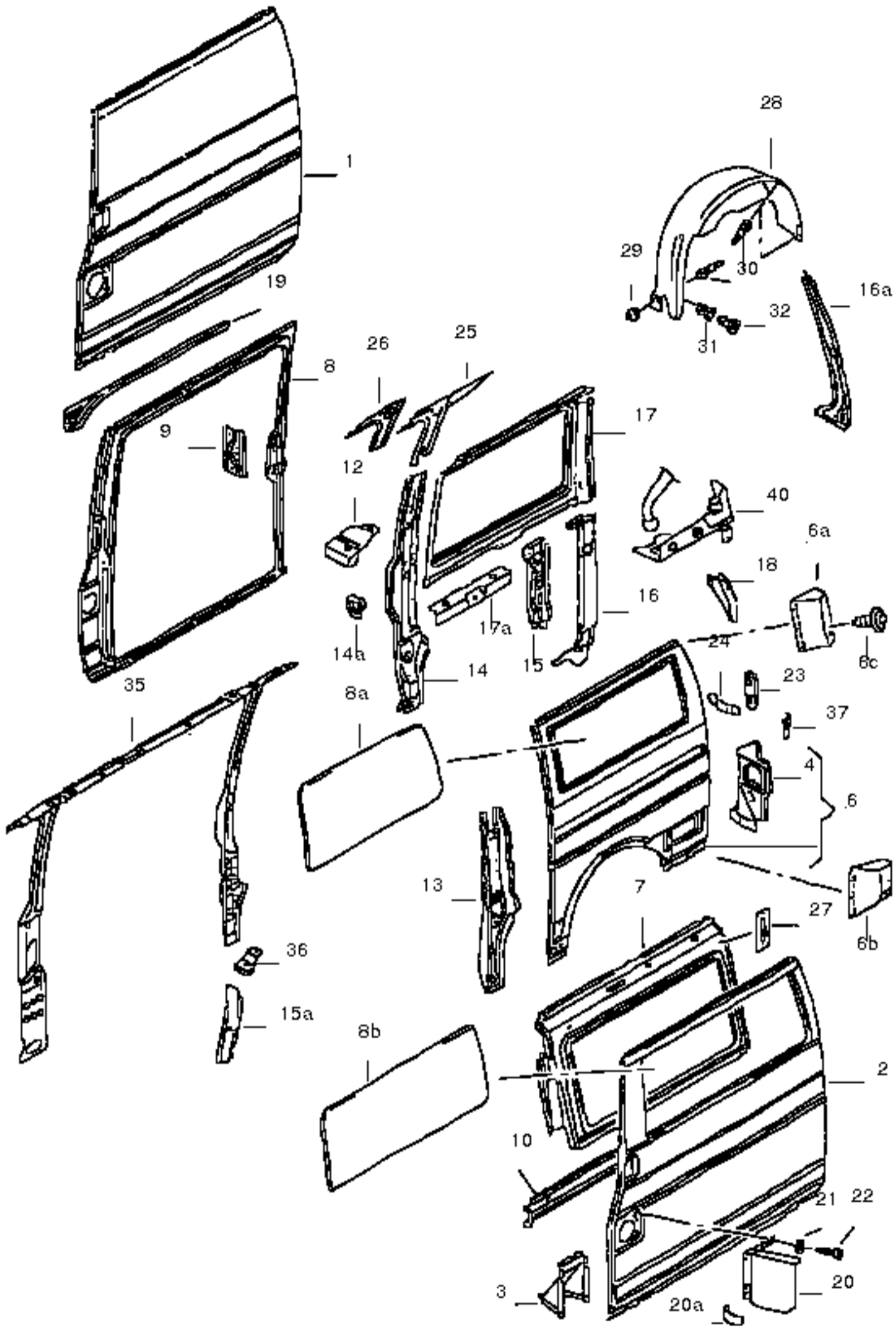
30B 7D0857753
press button buckle / left/right
7D0857753 U71 flannel grey

30B 7D0857753
press button buckle / left/right / MULTIVAN 2
/ PR-4C0/4C2
7D0857753 U71 flannel grey

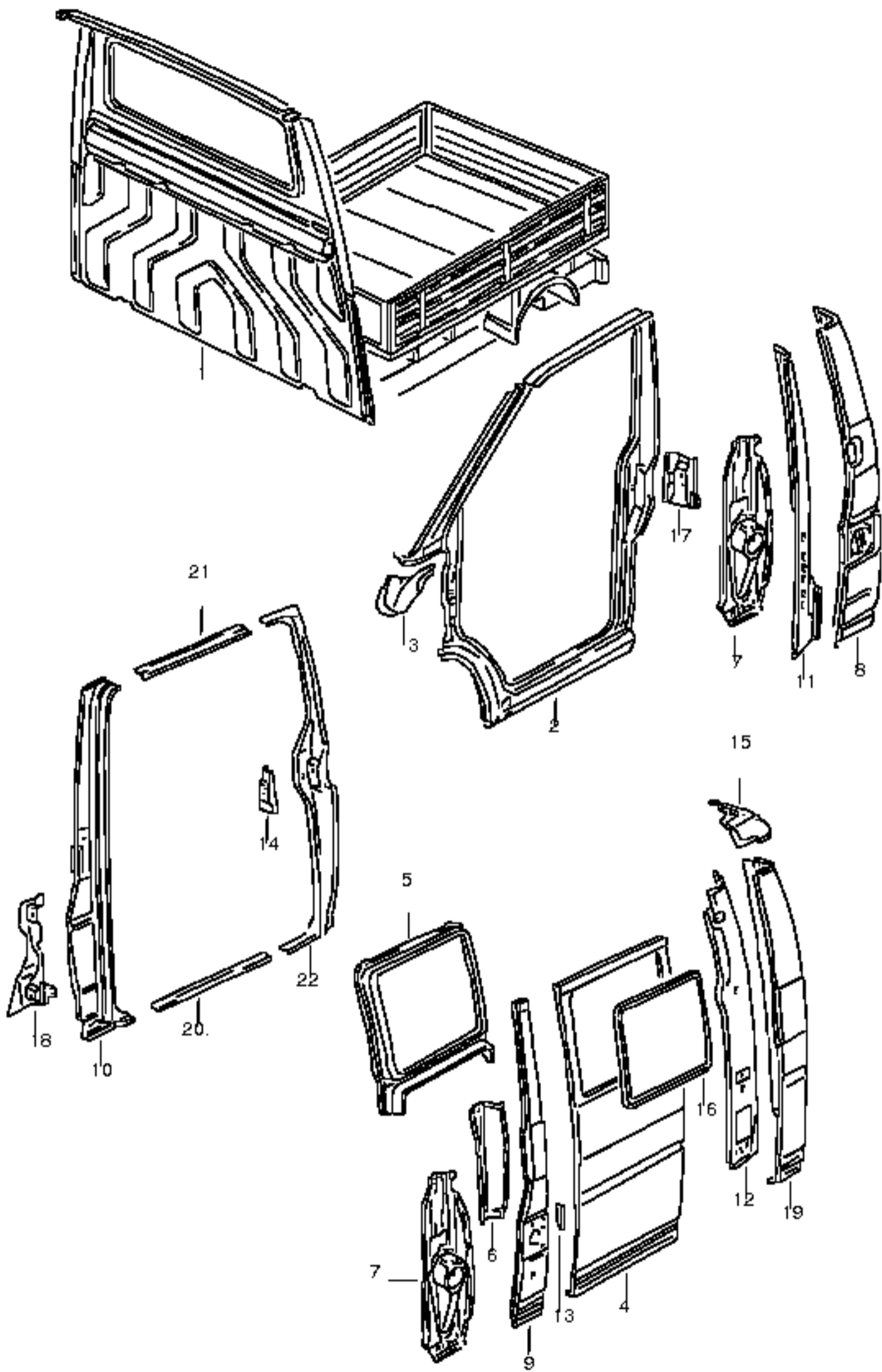
33 3B0857799
hexagonal head bolt / 7/16"-20UNFX20

35 281857797
cover cap
281857797 01C satin black
three-point automatic seat belt with belt tensioner / MULTIVAN 2
for models with swivel seat

- 7D0857811C
three-point automatic seat belt with belt tensioner
7D0857811C E66 flannel grey



- outer and inner panel, pillars b and c
- d-pillar
- mounting for trailer coupling ball
- 1 7D1809159
outer panel for side panel / left front / delivery van
- (1) 7D1809160
outer panel for side panel / right front / delivery van
- 2 7D1809159A
outer panel for side panel / left front / kombi van
for vehicles with window opening
- (2) 7D1809160A
outer panel for side panel / right front / kombi van
for vehicles with window opening
- 3 701804781A
covering for: fuel filler pipe
- 4 701809161
insert plate / left rear mounting for tail light
- (4) 701809162
insert plate / right rear mounting for tail light
- 6 7D1809171D
outer panel for side panel / left rear / delivery van
for models with wheelbase: / 2920MM
F >> 70-1-083 197
- (6) 7D1809171
outer panel for side panel / left rear / delivery van
for models with wheelbase: / 2920MM
F 70-1-083 198>>
- (6) 7D1809171F
outer panel for side panel / left rear / delivery van
for vehicles with sliding door cut-out
for models with wheelbase: / 2920MM
F >> 70-1-083 197
- (6) 7D1809171A
outer panel for side panel / left rear / delivery van
for vehicles with sliding door cut-out
for models with wheelbase: / 2920MM
F 70-1-083 198>>
- (6) 7D1809171G
outer panel for side panel / left rear / kombi van
for vehicles with window opening / bus
for models with wheelbase: / 2920MM
F >> 70-1-083 197
- (6) 7D1809171B
outer panel for side panel / left rear / kombi van
for vehicles with window opening / bus
for models with wheelbase: / 2920MM
F 70-1-083 198>>
- (6) 7D1809171T
outer panel for side panel / left rear / diesel eng.:
for vehicles with window opening / 111KW, / otto engine:
for models with tyre size: / 16" / 150KW
for models with wheelbase: / 2920MM
- (6) 7D1809171S
outer panel for side panel / left rear / diesel eng.:
for models with sliding door and window opening / 111KW, / otto engine:
for models with wheelbase: / 2920MM / 150KW
for models with tyre size: / 16"
- (6) 7D1809171E
outer panel for side panel / left rear / kombi van
for models with sliding door and window opening / bus
for models with wheelbase: / 2920MM
F >> 70-1-083 197
- (6) 7D1809171C
outer panel for side panel / left rear / kombi van
for models with sliding door and window opening / bus
for models with wheelbase: / 2920MM
F 70-1-083 198>>
- (6) 7D3809171D
outer panel for side panel / left rear / delivery van
for models with wheelbase: / 3320MM
F >> 70-1-083 197
- (6) 7D3809171
outer panel for side panel / left rear / delivery van
for models with wheelbase: / 3320MM
F 70-1-083 198>>
- (6) 7D3809171E
outer panel for side panel / left rear / delivery van
for vehicles with sliding door cut-out
for models with wheelbase: / 3320MM
F >> 70-1-083 197
- (6) 7D3809171A
outer panel for side panel / left rear / delivery van
for vehicles with sliding door cut-out
for models with wheelbase: / 3320MM
F 70-1-083 198>>
- (6) 7D3809171F
outer panel for side panel / left rear / kombi van
for vehicles with window opening / bus
for models with wheelbase: / 3320MM
F >> 70-1-083 197
- (6) 7D3809171B
outer panel for side panel / left rear / kombi van
for vehicles with window opening / bus
for models with wheelbase: / 3320MM
F 70-1-083 198>>
- (6) 7D3809171G
outer panel for side panel / left rear / kombi van
for models with sliding door and window opening / bus
for models with wheelbase: / 3320MM
F >> 70-1-083 197
- (6) 7D3809171C
outer panel for side panel / left rear / kombi van
for models with sliding door and window opening / bus
for models with wheelbase: / 3320MM
F 70-1-083 198>>
- (6) 7D3809171Q
outer panel for side panel / left rear / kombi van
for models with sliding door and window opening / bus
for models with tyre size: / 16"
for models with wheelbase: / 3320MM
- (6) 7D3809171P
outer panel for side panel / left rear / kombi van
for vehicles with window opening / bus
for models with tyre size: / 16"
for models with wheelbase: / 3320MM
- (6) 7D1809172J
outer panel for side panel / right rear / delivery van
for vehicles with sliding door cut-out
for models with wheelbase: / 2920MM
F >> 70-1-083 197
- (6) 7D1809172A
outer panel for side panel / right rear / delivery van
for vehicles with sliding door cut-out
for models with wheelbase: / 2920MM
F 70-1-083 198>>
- (6) 7D1809172F
outer panel for side panel / right rear / delivery van
for models with wheelbase: / 2920MM
F >> 70-1-083 197
- (6) 7D1809172
outer panel for side panel / right rear / delivery van
for models with wheelbase: / 2920MM
F 70-1-083 198>>
- (6) 7D1809172G
outer panel for side panel / right rear / kombi van
for models with sliding door and window opening / bus
for models with wheelbase: / 2920MM/15"
F >> 70-1-083 197
- (6) 7D1809172C
outer panel for side panel / right rear / kombi van
for models with sliding door and window opening / bus
for models with wheelbase: / 2920MM/15"
F 70-1-083 198>>
- (6) 7D1809172K
outer panel for side panel / right rear / diesel eng.:
for models with sliding door and window opening / 111KW, / otto engine:
for models with tyre size: / 16"
for models with wheelbase: / 150KW
F >> 70-1-083 197
- (6) 7D1809172AA
outer panel for side panel / right rear / diesel eng.:
for models with sliding door and window opening / 111KW, / otto engine:
for models with wheelbase: / 2920MM / 150KW
for models with tyre size: / 16"
F 70-1-083 198>>
- (6) 7D1809172T
outer panel for side panel / right rear / diesel eng.:
for vehicles with window opening / 111KW / otto engine:
for models with wheelbase: / 2920MM / 150KW
for models with tyre size: / 16"
- (6) 7D1809172H
outer panel for side panel / right rear / kombi van
for vehicles with window opening / bus
for models with wheelbase: / 2920MM
F >> 70-1-083 197
- (6) 7D1809172B
outer panel for side panel / right rear / kombi van
for vehicles with window opening / bus
for models with wheelbase: / 2920MM
F 70-1-083 198>>
- (6) 7D3809172K
outer panel for side panel / right rear / delivery van
for models with wheelbase: / 3320MM
F >> 70-1-083 197
- (6) 7D3809172
outer panel for side panel / right rear / delivery van
for models with wheelbase: / 3320MM
F 70-1-083 198>>
- (6) 7D3809172J
outer panel for side panel / right rear / delivery van
for vehicles with sliding door cut-out
for models with wheelbase: / 3320MM
F >> 70-1-083 197
- (6) 7D3809172A
outer panel for side panel / right rear / delivery van
for vehicles with sliding door cut-out
for models with wheelbase: / 3320MM
F 70-1-083 198>>
- (6) 7D3809172H
outer panel for side panel / right rear / kombi van
for vehicles with window opening / bus
for models with wheelbase: / 3320MM
F >> 70-1-083 197
- (6) 7D3809172B
outer panel for side panel / right rear / kombi van
for vehicles with window opening / bus
for models with wheelbase: / 3320MM
F 70-1-083 198>>
- (6) 7D3809172G
outer panel for side panel / right rear / kombi van
for models with sliding door and window opening / bus
for models with wheelbase: / 3320MM
F >> 70-1-083 197
- (6) 7D3809172C
outer panel for side panel / right rear / kombi van
for models with sliding door and window opening / bus
for models with wheelbase: / 3320MM
F 70-1-083 198>>
- (6) 7D3809172T
outer panel for side panel / right rear / kombi van
for models with sliding door and window opening / bus
for models with tyre size: / 16"
for models with wheelbase: / 3320MM
- (6) 7D3809172S
outer panel for side panel / right rear / kombi van
for vehicles with window opening / bus
for models with tyre size: / 16"
for models with wheelbase: / 3320MM
- 6A 701827131
hinge reinforcement / left upper / PR-5V4
for wing doors with opening angle: / 250 degrees
- (6A) 701827132
hinge reinforcement / right upper
for wing doors with opening angle: / 250 degrees
- 6B 701827133
hinge reinforcement / left lower / PR-5V4
for wing doors with opening angle: / 250 degrees
- (6B) 701827134
hinge reinforcement / right lower
for wing doors with opening angle: / 250 degrees
- 6C N 90633601
torx socket fill.head bolt / M8X30-H-V
- 7 701809187B
inner panel / left outer panel for side panel
- (7) 701809188B
inner panel / right outer panel for side panel
- (8) 701810099
frame / left sliding door side
- 8 701810100
frame / right sliding door side
- (8A) 703809271
metal panel for side window aperture / left rear / kombi van
for models with wheelbase: / 2920MM
- 8A 723809271
metal panel for side window aperture / left rear / kombi van
for models with wheelbase: / 3320MM
- (8A) 703809272
metal panel for side window aperture / right rear / kombi van
for models with wheelbase: / 2920MM
- (8A) 723809272
metal panel for side window aperture / right rear / kombi van
for models with wheelbase: / 3320MM
- 8B 703809491
metal panel for side window aperture / front / kombi van
- 9 701809284C
reinforcement / right arrester hook
- 10 701809335
reinforcement outer panel for side panel
- 13 703809349
c-pillar, inner / left
- (14) 703809349B
c-pillar, inner / left for vehicles with sliding door cut-out
- (13) 701809354C
c-pillar, inner / right upper
- (13) 701802822A
c-pillar, inner / right lower
- (14) 701809354D
c-pillar, inner / right upper for vehicles with sliding door cut-out
- (14) 701802822
c-pillar, inner / right lower for vehicles with sliding door cut-out
- N 0114111
panel nut / 7/16"-20UNF-B
- 15 703809355
intermediate panel / left rear wheel housing
for models with wheelbase: / 2920MM
F >> 70-1-078 000*
- (15) 7D1809355D
intermediate panel / left rear wheel housing
F 70-1-078 001>>*
- (15) 723809355
intermediate panel / left rear
wheel housing
for models with wheelbase: / 3320MM
F >> 70-1-078 000*
- (15) 7D3809355B
intermediate panel / left rear wheel housing
for models with wheelbase: / 3320MM
F 70-1-078 001>>*
- (15) 703809356
intermediate panel / right rear wheel housing
for models with wheelbase: / 2920MM
F >> 70-1-078 000*
- (15) 7D1809356B
intermediate panel / right rear wheel housing
F 70-1-078 001>>*
- (15) 723809356A
intermediate panel / right rear wheel housing
for models with wheelbase: / 3320MM
F >> 70-1-078 000*
7D3809356B
intermediate panel / right rear
wheel housing
for models with wheelbase: / 3320MM
F 70-1-078 001>>*
- 15A 721809357
gusset plate / left lower c-pillar
for models with wheelbase: / 3320MM
- (15A) 721809358A
gusset plate / right lower c-pillar
for models with wheelbase: / 3320MM
- 16 7D1809027A
d-pillar / left
for models with wheelbase: / 2920MM
- (16) 7D3809027B
d-pillar / left / delivery van
for models with wheelbase: / 3320MM
- (16) 7D3809027C
d-pillar / left / KOMBI,BUS
for models with wheelbase: / 3320MM
- (16) 7D1809028A
d-pillar / right
for models with wheelbase: / 2920MM
- (16) 7D3809028B
d-pillar / right / delivery van
for models with wheelbase: / 3320MM
- (16) 7D3809028C
d-pillar / right / KOMBI,BUS
for models with wheelbase: / 3320MM
- 16A 701809591
reinforcement for pillar d / left
- (16A) 701809592
reinforcement for pillar d / right
- 7D3809013
plate / PR-3R1/3R2
- (17) 703810361
inner panel / left rear
for models with wheelbase: / 2920MM
- (17) 723810361
inner panel / left rear
for models with wheelbase: / 3320MM
- 17 703810362
inner panel / right rear
for models with wheelbase: / 2920MM
- (17) 723810362
inner panel / right rear
for models with wheelbase: / 3320MM
- 703809485
reinforcement for seat belt mounting point
- 18 701809599
gusset plate for d-pillar / left upper
- (18) 701809600
gusset plate for d-pillar / right upper
- (19) 701809901A
channel / upper for sliding door / left
- (19) 701809902B
channel / upper for sliding door / right
- 20 701809905
flap for fuel filler
- 20A 443809931
leaf spring
- 21 N 0116644
washer / B4,3X12X1
- 22 N 0139649
oval head panel screw / ST4,2X16-C
- 23 701827267A
threaded plate wing doors / rear
- 24 701827275A
retainer threaded plate
- D 180KD1A3
2k-body adhesive / 2X150ML
- (25) 701810185
reinforcement for pillar c / left upper
- 25 701810186
reinforcement for pillar c / right upper
- 27 703809445
reinforcement
- (28) 7D1810971A
wheel housing-plastic material / left / otto engine: / 150KW; / TDI:111KW
7D1810971A 01C satin black
- (28) 7D1810972A
wheel housing-plastic material / right / otto engine: / 150KW; / TDI:111KW
7D1810972A 01C satin black
- 29 357853586B
grommet
- 30 N 0385491
split rivet / 8X12
- 31 2D0807300
split rivet
- 32 2D0807267
clamping piece
- 35 701810042
reinforcement sliding door frame (sliding door, right)
- 36 701802780
edge plate / right lower c-pillar
for models with wheelbase: / 2920MM
- 37 7D1807335
bracket for light
- 40 7D1802996
mounting for trailer coupling ball



outer and inner panels / pick-up
rear panel - cab / double cab

1 707805419
rear panel - cab

2 7D0810101A
frame / left

(2) 7D0810101C
frame / left / post
also use: / 7D0 809 273

- 7D0809273
reinforcement / left

(2) 7D0810102A
frame / right

3 701805187A
air guide plate / left

(3) 701805188A
air guide plate / right

4 729809159
outer panel / double cab

5 729809187
inner panel upper part / double cab

6 729809191
inner panel / lower / double cab b-pillar / left

(6) 729809192
inner panel / lower / double cab c-pillar / left

7 729809251B
b-pillar, inner / left / double cab

(7) 707809252B
b-pillar, inner / right / double cab

(7) 707809251A
b-pillar, inner / left / pick-up

(7) 707809252B
b-pillar, inner / right / pick-up

8 7D5809255A
corner part / left / pick-up

(8) 7D5809256A
corner part / right / pick-up

9 7D7809255B
b-pillar, outer / left / double cab

(10) 7D7809255C
b-pillar, outer / left / double cab for vehicles with wing door / side

10 7D7809256C
b-pillar, outer / right / double cab

11 707809267
inner panel / left / pick-up

(11) 707809268
inner panel / right / pick-up

12 729809351
c-pillar, inner / left / double cab

(12) 729809351A
c-pillar, inner / left / double cab for vehicles with wing door / side

(12) 729809352A
c-pillar, inner / right / double cab for vehicles with wing door / side

13 729809385
filler plate / left / double cab b-pillar / lower

(14) 7D7809391A
reinforcem. for striker plate / left / double cab

14 7D7809392A
reinforcem. for striker plate / right / double cab

15 729809399
connecting part / left rear / double cab for roof frame

(15) 729809400
connecting part / right rear / double cab for roof frame

17 701809611
reinforcement for pillar b / left, center

(17) 701809612C
reinforcement for pillar b / right, center

(18) 729809615
hinge reinforcement / left / double cab for vehicles with wing door / side

18 729809616
hinge reinforcement / right / double cab for vehicles with wing door / side

19 729810189
c-pillar, outer / left / double cab corner part

(19) 7D7810189B
c-pillar, outer / left / double cab corner part for wing door / side

- N 10034401
plug / 30X5,6X37

(19) 729810190
c-pillar, outer / right / double cab

(19) 7D7810190B
c-pillar, outer / right / double cab corner part for wing door / side

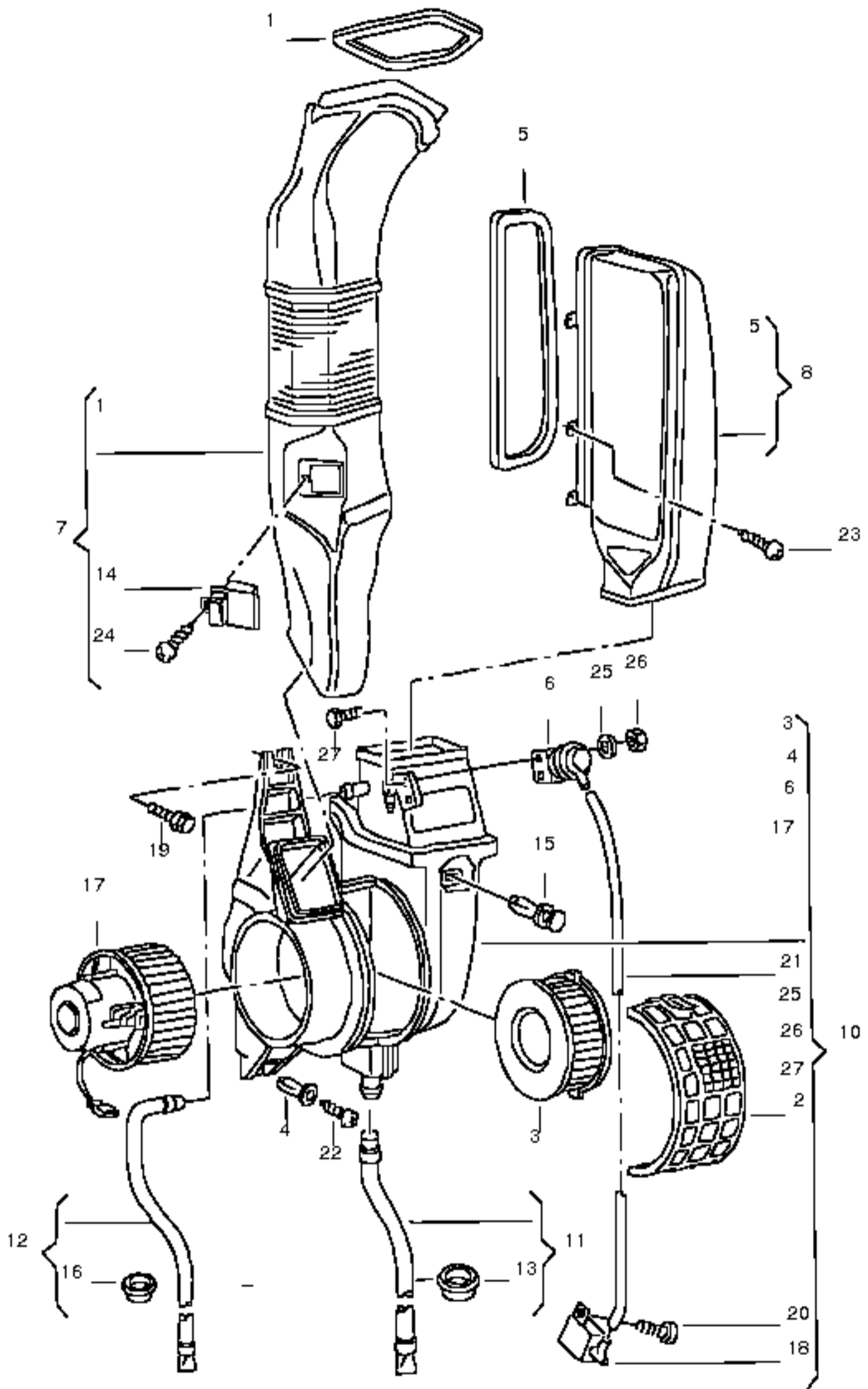
- N 10034401
plug / 30X5,6X37

20 729810191
frame / lower / double cab for wing door / side

21 7D7810193
frame / upper / double cab for wing door / side

(22) 7D7810197A
frame / left rear / double cab for wing door / side

22 7D7810198A
frame / right rear / double cab for wing door / side



passenger comp. ventilation

(1) 7D0820190

gasket for air duct

2 703819996

locking cover

air cleaner element

(3) 7D0819989

air cleaner element

dust and pollen filter

(3) 703819990A

filter element

4 703819948

clip nut / 15,7X20MM

F >> 70-X-020 000*

4 703819948

clip nut / 15,7X20MM

for models with wheelbase: / 2920MM

F 70-X-020 001>>*

(4) N 90855801

plug / A 11,5X27X22

for models with wheelbase: / 3320MM

F 70-X-020 001>>*

5 703815938

gasket

6 703819910

vacuum unit

(7) 703819908C

air duct

F >> 70-X-020 000*

(7) 703819908C

air duct

for models with wheelbase: / 2920MM

F 70-X-020 001>>*

(7) 723819908

air duct

for models with wheelbase: / 3320MM

F 70-X-020 001>>*

8 703819906

intake duct

F >> 70-X-020 000*

8 703819906

intake duct

for models with wheelbase: / 2920MM

F 70-X-020 001>>*

(8) 723819906

intake duct

for models with wheelbase: / 3320MM

F 70-X-020 001>>*

(10) 7D0819903B

air distribution housing

11 703815990

water drain pipe

12 703815990A

water drain pipe

13 703815939

grommet / 51X22X66

14 701959263

series resistance for fresh air and hot air blower / 1,7/0,8/0,4

15 701867299

clip

701867299 01C satin black

16 701820751A

grommet / 42X12X33

17 701819021B

blower / lhd

18 028906283

solenoid change-over valve / black

19 N 90542603

hex. hd. self-tap bolt (combi) / 6,6X19-D

20 N 90229401

fillister hd. bolt / E4,8X16K

21 N 0201391

tube in coils of 5m 'order unit 5' / 4X1

use if required: / N 020 353 5

shorten to: / 550MM

- N 0203535

hose in coils of 5m 'order unit 5' / 3,5X2

22 N 0139713

oval head panel screw / B4,8X22

shorten to: / 50MM

23 N 0139622

oval head panel screw / ST3,9X16-C

24 N 0139566

oval head panel screw / B3,5X6,5-C

25 N 0115227

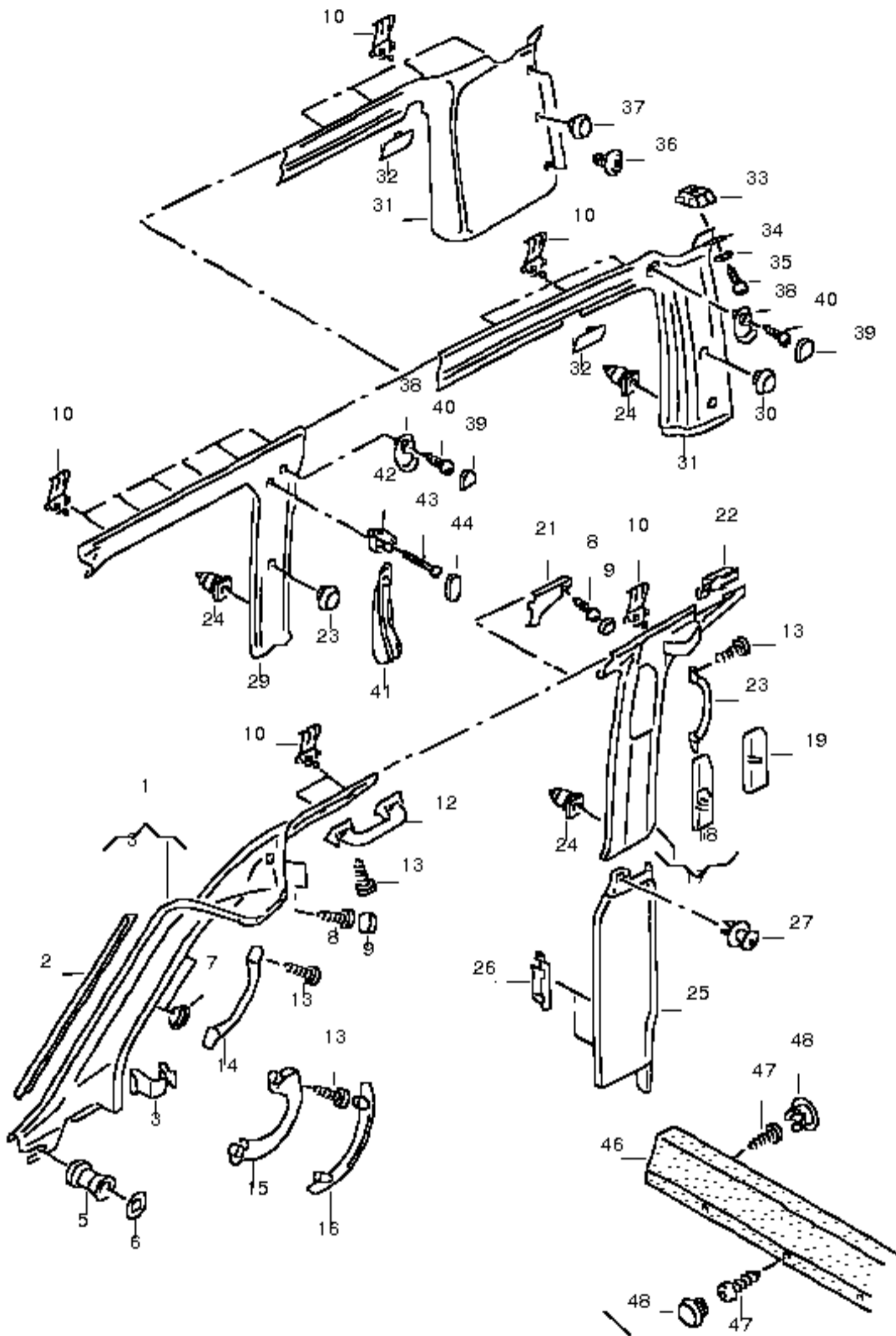
washer / A4,3X9X0,8

26 N 0110042

hexagonal nut / M4

27 N 0102017

hexagonal head bolt / M4X8



pillar trim
 padded strip for full-width partition
 F >> 70-1-200 000

(1) 705867233
 lining, pillar a / left lhd / delivery van
 / double cab
 / pick-up
 / kombi van l
 705867233 Y20 pearl grey

(1) 705867233A
 lining, pillar a / left lhd / comfort version
 705867233A 2EN pearl grey
 705867233A 28R light beige
 705867233A 6PE sahara

(1) 705867233A
 lining, pillar a / left lhd / delivery van
 705867233A 2EN pearl grey / PRITSCHENWG.
 705867233A 28R light beige

(1) 7D0867233M
 lining, pillar a / left lhd / comfort version
 7D0867233M 2EN pearl grey
 7D0867233M 28R light beige

(1) 7D0867233N
 lining, pillar a / left lhd / comfort version
 for models with hands-free telephone
 7D0867233N 2EN pearl grey

(1) 7D0867233F
 lining, pillar a / left lhd / delivery van
 for models with hands-free telephone
 / double cab
 / pick-up
 7D0867233F Y20 pearl grey

(1) 7D0867233E
 lining, pillar a / left lhd / comfort version
 for models with hands-free telephone
 7D0867233E 2EN pearl grey
 7D0867233E 28R light beige

(1) 705867233G
 lining, pillar a / left rhd / delivery van
 / double cab
 / pick-up
 705867233G Y20 pearl grey

(1) 705867233H
 lining, pillar a / left rhd / comfort version
 MIT L™CHER F®R EINSTIEGSHILFE (GRIFF)
 705867233H 2EN pearl grey
 705867233H 6PE sahara

1 705867234B
 lining, pillar a / right / delivery van
 / double cab
 / pick-up
 / kombi van l
 705867234B Y20 pearl grey

(1) 705867234C
 lining, pillar a / right / comfort version
 705867234C 2EN pearl grey
 705867234C 6PE sahara
 705867234C 28R light beige / -KS,VH,NA,YR

(1) 705867234C
 lining, pillar a / right / delivery van
 / double cab
 705867234C 2EN pearl grey / PRITSCHENWG.
 705867234C 28R light beige / -KS,VH,NA,YR / KOMBIWAG. L

(1) 7D0867234F
 lining, pillar a / right lhd / comfort version
 7D0867234F 2EN pearl grey
 7D0867234F 28R light beige

(1) 701867233
 lining, pillar a / left upper / "D."
 / fire brigade
 701867233 Y20 pearl grey

(1) 701867234
 lining, pillar a / right upper / "D."
 / fire brigade
 701867234 Y20 pearl grey

2 7D0867249
 beading
 7D0867249 01C satin black

3 701867331A
 clips

5 701868269
 rubber bush

6 N 0120571
 clamping washer / 5X14,3

7 705867915
 cover cap / upper rhd
 705867915 Y20 pearl grey

(7) 7D2867915
 cover cap / lower rhd
 7D2867915 Y20 pearl grey

(7) 7D0867915
 cover cap / upper rhd
 7D0867915 2EN pearl grey

(7) 7D2867915A
 cover cap / lower rhd
 7D2867915A 2EN pearl grey

8 N 90157501
 panel screw / B4,2X25

9 357867169
 cover cap
 357867169 9UW sahara
 357867169 Y20 pearl grey
 357867169 Q70 light beige / CALIF.-BEACH

10 705867331A
 clips
 grab handle
 see illustration: / 857-50
 panel screw
 see illustration: / 857-50
 grab handle
 see illustration: / 857-50

(17) 7D0867239G
 b-pillar trim / left upper / MULTIVAN II
 for vehicles with manually regulated air conditioner
 7D0867239G 2EN pearl grey

(17) 705867239L
 b-pillar trim / left upper / KASTENWAGEN
 for vehicles with sliding door / left / KOMBIWAG. L
 705867239L 2EN pearl grey
 705867239L 6PE sahara
 705867239L 28R light beige / -KS,VH,NA,YR

(17) 705867239L
 b-pillar trim / left upper / comfort version
 for vehicles with sliding door / left
 705867239L 2EN pearl grey
 705867239L 6PE sahara
 705867239L 28R light beige / -KS,VH,NA,YR

(17) 7D0867239J
 b-pillar trim / left upper / comfort version
 for vehicles with sliding door / left
 7D0867239J 2EN pearl grey

(17) 705867239Q
 b-pillar trim / left upper / delivery van / KOMBIWAG. L
 705867239Q 2EN pearl grey
 705867239Q 6PE sahara
 705867239Q 28R light beige / -KS,VH,NA,YR

(17) 7D0867239M
 b-pillar trim / left upper / kombi van l
 7D0867239M Y20 pearl grey / -BX,LS

(17) 7D0867239E
 b-pillar trim / left upper / delivery van
 for vehicles with electronically regulated air condit. / KOMBIWAG. L
 7D0867239E 2EN pearl grey
 7D0867239E 28R light beige

17 705867240L
 b-pillar trim / right upper / delivery van
 for vehicles with sliding door / right / KOMBIWAG. L
 705867240L 2EN pearl grey
 705867240L 6PE sahara
 705867240L 28R light beige / -KS,VH,NA,YR

17 705867240L
 b-pillar trim / right upper / comfort version
 for vehicles with sliding door / right
 705867240L 2EN pearl grey
 705867240L 6PE sahara
 705867240L 28R light beige / -KS,VH,NA,YR

(17) 7D0867240H
 b-pillar trim / right upper / comfort version
 7D0867240H 2EN pearl grey
 7D0867240H 28R light beige

(17) 705867240Q
 b-pillar trim / right upper / delivery van
 for models without sliding door / KOMBIWAG. L
 / right
 705867240Q 2EN pearl grey
 705867240Q 6PE sahara
 705867240Q 28R light beige / -KS,VH,NA,YR

(17) 705867240Q
 b-pillar trim / right upper / comfort version
 for models without sliding door
 / right
 705867240Q 2EN pearl grey
 705867240Q 6PE sahara
 705867240Q 28R light beige / -KS,VH,NA,YR

(17) 7D0867240G
 b-pillar trim / right upper
 7D0867240G 2EN pearl grey

(17) 7D0867240J
 b-pillar trim / right upper / kombi van l
 7D0867240J Y20 pearl grey / -BX,LS

(17) 7D0867239E
 b-pillar trim / left upper / comfort version
 for vehicles with electronically regulated air condit.
 7D0867239E 2EN pearl grey
 7D0867239E 28R light beige

(17) 7D0867239L
 b-pillar trim / left upper / comfort version
 for vehicles with electronically regulated air condit.
 7D0867239L 2EN pearl grey
 7D0867239L 28R light beige

(17) 7D0867239K
 b-pillar trim / left upper / comfort version
 for vehicles with 2nd heat exchanger
 for vehicles with passenger comp. ventilation
 7D0867239K 2EN pearl grey

(17) 7D0867239H
 b-pillar trim / left upper / comfort version
 7D0867239H 2EN pearl grey
 7D0867239H 28R light beige

(17) 703867240A
 b-pillar trim / right upper / ambulance
 703867240A 6PE sahara

- 705857639
 expanding nut

(18) 705867293B
 slide valve / left
 for models with height adjustable seat belts
 705867293B Q70 light beige / -KS,VH,NA,YR
 705867293B Y20 pearl grey
 705867293B 9UW sahara

18 705867294B
 slide valve / right
 for models with height adjustable seat belts
 705867294B Q70 light beige / -KS,VH,NA,YR
 705867294B Y20 pearl grey
 705867294B 9UW sahara

(21) 701867237
 connecting part / left
 701867237 9UW sahara
 701867237 Y20 pearl grey

21 701867238
 connecting part / right
 701867238 9UW sahara
 701867238 Y20 pearl grey

22 705867633C
 retaining clip
 sliding door side
 grab handle
 see illustration: / 857-50

24 701867549
 clip

(25) 705867037
 b-pillar trim / left lower
 for vehicles with sliding door / left
 705867037 2DQ flannel grey / -AB,BX,MA,TU, / TV,UF,WK
 705867037 7FP lagoon / -TS,UE,VJ,06
 705867037 9XW sahara / -UG,VK

(25) 7D1867037
 b-pillar trim / left lower
 for vehicles with sliding door / left
 for vehicles with passenger comp. ventilation
 for vehicles with 2nd heat exchanger
 7D1867037 2DQ flannel grey / -AQ,KQ,MA
 7D1867037 7FP lagoon / -AP,KR

(25) 7D1867037A
 b-pillar trim / left lower
 for vehicles with sliding door / left
 for vehicles with 2nd heat exchanger
 7D1867037A 2DQ flannel grey / -AQ,KQ,MA
 7D1867037A 7FP lagoon / -AP,KR

(25) 7D1867037B
 b-pillar trim / left lower
 for vehicles with sliding door / left
 for vehicles with electronically regulated air condit.
 for vehicles with 2nd evaporator
 7D1867037B 2DQ flannel grey / -AQ,KQ,MA
 7D1867037B 7FP lagoon / -AP,KR

25 705867038B
 b-pillar trim / right lower
 for vehicles with sliding door / right
 705867038B Q75 light beige / -KS,VH
 705867038B 2DQ flannel grey / -AB,BX,MA,TU, / TV,UF,WK
 705867038B 7FP lagoon / -TS,UE,VJ,06
 705867038B 9XW sahara / -UG,VK

(25) 7D0867038
 b-pillar trim / right lower
 for vehicles with sliding door / right
 7D0867038 Q75 light beige / -KS,NA,VH,YR
 7D0867038 2DQ flannel grey / -AQ,BX,KQ,LS, / MA,RW,RX,RY, / RZ,22
 7D0867038 7FP lagoon / -AP,KR,VJ,YQ

26 705867200
 clips

27 701867299
 clip
 701867299 J51 lagoon
 701867299 U71 flannel grey
 701867299 9UW sahara
 701867299 Q70 light beige

(29) 705867287L
 lining, pillar c / left upper
 sliding door side
 705867287L 2EN pearl grey
 705867287L 6PE sahara

29 705867288L
 lining, pillar c / right upper
 sliding door side
 705867288L 2EN pearl grey / -AP,AQ,KQ,KR, / MA,RW,RX,RY, / RZ,VJ,22,YQ, / 51
 705867288L 6PE sahara / -BT,NB
 705867288L 28R light beige / -KS,VH,NA,YR

(29) 705867287AC
 lining, pillar c / left upper
 705867287AC2EN pearl grey / -AP,AQ,KQ,KR, / MA,RW,RX,RY, / RZ,VJ,22,YQ
 705867287AC6PE sahara / -BT,NB
 705867287AC28R light beige / -KS,VH,NA,YR

(29) 705867288K
 lining, pillar c / right upper
 705867288K 2EN pearl grey
 705867288K 6PE sahara

(29) 7D0867287F
 lining, pillar c / left upper / kombi van l
 7D0867287F Y20 pearl grey / -BX,LS

(29) 7D0867288D
 lining, pillar c / right upper / kombi van l
 sliding door side
 7D0867288D Y20 pearl grey / -BX,LS

30 7D0868805
 cover cap
 7D0868805 2EN pearl grey
 7D0868805 6PE sahara
 7D0868805 28R light beige / -KS,VH,NA,YR

(31) 705867245A
 lining, pillar d / left upper
 for models with wheelbase: / 2920MM
 705867245A 2EN pearl grey
 705867245A 6PE sahara
 705867245A 28R light beige / -KS,VH,NA,YR

31 705867246A
 lining, pillar d / right upper
 for models with wheelbase: / 2920MM
 705867246A 2EN pearl grey
 705867246A 6PE sahara
 705867246A 28R light beige / -KS,VH,NA,YR

(31) 7D0867245A
 lining, pillar d / left upper / kombi van l
 for models with wheelbase: / 2920MM
 7D0867245A Y20 pearl grey / -BX,LS

(31) 7D0867246D
 lining, pillar d / right upper / kombi van l
 for models with wheelbase: / 2920MM
 7D0867246D Y20 pearl grey / -BX,LS

(31) 725867245A
 lining, pillar d / left upper
 for models with wheelbase: / 3320MM
 725867245A 2EN pearl grey
 725867245A 6PE sahara

(31) 725867246A
 lining, pillar d / right upper
 for models with wheelbase: / 3320MM
 725867246A 2EN pearl grey
 725867246A 6PE sahara

(31) 7D3867245A
 lining, pillar d / left upper / kombi van l
 for models with wheelbase: / 3320MM
 7D3867245A Y20 pearl grey / -BX,LS

(31) 7D3867246B
 lining, pillar d / right upper / kombi van l
 for models with wheelbase: / 3320MM
 7D3867246B Y20 pearl grey / -BX,LS

(31) 705867246N
 lining, pillar d / right upper
 for vehicles with 2nd evaporator / air condit.
 for vehicles with passenger comp. ventilation
 for models with wheelbase: / 2920MM
 705867246N 2EN pearl grey
 705867246N 6PE sahara
 705867246N 28R light beige / -KS,VH,NA,YR

(31) 725867246E
 lining, pillar d / right upper
 for vehicles with 2nd evaporator / air condit.
 for vehicles with passenger comp. ventilation
 for models with wheelbase: / 3320MM
 725867246E 2EN pearl grey

32 705868807
 cover cap / right
 705868807 Y20 pearl grey
 705868807 9UW sahara
 705868807 Q70 light beige / -KS,VH,NA,YR

(32) 705868807A
 cover cap / right
 for vehicles with 2nd evaporator / air condit.
 705868807A Y20 pearl grey
 705868807A 9UW sahara
 705868807A Q70 light beige / -KS,VH,NA,YR

33 705868279
 clips

34 N 0116644
 washer / B4,3X12X1

35 N 0139655
 oval head panel screw / B4,2X9,5

36 N 90584101
 cover cap / 20,7X17X10
 N 90584101J51 lagoon
 N 90584101Q70 light beige
 N 90584101U71 flannel grey
 N 90584101Y20 pearl grey

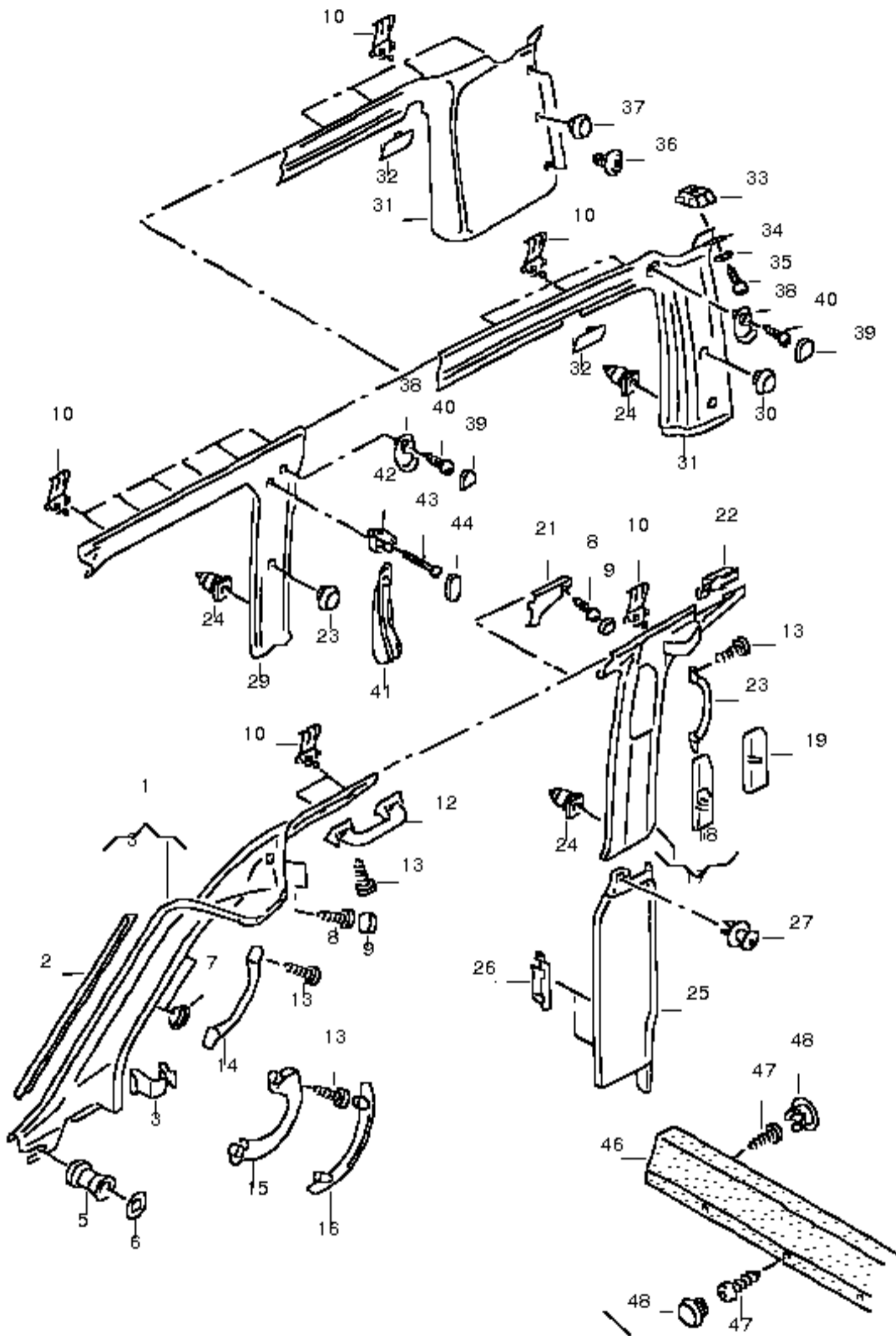
37 N 90581901
 press stud / 20X11X9,5
 lining, pillar d / right
 for vehicles with 2nd evaporator / air condit.
 for vehicles with passenger comp. ventilation
 N 90581901Y20 pearl grey
 N 90581901U71 sahara
 N 90581901Q70 light beige / -KS,VH,NA,YR

coat hook
 see illustration: / 857-50
 cover cap
 see illustration: / 857-50
 panel screw
 see illustration: / 857-50
 hand strap
 see illustration: / 857-50
 retainer
 see illustration: / 857-50
 panel screw
 see illustration: / 857-50
 cover cap
 see illustration: / 857-50

46 703867635
 padded strip for full-width partition
 703867635 4FB black

47 N 0139575
 oval head panel screw / B3,5X9,5

48 255867645
 plug
 255867645 01C satin black



pillar trim
padded strip for full-width partition
F 70-2-000 001>>

(1) 705867233
lining, pillar a / left lhd / PR-FM0
705867233 Y20 pearl grey

(1) 701867233
lining, pillar a / left lhd / PR-FM0
for vehicles with high roof
701867233 Y20 pearl grey

(1) 7D0867233F
lining, pillar a / left lhd / PR-FM0
for models with hands-free telephone
7D0867233F Y20 pearl grey

(1) 705867233A
lining, pillar a / left lhd / PR-FM6/FM7
705867233A 2EN pearl grey

(1) 7D0867233E
lining, pillar a / left lhd / PR-FM6/FM7
for models with hands-free telephone
7D0867233E 2EN pearl grey

(1) 7D0867233M
lining, pillar a / left lhd / PR-FM1/FM2/
/ FM5/FM9,3R0
7D0867233M 2EN pearl grey
7D0867233M 28R light beige

(1) 7D0867233N
lining, pillar a / left lhd / PR-FM1/FM2/
for models with hands-free telephone / FM9,3R0
7D0867233N 2EN pearl grey
7D0867233N 28R light beige

(1) 705867233A
lining, pillar a / left lhd / PR-FM9,3R3
for models with tilting sunroof
705867233A 2EN pearl grey

(1) 7D0867233E
lining, pillar a / left lhd / PR-FM9,3R3
for models with tilting sunroof
for models with hands-free telephone
7D0867233E 2EN pearl grey

(1) 705867233G
lining, pillar a / left rhd / PR-FM0
705867233G Y20 pearl grey

(1) 7D2867233
lining, pillar a / left rhd / PR-FM1/FM2/
/ FM5/FM9
7D2867233 2EN pearl grey

(1) 705867233H
lining, pillar a / left rhd / PR-FM1/FM2/
for models with tilting extendable roof or high roof / FM5
705867233H 2EN pearl grey

1 705867234B
lining, pillar a / right / PR-FM0
705867234B Y20 pearl grey

(1) 701867234
lining, pillar a / right / PR-FM0
for vehicles with high roof
701867234 Y20 pearl grey

(1) 705867234C
lining, pillar a / right / PR-FM6/FM7
705867234C 2EN pearl grey

(1) 705867234C
lining, pillar a / right / PR-FM9,3R3
for models with tilting sunroof
705867234C 2EN pearl grey

(1) 7D0867234F
lining, pillar a / right / PR-FM1/FM2/
/ FM5/FM9
7D0867234F 2EN pearl grey
7D0867234F 28R light beige

2 7D0867249
beading
a-pillar, inner
7D0867249 01C satin black

3 701867331A
clips

5 701868269
rubber bush

6 N 0120571
clamping washer / 5X14,3

7 705867915
cover cap / upper rhd / PR-FM0
705867915 Y20 pearl grey

(7) 7D2867915
cover cap / lower rhd / PR-FM0
7D2867915 Y20 pearl grey

(7) 7D0867915
cover cap / upper rhd / PR-FM1/FM2/
/ FM5
7D0867915 2EN pearl grey

(7) 7D2867915A
cover cap / lower rhd / PR-FM1/FM2/
/ FM5
7D2867915A 2EN pearl grey

8 N 9015701
panel screw / B4,2X25

9 357867169
cover cap
357867169 Y20 pearl grey
357867169 Q70 light beige / -KS,NA,YR

10 705867331A
clips
grab handle
see illustration: / 857-50
panel screw
see illustration: / 857-50
grab handle
see illustration: / 857-50

(17) 7D0867239M
b-pillar trim / left upper / PR-FM0
7D0867239M Y20 pearl grey

(17) 7D0867239H
b-pillar trim / left upper / PR-FM1/FM2/
/ FM9,6LD,9AA/
/ 9AB
7D0867239H 2EN pearl grey
7D0867239H 28R light beige

(17) 7D0867239K
b-pillar trim / left upper / PR-FM1/FM2/
for vehicles with passenger comp. ventilation / FM9,6LF,9AA/
/ 9AB
7D0867239K 2EN pearl grey
7D0867239K 28R light beige

(17) 7D0867239L
b-pillar trim / left upper / PR-FM1/FM2/
for vehicles with electroni- cally regulated air condit. / FM9,9AH
7D0867239L 2EN pearl grey
7D0867239L 28R light beige

(17) 7D0867239J
b-pillar trim / left upper
for vehicles with sliding door / left
7D0867239J 2EN pearl grey

(17) 7D0867240J
b-pillar trim / right upper / PR-FM0
7D0867240J Y20 pearl grey / -BX,LS

(17) 7D0867240H
b-pillar trim / right upper / PR-FM1/FM2/
/ FM5/FM9,5R2/
/ 5R6
7D0867240H 2EN pearl grey
7D0867240H 28R light beige

(17) 7D0867240G
b-pillar trim / right upper / PR-5R0
7D0867240G 2EN pearl grey / -AP,AQ,KQ,KR. / MA

- 705857639
expanding nut
coat hook

(18) 705867293B
slide valve / left
for models with height adjustable seat belts
705867293B Q70 light beige / -KS,NA,YR
705867293B Y20 pearl grey

18 705867294B
slide valve / right
for models with height adjustable seat belts
705867294B Q70 light beige / -KS,NA,YR
705867294B Y20 pearl grey

(21) 701867237
connecting part / left
701867237 Y20 pearl grey / -AQ,BU,BX,KQ. / LS

21 701867238
connecting part / right
701867238 Y20 pearl grey / -AQ,BU,BX,KQ. / LS

22 705867633C
retaining clip
sliding door side
grab handle
see illustration: / 857-50

24 701867549
clip

(25) 7D1867037A
b-pillar trim / left lower / PR-6LD,9AA/
for vehicles with sliding door / left / 9AB
7D1867037A 2DQ flannel grey
7D1867037A 7FP lagoon

(25) 7D1867037
b-pillar trim / left lower / PR-6LF,9AA/
for vehicles with sliding door / left / 9AB
for vehicles with passenger comp. ventilation
7D1867037 2DQ flannel grey
7D1867037 7FP lagoon

(25) 7D1867037B
b-pillar trim / left lower / PR-9AH
for vehicles with sliding door / left
for vehicles with electronically regulated air condit.
7D1867037B 2DQ flannel grey
7D1867037B 7FP lagoon

(25) 7D0867038
b-pillar trim / right lower
for vehicles with sliding door / right
7D0867038 Q75 light beige / -KS,NA,YR
7D0867038 2DQ flannel grey / -AQ,BX,KQ,LS,
/ MA,RW,RX,RY,
/ RZ,UC,WL,22,
/ 39,41,43,44,
/ 51,79,80,89,
/ 90
7D0867038 7FP lagoon / -AP,KR,YQ

26 705867200
clips

27 701867299
clip
701867299 J51 lagoon
701867299 U71 flannel grey
701867299 Q70 light beige

(29) 705867287AC
lining, pillar c / left upper / PR-FM1/FM2/
for models without sliding door / FM3/FM9,1U0
/ left
705867287AC2EN pearl grey / -AP,AQ,KQ,KR,
/ MA,RW,RX,RY,
/ RZ,VJ,YQ,22
705867287AC28R light beige / -KS,NA,YR

(29) 705867287K
lining, pillar c / left upper / PR-1U1/1U2
for models without sliding door
/ left
for models with folding table
705867287K 2EN pearl grey

(29) 7D0867287F
lining, pillar c / left upper / PR-FM0
7D0867287F Y20 pearl grey / -BX,LS

(29) 705867287L
lining, pillar c / left upper
for vehicles with sliding door / left
705867287L 2EN pearl grey

29 705867288L
lining, pillar c / right upper / PR-FM1/FM2/
for vehicles with sliding door / right / FM3/FM9,5R2/
/ 5R6
705867288L 2EN pearl grey / -AP,AQ,KQ,KR,
/ MA,RW,RX,RY,
/ RZ,YQ,22,41,
/ 43,44,51,79,
/ 80,89,90
705867288L 28R light beige / -KS,NA,YR

(29) 705867288K
lining, pillar c / right upper / PR-5R0
for models without sliding door
/ right
705867288K 2EN pearl grey / -AP,AQ,KQ,KR,
/ MA

(29) 7D0867288D
lining, pillar c / right upper / PR-FM0
7D0867288D Y20 pearl grey / -BX,LS

30 7D0868805
cover cap
trim, c/d-pillar
7D0868805 2EN pearl grey
7D0868805 28R light beige / -KS,NA,YR

(31) 705867245A
lining, pillar d / left upper / PR-FM1/FM2/
for models with wheelbase: / 2920MM / FM3/FM5/FM9,
/ 5DC/5DJ
705867245A 2EN pearl grey

(31) 705867245A
lining, pillar d / left upper / PR-5DD/5DM/
for models with wheelbase: / 2920MM / 5DT
705867245A 2EN pearl grey
705867245A 28R light beige / -KS,NA,YR

(31) 7D0867245A
lining, pillar d / left upper / PR-FM0,5DC
for models with wheelbase: / 2920MM
7D0867245A Y20 pearl grey / -BX,LS

(31) 725867245A
lining, pillar d / left upper / PR-5DD
for models with wheelbase: / 3320MM
725867245A 2EN pearl grey

(31) 7D3867245A
lining, pillar d / left upper / PR-5DC
for models with wheelbase: / 3320MM
7D3867245A Y20 pearl grey / -BX,LS

31 705867246A
lining, pillar d / right upper / PR-5DD/5DM/
for models with wheelbase: / 2920MM / 5DT,6LD,9AA/
/ 9AB
705867246A 2EN pearl grey
705867246A 28R light beige / -KS,NA,YR

31 705867246A
lining, pillar d / right upper / PR-FM1/FM2/
for models with wheelbase: / 2920MM / FM3/FM5/FM9,
/ 5DC/5DJ,6LD,
/ 9AA/9AB
705867246A 2EN pearl grey

(31) 705867246N
lining, pillar d / right upper / PR-6LF/9AH
for vehicles with 2nd evaporator
for models with passenger comp. ventilation
for models with wheelbase: / 2920MM
705867246N 2EN pearl grey
705867246N 28R light beige / -KS,NA,YR

(31) 7D0867246D
lining, pillar d / right upper / PR-FM0,5DC
for models with wheelbase: / 2920MM
7D0867246D Y20 pearl grey / -BX,LS

(31) 725867246A
lining, pillar d / right upper / PR-5DD,6LD,
for models with wheelbase: / 3320MM / 9AA/9AB
725867246A 2EN pearl grey

(31) 725867246A
lining, pillar d / right upper / PR-FM1/FM2/
for models with wheelbase: / 3320MM / FM3/FM5/FM9,
/ 5DC,6LD,9AA/
/ 9AB
725867246A 2EN pearl grey

(31) 725867246E
lining, pillar d / right upper / PR-6LF/9AH
for vehicles with 2nd evaporator
for vehicles with passenger comp. ventilation
for models with wheelbase: / 3320MM
725867246E 2EN pearl grey

(31) 7D3867246B
lining, pillar d / right upper / PR-FM0,5DC
for models with wheelbase: / 3320MM
7D3867246B Y20 pearl grey / -BX,LS

32 705868807
cover cap / right
705868807 Y20 pearl grey
705868807 Q70 light beige / -KS,NA,YR

(32) 705868807A
cover cap / right
for vehicles with 2nd evaporator / air condit.
705868807A Y20 pearl grey
705868807A Q70 light beige / -KS,NA,YR

33 705868279
clips

34 N 0116644
washer / B4,3X12X1

35 N 0139655
oval head panel screw / B4,2X9,5

36 N 90584101
cover cap / 20,7X17X10
N 90584101J51 lagoon
N 90584101Q70 light beige
N 90584101U71 flannel grey
N 90584101Y20 pearl grey

37 N 90581901
press stud / 20X11X9,5
lining, pillar d / right
for vehicles with 2nd evaporator / air condit.
for vehicles with passenger comp. ventilation
N 90581901Y20 pearl grey
N 90581901Q70 light beige / -KS,NA,YR

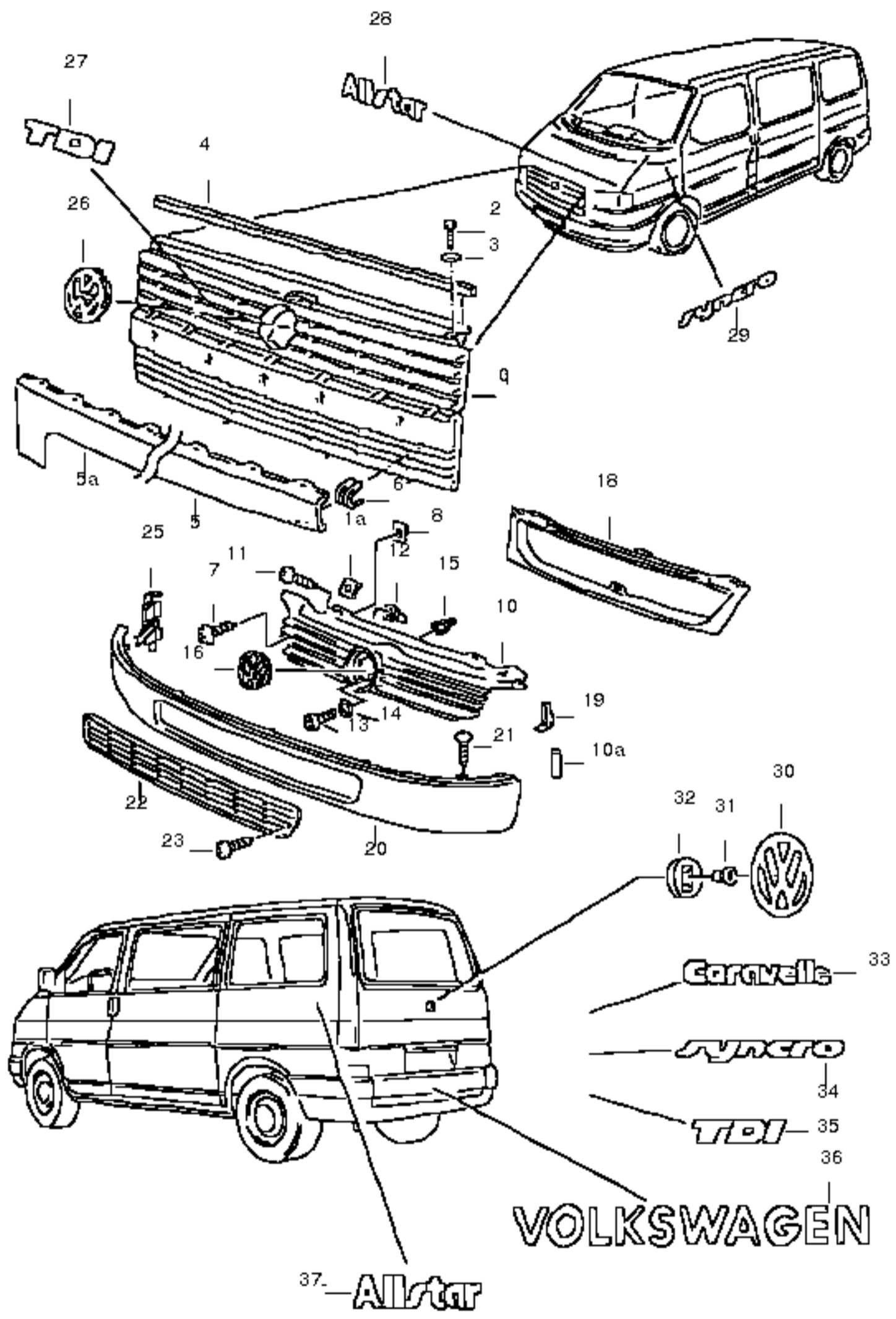
coat hook
see illustration: / 857-50
cover cap
see illustration: / 857-50
panel screw
see illustration: / 857-50

hand strap
see illustration: / 857-50
retainer
see illustration: / 857-50
panel screw
see illustration: / 857-50
cover cap
see illustration: / 857-50

46 703867635
padded strip for full-width partition
703867635 4FB black

47 N 0139575
oval head panel screw / B3,5X9,5

48 255867645
plug
255867645 01C satin black



radiator grille
inscriptions/lettering
radiator grille

(1) 701853653F
radiator grille / PR-AC0
701853653F 01C satin black

1A N 0154292
snap nut / ST4,2X16,5X11 / PR-AC0

2 N 0139649
oval head panel screw / ST4,2X16-C / PR-AC0

3 N 0116644
washer / B4,3X12X1 / PR-AC0

4 701853669
gasket / 16X18X900 / PR-AC0

5A 701854504B
trim / PR-AC0

(5A) 701854504C
trim / PR-AC0
for vehicles with headlight washer system

6 701805163
clip / PR-AC0

7 N 10003203
oval head panel screw (combi) / ST4,8X19-C-Z2

8 N 90891701
snap nut / 4,8X19,5X13

(10) 7D0853651
radiator grille / PR-AC1
7D0853651 01C satin black

(10) 7D0853651A
radiator grille / PR-AC1
7D0853651A GRU primed

10A 7D0854666
retaining pin / PR-AC1
radiator grille

11 N 0140986
oval hd. csk. self-tapp. screw / B4,8X16 / PR-AC1

12 165827592
expanding nut / 7MM / PR-AC1

13 N 0147018
allen key head bolt / M6X12MK / PR-AC1

14 N 01152423
washer / A6,4X12,5X1,6 / PR-AC1

15 7D0806601
rubber mounting / PR-AC1

16 3B0853601
vw emblem / PR-AC1
3B0853601 FDY chrome

(16) 701853601D
vw emblem / PR-AC1
701853601D 01C black

18 7D0853661
trim / PR-AC1

19 7D0854649
glide piece / PR-AC1

(20) 7D0853662E
trim / PR-AC1
use if required: / N 020 032 1

(20) 7D0853662F
trim / PR-AC1
for vehicles with headlight washer system
use if required: / N 020 032 1

- N 0200321
plug / A6X0,8

21 N 0140986
oval hd. csk. self-tapp. screw / B4,8X16 / PR-AC1

22 7D0853654
air guide grille / PR-AC1
7D0853654 01C satin black

(22) 7D0853654A
air guide grille / PR-AC1
7D0853654A GRU primed

23 N 0140986
oval hd. csk. self-tapp. screw / B4,8X16 / PR-AC1

(25) 7D0854509
guide / left / PR-AC1

25 7D0854510
guide / right / PR-AC1

inscriptions/lettering / front

26 3A0853600
vw emblem / PR-AC0
3A0853600 EPG chrome

(26) 323853601
vw emblem / PR-AC0
323853601 041 black

27 701853679A
inscription / 'TDI' / PR-AC0
701853679A Z10 chrome
701853679A HCE chrome/blue

(27) 701853679B
inscription / 'TDI' / PR-AC1
radiator grille
701853679B Z10 chrome

(27) 7D0853679C
inscription / 'TDI' / PR-AC1
7D0853679C EQW chrome/chrome/red
7D0853679C HCE chrome/blue

(27) 7D0853679
inscription / 'VR6'
radiator grille
7D0853679 Z10 chrome

(27) 7D0853679D
inscription / 'V6'
7D0853679D EQW chrome/red

28 7D0854431
foil inscription / 'ALLSTAR'
7D0854431 DGZ green/orange

(28) 7D0854431A
foil inscription / 'CLASSIC'
7D0854431A DTH black/silver

(28) 7D0854431C
foil inscription / 'FAMILY'
7D0854431C 33E anthracite/silver

(28) 7D0854431D
foil inscription / 'ATLANTIS'
7D0854431D 45Z silver/blue/red/green/yellow
7D0854431D 1M9 grey/blue/red/green/yellow

(28) 7D0854431E
foil inscription / 'GENERATION'
7D0854431E 1W4 silver
for color of vehicle: / N7N7,T7T7,
/ Z4Z4,9095
7D0854431E 9ZD diamond-silver
for color of vehicle: / 8E8E

(28) 7D0854431F
foil inscription / 'HIGHLINE'
7D0854431F 4M1 silver

(28) 7D0854431G
foil inscription / 'LAST EDITION'
7D0854431G 1CX black/silver

inscriptions/lettering / rear

30 701853601F
vw emblem
701853601F DRR chrome

(30) 701853601C
vw emblem
701853601C 01C satin black

31 191853615A
grommet

32 171853939
clamping washer / 12X4

(33) 701853689E
inscription / 'TRANSPORTER'
701853689E Z10 chrome

(33) 7D5853689A
inscription / 'VW '
/ 'TRANSPORTER'
/ 'TDI'
7D5853689A 04A titan silver/white/blue

(33) 705853689G
inscription / 'CARAVELLE'
705853689G Z10 chrome

(33) 705853689H
inscription / 'CARAVELLE GL'

705853689H Z10 chrome

(33) 703853689G
inscription / 'MULTIVAN'
703853689G Z10 chrome

(33) 701853689F
inscription / 'EUROVAN'
701853689F Z10 chrome

(33) 705853689K
inscription / 'VANAGON' / 'J..'
705853689K Z10 chrome

(33) 707853689A
inscription / 'VW ' / pick-up
/ 'TRANSPORTER' / double cab
/ 'TDI'
707853689A CEV titan silver-dark/white

35 701853675B
inscription / 'TDI'
701853675B Z10 chrome

(35) 7D0853675C
inscription / 'TDI'
7D0853675C EQW chrome/chrome/red
7D0853675C HCE chrome/blue

(35) 7D0853675
inscription / 'VR6'
7D0853675 Z10 chrome

(35) 7D0853675D
inscription / 'V6'
7D0853675D EQW chrome/red

(35) 703853687A
foil inscription / 'CLASSIC'
703853687A DTH black/silver

(35) 7D0853687B
foil inscription / 'FAMILY'
7D0853687B 33E anthracite/silver

37 703854433
foil inscription / 'ALLSTAR'
703854433 DGZ green/orange

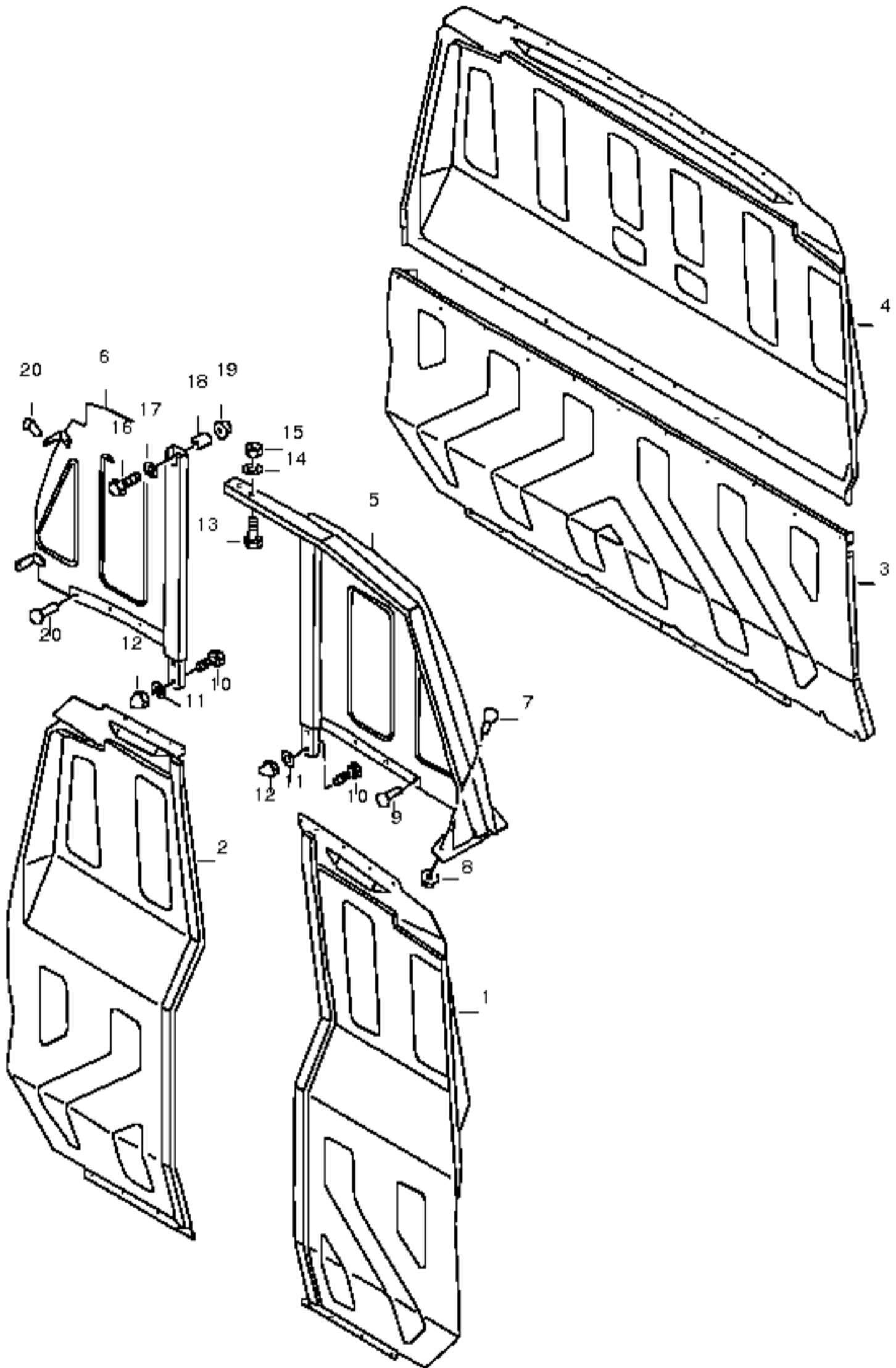
(37) 7D0854433
foil inscription / 'ATLANTIS'
7D0854433 45Z silver/blue/red/green/yellow
7D0854433 1M9 grey/blue/red/green/yellow

(37) 7D0854433A
foil inscription / 'GENERATION'
7D0854433A 1W4 silver
7D0854433A 9ZD diamond-silver

(37) 7D0854433B
foil inscription / 'TIM U. TOM' / PR-E17
7D0854433B 3Q1 silver grey
7D0854433B 3R2 light silver

(37) 7D0854433C
foil inscription / 'HIGHLINE'
7D0854433C 4M1 silver

(37) 7D0854433D
foil inscription / 'LAST EDTION'
7D0854433D 1CX black/silver



rear panel
partitions

1 721863169
partition / left

(2) 721863170A
partition / right

(3) 701863171B
partition / lower

(3) 723863171C
partition / lower / ambulance

4 701863175
partition without window aperture / upper

(4) 701863175A
partition with opening for fixed window / upper

(4) 701863175B
partition with opening for sliding window / upper

(4) 703863163
partition with opening for sliding window / upper / ambulance

5 721863163
partition / left upper
for high roof

(5) 721863163A
partition / left upper
for high roof with high sliding door, right

(6) 721863164
partition / right upper
for high roof

6 721863164A
partition / right upper
for high roof with high sliding door, right

7 N 0441682
fillister hd. bolt / M8X22

8 N 0303991
rivetted cap nut / M8E

9 N 90437401
pop-rivet / A4,8X10

10 N 01024416
hexagonal head bolt / M8X30

11 N 01152520
washer / A8,4X16X1,6

12 N 0111223
domed cap nut / M8RI

13 N 01022012
hexagonal head bolt / M6X30

14 N 01152423
washer / A6,4X12,5X1,6

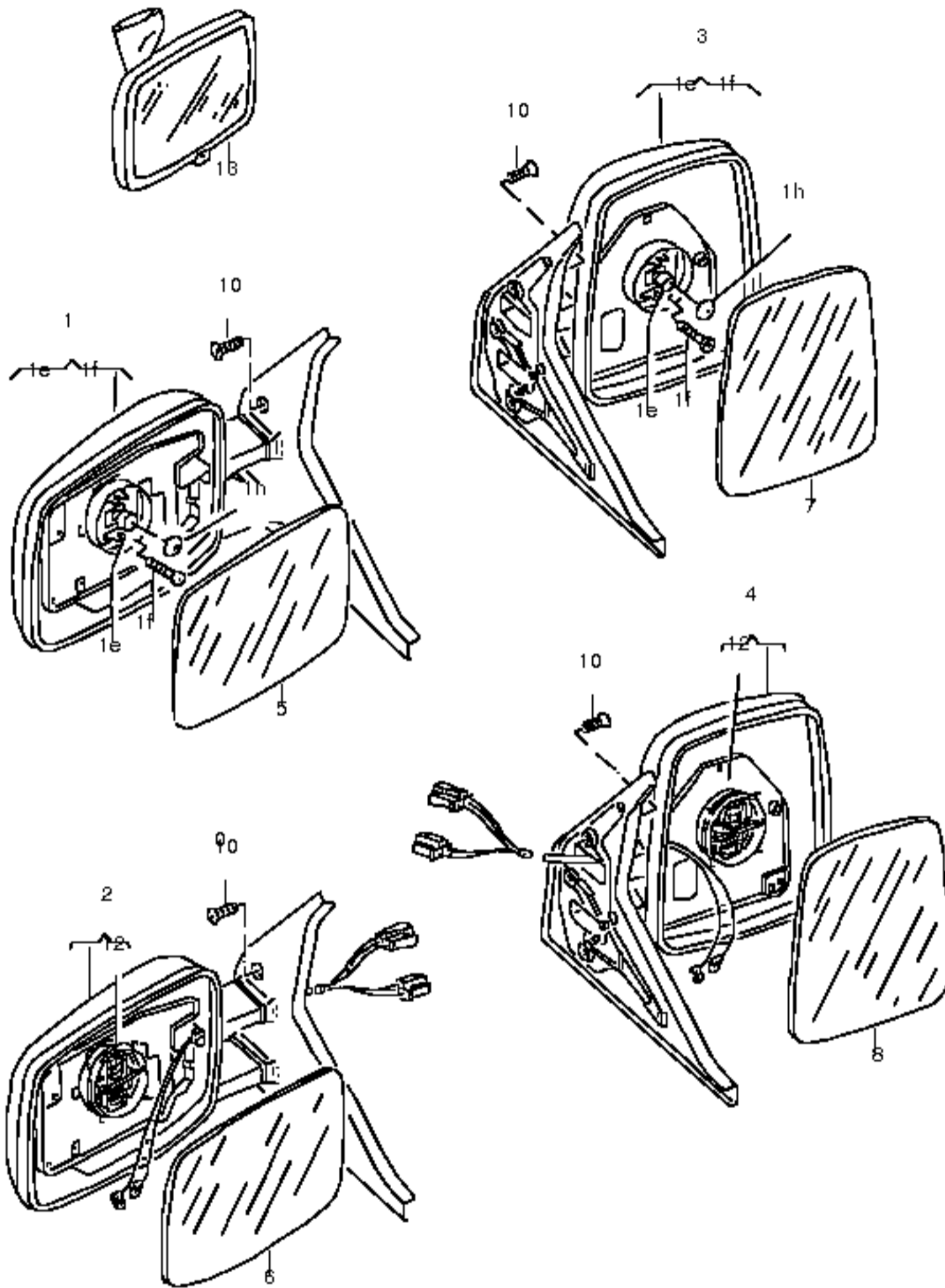
15 N 01100624
hexagonal nut / M6

16 N 0102706
hexagonal head bolt / M8X40

17 N 01152520
washer / A8,4X16X1,6
spacer sleeve / 14X2,5X21MM
no replacement part

19 N 0303991
rivetted cap nut / M8E

20 N 90437401
pop-rivet / A4,8X10



rear view mirror

1 701857507F

rear view mirror housing / left lhd
701857507F 01C satin black

(1) 702857508F

rear view mirror housing / right rhd
702857508F 01C satin black

1E 701858595

ball pin
no replacement part / M3X15

1H 701858597

friction washer

2 701857507H

rear view mirror housing / left lhd
for rear view mirror, electrically operated and heated
701857507H 01C satin black

(2) 7D1857507

rear view mirror housing / left lhd
for rear view mirror, electrically operated and heated
7D1857507 GRU primed

(2) 7D1857507H

rear view mirror housing / left lhd
for rear view mirror, electrically operated and heated
7D1857507H GRU primed

(2) 702857508H

rear view mirror housing / right rhd
for rear view mirror, electrically operated and heated
702857508H 01C satin black

(2) 7D2857508

rear view mirror housing / right rhd
for rear view mirror, electrically operated and heated
7D2857508 GRU primed

(3) 702857507F

rear view mirror housing / left rhd
702857507F 01C satin black

3 701857508F

rear view mirror housing / right lhd
701857508F 01C satin black

(4) 702857507H

rear view mirror housing / left rhd
for rear view mirror, electrically operated and heated
702857507H 01C satin black

(4) 7D2857507

rear view mirror housing / left rhd
for rear view mirror, electrically operated and heated
7D2857507 GRU primed

4 701857508H

rear view mirror housing / right lhd
for rear view mirror, electrically operated and heated
701857508H 01C satin black

(4) 7D1857508

rear view mirror housing / right lhd
for rear view mirror, electrically operated and heated
7D1857508 GRU primed

(4) 7D1857508M

rear view mirror housing / right lhd
for rear view mirror, electrically operated and heated
7D1857508M GRU primed

5 701857521H

mirror glass (convex) with carrier plate / left lhd

(5) 701857521J

mirror glass (flat) with plate / left lhd

(5) 701857521P

mirror glass (aspherical- wide angle) with plate / left lhd

(5) 701857522H

mirror glass (convex) with carrier plate / right rhd

(5) 701857522J

mirror glass (flat) with plate / right rhd

(5) 702857522

mirror glass (aspherical- wide angle) with plate / right rhd

6 701857521A

mirror glass (flat) with plate / left lhd
for rear view mirror, electrically operated and heated

(6) 701857521B

mirror glass (convex) with carrier plate / left lhd
for rear view mirror, electrically operated and heated

(6) 701857521Q

mirror glass (aspherical- wide angle) with plate / left lhd
for rear view mirror, electrically operated and heated

(6) 701857522A

mirror glass (flat) with plate / right rhd
for rear view mirror, electrically operated and heated

(6) 701857522B

mirror glass (convex) with carrier plate / right rhd
for rear view mirror, electrically operated and heated

(6) 702857522A

mirror glass (aspherical- wide angle) with plate / right rhd
for rear view mirror, electrically operated and heated

(7) 701857521K

mirror glass (convex) with carrier plate / left rhd

(7) 701857522L

mirror glass (convex) with carrier plate / right lhd

(7) 7D1857522E

mirror glass (convex) with carrier plate / right lhd
with inscription in language: / arabic

(8) 701857521F

mirror glass (convex) with carrier plate / left rhd
for rear view mirror, electrically operated and heated

8 701857522G

mirror glass (convex) with carrier plate / right lhd
for rear view mirror, electrically operated and heated

(8) 7D1857522D

mirror glass (convex) with carrier plate / right lhd
for rear view mirror, electrically operated and heated
with inscription in language: / arabic

10 N 0330421

oval head countersunk bolt / M6X18

(10) N 10128201

oval head countersunk bolt, self-locking / M6X30

12 357959577A

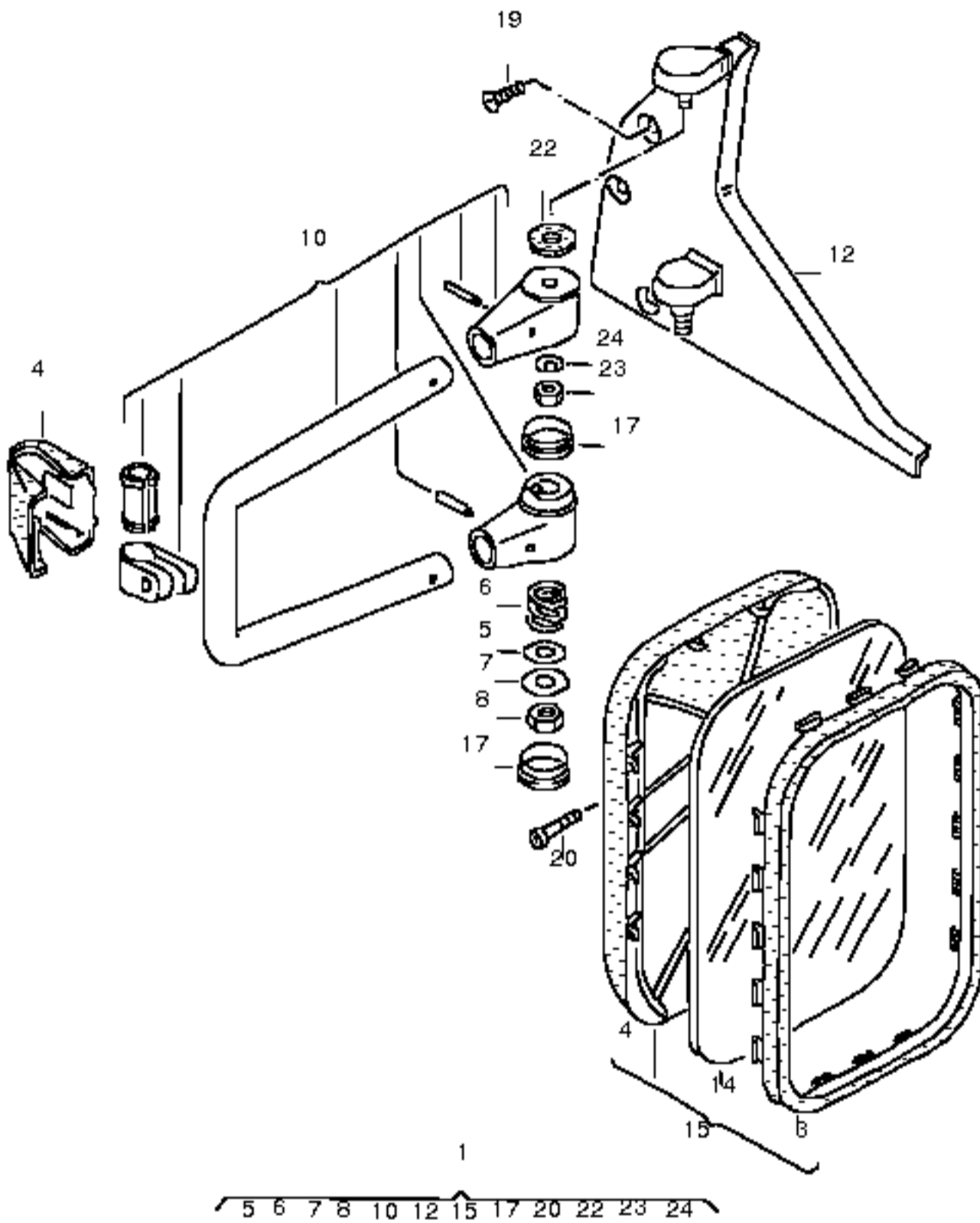
adjuster with motor for rear view mirror

13 701857511A

rear view mirror, interior anti-dazzle
701857511A 01C satin black
701857511A 01C satin black / deliv. van,
/ estate car;
/ pick-up
/ double cab

(13) 7D0857511

rear view mirror, interior anti-dazzle / bus
7D0857511 Y20 pearl grey
7D0857511 8YS light beige



rear view mirror

(1) 7D0857501

rear view mirror (convex) complete with bracket / left / pick-up
/ double cab

(1) 7D0857501A

rear view mirror (convex) complete with bracket / left / deliv. van,
/ estate car;
/ bus

(1) 7D0857502

rear view mirror (convex) complete with bracket / right / pick-up
/ double cab

(1) 7D0857502A

rear view mirror (convex) complete with bracket / right / deliv. van,
/ estate car;
/ bus

(1) 7D2857502F

rear view mirror (flat) complete with bracket / right / pick-up
/ double cab

3 701857516B

trim ring for rear view mirror / PR-3AQ,3BL

(3) 701857516C

trim ring for rear view mirror / right / PR-3AZ

4 701857519

covering

5 701857524

washer

6 701857530

spring

7 281857534

washer

8 N 10080401

hexagonal nut / BM12X1,25

10 701857525

arm / left

(10) 701857526

arm / right

(10) 701857525

arm / left / deliv. van,
adapt with workshop equipment / estate car;
/ bus

(10) 701857526

arm / right / deliv. van,
adapt with workshop equipment / estate car;
/ bus

12 701857535

basic plate / left

(12) 701857536

basic plate / right

(14) 7D0857587

mirror glass (convex)

(14) 7D0857587A

mirror glass (flat) / right

(15) 7D0857547

rear view mirror (convex)

(15) 7D0857547A

rear view mirror (flat) / right

17 701857573

cap

(19) N 0330421

oval head countersunk bolt / M6X18

(19) N 10128201

oval head countersunk bolt, self-locking / M6X30

20 N 0147432

allen key head bolt / M6X30

22 701858543

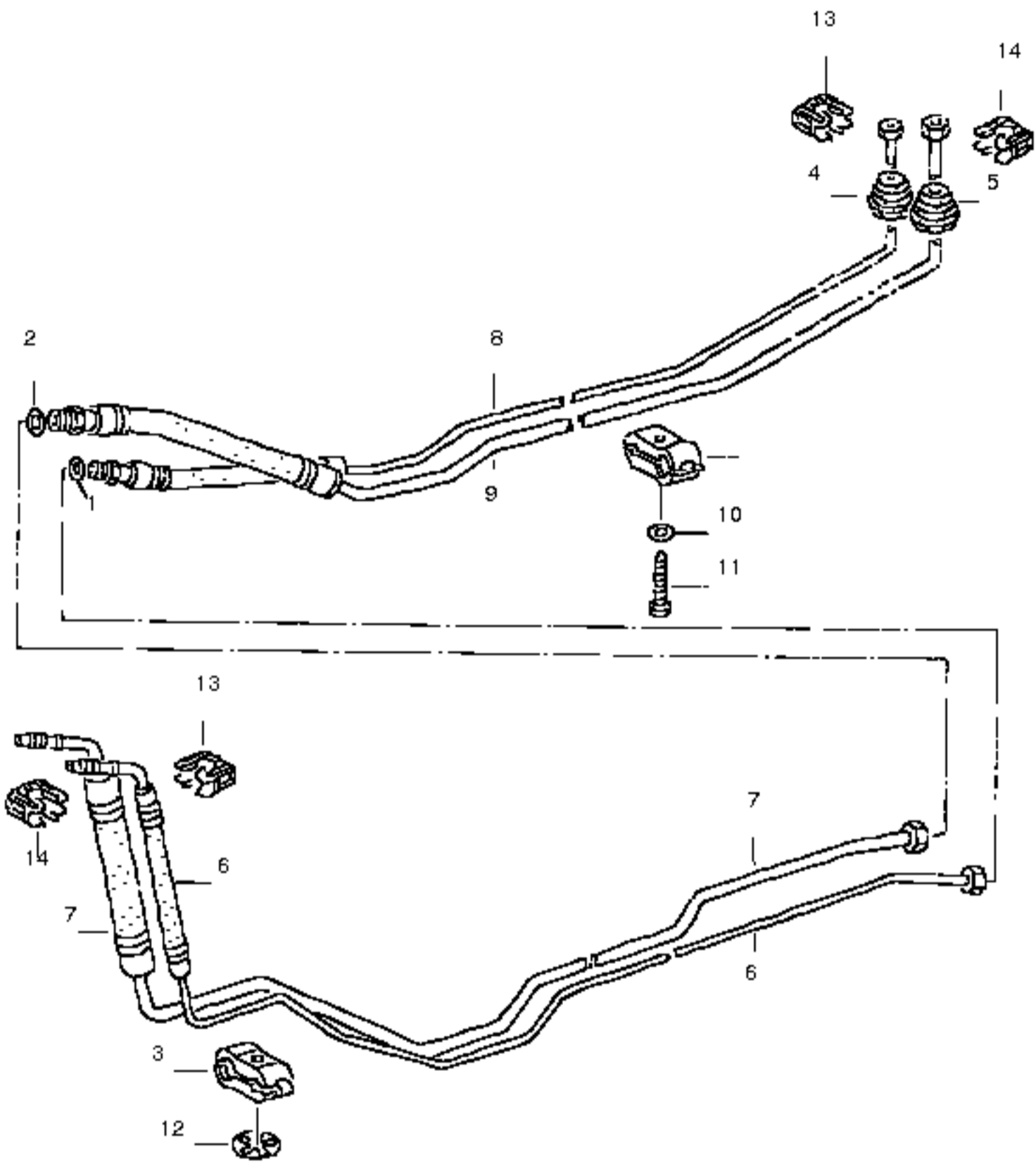
washer

23 N 0111849

hexagon nut, self-locking / M8

24 481837943

concave spring washer



refrigerant circuit
for vehicles with 2nd evaporator

1 8A0260749AK
round seal / 7,6X11,16

(2) 8E0260749D
round seal / 14X1,8

3 701820774A
dual clip

4 701820751
grommet / 42X8X33

5 701820751A
grommet / 42X12X33

(6) 7D1820885B
refrigerant pipe / lhd

(6) 7D2820885
refrigerant pipe / rhd

(7) 7D1820886
refrigerant pipe / lhd

(7) 7D2820886
refrigerant pipe / rhd

(8) 7D3820887A
refrigerant pipe
for models with wheelbase: / 3320MM

(8) 7D1820887A
refrigerant pipe
for models with wheelbase: / 2920MM

(9) 7D3820888
refrigerant pipe
for models with wheelbase: / 3320MM

(9) 7D1820888
refrigerant pipe
for models with wheelbase: / 2920MM

10 N 0116644
washer / B4,3X12X1

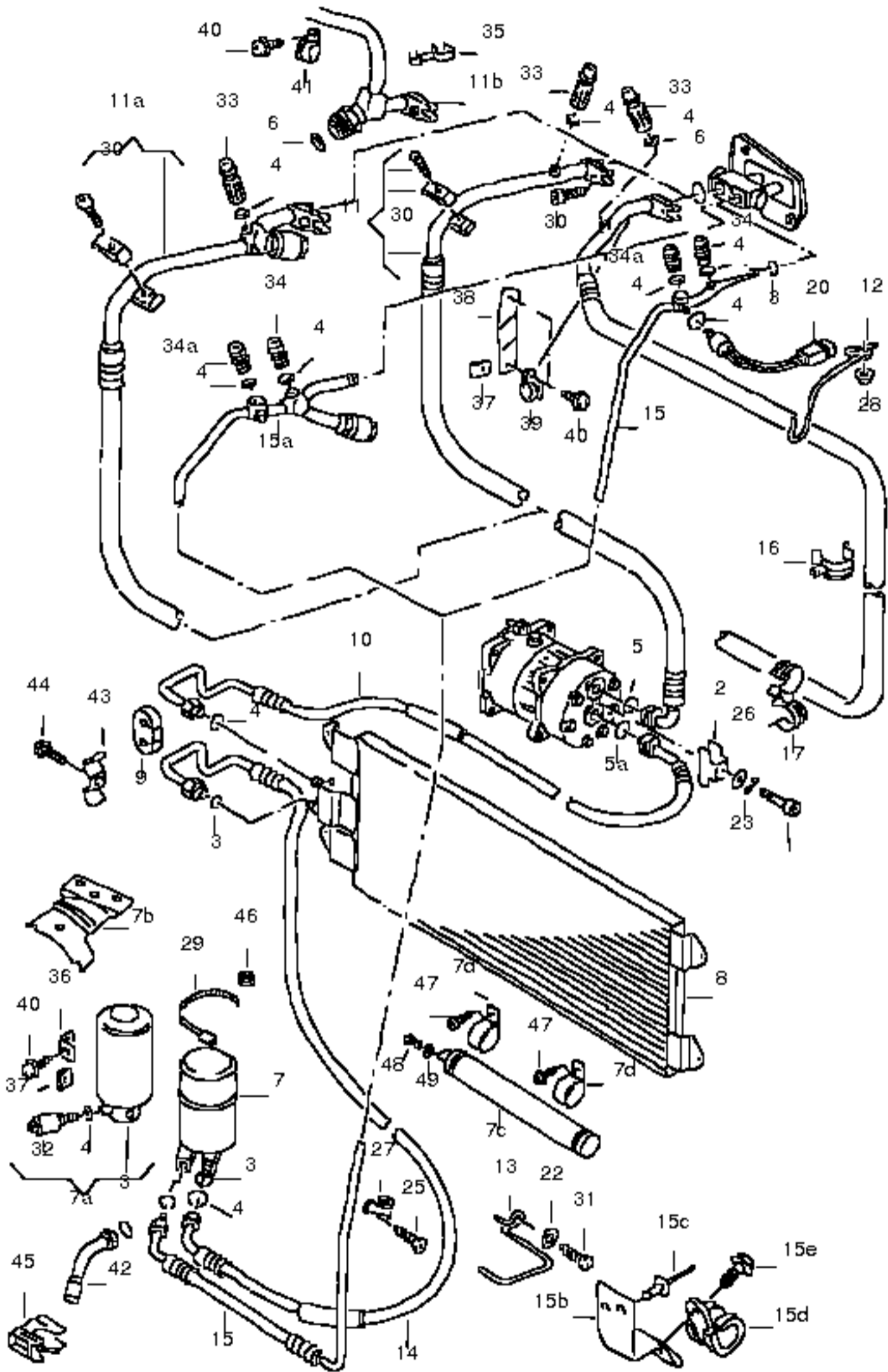
11 N 0139383
oval head panel screw / B4,8X38

12 N 90335004
clamping washer / 5X30

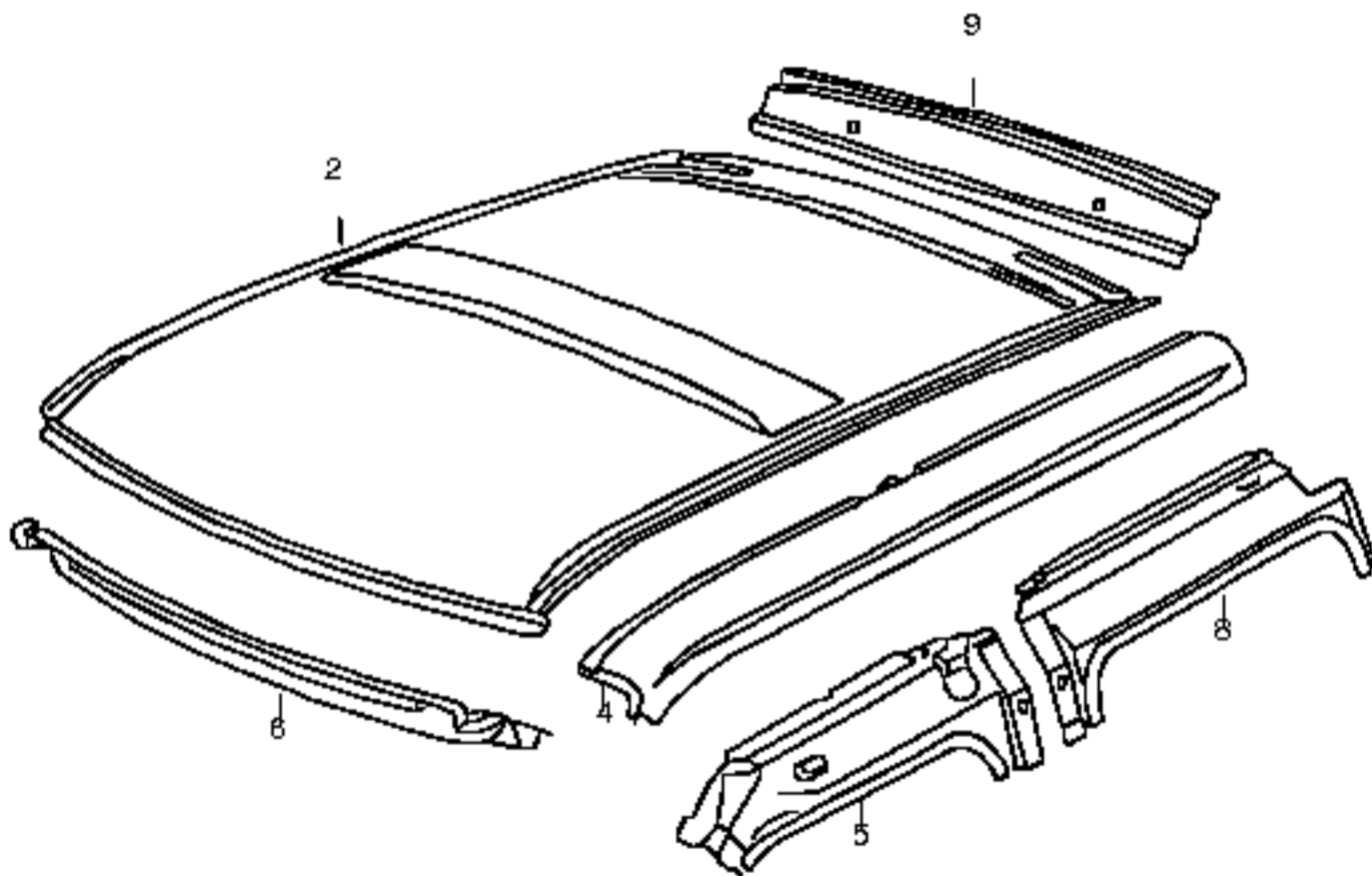
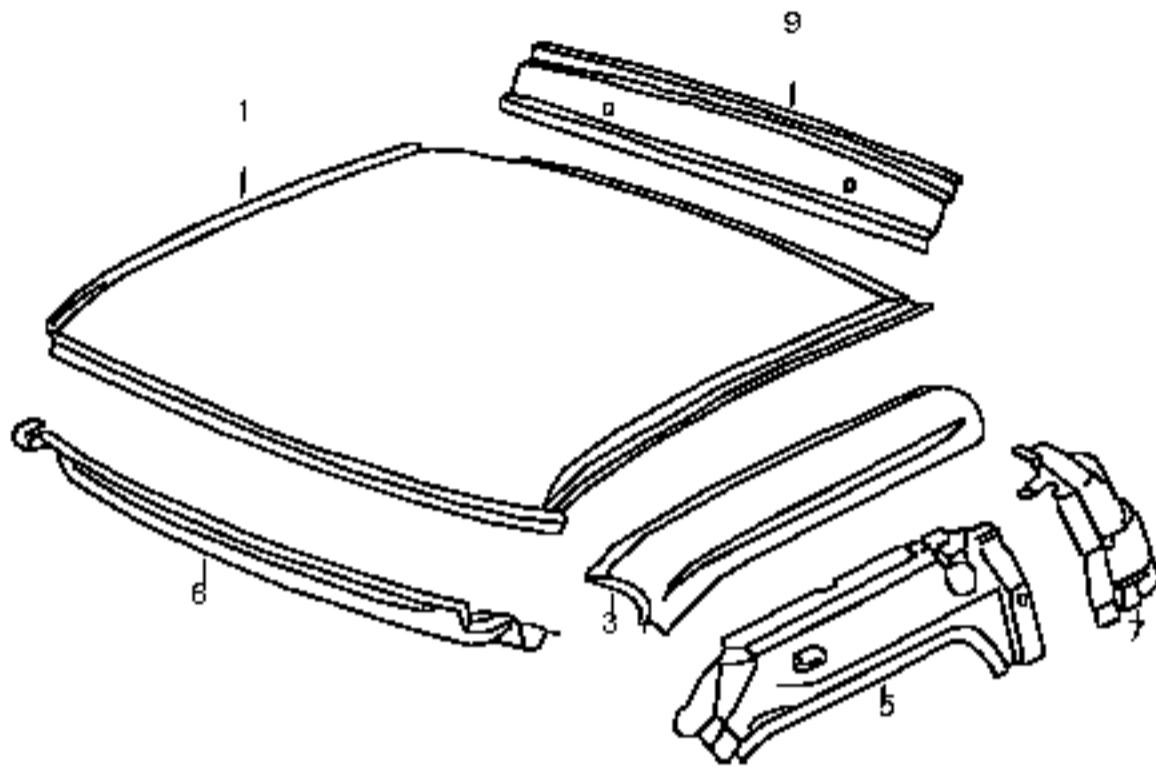
13 701820759A
securing clip / lhd
/ rhd

14 701820759B
securing clip

- 357971461
heat insulating / AET,AEU,AES, / APL,AVT



- refrigerant condenser
 - fluid container with connecting parts
 - refrigerant condenser / 5 cylinder:
 - fluid container with connecting parts / AET,AEU,APL, / AVT, / diesel eng.: / ACV,AJA,AJT, / AHY,AXG,AYC, / AYY, / automatic: / AUF, / 6 cylinder: / AES,AMV
- (1) N 90384202
 - allen key head bolt (combi) / M8X24-Z1
- for refrigerant compressor / 7D0 820 805 G / 7D0 820 805 H
- I N 90415102
 - allen key head bolt (combi) / 10X32
- for refrigerant compressor / 7D0 820 805 E / 7D0 820 805 / 2D0 820 805 B
- 3 8A0260749AK
 - round seal / 7,6X11,16
- (4) 8E0260749
 - round seal / 10,8X1,82
- 7D0820749
 - seal / 10,80X1,78
- 5 IH0820749G
 - round seal / 20,35X1,78 / AAC
- 5 IH0820749G
 - round seal / 20,35X1,78
 - F >> 70-Y-089 497* / AET,AEU,AJA, / manual- gearbox: / ACV
- (5) IJ0820749
 - round seal / 14,3X2,4
 - F >> 70-Y-089 497* / AJT, / automatic: / ACV
- (5) IJ0820749
 - round seal / 14,3X2,4 / AUF,AYY
 - F 70-Y-089 498>>* / ACV,AJT
- 5 IH0820749G
 - round seal / 20,3X1,8
 - F 70-Y-089 498>>* / lhd / AET,AEU,AJA
- (5) IJ0820749
 - round seal / 14,3X2,4
 - F 70-Y-089 498>>* / rhd / AET,AEU,AJA
- (5) IJ0820749
 - round seal / 14,3X2,4 / AHY,AXG,APL, / AVT,AYC,AXL
- 5 IH0820749G
 - round seal / 20,3X1,8 / AES
- (5) IJ0820749
 - round seal / 14,3X2,4 / AMV
- 5 IH0820749G
 - round seal / 20,3X1,8
 - for refrigerant compressor / 2D0 820 805 B
- 5A IH0820749G
 - round seal / 20,3X1,8 / AAC
- 5A IH0820749G
 - round seal / 20,3X1,8
 - F >> 70-Y-089 497* / AET,AEU,AJA, / manual- gearbox: / ACV
- (5A) 8E0260749
 - round seal / 10,8X1,82
 - F >> 70-Y-089 497* / AJT, / automatic: / ACV
- (5A) 8E0260749
 - round seal / 10,8X1,82 / AUF,AYY
 - F 70-Y-089 498>>* / ACV,AJT
- 5A IH0820749G
 - round seal / 20,3X1,8
 - F 70-Y-089 498>>* / lhd / AET,AEU,AJA
- (5A) 8E0260749
 - round seal / 10,8X1,82
 - F 70-Y-089 498>>* / rhd / AET,AEU,AJA
- (5A) 8E0260749
 - round seal / 10,8X1,82 / AHY,AXG,APL, / AVT,AYC,AXL
- 5A IH0820749G
 - round seal / 20,3X1,8 / AES
- (5A) 8E0260749
 - round seal / 10,8X1,82 / AMV
- 5A IH0820749G
 - round seal / 20,3X1,8
 - for refrigerant compressor / 2D0 820 805 B
- 6 IJ0820749B
 - round seal / 17X1,8
- (7) 7D1820191
 - drier / lhd / PR-ACO
 - for vehicles with manually regulated air conditioner
- (7) 7D1820191A
 - drier
 - F >> 70-Y-089 497* / lhd / PR-AC1:AES, / AET,AEU,AJA, / ACV,AJT,APL, / AUF
- (7A) 702820191A
 - drier / rhd
- 7B 701820197
 - bracket for drier / lhd / PR-ACO
 - for vehicles with manually regulated air conditioner
- 7C 7D0820191
 - drier
 - F >> 70-Y-089 497* / PR-AC1:AHY
- 7C 7D0820191
 - drier
 - F 70-Y-089 498>>* / lhd / PR-AC1
- 7D 7D0820999
 - retainer
 - F >> 70-Y-089 497* / PR-AC1:AHY
- 7D 7D0820999
 - retainer
 - F 70-Y-089 498>>* / lhd / PR-AC1
- 8 7D0820413A
 - refrigerant condenser / PR-ACO
 - for vehicles with manually regulated air conditioner
- (8) 7D0820413B
 - refrigerant condenser / rhd / PR-AC1
 - for vehicles with air condit.
- (8) 7D0820413B
 - refrigerant condenser
 - for vehicles with air condit.
 - F >> 70-Y-089 497* / lhd / PR-AC1:AES, / AET,AEU,AJA, / ACV,AJT,APL, / AUF
- (8) 7D0820413
 - refrigerant condenser
 - F >> 70-Y-089 498* / lhd / PR-AC1:AHY
- (8) 7D0820413
 - refrigerant condenser
 - F 70-Y-089 498>>* / lhd / PR-AC1
- 9 701820418A
 - gasket / PR-ACO
- (10) 7D0820721AC
 - refrigerant hose
 - (refrigerant compressor > refrigerant condenser)
 - for vehicles with manually regulated air conditioner
 - use if required: / 8E0 260 749
 - F >> 70-Y-089 497* / rhd / PR-ACO:
 - / manual- gearbox: / AJA
- (10) 7D0820721M
 - refrigerant hose
 - (refrigerant compressor > refrigerant condenser)
 - for vehicles with manually regulated air conditioner
 - use if required: / 8E0 260 749
 - F 70-Y-089 498>>* / rhd / PR-ACO:AJA
- (10) 7D0820721AA
 - refrigerant hose / lhd / PR-ACO:AJA
 - (refrigerant compressor > refrigerant condenser)
 - for vehicles with manually regulated air conditioner
 - use if required: / 8E0 260 749
- (10) 7D0820721L
 - refrigerant hose
 - (refrigerant compressor > refrigerant condenser)
 - for vehicles with manually regulated air conditioner
 - F >> 70-Y-089 497* / PR-ACO
 - / manual- gearbox: / AJT
- (10) 7D0820721M
 - refrigerant hose / PR-ACO:AYY
 - (refrigerant compressor > refrigerant condenser)
 - for vehicles with manually regulated air conditioner
 - F 70-Y-089 498>>* / PR-ACO:AJT
- (10) 7D0820721T
 - refrigerant hose
 - (refrigerant compressor > refrigerant condenser)
 - for vehicles with manually regulated air conditioner
 - use if required: / 8E0 260 749
 - F >> 70-Y-089 497* / PR-ACO:
 - / manual- gearbox: / AET,AEU
- (10) 7D0820721T
 - refrigerant hose
 - (refrigerant compressor > refrigerant condenser)
 - for vehicles with manually regulated air conditioner
 - use if required: / 8E0 260 749
 - F 70-Y-089 498>>* / lhd / PR-ACO: / manual- gearbox: / AET,AEU
- (10) 7D0820721M
 - refrigerant hose
 - (refrigerant compressor > refrigerant condenser)
 - for vehicles with manually regulated air conditioner
 - use if required: / 8E0 260 749
 - F 70-Y-089 498>>* / rhd / PR-ACO:AET, / AEU
- (10) 7D0820721AC
 - refrigerant hose / PR-ACO:
 - (refrigerant compressor > refrigerant condenser) / automatic: / AET,AEU
 - for vehicles with manually regulated air conditioner
 - use if required: / 8E0 260 749
- (10) 7D0820721M
 - refrigerant hose / PR-ACO:APL,
 - (refrigerant compressor > refrigerant condenser) / AVT
 - for vehicles with manually regulated air conditioner
 - use if required: / 8E0 260 749
- (10) 7D0820721T
 - refrigerant hose
 - (refrigerant compressor > refrigerant condenser)
 - for vehicles with manually regulated air conditioner
 - use if required: / 8E0 260 749
 - F >> 70-Y-089 497* / PR-ACO: / manual- gearbox: / ACV
- (10) 7D0820721M
 - refrigerant hose
 - (refrigerant compressor > refrigerant condenser)
 - for vehicles with manually regulated air conditioner
 - use if required: / 8E0 260 749
 - F 70-Y-089 498>>* / PR-ACO: / manual- gearbox: / ACV
- (10) 7D0820721M
 - refrigerant hose
 - (refrigerant compressor > refrigerant condenser)
 - for vehicles with manually regulated air conditioner
 - use if required: / 8E0 260 749
 - F >> 70-Y-000 001>>* / automatic: / PR-ACO:ACV
- (10) 7D0820721M
 - refrigerant hose
 - (refrigerant compressor > refrigerant condenser)
 - for vehicles with manually regulated air conditioner
 - use if required: / 8E0 260 749
 - F 70-Y-000 002>>*70-1-200 000* / PR-ACO: / automatic: / AUF
- (10) 7D0820721M
 - refrigerant hose
 - (refrigerant compressor > refrigerant condenser)
 - for vehicles with manually regulated air conditioner
 - use if required: / 8E0 260 749
 - F 70-1-200 001>>* / PR-ACO:AYC
- (10) 7D0820721K
 - refrigerant hose / PR-AC1:APL,
 - (refrigerant compressor > refrigerant condenser) / AVT,AJT,AYY
 - use if required: / 8E0 260 749
- (10) 7D0820721AB
 - refrigerant hose
 - (refrigerant compressor > refrigerant condenser)
 - use if required: / 8E0 260 749
 - F >> 70-Y-089 497* / manual- gearbox: / PR-AC1:ACV
- (10) 7D0820721K
 - refrigerant hose
 - (refrigerant compressor > refrigerant condenser)
 - use if required: / 8E0 260 749
 - F 70-Y-089 498>>* / manual- gearbox: / PR-AC1:ACV
- (10) 7D0820721K
 - refrigerant hose
 - (refrigerant compressor > refrigerant condenser)
 - use if required: / 8E0 260 749
 - F >> 70-Y-000 001* / automatic: / PR-AC1:ACV
- (10) 7D0820721K
 - refrigerant hose
 - (refrigerant compressor > refrigerant condenser)
 - use if required: / 8E0 260 749
 - F 70-Y-000 002>>*70-1-200 000* / automatic: / PR-AC1:AUF
- (10) 7D0820721K
 - refrigerant hose
 - (refrigerant compressor > refrigerant condenser)
 - use if required: / 8E0 260 749
 - F 70-Y-000 001>>* / PR-AC1:AYC
- (10) 7D0820721AB
 - refrigerant hose
 - (refrigerant compressor > refrigerant condenser)
 - use if required: / 8E0 260 749
 - F >> 70-Y-089 497* / PR-AC1:AJA, / AET,AEU
- (10) 7D0820721AB
 - refrigerant hose
 - (refrigerant compressor > refrigerant condenser)
 - use if required: / 8E0 260 749
 - F 70-Y-089 498>>* / lhd / PR-AC1:AJA, / AET,AEU
- (10) 7D0820721K
 - refrigerant hose
 - (refrigerant compressor > refrigerant condenser)
 - use if required: / 8E0 260 749
 - F 70-Y-089 498>>* / rhd / PR-AC1:AET, / AEU,AJA
- (10) 7D0820721H
 - refrigerant hose / PR-AC1:AHY,
 - (refrigerant compressor > refrigerant condenser) / AXG
 - use if required: / 8E0 260 749
 - / POS.4
- (10) 7D0820721S
 - refrigerant hose
 - (refrigerant compressor > refrigerant condenser)
 - also use: / N 020 902 2
 - F >> 70-1-014 327* / PR-AC1:AES
- (10) 7D0820721AD
 - refrigerant hose
 - (refrigerant compressor > refrigerant condenser)
 - use if required: / 8A0 260 749 AJ
 - F 70-1-014 328>>*70-2-000 001* / PR-AC1:AMV
- (10) 7D0820721AE
 - refrigerant hose
 - (refrigerant compressor > refrigerant condenser)
 - use if required: / 8A0 260 749 AJ
 - F 70-2-000 002>>* / PR-AC1:AMV
- (11) 7D1820729Q
 - refrigerant hose / lhd / AJT,AYY
 - (expansion valve > refrigerant compressor)
 - for vehicles with manually regulated air conditioner
- (11) 7D1820729
 - refrigerant hose
 - (expansion valve > refrigerant compressor)
 - for vehicles with manually regulated air conditioner
 - F >> 70-Y-089 497* / lhd / manual- gearbox: / ACV
- (11) 7D1820729Q
 - refrigerant hose
 - (expansion valve > refrigerant compressor)
 - for vehicles with manually regulated air conditioner
 - F 70-Y-089 498>> / lhd / manual- gearbox: / ACV
- (11) 7D1820729Q
 - refrigerant hose
 - (expansion valve > refrigerant compressor)
 - for vehicles with manually regulated air conditioner
 - F >> 70-Y-000 001* / lhd / automatic: / ACV
- (11) 7D1820729Q
 - refrigerant hose
 - (expansion valve > refrigerant compressor)
 - for vehicles with manually regulated air conditioner
 - F 70-Y-000 002>>*70-1-200 000* / lhd / automatic: / AUF
- (11) 7D1820729Q
 - refrigerant hose
 - (expansion valve > refrigerant compressor)
 - for vehicles with manually regulated air conditioner
 - F 70-1-200 001>>* / lhd / AYC
- (11) 7D1820729B
 - refrigerant hose / lhd / AET,AEU,AJA
 - (expansion valve > refrigerant compressor)
 - for vehicles with manually regulated air conditioner
- (11) 7D1820729J
 - refrigerant hose / lhd / APL,AVT
 - (expansion valve > refrigerant compressor)
 - for vehicles with manually regulated air conditioner
- (11) 7D1820729D
 - refrigerant hose
 - (expansion valve > refrigerant compressor)
 - for vehicles with manually regulated air conditioner
 - F >> 70-Y-014 326* / lhd / PR-AC1:AES
- (11) 7D1820729AK
 - refrigerant hose
 - (expansion valve > refrigerant compressor)
 - for vehicles with manually regulated air conditioner
 - use if required: / IJ0 820 749 B
 - / IJ0 820 749 B
 - F 70-Y-014 327>>* / lhd / PR-AC1:AMV
- (11) 7D1820729G
 - refrigerant hose / PR-AC1:AHY,
 - (expansion valve > refrigerant compressor) / AXG
 - for vehicles with manually regulated air conditioner
 - use if required: / IJ0 820 749 B
 - / IJ0 820 749
- (11) 7D2820729
 - refrigerant hose
 - (expansion valve > refrigerant compressor)
 - for vehicles with manually regulated air conditioner
 - F >> 70-Y-014 326* / rhd / PR-AC1:AES
- (11) 7D2820729D
 - refrigerant hose
 - (expansion valve > refrigerant compressor)
 - for vehicles with manually regulated air conditioner
 - use if required: / IJ0 820 749 B
 - / IJ0 820 749 B
 - F 70-Y-014 327>>* / lhd / PR-AC1:AMV
- (11) 7D2820729M
 - refrigerant hose / rhd / AJT,APL,AVT
 - (expansion valve > refrigerant compressor)
 - for vehicles with manually regulated air conditioner
- (11) 7D2820729
 - refrigerant hose
 - (expansion valve > refrigerant compressor)
 - for vehicles with manually regulated air conditioner
 - F >> 70-Y-089 497* / rhd / manual- gearbox: / ACV
- (11) 7D2820729M
 - refrigerant hose
 - (expansion valve > refrigerant compressor)
 - for vehicles with manually regulated air conditioner
 - F 70-Y-089 498>>* / rhd / manual- gearbox: / ACV
- (11) 7D2820729M
 - refrigerant hose / rhd / AYC,AYY,
 - (expansion valve > refrigerant compressor) / automatic: / ACV,AUF
 - for vehicles with manually regulated air conditioner
- (11) 7D2820729
 - refrigerant hose
 - (expansion valve > refrigerant compressor)
 - for vehicles with manually regulated air conditioner
 - F >> 70-Y-089 497* / rhd / AET,AEU,AJA
- (11) 7D2820729M
 - refrigerant hose
 - (expansion valve > refrigerant compressor)
 - for vehicles with manually regulated air conditioner
 - F 70-Y-089 498>>* / rhd / AET,AEU,AJA
- 701820749H
 - seal / 12,93X1,85
 - / lhd
- (11A) 7D1820729S
 - refrigerant hose
 - (expansion valve > refrigerant compressor)
 - for vehicles with electronically regulated air condit.
 - for vehicles with 2nd evaporator
 - F >> 70-Y-089 497* / lhd / manual- gearbox: / ACV
- (11A) 7D1820729AH
 - refrigerant hose
 - (expansion valve > refrigerant compressor)
 - for vehicles with electronically regulated air condit.
 - for vehicles with 2nd evaporator
 - F 70-1-200 001>>* / lhd / AYC
- (11A) 7D1820729AH
 - refrigerant hose / lhd
 - (expansion valve > refrigerant compressor)
 - for vehicles with electronically regulated air condit.
 - for vehicles with 2nd evaporator
- (11A) 7D1820729AH
 - refrigerant hose / lhd / AYY
 - (expansion valve > refrigerant compressor)
 - for vehicles with electronically regulated air condit.
 - for vehicles with 2nd evaporator
- (11A) 7D1820729AA
 - refrigerant line
 - (expansion valve > refrigerant compressor)
 - for vehicles with electronically regulated air condit.
 - for vehicles with 2nd evaporator
 - F >> 70-Y-014 326* / lhd / PR-AC1:AES
- (11A) 7D1820729AF
 - refrigerant hose
 - (expansion valve > refrigerant compressor)
 - for vehicles with electronically regulated air condit.
 - for vehicles with 2nd evaporator
 - use if required: / 701 820 749 B
 - / IJ0 820 749 B
 - F 70-Y-014 327>>* / lhd / PR-AC1:AMV
- (11A) 7D1820729AJ
 - refrigerant hose / lhd / AET,AEU,AJA
 - (expansion valve > refrigerant compressor)
 - for vehicles with electronically regulated air condit.
 - for vehicles with 2nd evaporator
- (11A) 7D1820729AE
 - refrigerant hose / lhd / APL,AVT
 - (expansion valve > refrigerant compressor)
 - for vehicles with electronically regulated air condit.



roof / pick-up
/ double cab

1 707817111
roof for pick-up
roof / camp- mobile: make up from: / 707 817 111
adapt with workshop equipment / KARUSO,
/ CALIFORNIA-
/ EXCLUSIVE

2 729817021
roof for double cab

3 707817219
roof frame / left outer panel

(3) 707817220
roof frame / right outer panel

4 729817219
roof frame / left / double cab outer panel

(4) 729817220
roof frame / right / double cab outer panel

5 701817517A
roof frame / left front
adapt with workshop equipment / pick-up

(5) 701817518A
roof frame / right front
adapt with workshop equipment / pick-up

6 701817519A
roof frame / front center

7 707817557
roof frame filler plate / left rear

(7) 707817558
roof frame filler plate / right rear

8 729817557A
roof frame / left rear / double cab

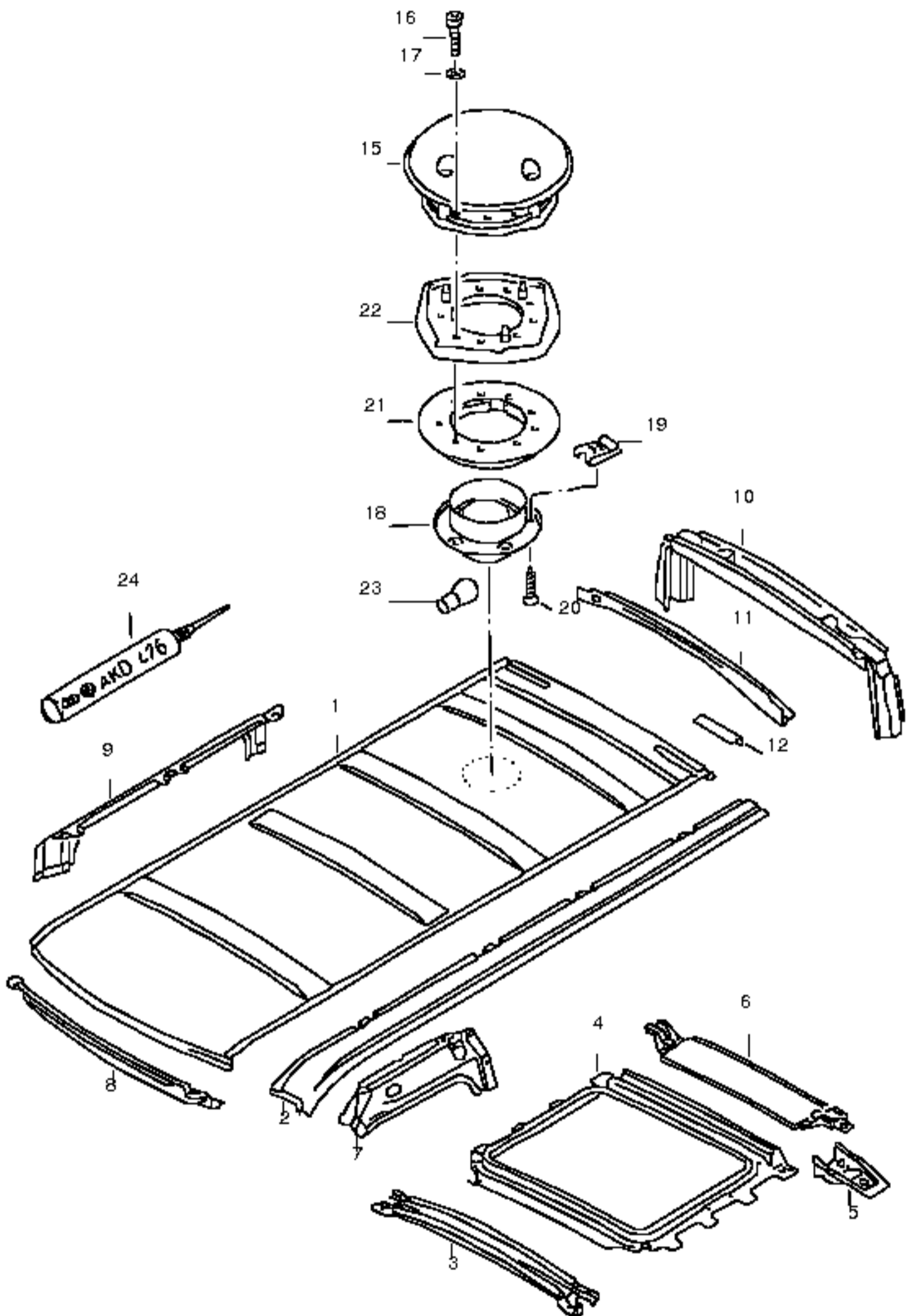
(8) 729817558A
roof frame / right rear / double cab

9 707817575
roof frame / rear

- N 90175701
weld pin 'order unit 100' / 5X12

- AKD476KD505
polyurethane- adhesive sealant / 300ML

- 357971908A
plug / 49,5



roof / bus

roof ventilador / kombi van

1 701817021G

roof for models with wheelbase: / 2920MM

also use: / 701 817 353

/ 703 817 353 / ambulance

see workshop manual

(1) 721817021J

roof for models with wheelbase: / 3320MM

also use: / 701 817 353

/ 703 817 353 / ambulance

see workshop manual

roof for models with electric sliding sunroof drivers cab cut out aperture for sliding roof

roof for models with electric sliding sunroof

passenger compartment)

unsuited for serv installat.)

please inquire when ordering

2 701817219

roof frame-outer panel / left

for models with wheelbase: / 2920MM

(2) 721817219

roof frame-outer panel / left

for models with wheelbase: / 3320MM

(2) 701817220

roof frame-outer panel / right

(2) 721817220

roof frame-outer panel / right

for models with wheelbase: / 3320MM

3 701817353

roof bow

(3) 703817353

roof bow / ambulance

frame for vehicles with glass sliding roof / electric / PR:3JG for passenger compartement

(not for service installation)

no replacement part

7 701817517A

roof frame / left front

(7) 701817518A

roof frame / right front

8 701817519A

roof frame / front center roof reinforcement / KDW-HANNOVER / "D..": / police

(9) 701817557C

roof frame / left side sliding door, left)

9 701817558D

roof frame / right side (sliding door, right)

10 701817565C

roof frame / rear for vehicles with tailgate/boot lid panel

(10) 701817565B

roof frame / rear for vehicles with wing doors

roof frame trim panel

see illustration: / 829-30

(11) 701817695B

filler plate / rear for vehicles with tailgate / boot lid

11 701817695C

filler plate / rear for vehicles with wing doors

15 281819973A

roof ventilator with motor

- 271959117A

cover cap

16 N 0141453

fillister hd. bolt / M6X30

17 N 01152423

washer / A6,4X12,5X1,6

18 253817547A

air duct trim with lighting for ventilation motor

19 N 0154281

snap nut / B2,9X11,8X8,1

20 N 0140831

oval hd. csk. self-tapp. screw / ST2,9X16-C

21 721817651

frame for roof ventilator

22 701817687

gasket

23 N 0177312

bulb / R12V18W

24 AKD476KD505

polyurethane- adhesive sealant / 300ML

- 357971908A

plug / 49,5

- 191971907

grommet / 46/39

roof frame / right rear

- 703817131

reinforcement / ambulance for rotating warning light

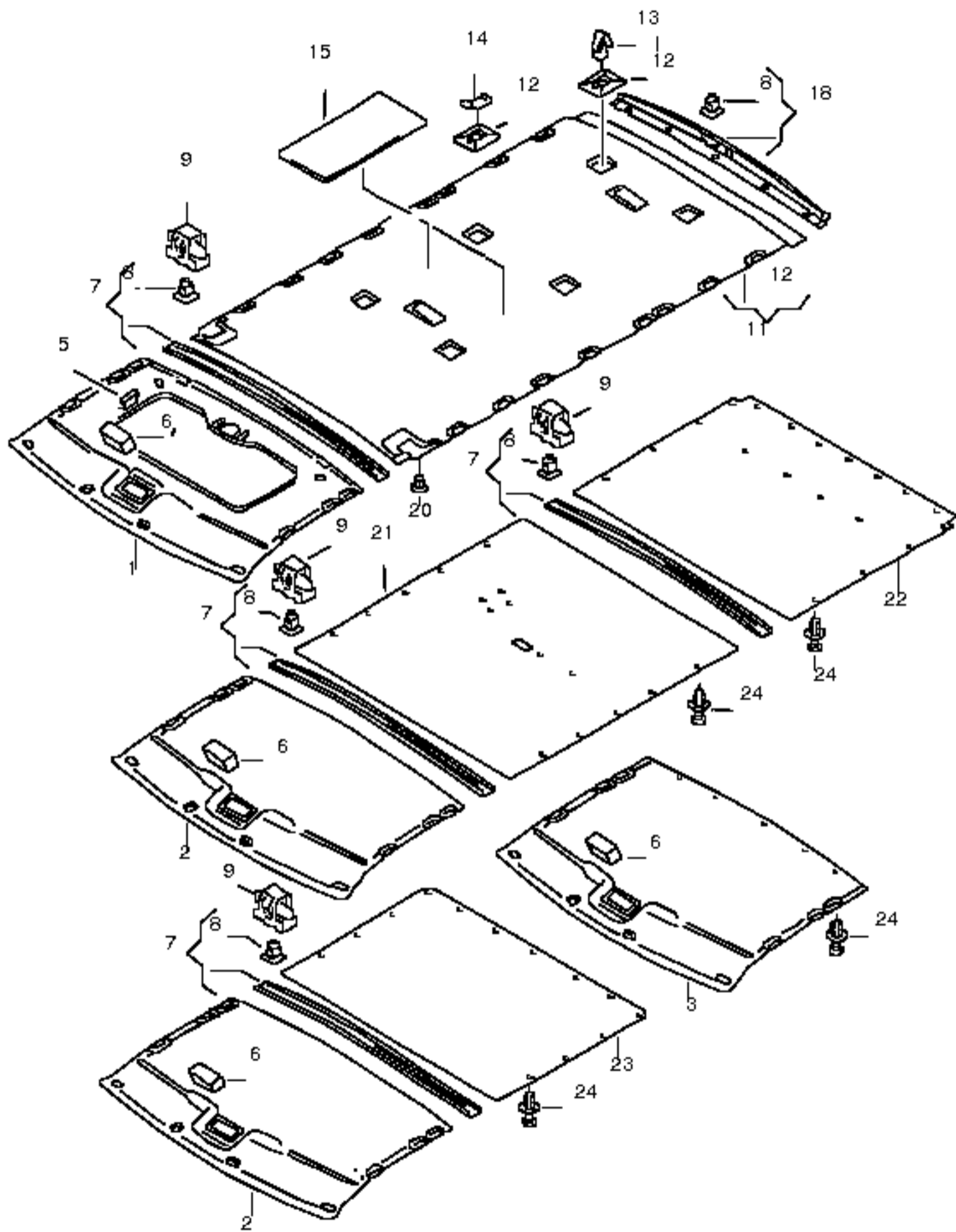
- 703817437

retaining bracket / rear

for moulded headlining

for vehicles with glass sliding roof

for models with wheelbase: / 3320MM



roof lining

1 7D0867501A

moulded headlining / front

for vehicles with glass sliding and tilting sunroof

7D0867501A S07 sahara

7D0867501A X59 pearl grey

7D0867501A 23Y light beige / -KS,VH

2 7D0867501

moulded headlining / front

7D0867501 S07 sahara

7D0867501 X59 pearl grey

7D0867501 23Y light beige / -KS,VH

3 707867501

moulded headlining / front / pick-up

707867501 X59 pearl grey

5 N 10307401

clips / A13X8,3

6 705868835

foam packing (self-adhesive)

- 1H0867599

frame for interior light / front

for models with glass sliding sunroof

7 705868551

cover strip for roof lining

705868551 8YS light beige / -KS,NA,VH,YR

705868551 5YX beige / -BT,NB / ambulance

(7) 7D0868551

cover strip for roof lining

7D0868551 Y20 pearl grey

7D0868551 1YX flint grey / delivery van / kombi van / double cab

7D0868551 5YX beige / -BT,NB / ambulance

7D0868551 8YS light beige / -KS,NA,VH,YR

8 701867549

clip

9 701868557

clips

11 7D1867503

moulded headlining / rear

for models with wheelbase: / 2920MM

7D1867503 S07 sahara

7D1867503 X59 pearl grey

7D1867503 23Y light beige / -KS,VH

(11) 7D1867503A

moulded headlining / rear

for models with glass sliding sunroof

for models with wheelbase: / 2920MM

7D1867503A S07 sahara

7D1867503A X59 pearl grey

(11) 7D1867503H

moulded headlining / rear / PR-9CP

for models with glass sliding sunroof

for models with wheelbase: / 2920MM

7D1867503H X59 pearl grey

7D1867503H 23Y light beige

(11) 7D1867503G

moulded headlining / rear / PR-9CG/9CW

for models with glass sliding sunroof

for models with wheelbase: / 2920MM

7D1867503G X59 pearl grey

7D1867503G 23Y light beige

(11) 7D1867499

moulded headlining / rear / PR-9CN,

for vehicles with 2nd evaporator / air condit.

for vehicles with passenger comp. ventilation

for models with wheelbase: / 2920MM

7D1867499 S07 sahara

7D1867499 23Y light beige / -KS,VH

(11) 7D1867499F

moulded headlining / rear / PR-9CN,

for vehicles with 2nd evaporator / air condit.

for vehicles with passenger comp. ventilation

for models with wheelbase: / 2920MM

7D1867499F X59 pearl grey

(11) 7D1867499H

moulded headlining / rear / PR-9CE/9CV,

for vehicles with 2nd evaporator / air condit.

for vehicles with passenger comp. ventilation

for models with wheelbase: / 2920MM

7D1867499H X59 pearl grey

7D1867499H 23Y light beige

(11) 7D3867503

moulded headlining / rear

for models with wheelbase: / 3320MM

7D3867503 S07 sahara

7D3867503 X59 pearl grey

(11) 7D3867503A

moulded headlining / rear

for vehicles with glass sliding roof

for models with wheelbase: / 3320MM

7D3867503A X59 pearl grey

(11) 7D3867503B

moulded headlining / rear

for vehicles with glass sliding roof

for models with wheelbase: / 3320MM

7D3867503B X59 pearl grey

(11) 725867499A

moulded headlining / rear / PR-0E2,5CJ

for vehicles with air condit.

for vehicles with passenger comp. ventilation

for models with wheelbase: / 3320MM

725867499A S07 sahara

725867499A X59 pearl grey

(11) 7D3867499F

moulded headlining / rear / PR-0E2,5CJ

for vehicles with air condit.

for vehicles with passenger comp. ventilation

for models with wheelbase: / 3320MM

7D3867499F X59 pearl grey

(11) 703867503

moulded headl. (leatherette) / rear / ambulance

for models with wheelbase: / 2920MM

703867503 P27 beige

12 705868561

retainer

13 705868563A

clip

14 705868564

clip

for models with glass sliding sunroof / rear

15 323863950

sound absorber (self-adhesive) 'order unit 6' / 550X250X2

18 705867625A

roof frame trim panel / rear

for vehicles with tailgate/boot lid panel

705867625A 2EN pearl grey

705867625A 6PE sahara

705867625A 28R light beige / -KS,VH

(18) 705867625C

roof frame trim panel / rear

for vehicles with wing doors

705867625C 2EN pearl grey

705867625C 6PE sahara

705867625C 28R light beige / -KS,VH

(18) 705867625E

roof frame trim panel / rear

for vehicles with tailgate/boot lid panel

for vehicles with 2nd evaporator / air condit.

for vehicles with passenger comp. ventilation

705867625E 2EN pearl grey

705867625E 6PE sahara

705867625E 28R light beige / -KS,VH

(18) 705867625G

roof frame trim panel / rear

for vehicles with wing doors

for vehicles with 2nd evaporator / air condit.

for vehicles with passenger comp. ventilation

705867625G 2EN pearl grey

705867625G 6PE sahara

705867625G 28R light beige / -KS,VH

(18) 7D0867625E

roof frame trim panel / kombi van 1

for vehicles with tailgate/boot lid panel

for vehicles with 2nd evaporator / air condit.

for vehicles with passenger comp. ventilation

7D0867625E Y20 pearl grey / -BX,LS

20 321867838

clip / ambulance

321867838 5YX beige

21 701867521

headlining (hardboard) / center

701867521 9ZW flint grey

22 701867527

headlining (hardboard) / rear

/ 915X1190

for models with wheelbase: / 2920MM

701867527 9ZW flint grey

(22) 721867527A

headlining (hardboard) / rear

/ 1315X1190

for models with wheelbase: / 3320MM

721867527A 9ZW flint grey

23 729867565

headlining (hardboard) / rear / double cab

729867565 9ZW flint grey

24 701867299

clip

701867299 1YX flint grey

701867299 U71 flannel grey

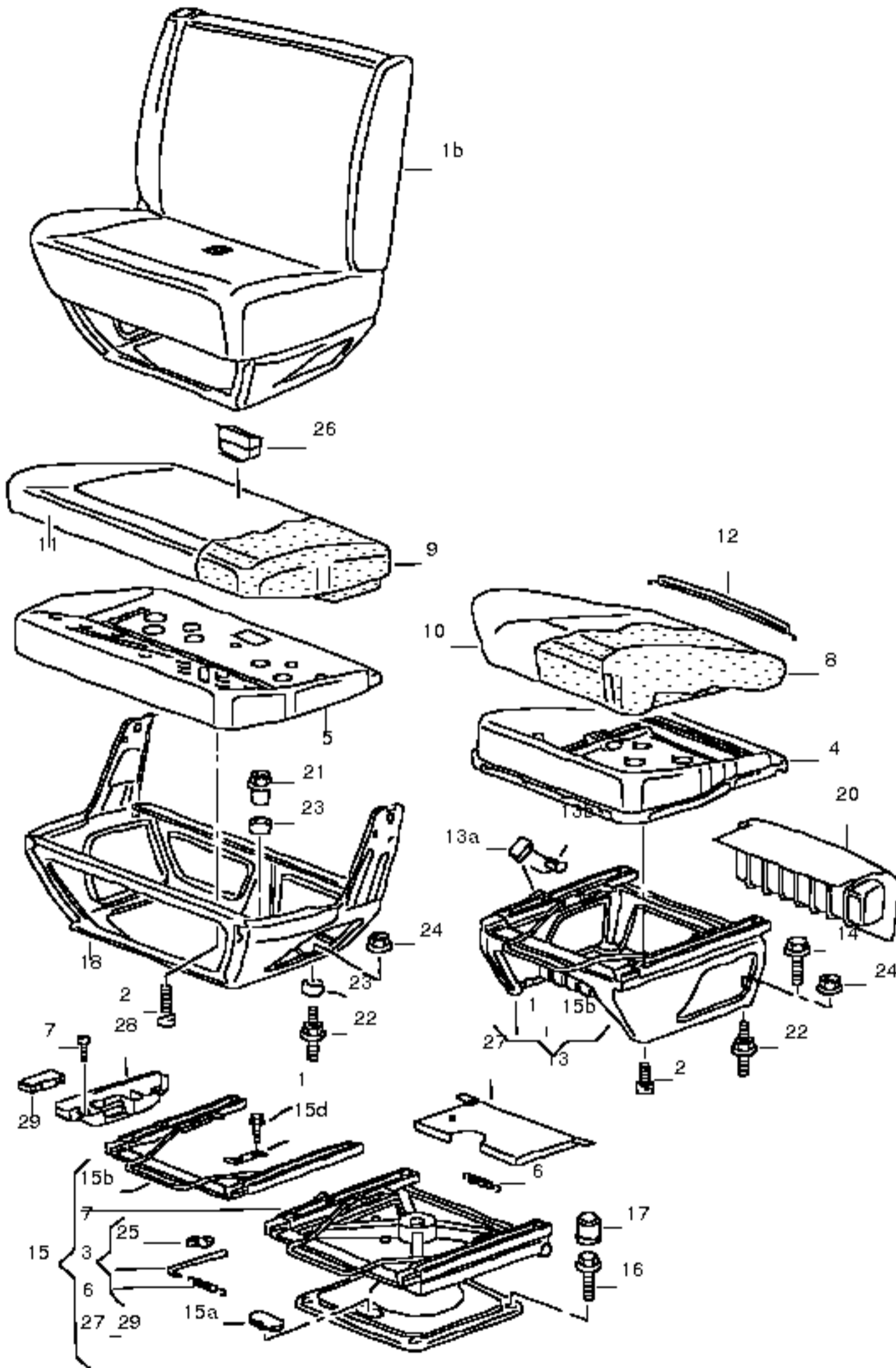
701867299 Q70 light beige

- 70B868871A

cover cap

- 70B868873A

cover cap



seat / front

1B 7D1881018QN
bench seat with backrest (cloth) / right / K4A/K4B/K4D/
/ 2 seater / K4E,L0L,N0A,
but without: / 3P1,3SJ,3TH/
head restraint / 3TN
armrest
7D1881018QNECP flannel grey / -BX

1 N 0147796
cheese head bolt / M8X20

2 N 90582902
bolt, with multi-spilne socket head / EM6X27

3 701898900
repair kit
grip for rotary lever

4 701881257
seat well

5 701881304C
seat well
for dual passenger seat

6 701881187
tension spring

7 N 90277602
panel screw / ST4,2X17
N 9027760202S off-black

8 701881375C
padding for seat

9 701881376A
padding for seat / 2 seater

10 701881405
seat cover (leatherette) / PR-N0C
701881405 EEK flannel grey / -LS,MA
701881405 9XW sahara / -NB

(10) 701881405P
seat cover (cloth/leatherette) / PR-N0J
701881405P EEN dark grey / -BU

(10) 701881405R
seat cover (cloth) / PR-N0A
701881405R EEM flannel grey / -BX
701881405R EEZ flannel grey / -AB

(10) 7D1881405A
seat cover (cloth) / PR-N2W
7D1881405A GWY lagoon / -TS
7D1881405A GWZ flannel grey / -TU
7D1881405A 9QH flannel grey / -TV

(10) 7D1881405
seat cover (cloth) / PR-N4V
7D1881405 EJF flannel grey / -WK

(10) 7D1881405B
seat cover (cloth) / PR-N4N
7D1881405B FBH grey brown/cactus / -WL,XL

(10) 705881405A
seat cover (cloth) / PR-N0F
705881405A EEW flannel grey / -BS,UF
705881405A EEX sahara / -BT,UG
705881405A EEY lagoon / -UE

(10) 7D0881405C
seat cover (leather/leatherette) / PR-N1X
heater element-seat
7D0881405C CLQ sahara / -VK
7D0881405C EQU lagoon / -VJ
7D0881405C ETU light beige / -VH

(10) 7D0881405D
seat cover (cloth) / PR-N0U
7D0881405D HQH lagoon / -KR
7D0881405D HYD light beige / -KS
7D0881405D HYE flannel grey / -KQ

(10) 7D0881405E
seat cover (cloth/leatherette) / PR-N0P
7D0881405E HQA flannel grey / -AQ
7D0881405E HQD lagoon / -AP

(10) 7D0881405F
seat cover (cloth) / PR-N2N
7D0881405F HUD flannel grey/dark grey / -RW
7D0881405F HUE flannel grey/red / -RX
7D0881405F HUF flannel grey/green / -RY
7D0881405F HUG flannel grey/blue / -RZ

(10) 7D0881405G
seat cover (cloth) / PR-N2Z
7D0881405G HRC flannel grey/blue / -22

(10) 7D0881405H
seat cover (cloth) / PR-N3D
7D0881405H KTH flannel grey / -UC

(10) 7D0881405L
seat cover (cloth) / PR-N2Z
7D0881405L MBP turquoise/flannel grey / -51

(10) 7D0881405J
seat cover (leather/leatherette) / PR-N7F
heater element-seat
7D0881405J KWB light beige / -YR
7D0881405J LQZ lagoon / -YQ

(10) 7D0881405K
seat cover (leatherette) / PR-N1S
7D0881405K SPE light beige / -NA

(10) 7D0881405N
seat cover (cloth) / PR-N2Z
7D0881405N PAC flannel grey / -41
7D0881405N PAH flannel grey/blue / -44
7D0881405N PAN flannel grey/red / -43

(10) 7D0881405Q
seat cover (leather/leatherette) / PR-N7F
7D0881405Q NWL flannel grey / -79
7D0881405Q NWL flannel grey / -89

(10) 7D0881405P
seat cover (leather/leatherette) / PR-N2Z
7D0881405P NWM flannel grey / -80

(10) 7D0881405T
seat cover (leather/leatherette) / PR-N2Z
7D0881405T JTD flannel grey / -90

(10) 7D0881405S
seat cover (cloth)
7D0881405S QVM fresco green/flannel grey / -39

11 701881406
seat cover (leatherette) / 2 seater / PR-N0C
701881406 EEK flannel grey / -LS,MA
701881406 9XW sahara / -NA

(11) 701881406J
seat cover (cloth/leatherette) / 2 seater / PR-N0J
701881406J EEN dark grey / -BU

(11) 701881406K
seat cover (cloth) / 2 seater / PR-N0A
701881406K EEM flannel grey / -BX
701881406K EEZ flannel grey / -AB

(11) 7D0881406
seat cover (leather) / 2 seater / PR-N0F
7D0881406 EEW flannel grey / -BS,UF
7D0881406 EEX sahara / -BT,UG
7D0881406 EEY lagoon / -UE

(11) 7D0881406A
seat cover (cloth/leatherette) / 2 seater / PR-N0P
7D0881406A HQA flannel grey / -AQ
7D0881406A HQD lagoon / -AP

(11) 7D0881406B
seat cover (cloth) / 2 seater / PR-N0U
7D0881406B HQH lagoon / -KR
7D0881406B HYD light beige / -KS
7D0881406B HYE flannel grey / -KQ

12 N 90162606
upholstery wire / 2,8X368

(12) 535885483B
upholstery wire / 2,8X520

(12) 443885717
upholstery wire / 2X480

13 701881669A
seat frame / left/right
securing plate
for vehicles with 2nd battery
701881669A P38 sahara
701881669A 01A black
701881669A 2DP flannel grey
701881669A R34 light beige

(13) 7D0881669F
seat frame / left/right
securing plate
for vehicles with 2nd battery
7D0881669F P38 sahara
7D0881669F R34 light beige
7D0881669F 01A black
7D0881669F 2DP flannel grey

13A 701882372
locking rod with grip

13B 701882374
mounting clip

14 N 0195341
hexagonal head bolt / M10X28

15 7D0881669D
seat frame / left/right
(swivelling seat)
7D0881669D P38 sahara / -UG,VK
7D0881669D 01A black / -BU,BX,LS,TS, / UE,VJ
7D0881669D 2DP flannel grey / -AB,BS,MA,TU, / TV,UF,WK,WL, / UC,51
7D0881669D R34 light beige / -KS,UG,VK

15A 7D0882767
cover cap
7D0882767 U71 flannel grey / -AB,BS,MA,TU, / TV,UF,WK,WL
7D0882767 01C satin black / -BU,BX,LS,TS, / UE,VJ,
7D0882767 9UW sahara / -UG,VK
7D0882767 Q70 light beige / -KS

15B 701881201A
channel / left/right

15D 701881277A
limit stop

16 N 10204802
hexagon head bolt c/w shoulder / M10X35-PC-SW16

17 N 90845801
protective cap
N 90845801Q70 light beige
N 90845801U71 flannel grey
N 9084580101C satin black

18 7D0881681C
seat frame / 2 seater
7D0881681C 01A black

(20) 7D0881697
lining
battery
7D0881697 Q70 light beige / -KS,UG,VK
7D0881697 U71 flannel grey / -AB,BS,MA,TU, / TV,UF,WK,WL, / UC,51
7D0881697 01C satin black

21 702881699
shouldered nut

22 701881700
double stud with hexagon drive / M10X20/M10X23

23 803019825B
spacer sleeve

24 N 0230047
shouldered hex. nut, self-locking / AM10

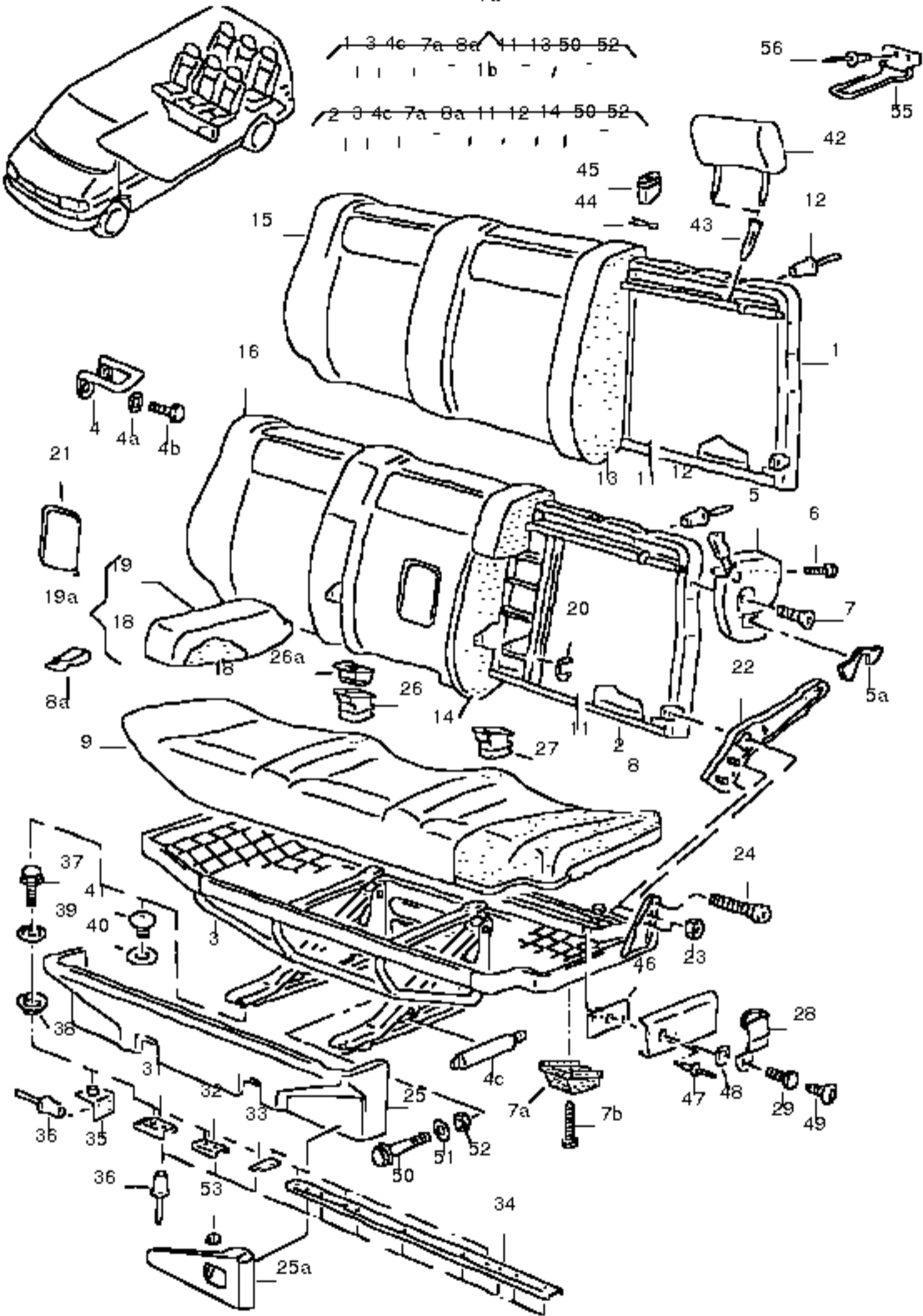
25 703883069
clip
guide illustration: / 857-65 (24E)

27 701881320
trim panel for seat frame / rear
701881320 Q70 light beige
701881320 U71 flannel grey
701881320 01C satin black

28 701881318
trim panel for seat frame / right
701881318 Q70 light beige
701881318 U71 flannel grey
701881318 01C satin black

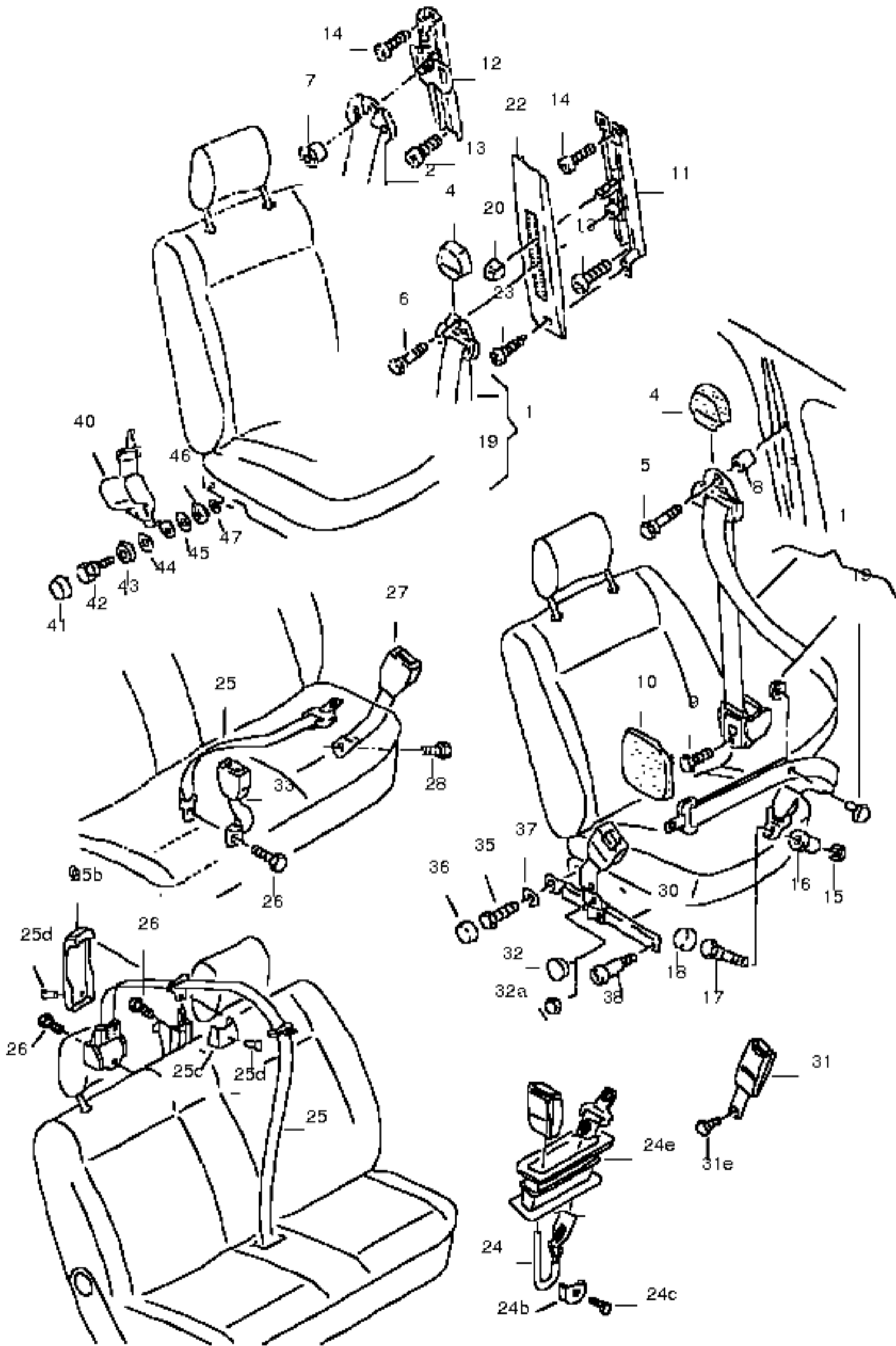
29 701881253
grip for rotary lever
701881253 01C satin black

1a



- seat and backrest / rear
- AMV195KD101
adhesive / 3G
- (1A) 703885027
seat and backrest complete (without cover) / rear / PR-0E1
/ 2. seat bench
3 seater
also use: / POS.9,15
but without: head restraint
- (1B) 705885027
seat and backrest complete (without cover) / rear / CARAVELLE GL
/ 2. seat bench / PR-0E1
3 seater
also use: / POS.9,16,19
but without: head restraint
- (1A) 723885027
seat and backrest complete (without cover) / rear
/ 3. seat bench
3 seater
also use: / POS.9,15
but without: head restraint
- IB 725885027
seat and backrest complete (without cover) / rear / CARAVELLE GL
/ 3. seat bench
3 seater
also use: / POS.9,16,19
but without: head restraint
- I 703885045A
backrest frame / 2. seat bench
F >> 70-1-170 000*
- (1) 7D0885045H
backrest frame / 2. seat bench
F 70-1-170 001>>*
- (1) 723885045
backrest frame / 3. seat bench
for vehicles with extended wheelbase
F >> 70-1-170 000*
- (1) 7D0885045J
backrest frame / 3. seat bench
for vehicles with extended wheelbase
F 70-1-170 001>>*
- 2 705885045A
backrest frame / 2. seat bench
for models with center armrest
F >> 70-1-170 000*
- (2) 7D0885045K
backrest frame / 2. seat bench
for models with center armrest
F 70-1-170 001>>*
- (2) 725885045
backrest frame / 3. seat bench
for models with center armrest
for vehicles with extended wheelbase
F >> 70-1-170 000*
- (2) 7D0885045L
backrest frame / 3. seat bench
for models with center armrest
for vehicles with extended wheelbase
F 70-1-170 001>>*
- (3) 7D0885063C
seat frame / 2. seat bench
7D0885063C 01A black
- (3) 7D3885063B
seat frame for vehicles with extended wheelbase

also use: / 703 858 773
for models with child's seat
7D3885063B 01A black
- 4 703885197
locking bracket
- (4) 723885197
locking bracket / PR-3VM/3WB
for vehicle with fold-down seat backrest
- 4A N 01152520
washer / A8,4X16X1,6
- 4B N 0102935
hexagonal head bolt / M8X16
- (4C) 703885065A
gas-filled strut / PR-3VN
- (4C) 723885065
gas-filled strut / 3. seat bench / PR-3WB/3VM
for vehicles with extended wheelbase
- (5) 703885300
interlock / right
703885300 01C satin black
- 5 7D0885297
interlock / left
7D0885297 01C satin black
- (5) 7D0885298
interlock / right
7D0885298 01C satin black
- 357885695
lever for folding backrest
357885695 01C satin black
- 311881247
clip
- 5A 703885331B
stop buffer
- 6 N 0139681
oval head panel screw / ST4,8X13-C
- 7 N 0214163
oval head countersunk bolt / M8X32
- 7A 703885331
stop buffer
F >> 70-Y-200 000
- (7A) 7D0885331B
stop buffer
F 70-Y-200 001>>
- 7B N 0139481
oval head panel screw / B5,5X25
- 8 705885375A
padding for seat
- 8A 703885447
clips
- (9) 703885405
seat cover (leatherette) / PR-N0C
703885405 EEK flannel grey / -LS,MA
- (9) 703885405
seat cover (leatherette) / PR-N0C,K4B
703885405 EEK flannel grey / -LS
- (9) 703885405L
seat cover (cloth) / PR-N0A
703885405L EEM flannel grey / -BX
703885405L EEZ flannel grey / -AB
- (9) 7D0885405H
seat cover (leatherette) / PR-N0C,K4C
7D0885405H EEK flannel grey / -MA
- (9) 7D0885405J
seat cover (cloth/leatherette) / PR-N0A,K4C
7D0885405J EEZ flannel grey / -AB
- (9) 703885405K
seat cover (cloth/leatherette)
703885405K EEN dark grey / -BU
- (9) 7D0885405D
seat cover (cloth) / PR-N0U
7D0885405D HQH lagoon / -KR
7D0885405D HYD light beige / -KS
7D0885405D HYE flannel grey / -KQ
- (9) 7D0885405A
seat cover (leather/leatherette) / PR-N1X
7D0885405A CLQ sahara / -VK
7D0885405A EQU lagoon / -VJ
- (9) 7D0885405G
seat cover (leather/leatherette) / PR-N1X
7D0885405G CLQ sahara / -VK
7D0885405G EQU lagoon / -VJ
7D0885405G ETU light beige / -VH
- (9) 7D0885405K
seat cover (cloth) / PR-N0F
7D0885405K EEW flannel grey / -UF
7D0885405K EEX sahara / -UG
7D0885405K EEEY lagoon / -UE
- (9) 7D0885405C
seat cover (cloth/leatherette) / PR-N0P
7D0885405C HQA flannel grey / -AQ
7D0885405C HQD lagoon / -AP
- (9) 7D0885405N
seat cover (leather/leatherette) / PR-N7F
7D0885405N KWB light beige / -YR
7D0885405N LQZ lagoon / -YQ
- (9) 7D0885405Q
seat cover (leatherette) / PR-N1S
7D0885405Q 5PE light beige / -NA
- 11 703885755
rear panel for backrest
- 12 N 0161992
pop-rivet / A3,2X10X8
- 13 705885775
padding for backrest / 2. seat bench
- (13) 725885775
padding for backrest / 3. seat bench
for vehicles with extended wheelbase
- 14 705885775A
padding for backrest / 2. seat bench
for models with center armrest
F >> 70-X-060 000*
- (14) 7D0885775C
padding for backrest / 2. seat bench
for models with center armrest
F 70-X-060 001>>*
- (14) 725885775A
padding for backrest / 3. seat bench
for models with center armrest
for vehicles with extended wheelbase
F >> 70-X-060 000*
- (14) 7D3885775B
padding for backrest / 3. seat bench
for models with center armrest
for vehicles with extended wheelbase
F 70-X-060 001>>*
- 15 703885805
backrest cover (leatherette) / 2. seat bench / PR-N0C
703885805 EEK flannel grey / -LS,MA
- (15) 723885805
backrest cover (leatherette) / 3. seat bench / PR-N0C
for vehicles with extended wheelbase
723885805 EEK flannel grey / -LS,MA
- (15) 703885805AB
backrest cover (cloth) / PR-N0A
703885805ABEEM flannel grey / -BX
703885805ABEEZ flannel grey / -AB
- (15) 723885805H
backrest cover (cloth) / PR-N0A
for vehicles with extended wheelbase
723885805H EEM flannel grey / -BX
723885805H EEZ flannel grey / -AB
- (15) 703885805AA
backrest cover (cloth/leatherette) / 2. seat bench / PR-N0J
703885805AAEEN dark grey / -BU
- (15) 723885805G
backrest cover (cloth/leatherette) / 3. seat bench / PR-N0J
for vehicles with extended wheelbase
723885805G EEN dark grey / -BU
- (15) 7D0885805L
backrest cover (leather/leatherette) / 2. seat bench / PR-N0P
7D0885805L HQA flannel grey / -AQ
7D0885805L HQD lagoon / -AP
- 16 705885805D
backrest cover (cloth) / 2. seat bench / PR-N0F
705885805D EBU flannel grey / -UF
705885805D EBW sahara / -UG
705885805D EBW lagoon / -UE
- (16) 7D0885805N
backrest cover (cloth/leatherette) / 2. seat bench / PR-N0U
7D0885805N HQF flannel grey / -KQ
7D0885805N HQJ lagoon / -KR
7D0885805N HQK light beige / -KS
- (16) 725885805D
backrest cover (cloth) / 3. seat bench / PR-N0F
for vehicles with extended wheelbase
725885805D EBU flannel grey / -UF
725885805D EBW sahara / -UG
725885805D EBW lagoon / -UE
- (16) 7D0885805P
backrest cover (cloth/leatherette) / 3. seat bench / PR-N0U
for vehicles with extended wheelbase
7D0885805P HQF flannel grey / -KQ
7D0885805P HQJ lagoon / -KR
- (16) 7D0885805M
backrest cover (cloth/leatherette) / 3. seat bench / PR-N0P
for vehicles with extended wheelbase
7D0885805M HQA flannel grey / -AQ
7D0885805M HQD lagoon / -AP
- (16) 7D0885805H
backrest cover (leather/leatherette) / 2. seat bench / PR-N1X
7D0885805H EQU lagoon / -VJ
7D0885805H CLQ sahara / -VK
7D0885805H ETU light beige / -VH
- (16) 7D0885805T
backrest cover (leather/leatherette) / PR-N7F
7D0885805T KWB light beige / -YR
7D0885805T LQZ lagoon / -YQ
- (16) 7D0885805AB
backrest cover (leatherette) / PR-N1S
7D0885805AB5PE light beige / -NA
- 19A 705883095
armrest (cloth) / PR-N0F
705883095 EEW flannel grey / -UF
705883095 EEX sahara / -UG
705883095 EEEY lagoon / -UE
- (19A) 7D0883095A
armrest (cloth) / PR-N0U
7D0883095A 2EY flannel grey / -KQ
7D0883095A 30J lagoon / -KR
7D0883095A 4PP light beige / -KS
- (19A) 7D0883095
armrest (leather/leatherette) / PR-N1X
7D0883095 EQU lagoon / -VJ
7D0883095 CLQ sahara / -VK
7D0883095 ETU light beige / -VH
- (19A) 7D0883095B
armrest (leather/leatherette) / PR-N7F
7D0883095B KWB light beige / -YR
7D0883095B LQZ lagoon / -YQ
- (19A) 7D0883095C
armrest (leatherette) / PR-N1S
7D0883095C 5PE light beige / -NA
- 20 N 0124362
lock washer / 6
- 21 705883499
cover
705883499 J51 lagoon / -UE,KR
705883499 U71 flannel grey / -UF,KQ
705883499 9UW sahara / -UG
705883499 Q70 light beige / -KS
F >> 70-X-041 315
see illustration: / 868-10, POS. 5
F 70-X-041 316>> / POS. 3
- 23 N 01100830
hexagonal nut / M8
- 24 N 90969501
allen key head bolt / M10X13.05X20
- (25) 7D0868613E
trim panel for seat frame
7D0868613E H61 lagoon / -UE,VJ
7D0868613E P41 sahara / -UG,VK
7D0868613E 7DP flannel grey / -AB,MA,UF,BX
7D0868613E 9PL light beige / -KS,NA,VH,YR
- 25A 7D0868231
flap / left
7D0868231 J51 lagoon / -UE,VJ
7D0868231 U71 flannel grey / -AB,MA,UF
7D0868231 Q70 light beige / -KS,NA,VH,YR
7D0868231 9UW sahara / -UG,VK
- (25A) 7D0868232
flap / right
7D0868232 J51 lagoon / -UE,VJ
7D0868232 U71 flannel grey / -AB,MA,UF
7D0868232 Q70 light beige / -KS,NA,VH,YR
7D0868232 9UW sahara / -UG,VK
- 26 703885947A
guide frame
703885947A 01C satin black
- 26A 703885948
insert
703885948 01C satin black
- 27 701881947
guide frame
701881947 01C satin black
- 28 445887267B
strap for child's seat / "AUS"
- 29 N 98910801
hexagonal head bolt / 5/16"-18UNFX28
- 31 703883281
retaining plate
- 32 703883281A
retaining plate
- 33 703883281B
retaining plate
- 34 703883281C
attachment strip
- 35 703883281D
retaining plate
list of uses
see illustration: / 885-30
- 36 N 90478601
pop-rivet / A4,8X11
- 37 N 90322601
hexagonal head bolt / M10X27
- (37) 703886169B
shouldered bolt / M8X49
- 38 703883298A
damping ring
- 39 N 90566201
washer / 11X25X1
- 40 111857779
gasket / 28X10,4X1,5
- 41 253857785
plug / M10
253857785 01C satin black
head restraints
see illustration: / 881-50
- (43) 1H0881939
guide
1H0881939 B41 satin black
- (43) 3A0881920
guide with push button for adjustable head restraint
3A0881920 B41 satin black
- 44 443881743
clip for guide
- 46 7038858773
retaining plate for seat belt mounting
- 47 N 0161992
pop-rivet / A3,2X10X8
- 48 N 01152520
washer / A8,4X16X1,6
- 49 245829419A
plug
- 50 703885726
shouldered bolt
- 51 N 01155811
washer / 8,4X15X1,6
- 52 N 01100830
hexagonal nut / M8
- 53 705868439
retaining clip



seat belts in cab

1 7D0857805

three-point seat belt / left

** caution! dangerous cargo **

7D0857805 01C satin black

(1) 7D0857805G

three-point seat belt / left

(sliding door, left)

** caution! dangerous cargo **

7D0857805G 01C satin black

(1) 7D0857806

three-point seat belt / right

(passenger side)

** caution! dangerous cargo **

7D0857806 01C satin black

(2) 7D0857805D

three-point seat belt / left

for vehicles with

b-pillar trim

** caution! dangerous cargo **

7D0857805D 01C satin black

7D0857805D Q44 ecrue (beige)

7D0857805D E66 flannel grey

(2) 7D0857805B

three-point seat belt / left

(sliding door, left)

** caution! dangerous cargo **

b-pillar trim

7D0857805B 01C satin black

7D0857805B E66 flannel grey

(2) 7D0857806B

three-point seat belt / right

(passenger side)

for vehicles with b-pillar trim

** caution! dangerous cargo **

7D0857806B 01C satin black

7D0857806B Q44 ecrue (beige)

7D0857806B E66 flannel grey

4 357857719

cover cap

357857719 01C satin black

5 N 98910201

fitted bolt / 7/16"X20UNFX

/ 51,4

(6) N 98910301

fitted bolt / 7/16"X34

(7) 7D0857757

hexagonal head bolt / 7/16"-20UNF

8 705857790

spacer bush / 22MM

shorten to: / 19MM

9 111857799

hexagonal head bolt / 7/16"X25

10 701857827

cover cap / left

701857827 01C satin black

(10) 701857828

cover cap / right

701857828 01C satin black

(10) 7D0858197

cover cap / left

also use: / 7D0 863 931

7D0858197 01C satin black

(10) 7D0858198

cover cap / right

also use: / 7D0 863 931

7D0858198 01C satin black

- 7D0863931

sound absorber / 130X107MM

11 7D0857819

adjusting mechanism

12 7D0857833

adjusting mechanism

for vehicles with moulded lining

use if required: / 7D0 857 757

13 701857799

cheese head bolt / 7/16"X25

14 N 0903151

hexagon head bolt (combi) / M8X25-Z3

15 803019825B

spacer sleeve

(16) 705857845

spacer sleeve / 26MM

/ right

16 705857845

spacer sleeve / 26MM

/ left

shorten to: / 19MM

17 N 98910201

fitted bolt / 7/16"X20UNFX

/ 51,4

(18) 701858869

cover cap

701858869 B41 satin black

19 443857847B

knob

443857847B 4PK soul (black)

443857847B E59 platinum

20 191858727

adjustment knob

22 701858763

covering / left

701858763 01C satin black

(22) 701858764

covering / right

701858764 01C satin black

23 N 0139755

oval head panel screw / ST4,8X19

24B 165857900

cover cap

24C 803019837

hexagonal head bolt / 7/16"X35

24E 701857827A

guide frame

701857827A 01C satin black

25 7D1858661

three-point seat belt with press button buckle for front bench seat

for vehicles with dual passenger seat / right lhd

7D1858661 E66 flannel grey

7D1858661 01C satin black

7D1858661 Q44 ecrue (beige)

(25) 7D2858662

three-point seat belt with press button buckle for front bench seat

for vehicles with dual passenger seat / left rhd

7D2858662 E66 flannel grey

7D2858662 01C satin black

25C 7D0881640

cover cap

7D0881640 J51 lagoon

7D0881640 Q70 light beige

7D0881640 U71 flannel grey

7D0881640 9UW sahara

25B 7D1882635

cover cap / lhd

7D1882635 J51 lagoon / -AP,KR,UE

7D1882635 Q70 light beige / -KS

7D1882635 U71 flannel grey / -AB,AQ,BS,BU, / BX,KQ,LS,MA, / SL

7D1882635 9UW sahara / -BT,NB,UG

(25B) 7D2882635

cover cap / rhd

7D2882635 J51 lagoon / -AP,KR,UE

7D2882635 Q70 light beige / -KS

7D2882635 U71 flannel grey / -AB,AQ,BS,BU, / BX,KQ,LS,MA, / SL

7D2882635 9UW sahara / -BT,NB,UG

25D 7D0881500

grip pin

7D0881500 J51 lagoon

7D0881500 Q70 light beige

7D0881500 U71 flannel grey

7D0881500 9UW sahara

26 N 98911502

hexagonal head bolt / 7/16"-20UNFX20

(27) 701857741

press button buckle / rhd

for vehicles with dual passenger seat

701857741 01C satin black

27 701857742

press button buckle / lhd

for vehicles with dual passenger seat

701857742 01C satin black

28 111857799

hexagonal head bolt / 7/16"X25

31 701857877F

press button buckle

701857877F 01C satin black

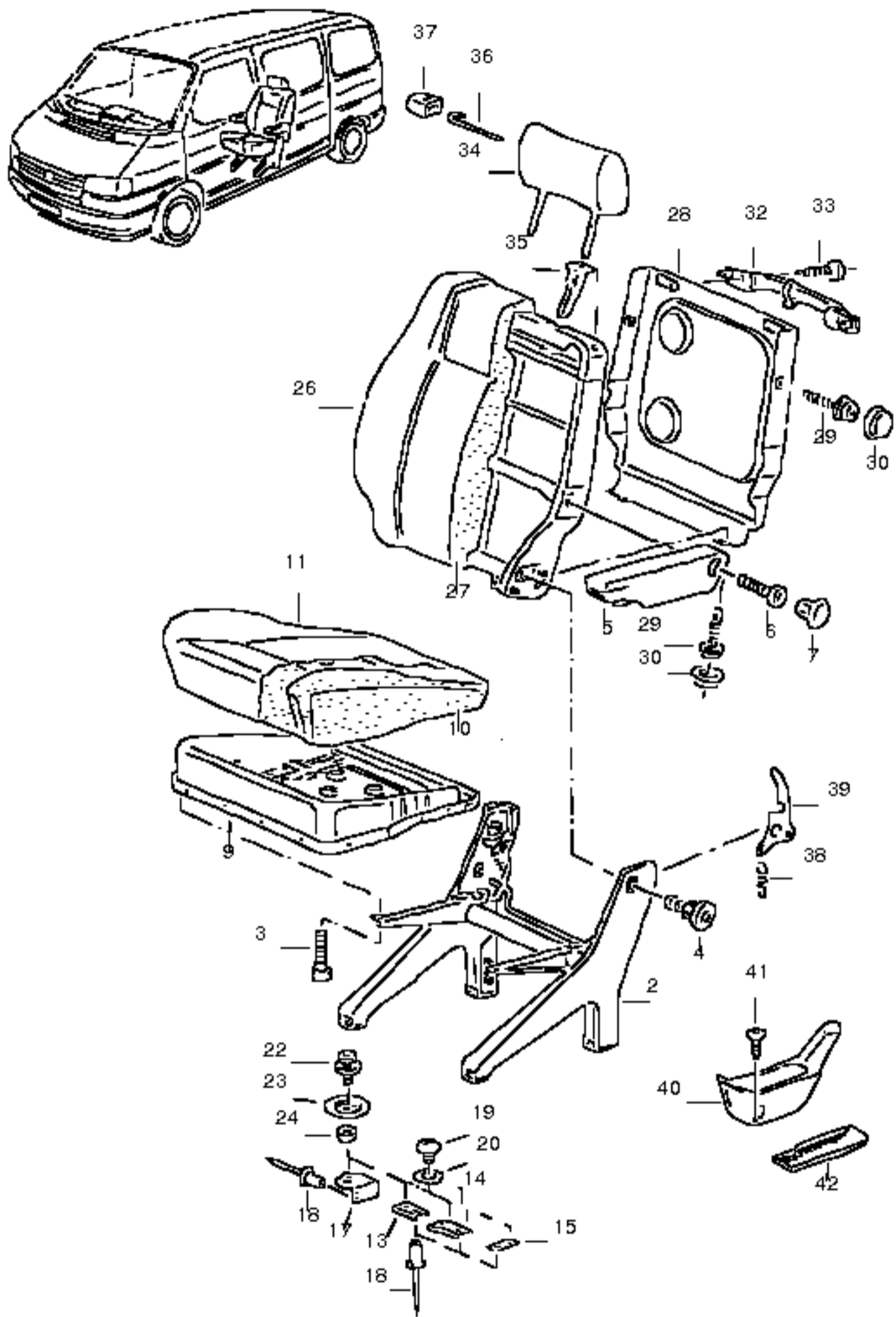
(31) 701857877G

press button buckle with warning contact

701857877G 01C satin black

31E 3B0857799

hexagonal head bolt / 7/16"-20UNFX20



seat with cover in passenger compartment
(one person)

- AMV195KD101
adhesive / 3G

- 100883016
seat, complete / PR-N0A/N0C/
(one person) / N0J/N0U
but without: seat and backrest cover
head restraint

1 7D1883045B
backrest frame

2 7D1883061B
seat frame
7D1883061B 01A black

3 N 01470210
allen key head bolt / M6X15

4 N 90473501
fitted bolt / M10X28

5 705881081B
armrest / left
705881081B EEW flannel grey / -UF
705881081B EEX sahara / -UG
705881081B EEY lagoon / -UE

(5) 705881082B
armrest / right
705881082B EEW flannel grey / -UF
705881082B EEX sahara / -UG
705881082B EEY lagoon / -UE

(5) 7D0881081T
armrest (cloth) / left / PR-N0U
7D0881081T 2EY flannel grey / -KQ
7D0881081T 30J lagoon / -KR
7D0881081T 4PP light beige / -KS

(5) 7D0881082K
armrest (cloth) / right / PR-N0U
7D0881082K 2EY flannel grey / -KQ
7D0881082K 30J lagoon / -KR
7D0881082K 4PP light beige / -KS

6 N 0147091
allen key head bolt / M8X22

7 701881979A
plug
701881979A 9UW sahara

7 7D0881979
plug
7D0881979 J51 lagoon
7D0881979 U71 flannel grey

9 701881304B
seat well

10 701881375C
padding for seat

11 701881405
seat cover (leatherette)
701881405 EEK flannel grey / -LS,MA

(11) 701881405R
seat cover (cloth)
701881405R EEM flannel grey / -BX
701881405R EEZ flannel grey / -AB

(11) 701881405P
seat cover (cloth/leatherette)
701881405P EEN dark grey / -BU

(11) 705881405A
seat cover (cloth)
705881405A EEW flannel grey / -UF
705881405A EEX sahara / -UG
705881405A EEY lagoon / -UE

(11) 7D0881405E
seat cover (cloth/leatherette) / PR-N0P
7D0881405E HQA flannel grey / -AQ
7D0881405E HQD lagoon / -AP

(11) 7D0881405D
seat cover (cloth) / PR-N0U
7D0881405D HQH lagoon / -KR
7D0881405D HYD light beige / -KS
7D0881405D HYE flannel grey / -KQ

13 703883281
retaining plate

14 703883281A
retaining plate

15 703883281B
retaining plate

17 703883281D
retaining plate
list of uses
see illustration: / 885-30

18 N 90478601
pop-rivet / A4,8X11

19 253857785
plug / M10
253857785 01C satin black

20 111857779
gasket / 28X10,4X1,5

(22) 703883297A
attachment bolt / 23MM

(22) 723883297A
attachment bolt / 34MM

(24) 703883298D
damping ring

26 703883455C
backrest cover (leatherette)
703883455C EEK flannel grey / -LS,MA

(26) 703883455BB
backrest cover (cloth)
703883455BBEEM flannel grey / -BX
703883455BBEEZ flannel grey / -AB

(26) 703883455AS
backrest cover (cloth/leatherette)
703883455ASEEN dark grey / -BU

(26) 705883455C
backrest cover (cloth)
705883455C EEW flannel grey / -UF
705883455C EEX sahara / -UG
705883455C EEY lagoon / -UE

(26) 7D0883455AD
backrest cover (cloth) / PR-N0U
7D0883455ADHQB lagoon / -KR
7D0883455ADHYD light beige / -KS
7D0883455ADHYE flannel grey / -KQ

(26) 7D0883455AE
backrest cover (cloth/leatherette) / PR-NOP
7D0883455AEHQB flannel grey / -AQ
7D0883455AEHQD lagoon / -AP

27 703883775A
padding for backrest

28 705883943A
cover for seat backrest
705883943A 2DQ flannel grey / -AB,BU,BX,LS, / MA,UF,KQ
705883943A 7FP lagoon / -UE,VJ,KR
705883943A 9XW sahara / -UG,VK
705883943A Q75 light beige / -KS

29 171867167A
panel screw / B4,2X21

30 311867169
cap for screw
311867169 J51 lagoon
311867169 U71 flannel grey
311867169 9UW sahara

32 705881797
grab handle
705881797 2DQ flannel grey
705881797 7FP lagoon
705881797 9XW sahara
705881797 Q75 light beige

33 N 0439351
oval head panel screw / B6,3X38-C
head restraints
see illustration: / 881-50

35 3A0881920
guide with push button for adjustable head restraint
3A0881920 B41 satin black

(35) 1H0881939
guide
1H0881939 B41 satin black

(36) 443881743
clip for guide

38 703883259A
tension spring

39 703883959
locating lever / left

(39) 703883960
locating lever / right

40 705883949
shelf/stowage compartment / left
705883949 J51 lagoon
705883949 Q70 light beige
705883949 U71 flannel grey

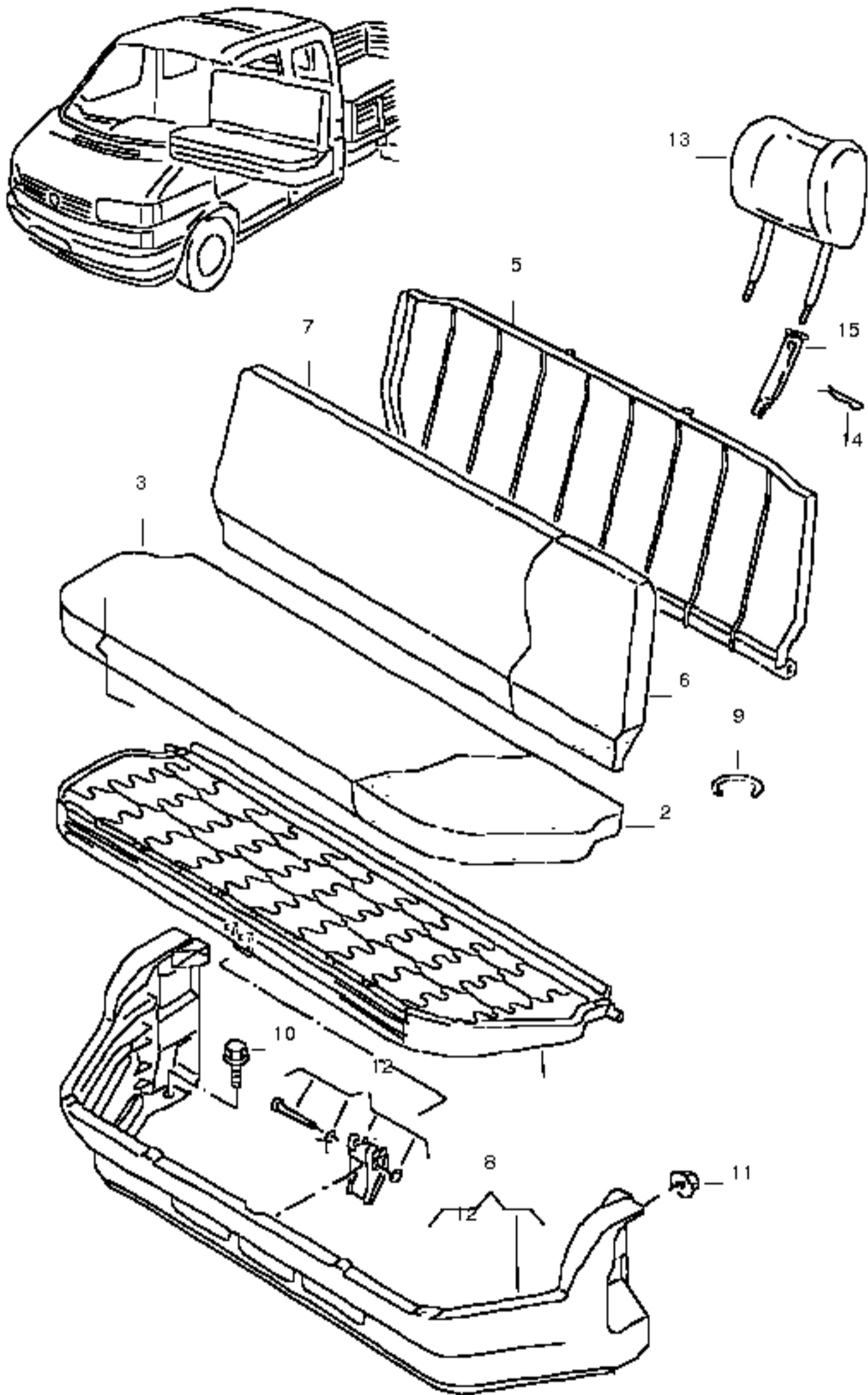
(40) 705883950
shelf/stowage compartment / right
705883950 J51 lagoon
705883950 Q70 light beige
705883950 U71 flannel grey

41 191867199
plug / 20/8,5
191867199 01C satin black

42 7D08858587
insert for stowage box / left
7D08858587 J51 lagoon
7D08858587 U71 flannel grey

(42) 7D08858588
insert for stowage box / right
7D08858588 J51 lagoon
7D08858588 U71 flannel grey

- 481881447A
clips



seats, backrests in passenger compartment / double cab

1 729885305

frame for rear seat

2 729885375

padding for seat

(3) 729885405C

seat cover (cloth)

729885405C EEM flannel grey / -BX

(3) 729885405A

seat cover (leatherette)

729885405A EEK flannel grey / -LS

(3) 729885405B

seat cover (cloth/leatherette)

729885405B EEN dark grey / -BU

(5) 729885705A

backrest frame

6 729885775

padding for backrest

(7) 729885805C

backrest cover (cloth)

729885805C EEM flannel grey / -BX

(7) 729885805A

backrest cover (leatherette)

729885805A EEK flannel grey / -LS

(7) 729885805B

backrest cover (cloth/leatherette)

729885805B EEN dark grey / -BU

8 729886921

seat box for vehicles with one evaporator

729886921 01C satin black

9 N 0152611

clips / 20X1,8

10 N 0197002

hexagon head bolt c/w shoulder / M8X30

11 N 90175203

hexagon nut, shouldered / M6

12 729886099

repair kit for seat

(13) 7D7885901

head restraint

7D7885901 U71 flannel grey / -BU,BX,LS

14 443881743

clip for guide

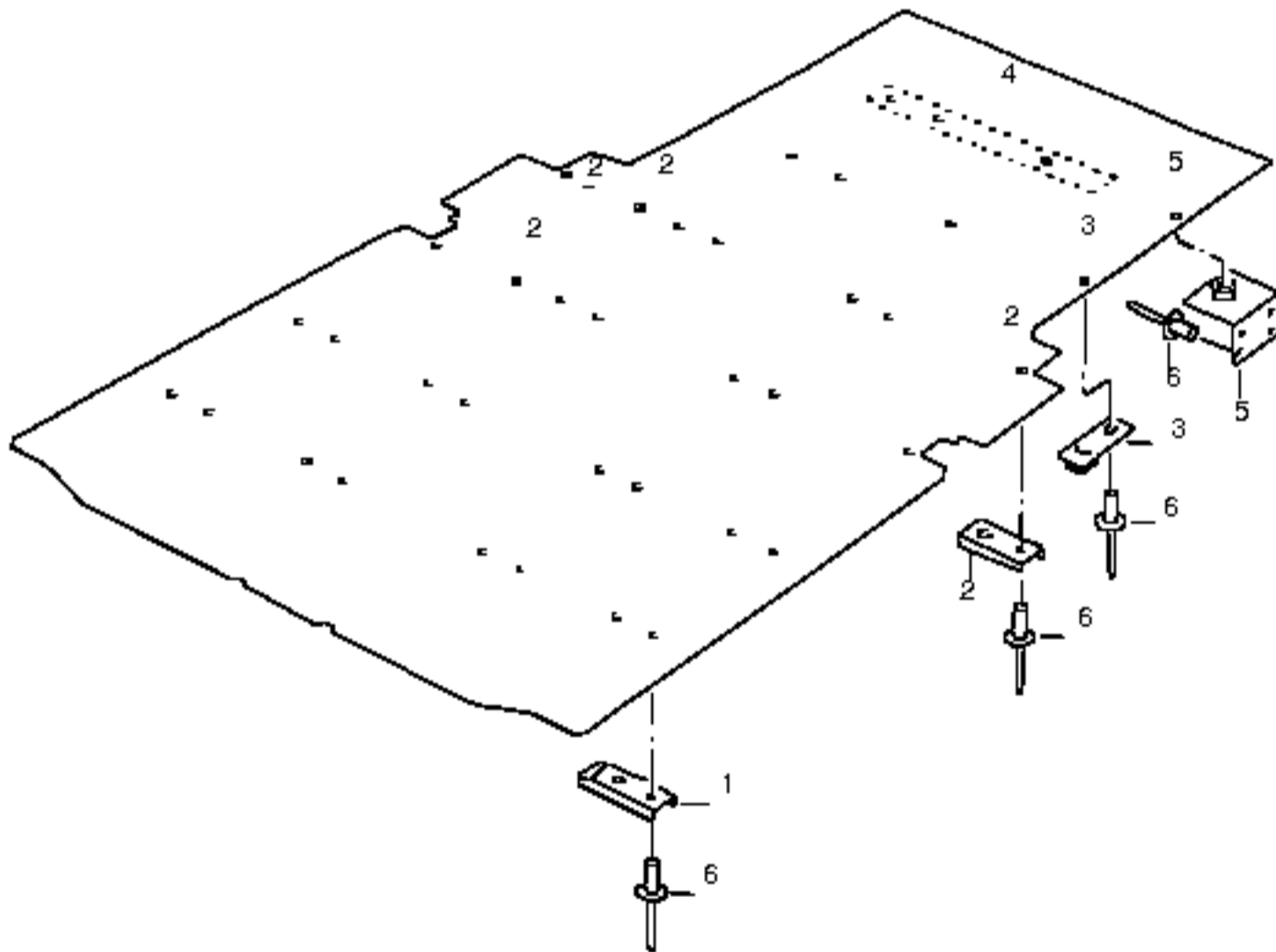
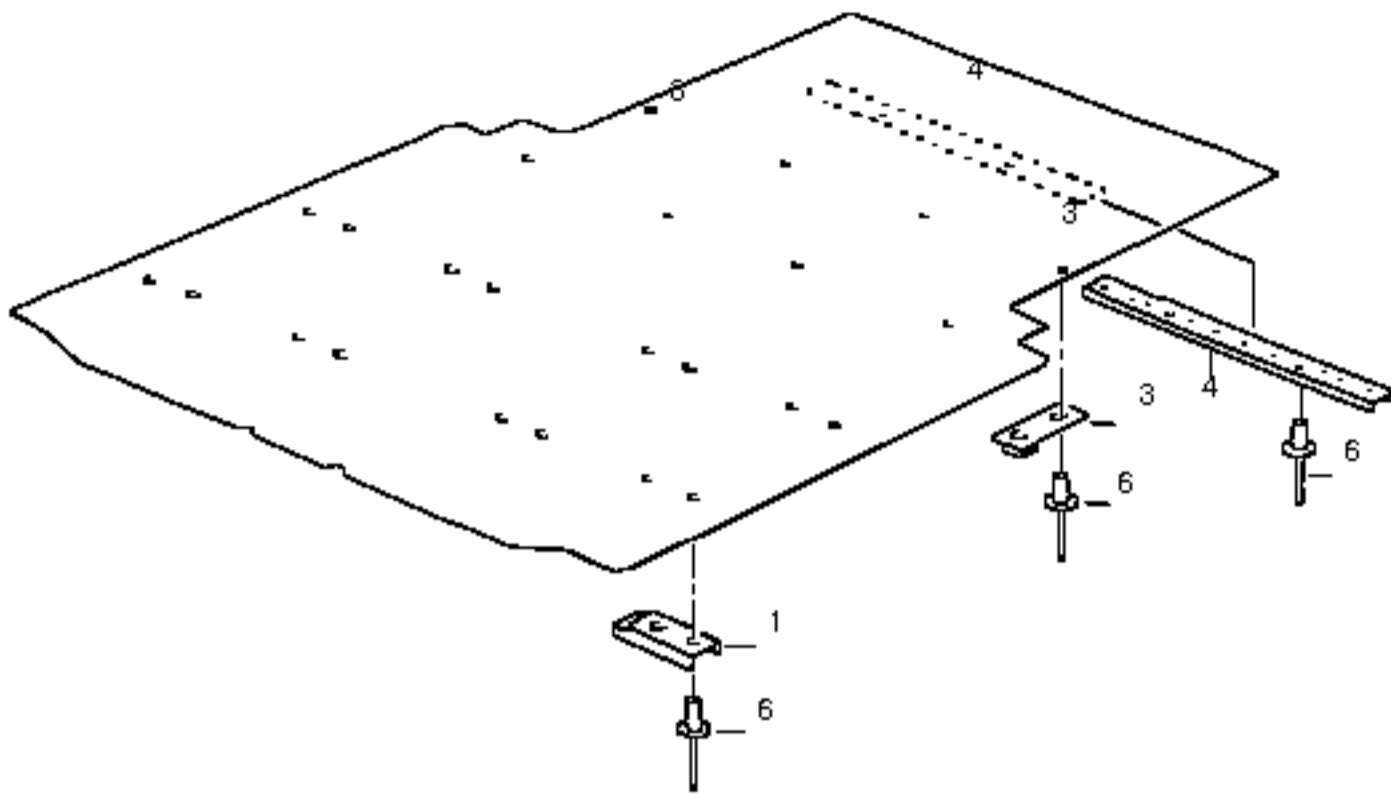
15 811881939

guide for head restraint, adjustable

811881939 01C satin black

- N 0114052

panel nut / AM6



securing parts
for vehicles with bench seats
(passenger compartment)

- AMV195KD101
adhesive / 3G
1 703883281
retaining plate (is required for non-numbered securing points)

2 703883281A
retaining plate

3 703883281B
retaining plate

4 703883281C
attachment strip

5 703883281D
retaining plate

(5) 7D0883281C
retaining plate / PR-3SJ/3TJ for dual passenger seat

6 N 90478601
pop-rivet / A4,8X11

1. seat bench

=====

wheelbase: / 2920MM
wheelbase: / 3320MM
bench seat (one person)
for service installation use:
/ 703 883 281 bench seat
2 seater
for service installation use:
/ 703 883 281
folding seat in passeng. comp.
for service installation use:
/ 703 883 281

2. seat bench

=====

wheelbase: / 2920MM
bench seat (one person)
for service installation use:
/ 703 883 281
/ 703 883 281 B
bench seat 3 seater
for service installation use:
/ 703 883 281
bench seat 3 seater rear
for service installation use:
/ 703 883 281 C
/ 703 883 281

2. seat bench

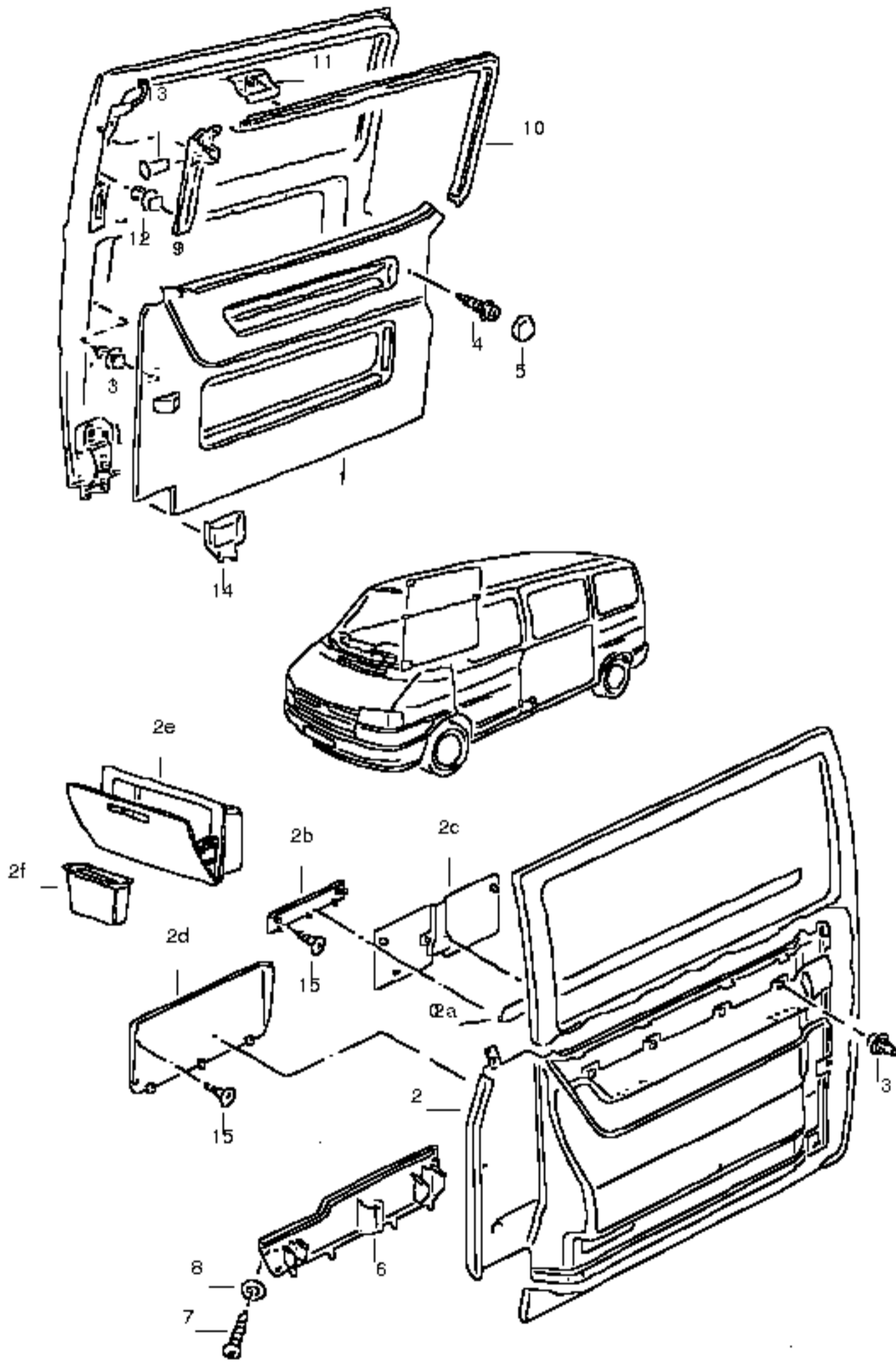
=====

wheelbase: / 3320MM
bench seat / right (one person)
for service installation use:
/ 703 883 281
/ 703 883 281 A
bench seat 2 seater
for service installation use:
/ 703 883 281 A
/ 703 883 281
folding seat in passeng. comp. / right
for service installation use:
/ 703 883 281 A
/ 703 883 281

3. seat bench

=====

wheelbase: / 3320MM
bench seat / left 2 seater
for service installation use:
/ 703 883 281
/ 703 883 281 B
/ 703 883 281 C
/ 703 883 281 D
bench seat 3 seater
for service installation use:
/ 703 883 281 C
/ 703 883 281



side panel trim / front
sliding door trim panel
F >> 70-1-200 000

(1) 705867027
sliding door trim panel (leatherette) / left / CARAVELLE,
/ MULTIVAN
705867027 2DQ flannel grey

(1) 7D0867027
sliding door trim panel (leatherette) / left / CARAVELLE,
/ MULTIVAN
also use: / 7D0 867 197 E
/ in appropriate colour .
7D0867027 7FP lagoon

(1) 705867027
sliding door trim panel (leatherette) / left / ambulance
705867027 9XW sahara

(1) 705867027A
sliding door trim panel / left / CARAVELLE GL
/ MULTIVAN
705867027A EPW sahara / -UG
705867027A EPV flannel grey / -UF
705867027A EPX lagoon / -UE
705867027A HBK flannel grey / -TV
705867027A HUQ lagoon / -KR

(1) 7D0867027A
sliding door trim panel / left / CARAVELLE GL
(leatherette/cloth)
also use: / 7D0 867 197 E
7D0867027A HUP flannel grey

(1) 7D0867027C
sliding door trim panel / left / PR-5DT
for models with leather trim
also use: / 70-1-150000>>*
/ 7D0 867 197 E
/ in appropriate colour .
7D0867027C PEF lagoon / -VJ,YQ

(1) 7D0867028
sliding door trim panel (leatherette) / right / CARAVELLE
also use: / 7D0 867 197 E
/ in appropriate colour .
7D0867028 2DQ flannel grey
7D0867028 7FP lagoon

(1) 7D0867197E
cover for door trim panel / right / CARAVELLE,
sliding door / MULTIVAN
7D0867197E J51 lagoon
7D0867197E U71 flannel grey

(1) 705867028
sliding door trim panel (leatherette) / right / ambulance
705867028 9XW sahara

(1) 705867028A
sliding door trim panel / right / MULTIVAN-
(leatherette/cloth) / ALLSTAR,
/ CLASSIC,
/ CALIFORNIA-
/ COACH,
/ EXKLUSIV,
/ CARAVELLE GL
/ TOP-STAR
705867028A EPV flannel grey / -UF
705867028A EPW sahara / -UG
705867028A EPX lagoon / -UE
705867028A HUR light beige / -KS
705867028A HBK flannel grey / -TV,TU

(1) 7D0867028A
sliding door trim panel / right / MULTIVAN-
(leatherette/cloth) / ALLSTAR,
also use: / 7D0 867 197 E / CLASSIC,
/ in appropriate colour . / CALIFORNIA-
/ COACH,
/ EXKLUSIV,
/ CARAVELLE GL
/ TOP-STAR
7D0867028A HUP flannel grey / -KG,KQ
7D0867028A HUS flannel grey / -RW,RX,RY,RZ, / 22,AQ,UC,51
7D0867028A HUQ lagoon / -KR
7D0867028A JBY flannel grey / -UC
7D0867028A EQA flannel grey / -WK,WL

(1) 705867028F
sliding door trim panel / right / CARAVELLE GL
for models with leather trim
705867028F GEW sahara / -VK
705867028F HUT light beige / -VH,YR

(1) 7D0867028D
sliding door trim panel / right / CARAVELLE GL
for models with leather trim
also use: / 7D0 867 197 E
7D0867028D PEF lagoon / -VI,YQ

(2) 7D1867039B
side panel trim / left front / CARAVELLE GL
for models with leather trim
7D1867039B GEW sahara / -VK
7D1867039B GGT lagoon / -VJ,YQ
7D1867039B HUT light beige / -VH,YR

2 705867039
side panel trim (leatherette) / left front / CARAVELLE,
/ KOMBI L
705867039 2DQ flannel grey
705867039 7FP lagoon / -AP

(2) 705867039
side panel trim (leatherette) / left front / ambulance
adapt with workshop equipment
705867039 9XW sahara

- 723867039
side panel trim / ambulance
for vehicles with extended wheelbase
723867039 9XW sahara

(2) 705867039A
side panel trim / left front / CARAVELLE GL
(leatherette/cloth)
705867039A EPV flannel grey / -UF
705867039A EPW sahara / -UG
705867039A EPX lagoon / -UE
705867039A HUR light beige / -KS
705867039A HUP flannel grey / -KQ
705867039A HUQ lagoon / -KR

(2) 703867039A
side panel trim (leatherette) / left front / MULTIVAN,
/ CLASSIC,
folding table / ALLSTAR
703867039A 2DQ flannel grey
703867039A 7FP lagoon

(2) 7D0867039B
side panel trim (leatherette) / left front / MULTIVAN 2
7D0867039B 2DQ flannel grey

- 705867633
clips / MULTIVAN 2

- 701867299
clip / MULTIVAN 2
701867299 J51 lagoon
701867299 U71 flannel grey

- 703857785
plug / 7/16" / MULTIVAN 2
703857785 01C satin black

(2) 704867040B
side panel trim (leatherette) / right rhd / MULTIVAN-
/ CLASSIC,
/ ALLSTAR
704867040B 2DQ flannel grey

- 701819144
trim
see illustration: / 819-50/POS.10
701819144 01C satin black

- 251201525
base

- 251807127
cover cap
251807127 1BG graphite

(2) 705867040H
side panel trim (leatherette) / right front / ambulance
705867040H 2VW light grey

(2) 705867040H
side panel trim (leatherette) / right front / CARAVELLE
705867040H 2DQ flannel grey
705867040H 7FP lagoon / -AP

(2) 705867040J
side panel trim / right front / CARAVELLE GL
cloth / MULTIVAN
705867040J EPV flannel grey / -UF
705867040J EPW sahara / -UG
705867040J EPX lagoon / -UE
705867040J HUR light beige / -KS
705867040J HUP flannel grey / -KQ
705867040J HUQ lagoon / -KR

2A 703868333K
sealing / inner / ambulance
703868333K 9UW sahara

2B 703867133B
storage box / upper / MULTIVAN
703867133B 2HP lagoon
703867133B 7DE flannel grey

(2B) 704867133
storage box / upper rhd / MULTIVAN
704867133 7DE flannel grey

(2C) 7D0867091
shelf/stowage compartment / lower / MULTIVAN 2
refuse container
7D0867091 7DE flannel grey

2C 703867133A
storage box / lower / MULTIVAN
703867133A 2HP lagoon
703867133A 7DE flannel grey

(2D) 7D0867091A
shelf/stowage compartment / lower / MULTIVAN 2
ventilation grille
7D0867091A 7DE flannel grey

2D 703867133
storage box / lower / MULTIVAN
703867133 2HP lagoon
703867133 7DE flannel grey

2E 7D0857095
storage box / MULTIVAN 2
7D0857095 HZD flannel grey

2F 7D0858615
refuse container / MULTIVAN 2
7D0858615 7DE flannel grey

3 823867299
clip

(3) 7M0867299K
clip
for models with leather trim

4 N 90654401
oval head panel screw (combi) / B4,2X32

5 311867169
cap for screw / ambulance
311867169 9UW sahara
311867169 U71 flannel grey
311867169 J51 lagoon
311867169 Y20 pearl grey

6 705867131
shelf for side panel trim / left / CARAVELLE GL
705867131 J51 lagoon
705867131 U71 flannel grey
705867131 Q70 light beige
705867131 9UW sahara

(6) 705867132
shelf for side panel trim / right / CARAVELLE GL
705867132 J51 lagoon
705867132 U71 flannel grey
705867132 Q70 light beige
705867132 9UW sahara

7 N 0139755
oval head panel screw / ST4,8X19

8 N 0116653
washer / 5,3X15X1,6

(9) 705867619C
sliding door trim panel / left front
705867619C 2EN pearl grey
705867619C 6PE sahara

(9) 705867620C
sliding door trim panel / right front
705867620C 2EN pearl grey
705867620C 28R light beige
705867620C 6PE sahara

(10) 705867623A
sliding door trim panel / left rear
705867623A 2EN pearl grey
705867623A 6PE sahara

(10) 705867624A
sliding door trim panel / right rear
705867624A 2EN pearl grey
705867624A 28R light beige
705867624A 6PE sahara

11 705867633
clips

(11) 705867633B
clips

12 443867299
clip

13 N 90478501
plug / 6X14
N 90478501Y20 pearl grey
N 9047850101C satin black
N 904785019UW sahara

(14) 705868639B
cover cap / left
705868639B J51 lagoon
705868639B U71 flannel grey
705868639B 9UW sahara

(14) 7D0868640
cover cap / right
7D0868640 J51 lagoon
7D0868640 U71 flannel grey
7D0868640 9UW sahara

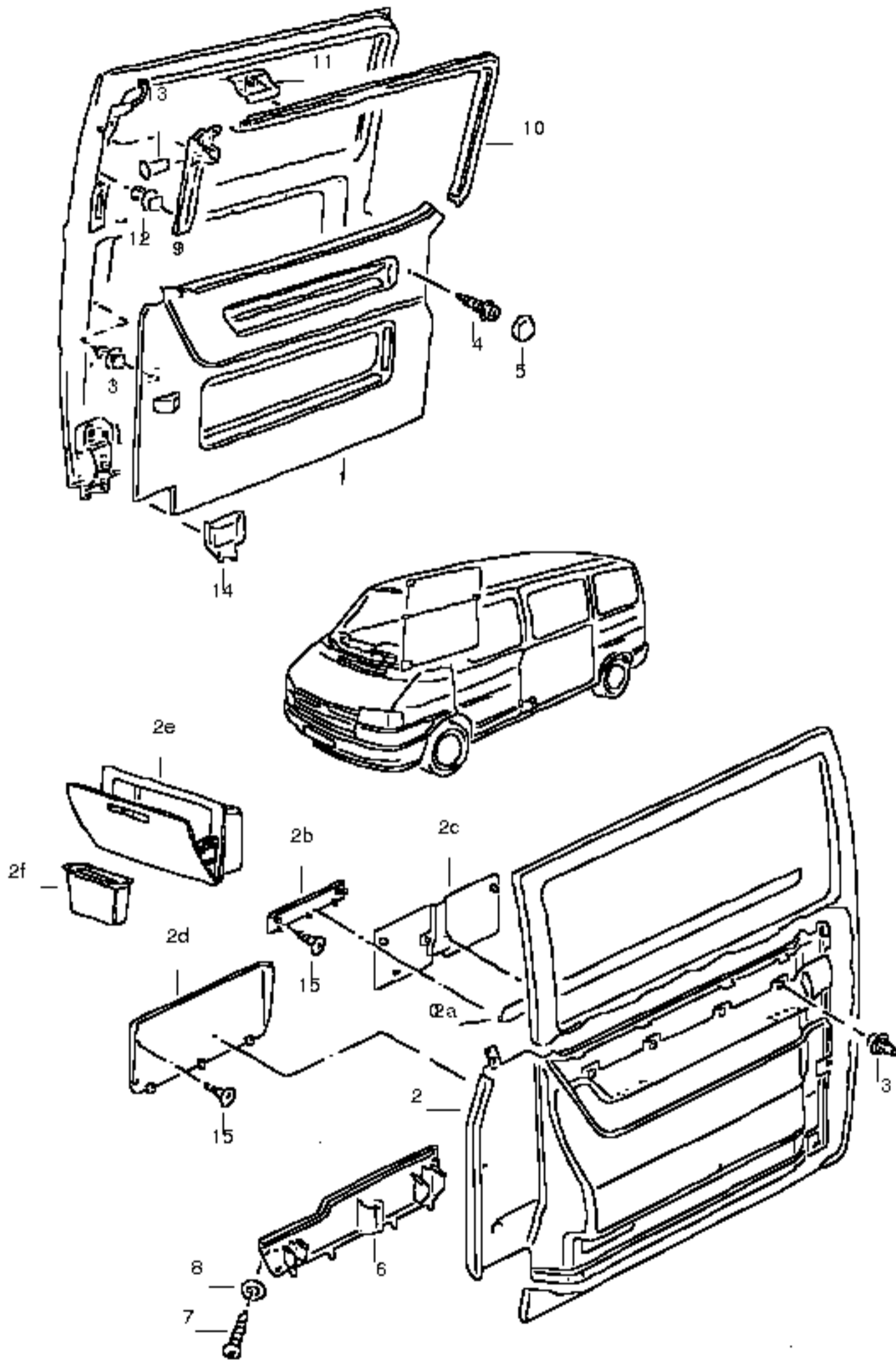
15 N 0139575
oval head panel screw / B3,5X9,5

- 533863288A
felt strip (self-adhesive) 'order unit 25' / 20X3X880MM

- 705868835
foam packing (self-adhesive)

- 7D0898095
repair kit / MULTIVAN 2
shelf/stowage compartment
small parts kits

- 7D0898091
repair kit / MULTIVAN 2
refuse container
small parts kits



side panel trim / front
sliding door trim panel
F 70-2-000 001>>

(1) 7D0867027
sliding door trim panel (leatherette) / left / PR-5DC/5DJ
also use: / 7D0 867 197 E
/ in appropriate colour .
7D0867027 2DQ flannel grey
7D0867027 7FP lagoon

(1) 7D0867027A
sliding door trim panel / left / PR-5DD/5DM
also use: / 7D0 867 197 E
/ in appropriate colour .
7D0867027A HUP flannel grey
7D0867027A HUQ lagoon

(1) 7D0867027C
sliding door trim panel / left / PR-5DT
for models with leather trim
also use: / 7D0 867 197 E
/ in appropriate colour .
7D0867027C PEF lagoon

(1) 7D0867028
sliding door trim panel (leatherette) / right / PR-FM0/FM1/
/ FM2/FM5,5DC/
also use: / 7D0 867 197 E / 5DJ
/ in appropriate colour .
7D0867028 2DQ flannel grey
7D0867028 7FP lagoon

(1) 7D0867028
sliding door trim panel (leatherette) / right / PR-FM9,NOP,
/ 5DD
also use: / 7D0 867 197 E
/ in appropriate colour .
7D0867028 2DQ flannel grey

(1) 7D0867028A
sliding door trim panel / right / PR-FM1/FM2/
(leatherette/cloth) / FM3,5DD/5DM
also use: / 7D0 867 197 E
/ in appropriate colour .
7D0867028A HUP flannel grey / -KQ
7D0867028A HUQ lagoon / -KR
7D0867028A HUR light beige / -KS,NA

(1) 7D0867028A
sliding door trim panel / right / PR-FM9,N0U/
(leatherette/cloth) / N2N/N2Z
also use: / 7D0 867 197 E
/ in appropriate colour .
7D0867028A HUP flannel grey / -KQ
7D0867028A HUS flannel grey / -RW,RX,R,Y,RZ, / 22,51
7D0867028A PAF flannel grey / -41
7D0867028A PAL flannel grey/blue / -44
7D0867028A PAS flannel grey/red / -43

(1) 7D0867028A
sliding door trim panel / right / PR-FM6/FM7
(leatherette/cloth)
also use: / 7D0 867 197 E
/ in appropriate colour .
7D0867028A EQA flannel grey / -WL
7D0867028A HUS flannel grey / -39,51
7D0867028A JBY flannel grey / -UC

(1) 7D0867028D
sliding door trim panel / right / PR-5DT
for models with leather trim
also use: / 7D0 867 197 E
/ in appropriate colour .
7D0867028D PED light beige / -YR
7D0867028D PEF lagoon / -YQ

(1) 7D0867028D
sliding door trim panel / right / PR-E7L,E5E
for models with leather trim
7D0867028D QEK flannel grey / -79,89
7D0867028D QEM flannel grey / -80,90

- 1J0867809
sound absorber (self-adhesive) / 500X490X15

- 7D0867197E
cover for door trim panel / left/right
sliding door

7D0867197E J51 lagoon
7D0867197E Q70 light beige
7D0867197E U71 flannel grey

2 705867039
side panel trim (leatherette) / left front / PR-1U0,5DC
705867039 2DQ flannel grey / -AQ,BX,LS,MA
705867039 7FP lagoon / -AP

(2) 705867039A
side panel trim / left front / PR-1U0,5DD
(leatherette/cloth)
705867039A HUP flannel grey / -KQ
705867039A HUQ lagoon / -KR
705867039A HUR light beige / -KS,NA

(2) 7D1867039C
side panel trim / left front / PR-5DT
for models with leather trim
rework if necessary

7D1867039C PED light beige / -YR
7D1867039C PEF lagoon / -YQ

(2) 7D0867039B
side panel trim (leatherette) / left front / PR-1U1/1U2/
/ E7L/E5E
7D0867039B 2DQ flannel grey

- 705867633
clips / MULTIVAN 2

- 701867299
clip / MULTIVAN 2
701867299 J51 lagoon
701867299 U71 flannel grey

- 703857785
plug / 7/16" / MULTIVAN 2
703857785 01C satin black

(2) 704867040B
side panel trim (leatherette) / right / PR-1U1,5DJ,
/ 5R0
704867040B 2DQ flannel grey

(2) 705867040H
side panel trim (leatherette) / right front / PR-1U0,5DC
705867040H 2DQ flannel grey
705867040H 7FP lagoon / -AP

(2) 705867040J
side panel trim / right front / PR-1U0,5DD
cloth

705867040J HUR light beige / -KS
705867040J HUP flannel grey / -KQ
705867040J HUQ lagoon / -KR

trim for air vent
see illustration: / 819-50, POS.10

(2C) 7D0867091
shelf/stowage compartment / lower / MULTIVAN 2
refuse container
7D0867091 7DE flannel grey

(2D) 7D0867091A
shelf/stowage compartment / lower / MULTIVAN 2
ventilation grille
7D0867091A 7DE flannel grey

2E 7D0857095
storage box / MULTIVAN 2
7D0857095 HZD flannel grey

2F 7D0858615
refuse container / MULTIVAN 2
7D0858615 7DE flannel grey

3 7M0867299K
clip

4 N 90654401
oval head panel screw (combi) / B4,2X32

5 311867169
cap for screw
311867169 J51 lagoon
311867169 Q70 light beige
311867169 U71 flannel grey

6 705867131
shelf for side panel trim / left / PR-3Z1,5Q0
705867131 J51 lagoon
705867131 Q70 light beige
705867131 U71 flannel grey

(6) 705867132
shelf for side panel trim / right / PR-3Z1,5R0
705867132 J51 lagoon
705867132 Q70 light beige
705867132 U71 flannel grey

7 N 0139755
oval head panel screw / ST4,8X19

8 N 0116653
washer / 5,3X15X1,6

(9) 705867619C
sliding door trim panel / left front
705867619C 2EN pearl grey

(9) 705867620C
sliding door trim panel / right front
705867620C 2EN pearl grey
705867620C 28R light beige

(10) 705867623A
sliding door trim panel / left rear
705867623A 2EN pearl grey

(10) 705867624A
sliding door trim panel / right rear
705867624A 2EN pearl grey
705867624A 28R light beige

11 705867633
clips

(11) 705867633B
clips

12 443867299
clip

13 N 90478501
plug / 6X14
N 90478501 Q70 light beige
N 90478501 Y20 pearl grey
N 90478501 01C satin black

(14) 705868639B
cover cap / left
705868639B J51 lagoon
705868639B U71 flannel grey

(14) 7D0868640
cover cap / right
7D0868640 J51 lagoon
7D0868640 Q70 light beige
7D0868640 U71 flannel grey

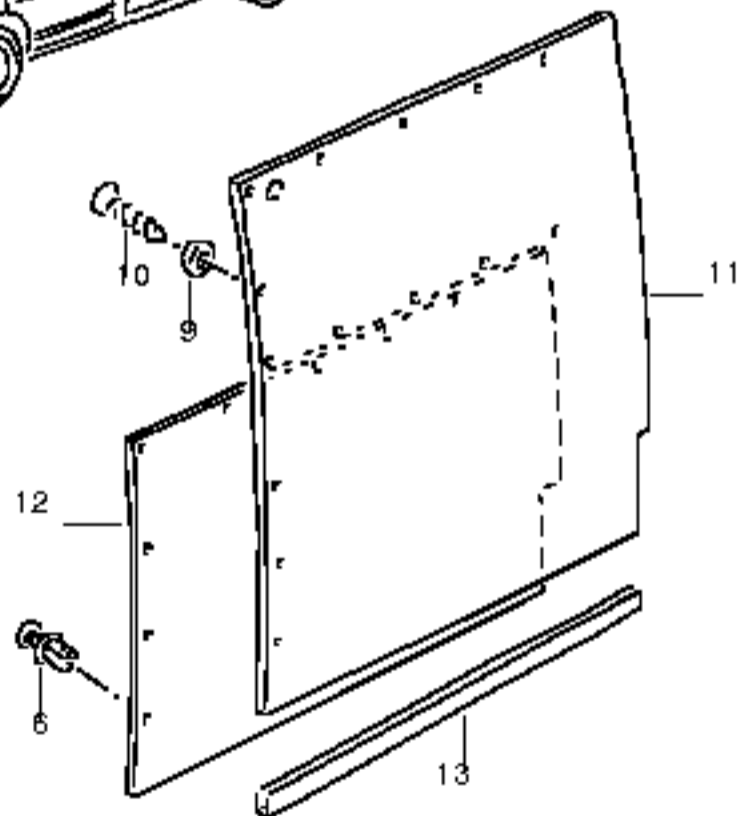
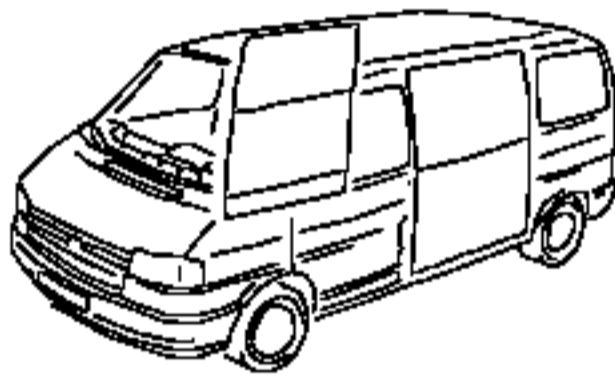
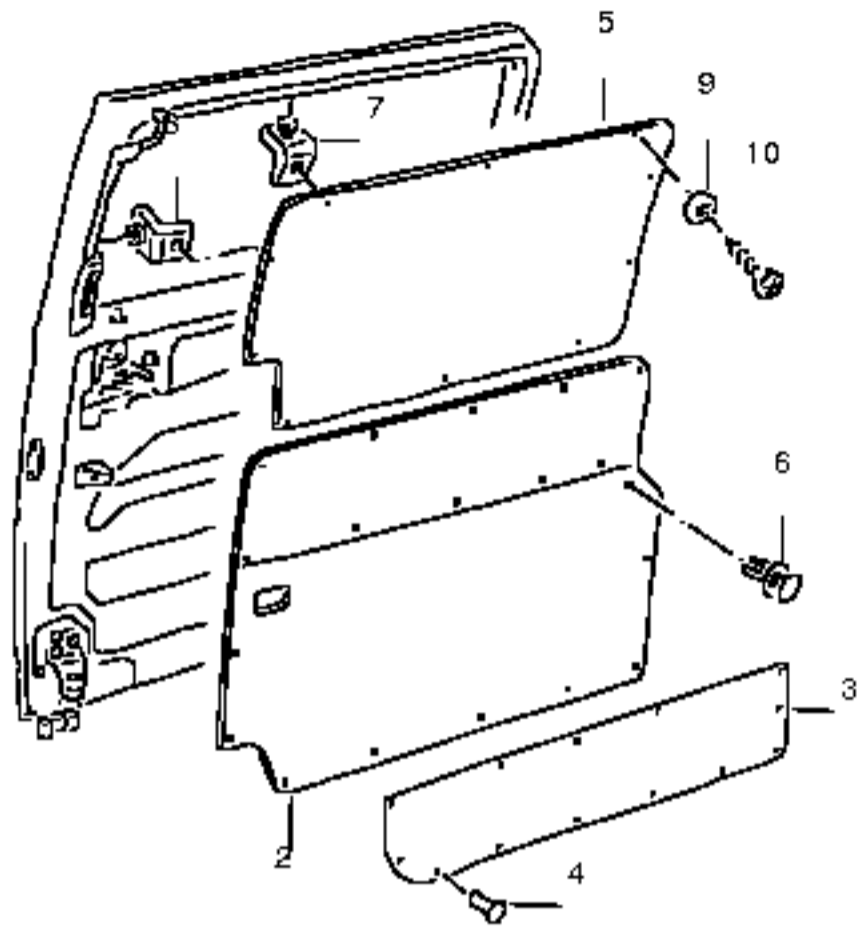
15 N 0139575
oval head panel screw / B3,5X9,5

- 533863288A
felt strip (self-adhesive) 'order unit 25' / 20X3X880MM

- 705868835
foam packing (self-adhesive)

- 7D0898095
repair kit / MULTIVAN 2
shelf/stowage compartment
small parts kits

- 7D0898091
repair kit / MULTIVAN 2
refuse container
small parts kits



side panel trim / front / delivery van
sliding door trim panel / kombi van

(2) 703867203B
sliding door trim panel / left / PR-5DE
(plastic)
703867203B 1YX flint grey

(2) 703867203C
sliding door trim panel (fiberboard) / left / PR-5DA/5DB/
/ 5DF
703867203C 9ZW flint grey

2 703867204B
sliding door trim panel / right / PR-5DE
(plastic)
703867204B 1YX flint grey

(2) 703867204C
sliding door trim panel (fiberboard) / right / PR-5DA/5DB/
/ 5DF
rework if necessary
703867204C 9ZW flint grey

3 253867206A
kick plate for sliding door / fire brigade

4 N 0162171
cup rivet / A3,2X12,5

(5) 701867219
sliding door trim panel / left / deliver.van:
(plastic) / PR-5DE
701867219 1YX flint grey

(5) 701867219A
sliding door trim panel (fiberboard) / left / deliver.van:
/ PR-5DB
701867219A 9ZW flint grey

5 701867220
sliding door trim panel / right / deliver.van:
(plastic) / PR-5DE
701867220 1YX flint grey

(5) 701867220A
sliding door trim panel (fiberboard) / right / deliver.van:
/ PR-5DB
701867220A 9ZW flint grey

- 721868650
sliding door trim panel (fiberboard) / upper
for high roof
721868650 9ZW flint grey

- 721868650A
sliding door trim panel / upper
(plastic)
for high roof
721868650A 1YX flint grey

6 701867299
clip
701867299 1YX flint grey

7 701867299A
clip / delivery van
701867299A 01C satin black

8 701867299B
clip / delivery van
701867299B 1YX flint grey

9 N 0117011
cone washer / A4,4

10 N 0140872
oval hd. csk. self-tapp. screw / ST3,5X16-C

11 701867305
side panel trim / left front / deliver.van:
(plastic) / PR-5DE
701867305 1YX flint grey

(11) 701867305A
side panel trim (fiberboard) / left front / deliver.van:
/ PR-5DB
701867305A 9ZW flint grey

(11) 701867306D
side panel trim / right front / deliver.van:
(plastic) / PR-5DE
701867306D 1YX flint grey

(11) 701867306E
side panel trim (fiberboard) / right front / deliver.van:
/ PR-5DB
701867306E 9ZW flint grey

12 703867305
side panel trim / left front / estate car:
(plastic) / PR-5DE
703867305 1YX flint grey

(12) 703867305A
side panel trim (fiberboard) / left front / estate car:
/ PR-5DB/5DF
703867305A 9ZW flint grey

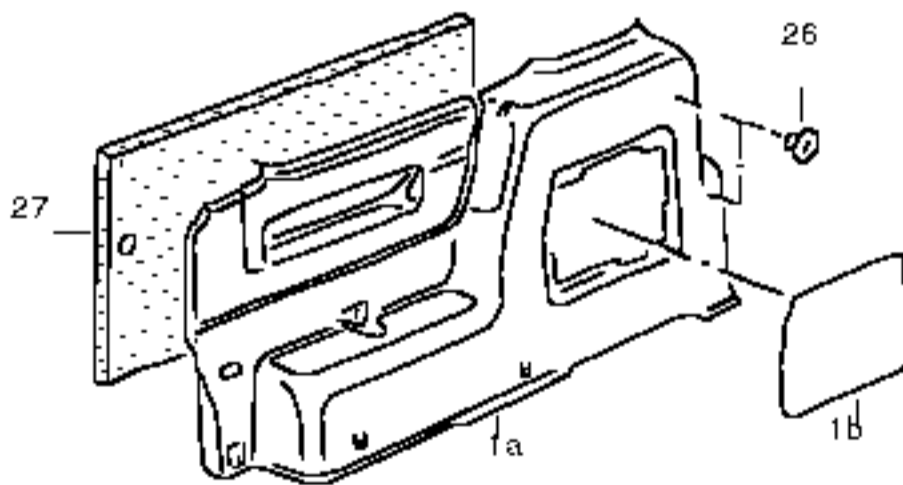
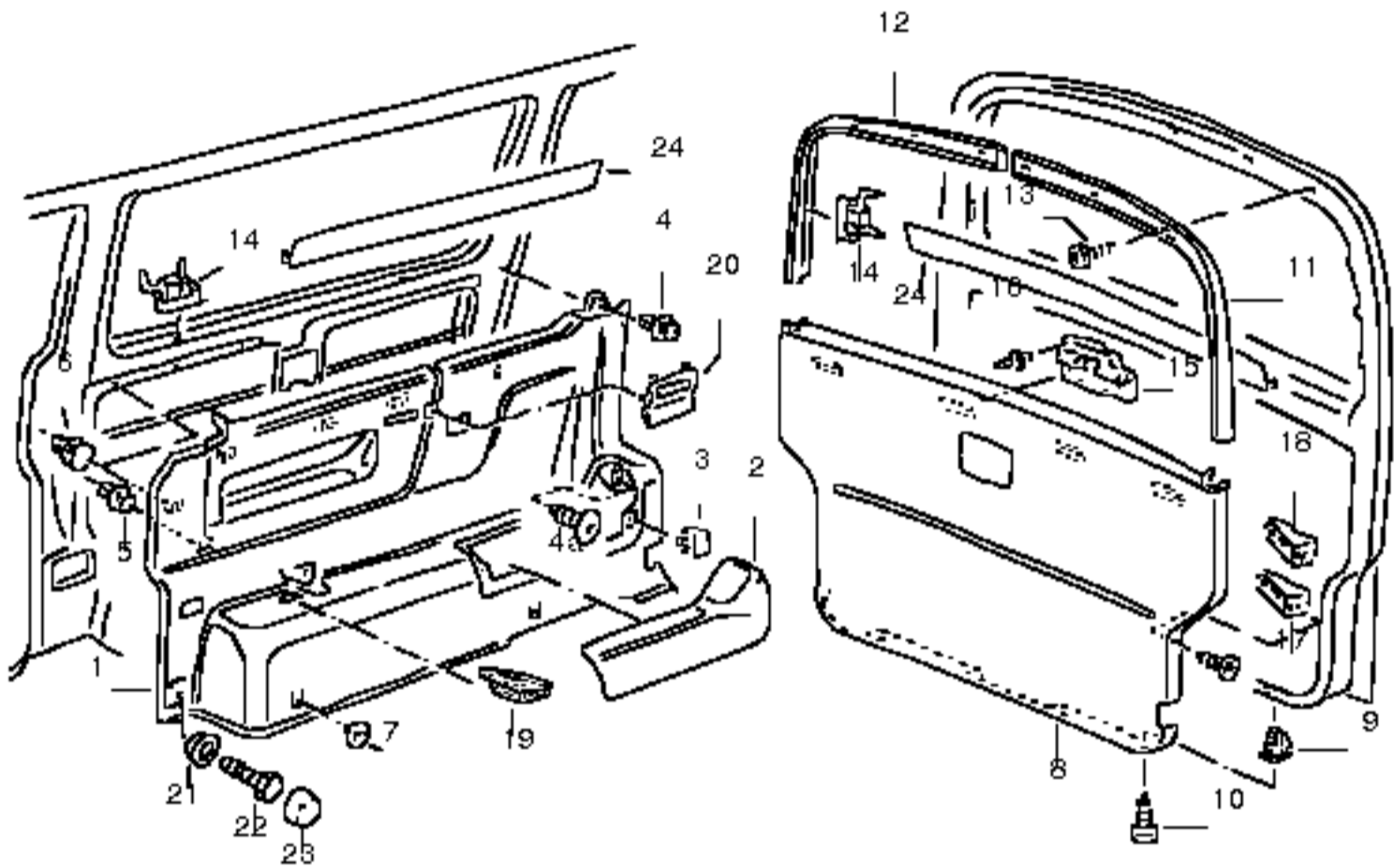
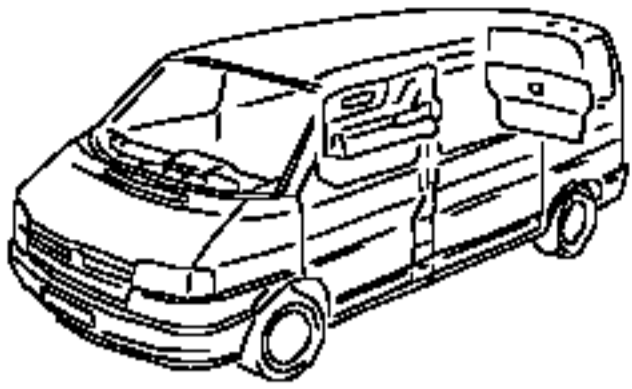
(12) 703867306D
side panel trim / right front / estate car:
(plastic) / PR-5DE
703867306D 1YX flint grey

(12) 703867306E
side panel trim (fiberboard) / right front / estate car:
/ PR-5DB/5DF
703867306E 9ZW flint grey

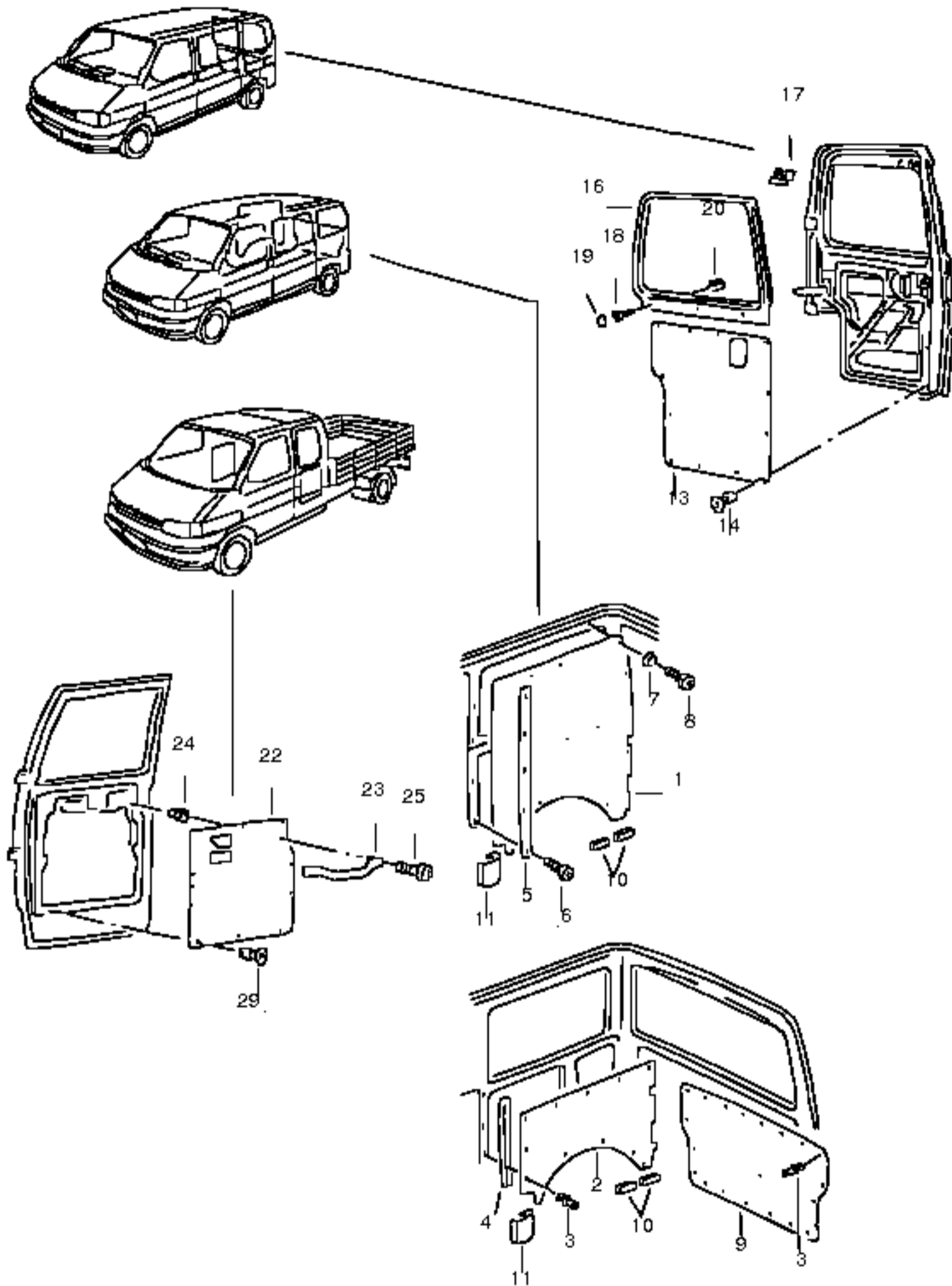
13 701867741
clamping profile

- 533863288A
felt strip (self-adhesive) 'order unit 25' / 20X3X880MM

- 705868835
foam packing (self-adhesive)



- side panel trim / rear
- trim panel for tail gate
- F >> 70-1200 000
- (1) 7D0867035L
side panel trim (leatherette) / left rear / CARAVELLE,
/ MULTIVAN
for models with wheelbase: / 2920MM
7D0867035L 7FP lagoon / -AP
7D0867035L 9XW sahara / -BT,NB
- (1) 7D0867035AD
side panel trim (leatherette) / left rear / CARAVELLE,
/ MULTIVAN
7D0867035AD2DQ flannel grey / -AQ,BX,LS,MA
- (1) 7D0867035L
side panel trim (leatherette) / left rear / ambulance
for models with wheelbase: / 2920MM
7D0867035L 9XW sahara / -BT,NB
- (1) 7D0867035J
side panel trim (leatherette) / left rear / CARAVELLE
/ 1300MM
sliding door side
for models with wheelbase: / 2920MM
7D0867035J 7FP lagoon / -AP
- (1) 7D0867035AB
side panel trim (leatherette) / left rear / CARAVELLE,
sliding door side
for models with wheelbase: / 2920MM
7D0867035AB2DQ flannel grey / -AQ,MA
- (1) 7D0867035D
side panel trim (leatherette/cloth) / left rear / CARAVELLE GL
/ 1145MM / ALLSTAR,
for vehicles with sliding door / right / TOP-STAR,
for models with wheelbase: / 2920MM / MULTIVAN
7D0867035D EPV flannel grey / -UF
7D0867035D EPW sahara / -UG
7D0867035D EPX lagoon / -UE
7D0867035D EQA flannel grey / -WK
7D0867035D HUP flannel grey / -KQ
- (1) 7D0867035M
side panel trim (leatherette/cloth) / left rear / CARAVELLE GL
/ 1145MM / ALLSTAR
for vehicles with sliding door / right / TOP-STAR,
for models with wheelbase: / 2920MM / MULTIVAN
7D0867035M EQA flannel grey / -WK
7D0867035M HUP flannel grey / -KQ
7D0867035M HUR light beige / -KS
- (1) 7D0867035AE
side panel trim (leatherette/cloth) / left rear
for vehicles with sliding door / right
for models with wheelbase: / 2920MM
7D0867035AEHUP flannel grey / -KQ
7D0867035AEHUR light beige / -KS,NA
7D0867035AEHUS flannel grey / -AQ
7D0867035AEPAF flannel grey / -41
7D0867035AEPAL flannel grey/blue / -44
7D0867035AEPAS flannel grey/red / -43
- (1) 7D0867035R
side panel trim (leatherette/cloth) / left rear / MULTIVAN 2
/ 1145MM
for models with wheelbase: / 2920MM
7D0867035R HUS flannel grey / -AQ,RW,RX,RY, / RZ,22,51
- (1) 7D0867035E
side panel trim (leatherette/cloth) / left rear / CARAVELLE GL
/ 1300MM / ALLSTAR,
sliding door side / MULTIVAN
for models with wheelbase: / 2920MM
7D0867035E EPV flannel grey / -UF
7D0867035E EPW sahara / -UG
7D0867035E EPX lagoon / -UE
- (1) 7D0867035K
side panel trim (leatherette/cloth) / left rear / CARAVELLE GL
/ 1300MM / ALLSTAR,
sliding door side / MULTIVAN
for models with wheelbase: / 2920MM
7D0867035K HUP flannel grey / -KQ
7D0867035K HUQ lagoon / -KR
- (1) 7D1867035L
side panel trim / left rear / CARAVELLE GL
for vehicles with sliding door / right
for vehicles with sliding door / left a. right
for leather trim
for models with wheelbase: / 2920MM
7D1867035L.GEW sahara / -VK
- (1) 7D1867035N
side panel trim / left rear / CARAVELLE GL
for vehicles with sliding door / right
for leather trim
for models with wheelbase: / 2920MM
7D1867035N GGT lagoon / -VJ,YQ
7D1867035N HUT light beige / -VH,YR
- (1) 7D1867035T
side panel trim / left rear / CARAVELLE GL
for vehicles with sliding door / left
for leather trim
for models with wheelbase: / 2920MM
7D1867035T PEP lagoon
- (1) 725867035
side panel trim (leatherette) / left rear
/ 1540MM
for vehicles with sliding door / right
for models with wheelbase: / 3320MM
725867035 2DQ flannel grey / CARAVELLE
- (1) 7D3867035D
side panel trim (leatherette) / left rear / PR-5DC,SQ0
for vehicles with sliding door / right
for models with wheelbase: / 3320MM
7D3867035D 9XW sahara / ambulance
7D3867035D 2DQ flannel grey / -AQ,BX,MA
7D3867035D 7FP lagoon / -AP
- (1) 725867035A
side panel trim (leatherette) / left rear / CARAVELLE
/ 1700MM
sliding door side
for models with wheelbase: / 3320MM
725867035A 2DQ flannel grey
- (1) 7D3867035F
side panel trim (leatherette) / left rear / CARAVELLE
/ 1700MM
sliding door side
for models with wheelbase: / 3320
7D3867035F 2DQ flannel grey / -AQ
7D3867035F 7FP lagoon / -AP
- (1) 725867035B
side panel trim (leatherette/cloth) / left rear / CARAVELLE GL
/ 1540MM / MULTIVAN
for vehicles with sliding door / right
for models with wheelbase: / 3320MM
725867035B EPV flannel grey / -UF
725867035B EPW sahara / -UG
725867035B EPX lagoon / -UE
- (1) 7D3867035G
side panel trim (leatherette/cloth) / left rear / CARAVELLE GL
/ 1540MM / MULTIVAN
for vehicles with sliding door / right
for models with wheelbase: / 3320MM
7D3867035G HUP flannel grey / -KQ
7D3867035G HUQ lagoon / -KR
7D3867035G HUR light beige / -KS
- (1) 725867035C
side panel trim (leatherette/cloth) / left rear / CARAVELLE GL
/ 1700MM / MULTIVAN
sliding door side
for models with wheelbase: / 3320MM
725867035C EPV flannel grey / -UF
725867035C EPW sahara / -UG
725867035C EPX lagoon / -UE
- (1) 7D3867035H
side panel trim (leatherette/cloth) / left rear / CARAVELLE GL
/ 1700MM / MULTIVAN
sliding door side
for models with wheelbase: / 3320MM
7D3867035H HUP flannel grey / -KQ
7D3867035H HUQ lagoon / -KR
- (1) 7D0867036BJ
side panel trim (leatherette) / right rear / CARAVELLE,
/ MULTIVAN-
sliding door side / CLASSIC
for models with wheelbase: / 2920MM
7D0867036BJ2DQ flannel grey / -AQ,BX,LS,MA
7D0867036BJ7FP lagoon / -AP
- (1) 7D0867036AD
side panel trim (leatherette) / right rear / CARAVELLE
/ 1145MM
for vehicles with sliding door / left
for models with wheelbase: / 2920MM
7D0867036AD2DQ flannel grey / -AQ,BX,LS,MA
7D0867036AD7FP lagoon / -AP
- (1) 7D0867036F
side panel trim (leatherette/cloth) / right rear / CARAVELLE GL
/ 1300MM / ALLSTAR,
sliding door side / MULTIVAN
for models with wheelbase: / 2920MM
7D0867036F EPV flannel grey / -UF
7D0867036F EPW sahara / -UG
7D0867036F EPX lagoon / -UE
7D0867036F HUS flannel grey / -RW,RX,RY,RZ, / 22,AQ
- (1) 7D0867036AK
side panel trim (leatherette/cloth) / right rear / CARAVELLE GL
/ 1300MM / ALLSTAR,
sliding door side / MULTIVAN
for models with wheelbase: / 2920MM
7D0867036AKHUP flannel grey / -KQ
7D0867036AKHUQ lagoon / -KR
7D0867036AKHUR light beige / -KS,NA
7D0867036AKHUS flannel grey / -AQ,RW,RX,RY, / RZ,51
7D0867036AKJBY flannel grey / -UC
- (1) 7D0867036BH
side panel trim (leatherette/cloth) / right rear / CARAVELLE GL
/ ALLSTAR
sliding door side
7D0867036BHEQA flannel grey / -WL / COACH
7D0867036BBHUP flannel grey / -KQ
7D0867036BBHUQ lagoon / -KR
7D0867036BBHUR light beige / -KS,NA
7D0867036BBHUS flannel grey / -AQ,RW,RX,RY, / RZ,51
7D0867036BBHUBY flannel grey / -UC
- (1) 7D0867036AR
side panel trim (leatherette/cloth) / right rear / MULTIVAN II
/ 1300MM
sliding door side
for models with wheelbase: / 2920MM
7D0867036ARHUS flannel grey / -AQ,RW,RX,RY, / RZ
- (1) 7D0867036G
side panel trim (leatherette/cloth) / right rear / CARAVELLE GL
/ 1145MM / MULTIVAN
for vehicles with sliding door / left
for models with wheelbase: / 2920MM
7D0867036G EPV flannel grey / -UF
7D0867036G EPW sahara / -UG
7D0867036G EPX lagoon / -UE
7D0867036G HUQ lagoon / -KR
- (1) 7D0867036AE
side panel trim (leatherette/cloth) / right rear / CARAVELLE GL
/ 1145MM / MULTIVAN
for vehicles with sliding door / left
for models with wheelbase: / 2920MM
7D0867036AEHUP flannel grey / -KQ
7D0867036AEHUR light beige / -KR
- (1) 7D0867036BL
side panel trim (leatherette/cloth) / right rear / CARAVELLE GL
/ MULTIVAN
for vehicles with sliding door / left
for models with wheelbase: / 2920MM
7D0867036BLHUR light beige / -KS
- (1) 7D3867036
side panel trim (leatherette) / right rear / ambulance
/ 1700MM
sliding door side
for models with wheelbase: / 3320MM
7D3867036 9XW sahara / -BT,NB
- (1) 725867036AK
side panel trim (leatherette) / right rear / CARAVELLE
/ 1700MM
sliding door side
for models with wheelbase: / 3320MM
725867036AK2DQ flannel grey
- (1) 7D3867036
side panel trim (leatherette) / right rear / CARAVELLE
/ 1700MM
sliding door side
for models with wheelbase: / 3320MM
7D3867036 2DQ flannel grey / -AQ,BX,MA
7D3867036 7FP lagoon / -AP
- (1) 7D3867036B
side panel trim (leatherette) / right rear / CARAVELLE
for vehicles with wing door
for models with wheelbase: / 3320MM
7D3867036B 2DQ flannel grey / -AQ,MA
7D3867036B 7FP lagoon / -AP
- (1) 725867036AM
side panel trim (leatherette/cloth) / right rear / CARAVELLE GL
/ 1700MM
sliding door side
for models with wheelbase: / 3320MM
725867036AMEPW sahara / -UG
725867036AMEPX lagoon / -UE
- (1) 7D3867036D
side panel trim (leatherette/cloth) / right rear / CARAVELLE GL
/ 1700MM
sliding door side
for models with wheelbase: / 3320MM
7D3867036D EPV flannel grey / -UF
7D3867036D HUP flannel grey / -KQ
7D3867036D HUQ lagoon / -KR
- (1) 725867036AN
side panel trim (leatherette/cloth) / right rear / CARAVELLE GL
/ 1540MM / MULTIVAN
for vehicles with sliding door / left
for models with wheelbase: / 3320MM
725867036ANEPW flannel grey / -UF
725867036ANEPW sahara / -UG
725867036ANEPX lagoon / -UE
- (1) 7D3867036F
side panel trim (leatherette/cloth) / right rear / CARAVELLE GL
/ 1540MM
for vehicles with sliding door / left
for models with wheelbase: / 3320MM
7D3867036F HUP flannel grey / -KQ
7D3867036F HUQ lagoon / -KR
- (1A) 7D0867036AH
side panel trim (leatherette) / right rear / CARAVELLE,
/ 1145MM / MULTIVAN-
for vehicles with air condit. / CLASSIC
for models with wheelbase: / 2920MM
7D0867036AH7FP lagoon / -AP
- (1A) 7D0867036BP
side panel trim (leatherette) / right rear / CARAVELLE,
/ MULTIVAN-
for vehicles with air condit. / CLASSIC
for models with wheelbase: / 2920MM
7D0867036BP2DQ flannel grey / -AQ,MA
- (1A) 7D0867036BM
side panel trim (leatherette) / right rear / CARAVELLE,
/ MULTIVAN-
sliding door side / CLASSIC
for vehicles with air condit.
for models with wheelbase: / 2920MM
7D0867036BM2DQ flannel grey / -AQ,MA
7D0867036BM7FP lagoon / -AP
- (1A) 7D0867036J
side panel trim (leatherette/cloth) / right rear / CARAVELLE GL
/ 1145MM / MULTIVAN,
for vehicles with air condit. / ALLSTAR
for vehicles with 2nd evaporator
for models with wheelbase: / 2920MM
7D0867036J EPV flannel grey / -UF
7D0867036J EPW sahara / -UG
7D0867036J EPX lagoon / -UE
- (1A) 7D0867036AJ
side panel trim (leatherette/cloth) / right rear / CARAVELLE GL
/ 1145MM / ALLSTAR,
for vehicles with air condit. / MULTIVAN
for models with wheelbase: / 2920MM
(sliding door, left)
7D0867036AJHUP flannel grey / -KQ
7D0867036AJHUQ lagoon / -KR
- (1A) 7D0867036H
side panel trim (leatherette/cloth) / right rear / CARAVELLE GL
/ 1300MM / ALLSTAR,
sliding door side / MULTIVAN
for vehicles with air condit.
for models with wheelbase: / 2920MM
7D0867036H EPV flannel grey / -UF
7D0867036H EPW sahara / -UG
7D0867036H EPX lagoon / -UE
- (1A) 7D0867036AG
side panel trim (leatherette/cloth) / right rear / CARAVELLE GL
/ MULTIVAN,
sliding door side / 1300MM / ALLSTAR,
for vehicles with air condit. / MULTIVAN II
for models with wheelbase: / 2920MM
7D0867036AGEQA flannel grey / -WK,WL
7D0867036AGHUQ lagoon / -KR
7D0867036AGHUR light beige / -KS
- (1A) 7D0867036BN
side panel trim (leatherette/cloth) / right rear / CARAVELLE GL
/ MULTIVAN,
sliding door side / ALLSTAR,
for vehicles with air condit. / MULTIVAN II
for models with wheelbase: / 2920MM
7D0867036BNHUP flannel grey / -KQ
- (1A) 7D0867036BG
side panel trim / right rear / CARAVELLE GL
/ MULTIVAN,
sliding door side / ALLSTAR,
for vehicles with air condit. / MULTIVAN II
for models with wheelbase: / 2920MM
7D0867036BGHUS flannel grey / -AQ,RW,RX,RY, / RZ,22,51
- (1A) 7D1867036AS
side panel trim / right rear / CARAVELLE GL
sliding door side / 1300MM
for models with wheelbase: / 2920MM
7D1867036ASGHT sahara / -VK
7D1867036ASHT light beige / -VH
- (1A) 7D1867036BA
side panel trim / right rear / CARAVELLE GL
sliding door side / 1300MM
for models with wheelbase: / 2920MM
7D1867036BAGHT lagoon / -VJ
7D1867036BAHUT light beige / -VH
- (1A) 7D3867036H
side panel trim (leatherette) / right rear / CARAVELLE
/ 1540MM
for vehicles with air condit.
for vehicles with 2nd evaporator
(sliding door, left)
for models with wheelbase: / 3320MM
7D3867036H 2DQ flannel grey / -AQ,MA
7D3867036H 7FP lagoon / -AP
- (1A) 7D3867036J
side panel trim (leatherette) / right rear / CARAVELLE,
/ 1700MM / MULTIVAN-
sliding door side / CLASSIC
for vehicles with air condit.
for models with wheelbase: / 3320MM
7D3867036J 2DQ flannel grey / -AQ,MA
7D3867036J 7FP lagoon / -AP
- (1A) 7D3867036E
side panel trim (leatherette) / right rear / CARAVELLE GL
/ 1700MM / MULTIVAN
sliding door side
for vehicles with air condit.
for vehicles with 2nd evaporator
for models with wheelbase: / 3320MM
7D3867036E EPV flannel grey / -UF
7D3867036E EPW sahara / -UG
7D3867036E EPX lagoon / -UE
- (1A) 7D3867036K
side panel trim (leatherette) / right rear / CARAVELLE GL
/ 1700MM / MULTIVAN
sliding door side
for vehicles with air condit.
for vehicles with 2nd evaporator
for models with wheelbase: / 3320MM
7D3867036K HUP flannel grey / -KQ
7D3867036K HUQ lagoon / -KR
- (1A) 7D3867036L
side panel trim (leatherette/cloth) / right rear / CARAVELLE GL
/ 1540MM / MULTIVAN
for vehicles with sliding door / left
for vehicles with air condit.
for models with wheelbase: / 3320MM
7D3867036L HUP flannel grey / -KQ
7D3867036L HUQ lagoon / -KR
- (1B) 705867076B
inspection cover
705867076B 2DQ flannel grey
705867076B 7FP lagoon
705867076B Q75 light beige
- covering
door hinge
for wing door
see illustration: / 827-50, POS.25
- 7D0857288
mounting for loudspeaker / right rear / MULTIVAN II
/ PP, FM9
7D0857288 7DE flannel grey / -AQ,KQ,RW,RX, / RY,RZ
- 7D0857227A
loudspeaker grille / left/right / MULTIVAN II
/ PP, FM9
7D0857227A U71 flannel grey / -AQ,KQ,RW,RX, / RY,RZ
- (2) 705868433
cover / left
705868433 2DQ flannel grey
705868433 7FP lagoon
705868433 Q75 light beige
- 2 705868434
cover / right
705868434 2DQ flannel grey
705868434 7FP lagoon
705868434 Q75 light beige
- 3 705868439
retaining clip
- 4 701867299
clip
701867299 J51 lagoon
701867299 U71 flannel grey
- 4A N 90201601
plug / A8X22,75X20
N 90201601E91 mistral (grey)
N 90201601U71 flannel grey
N 9020160101C satin black
- 5 705867299
clip
- 6 701867549
clip
- 7 N 90357702
press stud / 9,5X8X30
N 90357702J51 lagoon
N 90357702U71 flannel grey
N 90357702U9W sahara
- (8) 7D0867601A
trim panel for tail gate
adapt with workshop equipment
7D0867601A 9XW sahara
- (8) 7D0867601D
trim panel for tail gate
adapt with workshop equipment
7D0867601D Q75 light beige
7D0867601D 2DQ flannel grey
7D0867601D 7FP lagoon
- 705867345
distance piece
pull loop
see illustration: / 829-30
- 9 25185684A
expanding nut
- 10 N 90157501
panel screw / B4,2X25
- (11) 705867627E
trim panel for tail gate / left upper
705867627E 2EN pearl grey
705867627E 6PE sahara
705867627E 28R light beige
- (11) 7D0867627B
trim panel for tail gate / left upper / estate car:
/ basic version
7D0867627B Y20 pearl grey
- (12) 705867628E
trim panel for tail gate / right upper
705867628E 2EN pearl grey
705867628E 6PE sahara
705867628E 28R light beige
- (12) 7D0867628B
trim panel for tail gate / right upper / estate car:
/ basic version
7D0867628B Y20 pearl grey
- 14 705867633
clips
- 15 705868615
clips
- 16 N 90576301
pop-rievet / A4X9X8X1,2
- 17 705868617A
clip / lower
- 18 705868618A
clip / upper
- 19 7D0885331A
stop buffer / 37,6MM
for models with tyre size: / 15"
- (19) 7D0885331
stop buffer / 29,3MM
for models with tyre size: / 16"
- (20) 705868803
cover cap / left
for 3 seater bench seat / right
705868803 01C satin black
- (20) 725868803
cover cap
for 3 seater bench seat
for models with wheelbase: / 3320MM
725868803 01C satin black
- 20 705868803A
blind cover / left
/ right
705868803A 01C satin black
- (20) 705868803D
cover cap / right / MULTIVAN,
for 3 seater bench seat / CARAVELLE
for models with air duct / GL
705868803D 01C satin black
- (20) 705868803C
blind cover / right / MULTIVAN,
for models with air duct / CARAVELLE
705868803C 01C satin black
- 21 705857845C
spacer sleeve / 5MM
- 22 11385793E
hexagonal head bolt
- (23) 281857797
cover cap
281857797 01C satin black
- 24 703868333K
sealing / inner / ambulance
703868333K 9UW sahara
- 26 N 90581901
press stud / 20X11X9,5
N 90581901J51 lagoon
N 90581901U71 flannel grey
N 90581901U9W sahara
make up from: / 447 863 985
- 1J0867809
sound absorber (self-adhesive) / 500X490X15
(cotton fiber nap) / center
- 535863288A
felt strip (self-adhesive) 'order unit 25' / 20X3X880MM
- 705868835
foam packing (self-adhesive)



side panel trim / delivery van
 trim panel for tail gate / kombi van
 trim panel for wing door
 trim panel for crew cab door / double cab
 F >> 70-1-200 000
 side panel trim
 F >> 70-1-200 000

(1) 7D0867405AE
 side panel trim / left rear / delivery van (plastic) / 1071MM for models with wheelbase: / 2920MM
 7D0867405AE1YX flint grey

(1) 7D0867405AD
 side panel trim / left rear / delivery van (plastic) / 1045MM sliding door side for models with wheelbase: / 2920MM
 7D0867405AD1YX flint grey

(1) 7D0867405B
 side panel trim (fiberboard) / left rear / delivery van / 1071MM for models with wheelbase: / 2920MM
 7D0867405B 9ZW flint grey

(1) 7D0867405C
 side panel trim (fiberboard) / left rear / delivery van / 1045MM sliding door side for models with wheelbase: / 2920MM
 7D0867405C 9ZW flint grey

(1) 7D3867405AG
 side panel trim / left rear / delivery van (plastic) / 1471MM for models with wheelbase: / 3220MM
 7D3867405AG1YX flint grey

(1) 7D3867405AF
 side panel trim / left rear / delivery van (plastic) / 1445MM sliding door side for models with wheelbase: / 3220MM
 7D3867405AF1YX flint grey

(1) 7D3867405A
 side panel trim (fiberboard) / left rear / delivery van / 1471MM for models with wheelbase: / 3320MM
 7D3867405A 9ZW flint grey

(1) 7D3867405AB
 side panel trim (fiberboard) / left rear / deliver.van: / PR-5DB for vehicles with sliding door / left wheelbase: / 3320MM
 7D3867405AB9ZW flint grey

(1) 7D0867406AB
 side panel trim / right rear / delivery van (plastic) / 1075MM
 7D0867406AB1YX flint grey

(1) 7D0867406AC
 side panel trim / right rear / delivery van (plastic) / 1045MM sliding door side
 7D0867406AC1YX flint grey

(1) 7D0867406G
 side panel trim (fiberboard) / right rear / delivery van / 1071MM
 7D0867406G 9ZW flint grey

(1) 7D0867406R
 side panel trim (fiberboard) / right rear / delivery van / 1071MM
 7D0867406R 9ZW flint grey

(1) 7D0867406A
 side panel trim (fiberboard) / right rear / delivery van / 1045MM sliding door side
 7D0867406A 9ZW flint grey

(1) 7D0867406S
 side panel trim (fiberboard) / right rear / delivery van / 1045MM sliding door side
 7D0867406S 9ZW flint grey

(1) 7D3867406AB
 side panel trim / right rear / delivery van (plastic) / 1471MM for models with wheelbase: / 3320MM
 7D3867406AB1YX flint grey

(1) 7D3867406AC
 side panel trim / right rear / delivery van (plastic) / 1445MM sliding door side for models with wheelbase: / 3320MM
 7D3867406AC1YX flint grey

(1) 7D3867406AC
 side panel trim / right rear / delivery van (plastic) / 1445MM sliding door side for models with wheelbase: / 3320MM
 7D3867406AC1YX flint grey

(1) 7D3867406R
 side panel trim (fiberboard) / right rear / delivery van / 1471MM for models with wheelbase: / 3320MM
 7D3867406R 9ZW flint grey

(1) 7D3867406S
 side panel trim (fiberboard) / right rear / delivery van / 1445MM sliding door side for models with wheelbase: / 3320MM
 7D3867406S 9ZW flint grey

(2) 7D0867405AJ
 side panel trim / left rear / kombi van (plastic) for models with wheelbase: / 2920MM
 7D0867405AJ1YX flint grey

(2) 7D0867405J
 side panel trim (fiberboard) / left rear / kombi van for models with wheelbase: / 2920MM
 7D0867405J 9ZW flint grey

(2) 7D0867405AF
 side panel trim (fiberboard) / left rear / kombi van for models with wheelbase: / 2920MM
 7D0867405AF9ZW flint grey

(2) 7D3867405AL
 side panel trim / left rear / kombi van (plastic) for models with wheelbase: / 3320MM
 7D3867405AL1YX flint grey

(2) 7D3867405AH
 side panel trim (fiberboard) / left rear / kombi van for models with wheelbase: / 3320MM
 7D3867405AH9ZW flint grey

(2) 7D0867406Q
 side panel trim / right rear / kombi van (plastic)
 7D0867406Q 1YX flint grey

(2) 7D0867406J
 side panel trim (fiberboard) / right rear / kombi van
 adapt with workshop equipment
 7D0867406J 9ZW flint grey

(2) 7D0867406N
 side panel trim (fiberboard) / right rear / kombi van
 adapt with workshop equipment
 7D0867406N 9ZW flint grey

(2) 7D3867406Q
 side panel trim / right rear / kombi van (plastic) for models with wheelbase: / 3320MM
 7D3867406Q 1YX flint grey

(2) 7D3867406
 side panel trim (fiberboard) / right rear / kombi van for models with wheelbase: / 3320MM
 adapt with workshop equipment
 7D3867406 9ZW flint grey

3 701867299
 clip
 701867299 1YX flint grey

4 703867433B
 clamping strip / 438MM / kombi van

5 701867535
 cover strip / 1039MM / delivery van

6 N 0140872
 oval hd. csk. self-tapp. screw / ST3,5X16-C

7 N 0117011
 cone washer / A4,4

8 N 0140872
 oval hd. csk. self-tapp. screw / ST3,5X16-C

9 701867605B
 trim panel for tail gate (plastic)
 701867605B 1YX flint grey

(9) 701867605C
 trim panel for rear flap (fibreboard)
 701867605C 9ZW flint grey
 701867605C R48 light beige / camp- mobile:
 / CALIF.BEACH

10 701867741
 clamping profile

(11) 701868787
 cover cap / left
 701868787 01C satin black

11 701868788
 cover cap / right
 701868788 01C satin black

- 533863288A
 felt strip (self-adhesive) 'order unit 25' / 20X3X880MM

- 705868835
 foam packing (self-adhesive) pull loop
 see illustration: / 829-30, POS.35
 trim panel for wing door
 F >> 70-1-200 000

(13) 701867611
 trim panel for wing door / left lower (plastic)
 701867611 1YX flint grey

(13) 701867611A
 trim panel for wing door (fiberboard) / left lower
 701867611A 9ZW flint grey / -BS,BU,BX,LS
 701867611A 6PE sahara / -BT,NB,UG,VA
 701867611A 7DE flannel grey / -AB,MA,UF
 701867611A 2HP lagoon / -UE,VJ
 701867611A 28R light beige

13 701867612B
 trim panel for wing door / right lower (plastic)
 701867612B 1YX flint grey

(13) 701867612C
 trim panel for wing door (fiberboard) / right lower
 701867612C 9ZW flint grey / -BS,BU,BX,LS
 701867612C 6PE sahara / -BT,NB,UG,VK
 701867612C 7DE flannel grey / -AB,MA,UF
 701867612C 2HP lagoon / -UE,VJ
 701867612C 28R light beige

14 701867299
 clip
 701867299 1YX flint grey
 701867299 9UW sahara
 701867299 J51 lagoon
 701867299 U71 flannel grey

(16) 705867627G
 trim panel for wing door / left upper
 705867627G 2EN pearl grey
 705867627G 6PE sahara
 705867627G 28R light beige

16 705867628G
 trim panel for wing door / right upper
 705867628G 2EN pearl grey
 705867628G 6PE sahara
 705867628G 28R light beige

17 705867633B
 clips

18 N 90157501
 panel screw / B4,2X25

19 357867169
 cover cap
 357867169 9UW sahara
 357867169 9XK light grey
 357867169 J51 lagoon
 357867169 U71 flannel grey
 357867169 Y20 pearl grey

20 165827592
 expanding nut / 7MM

- 703868333K
 sealing / inner / ambulance
 703868333K 9UW sahara

- 533863288A
 felt strip (self-adhesive) 'order unit 25' / 20X3X880MM

- 705868835
 foam packing (self-adhesive) trim panel for crew cab door / double cab
 side panel trim pull handle
 F >> 70-1-200 000

(22) 729867203
 trim panel for crew cab door / left (plastic)
 729867203 1YX flint grey

(22) 729867203A
 trim panel for crew cab door (fiberboard) / left
 729867203A 9ZW flint grey

22 729867204
 trim panel for crew cab door / right (plastic)
 729867204 1YX flint grey

(22) 729867204A
 trim panel for crew cab door (fiberboard) / right
 729867204A 9ZW flint grey

23 729841395
 pull handle

24 N 90252104
 rivetted cap nut / AM6/0,5-3

25 N 0141433
 fillister hd. bolt / AM6X22SB

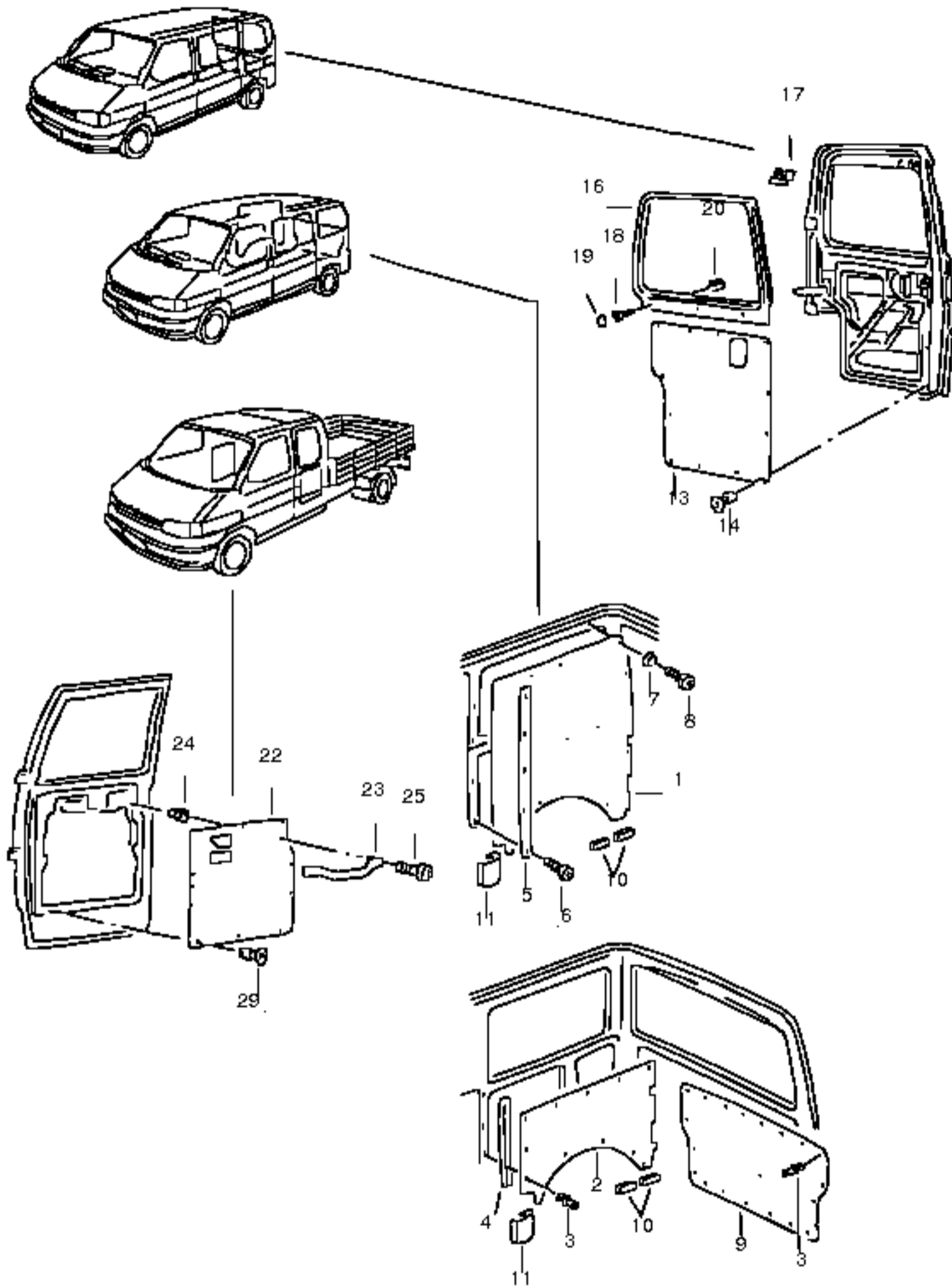
28 729867305
 side panel trim (fiberboard) / left
 729867305 9ZW flint grey

(28) 729867305A
 side panel trim / left (plastic)
 729867305A 1YX flint grey

29 701867299
 clip
 701867299 1YX flint grey

- 533863288A
 felt strip (self-adhesive) 'order unit 25' / 20X3X880MM

- 705868835
 foam packing (self-adhesive)



side panel trim / deliv. van,
 trim panel for tail gate / kombi van
 trim panel for wing door
 trim panel for crew cab door / double cab
 F 70-2-000 001>>
 side panel trim / delivery van
 F 70-2-000 001>>

(1) 7D0867405AE
 side panel trim / left rear / PR-5DE (plastic) for models without sliding door / left wheelbase: / 2920MM
 7D0867405AE1YX flint grey

(1) 7D0867405AA
 side panel trim (fiberboard) / left rear / PR-5DB for models without sliding door / left wheelbase: / 2920MM
 7D0867405AA9ZW flint grey

(1) 7D0867405AD
 side panel trim / left rear / PR-5DE (plastic) for vehicles with sliding door / left wheelbase: / 2920MM
 7D0867405AD1YX flint grey

(1) 7D0867405T
 side panel trim (fiberboard) / left rear / PR-5DB for vehicles with sliding door / left wheelbase: / 2920MM
 7D0867405T 9ZW flint grey

(1) 7D3867405AG
 side panel trim / left rear / PR-5DE (plastic) for models without sliding door / left wheelbase: / 3320MM
 7D3867405AG1YX flint grey

(1) 7D3867405AC
 side panel trim (fiberboard) / left rear / PR-5DB for models without sliding door / left wheelbase: / 3320MM
 7D3867405AC9ZW flint grey

(1) 7D3867405AF
 side panel trim / left rear / PR-5DE (plastic) for vehicles with sliding door / left wheelbase: / 3320MM
 7D3867405AF1YX flint grey

(1) 7D3867405AB
 side panel trim (fiberboard) / left rear / PR-5DB for vehicles with sliding door / left wheelbase: / 3320MM
 7D3867405AB9ZW flint grey

(1) 7D0867406AC
 side panel trim / right rear / PR-5DE (plastic) for vehicles with sliding door / right wheelbase: / 2920MM
 7D0867406AC1YX flint grey

(1) 7D0867406S
 side panel trim (fiberboard) / right rear / PR-5DB for vehicles with sliding door / right wheelbase: / 2920MM
 7D0867406S 9ZW flint grey

(1) 7D0867406AB
 side panel trim / right rear / PR-5DE (plastic) for models without sliding door / right wheelbase: / 2920MM
 7D0867406AB1YX flint grey

(1) 7D0867406R
 side panel trim (fiberboard) / right rear / PR-5DB for models without sliding door / right wheelbase: / 2920MM
 7D0867406R 9ZW flint grey

(1) 7D3867406AC
 side panel trim / right rear / PR-5DE (plastic) for vehicles with sliding door / right wheelbase: / 3320MM
 7D3867406AC1YX flint grey

(1) 7D3867406S
 side panel trim (fiberboard) / right rear / PR-5DB for vehicles with sliding door / right wheelbase: / 3320MM
 7D3867406S 9ZW flint grey

(1) 7D3867406AB
 side panel trim / right rear / PR-5DE (plastic) for models without sliding door / right wheelbase: / 3320MM
 7D3867406AB1YX flint grey

(1) 7D3867406R
 side panel trim (fiberboard) / right rear / PR-5DB for models without sliding door / right wheelbase: / 3320MM
 7D3867406R 9ZW flint grey
 side panel trim / kombi van
 F 70-2-000 001>>

(2) 7D0867405AJ
 side panel trim / left rear / PR-5DE (plastic) wheelbase: / 2920MM
 7D0867405AJ1YX flint grey

(2) 7D0867405AF
 side panel trim (fiberboard) / left rear / PR-5DB/5DF wheelbase: / 2920MM
 7D0867405AF9ZW flint grey

(2) 7D0867406Q
 side panel trim / right rear / PR-5DE (plastic) wheelbase: / 2920MM
 7D0867406Q 1YX flint grey

(2) 7D0867406N
 side panel trim (fiberboard) / right rear / PR-5DB/5DF wheelbase: / 2920MM
 adapt with workshop equipment
 7D0867406N 9ZW flint grey

(2) 7D3867405AL
 side panel trim / left rear / PR-5DE (plastic) wheelbase: / 3320MM
 7D3867405AL1YX flint grey

(2) 7D3867405AH
 side panel trim (fiberboard) / left rear / PR-5DB/5DF wheelbase: / 3320MM
 7D3867405AH9ZW flint grey

(2) 7D3867406Q
 side panel trim / right rear / PR-5DE (plastic) wheelbase: / 3320MM
 7D3867406Q 1YX flint grey

(2) 7D3867406
 side panel trim (fiberboard) / right rear / PR-5DB/5DF wheelbase: / 3320MM
 adapt with workshop equipment
 7D3867406 9ZW flint grey

3 701867299
 clip
 701867299 1YX flint grey

4 703867433B
 clamping strip / 438MM / kombi van

5 701867535
 cover strip / 1039MM / delivery van

6 N 0140872
 oval hd. csk. self-tapp. screw / ST3,5X16-C

7 N 0117011
 cone washer / A4,4

8 N 0140872
 oval hd. csk. self-tapp. screw / ST3,5X16-C

9 701867605B
 trim panel for tail gate / PR-5DE (plastic)
 701867605B 1YX flint grey

(9) 701867605C
 trim panel for rear flap (fibreboard) / PR-5BD/5DF
 701867605C 9ZW
 flint grey

10 701867741
 clamping profile

(11) 701868787
 cover cap / left
 701868787 01C satin black

11 701868788
 cover cap / right
 701868788 01C satin black

- 533863288A
 felt strip (self-adhesivel) 'order unit 25' / 20X3X880MM

- 705868835
 foam packing (self-adhesive) pull loop / deliv. van,
 see illustration: / 829-30, POS.35 / kombi van
 trim panel for wing door
 F 70-2-000 001>>

(13) 701867611
 trim panel for wing door / left lower / PR-5DE (plastic)
 701867611 1YX flint grey

(13) 701867611A
 trim panel for wing door (fiberboard) / left lower / PR-5DA/5DB/ / 5DF
 701867611A 9ZW flint grey / -AQ,BU,BX,KQ, / LS

(13) 701867611A
 trim panel for wing door (fiberboard) / left lower / PR-5DC/5DD/ / 5DT
 701867611A 2HP lagoon / -AP,KR,YQ, / 5DT
 701867611A 28R light beige / -KS,YR
 701867611A 7DE flannel grey / -AQ,BX,KQ,LS, / MA,RW,RX,RY, / RZ,22,41,43, / 44,51

13 701867612B
 trim panel for wing door / right lower / PR-5DE (plastic)
 701867612B 1YX flint grey

(13) 701867612C
 trim panel for wing door (fiberboard) / right lower / PR-5DA/5DB/ / 5DF
 701867612C 9ZW flint grey / -AQ,BU,BX,KQ, / LS

(13) 701867612C
 trim panel for wing door (fiberboard) / right lower / PR-5DC/5DD/
 701867612C 2HP lagoon / -AP,KR,YQ, / 5DT
 701867612C 28R light beige / -KS,YR
 701867612C 7DE flannel grey / -AQ,BX,KQ,LS, / MA,RW,RX,RY, / RZ,22,41,43, / 44,51

14 701867299
 clip
 701867299 J51 lagoon
 701867299 Q70 light beige
 701867299 U71 flannel grey

(16) 705867627G
 trim panel for wing door / left upper
 705867627G 2EN pearl grey
 705867627G 28R light beige

16 705867628G
 trim panel for wing door / right upper
 705867628G 2EN pearl grey
 705867628G 28R light beige

17 705867633B
 clips

18 N 90157501
 panel screw / B4,2X25

19 357867169
 cover cap
 357867169 9XK light grey
 357867169 J51 lagoon
 357867169 U71 flannel grey
 357867169 Y20 pearl grey

20 165827592
 expanding nut / 7MM

- 533863288A
 felt strip (self-adhesivel) 'order unit 25' / 20X3X880MM

- 705868835
 foam packing (self-adhesive) trim panel for crew cab door / double cab
 side panel trim pull handle
 F 70-2-000 001>>

(22) 729867203
 trim panel for crew cab door / left / PR-5DE (plastic)
 729867203 1YX flint grey

(22) 729867203A
 trim panel for crew cab door (fiberboard) / left / PR-5DA/5DB/ / 5DF
 729867203A 9ZW flint grey

22 729867204
 trim panel for crew cab door / right / PR-5DE (plastic)
 729867204 1YX flint grey

(22) 729867204A
 trim panel for crew cab door (fiberboard) / right / PR-5DA/5DB/ / 5DF
 729867204A 9ZW flint grey

23 729841395
 pull handle

24 N 90252104
 rivetted cap nut / AM6/0,5-3

25 N 0141433
 fillister hd. bolt / AM6X22SB

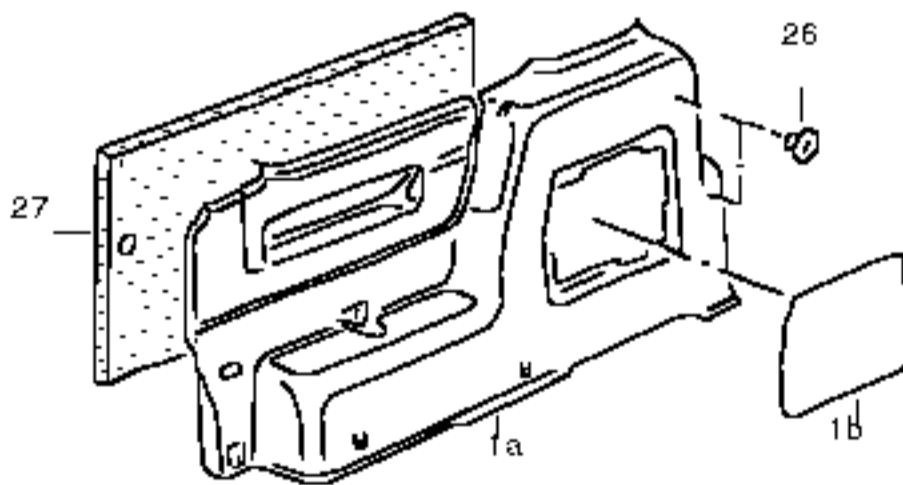
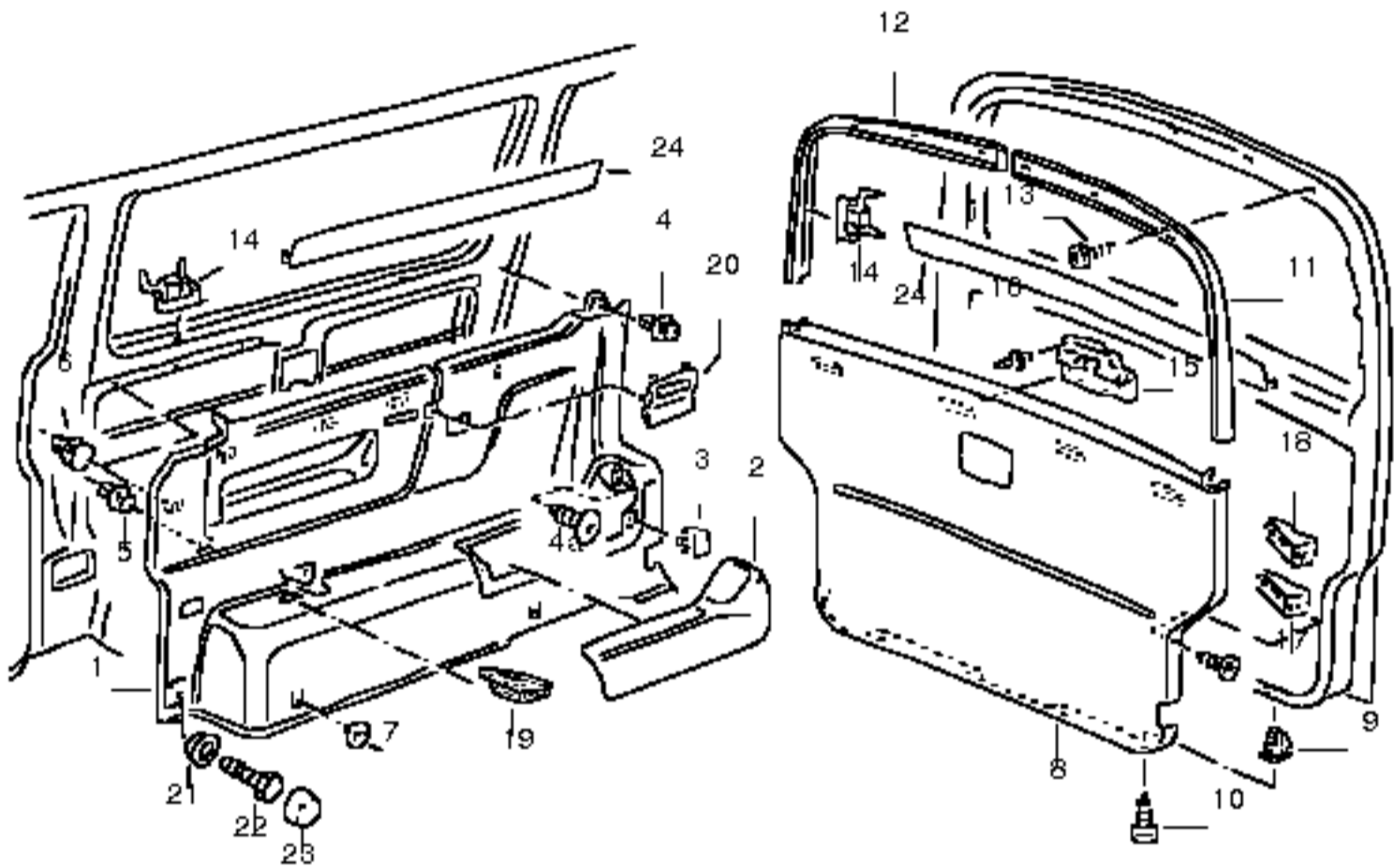
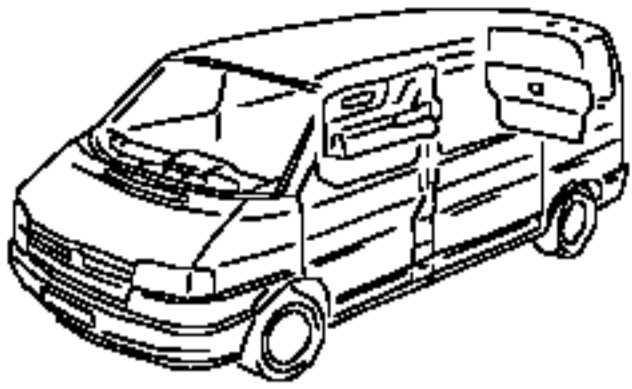
(28) 729867305A
 side panel trim / left / PR-5DE (plastic)
 729867305A 1YX flint grey

28 729867305
 side panel trim (fiberboard) / left / PR-5DB/5DF
 729867305 9ZW flint grey

29 701867299
 clip
 701867299 1YX flint grey

- 533863288A
 felt strip (self-adhesivel) 'order unit 25' / 20X3X880MM

- 705868835
 foam packing (self-adhesive)



side panel trim / delivery van
 trim panel for tail gate / kombi van
 trim panel for wing door
 trim panel for crew cab door / double cab
 F >> 70-1-200 000
 side panel trim
 F >> 70-1-200 000

(1) 7D0867405AE
 side panel trim / left rear / delivery van (plastic)
 / 1071MM for models with wheelbase: / 2920MM
 7D0867405AE1YX flint grey

(1) 7D0867405AD
 side panel trim / left rear / delivery van (plastic)
 / 1045MM sliding door side for models with wheelbase: / 2920MM
 7D0867405AD1YX flint grey

(1) 7D0867405B
 side panel trim (fiberboard) / left rear / delivery van
 / 1071MM for models with wheelbase: / 2920MM
 7D0867405B 9ZW flint grey

(1) 7D0867405C
 side panel trim (fiberboard) / left rear / delivery van
 / 1045MM sliding door side for models with wheelbase: / 2920MM
 7D0867405C 9ZW flint grey

(1) 7D3867405AG
 side panel trim / left rear / delivery van (plastic)
 / 1471MM for models with wheelbase: / 3220MM
 7D3867405AG1YX flint grey

(1) 7D3867405AF
 side panel trim / left rear / delivery van (plastic)
 / 1445MM sliding door side for models with wheelbase: / 3220MM
 7D3867405AF1YX flint grey

(1) 7D3867405A
 side panel trim (fiberboard) / left rear / delivery van
 / 1471MM for models with wheelbase: / 3320MM
 7D3867405A 9ZW flint grey

(1) 7D3867405AB
 side panel trim (fiberboard) / left rear / deliver.van:
 / PR-5DB for vehicles with sliding door / left wheelbase: / 3320MM
 7D3867405AB9ZW flint grey

(1) 7D0867406AB
 side panel trim / right rear / delivery van (plastic) / 1075MM
 7D0867406AB1YX flint grey

(1) 7D0867406AC
 side panel trim / right rear / delivery van (plastic)
 / 1045MM sliding door side
 7D0867406AC1YX flint grey

(1) 7D0867406G
 side panel trim (fiberboard) / right rear / delivery van / 1071MM
 7D0867406G 9ZW flint grey

(1) 7D0867406R
 side panel trim (fiberboard) / right rear / delivery van / 1071MM
 7D0867406R 9ZW flint grey

(1) 7D0867406A
 side panel trim (fiberboard) / right rear / delivery van
 / 1045MM sliding door side
 7D0867406A 9ZW flint grey

(1) 7D0867406S
 side panel trim (fiberboard) / right rear / delivery van
 / 1045MM sliding door side
 7D0867406S 9ZW flint grey

(1) 7D3867406AB
 side panel trim / right rear / delivery van (plastic)
 / 1471MM for models with wheelbase: / 3320MM
 7D3867406AB1YX flint grey

(1) 7D3867406AC
 side panel trim / right rear / delivery van (plastic)
 / 1445MM sliding door side for models with wheelbase: / 3320MM
 7D3867406AC1YX flint grey

(1) 7D3867406AC
 side panel trim / right rear / delivery van (plastic)
 / 1445MM sliding door side for models with wheelbase: / 3320MM
 7D3867406AC1YX flint grey

(1) 7D3867406R
 side panel trim (fiberboard) / right rear / delivery van
 / 1471MM for models with wheelbase: / 3320MM
 7D3867406R 9ZW flint grey

(1) 7D3867406S
 side panel trim (fiberboard) / right rear / delivery van
 / 1445MM sliding door side for models with wheelbase: / 3320MM
 7D3867406S 9ZW flint grey

(2) 7D0867405AJ
 side panel trim / left rear /
 kombi van (plastic) for models with wheelbase: / 2920MM
 7D0867405AJ1YX flint grey

(2) 7D0867405J
 side panel trim (fiberboard) / left rear
 / kombi van for models with wheelbase: / 2920MM
 7D0867405J 9ZW flint grey

(2) 7D0867405AF
 side panel trim (fiberboard) / left rear
 / kombi van for models with wheelbase: / 2920MM
 7D0867405AF9ZW flint grey

(2) 7D3867405AL
 side panel trim / left rear
 / kombi van (plastic) for models with wheelbase: / 3320MM
 7D3867405AL1YX flint grey

(2) 7D3867405AH
 side panel trim (fiberboard) / left rear
 / kombi van for models with wheelbase: / 3320MM
 7D3867405AH9ZW flint grey

(2) 7D0867406Q
 side panel trim / right rear / kombi van (plastic)
 7D0867406Q 1YX flint grey

(2) 7D0867406J
 side panel trim (fiberboard) / right rear / kombi van
 adapt with workshop equipment
 7D0867406J 9ZW flint grey

(2) 7D0867406N
 side panel trim (fiberboard) / right rear / kombi van
 adapt with workshop equipment
 7D0867406N 9ZW flint grey

(2) 7D3867406Q
 side panel trim / right rear
 / kombi van (plastic) for models with wheelbase: / 3320MM
 7D3867406Q 1YX flint grey

(2) 7D3867406
 side panel trim (fiberboard) / right rear
 / kombi van for models with wheelbase: / 3320MM
 adapt with workshop equipment
 7D3867406 9ZW flint grey

3 701867299
 clip
 701867299 1YX flint grey

4 703867433B
 clamping strip / 438MM / kombi van

5 701867535
 cover strip / 1039MM / delivery van

6 N 0140872
 oval hd. csk. self-tapp. screw / ST3,5X16-C

7 N 0117011
 cone washer / A4,4

8 N 0140872
 oval hd. csk. self-tapp. screw / ST3,5X16-C

9 701867605B
 trim panel for tail gate (plastic)
 701867605B 1YX flint grey

(9) 701867605C
 trim panel for rear flap (fibreboard)
 701867605C 9ZW flint grey
 701867605C R48 light beige / camp- mobile:
 / CALIF.BEACH

10 701867741
 clamping profile

(11) 701868787
 cover cap / left
 701868787 01C satin black

11 701868788
 cover cap / right
 701868788 01C satin black

- 533863288A
 felt strip (self-adhesive) 'order unit 25' / 20X3X880MM

- 705868835
 foam packing (self-adhesive) pull loop
 see illustration: / 829-30, POS.35

trim panel for wing door
 F >> 70-1-200 000

(13) 701867611
 trim panel for wing door / left lower (plastic)
 701867611 1YX flint grey

(13) 701867611A
 trim panel for wing door (fiberboard) / left lower
 701867611A 9ZW flint grey / -BS,BU,BX,LS
 701867611A 6PE sahara / -BT,NB,UG,VA
 701867611A 7DE flannel grey / -AB,MA,UF
 701867611A 2HP lagoon / -UE,VJ
 701867611A 28R light beige

13 701867612B
 trim panel for wing door / right lower (plastic)
 701867612B 1YX flint grey

(13) 701867612C
 trim panel for wing door (fiberboard) / right lower
 701867612C 9ZW flint grey / -BS,BU,BX,LS
 701867612C 6PE sahara / -BT,NB,UG,VK
 701867612C 7DE flannel grey / -AB,MA,UF
 701867612C 2HP lagoon / -UE,VJ
 701867612C 28R light beige

14 701867299
 clip
 701867299 1YX flint grey
 701867299 9UW sahara
 701867299 J51 lagoon
 701867299 U71 flannel grey

(16) 705867627G
 trim panel for wing door / left upper
 705867627G 2EN pearl grey
 705867627G 6PE sahara
 705867627G 28R light beige

16 705867628G
 trim panel for wing door / right upper
 705867628G 2EN pearl grey
 705867628G 6PE sahara
 705867628G 28R light beige

17 705867633B
 clips

18 N 90157501
 panel screw / B4,2X25

19 357867169
 cover cap
 357867169 9UW sahara
 357867169 9XK light grey
 357867169 J51 lagoon
 357867169 U71 flannel grey
 357867169 Y20 pearl grey

20 165827592
 expanding nut / 7MM

- 703868333K
 sealing / inner / ambulance
 703868333K 9UW sahara

- 533863288A
 felt strip (self-adhesive) 'order unit 25' / 20X3X880MM

- 705868835
 foam packing (self-adhesive) trim panel for crew cab door
 / double cab
 side panel trim pull handle
 F >> 70-1-200 000

(22) 729867203
 trim panel for crew cab door / left (plastic)
 729867203 1YX flint grey

(22) 729867203A
 trim panel for crew cab door (fiberboard) / left
 729867203A 9ZW flint grey

22 729867204
 trim panel for crew cab door / right (plastic)
 729867204 1YX flint grey

(22) 729867204A
 trim panel for crew cab door (fiberboard) / right
 729867204A 9ZW flint grey

23 729841395
 pull handle

24 N 90252104
 rivetted cap nut / AM6/0,5-3

25 N 0141433
 fillister hd. bolt / AM6X22SB

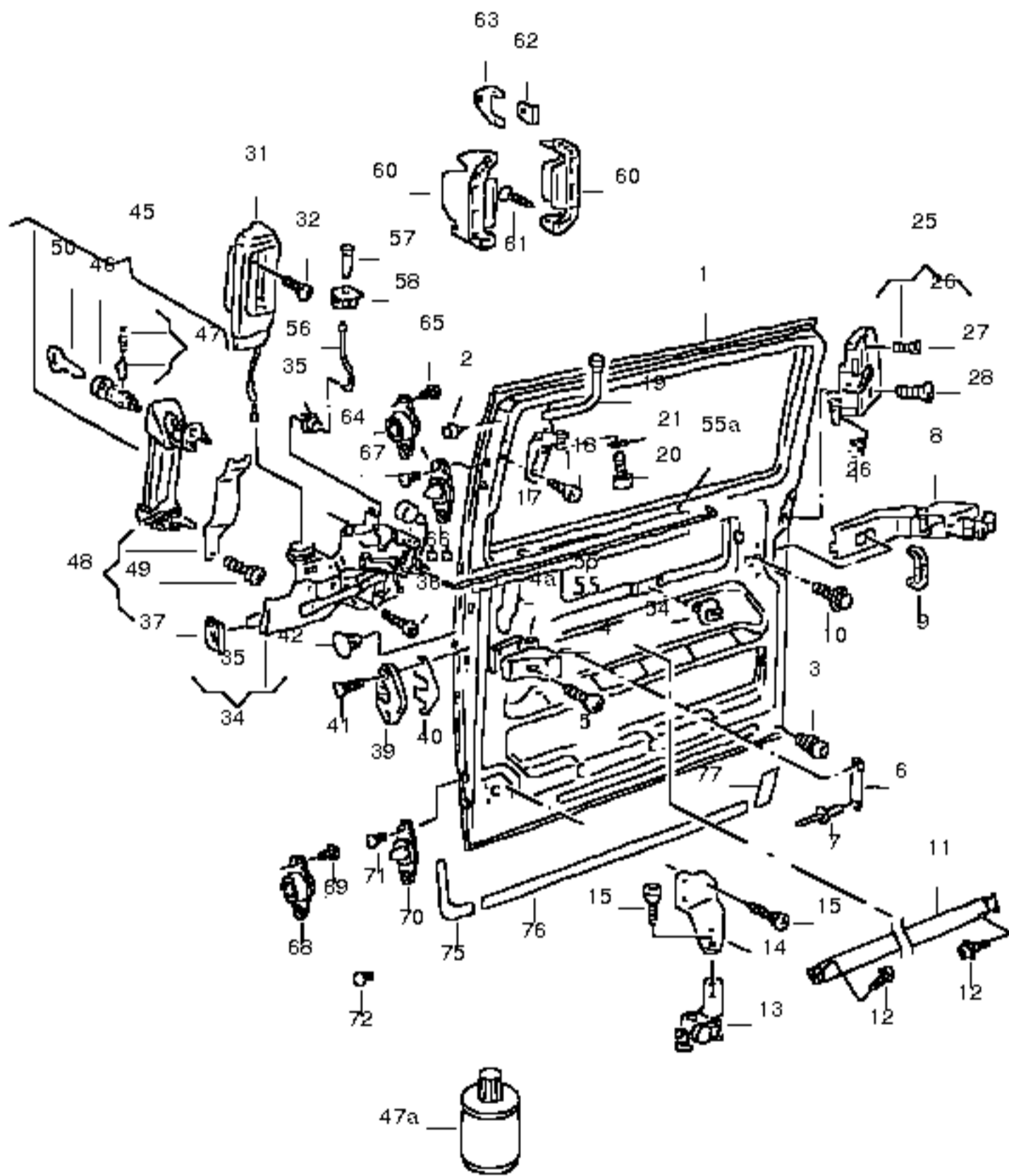
28 729867305
 side panel trim (fiberboard) / left
 729867305 9ZW flint grey

(28) 729867305A
 side panel trim / left (plastic)
 729867305A 1YX flint grey

29 701867299
 clip
 701867299 1YX flint grey

- 533863288A
 felt strip (self-adhesive) 'order unit 25' / 20X3X880MM

- 705868835
 foam packing (self-adhesive)



sliding door

(1) 701843107F
sliding door without window opening / left
adapt with workshop equipment
also use: / 701 843 903
/ 701 843 316
/ 701 947 575

(1) 703843107F
sliding door with window opening / left
adapt with workshop equipment

(1) 7D0843108B
sliding door without window opening / right
adapt with workshop equipment

(1) 7D1843108K
sliding door with window opening / right for models with leather trim

1 7D0843108C
sliding door with window opening / right
adapt with workshop equipment
for high sliding door / right
see illustration: / 843-30

2 701843316
stop buffer / 16X21

3 867827500A
stop buffer / 30X22/12

(3) 867827500A
stop buffer / 30X22/12

4 701843311A
stop for sliding door

(4) 721843312
stop buffer for high sliding door

5 N 0141485
fillister hd. bolt / M8X15

(5) N 0441682
fillister hd. bolt / M8X22
for high sliding door

6 721843318
stop plate for high sliding door c-pillar

7 N 90478601
pop-rivet / A4,8X11 for high sliding door

- N 0147091
allen key head bolt / M8X22

for high sliding door

- N 0147591
allen key head bolt / M6X35

for high sliding door

- N 01152423
washer / A6,4X12,5X1,6 for high sliding door

- N 10172501
allen key head bolt (combi) / M6X22-S4-SP

for high sliding door

4A 721843237
reinforcement plate for high sliding door

- N 10295201
rivetted cap nut / AM6/5-8

(8) 701843335A
hinge (complete) for sliding door / left

8 701843336A
hinge (complete) for sliding door / right

9 701843401
gasket

10 N 10141701
hexagon head bolt c/w shoulder / M10X25
F >> 70-1-152 000*

(10) N 90691901
hexagon head bolt c/w shoulder / M10X30
F 70-1-152 001>>*

11 701843505A
side reinforcement

12 N 90594502
torx socket head combi-bolt / M8X18-H

(13) 701843405B
roller guide for sliding door / left lower

13 701843406B
roller guide for sliding door / right lower

(14) 701843411B
carrier arm / lower
for vehicles with sliding door / left

14 701843412B
carrier arm / lower for vehicles with sliding door / right

(14) 701843412C
carrier arm / lower for vehicles with sliding door / right for wing doors with opening angle: / 250 degrees
F 70-X-067 000>>*

15 N 0141485
fillister hd. bolt / M8X15

17 701843440
carrier / upper / TRANSPORTER

(17) 705843439
carrier / left upper

(17) 705843440
carrier / right upper

18 N 0147405
allen key head bolt / M6X16

19 701843436
roller guide for sliding door / upper / TRANSPORTER

(19) 705843436B
roller guide for sliding door / upper

705843436B Q70 light beige

705843436B Y20 pearl grey

705843436B 9UW sahara

20 N 0147035
allen key head bolt / M6X18

21 N 0154041
washer / 6,4

(25) 701843603D
central lock for sliding door / left

25 701843604D
central lock for sliding door / right

26 191837199
clip

27 N 10167002
countersunk bolt / M8X35

28 N 0330342
countersunk bolt / M8X45

(31) 701843641B
door inner operating lever / left
/ black

31 721843642A
door inner operating lever / right / black

721843642A 01C satin black

(31) 721843642A
door inner operating lever / right for high sliding door / black

721843642A 01C satin black

32 N 0142783
oval head countersunk bolt / AM6X18

(34) 701843653B
remote control lock / left

(34) 701843653C
remote control lock with child-proof catch / left

34 7D1843654D
remote control lock / right

(34) 7D1843654E
remote control lock with child-proof catch / right

(34) 7D1843654D
remote control lock / right for high sliding door

(34) 7D1843654E
remote control lock with child-proof catch / right

35 191837199
clip

36 N 0147506
allen key head bolt / M6X10

37 701843687
collar

39 701843667
catch plate

40 701843683
distance plate

41 N 0331772
countersunk bolt / M8X30

42 701947575
limit stop
for sliding door

(45) 701843703B
door handle, outer / left

(45) 701843703C
door handle exterior (safety lock) / left

(45) 7D0843704A
door handle, outer / right
/ 50MM

(45) 7D0843704B
door handle exterior (safety lock) / right

(45) 7D0843704A
door handle, outer / right for high sliding door / 50MM

(45) 7D0843704B
door handle exterior (safety lock) / right / 50MM for high sliding door

- 701898081C
set of locks for sliding door, right and flap, rear (safety lock)

- 721898081
set of locks for sliding door, right and wing doors, rear (safety lock) for high sliding door

46 701837061C
lock cylinder for door handle without tumblers and key
system 'b' profile ah
for lock combination numbers: 1001-2000,3001-4000,6001-7086, 8201-9282

(46) 701843709A
lock cylinder / left (safety lock)

(46) 701843710
lock cylinder / right (safety lock)

47 443898041A
1 set: tumbler plates for lock cylinder / 13,5MM

47A G 052778A2
lock cylinder lubricant spray / 50ML servicing materials

(48) 701843729B
tensioning clip / left

48 701843730B
tensioning clip / right

49 N 0141485
fillister hd. bolt / M8X15
see illustration: / 837-00

54 701843747
clip

55 701843719A
pull rod for remote control lock / 925,5MM

(55) 7D0843719B
pull rod for remote control lock / right / 1050,5MM

(55) 705843719A
pull rod for remote control lock / left / BUS

(55) 7D0843720
pull rod for remote control lock / right / bus / 1050MM

(55) 7D0843719C
pull rod for remote control lock / right for high sliding door

55A 533863288A
felt strip (self-adhesive) 'order unit 25' / 20X3X880MM

(56) 701843725A
pull rod / left

(56) 705843725A
pull rod / left / BUS

56 701843726
pull rod / right

(56) 705843726
pull rod / right / BUS

57 357837187
knob for locking rod

357837187 01C satin black

58 701837355
collar

701837355 01C satin black

60 281843821A
covering

61 N 0140942
oval hd. csk. self-tapp. screw / ST4,2X16-C

62 701827286B
staple for padlock

63 701827286
staple for padlock

64 701843637
catch plate

65 N 10084701
countersunk bolt / M8X18

66 701843841
detent peg

67 N 10084701
countersunk bolt / M8X18

68 701843637
catch plate

69 N 10084701
countersunk bolt / M8X18

70 701843841
detent peg

71 N 10084701
countersunk bolt / M8X18

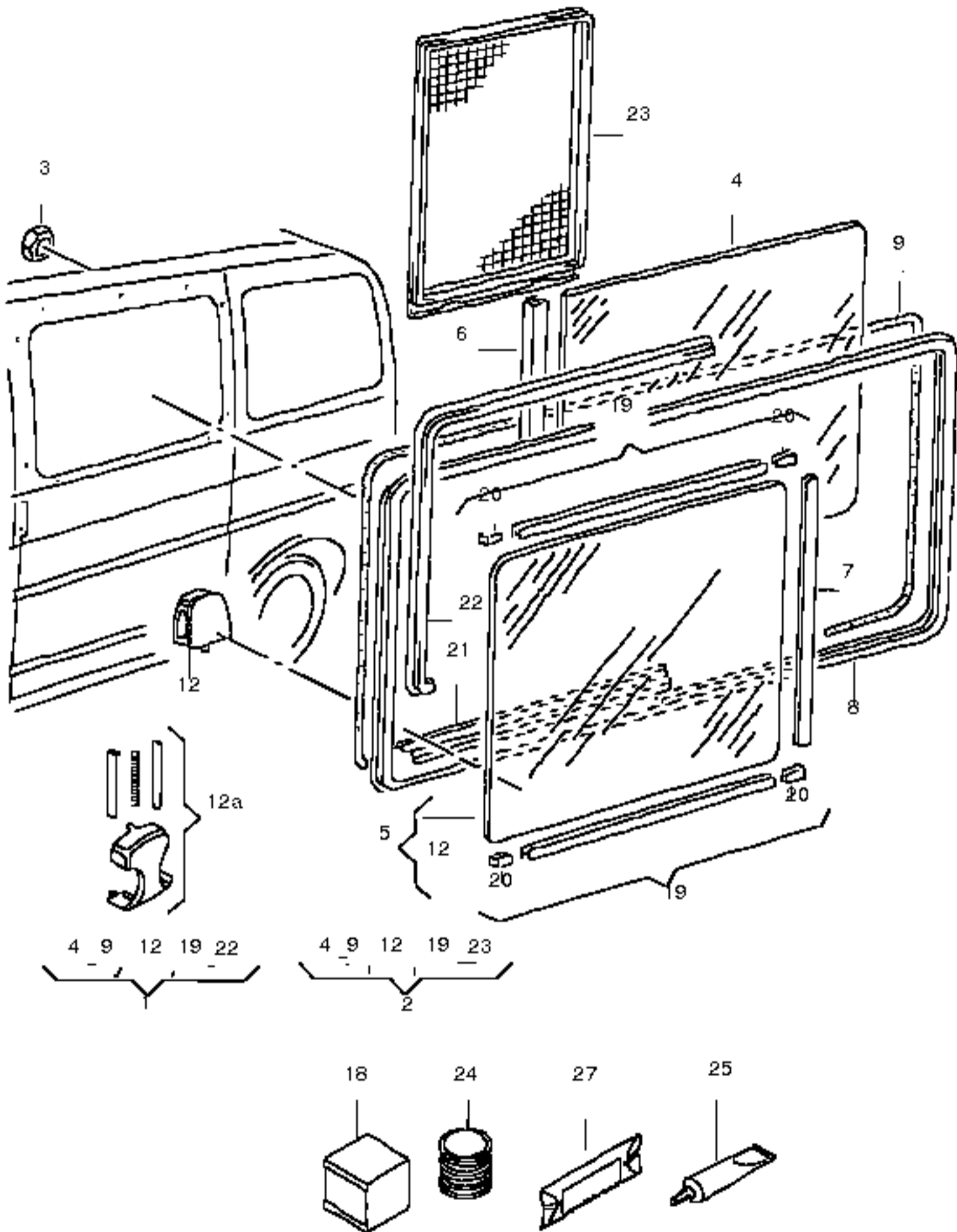
(75) 7D1843357
protective foil / left front

75 7D1843358
protective foil / right front

76 7D0843358
protective foil / center

(77) 7D0843357
protective foil / left rear

77 7D0843358A
protective foil / right rear



sliding window

1 7D0847711P
sliding window, complete / left for sliding door
7D0847711P 01C satin black

(1) 7D0847711N
sliding window, complete / left for side panel
7D0847711N 01C satin black

(1) 7D0847711Q
sliding window, complete / left for side panel / green
7D0847711Q 01C satin black

(1) 7D0847711AA
sliding window, complete (insulat. glass) / left / green/black for side panel
7D0847711AA01C satin black

(1) 7D0847711S
sliding window, complete (insul. glass) / left for side panel
7D0847711S 01C satin black

(1) 7D5847711C
sliding window, complete / left / double cab for side panel / clear glass
7D5847711C 01C satin black

(1) 7D5847711E
sliding window, complete / left / double cab for side panel / green
7D5847711E 01C satin black

(1) 7D0847711P
sliding window, complete / left for sliding door
7D0847711P 01C satin black

(1) 7D0847711R
sliding window, complete / left for sliding door / green
7D0847711R 01C satin black

(1) 7D0847711AB
sliding window, complete (insulat. glass) / left / green/black for sliding door
7D0847711AB01C satin black

(1) 7D5847711B
sliding window, complete / left / double cab for crew cab door / clear glass
7D5847711B 01C satin black

(1) 7D5847711D
sliding window, complete / left / double cab for crew cab door / green
7D5847711D 01C satin black

(1) 703847711H
sliding window, complete (insul. glass) / left for sliding door
703847711H 01C satin black

(1) 7D0847712M
sliding window, complete / right for side panel
7D0847712M 01C satin black

(1) 7D0847712P
sliding window, complete / right for side panel / green
7D0847712P 01C satin black

(1) 7D0847712T
sliding window, complete (insulat. glass) / right / green/black for side panel
7D0847712T 01C satin black

(1) 703847712G
sliding window, complete (insul. glass) / right for side panel
703847712G 01C satin black

(1) 7D0847712N
sliding window, complete / right for sliding door
7D0847712N 01C satin black

(1) 7D0847712Q
sliding window, complete / right for sliding door / green
7D0847712Q 01C satin black

(1) 7D0847712AA
sliding window, complete (insulat. glass) / right / green/black for sliding door
7D0847712AA01C satin black

(1) 7D0847712R
sliding window, complete / right / ambulance for sliding door / part. frosted
7D0847712R 01C satin black

(1) 7D0847712S
sliding window, complete (insul. glass) / right for sliding door
7D0847712S 01C satin black

(1) 7D5847712A
sliding window, complete / right / double cab for crew cab door / clear glass
7D5847712A 01C satin black

(1) 7D5847712B
sliding window, complete / right / double cab for crew cab door / green
7D5847712B 01C satin black

(2) 7D0847711M
sliding window, complete / left for side panel / green for models with fly screen
7D0847711M 01C satin black

(2) 7D0847711AD
sliding window, complete / left for side panel for models with fly screen for vehicles with laminated insulated glass / green/black
7D0847711AD01C satin black

(2) 7D0847712L
sliding window, complete / right for sliding door / green for models with fly screen
7D0847712L 01C satin black

(2) 7D0847712AC
sliding window, complete / right for sliding door for models with fly screen
for vehicles with laminated insulated glass / green/black
7D0847712AC01C satin black

3 N 90522101
domed cap nut / 5X14

(3) N 90757901
hexagon nut, shouldered / E5

4 701845301
side window (non-opening) for side panel / 541X514,5 / left
see workshop manual

(4) 701845301B
side window (non-opening) for side panel / 541X514,5 / left
see workshop manual / green

(4) 701845301F
side window (non-opening) for side panel / 381X514,5 / left for models with fly screen / green
see workshop manual

(4) 7D0845301H
side window (non-opening) for side panel / left / 381X514.5MM for vehicles with laminated insulated glass / green/black
for models with fly screen
see workshop manual

(4) 7D0845301D
side window (non-opening) for side panel / left for vehicles with laminated insulated glass / green/black
see workshop manual

(4) 703845301H
side window, (non-opening) (insul. glass) / 541X514,5 / left for side panel
see workshop manual

(4) 729845301A
side window (non-opening) for side panel / 236X514,5 / double cab / left / clear glass
see workshop manual

(4) 729845301C
side window (non-opening) for side panel / 236X514,5 / double cab / left / green
see workshop manual

(4) 701845301A
side window, (non-movable) for sliding door / 485X514,5 / left
see workshop manual

(4) 701845301C
side window, (non-movable) for sliding door / 485X514,5 / left
see workshop manual / green

(4) 7D0845301E
side window, (non-movable) for sliding door / left for vehicles with laminated insulated glass / green/black
see workshop manual

(4) 703845301J
side window, (non-opening) (insul. glass) / 485X514,5 / left for sliding door
see workshop manual

(4) 729845301
side window (fixed) / 292X514,5 / double cab for crew cab door / left / clear glass
see workshop manual

(4) 729845301B
side window (fixed) / 292X514,5 / double cab for crew cab door / left / green
see workshop manual

(4) 701845302
side window (non-opening) for side panel / 541X514,5 / right
see workshop manual

(4) 7D0845302A
side window (non-opening) for side panel / right for vehicles with laminated insulated glass / green/black
see workshop manual

(4) 701845302A
side window, (non-movable) for sliding door / 485X514,5 / right
see workshop manual

(4) 7D0845302B
side window, (non-movable) for sliding door / right for vehicles with laminated insulated glass / green/black
see workshop manual

(4) 701845302B
side window (non-opening) for side panel / 541X514,5 / right
see workshop manual / green

(4) 701845302C
side window, (non-movable) for sliding door / 485X514,5 / right
see workshop manual / green

(4) 701845302G
side window, (non-movable) for sliding door / 325X514,5 / right for models with fly screen / green
see workshop manual

(4) 703845302G
side window, (non-movable) for sliding door / 485X514,5 / ambulance / right
see workshop manual / part. frosted

(4) 703845302J
side window, (non-opening) (insul. glass) / 485X514,5 / right for sliding door
see workshop manual

(4) 729845302A
side window (non-opening) for side panel / 236X514,5 / double cab / right / clear glass
see workshop manual

(4) 729845302B
side window (non-opening) for side panel / 236X514,5 / double cab / right / green
see workshop manual

(5) 7D0845297B
sliding window / left front for vehicles with laminated insulated glass / green/black

(5) 7D0845297C
sliding window (insul. glass) / 595X499 / left front

(5) 7D0845297D
sliding window / 595X499 / left front / green

5 7D0845297E
sliding window / 595X499 / left front

(5) 7D0845297F
sliding window / left front for models with fly screen for vehicles with laminated insulated glass / green/black

(5) 7D0845297G
sliding window / 755X499 for models with fly screen / left front / green

(5) 7D5845297
sliding window / 345X499 / double cab / left front / clear glass

(5) 7D5845297A
sliding window / 345X499 / double cab / left front / green

(5) 7D0845298B
sliding window / right front for vehicles with laminated insulated glass / green/black

(5) 7D0845298C
sliding window (insul. glass) / 595X499 / right front

(5) 7D0845298D
sliding window / 595X499 / right front / green

(5) 7D0845298E
sliding window / 595X499 / right front

(5) 7D0845298F
sliding window / 595X499 / ambulance / right front / part. frosted

(5) 7D0845298G
sliding window / right front for models with fly screen for vehicles with laminated insulated glass / green/black

(5) 7D0845298H
sliding window / 755X499 for models with fly screen / right front / green

(5) 7D5845298
sliding window / 345X499 / double cab / right front / clear glass

(5) 7D5845298A
sliding window / 345X499 / double cab / right front / green

6 701847701
web

(6) 701847701C
channel for insul. glass

7 701847705
clamping profile

8 701847715
frame - sliding window / left for side panel

(8) 701847715A
frame - sliding window / left for sliding door

(8) 729847715
frame - sliding window / left / double cab for side panel

(8) 701847716
frame - sliding window / right for side panel

(8) 701847716A
frame - sliding window / right for sliding door

(8) 729847716A
frame - sliding window / right / double cab for crew cab door

9 701847759
gasket frame - sliding window shorten if necessary

(12) 7D0847733
handle
also use: / D 180 KD2 A1

12A 7D0847733A
1 set: single parts for handle

19 701847719A
guide profile / upper/lower / 690MM shorten if necessary
with: / 701 847 723
/ 701 847 724

20 701847723
guide piece / left (use in pairs only)

(20) 701847724
guide piece / right (use in pairs only)

21 701847727B
slotted rail / left

(21) 701847727C
slotted rail / left front for models with fly screen

(21) 701847727E
slotted rail / left rear for models with fly screen

(21) 701847728B
slotted rail / right

(21) 701847728C
slotted rail / right for models with fly screen

(21) 701847728E
slotted rail / right for models with fly screen

22 701847767
sealing frame / left upper shorten if necessary

(22) 701847767A
sealing frame / left upper for models with fly screen

(22) 701847768
sealing frame / right upper shorten if necessary

(22) 701847768A
sealing frame / right upper for models with fly screen

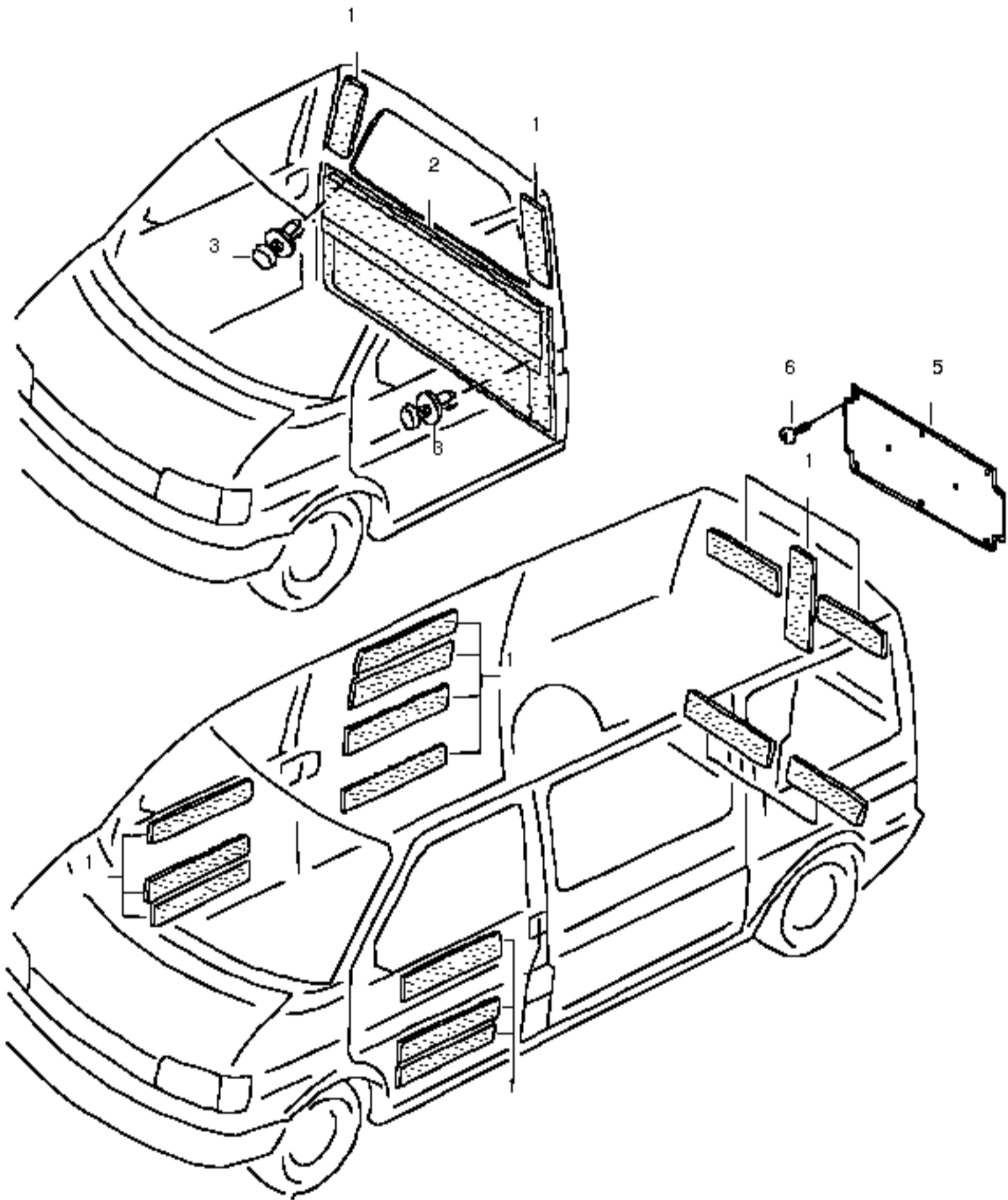
23 701847749
fly screen for sliding window / left
(unsuited for serv installat.)

(23) 701847750
fly screen for sliding window / right
(unsuited for serv installat.)

24 D 180KD2A1
2k-polyurethane-adhesive / 50ML

25 AMV195KD101
adhesive / 3G

27 D 176001A3
silicone adhesive sealant, (black) / 310ML

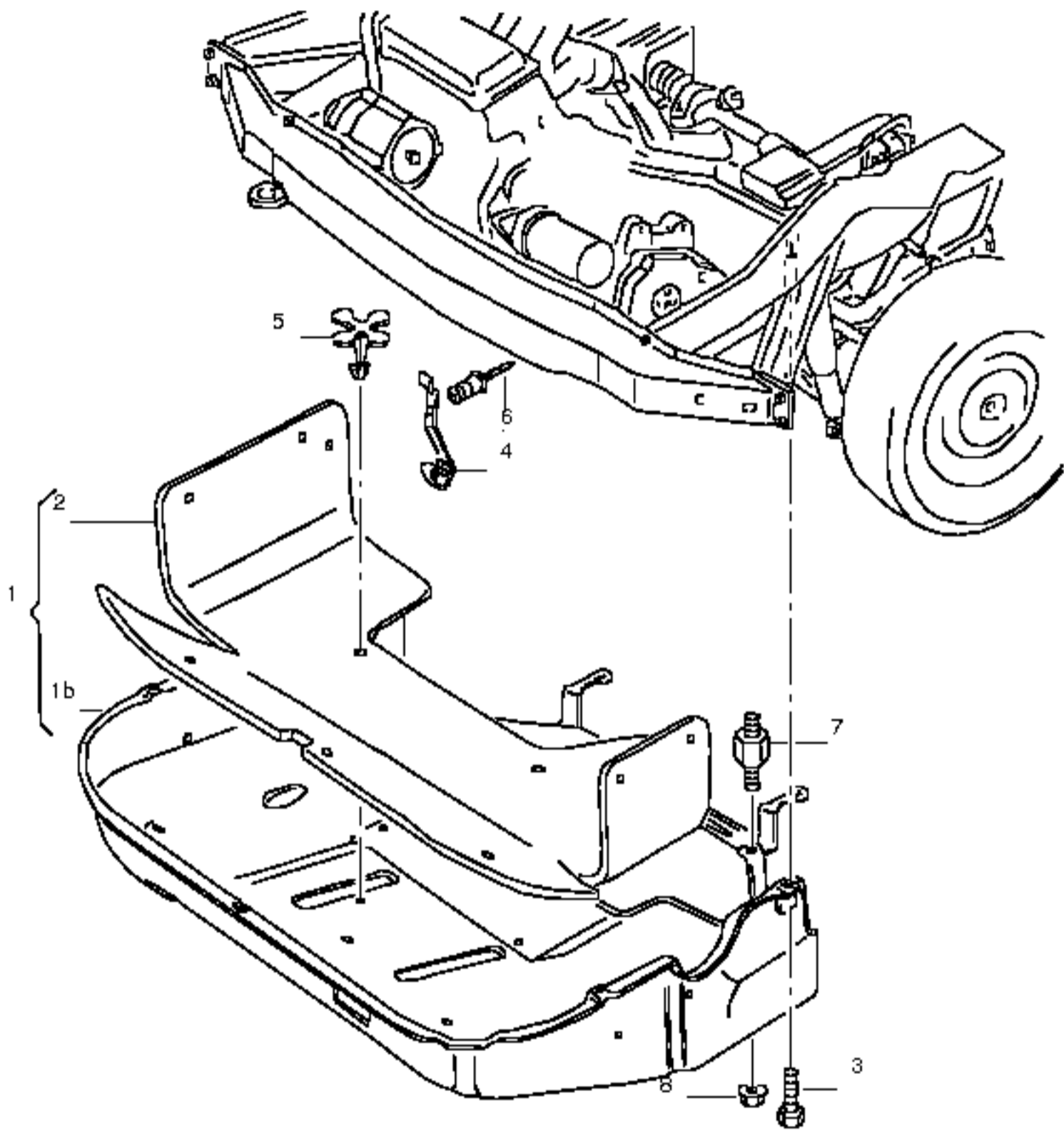


sound absorber for side panel
tailgate / boot lid
sound absorber
make up from: / 323 863 950

- 323863950
sound absorber (self-adhesive) 'order unit 6' / 550X250X2

- 000863421
plastic foam block / 300X200X40 / grey

- 7D1864987A
sound absorber for side wall / 1120X354X30MM
rework if necessary
sound absorber
see illustration: / 868-10
/ POS. (1A)



sound deadener

1 -----

no longer available

(1B) 7D0805685L

damping pan

(1B) 7D0805685K

damping pan / TDI:75KW, / 111KW

(1B) 7D0805685N

damping pan / TDI:65KW

(1B) 7D0805685N

damping pan / TDI:75KW for automatic gearbox

(2) 7D0805696L

sound absorber rework if necessary

(2) 7D0805696E

sound absorber

F 70-Y-060 001>>* / 5-cylinder

rework if necessary

3 N 90481701

hexagon head bolt (combi) / M8X20

4 701805817A

spring clamp

(5) N 90533301

clip / C7,9X9,4X20

6 N 90478601

pop-rivet / A4,8X11

7 191201256

bonded rubber mounting

8 N 90175203

hexagon nut, shouldered / M6

- 02B825235

sound deadener / TDI:65KW gearbox

- 02G825235A

sound deadener / TDI:75/110KW gearbox

- 02G317873

rubber bush

- 02G825555

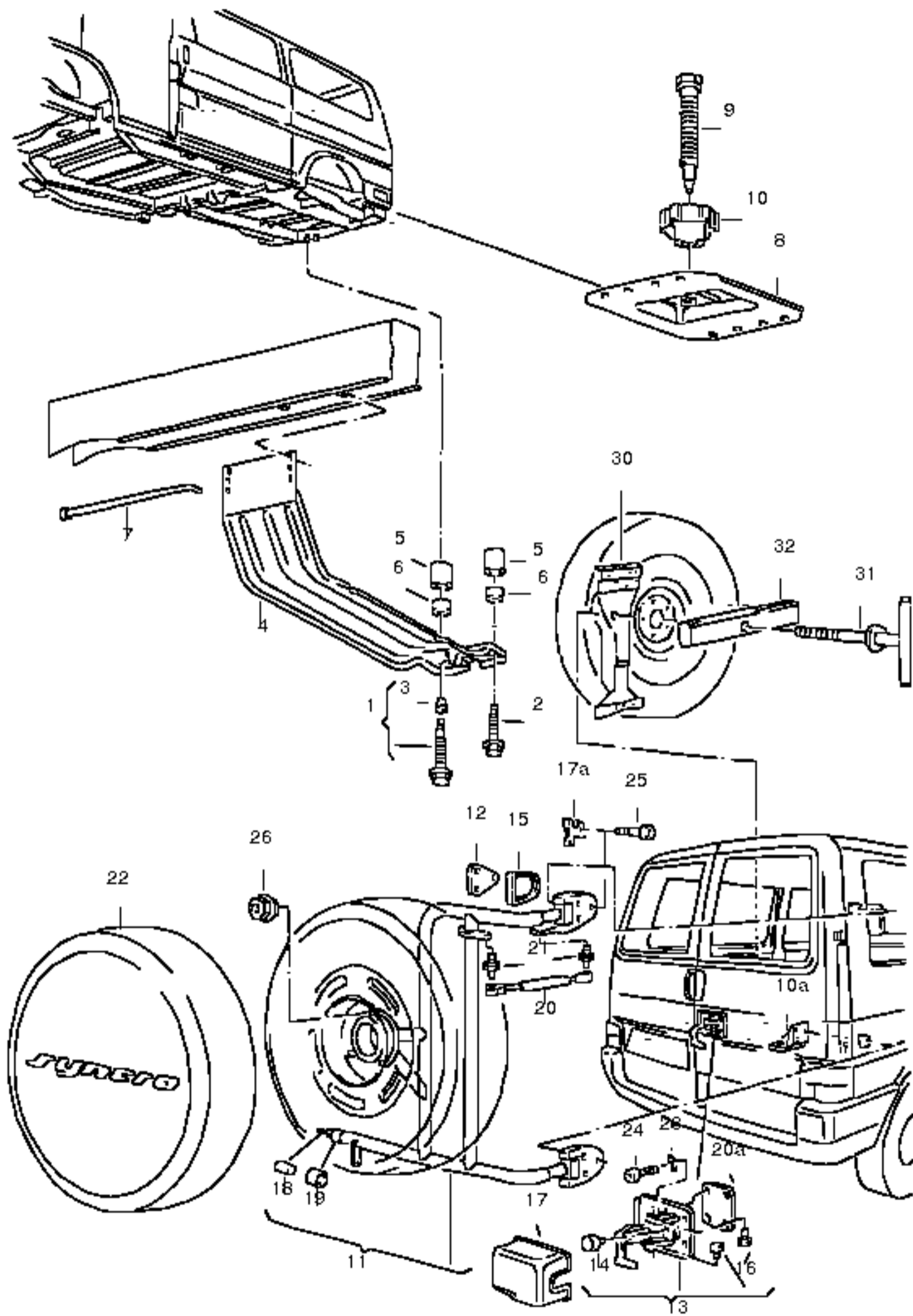
expanding nut

- 02G103952

split rivet

- N 01111816

hexagonal nut / BM8



spare wheel bracket
 spare wheel bracket / rear / delivery van
 / kombi van
 / bus
 / pick-up
 / double cab

1 701801651A
 hexagonal head bolt / 90MM for models with tyre size: / 215 for alum. wheel

(1) 701801651B
 hexagonal head bolt / 58MM for models with tyre size: / 185/195/205

2 701801657B
 hexagonal head bolt / 90MM for models with tyre size: / 215 for alum. wheel

(2) 701801657D
 hexagonal head bolt / 52MM for models with tyre size: / 185/195/205

- 701804719A
 threaded bush / 72,5MM for: spare wheel mounting

3 701801658
 spring clamp

4 701801901A
 spare wheel bracket / 15"

4 7D0801901A
 spare wheel bracket / 16" / delivery van / kombi van / bus

5 701801913
 spacer sleeve for models with tyre size: / 205/215

6 701801917B
 bush / 15MM for models with tyre size: / 205/65X15 for wheel disc 'steel'

(6) 701801917D
 bush / 25MM for models with tyre size: / 205/65X15 for alum. wheel

(6) 701801917C
 bush / 37MM for models with tyre size: / 215/65X15, for alum. wheel / 225/60X16

(6) 701801917E
 bush / 20MM for models with tyre size: / 215/60X16

(6) 701801917F
 bush / 11MM for models with tyre size: / 205/60X16

7 701801949
 retaining rod spare wheel bracket / inner

8 703803655A
 spare wheel bracket for horizontal spare wheel / centre inner or / left

9 703803657A
 hexagonal head bolt / 15" for horizontal spare wheel / centre inner or / left
 F >> 70-2-060 000* / 136MM

(9) 7D0803657
 hexagonal head bolt / 16" for horizontal spare wheel / centre inner or / left
 F 70-2-060 001>>* / 150MM

10 703803899A
 nut for spare wheel mounting for horizontal spare wheel / centre inner or / left

- 703803721A
 trim panel for spare wheel / upper for horizontal spare wheel

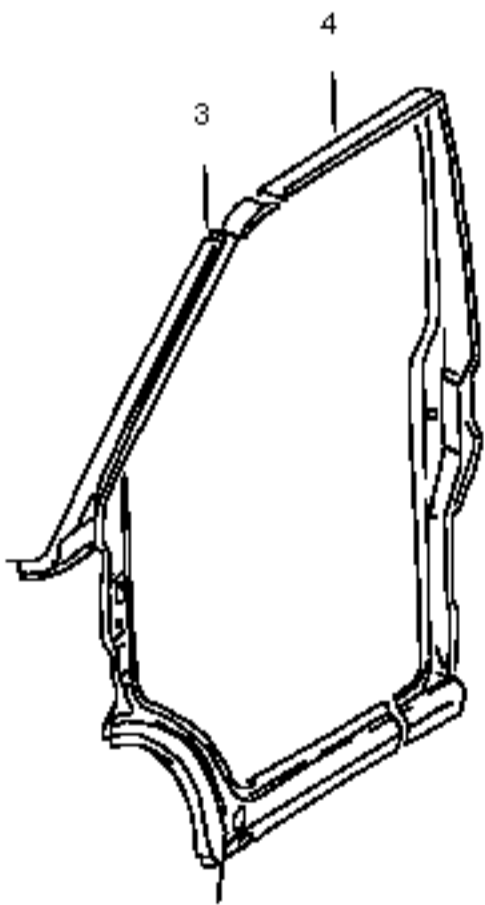
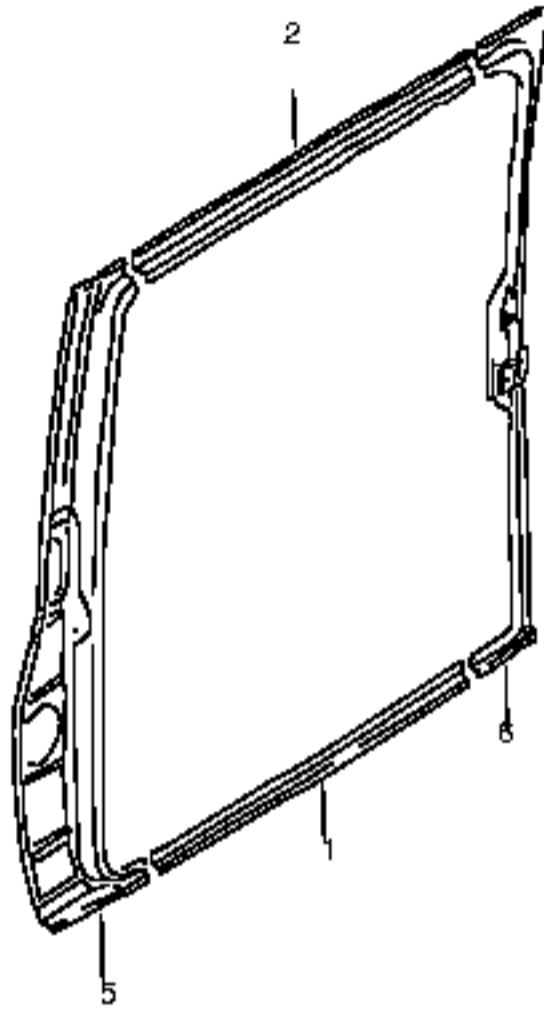
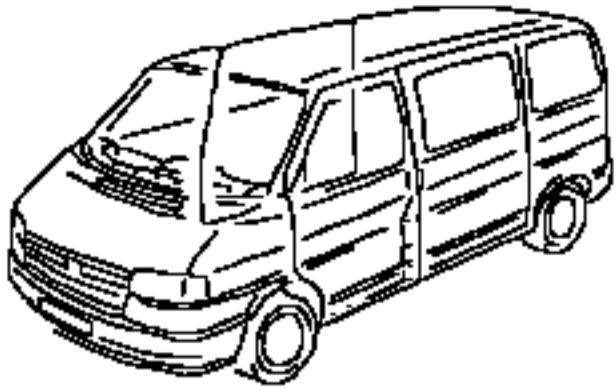
- 703803722
 spare wheel recess / lower for horizontal spare wheel / 15"
 F >> 70-2-060 000*

- 7D0803676
 spare wheel recess / lower for horizontal spare wheel / 16"
 F 70-2-060 001>>* spare wheel bracket / side

30 7D1810385B
 spare wheel bracket / left

31 251813691B
 wing screw spare wheel mounting

32 251813695A
 strip



sub-parts

- (1) 701809833A
sub-part - sliding door cut-out / left lower

- 1 701809834A
sub-part - sliding door cut-out / right lower

- (2) 701809835A
sub-part - sliding door cut-out / left upper

- 2 701809836A
sub-part - sliding door cut-out / right upper

- (3) 701809839B
sub-part - pillar a / left / PR-2E2 frame / 15" driver's door

- (3) 7D0809839
sub-part - pillar a / left / PR-2E3 frame / 16" driver's door

- 3 701809840B
sub-part - pillar a / right / PR-2E2 frame / 15" driver's door

- (3) 7D0809840
sub-part - pillar a / right / PR-2E3 frame / 16" driver's door

- 4 701809841A
sub-part: b-pillar / left frame driver's door

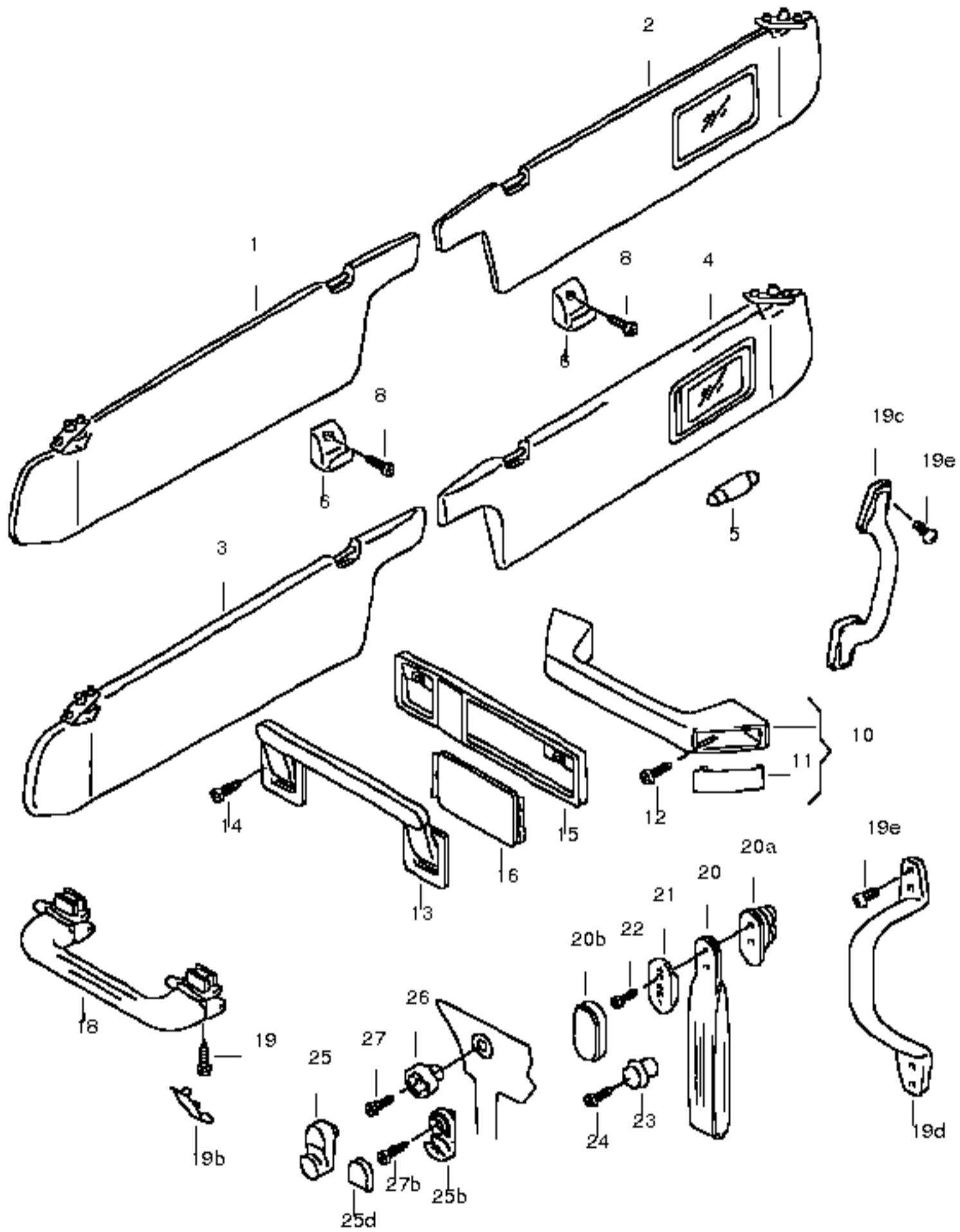
- (4) 701809842A
sub-part: b-pillar / right protective plate driver's door

- (5) 701809843B
sub-part - sliding door cut-out / left front

- 5 701809844B
sub-part - sliding door cut-out / right front / outer

- (6) 701809845A
sub-part - sliding door cut-out / left rear

- 6 701809846A
sub-part - sliding door cut-out / right rear



sun vizors
 grab handle
 roller blind for sliding window / ambulance
 see illustration: / 859-30

(3) 705857551AB
 sun visor with illuminated mirror and cover / left
 705857551AB3PH sahara / -BT,NB
 705857551AB3PS light beige / -KS,NA,VH,YR
 705857551ABX14 pearl grey / -AP,AQ,BU,BX,
 / KQ,KR,LS,MA,
 / RW,RX,RY,RZ,
 / VJ,XL,YQ,22
 / 41,43,44,51,
 / 79,80,UC,WL

(3) 705857551S
 sun visor with illuminated mirror and cover / left for vehicles with glass sliding and tilting sunroof
 705857551S 3PH sahara / -BT,NB
 705857551S 3PS light beige / -KS,NA,VH,YR
 705857551S X14 pearl grey / -AP,AQ,BU,BX,
 / KQ,KR,LS,MA,
 / RW,RX,RY,RZ,
 / VJ,XL,YQ,22
 / 41,43,44,51,
 / 79,80

(3) 705857551AC
 sun visor without mirror / left
 705857551AC3PH sahara / -BT,NB
 705857551AC3PS light beige / -KS,NA,VH,YR
 705857551ACX14 pearl grey / -AP,AQ,BU,BX,
 / KQ,KR,LS,MA,
 / RW,RX,RY,RZ,
 / VJ,22,41,43,
 / 44,51

(3) 705857551AD
 sun visor with mirror / left
 705857551AD3PH sahara / -BT,NB
 705857551AD3PS light beige / -KS,NA,VH,YR
 705857551ADX14 pearl grey / -AP,AQ,BU,BX,
 / KQ,KR,LS,MA,
 / RW,RX,RY,RZ,
 / VJ,22,41,43,
 / 44,51

(4) 705857552AB
 sun visor with illuminated mirror and cover / right
 705857552AB3PH sahara / -BT,NB
 705857552AB3PS light beige / -KS,NA,VH,YR
 705857552ABX14 pearl grey / -AP,AQ,BU,BX,
 / KQ,KR,LS,MA,
 / RW,RX,RY,RZ,
 / VJ,XL,YQ,22
 / 41,43,44,51,
 / 79,80

(4) 705857552S
 sun visor with illuminated mirror and cover / right for vehicles with glass sliding and tilting sunroof
 705857552S 3PH sahara / -BT,NB
 705857552S 3PS light beige / -KS,VH
 705857552S X14 pearl grey / -AP,AQ,BU,BX,
 / KQ,KR,LS,MA,
 / RW,RX,RY,RZ,
 / VJ,XL,YQ,22
 / 41,43,44,51,
 / 79,80

(4) 705857552AC
 sun visor without mirror / right
 705857552AC3PH sahara
 705857552AC3PS light beige / -KS,VH
 705857552ACX14 pearl grey

(4) 705857552AD
 sun visor with mirror / right
 705857552AD3PH sahara
 705857552AD3PS light beige / -KS,VH
 705857552ADX14 pearl grey

5 N 90469701

bulb / M12V3W

6 7D1857561C

bracket for sun visor

7D1857561C Y20 pearl grey

7D1857561C 5YX beige

7D1857561C 8YS light beige / -KS,VH

8 N 0139649

oval head panel screw / ST4,2X16-C

10 251857607

grab handle / fire brigade / ambulance

251857607 01C satin black

(10) 221883809C

grab handle / right rear / ambulance for models with wheelbase: / 3320MM

221883809C 043 grey black

11 251857617

cover cap / fire brigade / ambulance

251857617 01C satin black

12 N 0139694

oval head panel screw / B4,8X16 / fire brigade

(12) N 0139734

oval head panel screw / BZ5,5X13 / ambulance / lower

(12) N 0139741

oval head panel screw / B5,5X19 / ambulance / upper

13 255857607

grab handle, folding / fire brigade

255857607 01C satin black

14 N 0139729

oval head panel screw / ST4,8X25-C

15 253857613

frame / fire brigade grab handle

16 443857667

cover cap / fire brigade

443857667 01C satin black

18 7D0857607

grab handle, folding / matt

7D0857607 R48 light beige

7D0857607 2EN pearl grey

7D0857607 6PE sahara

(18) 1J0857607M

grab handle, folding

1J0857607M Y20 pearl grey

1J0857607M Q70 light beige

(18) 1J0857607R

grab handle, folding

1J0857607R Q70 light beige

1J0857607R Y20 pearl grey

19 N 90434501

panel screw / 5X17

no replacement part

19C 705857607A

grab handle a-pillar (passenger side) see illustration: / 867-60 (14)

705857607A 2PU pearl grey

705857607A 9XW sahara

705857607A Q75 light beige / -KS,VH

19D 703857607

grab handle b-pillar sliding door side see illustration: / 867-60 (23)

703857607 01C satin black

(19D) 705857607C

grab handle b-pillar sliding door side see illustration: / 867-60 (23)

705857607C 2PU pearl grey

705857607C 9XW sahara

705857607C Q75 light beige / -KS,VH

19E N 0141405

fillister hd. bolt / M6X15

20 861857611

hand strap

861857611 Y20 pearl grey

861857611 9UW sahara

861857611 Q70 light beige / -KS,VH

20A 705858739

retainer hand strap see illustration: / 867-60 (42)

705858739 Y20 pearl grey

705858739 9UW sahara

(20A) 705858739A

retainer / left lhd hand strap sliding door side see illustration: / 867-60 (42)

705858739A Y20 pearl grey

705858739A 9UW sahara

(20A) 7D0858739

retainer / left rhd hand strap sliding door side see illustration: / 867-60 (42)

7D0858739 Y20 pearl grey

(20A) 705858740

retainer / right hand strap sliding door side see illustration: / 867-60 (42)

705858740 Y20 pearl grey

705858740 9UW sahara

20B 705858753

cover cap hand strap see illustration: / 867-60 (44)

705858753 Y20 pearl grey

705858753 9UW sahara

705858753 Q70 light beige

21 861857637

coat hook

22 N 0141001

oval hd. csk. self-tapp. screw / ST4,8X25-C

23 255857629

coat hook

255857629 01C satin black

24 N 0139612

oval head panel screw / ST3,9X13-F

25B 701857629B

coat hook

701857629B 9UW sahara

701857629B Y20 pearl grey

701857629B Q70 light beige / -KS,VH

701857629B J51 lagoon

701857629B U71 flannel grey

25D 701858633

cover cap

701858633 01C satin black

701858633 9UW sahara

701858633 Y20 pearl grey

701858633 Q70 light beige / -KS,VH

701858633 J51 lagoon

701858633 U71 flannel grey

26 701857639

mounting coat hook

701857639 Y20 pearl grey

701857639 9UW sahara

- 705857639

expanding nut see illustration: / 867-60

27 N 0139649

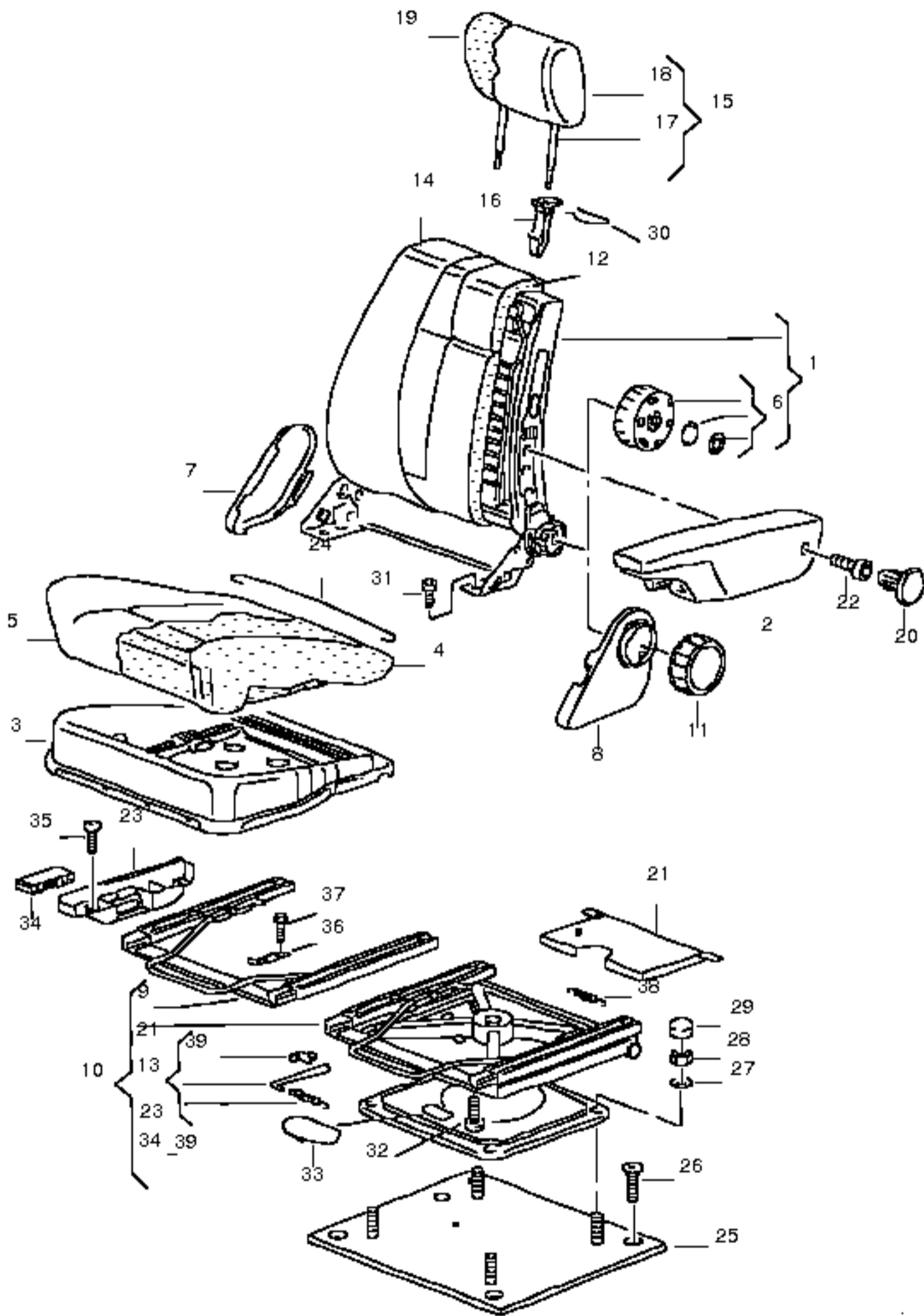
oval head panel screw / ST4,2X16-C

(27B) N 0139649

oval head panel screw / ST4,2X16-C

27B N 90157601

oval head panel screw / B4,2X45



swivel seats in pass. compart. / 1. seat bench

1 701881045AD

frame - backrest with lumbar support / left/right
(prepared for armrest)

2 7D0881081

armrest (leather/leatherette) / left
7D0881081 CLQ sahara / -VK
7D0881081 EQU lagoon / -VJ
7D0881081 ETU light beige / -VH

(2) 7D0881081AC

armrest (leather/leatherette) / left / PR-N7F/N2Z
7D0881081ACKWB light beige / -YR
7D0881081ACLQZ lagoon / -YQ

(2) 7D0881082

armrest (leather/leatherette) / right
7D0881082 CLQ sahara / -VK
7D0881082 EQU lagoon / -VJ
7D0881082 ETU light beige / -VH

(2) 7D0881082N

armrest (leather/leatherette) / right / PR-N7F/N2Z
7D0881082N KWB light beige / -YR
7D0881082N LQZ lagoon / -YQ

no longer available

3 701881257

seat well

4 701881375C

padding for seat

5 7D0881405C

seat cover (leather/leatherette) heater element-seat
7D0881405C CLQ sahara / -VK
7D0881405C EQU lagoon / -VJ
7D0881405C ETU light beige / -VH

(5) 7D0881405J

seat cover (leather/leatherette) / PR-N7F heater element-seat
7D0881405J KWB light beige / -YR
7D0881405J LQZ lagoon / -YQ

6 1H0881601

brake element

7 701881480B

trim without hole / right
701881480B 01C black

8 701881477C

trim with hole / left
701881477C 01C satin black

9 701881201A

channel / left/right

10 7D0883669C

seat frame / left
7D0883669C 01A black
7D0883669C P38 sahara
7D0883669C R34 light beige

(10) 7D0883669D

seat frame / right
7D0883669D 01A black
7D0883669D P38 sahara
7D0883669D R34 light beige

11 357881671

adjustment knob
357881671 4FB black

12 701881775B

padding for backrest

13 701898900

repair kit grip for rotary lever

14 7D0881805BD

backrest cover (leather/leatherette) backrest heater element
7D0881805BDCLQ sahara / -VK
7D0881805BDEQU lagoon / -VJ
7D0881805BDETU light beige / -VH

(14) 7D0881805AP

backrest cover (leather/leatherette) / PR-N7F backrest heater element
7D0881805APKWB light beige / -YR
7D0881805APLQZ lagoon / -YQ

(16) 3A0881920

guide with push button for adjustable head restraint

3A0881920 B41

satin black

16 1H0881939

guide
1H0881939 B41 satin black

17 3A0881905

head restraint, adjustable guide rod lengthen: / 165MM
see illustration: / 881-50

19 357881931D

padding for head restraint

20 701881979A

plug
701881979A 9UW sahara
701881979A Q70 light beige

20 7D0881979

plug
7D0881979 J51 lagoon

21 701881320

trim panel for seat frame / rear
701881320 Q70 light beige
701881320 01C satin black

22 N 0147074

allen key head bolt / M8X15

(23) 701881317

trim panel for seat frame / left
701881317 Q70 light beige
701881317 01C satin black

23 701881318

trim panel for seat frame / right
701881318 Q70 light beige
701881318 01C satin black

24 N 90162606

upholstery wire / 2,8X368

(24) 535885483B

upholstery wire / 2,8X520

(24) 443885717

upholstery wire / 2X480

25 7D1883877

securing plate

26 N 10443101

countersunk bolt / M10X40

27 N 01152711

washer / A10,5X21X2

28 N 10155207

hexagonal nut / M10-SW16

29 281857797

cover cap
281857797 01C satin black

30 443881743

clip for guide

31 N 0147804

cheese head bolt / M6X15

32 N 90582902

bolt, with multi-spilne socket head / EM6X27

33 7D0882767

cover cap
7D0882767 01C satin black / -VJ,YQ
7D0882767 Q70 light beige / -VH,YR

34 701881253

grip for rotary lever
701881253 01C satin black

35 N 90277602

panel screw / ST4,2X17
N 9027760202S off-black

36 701881277A

limit stop

37 N 0147796

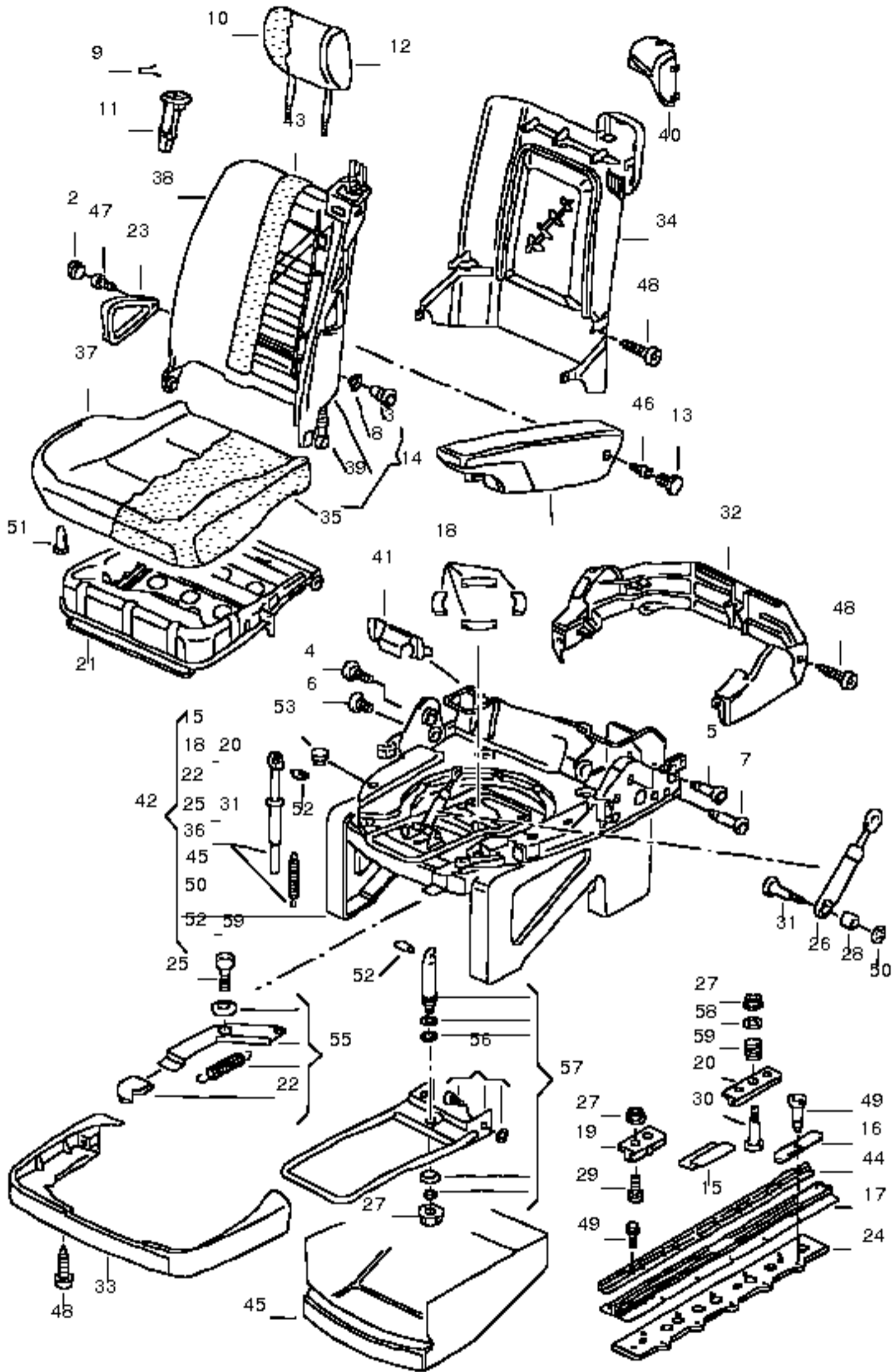
cheese head bolt / M8X20

38 701881187

tension spring

39 703883069

clip



swivel seats in pass. compart. / 1. seat bench / MULTIVAN II

- 7D0883017T

seat, complete with backrest / left/right / NOU,4C0/4C2 but without: head restraint
7D0883017T HYE flannel grey / -KQ

- 7D0883017AA

seat, complete with backrest / left/right / NOP,4C0/4C2 but without: head restraint
7D0883017AAHQA flannel grey / -AQ

- 7D0883017AB

seat, complete with backrest / left/right / N2N,4C0/4C2 but without: head restraint
7D0883017ABHQL flannel grey/green / -RY
7D0883017ABHQQ flannel grey/red / -RX
7D0883017ABHQU flannel grey/blue / -RZ
7D0883017ABHQY flannel grey/dark grey / -RW

1 7D0881081B

armrest (cloth/leatherette) / left / PR-N0P

7D0881081B HQB
flannel grey / -AQ

(1) 7D0881081C

armrest (cloth) / left / PR-N2N
7D0881081C 3EU flannel grey / -RW,RX,RY,RZ,
7D0881081C 3EU flannel grey / -22,51 / PR-N2Z

(1) 7D0881081T

armrest (cloth) / left / PR-N0U
7D0881081T 2EY flannel grey / -KQ

(1) 7D0881082A

armrest (cloth/leatherette) / right / PR-N0P
7D0881082A HQB flannel grey / -AQ

(1) 7D0881082B

armrest (cloth) / right / PR-N2N
7D0881082B 3EU flannel grey / -RW,RX,RY,RZ,
7D0881082B 3EU flannel grey / -22,51 / PR-N2Z

(1) 7D0881082K

armrest (cloth) / right / PR-N0U
7D0881082K 2EY flannel grey / -KQ

(1) 7D0881081AF

armrest (cloth) / left / PR-N2Z
7D0881081AFPAD flannel grey / -41
7D0881081AFPAJ flannel grey/blue / -44
7D0881081AFPAP flannel grey/red / -43

(1) 7D0881081AC

armrest (leather/leatherette) / left / PR-N7F/N2Z
7D0881081ACLBN flannel grey (grained) / -79,80,89,90

(1) 7D0881082R

armrest (cloth) / right / PR-N2Z
7D0881082R PAD flannel grey / -41
7D0881082R PAJ flannel grey/blue / -44
7D0881082R PAP flannel grey/red / -43

(1) 7D0881082N

armrest (leather/leatherette) / right / PR-N7F/N2Z
7D0881082N LBN flannel grey (grained) / -79,80,89,90

2 7D0881171

cover cap for models with swivel seat
7D0881171 U71 flannel grey

3 7D0881283

shouldered bolt / M12X22,9

4 7D0881283B

shouldered bolt

5 7D0881283C

shouldered bolt

6 7D0881283D

shouldered bolt / M8X13,05

7 7D0881283E

shouldered bolt

8 7D0881529

bearing bush

9 443881743

clip for guide

10 3A0881905

head restraint, adjustable
guide rod lengthen: / 165MM

(11) 3A0881920

guide with push button for adjustable head restraint
3A0881920 B41 satin black

11 1H0881939

guide
1H0881939 B41 satin black
see illustration: / 881-50

13 7D0881979

plug
7D0881979 U71 flannel grey

14 7D0883045J

backrest frame
7D0883045J 01A black

15 7D0883145

support plate

16 7D0883161

limit stop

17 7D0883183C

channel

18 7D0883225B

friction bearing turntable

19 7D0883225C

friction bearing / front

20 7D0883225E

friction bearing / rear

21 7D0883247C

seat well
7D0883247C 01A black

22 7D0883253A

grip for rotary lever
7D0883253A U71 flannel grey

23 7D0883253D

handle for backrest adjustment
7D0883253D U71 flannel grey

24 7D0883281E

retaining plate / outer seat / left

(24) 7D0883281G

retaining plate / inner seat / left

(24) 7D0883282B

retaining plate / outer seat / right

(24) 7D0883282D

retaining plate / inner seat / right

25 N 90448801

allen key head bolt / M8X12

26 7D0883169

gas-filled strut seat well

27 N 90289102

hexagon nut, self-locking / M8

28 7D0883291

distance piece

29 7D0883299A

pin / M 8

30 7D0883299C

pin

31 7D0883299D

pin

32 7D0883317A

lining / rear
7D0883317A U71 flannel grey

33 7D0883318A

lining / front
7D0883318A U71 flannel grey

34 7D0883319A

cover for seat backrest
7D0883319A U71 flannel grey

35 7D0883375A

padding for seat

36 7D0883385A

1 set: release parts

37 7D0883405L

seat cover (cloth) / PR-N0U
7D0883405L HYE flannel grey / -KQ

(37) 7D0883405M

seat cover (cloth) / PR-N0P
7D0883405M HQA flannel grey / -AQ

(37) 7D0883405N

seat cover (cloth) / PR-N2N
7D0883405N HUD flannel grey/dark grey / -RW
7D0883405N HUE flannel grey/red / -RX
7D0883405N HUF flannel grey/green / -RY
7D0883405N HUG flannel grey/blue / -RZ

(37) 7D0883405R

seat cover (cloth) / PR-E19
7D0883405R HRC flannel grey/blue / -22 / ATLANTIS

(37) 7D0883405T

seat cover (cloth) / PR-N2Z
7D0883405T MBP turquoise/flannel grey / -51

(37) 7D0883405AA

seat cover (cloth) / PR-N2Z
7D0883405AAPAC flannel grey / -41
7D0883405AAPAH flannel grey/blue / -44
7D0883405AAPAN flannel grey/red / -43

(37) 7D0883405AB

seat cover (leather/leatherette) / PR-N7F
7D0883405ABNWL flannel grey / -79
7D0883405ABNWL flannel grey / -89

(37) 7D0883405AC

seat cover (leather/leatherette) / PR-N2Z
7D0883405ACNWM flannel grey / -80

(37) 7D0883405AD

seat cover (leather/leatherette) / PR-N2Z
7D0883405ADJTD flannel grey / -90

38 7D0883455AR

backrest cover (cloth) / PR-N0U
7D0883455ARHYE flannel grey / -KQ

(38) 7D0883455AS

backrest cover (cloth) / PR-N0P
7D0883455ASHQA flannel grey / -AQ

(38) 7D0883455AT

backrest cover (cloth) / PR-N2N
7D0883455ATHQL flannel grey/green / -RY
7D0883455ATHQQ flannel grey/red / -RX
7D0883455ATHQU flannel grey/blue / -RZ
7D0883455ATHQY flannel grey/dark grey / -RW

(38) 7D0883455BD

backrest cover (cloth) / PR-E19
7D0883455BDHRD flannel grey/blue / -22 / ATLANTIS

(38) 7D0883455BE

backrest cover (cloth) / PR-N2Z
7D0883455BEMBN turquoise/flannel grey / -51

(38) 7D0883455BF

backrest cover (cloth) / PR-N2Z
7D0883455BFPAC flannel grey / -41
7D0883455BFPAP flannel grey/blue / -44
7D0883455BFPAN flannel grey/red / -43

(38) 7D0883455BG

backrest cover (leather/leatherette) / PR-N7F
7D0883455BGQEH flannel grey / -79
7D0883455BGRPV flannel grey / -89

(38) 7D0883455BH

backrest cover (leather/leatherette) / PR-N2Z
7D0883455BHQEG flannel grey / -80

(38) 7D0883455BJ

backrest cover (leather/leatherette) / PR-N2Z
7D0883455BJRPW flannel grey / -90

39 7D0883489

fitting

40 7D0883623A

cover cap
7D0883623A U71 flannel grey

41 7D0883623C

cover cap / PR-N0A/N0P
7D0883623C 01C satin black

42 7D0883669J

seat frame
7D0883669J 2DP flannel grey

43 7D0883775J

padding for backrest

44 7D0883877B

retaining plate

45 7D0883951A

shelf/stowage compartment

46 N 0147091

allen key head bolt / M8X22

47 N 0199091

cheese head bolt / M5X35
F >>> 70-1-136 160
F >>> 70-1X128 200

(47) N 10544301

cheese head bolt / M5X25
F 70-1-136 161>>>
F 70-1X128 201>>>

48 N 10415001

oval head panel screw / ST4,8X13-C

49 N 90939801

shouldered bolt / M8X15,5

50 N 90060201

clamping washer / C-6X13,5

51 703883343

clip
703883343 01C black

52 WHT000208

grip pin / 5,5X21MM

53 701813654

stop buffer

55 7D0898900

repair kit handle for swivelling seat

56 7D0898901

repair kit lever f. seat fore+aftr adjust.

57 7D0898902

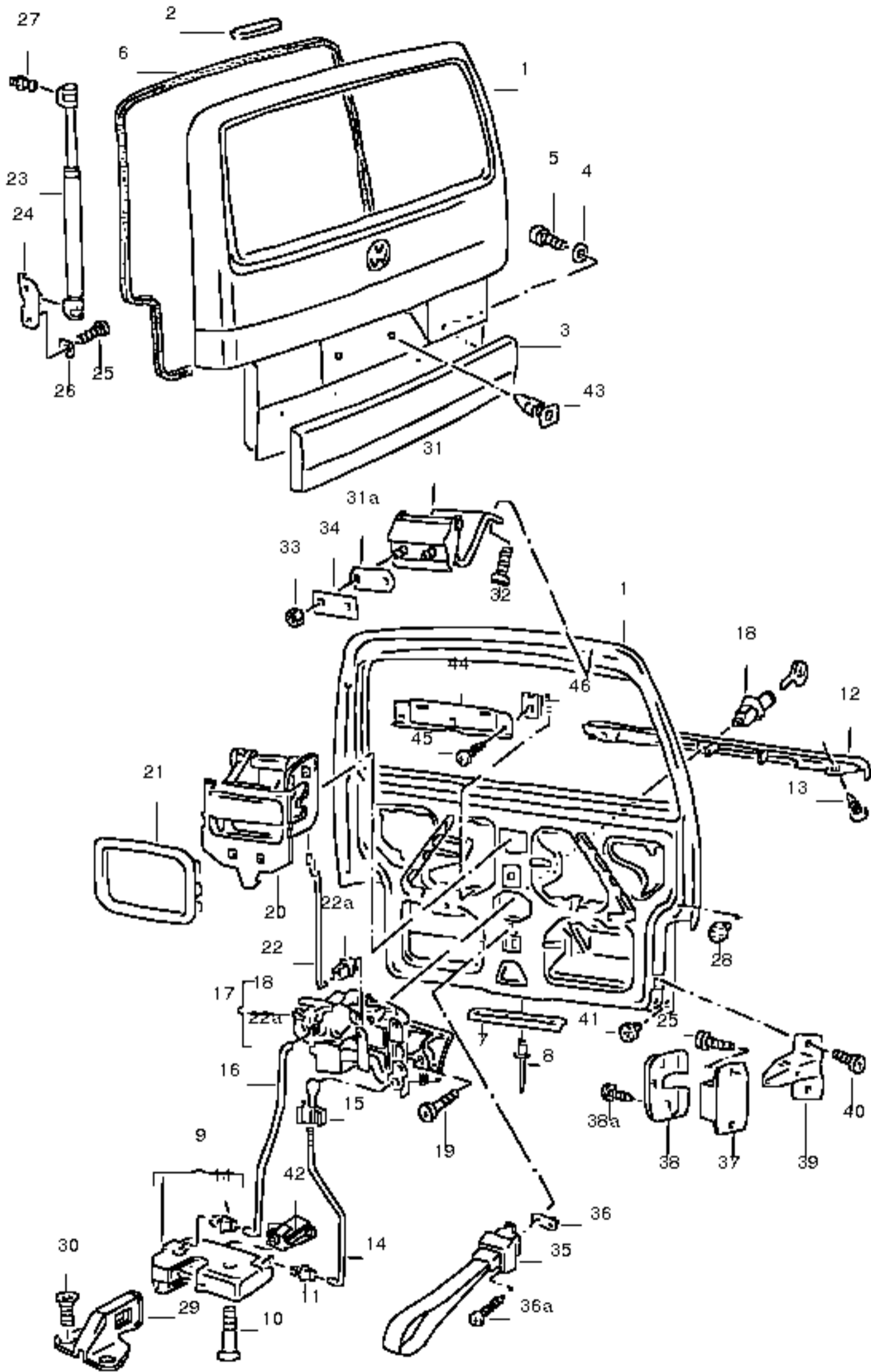
repair kit pin - engagement lever

58 N 90074102

washer / 8,4X25X4

59 7D0883258

pressure spring



tailgate/boot lid panel

1 701829105AN

rear panel flap with window aperture

(1) 701829105AM

rear panel flap without window aperture

2 251853707D

protective edging / 3348MM

shorten to: / 133MM

251853707D 1BG graphite

no replacement part

6 721827705B

gasket

adapt with workshop equipment

(7) 701829199B

stop channel gasket

8 N 90478601

pop-rivet / A4,8X11

9 701829211J

flap - lock / inner

10 N 0330342

countersunk bolt / M8X45

11 191837199

clip

12 701829213D

grip molding

701829213D 01C satin black

(12) 705829213A

grip molding

primed

if necessary paint

13 N 0139351

oval head panel screw / B6,3X25

14 701829217A

pull rod / 285MM

15 357827637A

clip

16 705829218A

pull rod / BUS, / camp- mobile

17 703829239E

flap - lock / satin black

(17) 701829239F

flap - lock / satin black

(safety lock)

(17) 701829239G

flap - lock / "D.":

/ BUNDESWEHR

701829239G 01C satin black

- 701829491

knob / red

18 701827573

lock cylinder (safety lock)

(18) 701837061D

lock cylinder for door handle without tumblers and key / rear

system 'b' profile ah for lock combination numbers: 1001-2000,3001-4000,6001-7086, 8201-9282

19 N 0441511

fillister hd. bolt / BM8X40X34

20 705829309A

door inner operating lever

705829309A 01C satin black

21 705829313

trim

705829313 01C satin black

22 705829323C

pull rod for interior release mechanism

22A 171837199

clip

(23) 7D0829331D

gas-filled strut / 710N marking ring / 1

(23) 7D0829331E

gas-filled strut / 770N for vehicles with wipe-wash system for rear window

marked with: / 2 paint marks

(23) 7D0829331F

gas-filled strut / 830N for vehicles with moulded lining

marked with: / 3 paint marks

(23) 7D0829331G

gas-filled strut / 910N for vehicles with moulded lining

rear window glass(insul.glass)

marked with: / 4 paint marks

(23) 701829331T

gas-filled strut / HYDRO-LIFT / 460N

- 443823397

clips gas-filled strut

24 701829451

ball pin

25 N 0141405

fillister hd. bolt / M6X15

26 N 01152423

washer / A6,4X12,5X1,6

27 701827439B

ball pin

(28) 357827500

stop buffer protective foil

make up from: / AKL 448 300 04

- AKL44830004

protective foil / 290X210MM

29 701827537E

striker plate cover for lock carrier

see illustration: / 863-05

30 N 10084701

countersunk bolt / M8X18

- 701827263A

reinforcement for apron / center

see illustration: / 801-10

31 701829641E

hinge

31A 701829389C

reinforcement plate / 55X28X4MM

32 N 0441682

fillister hd. bolt / M8X22

33 N 0110088

hexagonal nut / M8

- gasket

make up from: / 701 827 157 D

- 701827157D

gasket

(35) 7D0829621

loop

7D0829621 9B9 satin black

(35) 7D0829621A

loop / BUS

7D0829621A 01C satin black

for vehicles with moulded lining

(36) N 90479201

riveted cap nut / M5/0,5-3-B

(36A) N 0141335

fillister hd. bolt / M5X12

(36A) N 0141565

fillister hd. bolt / M5X30

(37) 701829721C

guide tailgate / boot lid

(38) 701829725A

cover cap / left

701829725A 01C satin black

38 701829726A

cover cap / right

701829726A 01C satin black

(38) 705829725A

cover cap / left / bus / camp- mobile

705829725A 01C satin black

(38) 705829726A

cover cap / right / bus / camp- mobile

705829726A 01C satin black

38A N 01396626

oval head panel screw / 4,2X13STC

39 701829733

guide piece / left

(39) 701829734

guide piece / right

40 N 0141405

fillister hd. bolt / M6X15

41 N 0200223

plug / A8X1

42 535959665

switch / front

43 357868143

insert nut / 8MM

44 701829242

reinforcement plate wiper motor

45 N 0139771

oval head panel screw / B6,3X16

46 N 0154491

snap nut / ST6,3X24,5X15

- 323863950

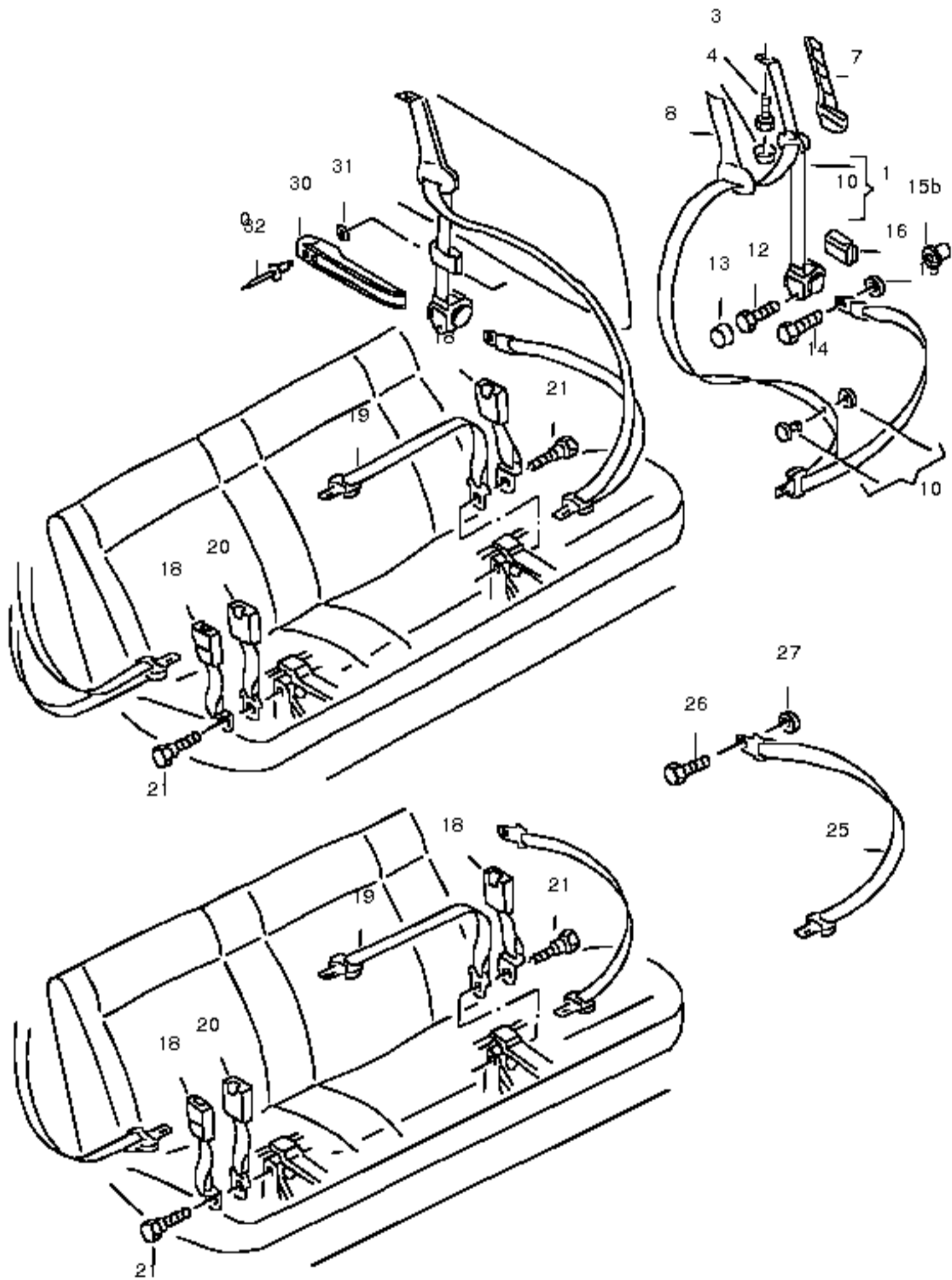
sound absorber (self-adhesive) 'order unit 6' / 550X250X2

- G 052778A2

lock cylinder lubricant spray / 50ML

- 701947149A

beading / 100MM



three-point seat belt
for passenger compartement / 2. seat bench
lap belt
for passenger compartement
bench seat
3 seater

1 703857815
three-point seat belt for models with wheelbase: / 2920MM
703857815 01C satin black
703857815 P81 beaver
for models with leather trim
703857815 Q44 ecrue (beige)
703857815 E66 flannel grey

(1) 705857815
three-point seat belt
for vehicles with 2nd evaporator and/or for vehicles with additional heat exch.
for models with wheelbase: / 2920MM
705857815 01C satin black
705857815 P81 beaver
for models with leather trim
705857815 E66 flannel grey
705857815 Q44 ecrue (beige)

(1) 723857815
three-point seat belt for models with wheelbase: / 3320MM
723857815 01C satin black
723857815 E66 flannel grey

3 3B0857799
hexagonal head bolt / 7/16"-20UNFX20

(4) 281857797
cover cap
281857797 01C satin black

7 703857717
covering / left outer
703857717 01C satin black

(7) 703857718
covering / right outer
703857718 01C satin black

8 703857719
covering / left inner
703857719 01C satin black

(8) 703857720
covering / right inner
703857720 01C satin black

10 443857847B
knob
443857847B 4PK soul (black)

12 3B0857799
hexagonal head bolt / 7/16"-20UNFX20

(13) 281857797
cover cap
281857797 01C satin black

14 111857799
hexagonal head bolt / 7/16"X25

(14) N 98911201
hexagonal head bolt / 7/16"-20UNFX65

15 803019825B
spacer sleeve / 5MM

15B 705857845
spacer sleeve / 26MM
for models with wheelbase: / 3320

16 703857747
belt guide
adapt with workshop equipment
703857747 01C satin black

(16) 705857748
trim for vehicles with 2nd evaporator
adapt with workshop equipment
705857748 01C satin black

- 703857823A
lap belt with press button buckle / MULTIVAN
703857823A 01C satin black
703857823A E66 flannel grey

- 703857824
double press button buckle / MULTIVAN
703857824 01C satin black

18 703857823
press button buckle with belt
703857823 01C satin black

19 703857713
lap belt / center
703857713 01C satin black
703857713 E66 flannel grey
703857713 Q44 ecrue (beige)
703857713 P81 beaver

(19) 703857813F
lap belt with inertia reel / center
703857813F 01C satin black
703857813F E66 flannel grey

20 703857749
press button buckle with belt
703857749 01C satin black

21 703857799
hexagonal head bolt / 7/16"X23

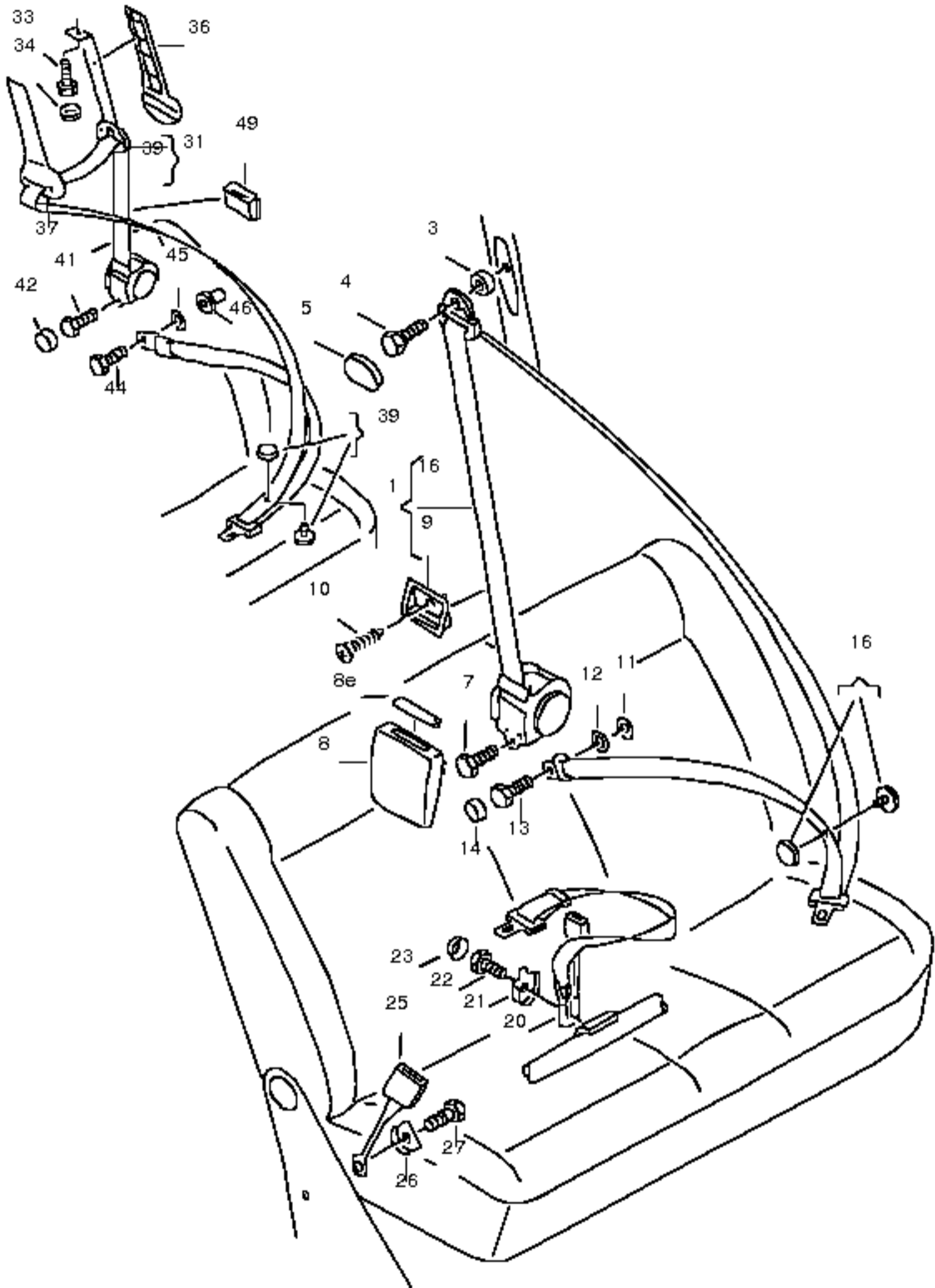
26 111857799
hexagonal head bolt / 7/16"X25

27 803019825B
spacer sleeve

30 171857837
bracket for seat belt

31 N 0115227
washer / A4,3X9X0,8

32 N 90576301
pop-rivet / A4X9X8X1,2



three-point seat belt
lap belt
for passenger compartment
2 seater
1. seat bench

- 703857837B
belt guide

1 705857811D
three-point seat belt / left
705857811D 01C satin black

(1) 705857811A
three-point seat belt / left
sliding door side
705857811A 01C satin black

(1) 7D0857811B
three-point seat belt / left
7D0857811B E66 flannel grey

(1) 705857812
three-point seat belt / right
sliding door side
705857812 01C satin black

(1) 705857812D
three-point seat belt / right
705857812D 01C satin black
705857812D E66 flannel grey

3 271857767
spacer sleeve / 11,5MM

(3) 331857767
spacer washer / 14MM

(3) 705857790
spacer bush / 22MM

4 803019811B
hexagonal head bolt / 7/16"X36,5

(4) 705857757
hexagonal head bolt / 7/16"X46,5

5 357857719
cover cap
357857719 01C satin black

7 3B0857799
hexagonal head bolt / 7/16"-20UNFX20

8 703857827
cover for pillar c / left belt guide
703857827 01C satin black

(8) 703857828
cover for pillar c / right belt guide
703857828 01C satin black

8E 705858829
cap belt guide
for vehicles with lap belt
705858829 01C satin black

9 705857827
belt guide
705857827 01C satin black

(9) 705857828
belt guide sliding door side
705857828 01C satin black

10 N 0139649
oval head panel screw / ST4,2X16-C

11 803019825B
spacer sleeve

12 705857845C
spacer sleeve

13 111857793E
hexagonal head bolt

(14) 281857797
cover cap
281857797 01C satin black

16 443857847B
knob
443857847B 4PK soul (black)

20 703857821
lap belt with press button buckle (sliding door, right)
703857821 E66 flannel grey
703857821 01C satin black

(20) 703857813J
lap belt with inertia reel and press button buckle (sliding door, right)
703857813J 01C satin black
703857813J E66 flannel grey

(20) 703857822A
lap belt with press button buckle (sliding door, left)
703857822A 01C satin black

21 165857900
cover cap

22 803019837
hexagonal head bolt / 7/16"X35

23 811857845
cover cap
811857845 01C satin black

(23) 281857797
cover cap
281857797 01C satin black

25 703857743
flexible lock
703857743 01C satin black

26 165857900
cover cap

27 111857799
hexagonal head bolt / 7/16"X25

2. seat bench

31 703857815
three-point seat belt for models with wheelbase: / 2920MM
703857815 01C satin black
703857815 P81 beaver
for models with leather trim

(31) 705857815
three-point seat belt for vehicles with 2nd evaporator
for models with wheelbase: / 2920MM
705857815 01C satin black
705857815 P81 beaver
for models with leather trim

(31) 723857815
three-point seat belt for models with wheelbase: / 3320MM
723857815 01C satin black

33 3B0857799
hexagonal head bolt / 7/16"-20UNFX20

(34) 281857797
cover cap
281857797 01C satin black

36 703857717
covering / left outer
703857717 01C satin black

(36) 703857718
covering / right outer
703857718 01C satin black

37 703857719
covering / left inner
703857719 01C satin black

(37) 703857720
covering / right inner
703857720 01C satin black

39 443857847B
knob
443857847B 4PK soul (black)

41 3B0857799
hexagonal head bolt / 7/16"-20UNFX20

(42) 281857797
cover cap
281857797 01C satin black

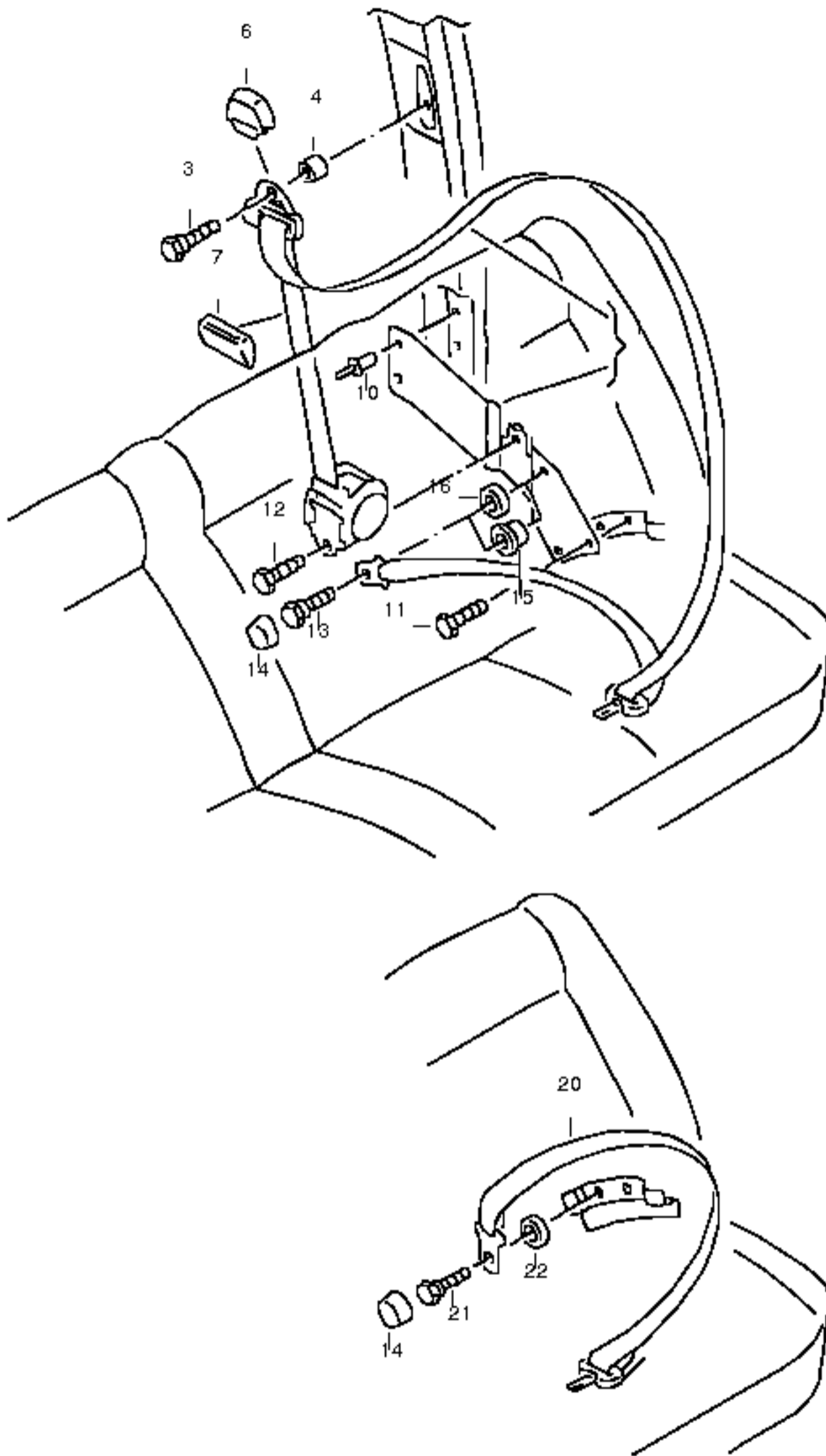
44 111857799
hexagonal head bolt / 7/16"X25

45 803019825B
spacer sleeve / 5MM

46 705857845
spacer sleeve / 26MM
for models with wheelbase: / 3320

49 703857747
belt guide / left
adapt with workshop equipment
only for: / 703 857 815
703857747 01C satin black

(49) 705857748
trim belt guide
adapt with workshop equipment
for vehicles with 2nd evaporator
only for: / 705 857 815
705857748 01C satin black



three-point seat belt
lap belt
for passenger compartement / 3. seat bench
for models with wheelbase: / 3320MM
for passenger compartement / 2. seat bench / fire brigade
for models with wheelbase: / 3320MM
lap belt and press button buckle
see illustration: / 857-80,857-85

- 723858693
retainer / left

- 723858694
retainer / right

1 723857815A
three-point seat belt / left
723857815A 01C satin black
723857815A E66 flannel grey

(1) 723857816A
three-point seat belt / right
723857816A 01C satin black
723857816A E66 flannel grey

3 705857757
hexagonal head bolt / 7/16"X46,5

(3) 111857793C
hexagonal head bolt / 7/16"X30 / fire brigade

4 705857790
spacer bush / 22MM

6 357857719
cover cap
357857719 01C satin black

7 703857747
belt guide
adapt with workshop equipment
703857747 01C satin black

- 723858871
retaining plate for three point seat belt

- 211831701B
oval head countersunk bolt / M8X22

11 3B0857799
hexagonal head bolt / 7/16"-20UNFX20

12 3B0857799
hexagonal head bolt / 7/16"-20UNFX20

13 N 98910301
fitted bolt / 7/16"-20UNFX / 34,5

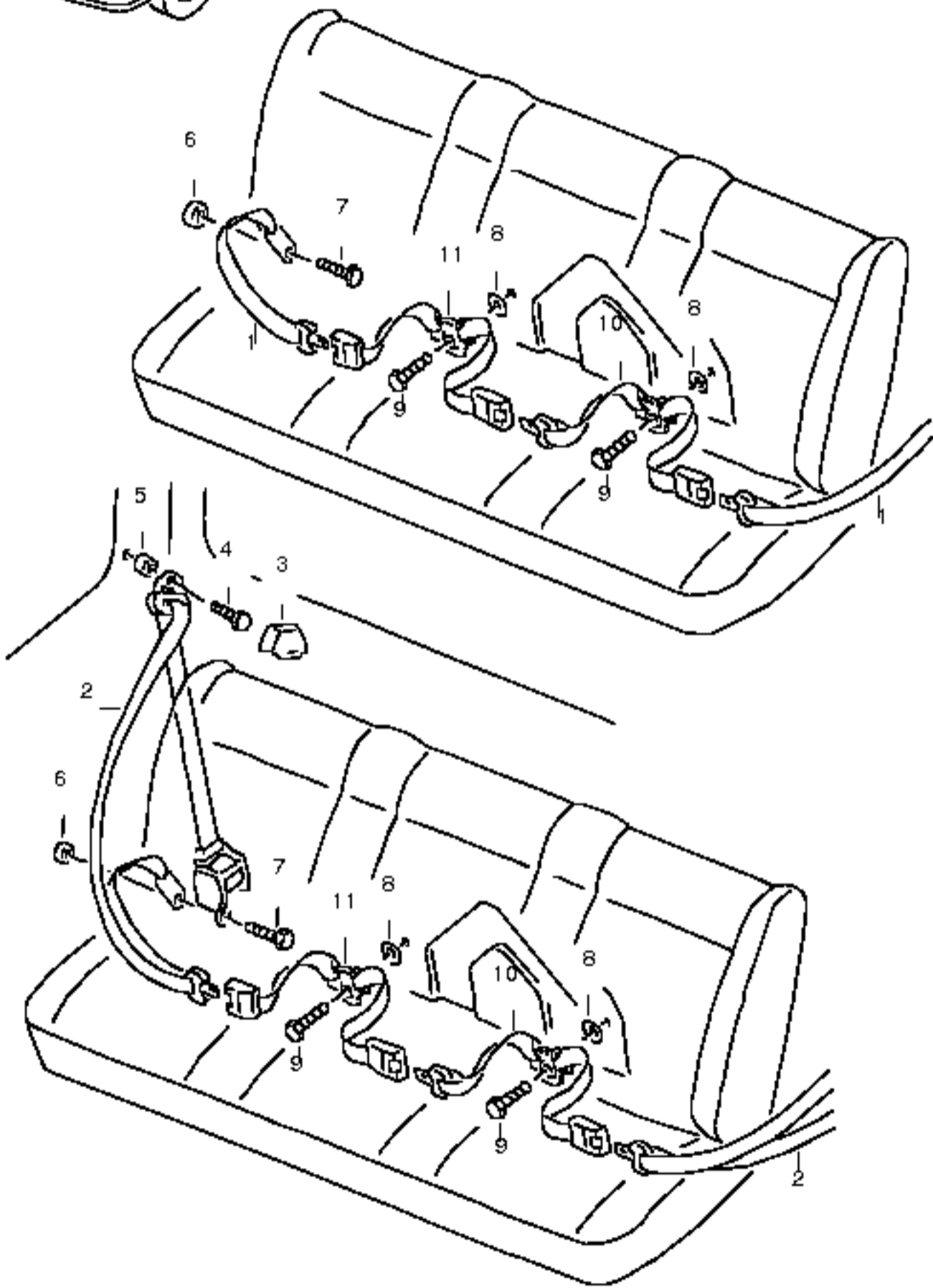
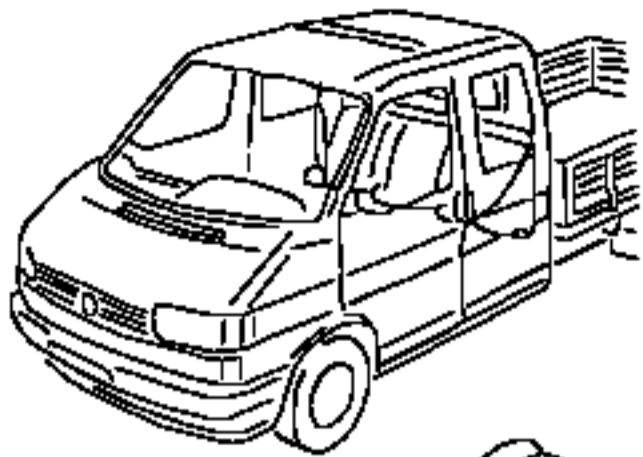
(14) 281857797
cover cap
281857797 Q70 light beige
281857797 01C satin black

15 705857845
spacer sleeve / 26MM / CARAVELLE
shorten to: / 12MM

16 271857767
spacer sleeve / 11,5MM

21 803019837
hexagonal head bolt / 7/16"X35

22 331857767
spacer washer



three-point seat belt / double cab
lap belt
for passenger compartement

- 729858783
reinforcement for seat belt mounting / center

1 729857713
lap belt / outer
729857713 01C satin black

2 729857815
three-point seat belt
729857815 01C satin black

3 357857719
cover cap
357857719 01C satin black

4 111857793E
hexagonal head bolt

5 803019825B
spacer sleeve

6 810019829
spacer washer / 11,2X17X8,5

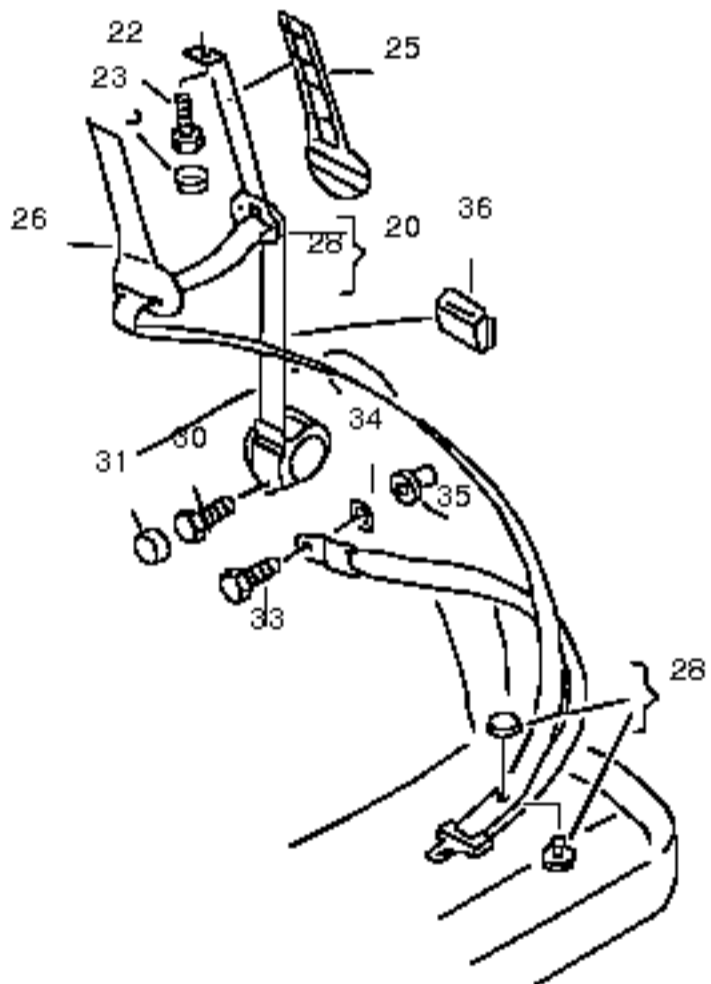
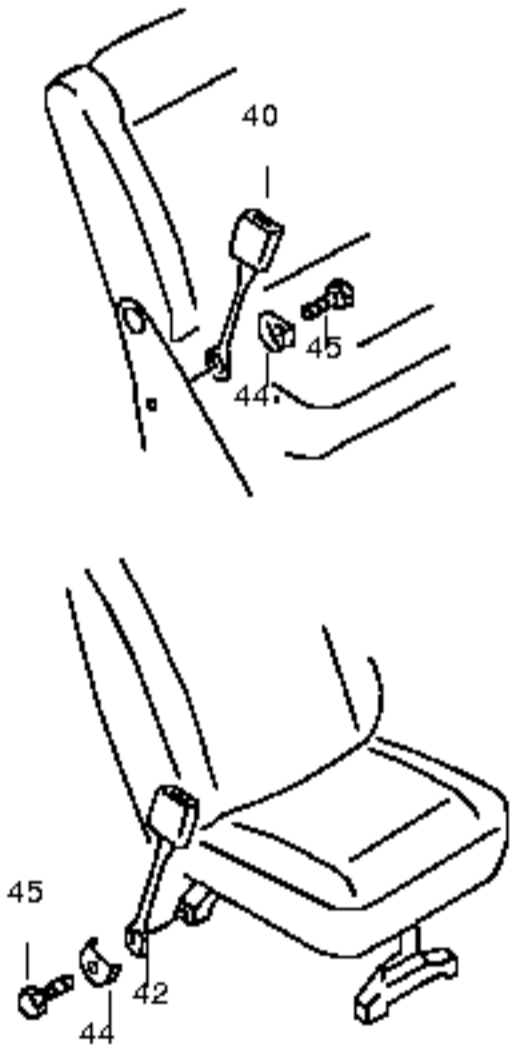
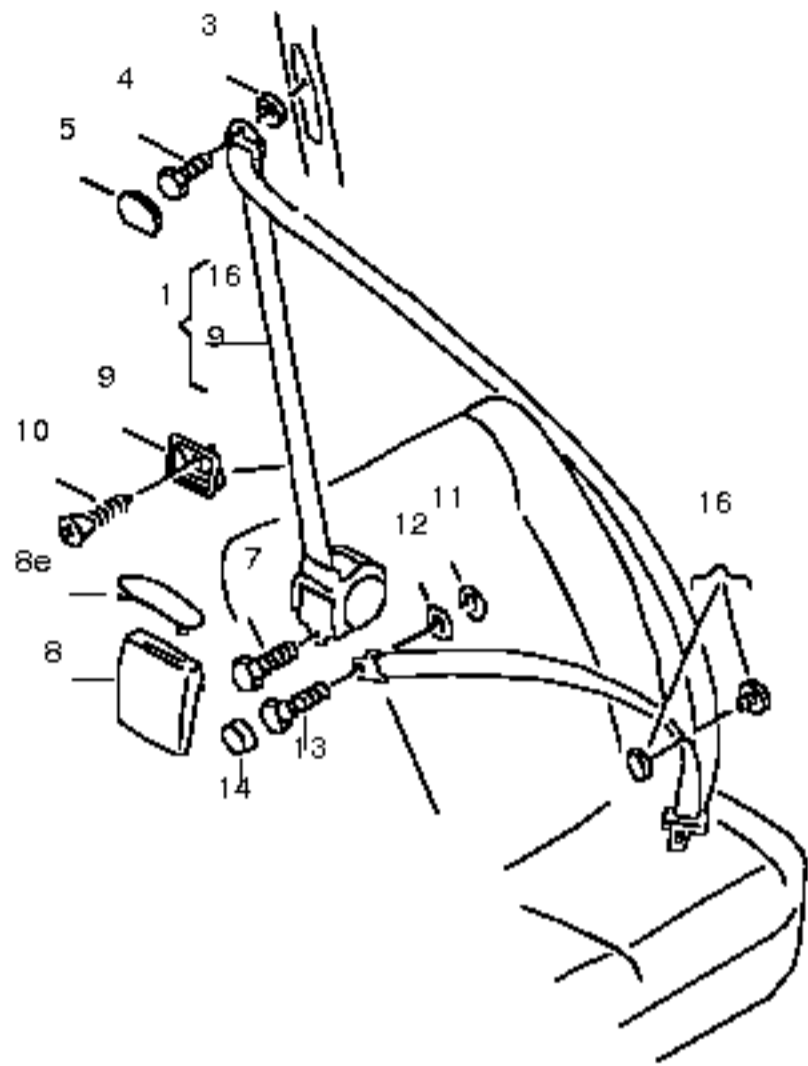
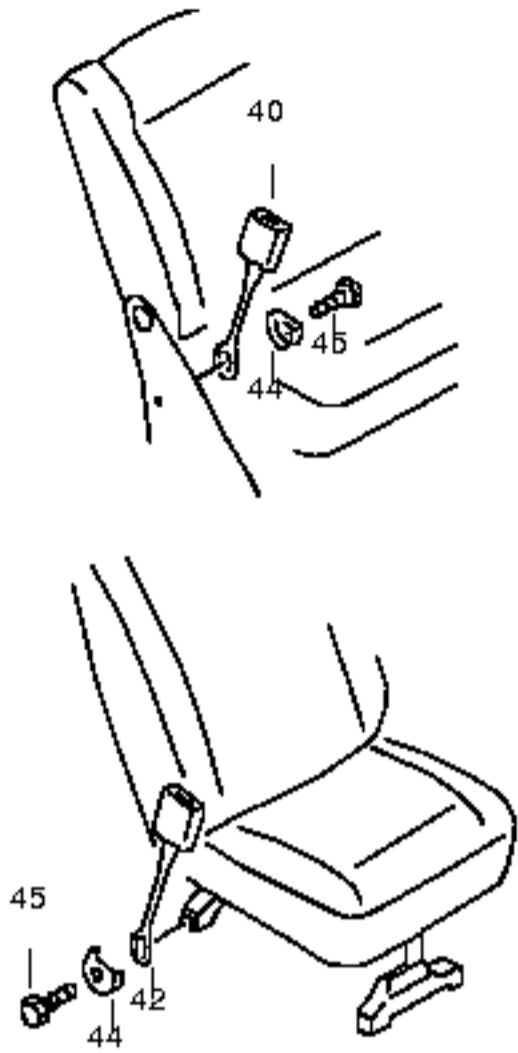
7 803019837
hexagonal head bolt / 7/16"X35

8 111857779
gasket / 28X10,4X1,5

9 111857799
hexagonal head bolt / 7/16"X25

10 729857823
lap belt with press button buckle
729857823 01C satin black

11 729857824
double press button buckle
729857824 01C satin black



three-point seat belt
for passenger compartement
for vehicle with individual seats

- 703857837B
belt guide

1 705857811D
three-point seat belt / left
with/without / 1. seat bench
(sliding door, right)
705857811D 01C satin black
705857811D E66 flannel grey
705857811D Q44 ecru (beige)

(1) 7D0857811A
three-point seat belt / left
with/without / 1. seat bench
(sliding door, right)
for models with leather trim
7D0857811A P81 beaver
7D0857811A Q44 ecru (beige)
7D0857811A E66 flannel grey

(1) 705857811A
three-point seat belt / left
with/without / 1. seat bench
(sliding door, left)
705857811A 01C satin black

(1) 705857812
three-point seat belt / right
with/without / 1. seat bench
(sliding door, right)
705857812 01C satin black
705857812 01C satin black
for models with leather trim

(1) 7D0857812A
three-point seat belt / right
with/without / 1. seat bench
(sliding door, right)
7D0857812A P81 beaver
for models with leather trim
7D0857812A E66 flannel grey
7D0857812A Q44 ecru (beige)

(1) 705857812D
three-point seat belt / right
with/without / 1. seat bench
(sliding door, left)
705857812D 01C satin black
705857812D E66 flannel grey

(1) 7D0857812
three-point seat belt / right
with/without / 1. seat bench
(sliding door, left)
7D0857812 01C satin black
for models with leather trim

3 271857767
spacer sleeve / 11,5MM

(3) 331857767
spacer washer / 14MM

(3) 705857790
spacer bush / 22MM

4 803019811B
hexagonal head bolt / 7/16"X36,5

(4) 705857757
hexagonal head bolt / 7/16"X46,5

5 357857719
cover cap
357857719 01C satin black

7 3B0857799
hexagonal head bolt / 7/16"-20UNFX20

8 703857827
cover for pillar c / left
belt guide
703857827 01C satin black

(8) 703857828
cover for pillar c / right
belt guide
703857828 01C satin black

8E 705858829
cap
belt guide
for vehicles with lap belt
705858829 01C satin black

9 705857827
belt guide
705857827 01C satin black

(9) 705857828
belt guide
sliding door side
705857828 01C satin black

10 N 0139649
oval head panel screw / ST4,2X16-C

11 803019825B
spacer sleeve

12 705857845C
spacer sleeve / 5MM

13 111857793E
hexagonal head bolt

(14) 281857797
cover cap
281857797 01C satin black

16 443857847B
knob
443857847B 4PK soul (black)

20 703857815
three-point seat belt / 2. seat bench
for models with wheelbase: / 2920MM
703857815 01C satin black
703857815 P81 beaver
for models with leather trim
703857815 Q44 ecru (beige)
703857815 E66 flannel grey

(20) 703857815C
three-point seat belt / CALIF.-BEACH
703857815C E66 flannel grey

(20) 705857815
three-point seat belt / 2. seat bench
for vehicles with 2nd evaporator
for models with wheelbase: / 2920MM
705857815 01C satin black
705857815 P81 beaver
for models with leather trim
705857815 E66 flannel grey
705857815 Q44 ecru (beige)

(20) 723857815
three-point seat belt / 2. seat bench
for models with wheelbase: / 3320MM
723857815 01C satin black
723857815 E66 flannel grey

22 3B0857799
hexagonal head bolt / 7/16"-20UNFX20

(23) 281857797
cover cap
281857797 01C satin black

25 703857717
covering / left outer
703857717 01C satin black

(25) 703857718
covering / right outer
703857718 01C satin black

26 703857719
covering / left inner
703857719 01C satin black

(26) 703857720
covering / right inner
703857720 01C satin black

28 443857847B
knob
443857847B 4PK soul (black)

30 3B0857799
hexagonal head bolt / 7/16"-20UNFX20

(31) 281857797
cover cap
281857797 01C satin black

33 111857799
hexagonal head bolt / 7/16"X25

34 803019825B
spacer sleeve / 5MM

35 705857845
spacer sleeve / 26MM
for models with wheelbase: / 3320

36 703857747
belt guide
adapt with workshop equipment
only for: / 703 857 815
(01C)
703857747 01C satin black

(36) 705857748
trim
belt guide
adapt with workshop equipment
for vehicles with 2nd evaporator
only for: / 703 857 815
(01C)
705857748 01C satin black

40 703857743
flexible lock
703857743 01C satin black

(40) 7D0857753
press button buckle / left/right / MULTIVAN 2
/ PR-4C0/4C2
7D0857753 U71 flannel grey

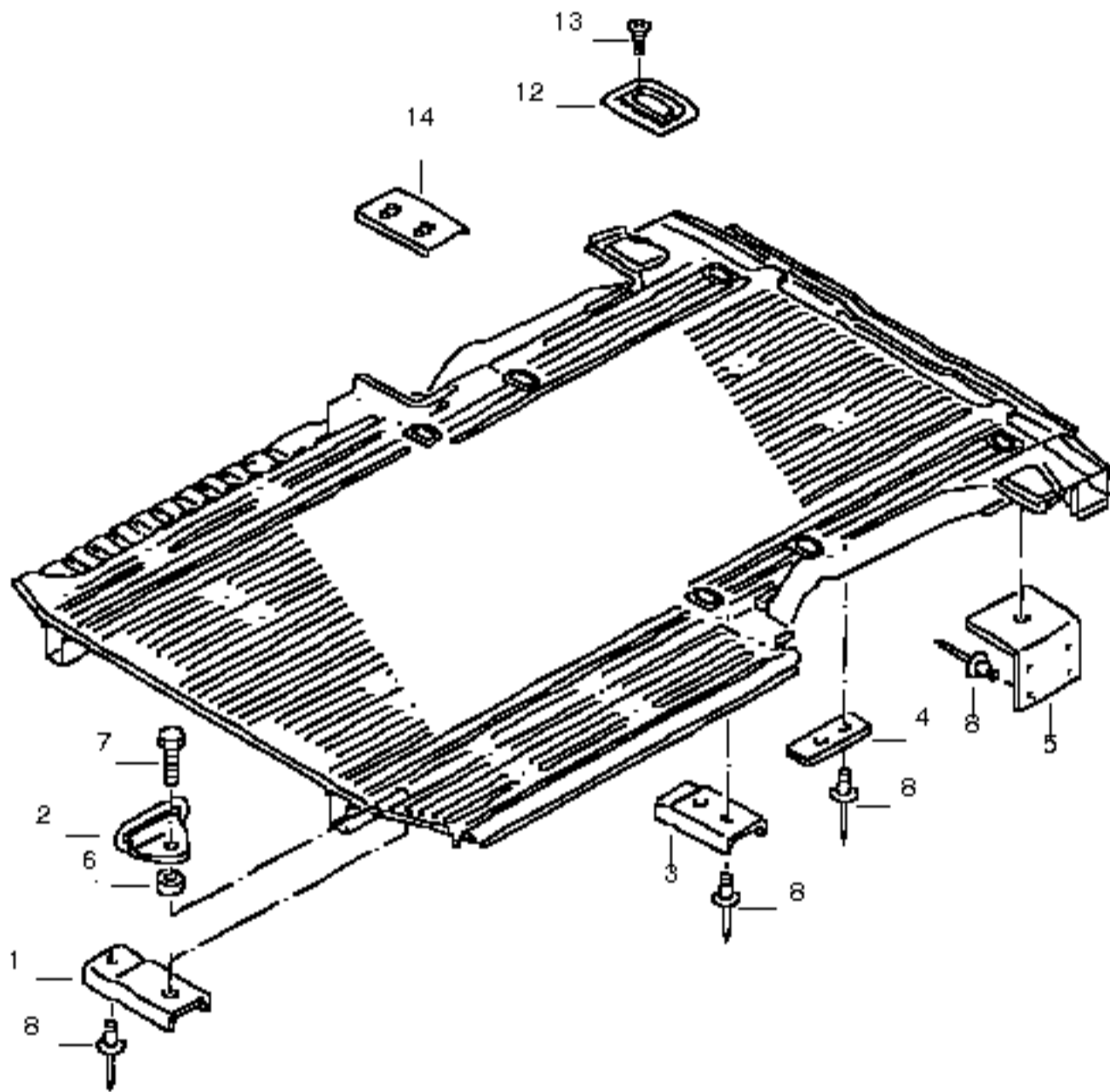
42 703857822
flexible lock
for folding seat
703857822 01C satin black

44 165857900
cover cap

45 803019837
hexagonal head bolt / 7/16"X35

45 N 98907701
hexagonal head bolt / 7/16"-20UNFX16 / MULTIVAN 2

- 111857707A
washer / 11,5X30



tie-down eye
floor plate

- 000800981
sheet metal plate / 200X1500X0,8

- 000800981A
sheet metal plate / 300X1500X0,8

- 000800981B
sheet metal plate / 500X1500X0,8

- 000800981C
sheet metal plate / 800X1500X0,8

1 701801981
retaining plate

2 701801983A
tie-down eye

3 703883281
retaining plate

4 703883281B
retaining plate for models with wheelbase: / 3320MM

5 703883281D
retaining plate

6 271857767
spacer sleeve
for models with wheelbase: / 2920MM
for models with wheelbase: / 3320MM

7 N 0102754
hexagonal head bolt / M10X35
for models with wheelbase: / 2920MM
for models with wheelbase: / 3320MM

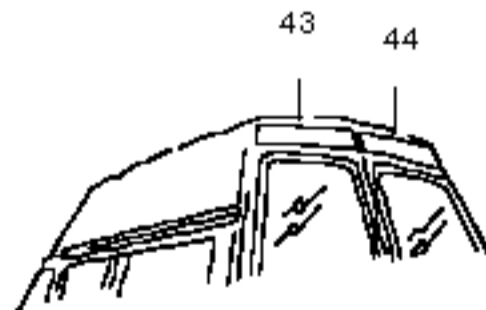
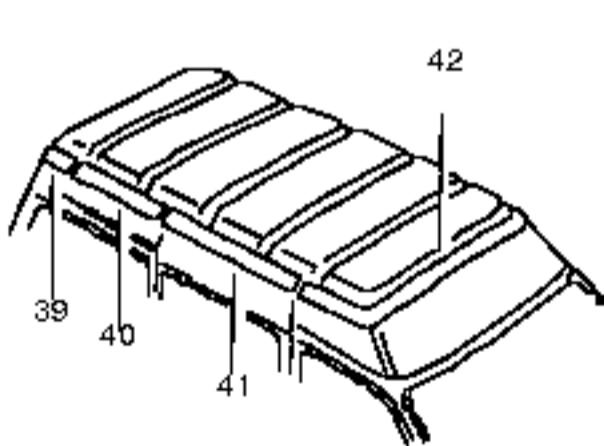
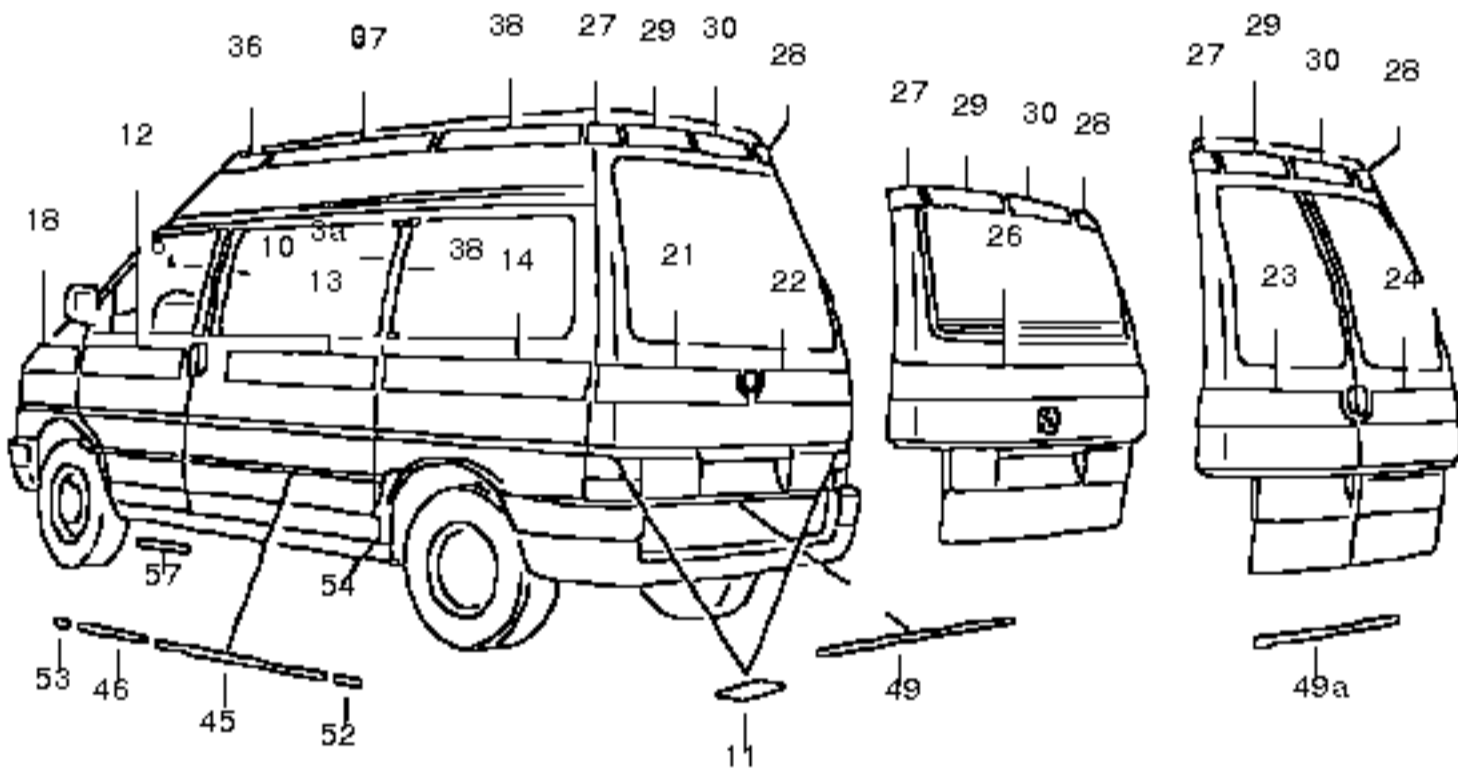
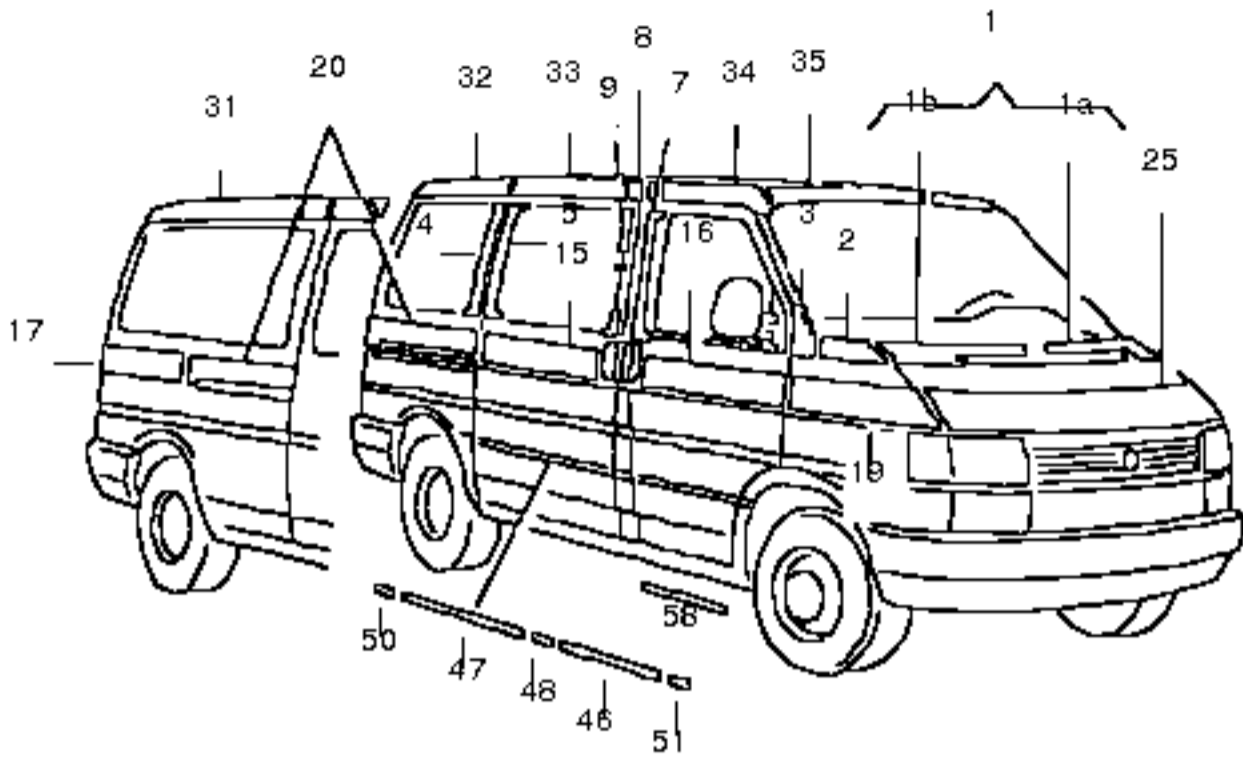
8 N 90478601
pop-rievet / A4,8X11
for models with wheelbase: / 2920MM
for models with wheelbase: / 3320MM

(8) N 90437401
pop-rievet / A4,8X10
for models with wheelbase: / 2920MM
for models with wheelbase: / 3320MM

12 1J0864203B
tie-down eye / left/right chromed
1J0864203B B41 satin black

13 N 10120901
countersunk bolt / M6X15

14 7D1803447
reinforcement tie-down eye



trim foil
trim foil / upper

3A 705853309A
trim foil for pillar c / left front
705853309A 01C satin black

(3A) 705853310A
trim foil for pillar c / right front
705853310A 01C satin black

3B 705853301
trim foil for pillar c / left rear
705853301 01C satin black

(3B) 705853302
trim foil for pillar c / right rear
705853302 01C satin black

(4) 705853317
trim foil for pillar c / left
sliding door side
705853317 01C satin black

4 705853318
trim foil for pillar c / right
sliding door side
705853318 01C satin black

(5) 705853315
trim foil for sliding door / left rear
705853315 01C satin black

5 705853316
trim foil for sliding door / right rear
705853316 01C satin black

6 705853313
trim foil for door / left
705853313 01C satin black

7 705853314
trim foil for door / right
705853314 01C satin black

8 705853311
trim foil for pillar b / left
for vehicles with sliding door / left
705853311 01C satin black

(8) 7D0853312
trim foil for pillar b / right
7D0853312 01C satin black

(8) 705853312
trim foil for pillar b / right
for vehicles with sliding door / right
705853312 01C satin black

(9) 705853335
trim foil for sliding door / left front
705853335 01C satin black

9 705853336
trim foil for sliding door / right front
705853336 01C satin black

10 705853311A
trim foil for pillar b / left
for side panel
705853311A 01C satin black

reflector
reflective warning strip

11 703853047
fluorescent strip / 40X100
for flap, rear
reflective warning strip
make up from: / 723 853 428
/ (L10)
reflective warning strip
make up from: / 723 853 428
/ (L10)
reflective warning strip
make up from: / 723 853 428
/ (L10)
reflective warning strip
make up from: / 723 853 428
/ (L10)
reflective warning strip
make up from: / 723 853 428
/ (L10)
reflective warning strip
make up from: / 723 853 428
/ (L10)

(18) 7D0853428
reflective warning strip / left
for fender
7D0853428 L10 brillante red

(19) 7D0853428A
reflective warning strip / right
for fender
7D0853428A L10 brillante red

20 723853428
reflective warning strip / 100X3000
for side panel / right
sliding door side
723853428 L10 brillante red

21 703853891B
reflective warning strip / left rear
703853891B L10 brillante red

22 703853891B
reflective warning strip / right rear / ambulance
adapt with workshop equipment
703853891B L10 brillante red

23 703853891B
reflective warning strip / left rear
for wing door
adapt with workshop equipment
703853891B L10 brillante red

24 703853891B
reflective warning strip / right rear
for wing door
adapt with workshop equipment
703853891B L10 brillante red

(25) 7D0854923
reflective warning strip
bonnet
7D0854923 L10 brillante red

26 703853891B
reflective warning strip / rear
/ left/right
703853891B L10 brillante red

27 703854915
reflective warning strip
roof / left
for wing door / left upper
703854915 L10 brillante red

28 703854916
reflective warning strip
roof / right
for wing door / right upper
703854916 L10 brillante red

29 703854919
reflective warning strip / left upper
for wing door
703854919 L10 brillante red

30 703854920
reflective warning strip / right upper
for wing door
703854920 L10 brillante red

(31) 703854921A
reflective warning strip / left upper
side panel / front
703854921A L10 brillante red

(31) 703854921B
reflective warning strip / left upper
side panel / rear
703854921B L10 brillante red

(31) 703854922A
reflective warning strip / right upper
side panel / front
703854922A L10 brillante red

(31) 703854922B
reflective warning strip / right upper
side panel / rear
703854922B L10 brillante red

(34) 703854914A
reflective warning strip / right front
roof / passenger door
703854914A L10 brillante red

(34) 703854914B
reflective warning strip / right front
roof / passenger door
703854914B L10 brillante red

35 703854911
reflective warning strip / front
roof
703854911 L10 brillante red

(36) 703854913A
reflective warning strip / left front
roof / driver's door
703854913A L10 brillante red

(36) 703854913B
reflective warning strip / left front
roof / driver's door
703854913B L10 brillante red

(39) 723854915
reflective warning strip / left upper
723854915 L10 brillante red

39 723854916
reflective warning strip / right upper
723854916 L10 brillante red

40 723853428A
reflective warning strip / left upper
for vehicles with roof / 150X4470
723853428A L10 brillante red

41 723853428A L10
reflective warning strip / left
roof
make up from: / 723 853 428 A
/ (L10)

42 723854911
reflective warning strip / front
roof
for high sliding door
723854911 L10 brillante red

43 723854917
reflective warning strip / left rear
roof
723854917 L10 brillante red

44 723854918
reflective warning strip / right rear
roof / 150X3120
723854918 L10 brillante red

trim foil / lower

- 703898524
1 set: trim strips for waistline / 3/6/123/174
703898524 N7P silver grey

45 703854415
trim foil / ALLSTAR
703854415 N7P silver grey

(45) 7D0854415
trim foil / TOPSTAR
7D0854415 7T9 blue grey metallic

46 703854415
trim foil for side panel / ALLSTAR
adapt with workshop equipment
703854415 N7P silver grey

(46) 7D0854415
trim foil / TOPSTAR
7D0854415 7T9 blue grey metallic

47 703854415
trim foil for side panel / ALLSTAR
adapt with workshop equipment
703854415 N7P silver grey

48 703854415
trim foil for side panel / ALLSTAR
adapt with workshop equipment
703854415 N7P silver grey

49 703854421
trim foil / 3/6/174X1325 / ALLSTAR
for flap, rear
703854421 N7P silver grey

49A 703854421
trim foil for tailgate / 3/6/174X1325
for flap, rear
adapt with workshop equipment
703854421 N7P silver grey

50 703854418
trim foil for side panel / right rear / ALLSTAR
703854418 N7P silver grey

51 703854424
trim foil / right front / ALLSTAR
wheel housing
703854424 N7P silver grey

52 703854417
trim foil for side panel / left rear / ALLSTAR
703854417 N7P silver grey

53 703854423
trim foil / left front / ALLSTAR
wheel housing
703854423 N7P silver grey

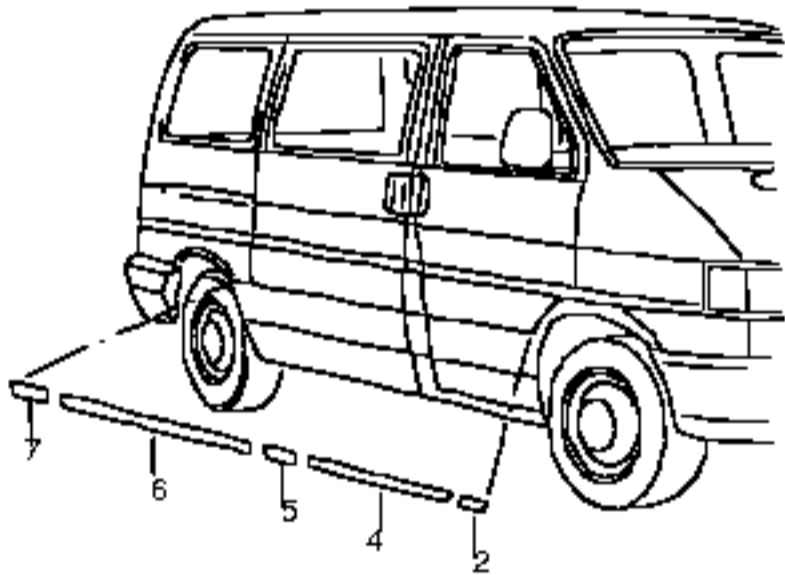
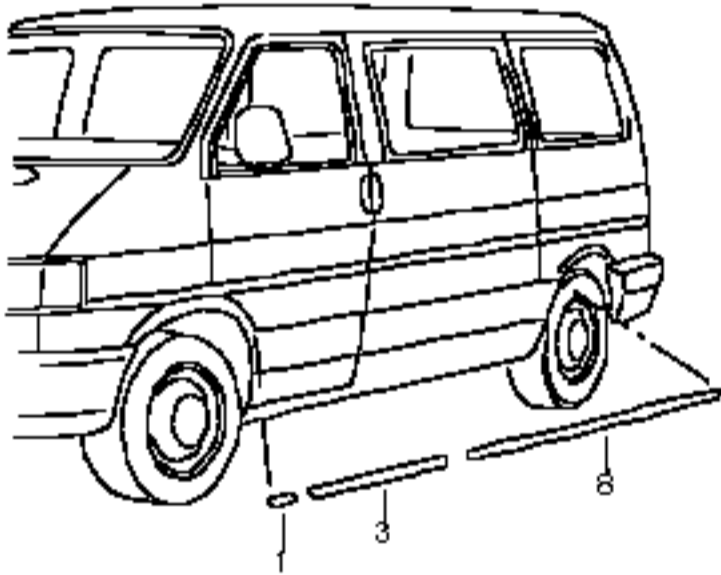
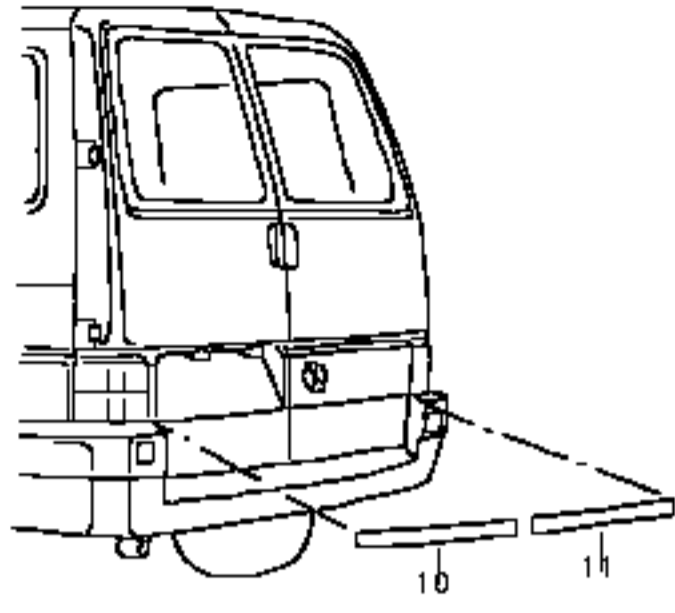
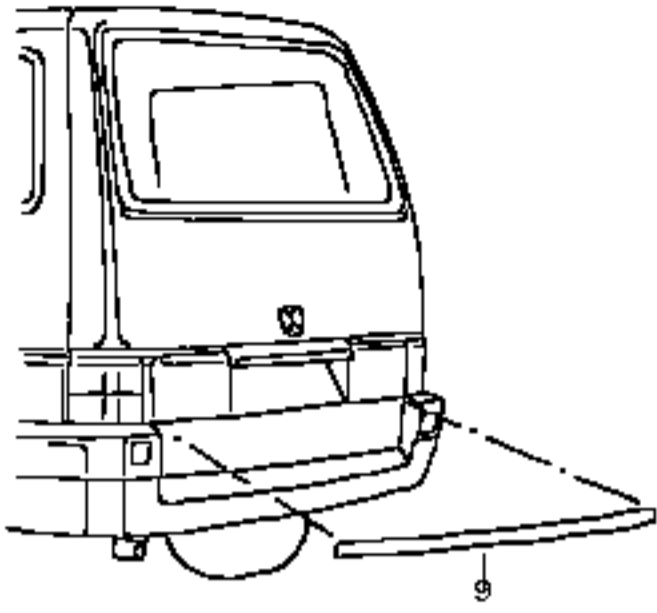
stone protection foil

54 701853931A
protective foil / left rear

(54) 701853932A
protective foil / right rear

57 7D1854811
sill panel protective foil / left

58 7D1854811
sill panel protective foil / right



trim foil / PR-5M3

1 7D0854423B

trim foil / left front

wheel housing

for models with wheelbase: / 2920MM

7D0854423B V3Z darkcolorado-pearl effect

7D0854423B V5U techno blue pearl effect

7D0854423B V5W neblio blue metallic

7D0854423B V6W elegance green metallic

7D0854423B V6X spice green-pearl effect

7D0854423B V7B reflex silver

2 7D0854424B

trim foil / right front

wheel housing

for models with wheelbase: / 2920MM

7D0854424B V3Z darkcolorado-pearl effect

7D0854424B V5U techno blue pearl effect

7D0854424B V5W neblio blue metallic

7D0854424B V6W elegance green metallic

7D0854424B V6X spice green-pearl effect

7D0854424B V7B reflex silver

3 7D0854411B

trim foil / left

door

for models with wheelbase: / 2920MM

7D0854411B V3Z darkcolorado-pearl effect

7D0854411B V5U techno blue pearl effect

7D0854411B V5W neblio blue metallic

7D0854411B V6W elegance green metallic

7D0854411B V6X spice green-pearl effect

7D0854411B V7B reflex silver

4 7D0854412B

trim foil / right

door

for models with wheelbase: / 2920MM

7D0854412B V3Z darkcolorado-pearl effect

7D0854412B V5U techno blue pearl effect

7D0854412B V5W neblio blue metallic

7D0854412B V6W elegance green metallic

7D0854412B V6X spice green-pearl effect

7D0854412B V7B reflex silver

(5) 7D0854419A

trim foil / left

b-pillar

for models with wheelbase: / 2920MM

7D0854419A V3Z darkcolorado-pearl effect

7D0854419A V5U techno blue pearl effect

7D0854419A V5W neblio blue metallic

7D0854419A V6W elegance green metallic

7D0854419A V6X spice green-pearl effect

7D0854419A V7B reflex silver

5 7D0854420B

trim foil / right

b-pillar

for models with wheelbase: / 2920MM

7D0854420B V3Z darkcolorado-pearl effect

7D0854420B V5U techno blue pearl effect

7D0854420B V5W neblio blue metallic

7D0854420B V6W elegance green metallic

7D0854420B V6X spice green-pearl effect

7D0854420B V7B reflex silver

6 7D0854413A

trim foil / left/right

for sliding door

for models with wheelbase: / 2920MM

7D0854413A V3Z darkcolorado-pearl effect

7D0854413A V5U techno blue pearl effect

7D0854413A V5W neblio blue metallic

7D0854413A V6W elegance green metallic

7D0854413A V6X spice green-pearl effect

7D0854413A V7B reflex silver

(7) 7D1854417A

trim foil for pillar c / left

for models with wheelbase: / 2920MM

7D1854417A V3Z darkcolorado-pearl effect

7D1854417A V5U techno blue pearl effect

7D1854417A V5W neblio blue metallic

7D1854417A V6W elegance green metallic

7D1854417A V6X spice green-pearl effect

7D1854417A V7B reflex silver

7 7D1854418A

trim foil for pillar c / right

for models with wheelbase: / 2920MM

7D1854418A V3Z darkcolorado-pearl effect

7D1854418A V5U techno blue pearl effect

7D1854418A V5W neblio blue metallic

7D1854418A V6W elegance green metallic

7D1854418A V6X spice green-pearl effect

7D1854418A V7B reflex silver

8 7D1854415A

trim foil for side panel / left

for models with wheelbase: / 2920MM

7D1854415A V3Z darkcolorado-pearl effect

7D1854415A V5U techno blue pearl effect

7D1854415A V5W neblio blue metallic

7D1854415A V6W elegance green metallic

7D1854415A V6X spice green-pearl effect

7D1854415A V7B reflex silver

(8) 7D1854416A

trim foil for side panel / right

for models with wheelbase: / 2920MM

7D1854416A V3Z darkcolorado-pearl effect

7D1854416A V5U techno blue pearl effect

7D1854416A V5W neblio blue metallic

7D1854416A V6W elegance green metallic

7D1854416A V6X spice green-pearl effect

7D1854416A V7B reflex silver

9 7D0854421C

trim foil for tailgate

7D0854421C V3Z darkcolorado-pearl effect

7D0854421C V5U techno blue pearl effect

7D0854421C V5W neblio blue metallic

7D0854421C V6W elegance green metallic

7D0854421C V6X spice green-pearl effect

7D0854421C V7B reflex silver

10 7D0854421D

trim foil / left

for wing door

7D0854421D V3Z darkcolorado-pearl effect

7D0854421D V5U techno blue pearl effect

7D0854421D V5W neblio blue metallic

7D0854421D V6W elegance green metallic

7D0854421D V6X spice green-pearl effect

7D0854421D V7B reflex silver

11 7D0854422A

trim foil / right

for wing door

7D0854422A V3Z darkcolorado-pearl effect

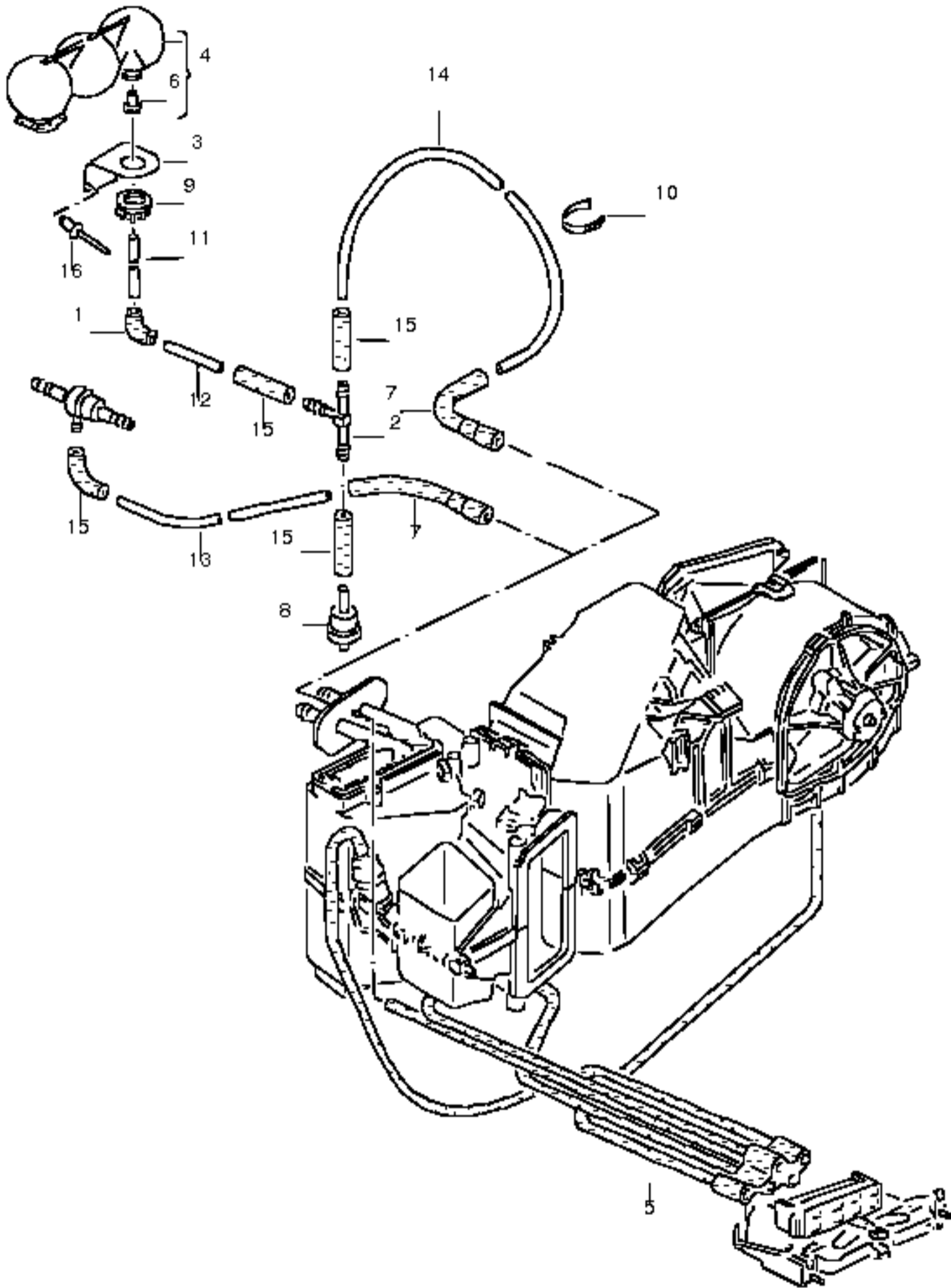
7D0854422A V5U techno blue pearl effect

7D0854422A V5W neblio blue metallic

7D0854422A V6W elegance green metallic

7D0854422A V6X spice green-pearl effect

7D0854422A V7B reflex silver



vacuum reservoir

vacuum hoses

1 034133784

angled hose / 3,5MM

2 113201943B

t-piece / 4/4/4

3 701820281A

bracket for vacuum tank

F >> 70-Y-000 001*

3 701820281A

bracket for vacuum tank

F 70-Y-000 002>>* / AHY

(4) 7D0820601

vacuum reservoir

for vehicles with air condit.

F >> 70-Y-000 001*

(4) 7D0820601

vacuum reservoir

for vehicles with air condit.

F 70-Y-000 002>>* / AHY

5 701820605

vacuum hoses with connection

6 357820609

grommet

F >> 70-Y-000 001*

6 357820609

grommet

F 70-Y-000 002>>* / AHY

7 6N0820641A

reducer hose

8 433862117

non-return valve

- 702820755

bracket for hose / lhd / 6 cylinder

9 311955461

nut

F >> 70-Y-000 001*

9 311955461

nut

F 70-Y-000 002>>* / AHY

10 N 0209022

cable tie / 6X246

- N 0201391

tube in coils of 5m 'order unit 5' / 4X1

shorten to: / 100MM

shorten to: / 50MM

shorten to: / 410MM

shorten to: / 450MM

- N 0203535

hose in coils of 5m 'order unit 5' / 3,5X2

shorten to: / 40MM

16 N 90576301

pop-rivet / A4X9X8X1,2

- 701525685

vacuum hose / 4X1X500 / AET,AEU,APL,

white / lhd / AVT

for vehicles with engageable differential lock

- 721525699

vacuum hose / 5750MM

for models with anti-lock brake system -abs-

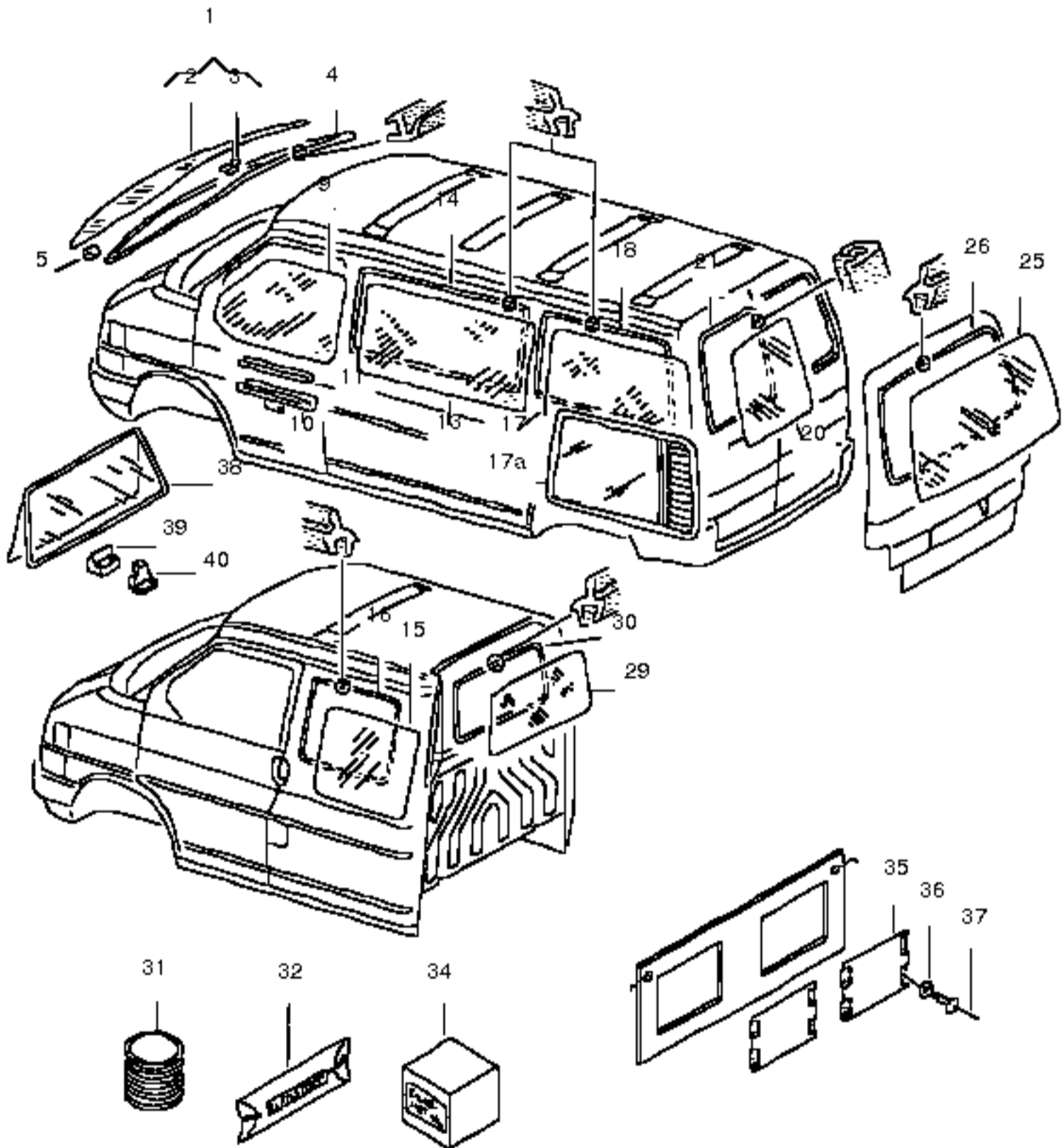
for models with wheelbase: / 3320MM

- 701525699

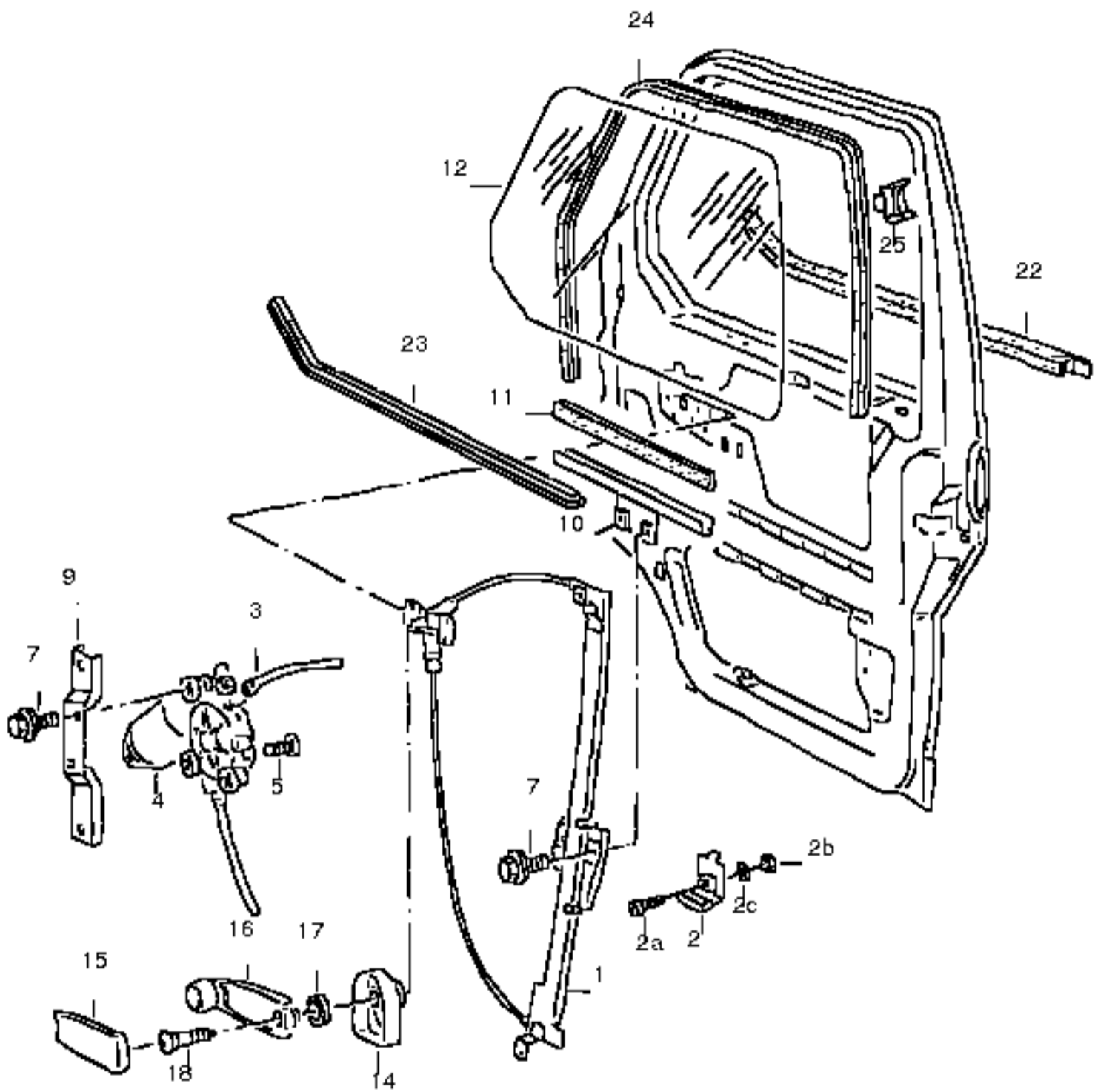
vacuum hose / 5350MM

for models with anti-lock brake system -abs-

for models with wheelbase: / 2920MM



- window glasses
- (1) 7D0845099P
windshield glass (laminated) with tinted zone / clear glass / PR-4GS
/ grey
- 17D0845099Q
windscreen glass (laminated) with aerial and tinted zone / clear glass / PR-4GS,8L8
/ grey
- (1) 7D0845099R
windshield glass (laminated) with tinted zone / green / PR-4GF
/ grey
- (1) 7D0845099T
windscreen glass (lam.ins.) with tinted zone / blue-tinted / PR-4GY / grey
- (1) 7D0845099AA
windscreen glass (laminated/ insulated) with aerial and tinted zone / blue-tinted / PR-8L8,4GY
/ grey
- (1) 7D0845099S
windscreen glass (laminated) with aerial and tinted zone / green / PR-8L8,4GF
/ grey
- 7D0867249
beading
a-pillar, inner
see illustration: / 867-60
7D0867249 01C satin black
- (3) 6N0845543
retaining plate for rear view mirror, interior
- 4 701845121J
seal for windshield
- 5 -----
no longer available
- 9 701845201
door window / left
- (9) 703845201
door window / green
/ left
- (9) 701845202
door window / right
- (9) 703845202
door window / green
/ right
- 10 357839571
lift channel
- 11 831837565
seal for lift channel
- (13) 703845301S
side window for side panel / front
- (13) 703845301T
side window for side panel / green
/ front
- (13) 7D0845301C
side window (insulated glass) for side panel / green/black
/ front
- (13) 703845301P
side window for side panel / part. frosted / ambulance
/ front
- 13 703845301Q
side window (insul. glass) for side panel / front
- (13) 703845301AA
side window for sliding door
- (13) 703845301AB
side window for sliding door / green
- (13) 7D0845301B
side window (insulated glass) for sliding door / green/black
- (13) 703845301R
side window (insul. glass) for sliding door
- 14 723845121
seal for side window / 516X1290
adapt with workshop equipment / rear
- (14) 723845121B
moulding frame / 3420MM
for use on windows which have not been removed / front
adapt with workshop equipment
see workshop manual
- 15 729845315
side window for side panel / clear glass / double cab
- (15) 729845315B
side window for side panel / green / double cab
- (15) 729845315A
side window for crew cab door / clear glass / double cab
- (15) 729845315C
side window for crew cab door / green / double cab
- 16 701845121A
gasket / 3630MM / double cab
- (16) 701845121G
moulding frame / 3630MM / double cab
for use on windows which have not been removed
adapt with workshop equipment
see workshop manual
- 17 703845331K
side window / 516X968
/ left rear
- (17) 703845331J
side window / green
/ left rear
- (17) 7D0845331A
side window (insulated glass) / green/black
/ left rear
- (17) 703845331F
side window / part. frosted / ambulance
/ left rear
- (17) 703845331G
side window (insul. glass) / 516X968
/ left rear
- (17) 723845331H
side window / 516X1290
for vehicles with extended wheelbase / left rear
- (17) 723845331E
side window / green
for vehicles with extended wheelbase / 516X1290
/ left rear
- (17) 7D3845331A
side window (insulated glass) / green/black
for vehicles with extended wheelbase / 516X1290
/ left rear
- (17) 723845331B
side window / part. frosted / ambulance
for vehicles with extended wheelbase / 516X1290
/ left rear
- (17) 723845331C
side window (insul. glass) / 516X1290
for vehicles with extended wheelbase / left rear
- (17) 703845332N
side window / 516X968
/ right rear
- (17) 703845332P
side window / green
/ 516X968
/ right rear
- (17) 7D0845332D
side window (insulated glass) / green/black
/ 516X968
/ right rear
- (17) 703845332F
side window / part. frosted / ambulance
/ 516X968
/ right rear
- (17) 703845332G
side window (insul. glass) / 516X968
/ right rear
- (17) 703845332Q
side window / 516X968 / air condit.
for vehicles with 2nd evaporator / right rear
- (17) 703845332R
side window / green / air condit.
for vehicles with 2nd evaporator / 516X968
/ right rear
- (17) 7D0845332A
side window (insulated glass) / green/black / air condit.
for vehicles with 2nd evaporator / 516X968
/ right rear
- (17) 723845332P
side window / 516X1290
for vehicles with extended wheelbase / right rear
- (17) 723845332N
side window / green
for vehicles with extended wheelbase / 516X1290
/ right rear
- (17) 7D3845332A
side window (insulated glass) / green/black
for vehicles with extended wheelbase / right rear
/ 516X1290
- (17) 7D3845332H
side window / green / air condit.
for vehicles with extended wheelbase / 516X1290
/ right rear
for vehicles with 2nd evaporator
- (17) 7D3845332J
side window (insulated glass) / green/black / air condit.
for vehicles with extended wheelbase / 516X1290
/ right rear
for vehicles with 2nd evaporator
- (17) 723845332B
side window / part. frosted / ambulance
for vehicles with extended wheelbase / 516X1290
/ right rear
- (17) 723845332C
side window (insul. glass) / 516X1290
for vehicles with extended wheelbase / right rear
- (17A) 703845298B
side window / right rear
for vehicles with passenger comp. ventilation
use if required: / N 903 556 01
- (17A) 703845298C
side window / green
for vehicles with / right rear
passenger comp. ventilation
use if required: / N 903 556 01
- (17A) 703845298D
side window (insul. glass) / right rear
for vehicles with passenger comp. ventilation
use if required: / N 903 556 01
- (17A) 7D1845298C
side window (insulated glass) / green/black
for vehicles with / right rear
passenger comp. ventilation
use if required: / N 903 556 01
- (17A) 723845298
side window / right rear
for vehicles with passenger comp. ventilation
for vehicles with extended wheelbase
use if required: / N 903 556 01
- (17A) 723845298A
side window / green
for vehicles with / right rear
passenger comp. ventilation
for vehicles with extended wheelbase
use if required: / N 903 556 01
- (17A) 723845298B
side window (insul. glass) / right rear
for vehicles with
passenger comp. ventilation
for vehicles with extended wheelbase
use if required: / N 903 556 01
- (17A) 7D3845298A
side window (insulated glass) / green/black
for vehicles with / right rear
passenger comp. ventilation
for vehicles with extended wheelbase
use if required: / N 903 556 01
- 18 723845121
seal for side window / 516X1290
adapt with workshop equipment / rear
- (18) 723845121B
moulding frame / 3420MM
for use on windows which have not been removed / rear
adapt with workshop equipment
see workshop manual
- (20) 7D3845501
heated rear window / left
for high wing door / clear glass
- (20) 7D3845501B
heated rear window / left
for high wing door / green
- (20) 7D0845501
heated rear window / left
for wing door / clear glass
- (20) 7D0845501E
heated rear window / left
for wing door
for models with additional brake light
- (20) 7D0845501A
heated rear window / left
for wing door / green
- (20) 7D0845501C
rear window glass(insul.glass) heated / green/black
/ left
for wing door
for models with additional brake light
- (20) 7D0845501D
heated rear window / green
for wing door / left
for models with additional brake light
- (20) 7D3845502
heated rear window / right
for high wing door / clear glass
- (20) 7D3845502B
heated rear window / right
for high wing door / green
- (20) 7D0845502
heated rear window / right
for wing door / clear glass
- (20) 7D0845502A
heated rear window / right
for wing door / green
- (20) 7D0845502C
rear window glass(insul.glass) heated / green/black
/ right
for wing door
- (21) 701845521
seal for rear window glass / left a. right
for wing door
- 21 721845521
seal for rear window glass / left a. right
for high wing door
- 25 7D0845503
heated rear window
- (25) 7D0845503A
heated rear window / green
- (25) 7D0845503B
heated rear window / green
for models with additional brake light and tailgate trim panel
- (25) 7D0845503D
heated rear window
for models with additional brake light and tailgate trim panel
- (25) 7D0845503M
heated rear window / green
for models with additional brake light
- (25) 7D0845503N
heated rear window
for models with additional brake light
- (25) 7D0845503E
rear window glass(insul.glass) heated / green/black
for models with additional brake light and tailgate trim panel
- (25) 7D0845503P
rear window glass(insul.glass) heated / green/black / camp- mobile
for models with additional brake light and tailgate trim panel
- (25) 7D0845503F
rear window glass(insul.glass) / clear glass
for models with additional brake light and tailgate trim panel
- (25) 7D0845503K
rear window glass(insul.glass)
for models with additional brake light
- (25) 7D0845503L
rear window glass / part. frosted
for models with additional brake light
- (25) 703845503A
rear window glass(insul.glass)
- 26 701845121A
gasket / 3630MM
- (26) 701845121G
moulding frame / 3630MM
for use on windows which have not been removed
see workshop manual
- 29 707845503A
heated rear window / clear glass / RITSCHENWG.
/ heated / double cab
/ PR-4HD
- (29) 707845503B
heated rear window / green / pick-up
/ heated / double cab
/ PR-4HF
make up from: / 701 845 121 A
- 31 357845955
cutting wire for removing windows / 0,6X0,6X50000
- 32 DH 009100
1k-window adhesive / 300ML
- (32) DH 00910003
1k-window adhesive / 110ML
- (32) DA 004600A2
2k-window adhesive set / 400ML
- 34 D 000703A1
1 set of glass-metal adhesive / 0,3G
for: retaining plate for rear view mirror, interior
- 35 72984551A
glass panel for tailboard / rear
- 36 N 90437401
pop-rivet / A4,8X10
- 37 N 90205601
washer / 5,3X12X1
- 38 703847761
hinged window / left rear / "L."
/ ambulance
- 39 703847783
sealing bearing / "L."
/ ambulance
- 40 703847775
bracket for damper / "L."
/ ambulance



window regulator
window guide

(1) 701837501F
window regulator / left

(1) 701837502F
window regulator / right

2 701837445
stop for window regulator / left

(2) 701837450
stop for window regulator / right

2A N 0141551
fillister hd. bolt / M5X22

2B N 0111821
hexagon nut, self-locking / M5

2C 701837681
washer / 5,2X9X2

(3) 701837461B
window lifter without motor / left

3 701837462B
window lifter without motor / right

(4) 7D0959801C
window regulator motor / left

4 7D0959802C
window regulator motor / right

5 N 0141335
fillister hd. bolt / M5X12

7 N 0143401
hexagonal head bolt / M6X10

(9) 701837533
retainer / left
for models with electrically operated windows

9 701837534
retainer / right
for models with electrically operated windows

10 357839571
lift channel

11 831837565
seal for lift channel / 348MM
see illustration: / 845-00

(16) 1H0837581D
window crank
1H0837581D J51 lagoon
1H0837581D Q70 light beige
1H0837581D U71 flannel grey
1H0837581D 9UW sahara

(22) 701837703A
window slot seal / left outer

22 701837704A
window slot seal / right outer

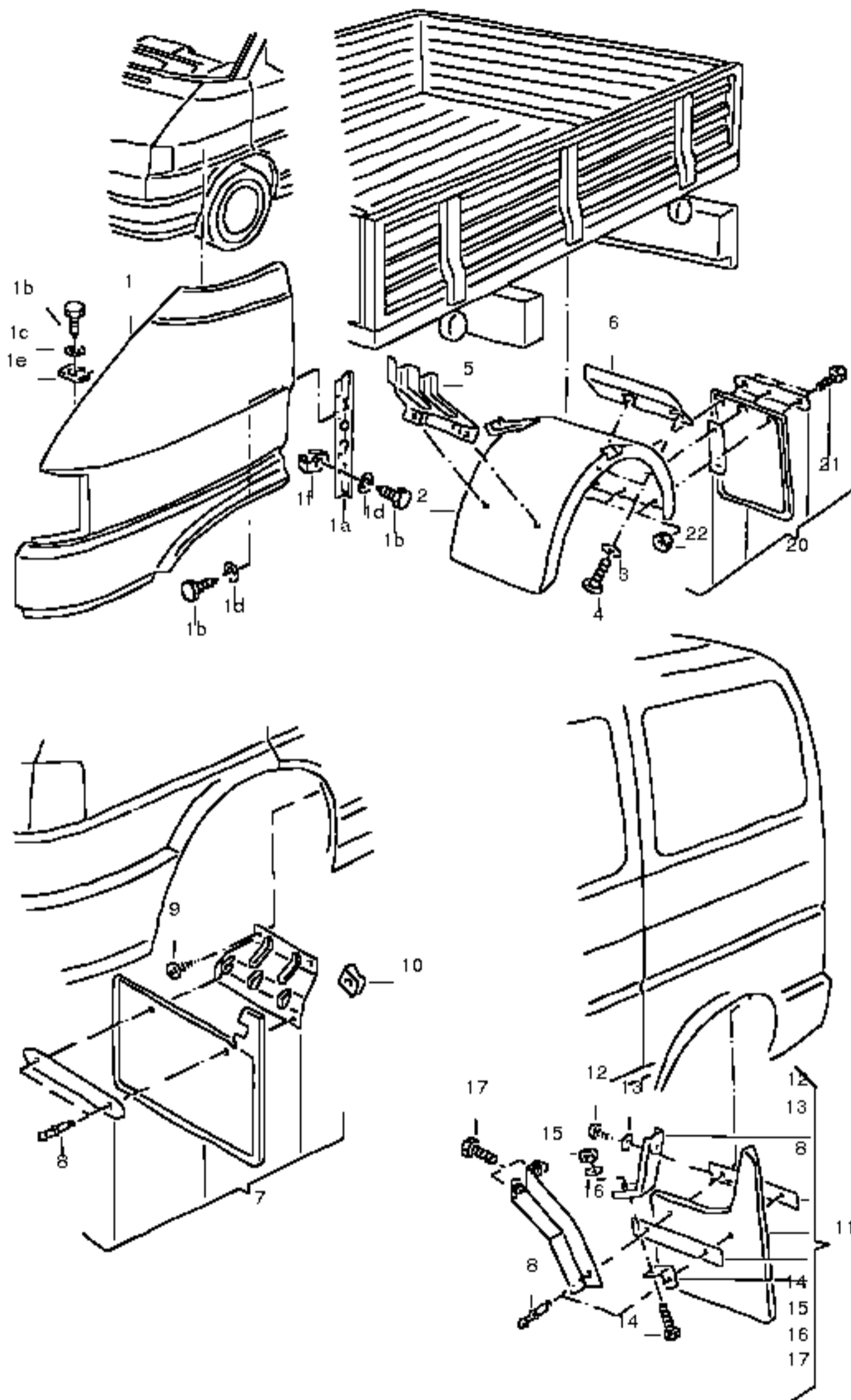
23 701837705
window slot seal / left inner

(23) 701837706
window slot seal / right inner

(24) 701837709D
window guide / left

24 701837710C
window guide / right

25 701837715
stop buffer



wing / front and rear
mud flap
wing

(1) 7D0821103
wing / left front / PR-AC0

(1) 7D0821104B
wing / right front / PR-AC0

(1) 701821105B
wing / left front / PR-AC1+2E2
for models with tyre size: / 15"

(1) 7D0821105
wing / left front / PR-AC1+2E3
for models with tyre size: / 16"

(1) 7D0821106D
wing / right / PR-AC1+2E2
for models with tyre size: / 15"

(1) 7D0821106A
wing / right front / PR-AC1+2E3
for models with tyre size: / 16"

adapter
for fender / PR-AC1

see illustration: / 805-00

1A 701821099

rip plate / left

(1A) 701821100

rip plate / right

1B N 0159451

hexagon head panel screw / A6,5X16

1C N 01166615

washer / 6,4X18X1,6

1D N 0115476

washer / A6,5X14X1,6

1E N 0154322

snap nut / B6,3X25X16

1F N 0120622

speed nut / B6,3

- N 90149502

t-bolt / 5X10

(2) 707821451C

wing / rear

F >> 70-Y-200 000 / pick-up

(2) 7D5821455A

wing / (plastic)

F 70-1-000 001>> / pick-up

7D5821455A B41

satin black / rear

3 N 01152423

washer / A6,4X12,5X1,6

F >> 70-Y-200 000 / pick-up

4 N 01021226

hexagonal head bolt / 26X12

F >> 70-Y-200 000 / pick-up

(4) N 90883701

torx socket fillister hd. bolt / 7X35X16-Q

F 70-1-000 001>> / pick-up

5 707821487

bracket - fender / left front

F >> 70-Y-200 000 / pick-up

(5) 707821488

bracket - fender / right front

F >> 70-Y-200 000 / pick-up

6 707821495

bracket - fender / rear

F >> 70-Y-200 000 / pick-up

mud flap

7 7D0821173

mud flap / left front

(7) 7D0821809

mud flap with bracket / left front / "MEX", "ZA.",

/ camp- mobile

(7) 7D0821174

mud flap / right front

(7) 7D0821810

mud flap with bracket / right front / "MEX", "SA.",

/ camp- mobile

8 N 0162011

cup rivet / AK4,8X14

(8) N 90478601

pop-rivet / A4,8X11

(8) N 01021720

bolt, hexagon head self-locking / M6X20MK / "MEX", "ZA."

(8) N 90436903

hex. nut, self-locking with washer / M6-Z2 / "MEX", "ZA."

9 N 0138905

hexagon head panel screw / ST6,3X13-C

F >> 70-1-120 000*

(9) N 10266802

hex. hd. self-tap bolt (combi) / ST6,3X16-Z2

F 70-1-120 001>>*

(9) N 0139649

oval head panel screw / ST4,2X16-C / "MEX", "ZA.",

/ camp- mobile

also use: / N 011 692 9

- N 0116929

washer / 5,1X15X1 / "MEX", "ZA.",

/ camp- mobile

10 701821841

clips

F >> 70-1-140 000*

F 70-1-140 001>>*

(11) 7D0821811

mud flap with bracket / left rear

use if required: / N 010 217 20 / "MEX", "ZA."

/ N 904 369 03 / "MEX", "ZA."

(11) 7D0821812

mud flap with bracket / right rear

use if required: / N 010 217 20 / "MEX", "ZA."

/ N 904 369 03 / "MEX", "ZA."

12 N 90518801

hexagon head wood screw / 5X25

(12) N 90731501

torx socket head panel screw / 6X25-Q

13 N 01152423

washer / A6,4X12,5X1,6

14 N 01021612

hexagonal head bolt / M6X18

15 N 01100624

hexagonal nut / M6

16 N 01152423

washer / A6,4X12,5X1,6

17 N 0138612

hex.hd. thread cutting bolt / AM6X12

17 N 01396813

oval head panel screw / AM6X12

(20) 707821811A

mud flap / rear

/ pick-up

21 N 01021612

hexagonal head bolt / M6X18

F >> 70-Y-200 000 / pick-up

(21) N 10285601

hexagon head bolt (combi) / M6X25

F 70-1-000 001>> / pick-up

21 N 01021612

hexagonal head bolt / M6X18 / low-loader pick-up

F 70-1-000 001>>

22 N 01100624

hexagonal nut / M6

F >> 70-Y-200 000 / pick-up

(22) N 90436903

hex. nut, self-locking with washer / M6-Z2

F 70-1-000 001>> / pick-up

22 N 01100624

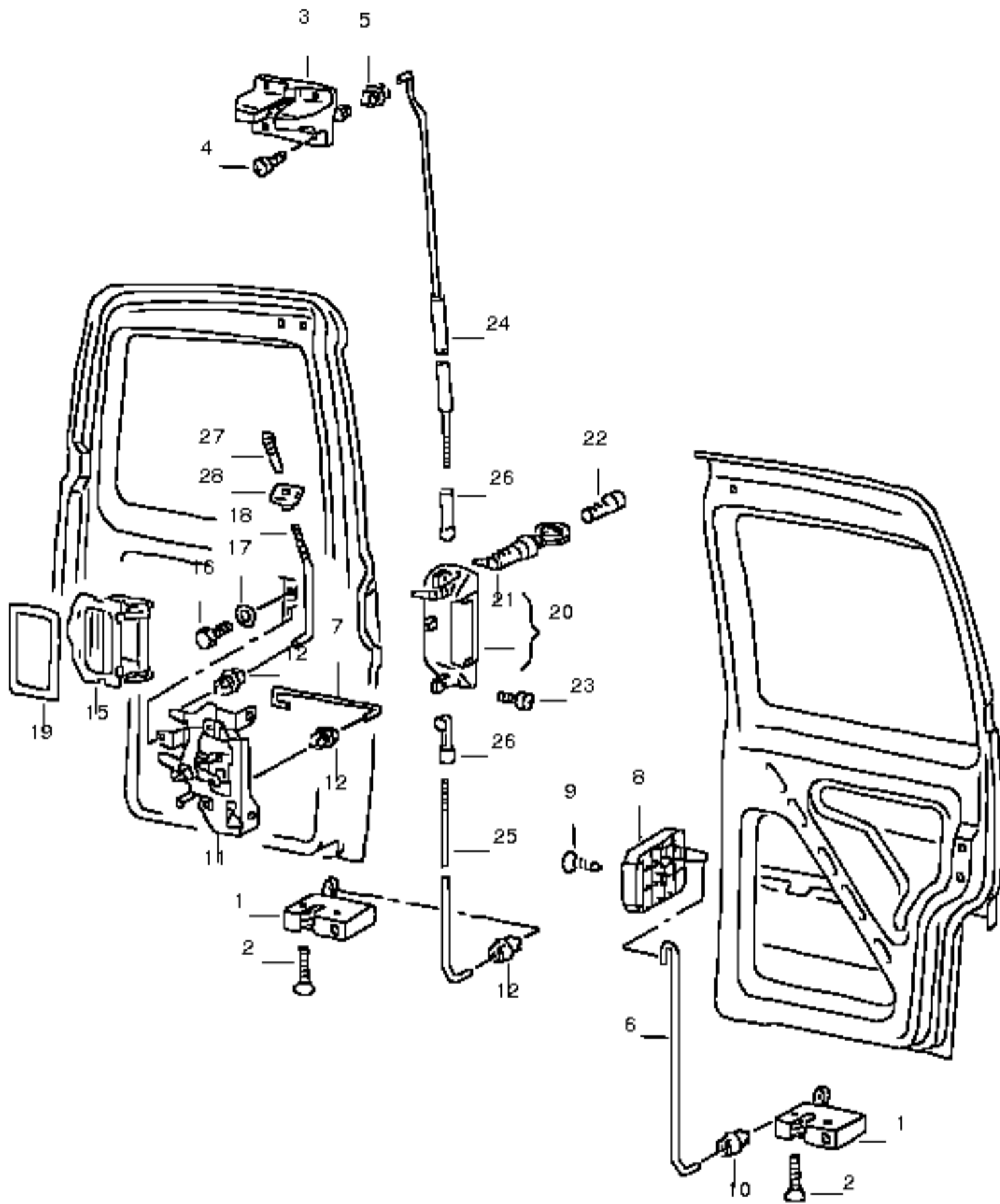
hexagonal nut / M6 / low-loader pick-up

F 70-1-000 001>>

- 7D0898051

attachment parts for one fender

/ front



wing door lock
door handle, outer
door inner operating lever

1 701827635
door lock / lower
/ left/right

2 N 0331881
countersunk bolt / M8X40

3 701827162
door lock / upper

(3) 701827162
door lock / upper
for high wing door / left/right

4 N 0330421
oval head countersunk bolt / M6X18

5 191837199
clip

(6) 721827165
operating rod
door lock
for high wing door

6 7D0827165
operating rod
door lock

7 701827164
operating rod
door inner operating lever

(8) 721827185
operating lever
rework if necessary
operating lever / remove
721827185 01C satin black

8 721827185
operating lever
for high wing door
721827185 01C satin black

9 N 0140933
oval head panel screw / ST4,2X13-C

10 191837199
clip

11 701827503
wing door lock / right

12 191837199
clip

15 705829309A
door inner operating lever
705829309A 01C satin black

16 N 0141387
fillister hd. bolt / M6X10

17 N 01152423
washer / A6,4X12,5X1,6

18 701827521
locking rod / 63MM

(18) 705827521
locking rod / 93MM / bus
/ MULTIVAN
/ ambulance

19 701827557A
trim
701827557A 01C satin black

20 701827561
door handle, outer / right
/ satin black

(20) 701827561A
door handle, outer for safety lock / right

21 701843709A
lock cylinder
(safety lock)

(22) 701837061C
lock cylinder for door handle without tumblers and key

system 'b' profile ah
for lock combination numbers: 1001-2000,3001-4000,6001-7086, 8201-9282

23 N 01414112
fillister hd. bolt / M6X18

(24) 721827163
operating rod / left upper
door lock
for high wing door

(24) 721827164
operating rod / right upper
door inner operating lever
for high wing door

24 701827611
operating rod / right upper

25 701827612A
operating rod / lower

(25) 701827612A
operating rod / lower
for high wing door

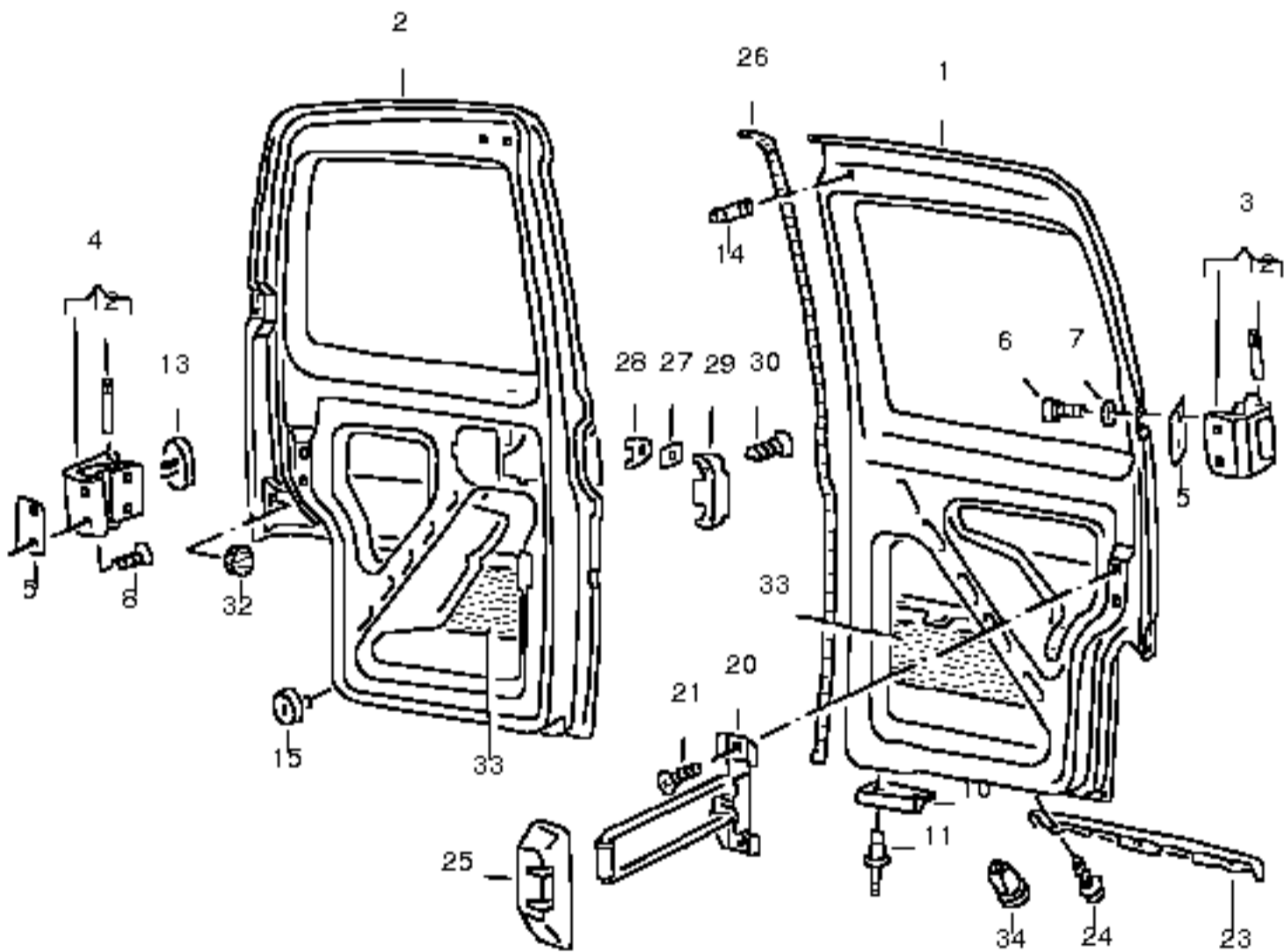
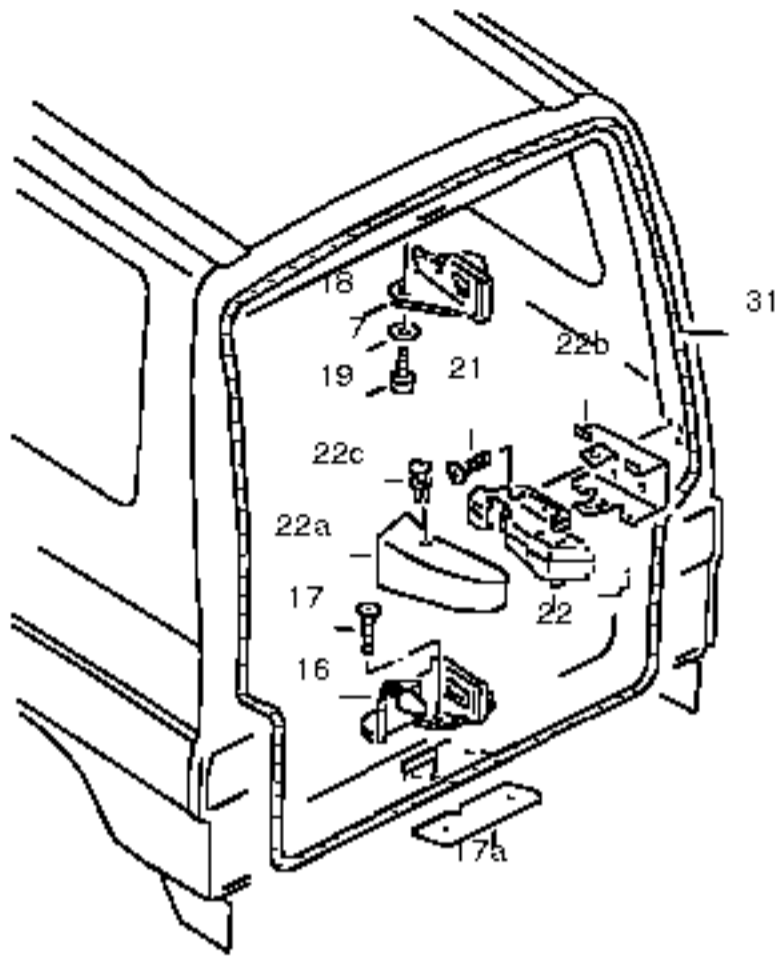
- 701843747
clip

26 357827637A
clip

27 357837187
knob for locking rod
357837187 01C satin black

28 701837355
collar
701837355 01C satin black

- G 052778A2
lock cylinder lubricant spray / 50ML



wing doors / rear

1 701827103

wing door with window opening / left

(1) 701827103A

wing door without window opening / left

2 701827104D

wing door with window opening / right

(2) 701827104E

wing door without window opening / right

- 701827267A

threaded plate

3 701827151A

door hinge / left upper

(3) 701827153A

door hinge / left lower

(4) 701827152A

door hinge / right upper

4 701827154A

door hinge / right lower

gasket

hinge / upper/lower

make up from: / 701 827 157 D

- 701827157D

gasket / 210X149MM

6 N 0147702

allen key head bolt / M8X15

7 N 01152520

washer / A8,4X16X1,6

(7) N 90033302

washer / B8,4X20X2,5

8 N 0214111

oval head countersunk bolt / M8X24

shorten to: / 20MM

10 701829199

stop channel / 300MM

shorten to: / 227MM

11 N 90478601

pop-rivet / A4,8X11

12 701827309

pin - hinge

13 701827489

stop buffer

701827489 01C satin black

14 701827499B

stop buffer

16 701827512

striker plate / lower

17 N 0214011

oval head countersunk bolt / M8X18

17A 701827263

reinforcement for apron / center

cover for lock carrier

see illustration: / 863-05

(18) 701827537F

striker plate / upper

19 N 0147702

allen key head bolt / M8X15

20 701827541A

check rod - door

(20) 701827541B

check rod - door / PR-5V4

for wing doors with opening angle: / 265 degree

21 N 0141395

fillister hd. bolt / M6X12

21 N 0141405

fillister hd. bolt / M6X15

(21) N 0102935

hexagonal head bolt / M8X16

22 701827545

stop mounting

- 701827559

spacer (self-adhesive) / 50X40X26MM

(22A) 703827597

cover for mounting / left / BUS,

for models with wheelbase: / 2920MM / kombi van

703827597 01C satin black

(22A) 723827597

cover for mounting / left / BUS,

for models with wheelbase: / 3320MM / kombi van

723827597 01C satin black

22A 703827598

cover for mounting / right / BUS,

for models with wheelbase: / 2920MM / kombi van

703827598 01C satin black

(22A) 723827598

cover for mounting / right / BUS,

for models with wheelbase: / 3320MM / kombi van

723827598 01C satin black

(22B) 723827605

retaining panel / left / BUS

covering

22B 723827606

retaining panel / right / BUS

covering

22C 701867299

clip

701867299 1YX flint grey

701867299 3KX neptune blue

701867299 9UW sahara

701867299 9XK light grey

23 7D1827577A

grip molding

7D1827577A GRU primed

(23) 701827577A

cover for licence plate light

701827577A 01C satin black

24 N 90098101

oval head panel screw / B6,3X19

25 701827645

cover cap / left

701827645 01C satin black

(25) 701827646

cover cap / right

701827646 01C satin black

(25) 723827598C

covering / right

check rod - door

for vehicles with air condit.

for fresh air duct to load and passenger compartment

723827598C 01C satin black

26 701827709

gasket / center

27 701827286C

staple for padlock

28 701827286

staple for padlock

29 281843821A

covering

30 N 0140942

oval hd. csk. self-tapp. screw / ST4,2X16-C

31 721827705B

gasket

adapt with workshop equipment

32 211611849

plug / 22MM

33 323863950

sound absorber (self-adhesive) 'order unit 6' / 550X250X2

34 357868143

insert nut / 8MM

- 251971905A

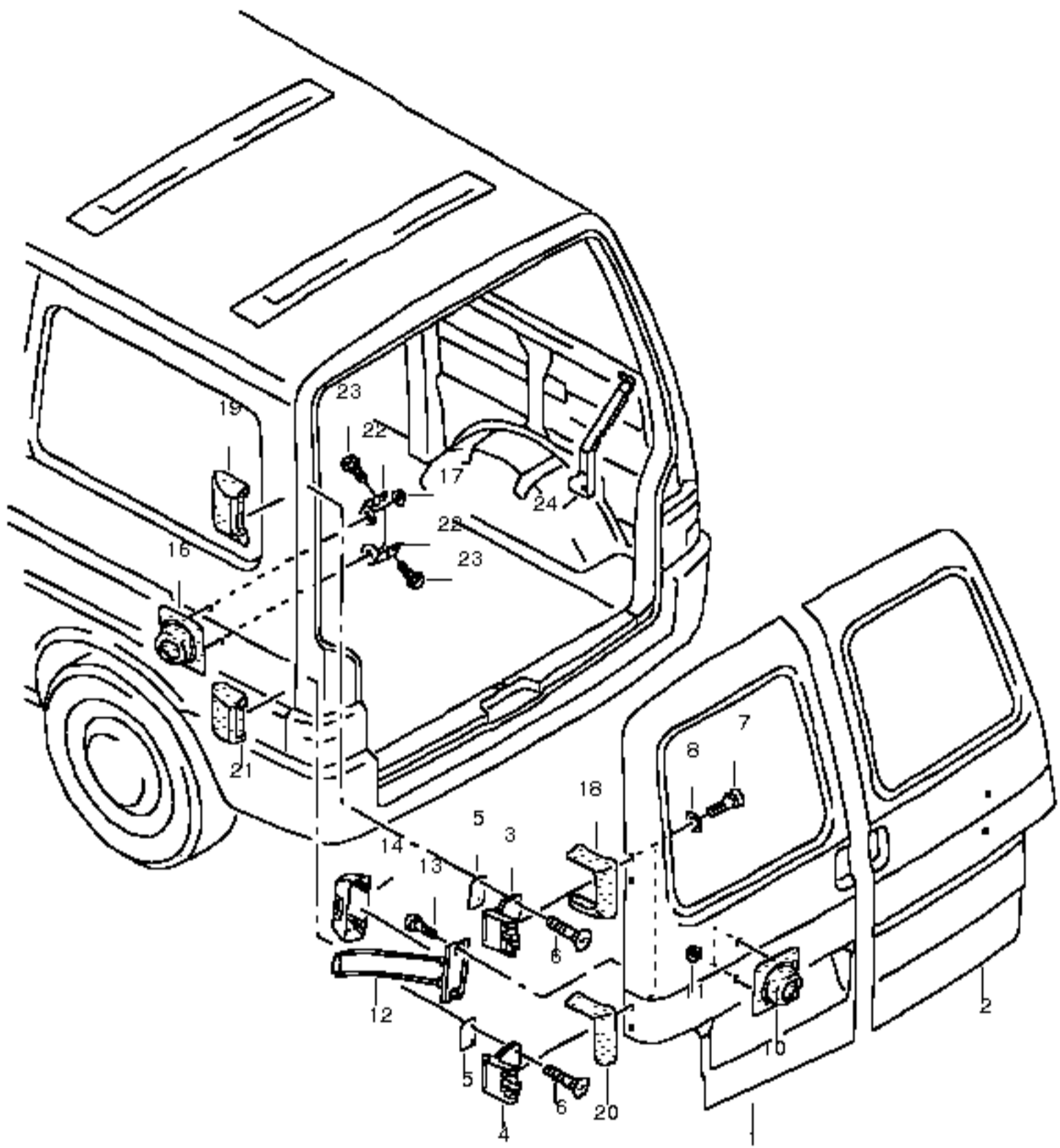
grommet / 62X38/59X35

wiring

licence plate light

wing door lock

see illustration: / 827-65



wing doors with opening angle: / PR-5V4
/ 250 degrees

1 701827103B
wing door with window opening / left

(1) 701827103C
wing door without window opening / left

(1) 721827103B
high wing door with window opening / left

(1) 721827103C
high wing door without window opening / left

2 701827104F
wing door with window opening / right

(2) 701827104G
wing door without window opening / right

(2) 721827104G
high wing door with window opening / right

(2) 721827104H
high wing door without window opening / right

3 701827151B
door hinge / left upper

(3) 701827152B
door hinge / right upper

4 701827153B
door hinge / left lower

(4) 701827154B
door hinge / right lower

5 701827157D
gasket / 210X149MM
adapt with workshop equipment

6 N 0214163
oval head countersunk bolt / M8X32

7 N 0214163
oval head countersunk bolt / M8X32

8 N 90033302
washer / B8,4X20X2,5

10 701827475
magnet
check rod - door

11 N 90175203
hexagon nut, shouldered / M6

12 701827541B
check rod - door

13 N 0141405
fillister hd. bolt / M6X15

- N 0154041
washer / 6,4
see illustration: / 827-50/827-55

16 701827625
distance piece / left

(16) 701827626
distance piece / right
for models with wheelbase: / 3320MM

(16) 701827626A
distance piece / right
for models with wheelbase: / 2920MM
for vehicles with sliding door / right

17 N 90175203
hexagon nut, shouldered / M6

- N 90483501
washer / 6,4X28X1

18 701827645A
hinge cover / left upper
701827645A 01C satin black

(18) 701827646A
hinge cover / right upper
701827646A 01C satin black

19 701827645B
hinge cover / left upper
701827645B 01C satin black

(19) 701827646B
hinge cover / right upper
701827646B 01C satin black

20 701827645C
hinge cover / left lower
701827645C 01C satin black

(20) 701827646C
hinge cover / right lower
701827646C 01C satin black

21 701827645D
hinge cover / left lower
701827645D 01C satin black

(21) 701827646D
hinge cover / right lower
701827646D 01C satin black

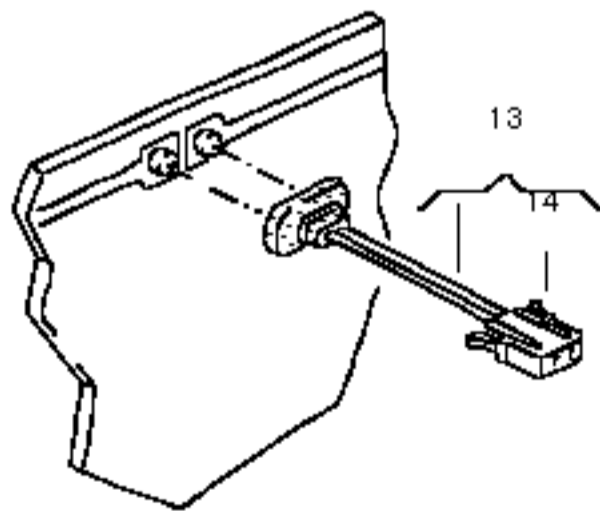
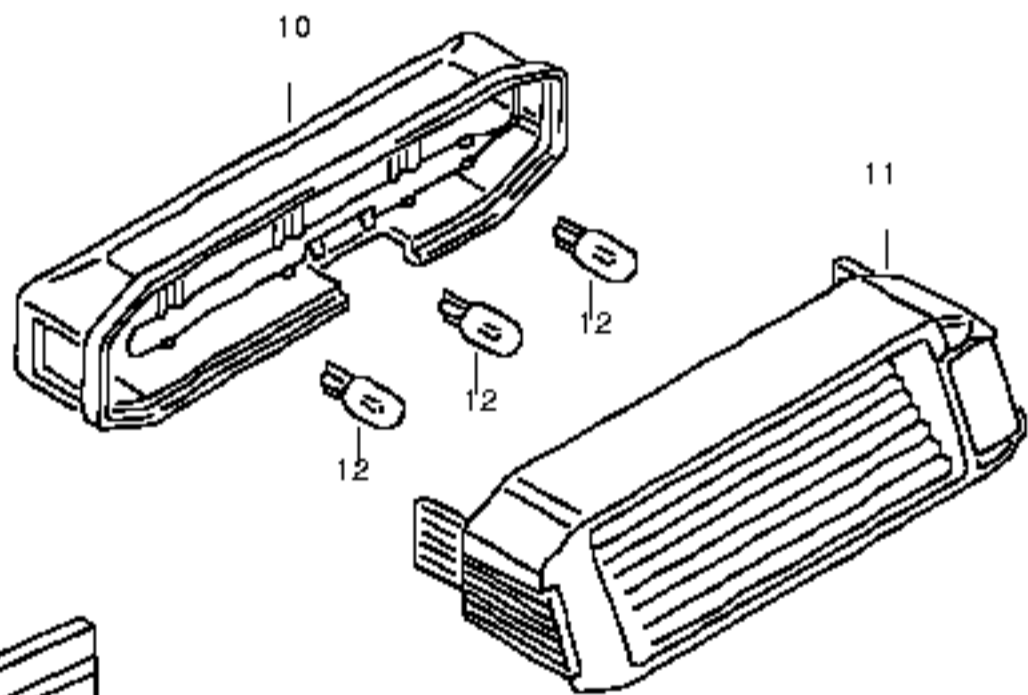
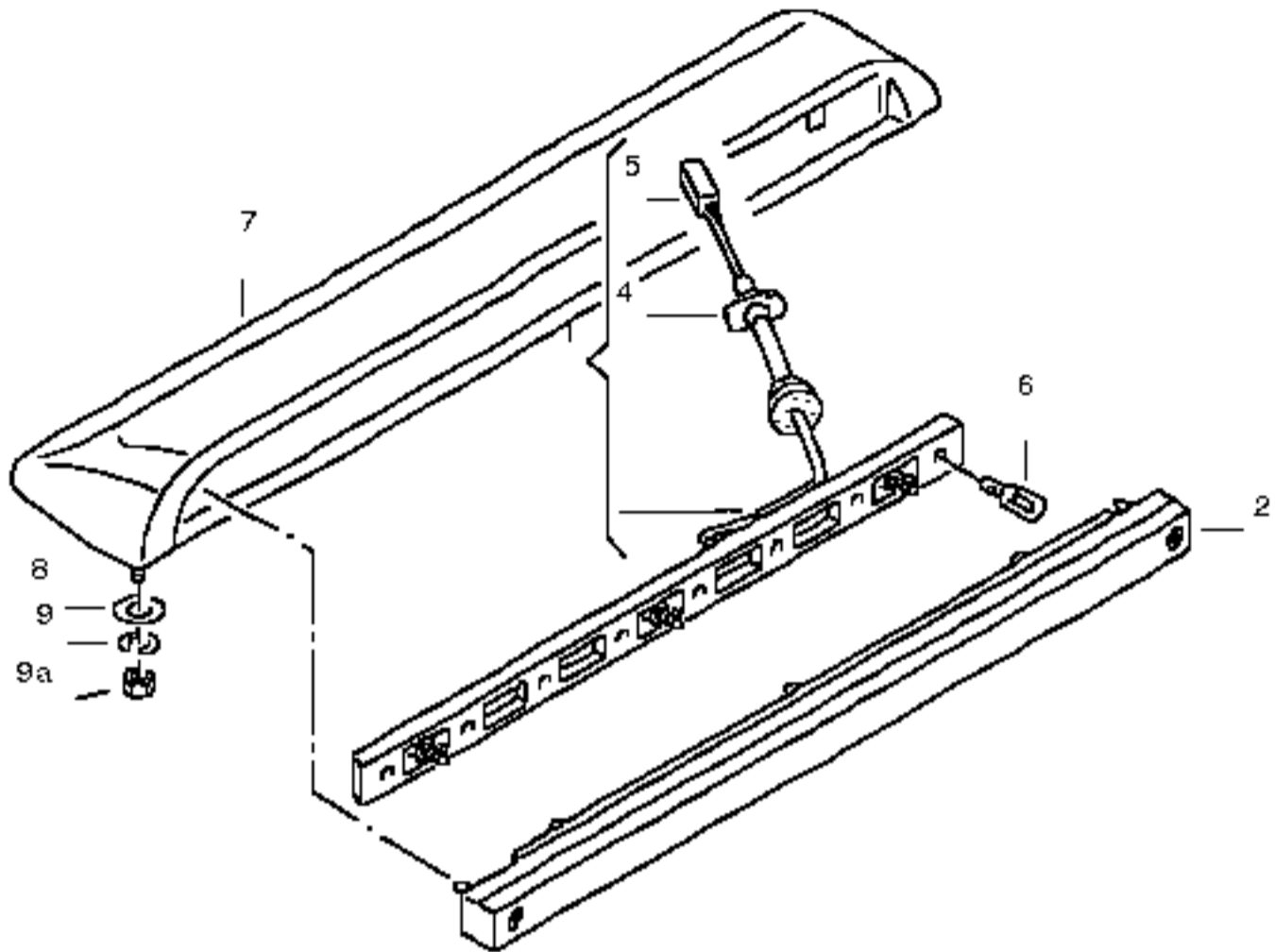
22 701827657
securing plate
for models with wheelbase: / 3320MM
for models with wheelbase: / 2920MM

(22) 701827658
securing plate
check rod - door
for models with wheelbase: / 2920MM

23 N 90533002
hexagon head bolt (combi) / M6X20

(24) 7D1827695
reinforcement for side panel / left

24 7D1827696
reinforcement for side panel / right
door lock
see illustration: / 827-65
door seal
see illustration: / 827-50/827-55



additional brake light
roof

1 1H6945121
housing with bulb holder

2 7D0945131
lens for additional brake light

4 1H6971910
grommet

5 1H0973121C
flat contact housing / 2 pin

6 N 90051002
bulb / W5/1,2-12V2,3W

7 701945213
mounting

8 803955637
sealing washer / 21/4X1,5MM

9 N 0120053
spring ring / B5

9A 171857026A
hexagon nut, shouldered / M5

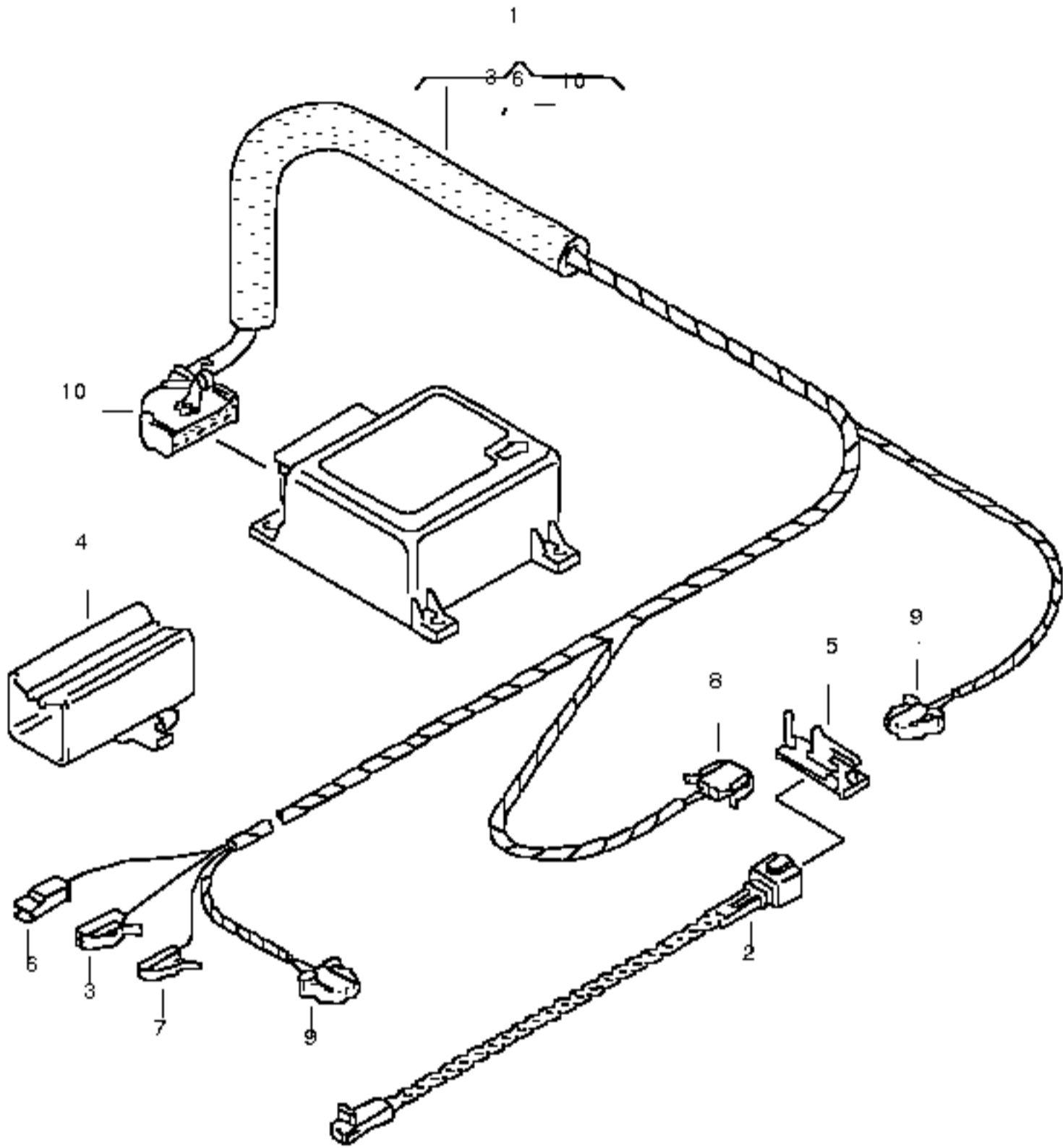
10 7D0945121
housing with bulb holder

11 7D0945122
additional brake light

12 N 0177532
bulb / W5W-12V

13 7D0971157
wiring harness adapter additional brake light

14 867906231
flat terminal pin housing / 2 pin for single wiring: / 000 979 105 / 1,0
/ 000 979 106 / 1,0



airbag wiring harness
 airbag wiring harness
 F >> 70-X-050 348*
 F >> 70-XX048 165*

(1) 7D1971581L
 airbag wiring harness / lhd

(1) 7D2971581F
 airbag wiring harness / rhd (drivers side)

(1) 7D2971581G
 airbag wiring harness / rhd (driver and passenger side)

(2) 7D1971581C
 wiring harness adapter airbag unit (passenger side)
 airbag wiring harness
 F 70-X-050 349>> 70-1-106 391*
 F 70-XX048 166>> 70-1X101 054*

(1) 7D1971581P
 airbag wiring harness / lhd

(1) 7D2971581M
 airbag wiring harness / rhd

(2) 7D1971581C
 wiring harness adapter airbag unit (passenger side)

- 7D0971584
 airbag wiring harness
 steering wheel
 for vehicles with airbag and electronic stability programme -esp-
 airbag wiring harness
 F 70-1-106 392>>
 F 70-1X101 055>>

(1) 7D1971581P
 airbag wiring harness / lhd

(1) 7D2971581M
 airbag wiring harness / rhd

(2) 7D1971581C
 wiring harness adapter
 airbag unit
 (passenger side)

- 7D0971584
 airbag wiring harness
 steering wheel
 for vehicles with airbag and electronic stability programme -esp-

- 4B0971848
 cable holder
 hole/sheet metal thickness: / 6,5 / 0,6-3

3 701906231
 flat contact housing / 1 pin
 connecting part
 junction box
 F >> 70-X-050 348*

4 701971341D
 wiring conduit

(5) 7D1971806
 cable holder

(6) 701906231
 flat contact housing / 1 pin
 connecting part
 ground connector

7 1H0972701
 flat contact housing / 1 pin
 connecting part
 diagnose connector strip
 F >> 70-X-050 348*

(7) 7D0937701KD
 flat contact housing / 1 pin
 connecting part
 diagnose connector strip
 junction box
 F 70-X-050 349>>*

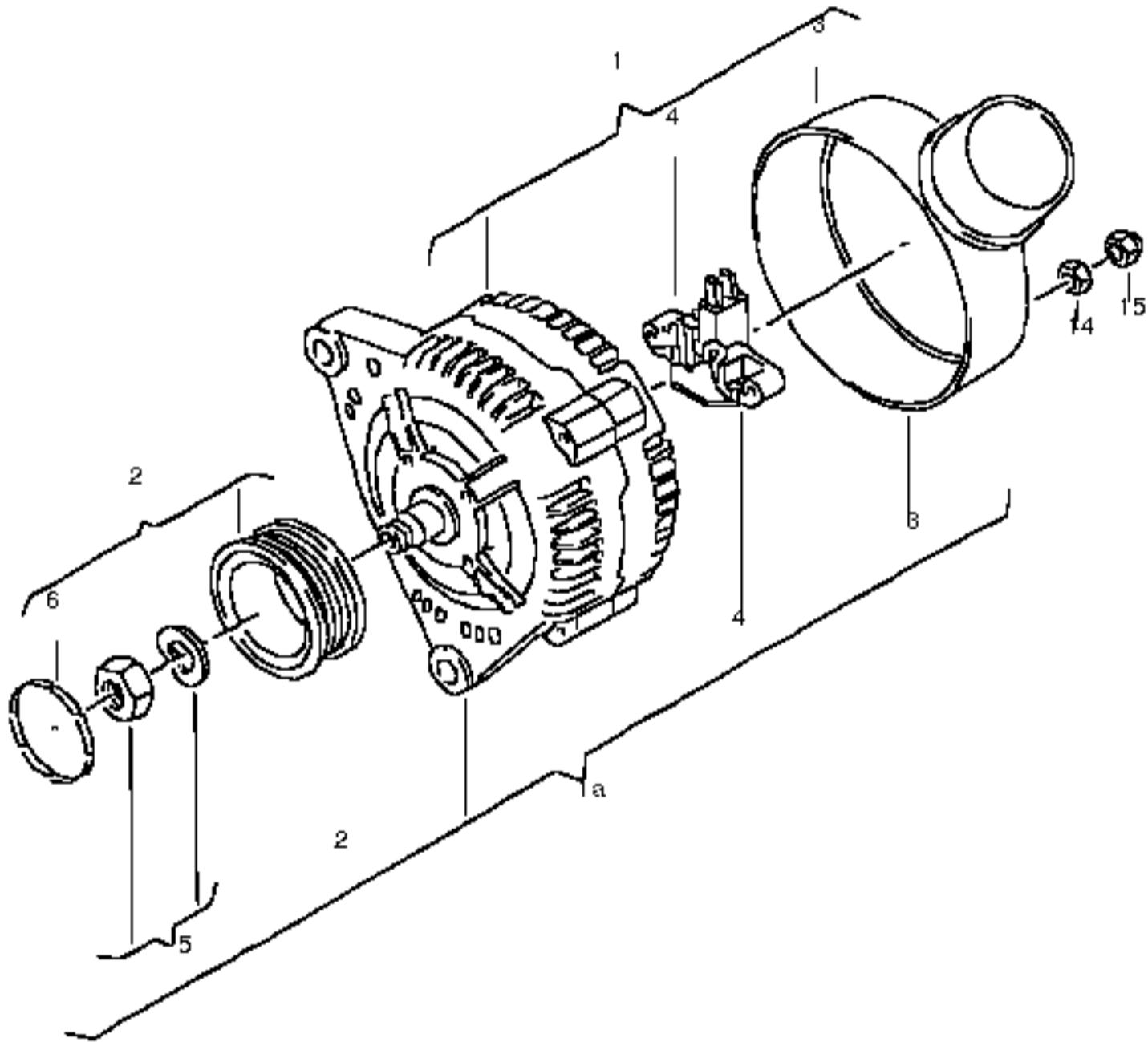
(8) 1J0972702
 flat contact housing / 2 pin
 connecting part
 dash panel insert

(9) 7D0972822
 retainer
 airbag wiring harness
 F 70-1-106 392>>*
 F 70-1X101 055>>*

9 1H0972479
 flat contact housing / 2 pin
 airbag / yellow
 (drivers side)

(9) 8D0971969
 round connector housing / 3 pin
 airbag / orange
 (passenger side)

10 4D0973373C
 flat connector housing / 50-pin
 control unit for driver and passenger airbag / yellow/blue
 for single wiring: / 000 979 010 A



alternator and single parts

alternator / 90A

1 038903018

alternator with terminal -w- / BOSCH
/ BOSCH

(1) 038903018 X

alternator with terminal -w- / BOSCH

1 074903025MX

alternator with terminal -w- / BOSCH
/ BOSCH

(1) 028903018A

alternator / BOSCH

(1) 028903018AX

alternator / BOSCH

(1) 038903018LX

alternator / BOSCH

(1) 030903023FX

alternator / VALEO

(1) 037903023GX

alternator / VALEO

(1) 028903025P

alternator / BOSCH

(1) 028903025PX

alternator / BOSCH

(1) 028903029M

alternator with terminal -w- / VALEO

(1) 028903029MX

alternator with terminal -w- / VALEO

alternator / 120A

(1) 038903018B

alternator with terminal -w- / BOSCH

(1) 038903018BX

alternator / BOSCH

(1) 028903018C

alternator / BOSCH

(1) 028903018CX

alternator / BOSCH

(1) 045903023A

alternator / BOSCH

(1) 045903023AX

alternator / BOSCH

(1) 074903025NX

alternator with terminal -w- / BOSCH

alternator / 150A

(1) 074903018

alternator / BOSCH

(1) 074903018 X

alternator / BOSCH

(1) 021903025C

alternator / BOSCH

(1) 021903025CX

alternator / BOSCH

(1) 074903025L

alternator with terminal -w- / BOSCH

(1) 074903025LX

alternator with terminal -w- / BOSCH

single parts

2 030903119C

ribbed belt pulley
for alternator: / 7,8

(2) 038903119C

ribbed belt pulley
for alternator: / 4,5A

(2) 038903119D

ribbed belt pulley
for alternator: / 10,13,14,16,17

(2) 074903119D

ribbed belt pulley
for alternator: / 19

(2) 074903119E

ribbed belt pulley with freewheel

for alternator: / 18

(2) 028903119F

ribbed belt pulley
for alternator: / 6,12,15

(2) 074903119F

ribbed belt pulley
for alternator: / 20

(2) 021903119H

ribbed belt pulley with freewheel

for alternator: / 21

(2) 028903119H

ribbed belt pulley
for alternator: / 2,3,5

(2) 028903119L

ribbed belt pulley
for alternator: / 11

(2) 028903119N

ribbed belt pulley
for alternator: / 1

(2) 028903119AA

ribbed belt pulley with freewheel

for alternator: / 9

3 030903193

protective cap
for alternator: / 1,7,156,157

(3) 028903193E

protective cap
for alternator: / 2,6,9,11,150- / 153,158

(3) 038903193E

protective cap
for alternator: / 4,5A,10,13,14, / 16,17,20

(3) 028903193H

protective cap
for alternator: / 18

(3) 028903193K

protective cap
for alternator: / 8

(3) 038903193E

protective cap
for alternator: / 154,155,200, / 201,21

(3) 028903193P

protective cap
for alternator: / 202,203,250,3, / 5,12,15,19

4 047903803

voltage regulator
for alternator: / 8

(4) 028903803D

voltage regulator
for alternator: / 2,3,5,6,9,11, / 12,15,18,19, / 150-153,158, / 202,203,250

(4) 028903803DX

voltage regulator
for alternator: / 2,3,5,6,9,11, / 12,15,18,19, / 150-153,158, / 202,203,250

(4) 038903803E

voltage regulator
for alternator: / 16,17,20,21,4, / 5A

(4) 078903803E

voltage regulator
for alternator: / 10,154, / 155,200,201, / 13,14

(4) 028903803F

voltage regulator
for alternator: / 1,7,156,157

5 028903320C

repair kit for alternator / M16X1,5

(5) 030903181

shouldered nut / M16X1,5

6 037145291

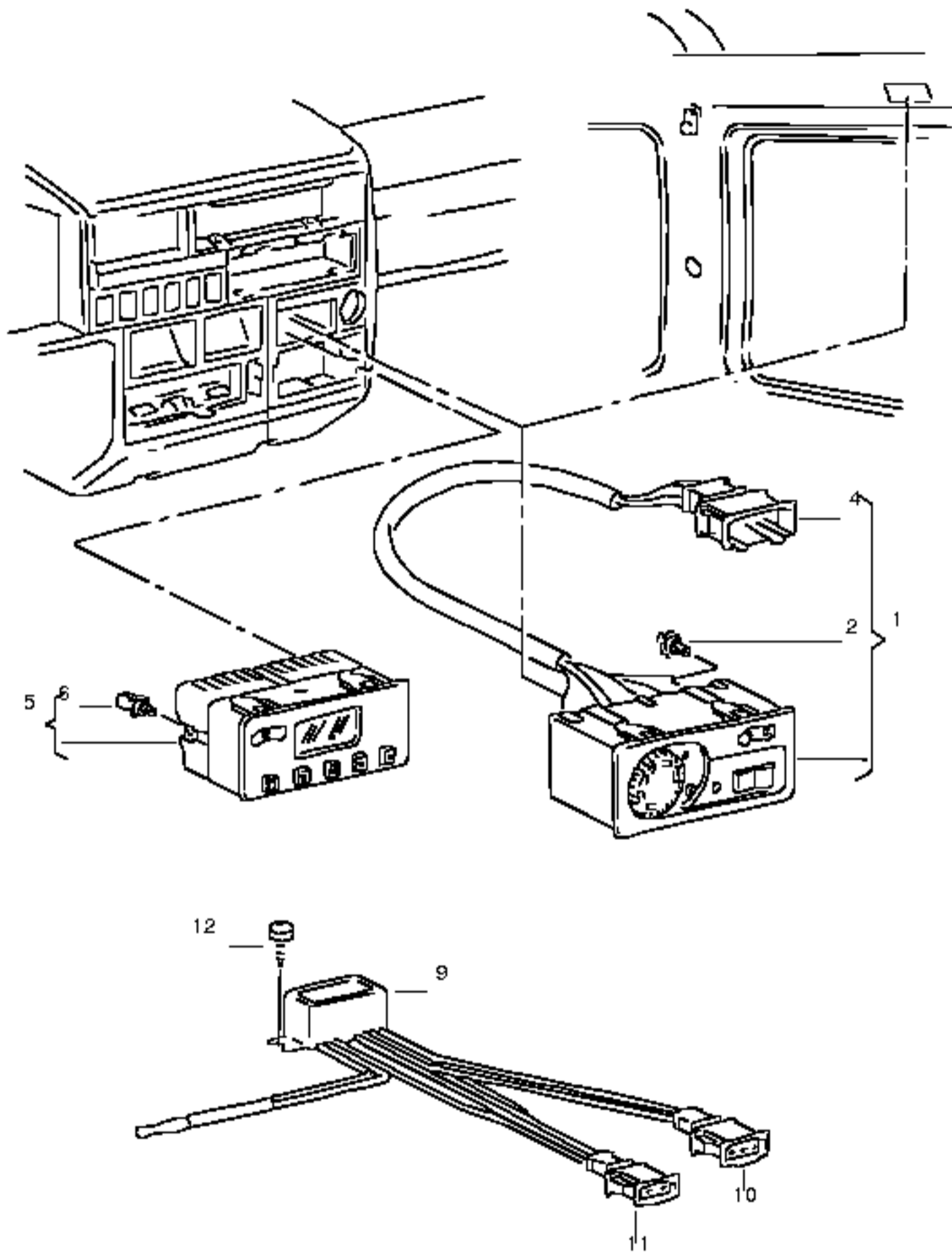
protective cap

14 N 01100840

hexagonal nut / M8
for contact: / B+

15 N 90403003

cover cap / 13X14
for contact: / B+



auxiliary heater / lhd
additional heater
thermostat
for vehicles with air condit.

(1) 7D0998261

room temperature regulator for vehicles with auxiliary heater lighting: / green

F >> 70-XH051 759

F >> 70-XX053 082 / lhd

F >> 70-XX067 239 / rhd

(1) 7D0963343

room temperature regulator for vehicles with auxiliary heater lighting: / red/blue

F 70-XH051 760>>

F 70-XX053 083>> / lhd

F 70-XX067 240>> / rhd

(1) 7D0998261A

room temperature regulator / D4W-S for models with supplementary heater / B4W-S lighting: / green

F >> 70-XH051 759 / PR-7VE

F >> 70-XX053 082 / lhd

F >> 70-XX067 239 / rhd

(1) 1J0963343

room temperature regulator / D4W-S for models with supplementary heater / B4W-S lighting: / red/blue

F 70-XH051 760>> / PR-7VE

F 70-XX053 083>> / lhd

F 70-XX067 240>> / rhd

2 701919040

bulb with black base / 12V1,2W / green

6 4A0919040C

bulb / 12V1,1W / clear glass

10 191972713

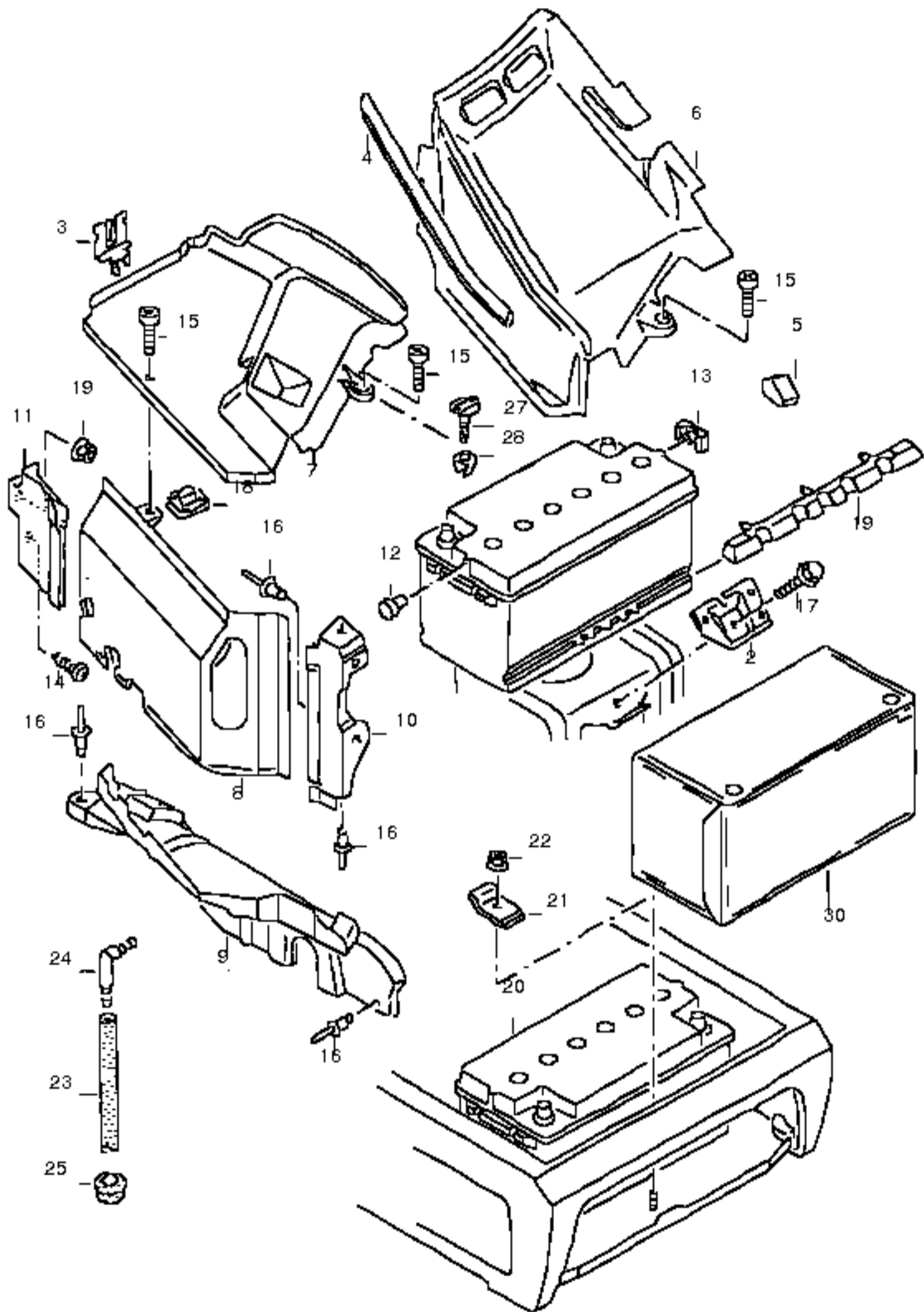
flat connector housing / 3 pin

11 191972712

flat connector housing / 2 pin

12 N 0141201

fillister hd. bolt / M4X12



battery mounting

battery

battery protection cover

battery mounting

(1) 000915105AB

battery with charge state indicator, filled and charged / 44AH/220A

(1) 000915105AC

battery with charge state indicator, filled and charged / 60AH/280A

(1) 000915105AD

battery with charge state indicator, filled and charged / 61AH/330A

F >> 70-2-015 000*

(1) 000915105AF

battery with charge state indicator, filled and charged / 72AH/380A

F >> 70-X-250 000*

(1) 000915105AE

battery with charge state indicator, filled and charged / 70AH/340A

F 70-Y-000 001>>*

(1) 000915105AG

battery with charge state indicator, filled and charged / 80AH/380A

F 70-Y-000 001>>*

(1) 000915105AH

battery with charge state indicator, filled and charged / 95AH/450A

2 7D0915313

clamping strip for battery

F >> 70-X-075 000*

(2) 7D0915303A

clamping strip for battery

F 70-X-075 001>>*

4 7M0915433B

gasket

5 701915434

sealing piece

6 701915430

battery cover / lhd / PR-AC0

(6) 7D1915430F

battery cover / lhd / PR-AC1

7 702915430

battery cover / rhd / PR-AC0

(7) 7D2915430

battery cover / rhd / PR-AC1

8 7D0915437

battery cover / upper / PR-AC0

(8) 7D0915437A

battery cover / upper / PR-AC1

9 7D0915438

battery cover / lower

/ PR-AC0

(9) 7D0915438C

battery cover / lower

10 7D0915445B

guide piece / front / PR-AC0

(10) 7D0915445

guide piece / front / PR-AC1

11 7D0915446

guide piece / rear

12 251915505

plug

F >> 70-X-200 000

(12) 000915506

plug

F 70-2-015 001>>*

13 191915505

ventilation union

14 N 0139681

oval head panel screw / ST4,8X13-C

15 N 0141405

fillister hd. bolt / M6X15

16 N 0161943

pop-rivet / A4,8X7,6

17 N 0197002

hexagon head bolt c/w shoulder / M8X30

18 N 90342503

snap nut / M6X19,5X18

19 000915413

adapter strip for battery

F 70-2-015 001>>*

battery

battery mounting

for vehicles with 2nd battery

20 191915105M

battery / 63AH/300

F >> 70-X-250 000*

(20) 000915105AC

battery with charge state indicator, filled and charged / 60AH/280A

F 70-Y-000 001>>*

- 701972567

battery cover with relay plate bracket

see illustration: / 937-70

21 701915313A

clamping strip for battery

22 N 90183802

hexagon nut, shouldered / M8

23 441915505

hose / 5X1X1760MM

24 893915507

angled piece

25 311949149B

grommet / 13/5

27 701915450

grip pin

28 N 90847501

clips

battery protection cover

F 70-Y-000 001>>

30 1J0915418

battery protection cover / 44AH/220A

(30) 1J0915418A

battery protection cover / 60AH/280A

/ 61AH/330A

(30) 1J0915418B

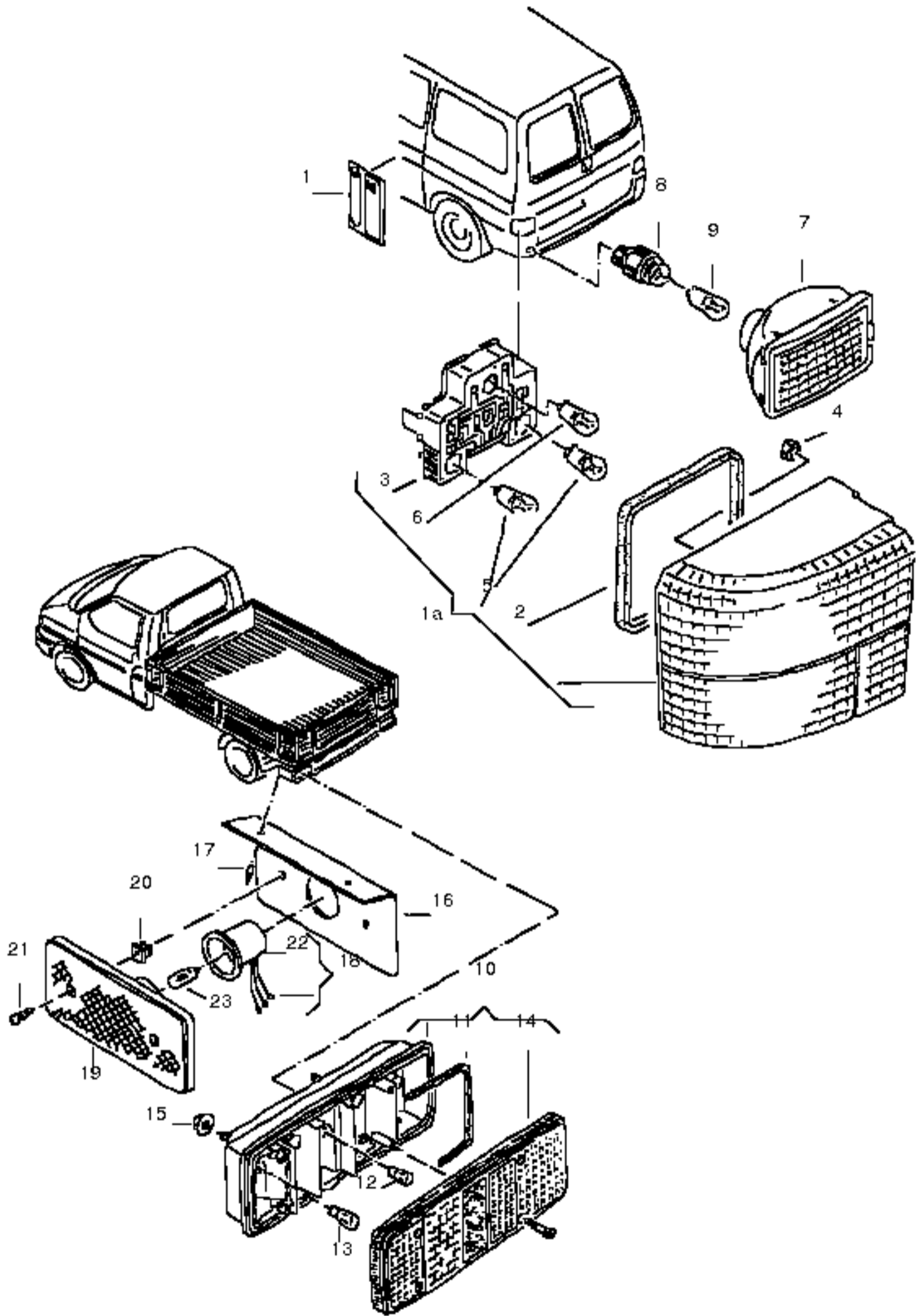
battery protection cover / 70AH/340A

(30) 1J0915418C

battery protection cover / 80AH/380A

(30) 1J0915418D

battery protection cover / 95AH/450A



brake, turn signal and taillights

rear fog light

side marker light

brake, turn signal and taillights / delivery van

/ kombi van

/ bus

1 703853047

fluorescent strip / 40X100

1A 701945095

tail light with turn signal, brake and tail light, and reflector / left

701945095 01C satin black

(1A) 701945096

tail light with turn signal, brake and tail light, and reflector / right

701945096 01C satin black

cover for tail light

see illustration: / 867-20 POS.11

2 867945191A

gasket

3 701945257

bulb holder

4 171857026A

hexagon nut, shouldered / M5

5 N 0177322

bulb / P21W12V21W

6 N 0177382

bulb / P21/5W12V21/5W

rear fog light / kombi van

/ delivery van

/ bus

7 7D0945729

rear fog light

(7) 701941779

rear light reflector

(8) 6K0953123B

socket for bulb

9 N 0177322

bulb / P21W12V21W

brake, turn signal and taillights / pick-up

/ double cab

(10) 283945095C

bulb holder / left

(10) 283945096C

bulb holder / right

11 411941123

gasket

12 N 0177192

bulb / G12V10W

13 N 0177322

bulb / P21W12V21W

14 283945223F

lens for brake, tail, turn signal, reversing lights, reflector and rear fog lamp

yellow/red/white

15 N 90908301

shouldered hex. nut, self-locking / M8

side marker light / pick-up / double cab

16 707945067

retaining panel

17 N 90576301

pop-rivet / A4X9X8X1,2

18 321945351

bulb holder with leads

19 321945361A

side marker light / red

20 N 90535301

insert nut / 4,2X11

21 N 0139622

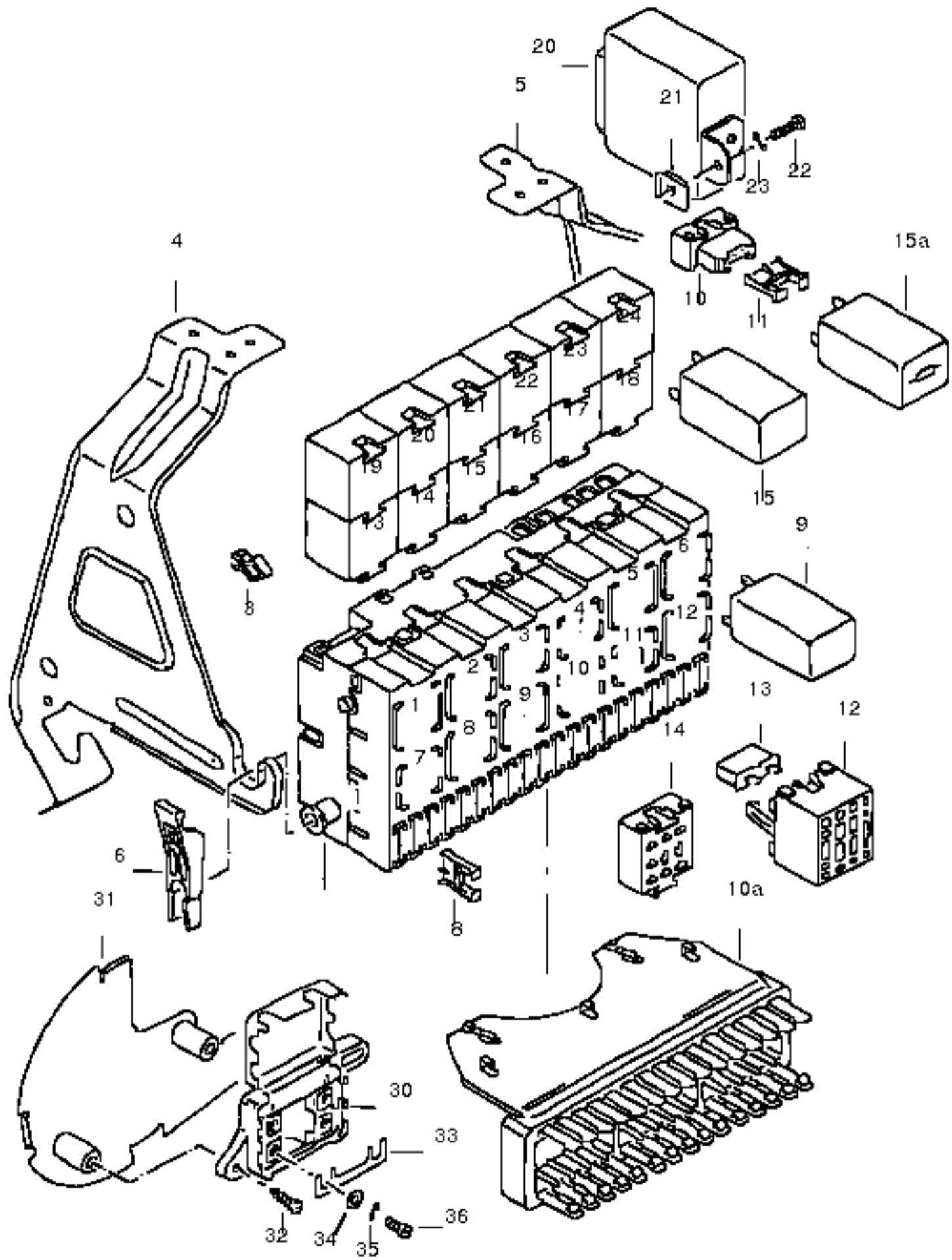
oval head panel screw / ST3,9X16-C

22 433971867

grommet

23 N 0177172

bulb / HL12V4W



central electrics
relay

fuse box

1 357937039
central electrics

2 701937541
cable connector / 3 point

3 171937579
tool for fuse replacement

no replacement part

5 7D0971825
protection plate

(6) 1H1941857
lever / left

(6) 1H1941858
lever / right

(8) 357998131A
1 set of flat fuses

(8) N 01713111
flat fuse 19/2x5 / 10-red

(8) N 01713112
flat fuse 19/2x5 / 15-light blue

(8) N 01713113
flat fuse 19/2x5 / 20-yellow

(8) N 01713114
flat fuse 19/2x5 / 25-natural.col

(8) N 01713115
flat fuse 19/2x5 / 30-light green

(8) N 01713116
flat fuse 19/2x5 / 5-light brown

(9) 701959141B
relay
for air conditioner
relay location/code no.: / 1/140

(9) 357959141
relay
for models with blower / rear
relay location/code no.: / 1/105

(9) 1H0955529
control unit for rear window wipe/wash system
relay location/code no.: / 2/174

(9) 165906381
relay / AAC,AET,APL,
electronic control unit / AUT,AEU
relay location/code no.: / 3/30

(9) 1J0906381A
relay / ACV,AJT,AYY,
electronic control unit / AYC,AUF,AHY,
relay location: / 3/109 / AXG,AXL

(9) 7M0951253A
contact close relay / 12V40A
for relief relay x contact
relay location/code no.: / 4/100
to be used for code no.: / 18

(9) 7D0971324
junction box
relay location: / 5

(9) 111953227D
turn signal/hazard light relay / 12V 4X21W
relay location/code no.: / 6/21
F >> 70-X-080 000*

(9) 431953231
turn signal/hazard light relay / 12V 6X21W
for models with towing facility
relay location/code no.: / 6/22

(9) 211953231K
turn signal/hazard light relay / 12V 8X21W
for models with roof mounted turn signal
relay location/code no.: / 6/

(9) 701955200
relay for headlight washer

relay location/code no.: / 7/95

(9) 3B0955531
control unit for adjustable wash-wipe automatic
relay location/code no.: / 8/197
to be used for code no.: / 99

(9) 1H0919433A
warning time relay
relay location/code no.: / 9/49
F >> 70-X-200 000

(9) 3A0951307
buzzer
for lighting
relay location/code no.: / 9/36
F >> 70-X-053 000*

(9) 141951253B
relay
foglight switching: parking and driving lights
relay location/code no.: / 10/53

(9) 823941817A
plug bridge
relay location: / 10
without:
halogen fog lamp
relay location: / 11
for horn

(9) 141951253B
relay
for twin tone horn
relay location/code no.: / 11/53

(9) 191906383C
contact close relay / otto engine
for fuel pump
relay location/code no.: / 12/167

(9) 191911261C
control unit for glow plug / AJA
relay location/code no.: / 12/102

(9) 357911253
control unit for glow plug / ACV,AJT,AHY,
relay location/code no.: / 12/103 / AYY,AYC,AUF,
/ AXG

(9) 357911253A
control unit for glow plug / ABL
relay location/code no.: / 12/104

10 1H0937530
fuse box for flat fuses / 2 pin

(10) 701937530
fuse box for flat fuses

to be used for: / 701 937 617

10A 701937617
fuse holder / 15-pin

12 191937501
bracket for thermo switch

13 443937105
thermal fuse / 20A

(13) 443937105A
thermal fuse / 30A

14 161937501B
relay plate / 9 pin
/ 2,8/6,5

(14) 867937501
relay plate / 9 pin
/ 2,8/6,5/9,5

15 141951253B
relay / AES
water pump
relay location/code no.: / 13/53

(15) 701906123
control unit for diesel engine / 'EGR' / ABL
relay location/code no.: / 13-14/137

(15) 141951253B
relay
auxiliary heater
air condit.
relay location/code no.: / 14/53

(15) 1H0959142
relay
for air conditioner
relay location/code no.: / 15-16/147

(15) 3A0972559
diagnose connector strip
relay location: / 15+16

(15) 141951253B
relay
relay location/code no.: / 16/53

(15) 191927841
relay / 12V40A / ambulance
fan motor

(15) 111953227D
turn signal/hazard light relay / 12V 4X21W
for headlamps

15A 7D0959263C
series resistor
for alternator: / 150AH
F >> 70-1-200 000 / ACV,AYC,AUF

16 3A0937517
junction box / 8-pin
relay location: / 21,22,23A,29B

(16) 357937517
junction box / 4 point
relay location: / 24-30

(16) 7D0937517
junction box
relay location: / 13-24

emergency siren system relay / police
for high volume horn / fire brigade
/ ambulance

20 191951273
emergency siren system relay
for high volume horn

21 N 90356203
snap nut / M5X17X17

22 N 0141335
fillister hd. bolt / M5X12

23 N 0122224
spring washer / A5X10X0,5

fuse box / diesel eng.

30 281937505A
fuse box without fuses

31 701937509
retainer
fuse box

32 433862195
screw / 4,2X16

33 N 0171253
fuse / B80

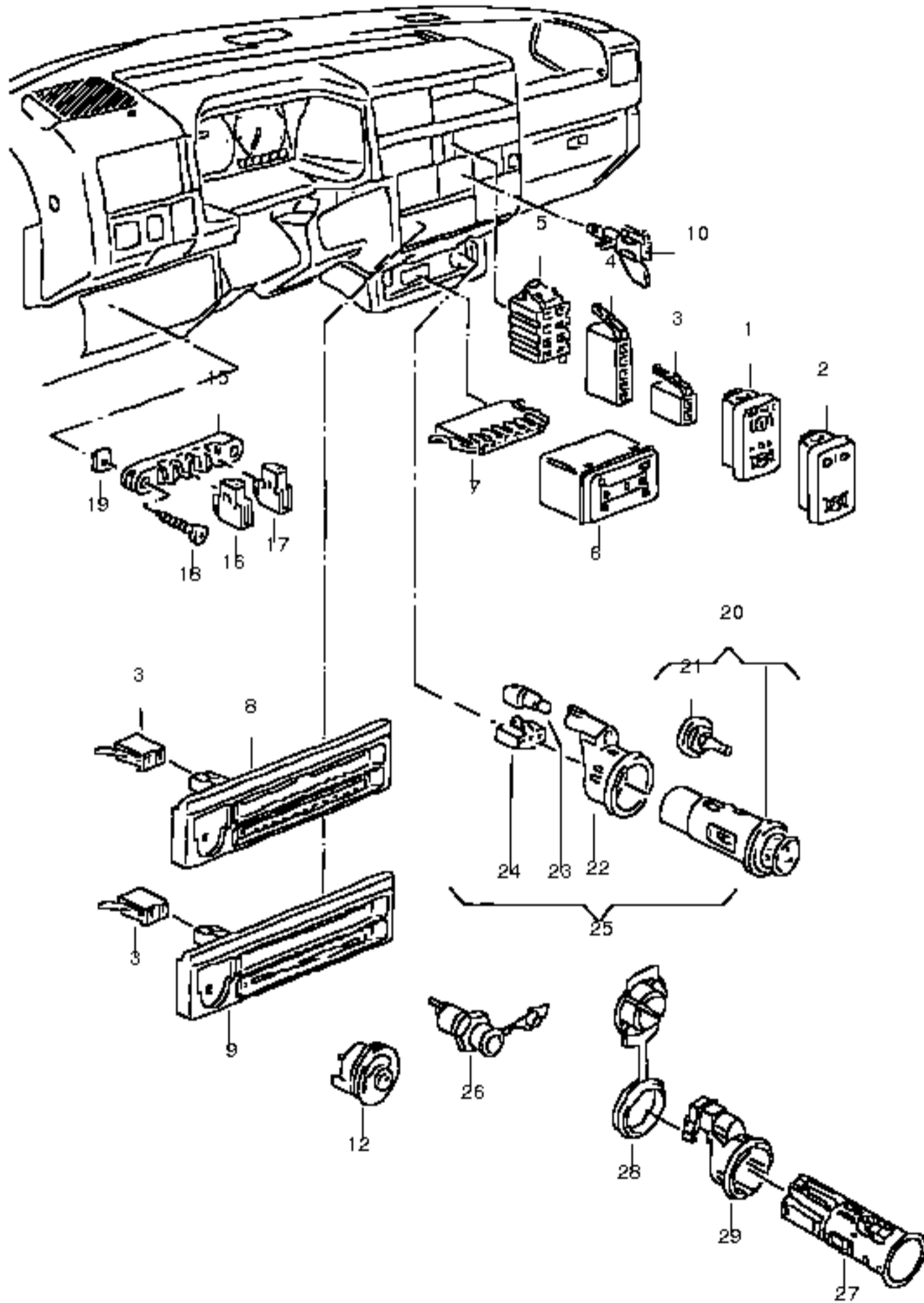
34 N 0115562
washer / 5,3X9,5X1

35 N 0120053
spring ring / B5

36 N 01412811
fillister hd. bolt / M5X8

control unit for heated seat

(40) 1E0919533
control unit for heated seat



cigarette lighter
 electric socket
 warning lights
 for vehicles with tachograph

air filter servicing indicator
 F 70-XH051 760>>
 F 70-XX053 083>> / lhd
 F 70-XX067 240>> / rhd

(1) 3A0919235C
 warning lamp for trailer operation
 3A0919235C 01C satin black

(1) 7D0919235AH
 warning lamp for airbag with/without trailer hitch

(1) 7D0919235L
 warning lamp for anti-lock brake system (abs) with/ without trailer towing
 7D0919235L 01C satin black

(1) 7D0919235AC
 warning lamp for airbag and anti-lock brake system (abs)
 with/without trailer towing

(2) 7D0919271
 gear indicator / automatic for vehicles with tachograph

(3) 1J0972702
 flat contact housing / 2 pin

(4) 535972706
 flat contact housing / 6 pin

6 701919621A
 warning lamp for differential lock / 6 pin
 lighting: / red
 701919621A 01C satin black

(12) 701919301B
 air cleaner service indicator / 5-,6-cyl.
 701919301B 01C satin black

(12) 701919301C
 air cleaner service indicator / 4 cylinder
 701919301C 01C satin black

(20) 1J0919307
 cigarette lighter / SCHOELLER
 use if required: / 1J0 919 309
 1J0919307 9B9 satin black

(20) 1J0919309
 electric socket / SCHOELLER
 use if required: / 1J0 919 307
 / (9B9)

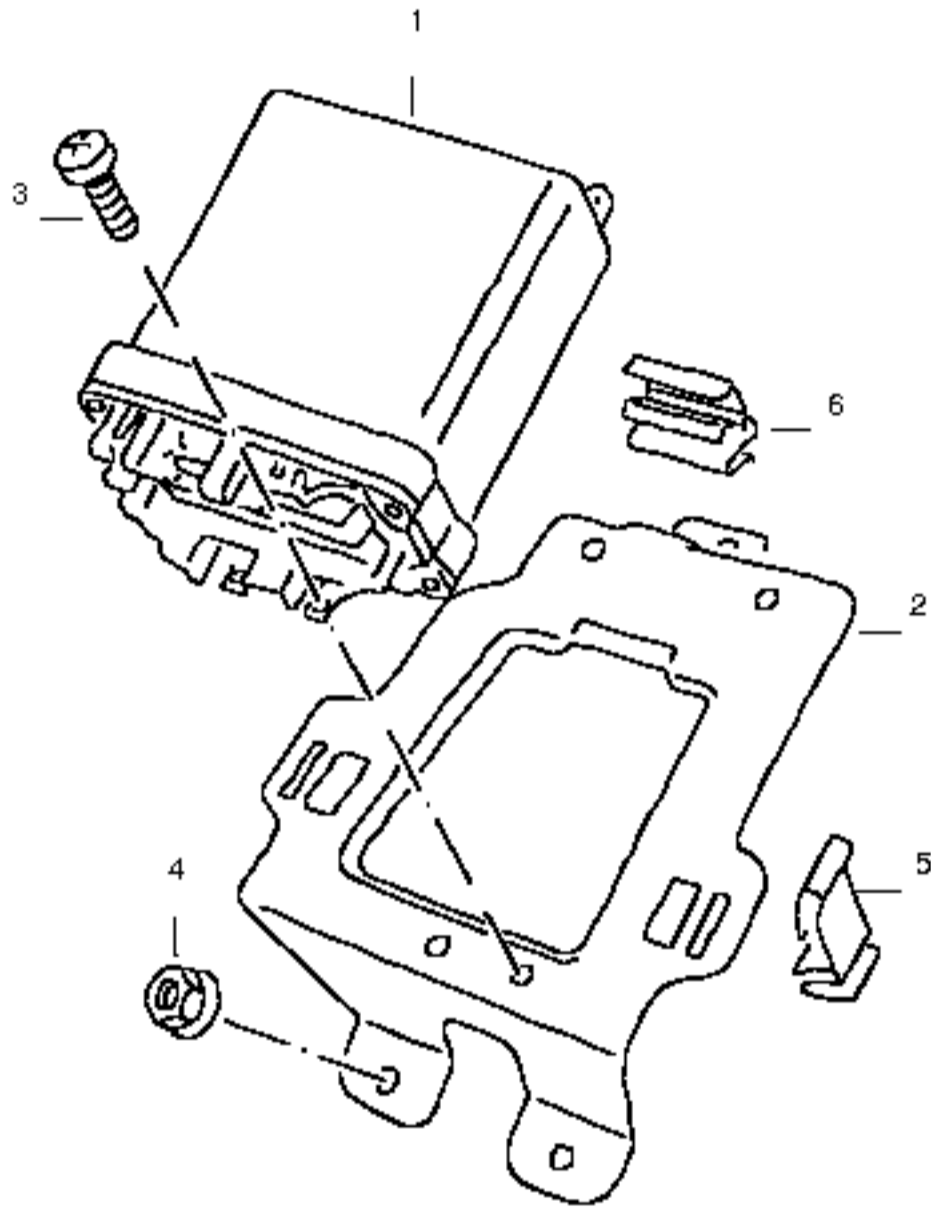
(22) 6K0919341
 spring sleeve / SCHOELLER
 / red

24 191919321
 flat contact housing / 3 pin

26 3B0925071
 electric socket / rear
 footwell vent

(26) 701925071
 electric socket / left
 (drivers side)

27 1J0919309
 electric socket / SCHOELLER
 (passenger compartment)



control unit for 4-speed automatic gearbox

(1) 01P927733AK

control unit for 4-speed automatic gearbox
F >> 70-X-250 000 / ACV

(1) 01P927733CP

control unit for 4-speed automatic gearbox
F 70-Y-000 001>> / ACV,AUF,AYC

(1) 01P927733CL

control unit for 4-speed automatic gearbox / "D..": / police: / BADEN-WTTB. / ACV

(1) 01P927733BD

control unit for 4-speed automatic gearbox / AES: / PR-0ZN

(1) 01P927733BE

control unit for 4-speed automatic gearbox / AES: / PR-0ZP

(1) 01P927733BK

control unit for 4-speed automatic gearbox / AET,AEU: / PR-0ZP

(1) 01P927733BJ

control unit for 4-speed automatic gearbox / AET,AEU: / PR-0ZN

(1) 01P927733BG

control unit for 4-speed automatic gearbox / AJA: / PR-0ZN

(1) 01P927733BH

control unit for 4-speed automatic gearbox / AJA: / PR-0ZP

(1) 01P927733BM

control unit for 4-speed automatic gearbox
F 70-Y-000 001>> 70-Y-090 000* / APL: / PR-0ZN

(1) 01P927733CJ

control unit for 4-speed automatic gearbox
F 70-Y-090 001>> / APL,AVT: / PR-0ZN

(1) 01P927733BN

control unit for 4-speed automatic gearbox
F 70-Y-000 001>> 70-Y-090 000* / APL: / PR-0ZP

(1) 01P927733CK

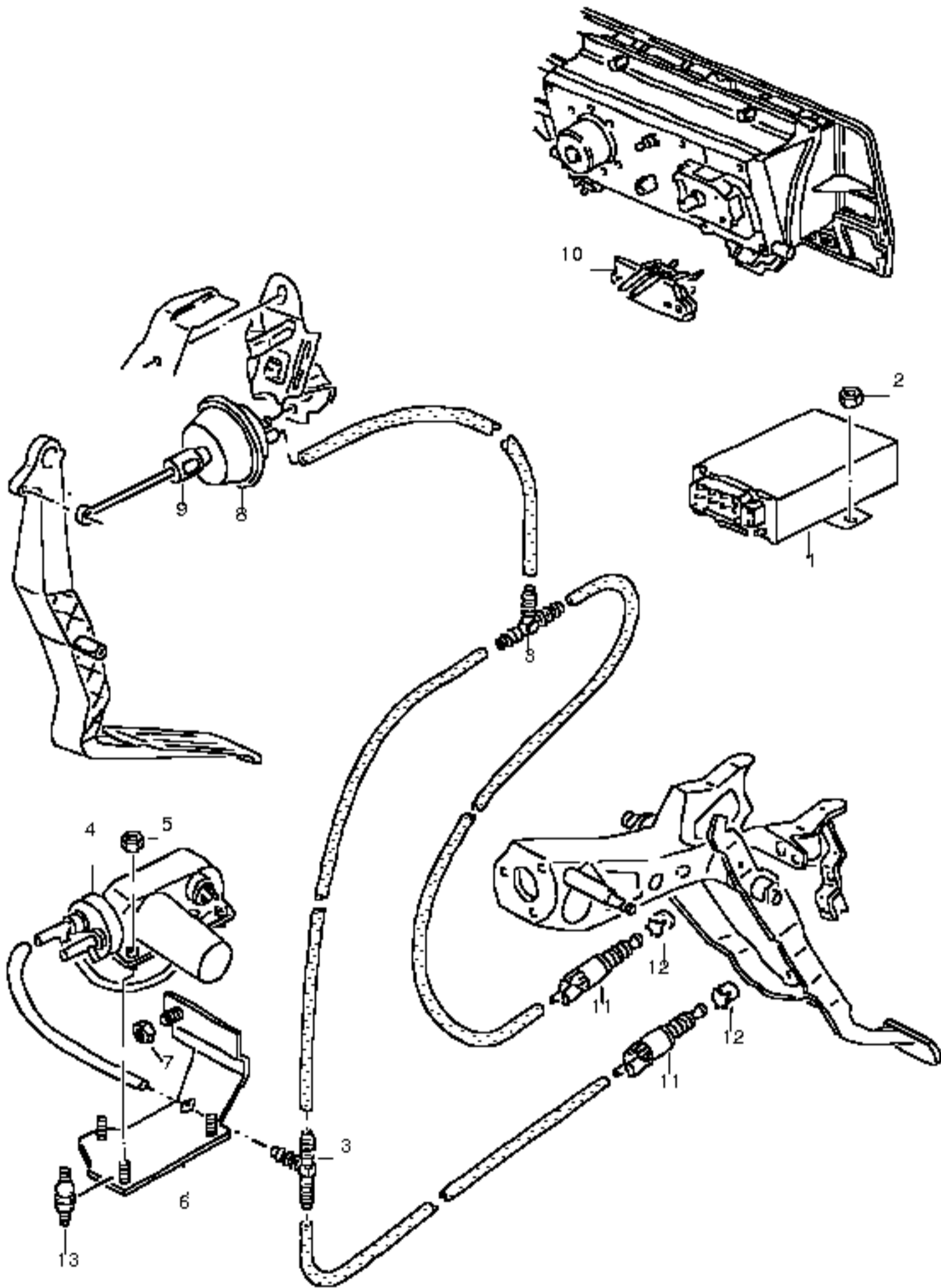
control unit for 4-speed automatic gearbox
F 70-Y-090 001>> / APL,AVT: / PR-0ZP

(1) 01P927733BT

control unit for 4-speed automatic gearbox
F >> 70-1-200 000 / AMV

(1) 01P927733CM

control unit for 4-speed automatic gearbox
F 70-2-000 001>> / AMV



cruise control system

(1) 1H0907305

speed regulator

F >> 70-X-200 000

(1) 4B0907305

control unit for cruise control system

F 70-Y-000 001>>

2 171201969

hexagon nut, shouldered / 5

3 811907428

t-piece / 6/6/6

(4) 701907325A

vacuum pump

5 N 01100517

hexagonal nut / M5

6 701907341C

retainer vacuum pump

7 N 0110088

hexagonal nut / M8

8 165907327

throttle control element

9 535907519

hexagonal nut

11 811907343B

ventilation valve / manual gearbox / automatic

12 431721283B

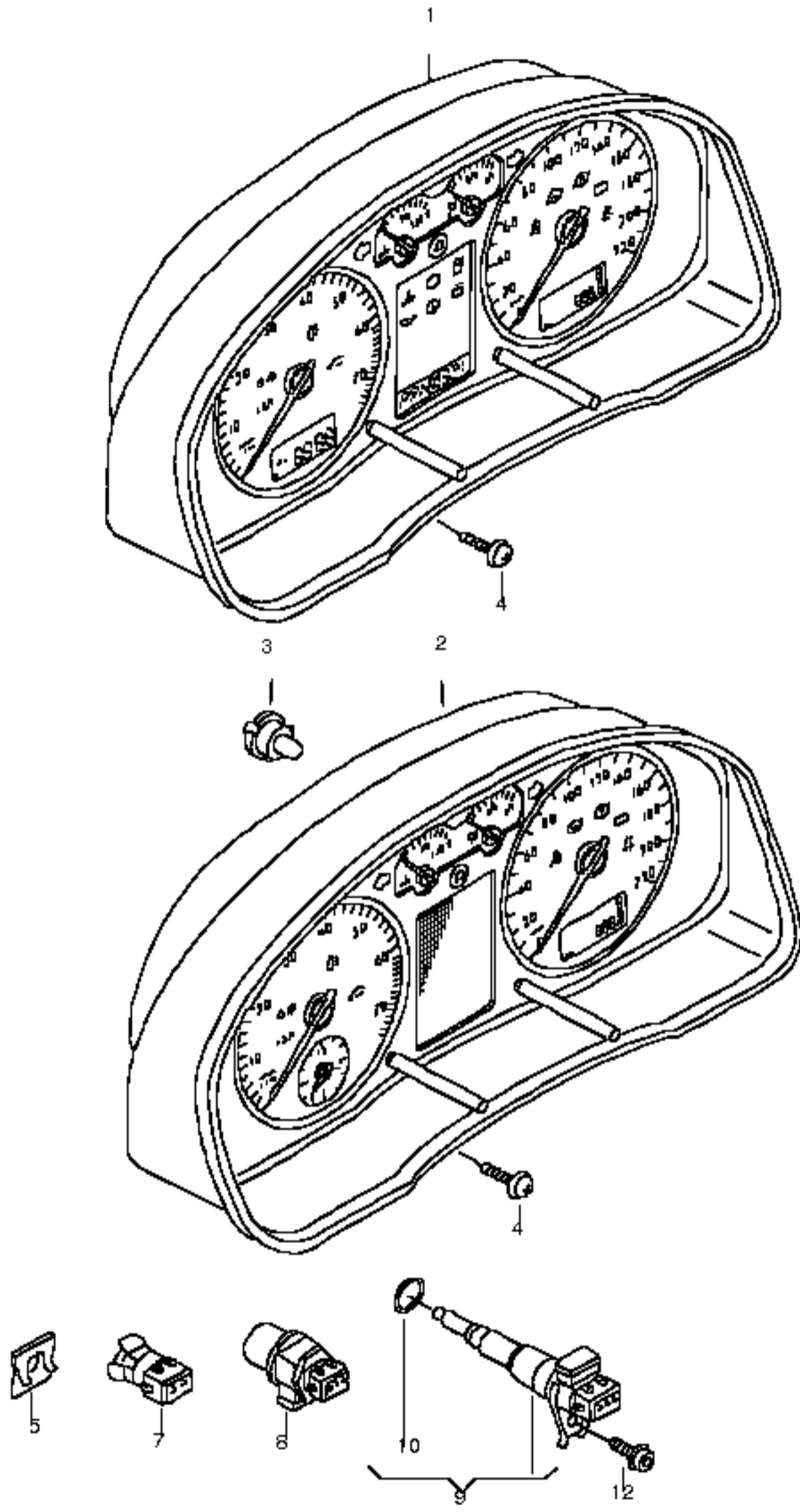
clip / 13 / manual gearbox / automatic

13 1H0907349

damper

- N 0180463

hose in coils of 5m 'order unit 5' / 5X2,5



dash panel insert
 distance sensor
 F 70-1-000 001>> 70-1-200 000
 combi-instrument with revolution counter
 F 70-1-000 001>> 70-1-200 000 / "E.."

(1) 7D0920805
 dash panel insert / 260KM/H / 6 cylinder
 7D0920805 01C satin black

(1) 7D0920801
 dash panel insert / 220KM/H / otto engine
 7D0920801 01C satin black

(1) 7D0920801A
 dash panel insert / 220KM/H / otto engine: / automatic
 7D0920801A 01C satin black

(1) 7D0920801C
 dash panel insert / 220KM/H / automatic: / AUF,ACV
 7D0920801C 01C satin black

(1) 7D0920801D
 dash panel insert / 220KM/H / AHY,AXG
 7D0920801D 01C satin black

(1) 7D0920801J
 dash panel insert / 220KM/H / automatic: / AJA
 7D0920801J 01C satin black

combi-instrument with revolution counter
 for vehicles with electronic stabilisation program -esp-
 F 70-1-000 001>> 70-1-200 000

(1) 7D0920805BX
 dash panel insert / 220KM/H / AJT,AUF,ACV,
 for vehicles with tachograph / AYC
 7D0920805BX01C satin black

(1) 7D0920805CX
 dash panel insert / 220KM/H / automatic:
 for vehicles with tachograph / AUF,ACV
 7D0920805CX01C satin black

(1) 7D0920805 X
 dash panel insert / 260KM/H / 6 cylinder
 7D0920805 X01C satin black

(1) 7D0920801 X
 dash panel insert / 220KM/H / otto engine
 7D0920801 X01C satin black

(1) 7D0920801AX
 dash panel insert / 220KM/H / otto engine: / automatic
 7D0920801AX01C satin black

(1) 7D0920802EX
 dash panel insert / 200KM/H / AJT,ACV,AUF, / AYC
 7D0920802EX01C satin black

(1) 7D0920801CX
 dash panel insert / 220KM/H / automatic: / AUF,ACV
 7D0920801CX01C satin black

(1) 7D0920801DX
 dash panel insert / 220KM/H / AHY,AXG
 7D0920801DX01C satin black

(1) 7D0920801HX
 dash panel insert / 220KM/H / ABL,AJA
 7D0920801HX01C satin black

(1) 7D0920905 X
 dash panel insert / 160MPH / 6 cylinder
 7D0920905 X01C satin black

(1) 7D0920901 X
 dash panel insert / 140MPH / otto engine
 7D0920901 X01C satin black

(1) 7D0920901AX
 dash panel insert / 140MPH / otto engine: / automatic
 7D0920901AX01C satin black

(1) 7D0920902EX
 dash panel insert / 140MPH / AJT,AUF,ACV, / AYC
 7D0920902EX01C satin black

(1) 7D0920901CX
 dash panel insert / 140MPH / automatic: / AUF,ACV
 7D0920901CX01C satin black

(1) 7D0920901DX
 dash panel insert / 140MPH / AHY,AXG
 7D0920901DX01C satin black

(1) 7D0920901GX
 dash panel insert / 140MPH / ABL,AJA
 7D0920901GX01C satin black

combi-instrument with revolution counter
 for vehicles without electro- nic stabilisation program
 F 70-1-000 001>> 70-1-200 000

(1) 7D0920805DX
 dash panel insert / 220KM/H / AJT,AUF,ACV,
 for vehicles with tachograph / AYC
 7D0920805DX01C satin black

(1) 7D0920805EX
 dash panel insert / 220KM/H / automatic:
 for vehicles with tachograph / AUF,ACV
 7D0920805EX01C satin black

(1) 7D0920802NX
 dash panel insert / 220KM/H / otto engine
 7D0920802NX01C satin black

(1) 7D0920803AX
 dash panel insert / 220KM/H / otto engine: / automatic
 7D0920803AX01C satin black

(1) 7D0920803BX
 dash panel insert / 220KM/H / AJT,AUF,ACV, / AYC
 7D0920803BX01C satin black

(1) 7D0920803CX
 dash panel insert / 220KM/H / automatic: / AUF,ACV
 7D0920803CX01C satin black

(1) 7D0920803DX
 dash panel insert / 220KM/H / AHY,AXG
 7D0920803DX01C satin black

(1) 7D0920801HX
 dash panel insert / 220KM/H / ABL,AJA
 7D0920801HX01C satin black

(1) 7D0920903 X
 dash panel insert / 140MPH / otto engine
 7D0920903 X01C satin black

(1) 7D0920903AX
 dash panel insert / 140MPH / otto engine: / automatic
 7D0920903AX01C satin black

(1) 7D0920903BX
 dash panel insert / 140MPH / AJT,ACV,AUF, / AYC
 7D0920903BX01C satin black

(1) 7D0920903CX
 dash panel insert / 140MPH / automatic: / AUF,ACV
 7D0920903CX01C satin black

(1) 7D0920903DX
 dash panel insert / 140MPH / AHY,AXG
 7D0920903DX01C satin black

dash panel insert
 for multi-function indicator
 F 70-1-000 001>> 70-1-200 000 / "E.."

(1) 7D0920825
 dash panel insert / 260KM/H / 6 cylinder
 7D0920825 01C satin black

(1) 7D0920821
 dash panel insert / 220KM/H / otto engine
 7D0920821 01C satin black

(1) 7D0920821F
 dash panel insert / 220KM/H / otto engine: / automatic
 7D0920821F 01C satin black

(1) 7D0920821B
 dash panel insert / 220KM/H / AJT,AUF,AYC, / ACV
 7D0920821B 01C satin black

(1) 7D0920821D
 dash panel insert / 220KM/H / AHY,AXG
 7D0920821D 01C satin black

dash panel insert
 for multi-function indicator
 for vehicles with electronic stabilisation program -esp-
 F 70-1-000 001>> 70-1-200 000

(1) 7D0920825AX
 dash panel insert / 220KM/H / AUF,AJT,AYC,
 for vehicles with tachograph / ACV
 7D0920825AX01C satin black

(1) 7D0920825 X
 dash panel insert / 260KM/H / 6 cylinder
 7D0920825 X01C satin black

(1) 7D0920821 X
 dash panel insert / 220KM/H / otto engine
 7D0920821 X01C satin black

(1) 7D0920821FX
 dash panel insert / 220KM/H / otto engine: / automatic
 7D0920821FX01C satin black

(1) 7D0920822CX
 dash panel insert / 220KM/H / AJT,AUF,ACV, / AYC
 7D0920822CX01C satin black

(1) 7D0920821DX
 dash panel insert / 220KM/H / AHY,AXG
 7D0920821DX01C satin black

(1) 7D0920925 X
 dash panel insert / 160MPH / 6 cylinder
 7D0920925 X01C satin black

(1) 7D0920921 X
 dash panel insert / 140MPH / otto engine
 7D0920921 X01C satin black

(1) 7D0920921FX
 dash panel insert / 140MPH / otto engine: / automatic
 7D0920921FX01C satin black

(1) 7D0920921BX
 dash panel insert / 140MPH / AJT,AUF,AYC, / ACV
 7D0920921BX01C satin black

(1) 7D0920921DX
 dash panel insert / 140MPH / AHY,AXG
 7D0920921DX01C satin black

dash panel insert
 for multi-function indicator
 for vehicles without electro- nic stabilisation program
 F 70-1-000 001>> 70-1-200 000

(1) 7D0920825BX
 dash panel insert / 220KM/H / AUF,AJT,AYC,
 for vehicles with tachograph / ACV
 7D0920825BX01C satin black

(1) 7D0920823 X
 dash panel insert / 220KM/H / otto engine
 7D0920823 X01C satin black

(1) 7D0920823AX
 dash panel insert / 220KM/H / otto engine: / automatic
 7D0920823AX01C satin black

(1) 7D0920823BX
 dash panel insert / 220KM/H / AJT,AUF,AYC, / ACV
 7D0920823BX01C satin black

(1) 7D0920823CX
 dash panel insert / 220KM/H / AHY,AXG
 7D0920823CX01C satin black

(1) 7D0920922GX
 dash panel insert / 140MPH / otto engine
 7D0920922GX01C satin black

(1) 7D0920923AX
 dash panel insert / 140MPH / otto engine: / automatic
 7D0920923AX01C satin black

(1) 7D0920923BX
 dash panel insert / 140MPH / AJT,AUF,AYC, / ACV
 7D0920923BX01C satin black

(1) 7D0920922KX
 dash panel insert / 140MPH / AHY,AXG
 7D0920922KX01C satin black

dash panel insert
 for vehicles with navigation system
 F 70-1-000 001>> 70-1-200 000 / "E.."

(1) 7D0920845
 dash panel insert / 260KM/H / 6 cylinder
 7D0920845 01C satin black

(1) 7D0920841
 dash panel insert / 220KM/H / otto engine
 7D0920841 01C satin black

(1) 7D0920841A
 dash panel insert / 220KM/H / AJT,AU,AYC, / ACV
 7D0920841A 01C satin black

(1) 7D0920841B
 dash panel insert / 220KM/H / AHY,AXG
 7D0920841B 01C satin black

(1) 7D0920841D
 dash panel insert / 220KM/H / ABL,AJA
 7D0920841D 01C satin black

dash panel insert
 for vehicles with navigation system
 for vehicles with electronic stabilisation program -esp-
 F 70-1-000 001>> 70-1-200 000

(1) 7D0920845AX
 dash panel insert / 220KM/H / AUF,AJT,AYC,
 for vehicles with tachograph / ACV
 7D0920845AX01C satin black

(1) 7D0920845 X
 dash panel insert / 260KM/H / 6 cylinder
 7D0920845 X01C satin black

(1) 7D0920841 X
 dash panel insert / 220KM/H / otto engine
 7D0920841 X01C satin black

(1) 7D0920841AX
 dash panel insert / 220KM/H / AJT,AUF,AYC, / ACV
 7D0920841AX01C satin black

(1) 7D0920842DX
 dash panel insert / 220KM/H / AHY,AXG
 7D0920842DX01C satin black

(1) 7D0920841DX
 dash panel insert / 220KM/H / ABL,AJA
 7D0920841DX01C satin black

dash panel insert
 for vehicles with navigation system
 for vehicles without electronic stabilization program
 F 70-1-000 001>> 70-1-200 000

(1) 7D0920845BX
 dash panel insert / 220KM/H / AUF,AJT,AYC,
 for vehicles with tachograph / ACV
 7D0920845BX01C satin black

(1) 7D0920843 X
 dash panel insert / 220KM/H / otto engine
 7D0920843 X01C satin black

(1) 7D0920843AX
 dash panel insert / 220KM/H / AJT,AUF,AYC, / ACV
 7D0920843AX01C satin black

(1) 7D0920843BX
 dash panel insert / 220KM/H / AHY,AXG
 7D0920843BX01C satin black

single parts
 F 70-1-000 001>> 70-1-200 000

3 893919040A
 bulb / 12V2W
 for dashboard lighting

4 N 90709101
 oval head panel screw / 4,2X16

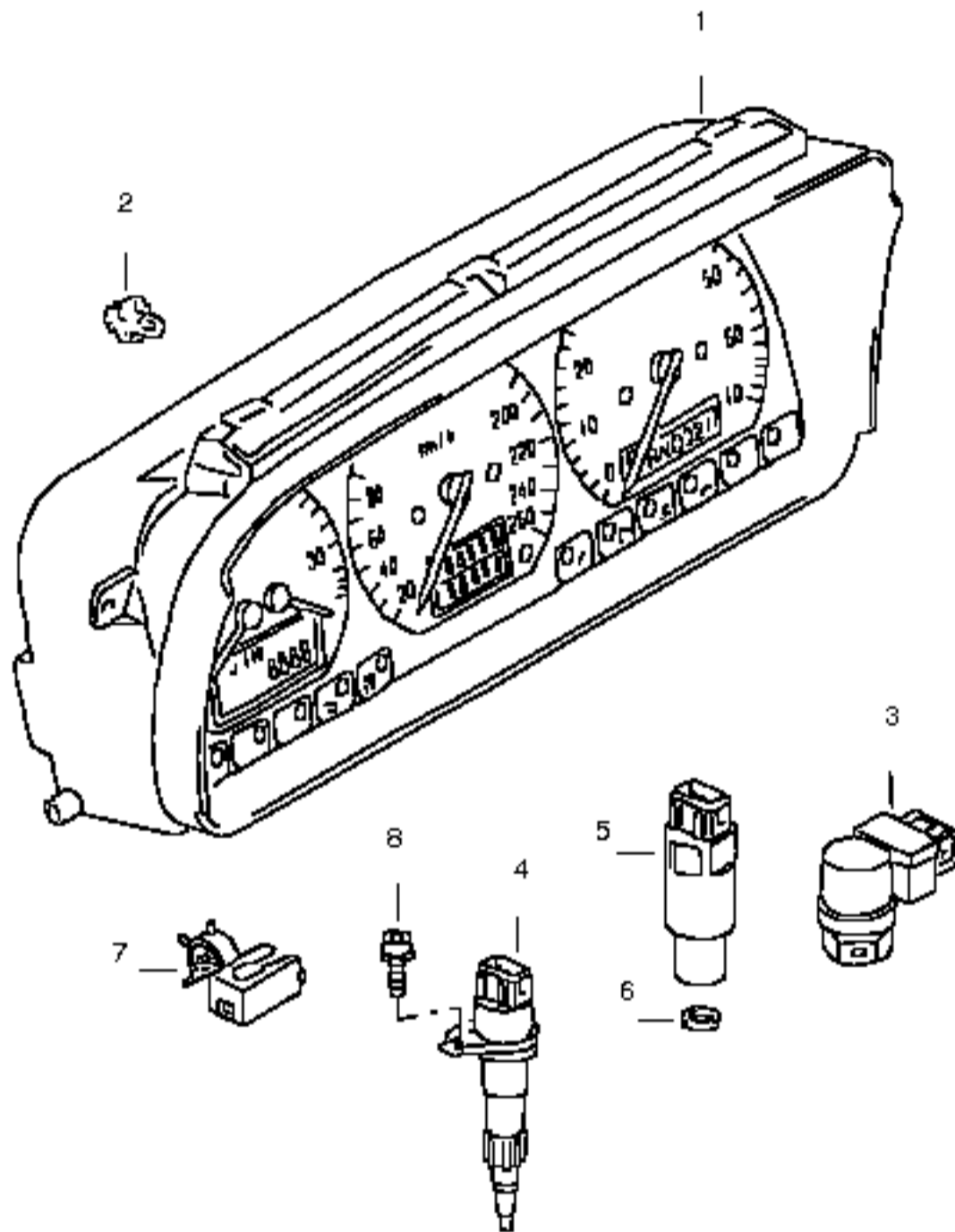
(7) 1J0919379
 outer temperature sensor

8 357919149
 distance sensor / 3 pin

(8) 1H0919149B
 distance sensor / 3 pin / AHY

(10) 871957825
 seal / 9,6/16MM

(10) 1H0919371
 round seal / AHY



dash panel insert

distance sensor

F >> 70-XH051 759

F >> 70-XX053 082 / lhd

F >> 70-XX067 239 / rhd

F 70-XH051 760>>

F 70-XX053 083>> / lhd

F 70-XX067 240>> / rhd

see illustration: / 920-00

dash panel insert

for models with analogue clock

F >> 70-XH051 759

F >> 70-XX053 082 / lhd

F >> 70-XX067 239 / rhd

(1) 7D0919850JX

dash panel insert / 220KM/H / AAC

7D0919850JX01C satin black

(1) 7D0919850KX

dash panel insert / 220KM/H / AET,AEU

7D0919850KX01C satin black

(1) 7D0919850LX

dash panel insert / 200KM/H / ABL,AJA

7D0919850LX01C satin black

(1) 7D0919900FX

dash panel insert / 140MPH / AAC

7D0919900FX01C satin black

(1) 7D0919900GX

dash panel insert / 120MPH / ABL,AJA

7D0919900GX01C satin black

dash panel insert

for models with revolution counter

F >> 70-XH051 759

F >> 70-XX053 082 / lhd

F >> 70-XX067 239 / rhd

(1) 7D0919862QX

dash panel insert / 220KM/H / AAC

7D0919862QX01C satin black

(1) 7D0919862PX

dash panel insert / 220KM/H / AET,AEU

7D0919862PX01C satin black

(1) 7D0919862NX

dash panel insert / 220KM/H / automatic: / AET,AEU

7D0919862NX01C satin black

(1) 7D0919862MX

dash panel insert / 220KM/H / AES

7D0919862MX01C satin black

(1) 7D0919862LX

dash panel insert / 220KM/H / automatic: / AES

7D0919862LX01C satin black

(1) 7D0919863JX

dash panel insert / 220KM/H / TOPSTAR:AES

7D0919863JX01C satin black

(1) 7D0919862KX

dash panel insert / 200KM/H / ABL

7D0919862KX01C satin black

(1) 7D0919862JX

dash panel insert / 200KM/H / AJA

7D0919862JX01C satin black

(1) 7D0919862HX

dash panel insert / 220KM/H / automatic: / AJA

7D0919862HX01C satin black

(1) 7D0919862GX

dash panel insert / 200KM/H / ACV

7D0919862GX01C satin black

(1) 7D0919862FX

dash panel insert / 200KM/H / automatic: / ACV

7D0919862FX01C satin black

(1) 7D0919863HX

dash panel insert / 200KM/H / TOPSTAR:ACV

7D0919863HX01C satin black

(1) 7D0919862RX

dash panel insert / 220KM/H / AHY

7D0919862RX01C satin black

(1) 7D0919862SX

dash panel insert / 200KM/H / AJT

7D0919862SX01C satin black

(1) 7D0919863BX

dash panel insert / 220KM/H / "AUS":AAC

7D0919863BX01C satin black

(1) 7D0919863AX

dash panel insert / 220KM/H / "AUS":AET

7D0919863AX01C satin black

(1) 7D0919863 X

dash panel insert / 220KM/H / AUTOMTIC / "AUS":AET

7D0919863 X01C satin black

(1) 7D0919862CX

dash panel insert / 220KM/H / automatic/ / "AUS":AES

7D0919862CX01C satin black

(1) 7D0919862EX

dash panel insert / 200KM/H / "AUS":AJA

7D0919862EX01C satin black

(1) 7D0919911HX

dash panel insert / 140MPH / AET

7D0919911HX01C satin black

(1) 7D0919911GX

dash panel insert / 140MPH / automatic: / AEU

7D0919911GX01C satin black

(1) 7D0919911EX

dash panel insert / 140MPH / automatic: / AES

7D0919911EX01C satin black

(1) 7D0919911DX

dash panel insert / 120MPH / automatic: / AJA

7D0919911DX01C satin black

(1) 7D0919911CX

dash panel insert / 120MPH / ACV

7D0919911CX01C satin black

(1) 7D0919911BX

dash panel insert / 120MPH / automatic: / ACV

7D0919911BX01C satin black

(1) 7D0919911MX

dash panel insert / 120MPH / AJT

7D0919911MX01C satin black

dash panel insert

for vehicles with multi function indicator

F >> 70-XH051 759

F >> 70-XX053 082 / lhd

F >> 70-XX067 239 / rhd

(1) 7D0919881GX

dash panel insert / 220KMH / AET,AEU

7D0919881GX01C satin black

(1) 7D0919881FX

dash panel insert / 220KM/H / automatic: / AET,AEU

7D0919881FX01C satin black

(1) 7D0919881EX

dash panel insert / 220KM/H / AES

7D0919881EX01C satin black

(1) 7D0919881DX

dash panel insert / 220KM/H / automatic: / AES

7D0919881DX01C satin black

(1) 7D0919880SX

dash panel insert / 220KM/H / automatic/ / "AUS":AET

7D0919880SX01C satin black

single parts

F >> 70-XH051 759

F >> 70-XX053 082 / lhd

F >> 70-XX067 239 / rhd

2 893919040A

bulb / 12V2W

for dashboard lighting

5 357919149

distance sensor / 3 pin

(5) 1H0919149B

distance sensor / 3 pin / AHY

6 871957825

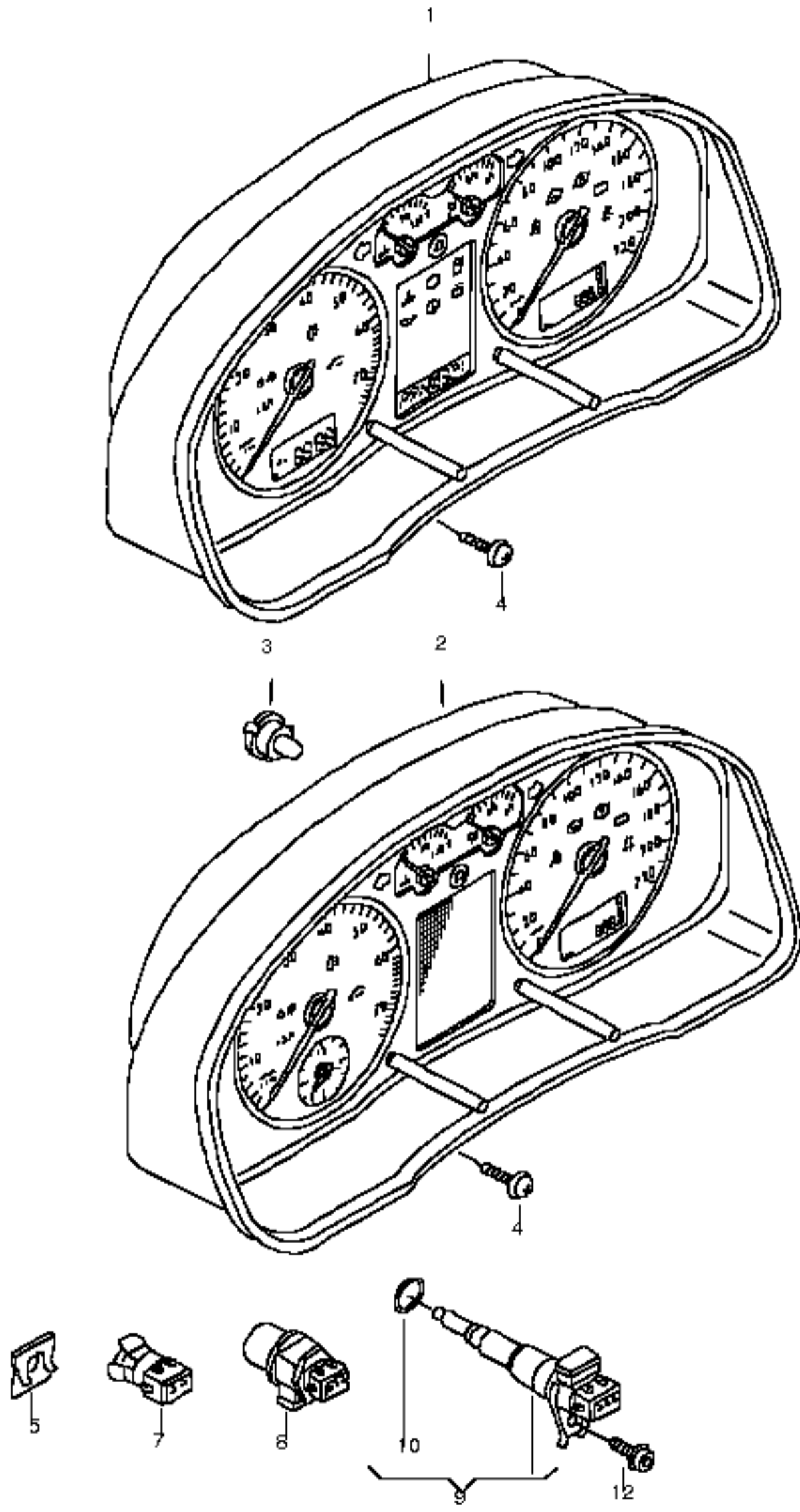
seal / 9,6/16MM

(6) 1H0919371

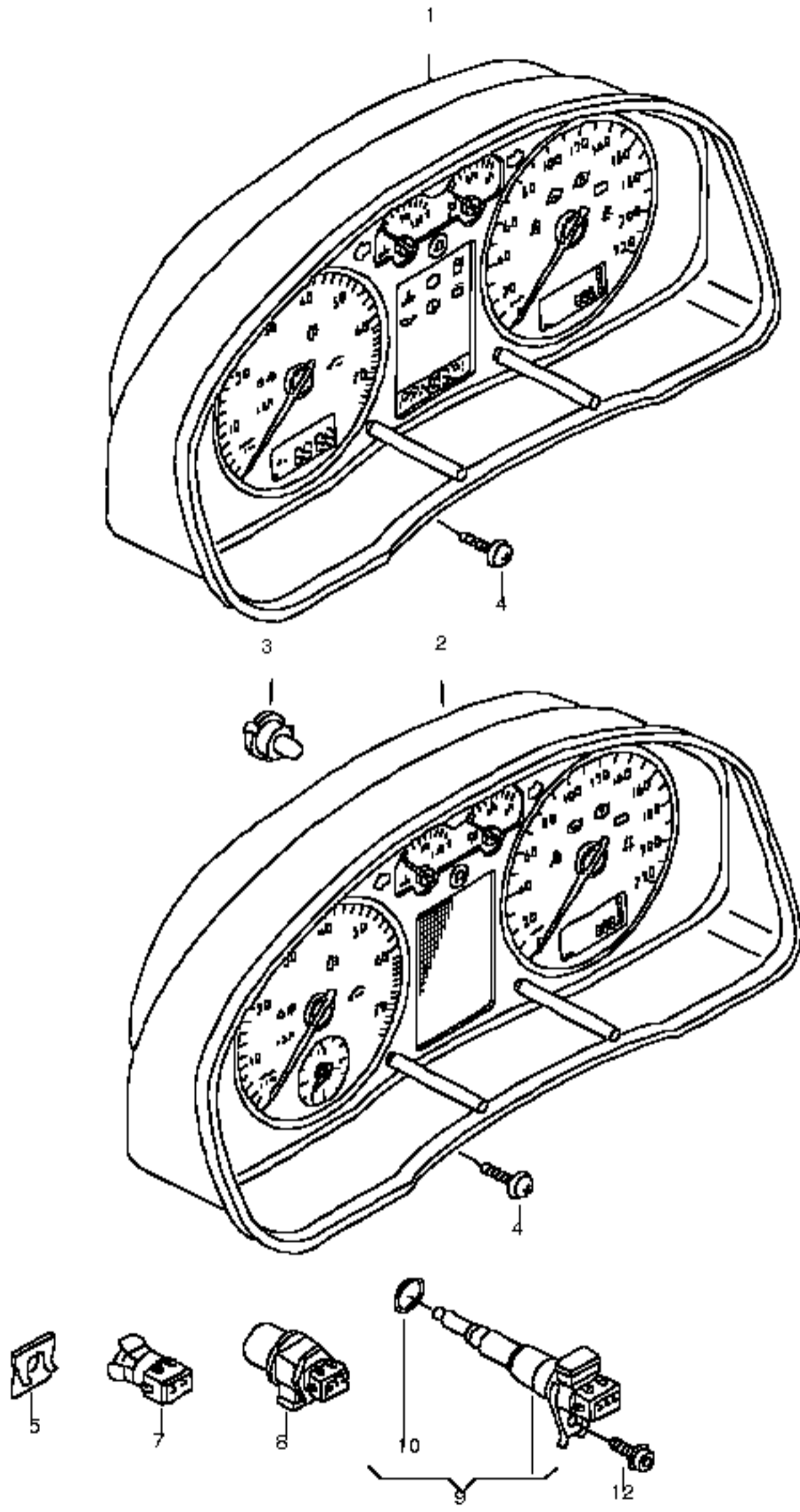
round seal / AHY

7 701957845

retainer, swivelling with cap for seal / 24MM



- dash panel insert
- distance sensor
- lighting / blue
- F 70-XH051 760>> 70-Y-200 000
- F 70-XX053 083>> 70-Y-200 000 / lhd
- F 70-XX067 240>> 70-Y-200 000 / rhd
- combi-instrument with revolution counter
- F 70-XH051 760>> 70-XH250 000
- F 70-XX053 083>> 70-XX250 000 / lhd
- F 70-XX067 240>> 70-XX250 000 / rhd
- (1) 7D0920800
- dash panel insert / 220KM/H / "E..": / otto engine
- 7D0920800 01C satin black
- (1) 7D0920800A
- dash panel insert / 220KM/H / "E..": / automatic / otto engine
- 7D0920800A 01C satin black
- (1) 7D0920800B
- dash panel insert / 220KM/H / "E..": / diesel eng.
- 7D0920800B 01C satin black
- (1) 7D0920800F
- dash panel insert / 220KM/H / "E..": / diesel eng. / AHY
- 7D0920800F 01C satin black
- (1) 7D0920800C
- dash panel insert / 220KM/H / "E..": / automatic / diesel eng.
- 7D0920800C 01C satin black
- I 7D0920800 X
- dash panel insert / 220KM/H / otto engine
- 7D0920800 X01C satin black
- (1) 7D0920800AX
- dash panel insert / 220KM/H / automatic: / otto engine
- 7D0920800AX01C satin black
- (1) 7D0920800BX
- dash panel insert / 220KM/H / diesel eng.
- 7D0920800BX01C satin black
- (1) 7D0920800FX
- dash panel insert / 220KM/H / diesel eng.: / AHY
- 7D0920800FX01C satin black
- (1) 7D0920800CX
- dash panel insert / 220KM/H / automatic: / diesel eng.
- 7D0920800CX01C satin black
- (1) 7D0920900 X
- dash panel insert / 140MPH / otto engine
- 7D0920900 X01C satin black
- (1) 7D0920900AX
- dash panel insert / 140MPH / automatic: / otto engine
- 7D0920900AX01C satin black
- (1) 7D0920900BX
- dash panel insert / 140MPH / diesel eng.
- 7D0920900BX01C satin black
- (1) 7D0920900CX
- dash panel insert / 140MPH / automatic: / diesel eng.
- 7D0920900CX01C satin black
- (1) 7D0920900EX
- dash panel insert / 140MPH / diesel eng.: / AHY
- 7D0920900EX01C satin black
- combi-instrument with revolution counter
- F 70-Y-000 001>> 70-Y-200 000 / "E.."
- (1) 7D0920801
- dash panel insert / 220KM/H / otto engine
- 7D0920801 01C satin black
- (1) 7D0920801A
- dash panel insert / 220KM/H / otto engine: / automatic
- 7D0920801A 01C satin black
- (1) 7D0920801C
- dash panel insert / 220KM/H / automatic: / AUF
- 7D0920801C 01C satin black
- (1) 7D0920801D
- dash panel insert / 220KM/H / AHY
- 7D0920801D 01C satin black
- (1) 7D0920801J
- dash panel insert / 220KM/H / automatic: / AJA
- 7D0920801J 01C satin black
- combi-instrument with revolution counter
- F 70-Y-000 001>> 70-Y-200 000
- for vehicles without electro- nic stabilisation program
- F 70-Y-000 001>> 70-YX088 755
- F 70-Y-000 001>> 70-YH094 480
- (1) 7D0920801 X
- dash panel insert / 220KM/H / otto engine
- 7D0920801 X01C satin black
- (1) 7D0920801AX
- dash panel insert / 220KM/H / otto engine: / automatic
- 7D0920801AX01C satin black
- (1) 7D0920802EX
- dash panel insert / 200KM/H / ACV,AJT
- 7D0920802EX01C satin black
- (1) 7D0920801CX
- dash panel insert / 220KM/H / automatic: / AUF
- 7D0920801CX01C satin black
- (1) 7D0920801DX
- dash panel insert / 220KM/H / AHY
- 7D0920801DX01C satin black
- (1) 7D0920801HX
- dash panel insert / 220KM/H / ABL,AJA
- 7D0920801HX01C satin black
- (1) 7D0920901 X
- dash panel insert / 140MPH / otto engine
- 7D0920901 X01C satin black
- (1) 7D0920901AX
- dash panel insert / 140MPH / otto engine: / automatic
- 7D0920901AX01C satin black
- (1) 7D0920902EX
- dash panel insert / 140MPH / AJT,ACV
- 7D0920902EX01C satin black
- (1) 7D0920901CX
- dash panel insert / 140MPH / automatic: / AUF
- 7D0920901CX01C satin black
- (1) 7D0920901DX
- dash panel insert / 140MPH / AHY
- 7D0920901DX01C satin black
- (1) 7D0920901GX
- dash panel insert / 140MPH / ABL,AJA
- 7D0920901GX01C satin black
- combi-instrument with revolution counter
- for vehicles without electronic stabilisation program
- F 70-YX088 756>> 70-Y-200 000
- F 70-YH094 481>> 70-Y-200 000
- (1) 7D0920801HX
- dash panel insert / 220KM/H / ABL,AJA
- 7D0920801HX01C satin black
- (1) 7D0920802NX
- dash panel insert / 220KM/H / otto engine
- 7D0920802NX01C satin black
- (1) 7D0920803AX
- dash panel insert / 220KM/H / otto engine: / automatic
- 7D0920803AX01C satin black
- (1) 7D0920802NX
- dash panel insert / 220KM/H / ACV,AJT
- 7D0920802NX01C satin black
- (1) 7D0920803CX
- dash panel insert / 220KM/H / automatic: / AUF
- 7D0920803CX01C satin black
- (1) 7D0920803DX
- dash panel insert / 220KM/H / AHY
- 7D0920803DX01C satin black
- (1) 7D0920901GX
- dash panel insert / 140MPH / ABL,AJA
- 7D0920901GX01C satin black
- (1) 7D0920903 X
- dash panel insert / 140MPH / otto engine
- 7D0920903 X01C satin black
- (1) 7D0920903AX
- dash panel insert / 140MPH / otto engine: / automatic
- 7D0920903AX01C satin black
- (1) 7D0920903BX
- dash panel insert / 140MPH / AJT,ACV
- 7D0920903BX01C satin black
- (1) 7D0920903CX
- dash panel insert / 140MPH / automatic: / AUF
- 7D0920903CX01C satin black
- (1) 7D0920903DX
- dash panel insert / 140MPH / AHY
- 7D0920903DX01C satin black
- dash panel insert
- for multi-function indicator
- F 70-XH051 760>> 70-XH250 000
- F 70-XX053 083>> 70-XX250 000 / lhd
- F 70-XX067 240>> 70-XX250 000 / rhd
- (1) 7D0920820
- dash panel insert / 220KM/H / "E..": / otto engine
- 7D0920820 01C satin black
- (1) 7D0920820A
- dash panel insert / 220KM/H / "E..": / automatic / otto engine
- 7D0920820A 01C satin black
- (1) 7D0920820B
- dash panel insert / 220KM/H / "E..": / diesel eng. / ACV,AJT
- 7D0920820B 01C satin black
- (1) 7D0920820C
- dash panel insert / 220KM/H / "E..": / automatic / diesel eng.: / ACV,AJT
- 7D0920820C 01C satin black
- (1) 7D0920820E
- dash panel insert / 220KM/H / "E..": / diesel eng. / AHY
- 7D0920820E 01C satin black
- (1) 7D0920820 X
- dash panel insert / 220KM/H / otto engine
- 7D0920820 X01C satin black
- (1) 7D0920820AX
- dash panel insert / 220KM/H / automatic: / otto engine
- 7D0920820AX01C satin black
- (1) 7D0920820BX
- dash panel insert / 220KM/H / diesel eng.: / ACV,AJT
- 7D0920820BX01C satin black
- (1) 7D0920820CX
- dash panel insert / 220KM/H / automatic / diesel eng.: / ACV,AJT
- 7D0920820CX01C satin black
- (1) 7D0920820EX
- dash panel insert / 220KM/H / diesel eng.: / AHY
- 7D0920820EX01C satin black
- (1) 7D0920920 X
- dash panel insert / 140MPH / otto engine
- 7D0920920 X01C satin black
- (1) 7D0920920AX
- dash panel insert / 140MPH / automatic: / otto engine
- 7D0920920AX01C satin black
- (1) 7D0920920BX
- dash panel insert / 140MPH / diesel eng.
- 7D0920920BX01C satin black
- (1) 7D0920920CX
- dash panel insert / 140MPH / automatic: / diesel eng.
- 7D0920920CX01C satin black
- (1) 7D0920920DX
- dash panel insert / 140MPH / diesel eng.: / AHY
- 7D0920920DX01C satin black
- dash panel insert
- for multi-function indicator
- F 70-Y-000 001>> 70-Y-200 000 / "E.."
- (1) 7D0920821
- dash panel insert / 220KM/H / otto engine
- 7D0920821 01C satin black
- (1) 7D0920821F
- dash panel insert / 220KM/H / otto engine: / automatic
- 7D0920821F 01C satin black
- (1) 7D0920821B
- dash panel insert / 220KM/H / ACV,AJT,AUF
- 7D0920821B 01C satin black
- (1) 7D0920821D
- dash panel insert / 220KM/H / AHY
- 7D0920821D 01C satin black
- dash panel insert
- for multi-function indicator
- for vehicles without electro- nic stabilisation program
- F 70-Y-000 001>> 70-Y-200 000
- F 70-YH094 481>> 70-Y-200 000
- (1) 7D0920823 X
- dash panel insert / 220KM/H / otto engine
- 7D0920823 X01C satin black
- (1) 7D0920823AX
- dash panel insert / 220KM/H / otto engine: / automatic
- 7D0920823AX01C satin black
- (1) 7D0920823BX
- dash panel insert / 220KM/H / ACV,AJT,AUF
- 7D0920823BX01C satin black
- (1) 7D0920823CX
- dash panel insert / 220KM/H / AHY
- 7D0920823CX01C satin black
- (1) 7D0920922GX
- dash panel insert / 140MPH / otto engine
- 7D0920922GX01C satin black
- (1) 7D0920923AX
- dash panel insert / 140MPH / otto engine: / automatic
- 7D0920923AX01C satin black
- (1) 7D0920923BX
- dash panel insert / 140MPH / AJT,ACV,AUF
- 7D0920923BX01C satin black
- (1) 7D0920922KX
- dash panel insert / 140MPH / AHY
- 7D0920922KX01C satin black
- dash panel insert
- for vehicles with navigation system
- F 70-XH051 760>> 70-XH250 000
- F 70-XX053 083>> 70-XX250 000 / lhd
- F 70-XX067 240>> 70-XX250 000 / rhd
- dash panel insert
- for vehicles with navigation system
- F 70-Y-000 001>> 70-Y-200 000 / "E.."
- (1) 7D0920841
- dash panel insert / 220KM/H / otto engine
- 7D0920841 01C satin black
- (1) 7D0920841A
- dash panel insert / 220KM/H / AJT,ACV,AUF
- 7D0920841A 01C satin black
- (1) 7D0920841B
- dash panel insert / 220KM/H / AHY
- 7D0920841B 01C satin black
- (1) 7D0920841D
- dash panel insert / 220KM/H / ABL,AJA
- 7D0920841D 01C satin black
- dash panel insert
- for vehicles with navigation system
- for vehicles without electro- nic stabilisation program
- F 70-Y-000 001>> 70-Y-200 000
- for vehicles without electronic stabilisation program
- F 70-Y-000 001>> 70-YX088 755
- F 70-Y-000 001>> 70-YH094 480
- (1) 7D0920841 X
- dash panel insert / 220KM/H / otto engine
- 7D0920841 X01C satin black
- (1) 7D0920841AX
- dash panel insert / 220KM/H / AJT,ACV,AUF
- 7D0920841AX01C satin black
- (1) 7D0920842DX
- dash panel insert / 220KM/H / AHY
- 7D0920842DX01C satin black
- (1) 7D0920841DX
- dash panel insert / 220KM/H / ABL,AJA
- 7D0920841DX01C satin black
- dash panel insert
- for vehicles with navigation system
- for vehicles without electro- nic stabilisation program
- F 70-YX088 756>> 70-Y-200 000
- F 70-YH094 481>> 70-Y-200 000
- (1) 7D0920841DX
- dash panel insert / 220KM/H / ABL,AJA
- 7D0920841DX01C satin black
- (1) 7D0920843 X
- dash panel insert / 220KM/H / otto engine
- 7D0920843 X01C satin black
- (1) 7D0920843AX
- dash panel insert / 220KM/H / AJT,ACV,AUF
- 7D0920843AX01C satin black
- (1) 7D0920843BX
- dash panel insert / 220KM/H / AHY
- 7D0920843BX01C satin black
- single parts
- F 70-XH051 760>> 70-Y-200 000
- F 70-XX053 083>> 70-Y-200 000 / lhd
- F 70-XX067 240>> 70-Y-200 000 / rhd
- 3 893919040A
- bulb / 12V2W
- for dashboard lighting
- 4 N 90709101
- oval head panel screw / 4,2X16
- (7) 1J0919379
- outer temperature sensor
- 8 357919149
- distance sensor / 3 pin
- (8) 1H0919149B
- distance sensor / 3 pin / AHY
- (10) 871957825
- seal / 9,6/16MM
- (10) 1H0919371
- round seal / AHY



dash panel insert
 distance sensor
 outer temperature sensor
 F 70-2-000 001>>
 dash panel insert
 F 70-2-000 001>> / "E.."

(1) 7D0920802
 dash panel insert / 220KM/H / otto engine: / 4-,5-cyl.
 7D0920802 01C satin black

(1) 7D0920802A
 dash panel insert / 220KM/H / otto engine: / automatic/ / 5-cylinder
 7D0920802A 01C satin black

(1) 7D0920805M
 dash panel insert / 260KM/H / 6 cylinder
 7D0920805M 01C satin black

(1) 7D0920802C
 dash panel insert / 220KM/H / AJA,ABL
 7D0920802C 01C satin black

(1) 7D0920802E
 dash panel insert / 220KM/H / ACV,AJT,AYC, / AYY
 7D0920802E 01C satin black
 (

1) 7D0920802F
 dash panel insert / 220KM/H / automatic: / AYC
 7D0920802F 01C satin black

(1) 7D0920802G
 dash panel insert / 220KM/H / AXG
 7D0920802G 01C satin black

dash panel insert
 for vehicles with electronic stabilisation program -esp-
 F 70-2-000 001>>

(1) 7D0920805PX
 dash panel insert / 220KM/H / AJT,AJA,AYY,
 for vehicles with tachograph / ACV,AYC
 7D0920805PX01C satin black

(1) 7D0920805QX
 dash panel insert / 220KM/H / AYC
 for vehicles with tachograph
 7D0920805QX01C satin black

(1) 7D0920802 X
 dash panel insert / 220KM/H / otto engine: / 4-,5-cyl.
 7D0920802 X01C satin black

(1) 7D0920802AX
 dash panel insert / 220KM/H / otto engine: / automatic/ / 5-cylinder
 7D0920802AX01C satin black

(1) 7D0920805MX
 dash panel insert / 260KM/H / 6 cylinder
 7D0920805MX01C satin black
 7D0920802CX
 dash panel insert / 220KM/H / ABL,AJA
 7D0920802CX01C satin black

(1) 7D0920802EX
 dash panel insert / 220KM/H / ACV,AJT,AYC, / AYY
 7D0920802EX01C satin black

(1) 7D0920802FX
 dash panel insert / 220KM/H / automatic: / AYC
 7D0920802FX01C satin black

(1) 7D0920802GX
 dash panel insert / 220KM/H / AXG
 7D0920802GX01C satin black

(1) 7D0920902CX
 dash panel insert / 140MPH / ABL,AJA
 7D0920902CX01C satin black

(1) 7D0920902 X
 dash panel insert / 140MPH / otto engine: / 4-,5-cyl.
 7D0920902 X01C satin black

(1) 7D0920902AX
 dash panel insert / 140MPH / otto engine: / automatic/ / 5-cylinder
 7D0920902AX01C satin black

(1) 7D0920902SX
 dash panel insert / 160MPH / 6 cylinder
 7D0920902SX01C satin black

(1) 7D0920902CX
 dash panel insert / 140MPH / ABL,AJA
 7D0920902CX01C satin black

(1) 7D0920902EX
 dash panel insert / 140MPH / AJT,ACV,AYY, / AYC
 7D0920902EX01C satin black

(1) 7D0920902FX
 dash panel insert / 140MPH / automatic: / AYC
 7D0920902FX01C satin black

(1) 7D0920902GX
 dash panel insert / 140MPH / AXG
 7D0920902GX01C satin black

dash panel insert
 for vehicles without electro- nic stabilisation program
 F 70-2-000 001>>

(1) 7D0920805RX
 dash panel insert / 220KM/H / AJT,AYY,ACV,
 for vehicles with tachograph / AYC
 7D0920805RX01C satin black

(1) 7D0920805SX
 dash panel insert / 220KM/H / automatic:
 for vehicles with tachograph / AYC,AUF
 7D0920805SX01C satin black

(1) 7D0920802CX
 dash panel insert / 220KM/H / ABL,AJA
 7D0920802CX01C satin black

(1) 7D0920802NX
 dash panel insert / 220KM/H / otto engine: / 4-,5-cyl.
 7D0920802NX01C satin black
 7D0920802PX
 dash panel insert / 220KM/H / otto engine: / automatic/ / 5-cylinder
 7D0920802PX01C satin black

(1) 7D0920802QX
 dash panel insert / 220KM/H / ACV,AJT,AYY, / AYC
 7D0920802QX01C satin black

(1) 7D0920802RX
 dash panel insert / 220KM/H / automatic: / AYC,AUF
 7D0920802RX01C satin black

(1) 7D0920802SX
 dash panel insert / 220KM/H / AXG
 7D0920802SX01C satin black

(1) 7D0920902MX
 dash panel insert / 140MPH / otto engine: / 4-,5-cyl.
 7D0920902MX01C satin black

(1) 7D0920902NX
 dash panel insert / 140MPH / otto engine: / automatic/ / 5-cylinder
 7D0920902NX01C satin black

(1) 7D0920902PX
 dash panel insert / 140MPH / AJT,ACV,AYY, / AYC
 7D0920902PX01C satin black

(1) 7D0920902QX
 dash panel insert / 140MPH / automatic: / AYC,AUF
 7D0920902QX01C satin black

(1) 7D0920902RX
 dash panel insert / 140MPH / AXG
 7D0920902RX01C satin black

dash panel insert / "E.."
 for multi-function indicator
 F 70-2-000 001>>

(1) 7D0920822
 dash panel insert / 220KM/H / otto engine:
 / 5-cylinder
 7D0920822 01C satin black

(1) 7D0920822A
 dash panel insert / 220KM/H / otto engine: / automatic/ / 5-cylinder
 7D0920822A 01C satin black

(1) 7D0920822L
 dash panel insert / 260KM/H / 6 cylinder
 7D0920822L 01C satin black

(1) 7D0920822C
 dash panel insert / 220KM/H / ACV,AJT,AYY, / AYC,AUF
 7D0920822C 01C satin black

(1) 7D0920822D
 dash panel insert / 220KM/H / AXG
 7D0920822D 01C satin black

dash panel insert
 for multi-function indicator
 for vehicles with electronic stabilisation program -esp-
 F 70-2-000 001>>

(2) 7D0920822MX
 dash panel insert / 220KM/H / AYY,AJT,ACV,
 for vehicles with tachograph / AYC,AUF
 7D0920822MX01C satin black

(2) 7D0920822 X
 dash panel insert / 220KM/H / otto engine: / 5-cylinder
 7D0920822 X01C satin black

(2) 7D0920822AX
 dash panel insert / 220KM/H / otto engine: / automatic/ / 5-cylinder
 7D0920822AX01C satin black

(2) 7D0920822LX
 dash panel insert / 260KM/H / 6 cylinder
 7D0920822LX01C satin black

(2) 7D0920822CX
 dash panel insert / 220KM/H / ACV,AJT,AYY, / AYC,AUF
 7D0920822CX01C satin black

(2) 7D0920822DX
 dash panel insert / 220KM/H / AXG
 7D0920822DX01C satin black

(2) 7D0920922 X
 dash panel insert / 140MPH / otto engine: / 5-cylinder
 7D0920922 X01C satin black

(2) 7D0920922AX
 dash panel insert / 140MPH / otto engine: / automatic/ / 5-cylinder
 7D0920922AX01C satin black

(2) 7D0920922LX
 dash panel insert / 160MPH / 6 cylinder
 7D0920922LX01C satin black

(2) 7D0920922CX
 dash panel insert / 140MPH / AJT,AYY,ACV, / AYC,AUF
 7D0920922CX01C satin black

(2) 7D0920922DX
 dash panel insert / 140MPH / AXG
 7D0920922DX01C satin black

dash panel insert
 for multi-function indicator
 for vehicles without electro- nic stabilisation program
 F 70-2-000 001>>

(2) 7D0920822NX
 dash panel insert / 220KM/H / AJT,AYY,AYC,
 for vehicles with tachograph / AVC,AUF
 7D0920822NX01C satin black

(2) 7D0920822GX
 dash panel insert / 220KM/H / otto engine: / 5-cylinder
 7D0920822GX01C satin black

(2) 7D0920822HX
 dash panel insert / 220KM/H / otto engine: / automatic/ / 5-cylinder
 7D0920822HX01C satin black

(2) 7D0920822JX
 dash panel insert / 220KM/H / ACV,AJT,AYY, / AYC,AUF
 7D0920822JX01C satin black

(2) 7D0920822KX
 dash panel insert / 220KM/H / AXG
 7D0920822KX01C satin black

(2) 7D0920922GX
 dash panel insert / 140MPH / otto engine: / 5-cylinder
 7D0920922GX01C satin black

(2) 7D0920922HX
 dash panel insert / 140MPH / otto engine: / automatic/ / 5-cylinder
 7D0920922HX01C satin black

(2) 7D0920922JX
 dash panel insert / 140MPH / AJT,ACV,AYY, / AYC,AUF
 7D0920922JX01C satin black

(2) 7D0920922KX
 dash panel insert / 140MPH / AXG
 7D0920922KX01C satin black

dash panel insert / "E.."
 for vehicles with navigation system
 F 70-2-000 001>>

(2) 7D0920842
 dash panel insert / 220KM/H / otto engine: / 4-,5-cyl.
 7D0920842 01C satin black

(2) 7D0920842K
 dash panel insert / 260KM/H / 6 cylinder
 7D0920842K 01C satin black

(2) 7D0920842B
 dash panel insert / 220KM/H / ABL,AJA
 7D0920842B 01C satin black

(2) 7D0920842C
 dash panel insert / 220KM/H / AJT,ACV,ACY, / AYY,AUF
 7D0920842C 01C satin black

(2) 7D0920842D
 dash panel insert / 220KM/H / AXG
 7D0920842D 01C satin black

dash panel insert
 for vehicles with navigation system

for vehicles with electronic stabilisation program -esp-
 F 70-2-000 001>>

(2) 7D0920842LX
 dash panel insert / 220KM/H / AJT,ACV,AYC,
 for vehicles with tachograph / AYY,AUF
 7D0920842LX01C satin black

(2) 7D0920842 X
 dash panel insert / 220KM/H / otto engine: / 4-,5-cyl.
 7D0920842 X01C satin black

(2) 7D0920842KX
 dash panel insert / 260KM/H / 6 cylinder
 7D0920842KX01C satin black

(2) 7D0920842BX
 dash panel insert / 220KM/H / ABL,AJA
 7D0920842BX01C satin black

(2) 7D0920842CX
 dash panel insert / 220KM/H / AJT,ACV,AYY, / AYC,AUF
 7D0920842CX01C satin black

(2) 7D0920842DX
 dash panel insert / 220KM/H / AXG
 7D0920842DX01C satin black

dash panel insert
 for vehicles with navigation system

for vehicles without electro- nic stabilisation program
 F 70-2-000 001>>

(2) 7D0920842MX
 dash panel insert / 220KM/H / AJT,ACV,AYY,
 for vehicles with tachograph / AYC,AUF
 7D0920842MX01C satin black

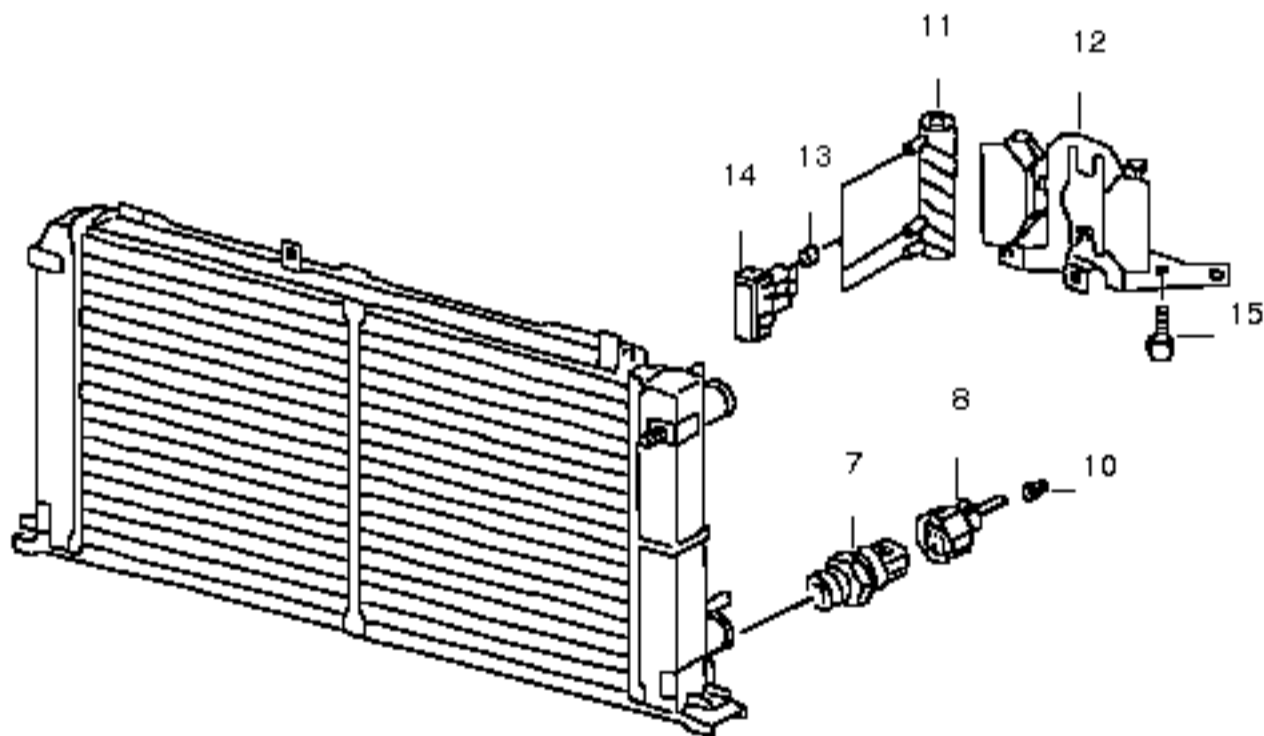
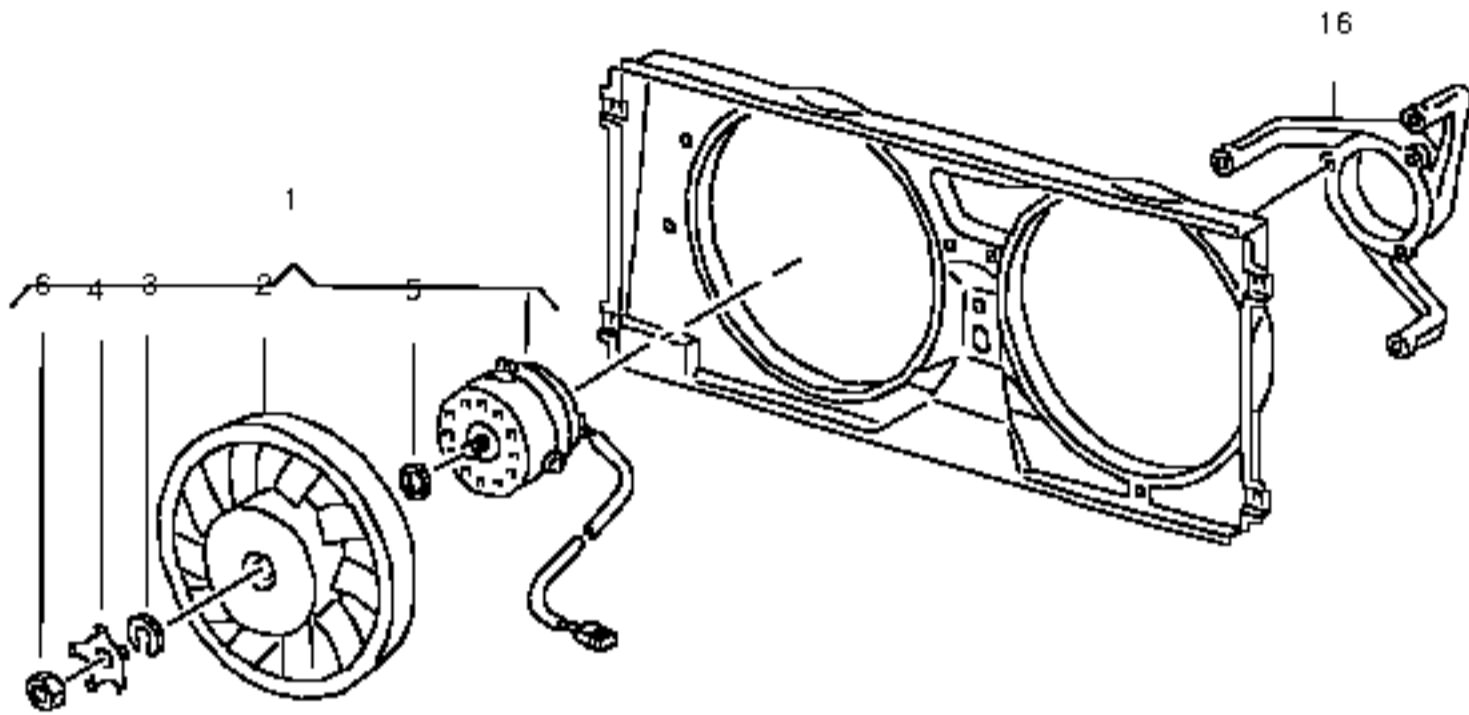
(2) 7D0920842BX
 dash panel insert / 220KM/H / ABL,AJA
 7D0920842BX01C satin black

(2) 7D0920842GX
 dash panel insert / 220KM/H / otto engine: / 4-,5-cyl.
 7D0920842GX01C satin black

(2) 7D0920842HX
 dash panel insert / 220KM/H / AJT,ACV,AYY, / AYC,AUF
 7D0920842HX01C satin black

(2) 7D0920842JX
 dash panel insert / 220KM/H / AXG
 7D0920842JX01C satin black

single parts
 3 893919040A
 bulb / 12V2W
 for dashboard lighting
 4 N 90709101
 oval head panel screw / 4,2X16
 (7) 1J0919379
 outer temperature sensor
 8 357919149
 distance sensor / 3 pin
 (8) 1H0919149B
 distance sensor / 3 pin / AXG
 (10) 871957825
 seal / 9,6/16MM
 (10) 1H0919371
 round seal / AXG



electric fan
electric fan / PR-AC1
for models without trailers or for trailers: / 0-0,75T
7D0959455M
electric fan / 350W 345MM / ABL,ACV,AJT, / VALEO / AAC,AES,AHY, / AET,AEU,AJA, / APL,AVT,AAB, / AXG,AYC,AYY

electric fan / PR-AC1
for vehicle use in warm climates
for trailer towing: / 0,76-2,0T

(1) 7D0959455M
electric fan / 350W 345MM / ACV,AAC,AES, / VALEO / AET,AEU,APL, / AVT,AUF,AJT, / AHY,AYC,AXG, / AYY; / automatic: / AJA

(1) 7D0959455K
electric fan / 450W 345MM / ABL; / SIEMENS NAMO / manual- gearbox: / AJA; / automatic: / AET,AEU,APL, / AVT,AMV

electric fan / PR-AC1
for vehicles with air condit.

(1) 7D0959455M
electric fan / 350W 345MM / AAC,AHY,AXG; / VALEO / manual- gearbox: / ACV,AEU,AES, / AET,APL,AVT, / AUF,AJT,AYC, / AYY

(1) 7D0959455K
electric fan / 450W 345MM / AHY,AXG / SIEMENS NAMO
for vehicle use in warm climates

(1) 7D0959455K
electric fan / 450W 345MM / ABL,AJA; / SIEMENS NAMO / automatic: / ACV,AES,AEU, / AET,APL,AVT, / AYC,AYY,AUF, / AMV

electric fan / PR-AC0
for models without trailers or for trailers: / 0-0,75T

(1) 701959455AM
electric fan / 350W 280MM / AAC,AET,AEU, / VALEO / AES,ABL,AJA, / ACV,AJT,AHY, / APL,AVT,AXG, / AYC,AYY

electric fan / PR-AC0
for models without trailers or for trailers: / 0-0,75T
for vehicle use in warm climates

(1) 701959455AM
electric fan / 350W 280MM / AAC,ACV,AYC; / VALEO / manual- gearbox: / AET,AEU,APL, / AVT

(1) 701959455J
electric fan / 450W 280MM / ABL,AJA; / BOSCH / automatic: / AET,AEU,APL, / AVT

electric fan / PR-AC0
for models without trailers or for trailers: / 0-0,75T
for vehicle use in cold climates

(1) 701959455AM
electric fan / 350W 280MM / AAC,AET,AEU, / VALEO / AES,ABL,AJA, / ACV,AJT,AHY, / APL,AVT,AXG, / AYC,AYY

electric fan / PR-AC0
for trailer towing: / 0,76-2,0T

(1) 701959455AM
electric fan / 350W 280MM / ABL,AEU,AET, / VALEO / AAC,ACV,APL, / AVT,AYC,AYY

(1) 701959455L
electric fan / 450W 345MM / AJA / SIEMENS NAMO

electric fan / PR-AC0
for vehicle use in warm climates
for trailer towing: / 0,76-2,0T

(1) 701959455AM
electric fan / 350W 280MM / AAC,ACV,AYC, / VALEO / AYY

(1) 701959455J
electric fan / 450W 280MM / ABL; / BOSCH / manual- gearbox: / AET,AEU,APL, / AVT

(1) 701959455L
electric fan / 450W 345MM / AJA; / BOSCH / automatic: / ACU,AET,AEU, / APL,AVT

electric fan / PR-AC0
for vehicle use in cold climates
for trailer towing: / 0,75-2,0T

(1) 701959455AM
electric fan / 350W 280MM / ACV,ABL,AYC, / VALEO / AYY

(1) 701959455J
electric fan / 450W 280MM / AAB,AET,ACV / BOSCH / AEU,AJA,APT, / AVT,AYC,AYY

electric fan / PR-AC0
for vehicles with air condit.

(1) 701959455AM
electric fan / 350W 280MM / AAC,ACV,AYC, / VALEO / AYY,AJT

(1) 701959455L
electric fan / 450W 345MM / AJA / BOSCH

(1) 701959455J
electric fan / 450W 280MM / manual- gearbox: / BOSCH / AET,AEU,APT, / AVT

(1) 7D0959455M
electric fan / 350W 345MM / automatic: / VALEO / AUF

fan wheel

2 4A0959465A
fan wheel / 280MM BOSCH
for electric fan: / 1

4 701959473
lock washer / BOSCH
for electric fan: / 1

5 701959477
spacer bush / BOSCH
for electric fan: / 1

6 1H0959484
hexagonal nut / BOSCH
for electric fan: / 1

7 701959481
dual thermo-switch / 87C-76C
/ 93C-82C

8 1H0973203
flat contact housing / 3 pin

10 357972741
single wiring seal / 5,6X7,8
/ blue
for wire cross section: / 1,0

(10) 357972742C
single wiring seal / 9,0X7,8
/ green
for wire cross section: / 4,0

11 701959263D
series resistor / 0,09-0,28 / air condit.

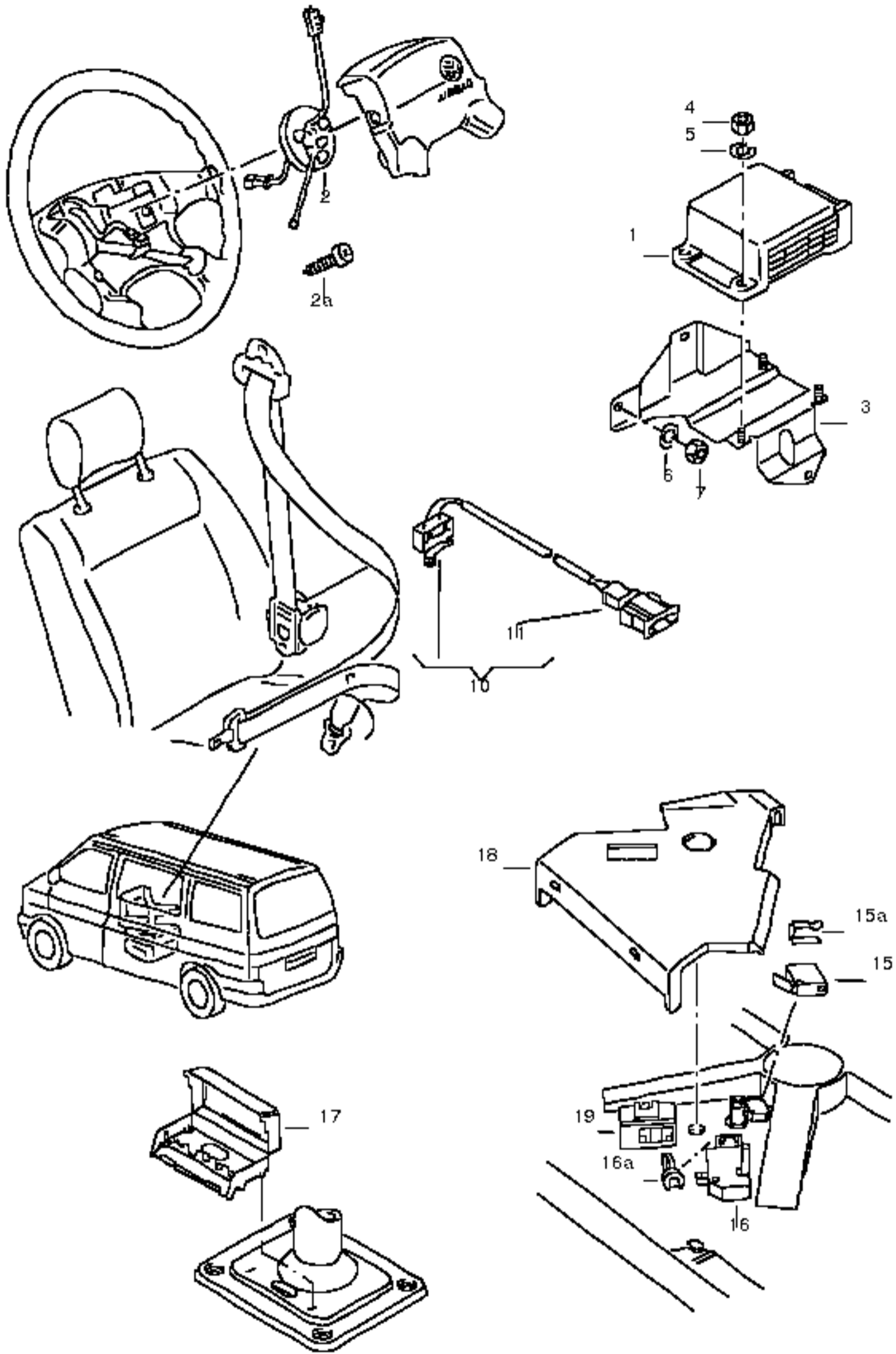
12 701971804E
bracket for resistance / PR-AC1
/ air condit.

(12) 7D0971804
bracket for resistance / PR-AC0
/ air condit.

13 357972742B
single wiring seal / 9,0X7,8
/ red
for wire cross section: / 2,5

14 357972783
flat connector housing / 3 pin

15 N 01021710
hexagonal head bolt / M6X20
see illustration: / 121-80



electrical parts for airbag
and pivoting frame for seat
control unit for airbag

* part number must be ordered* * manually with details of * * vehicle chassis number. *

(1) 1J0909603BL

control unit for drivers airbag

(1) 1J0909603CJ

control unit for driver and passenger airbag

2 1H0959653E

return ring with slip ring

F >> 70-XH051 759

F >> 70-XX053 082 / lhd

F >> 70-XX067 239 / rhd

(2) 7D0959653

return ring with slip ring

F 70-XH051 760>>

F 70-XX053 083>> / lhd

F 70-XX067 240>> / rhd

(2) 7D0959654

cancelling ring with slip ring and steering sensor / -ESP-

2A N 0141228

fillister hd. bolt / M4X8

3 701959657

retainer / lhd

(3) 701959657

retainer / PR-7Q2 / lhd

(3) 702959657A

retainer / rhd

4 N 01100624

hexagonal nut / M6

5 211805243

spring washer / 6,4X17

6 N 90330201

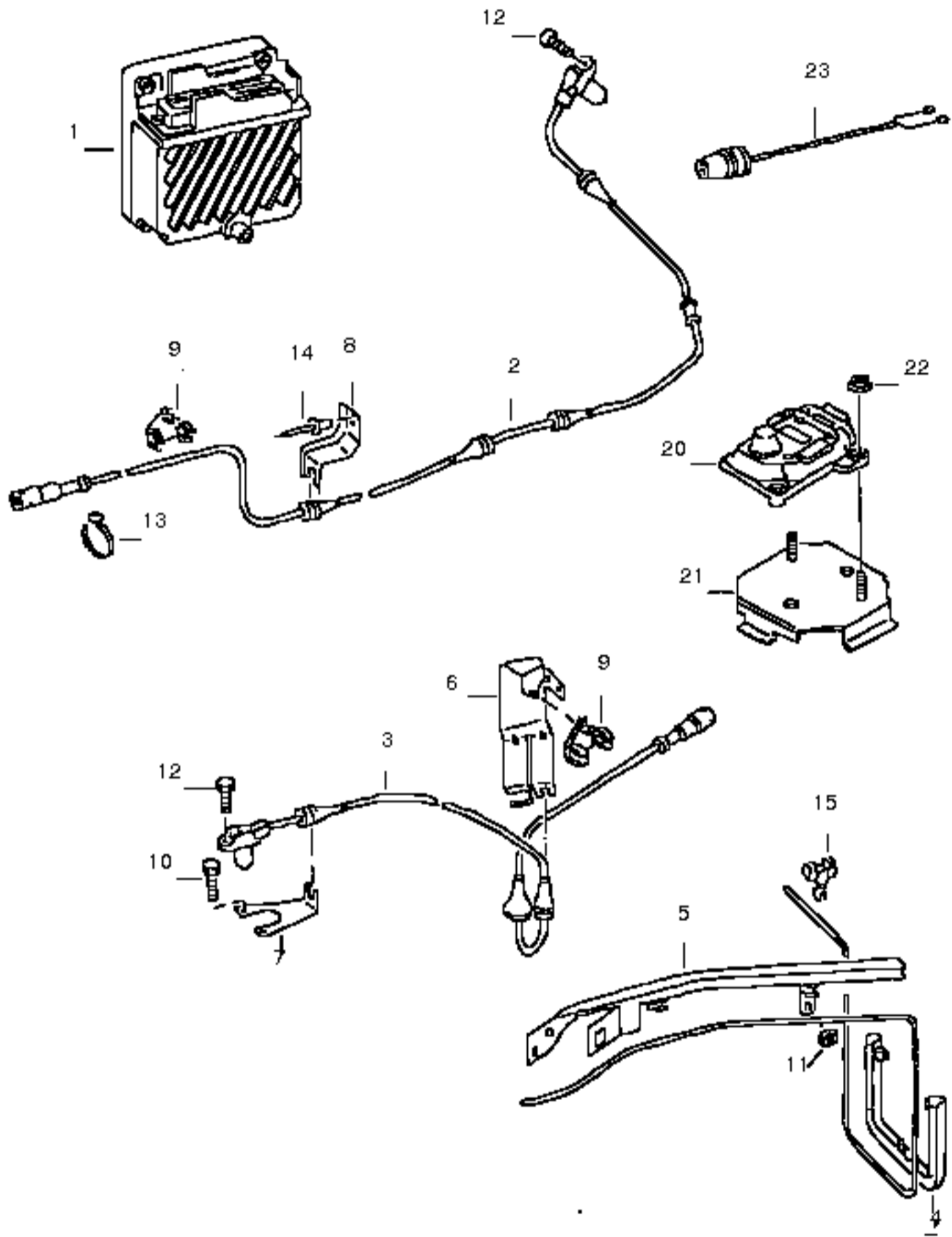
washer / 8,4X20X1,6

7 N 0110088

hexagonal nut / M8

17 7D1937403A

bracket for connector housing



electronic control unit for anti-locking brake system-abs-speed sensor

electronic control unit for anti-locking brake system-abs-see illustration: / 614-11

electronic control unit for anti-locking brake system-abs-for vehicles with electronic stabilisation program -esp-

(1) 7D0907379F

electronic control unit for anti-locking brake system-abs-for vehicles with electronic stabilisation program -esp-

(1) 7D0907379G

electronic control unit for anti-locking brake system-abs- / PR-2E3 for vehicles with electronic stabilisation program -esp-

speed sensor with securing parts

combi-sensor for acceleration and yaw

2 701927807D

speed sensor / right rear / 15"

(2) 7D0927808

speed sensor / right rear for vehicles with brake pad wear indicator / 15"

(2) 7D0927808

speed sensor / right rear for vehicles with brake pad wear indicator / 16"

(2) 701927807E

speed sensor / left rear / 15"

(2) 7D0927807

speed sensor / left rear for vehicles with brake pad wear indicator / 16"

3 701927807F

speed sensor / front

4 701971341

guide tube

5 701971341B

guide tube / left front

(5) 701971341C

guide tube / right front

6 7D0971852A

holder for wiring harness / left front

speed sensor

(6) 7D0971852B

holder for wiring harness / right front

speed sensor

(6) 7D0971852E

holder for wiring harness / left

speed sensor

for vehicles with brake pad wear indicator

7 7D0971852D

holder for wiring harness / front

speed sensor

8 7D0971852C

holder for wiring harness / rear

speed sensor

9 811971848E

cable holder

10 N 0102056

hexagonal head bolt / M5X10

11 N 01100624

hexagonal nut / M6

12 N 0147053

allen key head bolt / M6X25

(12) N 0147346

allen key head bolt / M6X22

for vehicles with brake pad wear indicator

13 N 90666101

cable tie / 4,5X200

14 N 90478601

pop-rivet / A4,8X11

15 701905787

retainer

20 4B0907637A

combi-sensor for acceleration and yaw

for vehicles with electronic stabilisation program -esp-

21 7D0937535

retainer

22 N 0150825

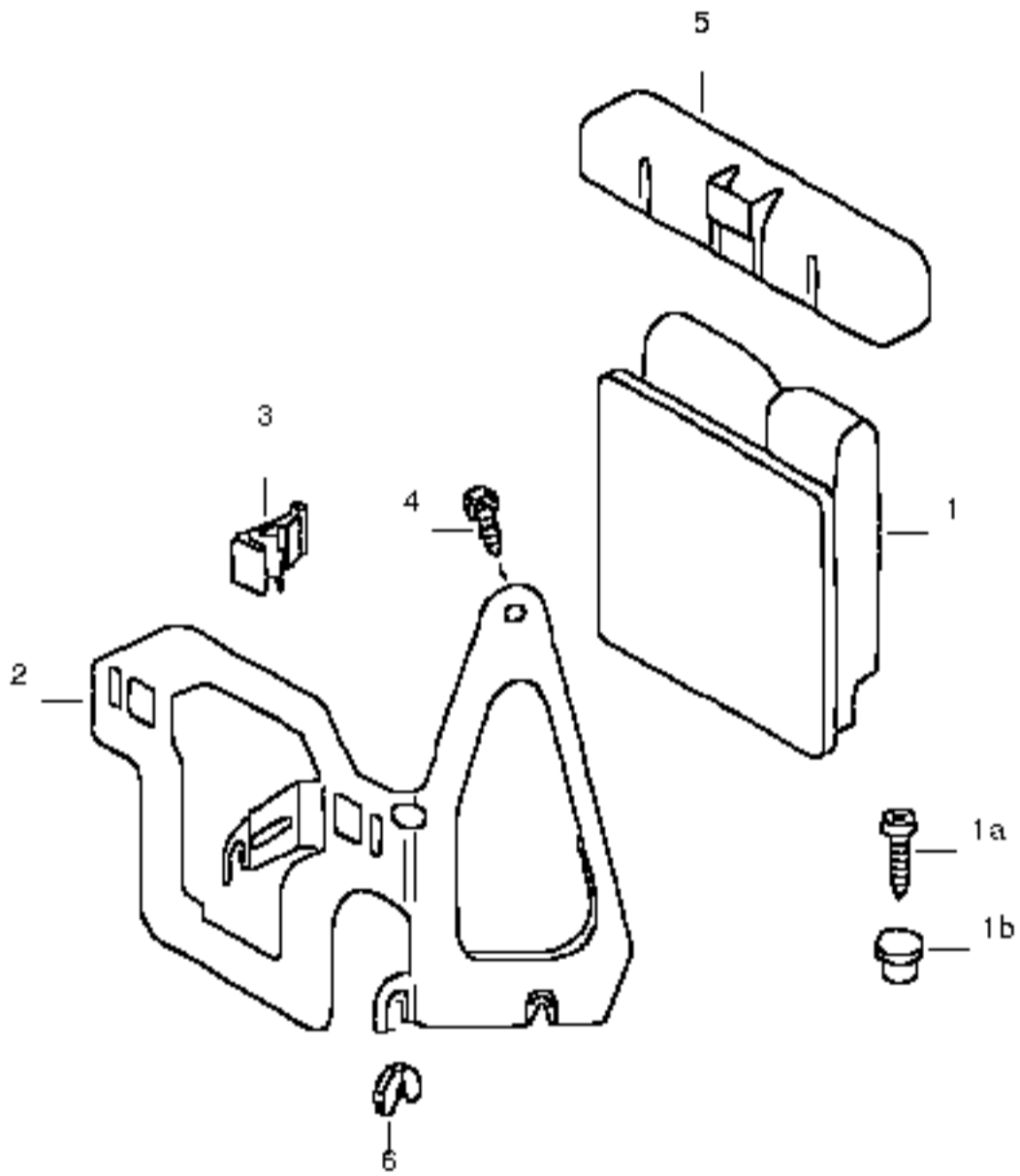
hexagon nut, shouldered / M6

23 7D0971416G

wiring harness for speed sensor / lhd / 5400MM

for vehicles with electronic stabilisation program -esp-

shorten if necessary



engine control unit
engine control unit / diesel eng.

(1) 074906021L
control unit for diesel engine
F >> 70-X-020 000* / ACV
F >> 70-XX016 000*

(1) 074906021A
control unit for diesel engine
F 70-X-020 001>>*70-X-200 000* / ACV
F 70-XX016 001>>*70-XX200 000*

(1) 074906018C
control unit for diesel engine
F 70-Y-000 001>> 70-1-048 285 / ACV,AUF
F 70-YX000 001>> 70-1X042 928

(1) 074906018AL
control unit for diesel engine
F 70-1-048 286>> / ACV,AUF,AYC
F 70-1-042 929>>

(1) 074906018M
control unit for diesel engine
for vehicles with electronic stabilisation program -esp-

F >> 70-1-048 285 / ACV,AUF
F >> 70-1X042 928

(1) 074906018AM
control unit for diesel engine
for vehicles with electronic stabilisation program -esp-

F 70-1-048 286>> / ACV,AUF,AYC
F 70-1X042 929>>

(1) 074906018BG
control unit for diesel engine / deliver.van: / ACV,AUF,AYC// manual gearbox

(1) 074906018BH
control unit for diesel engine / pick-up: / double cab: / ACV,AUF,AYC// manual gearbox

(1) 074906021M
control unit for diesel engine
F >> 70-X-200 000 / AHY

(1) 074906018D
control unit for diesel engine
F 70-Y-000 001>> 70-Y-078 000* / AHY
F 70-YX000 001>> 70-YX070 000*

(1) 074906018N
control unit for diesel engine
F 70-Y-078 001>>*70-Y-200 000 / AHY
F 70-YX070 001>>*70-YX200 000

(1) 074906018AN
control unit for diesel engine
F 70-1-000 001>> / AHY

(1) 074906021S
control unit for diesel engine
F >> 70-X-200 000 / AJT

(1) 074906018B
control unit for diesel engine
F 70-Y-000 001>> 70-1-065 000* / AJT
F 70-YX000 001>> 70-1X058 000*

(1) 074906018AK
control unit for diesel engine
F 70-1-065 001>>*70-1-078 447 / AJT
F 70-1X058 001>>*70-1X071 429

(1) 074906018AK
control unit for diesel engine
F 70-1-078 448>> / bus,
F 70-1X071 430>> / kombi,
/ pick-up: / AJT,AYY
F 70-1-078 448>> / double cab:
F 70-1X071 430>> / PR-5HB,5HC/
/ AJT,AYY

(1) 074906018AP
control unit for diesel engine
F 70-1-078 448>> / pick-up:
F 70-1X071 430>> / AJT,AYY

F 70-1-078 448>> / double cab:
F 70-1X071 430>> / PR-5HA/
/ AJT,AYY

(1) 074906018AJ
control unit for diesel engine / AXG

engine control unit / otto engine

(1) 044906024E
engine control unit / AAC

(1) 021906256AC
engine control unit / AES

(1) 021997256FX
engine control unit / AES
to be used for: / 021 906 256 AC

(1) 023906025C
engine control unit / AET

(1) 023906025E
engine control unit / "MEX":AET

(1) 023906025A
engine control unit / AEU

(1) 022997032BX
engine control unit / AMV:PR-0GE
to be used for: / 022 906 032 C

(1) 022997032JX
engine control unit / AMV:PR-0GV
to be used for: / 022 906 032 AN

(1) 022997032KX
engine control unit / AMV:PR-0GK
to be used for: / 022 906 032 AP

(1) 022906032CM
engine control unit / AMV:PR-0GS

(1) 023906033B
engine control unit / APL:PR-0GE
/ AVT:PR-0GE

(1) 023906033
engine control unit / AVT:PR-0GK

securing parts

1A N 0139681
oval head panel screw / ST4,8X13-C
when installed in vehicle: / 701 905 135 D

1B N 90149502
t-bolt / 5X10
when installed in vehicle: / 701 905 135 D

(2) 701905135D
holder for electr. contr. unit
F >> 70-X-200 000 / ACV

2 7D0905135
holder for electr. contr. unit / AHY,APL,AJT
F 70-Y-000 001>> / ACV,AVT,AUF, / AXG

3 6N0906356
mounting / side / AHY,APL,AJT, / ACV,AVT,AXG

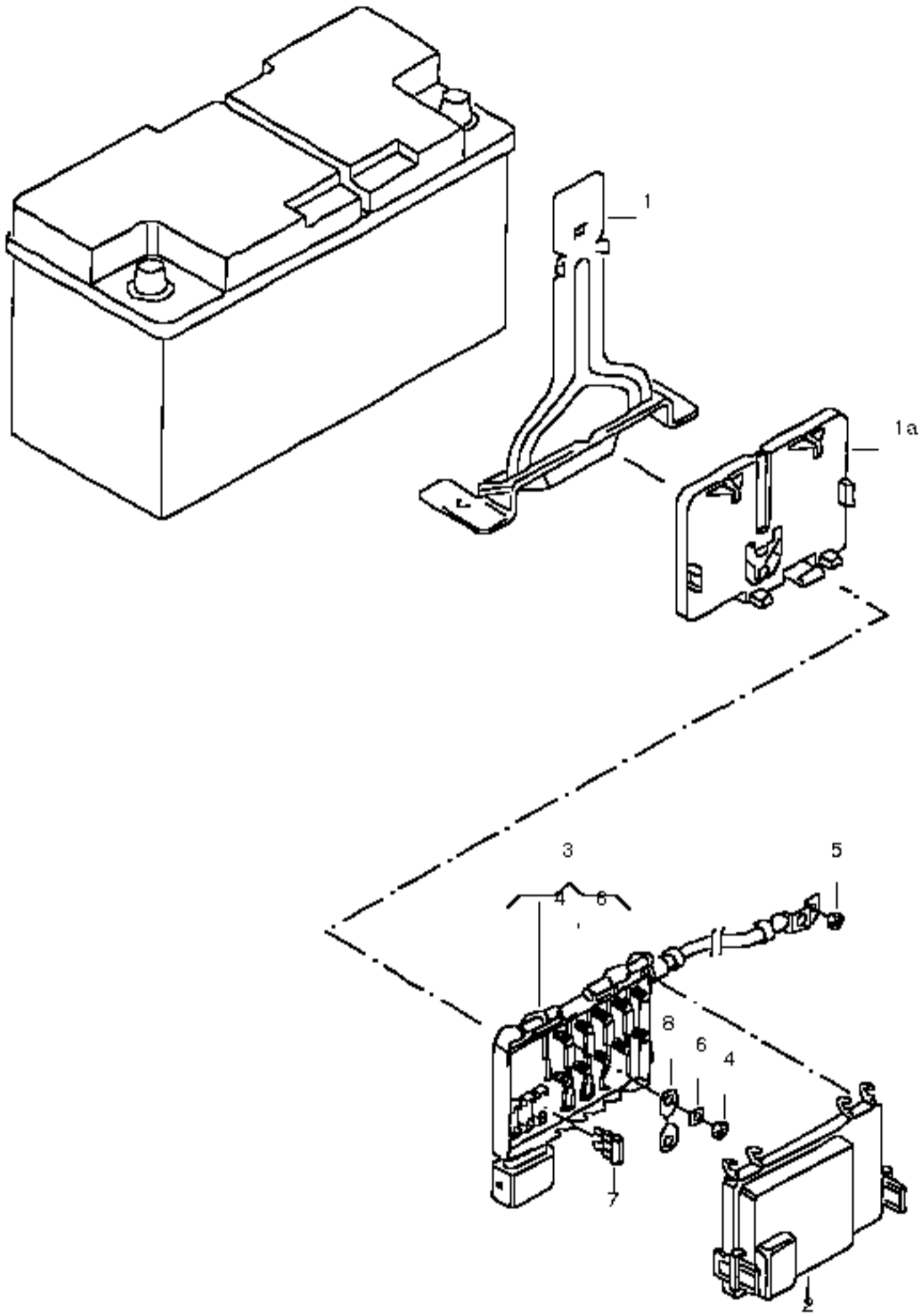
(3) 6N0906356A
mounting / rear / AHY,APL,AJT, / ACV,AVT,AXG

4 N 0138845
hexagon head panel screw / 4,8X13 / AHY,APL,AJT, / ACV,AVT,AXG

5 701905399A
cover for control unit 'tci' and lambda probe

(5) 7D0905399
cover for control unit 'tci' and lambda probe / APL,ACV,AJT, / AHY,AVT

6 191906276
clip / AHY,APL,AJT, / ACV,AVT,AXG



fuse box

(1) 7D0915303A
clamping strip for battery

1A 7D0937509
carrier plate

2 7D0937555A
cover for fuse holder
adapt with workshop equipment

3 7D0937617
fuse holder

4 N 01100624
hexagonal nut / M6

5 N 01100627
hexagonal nut / M6

6 N 0122265
spring washer / B6X12X0,5

7 N 01713120
flat fuse 19/2x5 / 40-orange

8 N 10424901
fuse / A30

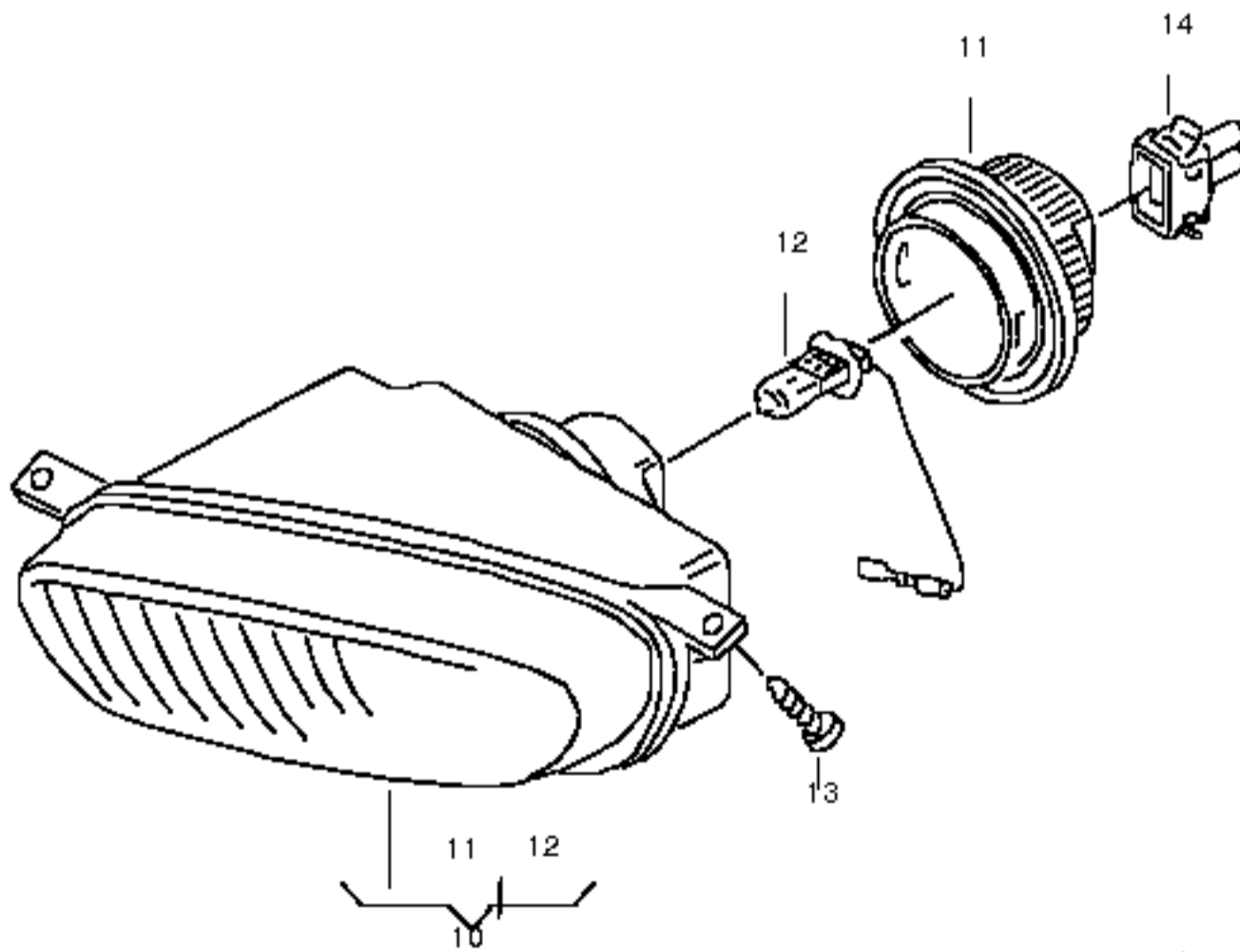
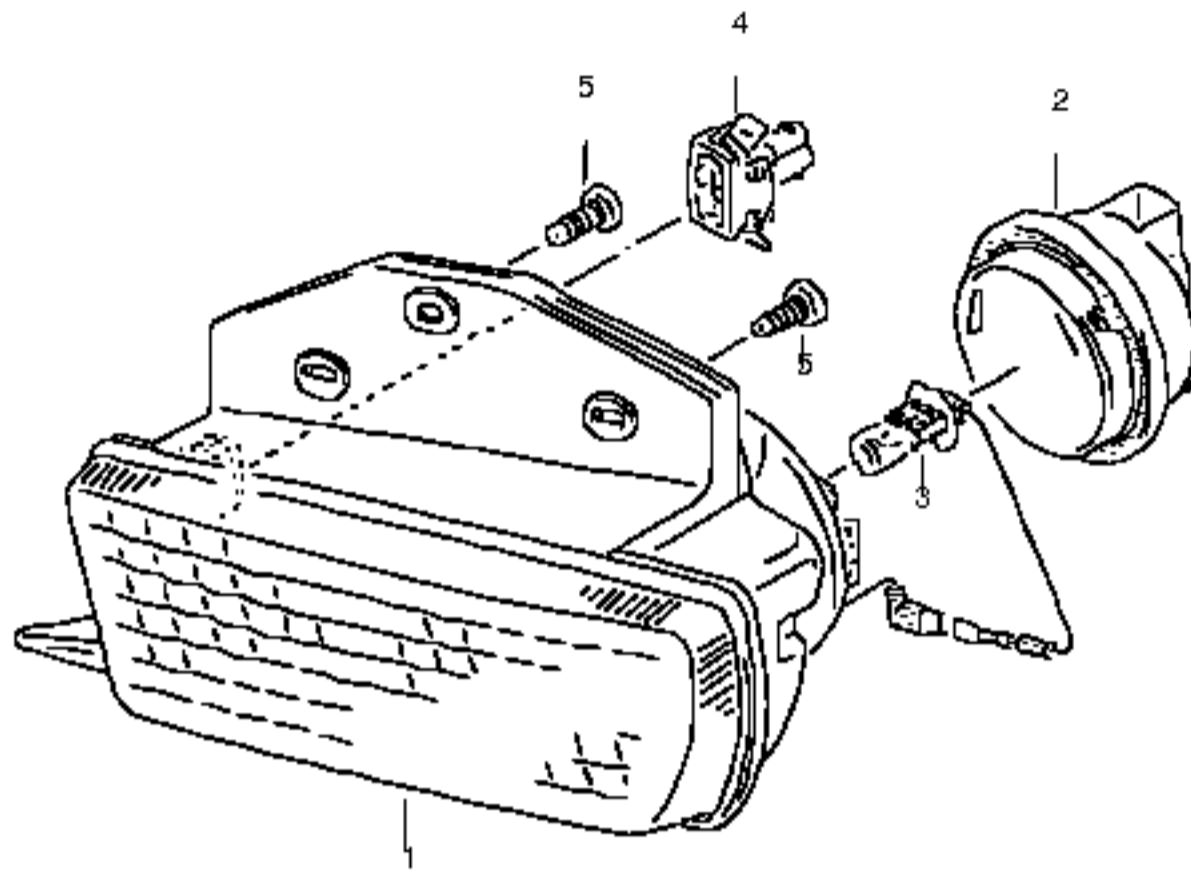
(8) N 10424903
fuse / A50

(8) N 10424905
fuse / A110

(8) N 10424906
fuse / A150

(8) N 10424907
fuse / B175

(8) N 10424908
fuse / B60



halogen fog lamp

(10) 7D0941699C

halogen fog lamp / left

(10) 7D0941700C

halogen fog lamp / right

11 7D0941617A

cap

(11) 7D0941617B

cap / left cover for fog lamp

F 70-X-090 001>>*70-3-060 000

(11) 7D0941617C

cap / left cover for fog lamp

F 70-3-060 001>>

(11) 7D0941618

cap / right cover for fog lamp

F 70-X-090 001>>*70-3-060 000

(11) 7D0941618A

cap / right cover for fog lamp

F 70-3-060 001>>

- 7D0941801

fog lamp mounting / left

- 7D0941804

fog lamp mounting / right

12 N 0177622

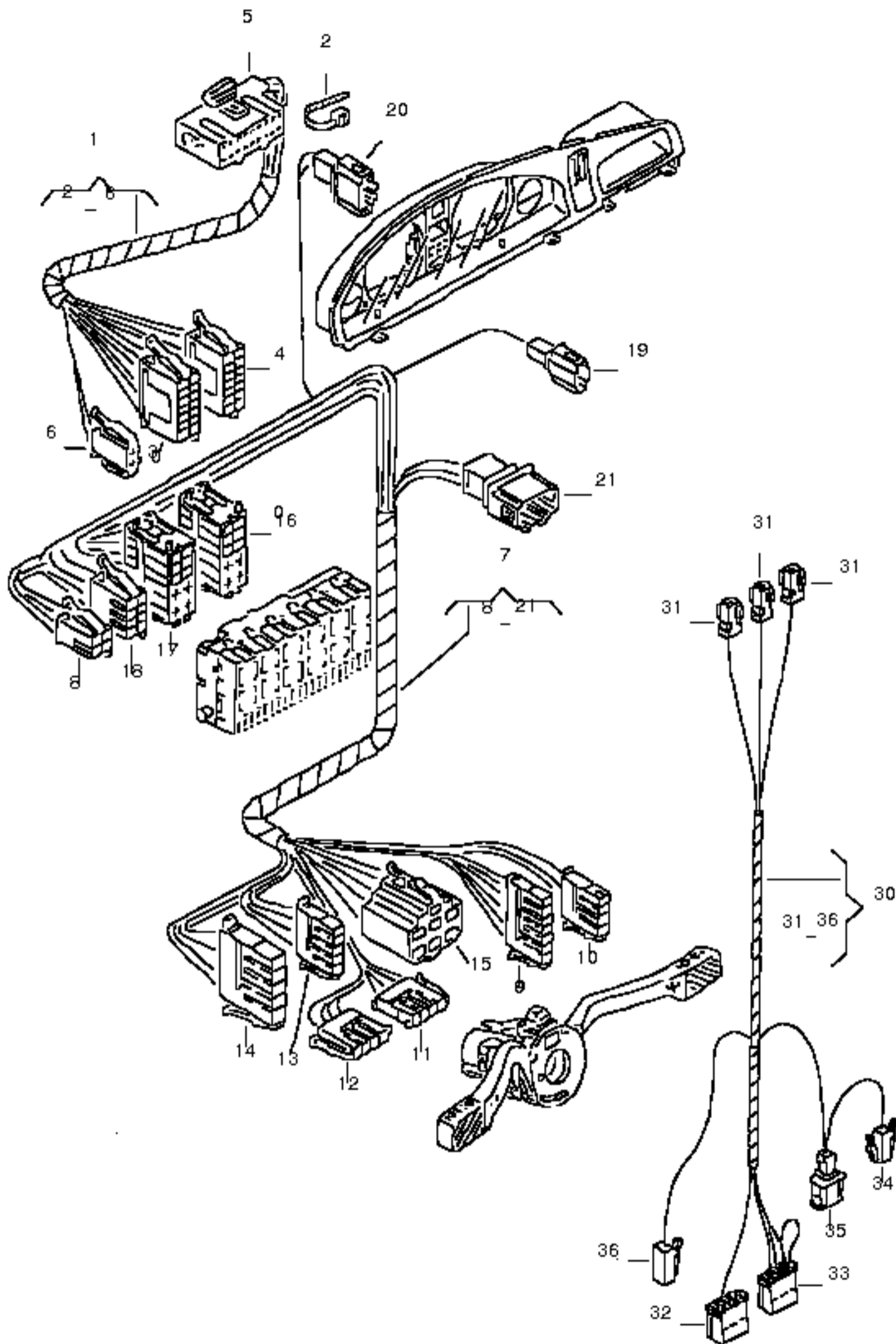
halogen bulb / YC12V55W H3

13 N 90598201

panel screw / 5,8X25

14 357972752

flat contact housing / 2 pin



wiring harness
instrument housing
wiring harness
steering col. combi switch
tachograph wiring harness

wiring harness for instrument housing
F >> 70-X-051 760

(1) 701971051AG
wiring harness / lhd
instrument housing

(1) 7D1971051I
wiring harness / lhd
instrument housing / and brake pad wear display

(1) 701971051AJ
wiring harness / lhd
instrument housing
for vehicles with multi function indicator

(1) 7D1971051B
wiring harness / lhd
instrument housing
for vehicles with multi function indicator / and brake pad wear display

(1) 702971051R
wiring harness / rhd instrument housing

(1) 702971051S
wiring harness / rhd / "J." instrument housing

(1) 702971051T
wiring harness / rhd instrument housing warning lamp for seat belt

wiring harness for instrument housing
F 70-X-051 761 >> 70-Y-200 000

(1) 7D0971051B
wiring harness for instrument housing

for models with anti-lock brake system -abs-

(1) 7D0971051K
wiring harness for instrument housing

for vehicles with electronic stabilisation program -esp-

(1) 7D0971051H
wiring harness for instrument housing

(1) 7D0971051AE
wiring harness for instrument housing / PR-QG1, QG2

(1) 7D0971051AG
wiring harness for instrument housing / PR-QG1, QG2

for models with anti-lock brake system -abs-

wiring harness for instrument housing / PR-QG0

F 70-1-000 001 >> 70-1H048 212
F >> 70-1X047 902

(1) 7D0971051BA
wiring harness for instrument housing

(1) 7D0971051AS
wiring harness for instrument housing

for models with anti-lock brake system -abs-

(1) 7D0971051BC
wiring harness for instrument housing

for vehicles with electronic stabilisation program -esp-

wiring harness for instrument housing

F 70-1H048 213 >> / PR-QG0
F 70-1X047 903 >>

(1) 7D0971051BM
wiring harness for instrument housing

(1) 7D0971051BK
wiring harness for instrument housing

for models with anti-lock brake system -abs-

(1) 7D0971051BP
wiring harness for instrument housing

for vehicles with electronic stabilisation program -esp-

wiring harness for instrument housing

for models with oil level sensor

F 70-1-000 001 >> 70-1H048 212 / PR-QG1, QG2
F >> 70-1X047 902

(1) 7D0971051AL
wiring harness for instrument housing

(1) 7D0971051AN
wiring harness for instrument housing

for models with anti-lock brake system -abs-

wiring harness for instrument housing

for models with oil level sensor

F 70-1H048 213 >> / PR-QG1, QG2
F 70-1X047 903 >>

(1) 7D0971051CA
wiring harness for instrument housing

(1) 7D0971051CC
wiring harness for instrument housing

for models with anti-lock brake system -abs-

wiring harness for instrument housing

for models with electric tachograph

F >> 70-Y-200 000

(1) 7D0971051Q
wiring harness for instrument housing

for models with anti-lock brake system -abs-

(1) 7D0971051R
wiring harness for instrument housing

(1) 7D0971051S
wiring harness for instrument housing

for vehicles with electronic stabilisation program -esp-

(1) 7D0971051AJ
wiring harness for instrument housing / PR-QG1, QG2

(1) 7D0971051AK
wiring harness for instrument housing / PR-QG1, QG2

for models with anti-lock brake system -abs-

wiring harness for instrument housing

for models with electric tachograph

F 70-1-000 001 >> *70-1H048 212 / PR-QG0
F >> 70-1X047 902

(1) 7D0971051BF
wiring harness for instrument housing

(1) 7D0971051BE
wiring harness for instrument housing

for models with anti-lock brake system -abs-

(1) 7D0971051BG
wiring harness for instrument housing

for vehicles with electronic stabilisation program -esp-

wiring harness for instrument housing

for models with electric tachograph

F 70-1H048 213 >> / PR-QG0
F 70-1X047 903 >>

(1) 7D0971051BR
wiring harness for instrument housing

for models with anti-lock brake system -abs-

for models with electric tachograph

(1) 7D0971051BS
wiring harness for instrument housing

for models with electric tachograph

(1) 7D0971051BT
wiring harness for instrument housing

for vehicles with electronic stabilisation program -esp-

for models with electric tachograph

wiring harness for instrument housing

for models with electric tachograph

for models with oil level sensor

F 70-1-000 001 >> 70-1H048 212 / PR-QG1, QG2
F >> 70-1X047 902

(1) 7D0971051BH
wiring harness for instrument housing

(1) 7D0971051BJ
wiring harness for instrument housing

for models with anti-lock brake system -abs-

wiring harness for instrument housing

for models with electric tachograph

for models with oil level sensor

F 70-1H048 213 >> / PR-QG1, QG2
F 70-1X047 903 >>

(1) 7D0971051CG
wiring harness for instrument housing

(1) 7D0971051CH
wiring harness for instrument housing

for models with anti-lock brake system -abs-

single parts

2 N 0209022
cable tie / 6X246

3 357919971D
flat contact housing / 14 pin
connector location: / U1

4 357919971C
flat contact housing / 14 pin
connector location: / U2

5 357972529
flat terminal pin housing / 28 pin

(5) 1H0972529
flat terminal pin housing / 28 pin
F >> 70-Y-200 000 / white

(5) 1H0972530
handle recess
F 70-1-000 001 >>
also use: / 357 972 531

(6) 1J0972702
flat contact housing / 2 pin

(6) 191972701
flat terminal pin housing / 1 pin
coupling piece
harness for engine compartment
connecting part / automatic
gear indicator

(6) 535972711
flat contact housing / 1 pin
coupling piece
wiring harness for anti-lock brakesystem -abs-

(6) 191972712
flat connector housing / 2 pin
coupling piece
wiring harness for dash panel
F >> 70-1-048 212
F >> 70-1X047 902

(6) 1J0972732
flat terminal pin housing / 4 pin
coupling piece
wiring harness for dash panel
F 70-1-048 213 >>
F 70-1X047 903 >>

wiring harness for steering column combination switch
F >> 70-X-051 760

(7) 7D1971063Q
wiring harness / lhd
steering col. combi switch

(7) 7D1971063P
wiring harness / lhd
steering col. combi switch
for vehicles with wipe-wash system for rear window

for vehicles without multi- function indicator

(7) 7D1971063AE
wiring harness / lhd
steering col. combi switch
for models with day driving headlights

(7) 7D1971063AD
wiring harness / lhd
steering col. combi switch
for day driving headlights
for vehicles with wipe-wash system for rear window

for vehicles without multi- function indicator

(7) 7D1971063AJ
wiring harness for steering column combination switch / lhd / ambulance

for models with day driving headlights

(7) 7D1971063AL
wiring harness for steering column combination switch / lhd / ambulance

(7) 7D2971063L
wiring harness / rhd
steering col. combi switch

(7) 7D2971063K
wiring harness / rhd
steering col. combi switch
for vehicles with wipe-wash system for rear window

for vehicles without multi- function indicator

wiring harness for steering column combination switch

F 70-X-051 761 >>

(7) 7D1971063GE
wiring harness for steering column combination switch / lhd

(7) 7D1971063GF
wiring harness for steering column combination switch / lhd

for vehicles with multi function indicator

(7) 7D1971063GN
wiring harness for steering column combination switch / lhd

for models with day driving headlights

(7) 7D1971063GP
wiring harness for steering column combination switch / lhd

for models with day driving headlights

for vehicles with multi function indicator

(7) 7D2971063BK
wiring harness for steering column combination switch / rhd

(7) 7D2971063BL
wiring harness for steering column combination switch / rhd

for vehicles with multi function indicator

wiring harness for steering column combination switch

for vehicles with electronic stabilisation program -esp-

(7) 7D1971063ES
wiring harness for steering column combination switch / lhd

(7) 7D1971063ET
wiring harness for steering column combination switch / lhd

for vehicles with multi function indicator

(7) 7D1971063FG
wiring harness for steering column combination switch / lhd

for day driving headlights

(7) 7D1971063FH
wiring harness for steering column combination switch / lhd

for day driving headlights

for vehicles with multi function indicator

single parts

8 357907968
flat terminal pin housing / 4 pin
connector location: / V

9 1H0953633
flat contact housing / 7 pin

10 1H0953633A
flat contact housing / 4 pin

11 1H0953634
flat contact housing / 4 pin
for models with cruise control system

12 1H0953634A
flat contact housing / 4 pin
for vehicles with multi function indicator

13 1H0953635
flat contact housing / 5 pin
switch for wipers/wash-wipe operation / black
and/or for multi-function indicator
for vehicles with electronic stabilisation program -esp-

14 1H0953637
flat contact housing / 5 pin

15 357953631
flat contact housing / 7 pin

16 357953968
flat contact housing with helper contact catch / 10 pin
connector location: / H1

17 357953968A
flat contact housing with helper contact catch / 10 pin
connector location: / J

18 357953968B
flat contact housing with helper contact catch / 8 pin
connector location: / H2

19 191972711
flat connector housing / 1 pin
connecting part
switch - brake light

(19) 191972723
flat terminal pin housing / 6 pin
connecting part
wiring harness
for additional fan
emergency light switch

20 191972712
flat connector housing / 2 pin
coupling piece
instrument housing

(21) 1J0972732
flat terminal pin housing / 4 pin
connecting part / black
for models with cruise control system

also to be used for: / green

(21) 3B0972722
flat terminal pin housing / 4 pin
for vehicles with electronic stabilisation program -esp-

(21) 191972751
flat contact housing / 1 pin
connecting part
for models with dim-dip headlights

for models with day driving headlights

tachograph wiring harness

(30) 7D1971555D
tachograph wiring harness
F >> 70-X-051 760

30 7D1971555L
tachograph wiring harness
F 70-X-051 761 >> 70-X-200 000
(30) 7D1971555Q
tachograph wiring harness
F 70-Y-000 001 >> 70-Y-200 000

(30) 7D1971555R
tachograph wiring harness
F 70-1-000 001 >>

single parts

(31) 701906231
flat contact housing / 1 pin
connecting part
junction box
F >> 70-X-051 760

31 7D0937701KD
flat contact housing / 1 pin
connecting part
junction box
F 70-X-051 761 >>

(31) 1H0972702A
flat contact housing / 2 pin
connecting part
junction box
F 70-1-000 001 >>

(31) 191972762
flat contact housing / 2 pin
coupling piece
wiring harness
instrument housing
F 70-1-000 001 >>

32 281957897A
flat connector housing / 8 pin
connecting part
tachograph
F >> 70-X-200 000

33 281957897E
flat connector housing / 8 pin
connecting part
tachograph

(33) 281957897C
flat connector housing / 8 pin
connecting part
tachograph
F 70-1-000 001 >>

(33) 4B0973712
flat contact housing with helper contact catch / 4 pin

coupling piece
tachograph wiring harness

sender for vehicle speed
F 70-1-000 001 >>

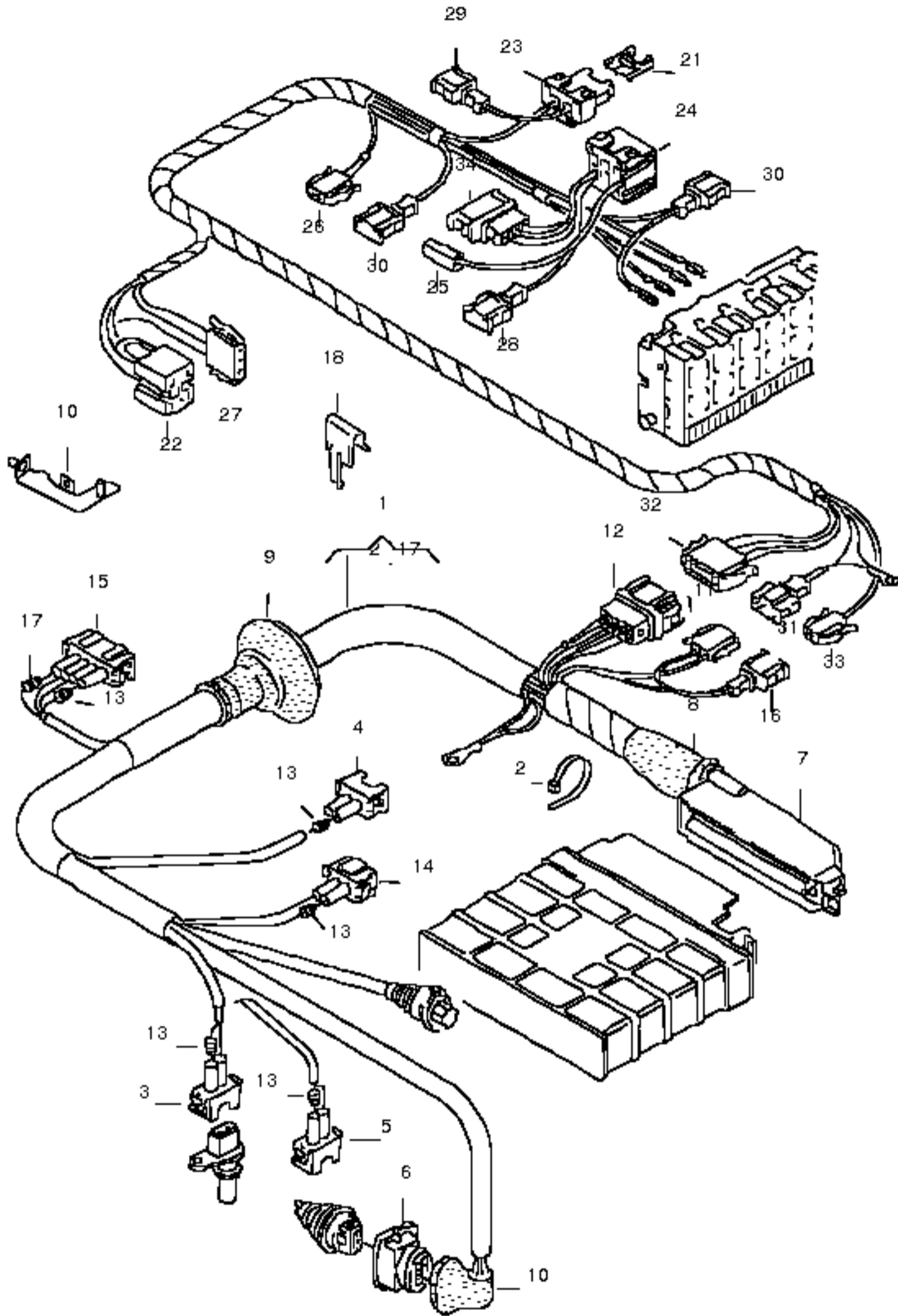
-1E0971921
angled protective cap
connecting part / 4B0 973 712
F 70-1-000 001 >>

34 191972701
flat terminal pin housing / 1 pin
coupling piece
harness for interior light

35 191972711
flat connector housing / 1 pin
connecting part
central electrics
for hand brake control system

36 3A0972751H
flat contact housing / 1 pin
ground connector

-3A0971913A
grommet / 35/10,5



wiring harness for 4-speed automatic gearbox
F >> 70-X-250 000

see list of locally- made looms / see no.:
/ 1-774

(1) 7D1971774AB
wiring harness for 4-speed automatic gearbox / AES,AEU,AET

(1) 7D1971774AC
wiring harness for 4-speed automatic gearbox / AAB,AJA

(1) 7D1971774T
wiring harness for 4-speed automatic gearbox / ACV,AJT

wiring harness for 4-speed automatic gearbox
F 70-Y-000 001>>

(1) 7D1971774AB
wiring harness for 4-speed automatic gearbox / AEU,AET,AES

(1) 7D0971774A
wiring harness for 4-speed automatic gearbox / AUF,AMV,AXK, / AVT,APL,AYC
connecting part
pressure switch
use if required:
self made piece / 972-99 1-176

single parts

(2) 191927397
securing ring
rd. connector sleeve housing
valve body

(2) 1H1971158A
wiring harness
round connector housing
valve body
** see current flow diagram **

(2) N 0209022
cable tie / 6X246

3 037906240
flat contact housing / 2 pin

4 037906240
flat contact housing / 2 pin
full throttle switch

5 037906240
flat contact housing / 2 pin / diesel eng.
speed sensor
engine

(6) 3A0973207A
flat contact housing

(7) 1H0906370J
flat contact housing with gasket / 68 pin

8 191906376A
protective cap / 20,5X11

9 251971905C
grommet / 52X16

10 701971787
retainer / AAB,ACV

connecting part
kick down actuator

(11) 191972701
flat terminal pin housing / 1 pin
coupling piece
wiring harness for anti-lock brakesystem -abs-

(11) 1J0972702
flat contact housing / 2 pin

(12) 191972725
flat terminal pin housing / 10 pin

13 357972741A
single wiring seal / 5,6X7,8
/ red
for wire cross section: / 1,5

(15) 357972753
flat contact housing / 3 pin / diesel eng.
setting lever
potentiometer

17 357972841
plug / 5,6X7,8 / DIGIFANT

(16) 191972763
flat contact housing / 3 pin

(16) 191972733
flat terminal pin housing / 6 pin / ACU
coupling piece
wiring harness for engine

(16) 191972734
flat contact housing / 8 pin
coupling piece
wiring harness for engine

(16) 1J0973802
flat contact housing / 2 pin
coupling piece
wiring harness adapter
switch - brake light

18 7M0971445E
wiring conduit

wiring harness adapter
for 4-speed automatic gearbox
F >> 70-X-050 348*

(20) 7D1971774H
wiring harness adapter / lhd
4 speed automatic gearbox

(20) 7D2971774F
wiring harness adapter / rhd / AAB,AJA
4 speed automatic gearbox

(20) 7D2971774G
wiring harness adapter / rhd / AES,AET,AEU
4 speed automatic gearbox

(20) 7D2971774J
wiring harness adapter / rhd / ACV,AJT
4 speed automatic gearbox

wiring harness adapter
for 4-speed automatic gearbox
F 70-X-050 349>>*

see list of locally- made looms / see no.:
/ 1-774

for vehicles with tachograph

(20) 7D1971774AD
wiring harness adapter / lhd
4 speed automatic gearbox

(20) 7D2971774L
wiring harness adapter / rhd / ACV
4 speed automatic gearbox

(20) 7D2971774N
wiring harness adapter / rhd / AES
4 speed automatic gearbox

(20) 7D2971774R
wiring harness adapter / rhd / APL,AJT
4 speed automatic gearbox

single parts

21 N 01713111
flat fuse 19/2x5 / 10-red

23 1H0937530
fuse box for flat fuses / 2 pin

24 161937501B
relay plate / 9 pin

(25) 3A0972751H
flat contact housing / 1 pin
F >> 70-X-050 348*

(26) 1H0972701
flat contact housing / 1 pin
connecting part
for diagnosis plug

(26) 701906231
flat contact housing / 1 pin
connecting part
junction box
F >> 70-X-050 348*

(26) 7D0937701KD
flat contact housing / 1 pin
connecting part
junction box
F 70-X-050 349>>*

28 191972711
flat connector housing / 1 pin
connecting part
warning lamp

29 191972711
flat connector housing / 1 pin
connecting part
cruise control system

30 191972711
flat connector housing / 1 pin

31 191972712
flat connector housing / 2 pin
coupling piece
wiring harness for 4-speed automatic gearbox

(31) 191972714
flat connector housing / 4 pin
/ rhd

(32) 191972723
flat terminal pin housing / 6 pin / ACU
coupling piece
wiring harness
electronic control unit

(32) 191972724
flat contact housing / 8 pin / AAB,AES,ACU
coupling piece
wiring harness
electronic control unit

(32) 191972734
flat contact housing / 8 pin / ACU
coupling piece
wiring harness
electronic control unit

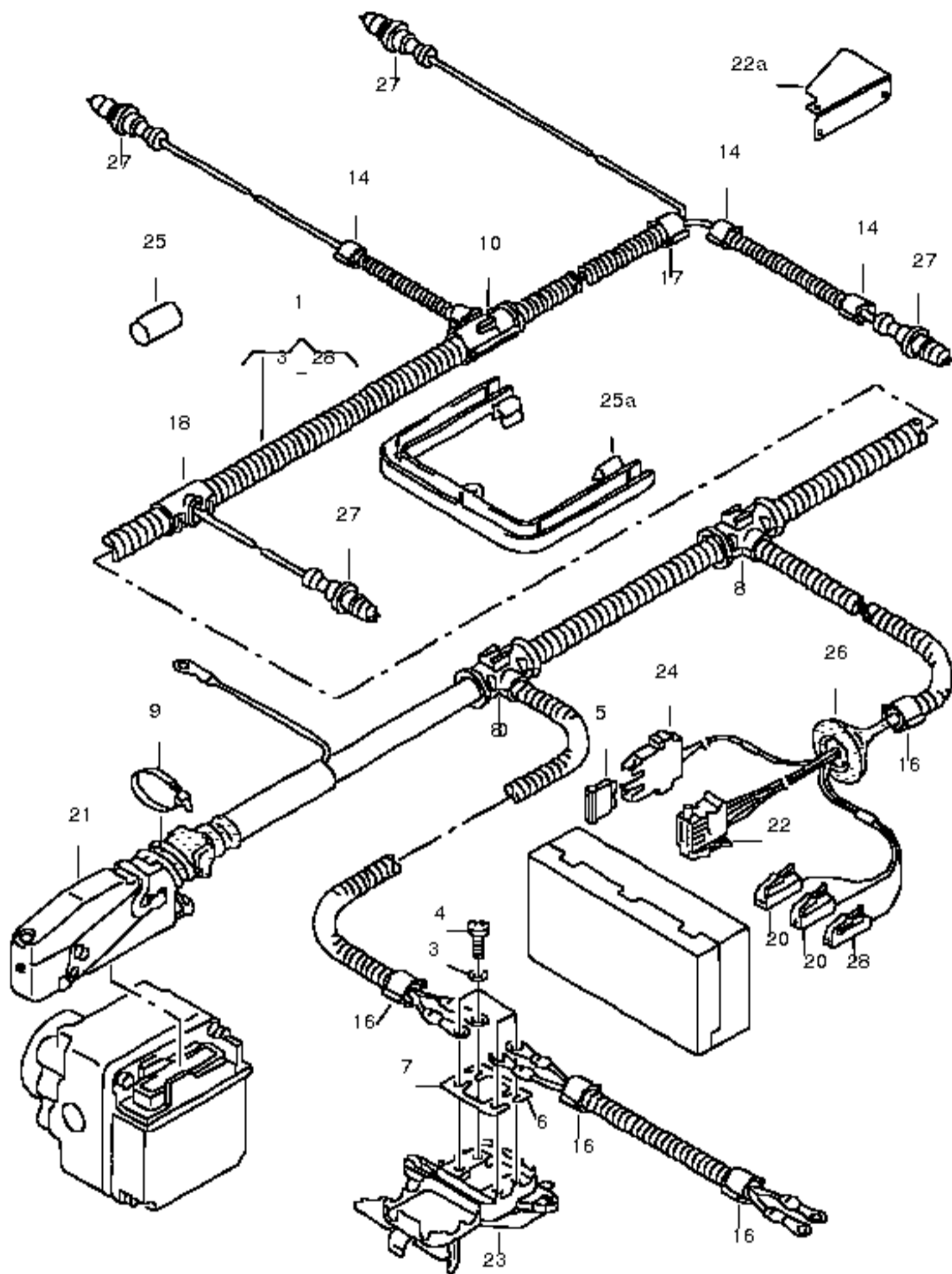
32 191972735
flat terminal pin housing / 10 pin
coupling piece
wiring harness for 4-speed automatic gearbox

(33) 1J0972753
flat contact housing / 3 pin
coupling piece
wiring harness for 4-speed automatic gearbox

(34) 191972762
flat contact housing / 2 pin
coupling piece / lhd
wiring harness for engine

(34) 191972733
flat terminal pin housing / 6 pin
coupling piece / rhd
wiring harness for engine

(34) 1J0972782
flat contact housing / 4 pin
coupling piece / rhd
wiring harness for engine



wiring harness for anti-lock brakesystem -abs-
brake pad wear display / 4 point
wiring harness for anti-lock brakesystem -abs-

F >> 70-X-050 348*

wiring harness for brake pad wear indicator / 2 point / 15" / front and rear / FAHRWERK
wiring harness: rear
see illustration: / 972-82

wiring harness for brake pad wear indicator / 2 point / 15" / front and rear / FAHRWERK
for vehicles with 2nd evaporator

see illustration: / 972-65

brake pad wear display / 4 point / 16"
wiring harness for anti-lock brakesystem -abs- / FAHRWERK

(1) 7D3971279C
wiring harness for anti-lock brakesystem -abs- / lhd / 15" / FAHRWERK
for vehicles with electronic differential lock -edl-

brake pad wear display / 2 point
also use: wiring harness: rear
or wiring harness for electronically regulated air conditioner

(1) 7D1971279E
wiring harness for anti-lock brakesystem -abs- / lhd / 16" / FAHRWERK
for vehicles with electronic differential lock -edl-
/ and brake pad wear display / 4 point

(1) 7D4971279C
wiring harness for anti-lock brakesystem -abs- / rhd / 15" / FAHRWERK
for vehicles with electronic differential lock -edl-

brake pad wear display / 2 point
also use: / front and rear
wiring harness: rear
or wiring harness for electronically regulated air conditioner

wiring harness for anti-lock brakesystem -abs-

F 70-X-050 349>> 70-1-036 120*

wiring harness for brake pad wear indicator / 2 point / 15" / front and rear / FAHRWERK
wiring harness: rear
see illustration: / 972-82

wiring harness for brake pad wear indicator / 2 point / 15" / front and rear / FAHRWERK
for vehicles with 2nd evaporator

see illustration: / 972-65

brake pad wear display / 4 point / 16"
wiring harness for anti-lock brakesystem -abs- / FAHRWERK

(1) 7D3971279P
wiring harness for anti-lock brakesystem -abs- / lhd / 15" / FAHRWERK
for vehicles with electronic differential lock -edl-

brake pad wear display / 2 point
also use: / front and rear
wiring harness: rear
or wiring harness for electronically regulated air conditioner

(1) 7D4971279J
wiring harness for anti-lock brakesystem -abs- / rhd

for vehicles with electronic differential lock -edl-

brake pad wear display / 2 point
also use: / front and rear
wiring harness: rear
or wiring harness for electronically regulated air conditioner

(1) 7D4971279N
wiring harness for anti-lock brakesystem -abs- / rhd / 16" / FAHRWERK
for vehicles with electronic differential lock -edl-
/ and brake pad wear display / 4 point

(1) 7D1971279AC
wiring harness for anti-lock brakesystem -abs- / lhd / 16" / FAHRWERK
for vehicles with electronic differential lock -edl-
/ and brake pad wear display / 4 point
wheelbase: / 2920 MM

(1) 7D3971279R
wiring harness for anti-lock brakesystem -abs- / 16" / FAHRWERK
for vehicles with electronic differential lock -edl-
/ and brake pad wear display / 4 point
wheelbase: / 3325 MM
F 70-Y-024 455>>* / lhd
F 70-YX015 518>>*

(1) 7D3971279S
wiring harness for anti-lock brakesystem -abs- / lhd / 15" / FAHRWERK
for vehicles with electronic differential lock -edl-

electronic stabilization program -esp-

brake pad wear display / 2 point
also use: / front and rear
wiring harness: rear
or wiring harness for electronic- ally regulated air conditioner

(1) 7D1971279AF
wiring harness for anti-lock brakesystem -abs- / lhd / 16" / FAHRWERK
for vehicles with electronic differential lock -edl-

electronic stabilization program -esp-

brake pad wear display / 4 point
wheelbase: / 2920 MM

(1) 7D1971279AP
wiring harness for anti-lock brakesystem -abs- / lhd / 16" / FAHRWERK
for vehicles with electronic differential lock -edl-

electronic stabilization program -esp-

brake pad wear display / 4 point
wheelbase: / 3325 MM

wiring harness for anti-lock brakesystem -abs-

F 70-1-036 121>>*

wiring harness for brake pad wear indicator / 2 point / 15" / front and rear / FAHRWERK
see illustration: / 972-82

wiring harness for brake pad wear indicator / 2 point / 15" / front and rear / FAHRWERK
for vehicles with 2nd evaporator

see illustration: / 972-65

brake pad wear display / 4 point / 16"
wiring harness for anti-lock brakesystem -abs- / FAHRWERK

(1) 7D3971279AC
wiring harness for anti-lock brakesystem -abs- / lhd / 15" / FAHRWERK
for vehicles with electronic differential lock -edl-

brake pad wear display / 2 point
also use: / front and rear
wiring harness: rear

(1) 7D3971279AE
wiring harness for anti-lock brakesystem -abs- / lhd / 16" / FAHRWERK
for vehicles with electronic differential lock -edl-
/ and brake pad wear display / 4 point

(1) 7D4971279S
wiring harness for anti-lock brakesystem -abs- / rhd / 15" / FAHRWERK
for vehicles with electronic differential lock -edl-

brake pad wear display / 2 point
also use: / front and rear
wiring harness: rear

(1) 7D4971279AA
wiring harness for anti-lock brakesystem -abs- / rhd / 16" / FAHRWERK
for vehicles with electronic differential lock -edl-
/ and brake pad wear display / 4 point

(1) 7D3971279S
wiring harness for anti-lock brakesystem -abs- / lhd / 15" / FAHRWERK
for vehicles with electronic differential lock -edl-

electronic stabilization program -esp-

brake pad wear display / 2 point
also use: / front and rear
wiring harness: rear
or wiring harness for electronically regulated air conditioner

(1) 7D1971279AF
wiring harness for anti-lock brakesystem -abs- / lhd / 16" / FAHRWERK
for vehicles with electronic differential lock -edl-

electronic stabilization program -esp-

brake pad wear display / 4 point
wheelbase: / 2920 MM

(1) 7D1971279AP
wiring harness for anti-lock brakesystem -abs- / lhd / 16" / FAHRWERK
for vehicles with electronic differential lock -edl-

electronic stabilization program -esp-

brake pad wear display / 4 point
wheelbase: / 3325 MM

see list of locally- made looms / see no.:
/ 1-279

single parts

3 N 0122253
spring washer / B5X11X0,5
F >> 70-X-050 348*

- N 10311304
insulating tape / 0,15X19X10000

4 N 01412811
fillister hd. bolt / M5X8
F >> 70-X-050 348*

5 N 01713111
flat fuse 19/2x5 / 10-red

6 N 0171252
fuse / B30
F >> 70-X-050 348*

7 N 0171251
fuse / B50
F >> 70-X-050 348*

8 N 90669501
corrugated pipe t piece / 17-17-10

9 N 0209022
cable tie / 6X246

10 N 90680201
distributor / 17-13-7,5

14 N 90682001
corrugated pipe end piece / 7,5

16 N 90682101
corrugated pipe end piece / 10 / AES

17 N 90682201
corrugated pipe end piece / 13

18 N 90702101
connecting piece . / 17-17-8,5

20 701906231
flat contact housing / 1 pin
connecting part
junction box
F >> 70-X-050 348*

(20) 7D0937701KD
flat contact housing / 1 pin
connecting part
junction box
F 70-X-050 349>>*

(20) 1J0937733
flat contact housing with helper contact catch / 10 pin
/ black
coupling piece / violet
control unit for electronic stabilization program -esp- / green

(20) 1J0937733A
flat contact housing with helper contact catch / 10 pin
/ brown
coupling piece / grey
control unit for electronic stabilization program -esp-

21 7D0907495
flat contact housing / 40 pin
connecting part
electronic control unit for anti-locking brake system-abs-

(21) 4D0971966A
flat contact housing with helper contact catch / 31 pin

connecting part
electronic control unit for anti-locking brake system-abs-

for vehicles with electronic differential lock -edl-

(21) 8D0971943
rd. connector sleeve housing / 15 pin
connecting part
abs unit

for vehicles with electronic stabilization program -esp-

22 357907968A
flat contact housing / 6 pin
connecting part
central electrics / lhd

22A 7D0937503
retainer
fuse box
F >> 70-X-050 348*

23 281937505A
fuse box without fuses

F >> 70-X-050 348*

24 701937530
fuse box for flat fuses / lhd

25 443955665
connecting hose

25A 7D0971341A
wiring conduit
for models with anti-lock brake system and electronic differential lock -abs/edl-

26 1H0971913C
grommet

27 331971414
wiring harness for speed sensor

(26) 7D0971848E
cable holder / 17/6
wiring harness for brake pad wear indicator

(26) 7D0971898
cable holder
coupling piece
longitudinal member

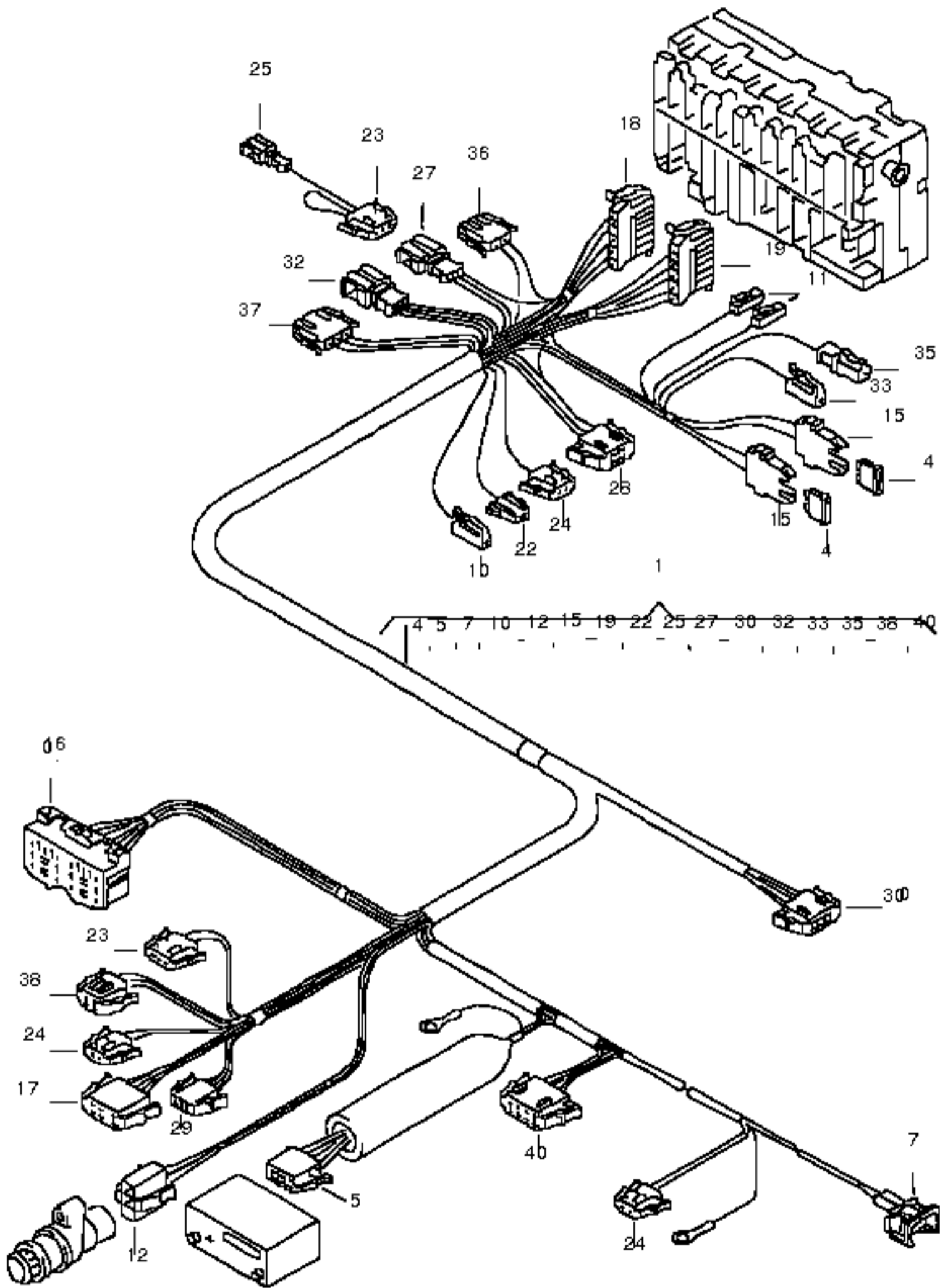
28 1H0972701
flat contact housing / 1 pin
connecting part
diagnose connector strip / lhd

(28) 191972701
flat terminal pin housing / 1 pin
connecting part
diagnose connector strip

(28) 1J0972722
flat terminal pin housing / 4 pin
coupling piece
wiring harness adapter
ABS / rhd

(28) 191972772
flat contact housing / 4 pin
coupling piece
control unit for electronic stabilization program -esp-

(28) 1J0973702
flat connector housing / 2 pin
connecting part / black
brake pad wear display



harness for air conditioner
 harness for air conditioner
 dashboard
 F >> 70-X-050 348*

see list of locally- made looms / see no.:
 / 1-495

1 701971565CH
 harness for air conditioner

single parts

4 N 01713115
 flat fuse 19/2x5 / 30-light green
 / AMP

5 357035447
 flat contact housing / 8 pin
 radio / black

7 037906240
 flat contact housing / 2 pin
 connecting part
 by-pass air cut-off valve

10 701906231
 flat contact housing / 1 pin
 connecting part
 junction box

11 357907971B
 flat terminal pin housing / 1 pin
 connector location: / U2,Y

12 191919321
 flat contact housing / 3 pin
 cigarette lighter

15 701937530
 fuse box for flat fuses

16 357937501
 relay plate / 18 pin
 for vehicles with 2nd heat exchanger

17 357959545
 flat terminal pin housing / 6 pin

18 357959968
 flat contact housing with helper contact catch / 6 pin

connector location: / Q

19 357959968B
 flat contact housing with helper contact catch / 6 pin

connector location: / N

22 535972701
 flat contact housing / 1 pin

(23) 1J0972924
 flat contact housing / 3 pin

(24) 1J0972702
 flat contact housing / 2 pin
 connecting part
 wiring harness for electric fan

glove box light
 for selector lever lighting

25 191972711
 flat connector housing / 1 pin
 coupling piece
 wiring harness for engine

27 191972713
 flat connector housing / 3 pin

28 191972723
 flat terminal pin housing / 6 pin
 connecting part
 wiring harness for electric fan

29 535972723A
 flat contact housing / 6 pin
 connecting part
 switch for fresh or recirculated air selection

30 191972724
 flat contact housing / 8 pin
 connecting part
 emergency light switch

32 191972733
 flat terminal pin housing / 6 pin
 connecting part
 wiring harness for steering column combination switch

33 3A0972751H
 flat contact housing / 1 pin
 connecting part
 junction box

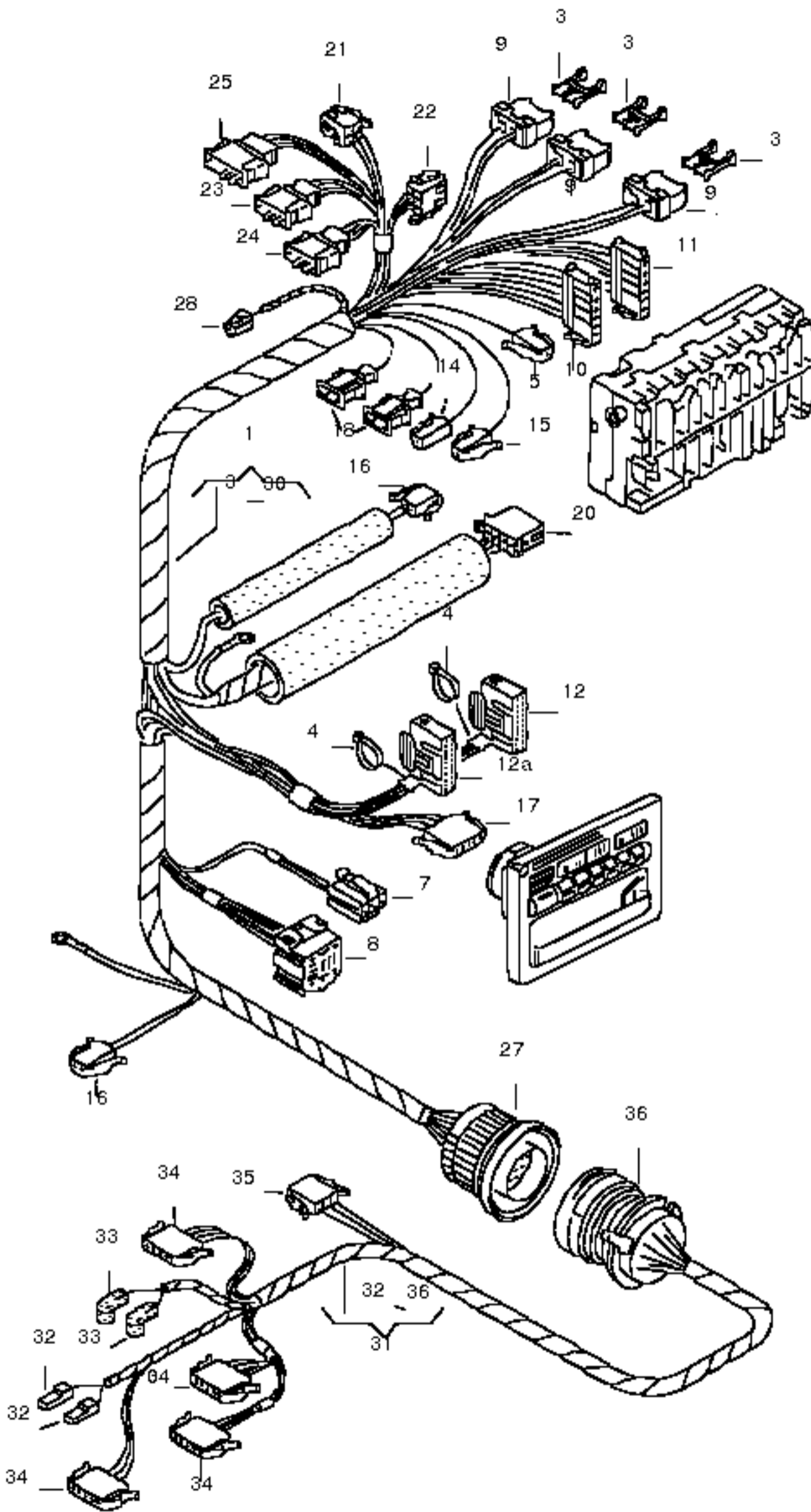
35 3A0972761H
 flat contact housing / 1 pin
 coupling piece
 wiring harness for automatic gearbox

36 1J0972752
 flat contact housing / 2 pin
 coupling piece
 for vehicles with passenger comp. ventilation

37 1J0972753
 flat contact housing / 3 pin
 connecting part
 wiring harness: rear
 for vehicles with 2nd heat exchanger

38 191972772
 flat contact housing / 4 pin
 connecting part
 switch
 for vehicles with 2nd heat exchanger

40 1J0972774
 flat contact housing / 8 pin
 coupling piece
 harness for air conditioner



wiring harness for air conditioner operation
wiring harness for blower
for vehicles with electronically regulated air condit.
wiring harness for air conditioner operation
dashboard
F >> 70-X-050 348*

(1) 7D0971565Q
wiring harness for air conditioner operation

single parts
connecting part
radio

- N 10311304
insulating tape / 0,15X19X10000

3 N 01713115
flat fuse 19/2x5 / 30-light green

4 N 0209022
cable tie / 6X246

(5) 701906231
flat contact housing / 1 pin
connecting part
junction box

5 357907971B
flat terminal pin housing / 1 pin
connecting part
for fuse box/relay plate

7 191919321
flat contact housing / 3 pin

8 161937501B
relay plate / 9 pin

9 701937530
fuse box for flat fuses

10 357959968
flat contact housing with helper contact catch / 6 pin

connecting part
for fuse box/relay plate

11 357959968B
flat contact housing with helper contact catch / 6 pin

connecting part
for fuse box/relay plate

(11) 535972701
flat contact housing / 1 pin

12 1H0972529
flat terminal pin housing / 28 pin
connecting part
control unit for air condit.

12A 357972529
flat terminal pin housing / 28 pin
connecting part
control unit for air condit.

14 1H0972701
flat contact housing / 1 pin
connecting part
for diagnosis plug

15 191972701
flat terminal pin housing / 1 pin
coupling piece
wiring harness for engine

(16) 1J0972702
flat contact housing / 2 pin
coupling piece
wiring harness for dash panel
connecting part
cigarette lighter

17 191972705
flat terminal pin housing / 5 pin
connecting part
control unit for air condit.

18 191972711
flat connector housing / 1 pin
coupling piece
wiring harness for engine

(18) 191972713
flat connector housing / 3 pin
coupling piece
wiring harness for engine

(18) 535972711
flat contact housing / 1 pin
connecting part
for switching off air conditioner

21 1J0972722
flat terminal pin housing / 4 pin
coupling piece
harness for engine compartment

(21) 191972724
flat contact housing / 8 pin
connecting part
emergency light switch

22 191972723
flat terminal pin housing / 6 pin
coupling piece
wiring harness for electronically regulated air conditioner / rear

(23) 191972724
flat contact housing / 6 pin
coupling piece
wiring harness for electronically regulated air conditioner / rear
wiring harness for steering column combination switch

(23) 191972733
flat terminal pin housing / 6 pin
coupling piece
wiring harness for dash panel

24 191972734
flat contact housing / 8 pin
coupling piece
harness for engine compartment

25 1J0972782
flat contact housing / 4 pin
coupling piece
harness for engine compartment

27 3A0973103
flat connector housing / 24 pin
coupling piece
wiring harness for blower

(28) 1J0973115
flat contact housing / 3 pin
connecting part
sun sensor

30 357035447
flat contact housing / 8 pin
connecting part
radio

wiring harness for blower

31 701972299A
wiring harness for blower / lhd
for vehicles with electronically regulated air condit.

(31) 7D2972299
wiring harness for blower / rhd
for vehicles with electronically regulated air condit.

single parts

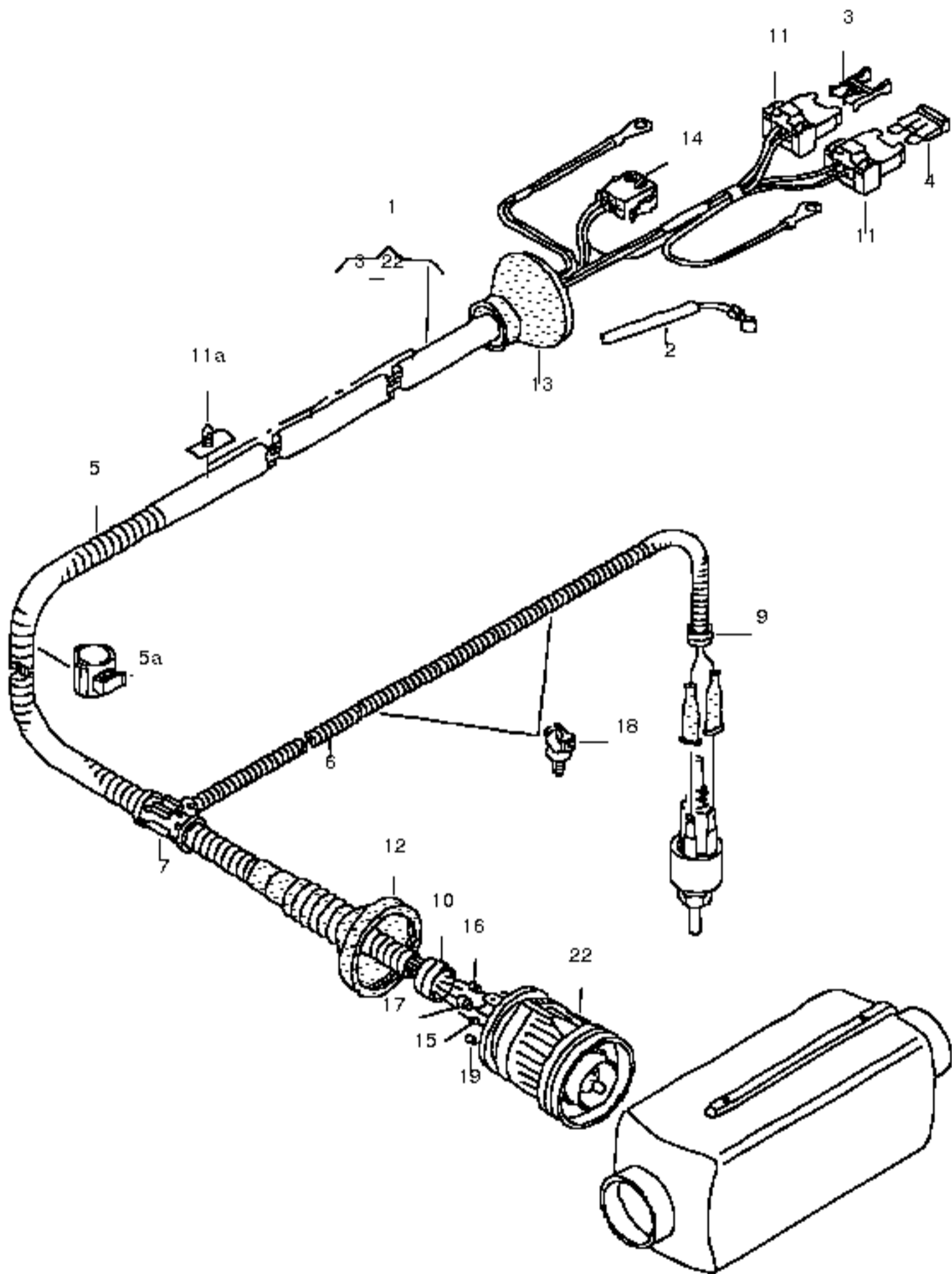
32 111971921B
flat terminal pin housing / 1 pin
connecting part
thermostat

33 211971921
angled connector housing / 1 pin
connecting part
electric fan motor

34 191972705
flat terminal pin housing / 5 pin
connecting part
flap box for heating and ventilation, blower

35 1J0972753
flat contact housing / 3 pin
connecting part
blower control

36 3A0973131
flat connector housing / 24 pin
coupling piece
wiring harness for dash panel



wiring harness for auxiliary heater
 wiring harness for auxiliary heater / B3L/D3L
 room temperature regulator
 heater unit
 wiring harness for auxiliary heater
 / inner
 see illustration: / 261-29

(1) 703971478F
 wiring harness for auxiliary heater / camp- mobile

(1) 7D3971478D
 wiring harness for auxiliary heater / double cab

wiring harness adapter
 heater unit

(1) 7D2971478C
 wiring harness for auxiliary heater

wiring harness adapter
 dashboard
 heater unit

F >> 70-X-050 348

(1) 7D2971478M
 wiring harness for auxiliary heater / B/D3L

wiring harness adapter
 dashboard
 heater unit

F 70-X-050 349>>*

- 7D1971478H
 wiring harness for additional heater

clock

F 70-X-050 349>>

see list of locally- made looms / see no.:
 / 1-478

single parts

3 N 01713114
 flat fuse 19/2x5 / 25-natural.col

4 N 01713116
 flat fuse 19/2x5 / 5-light brown

(5) N 90773601
 corrugated pipe in coils of 5m 'order unit 5' / 13

(5A) 4B0971848
 cable holder / 6MM

- N 10311304
 insulating tape / 0,15X19

6 N 90633222
 corrugated pipe in coils of 5m 'order unit 5' / 7,5

7 N 90669301
 corrugated pipe t piece / 13-7,5-13

9 N 90682001
 corrugated pipe end piece / 7,5

10 N 90682201
 corrugated pipe end piece / 13

11 1H0937530
 fuse box for flat fuses / 2 pin

- 7D0937701KD
 flat contact housing / 1 pin / double cab

connecting part
 diagnose connector strip

12 1H0971840A
 grommet / 52,3/17

- 4B0971848
 cable holder

13 357971905E
 grommet / 46/16

14 191972723
 flat terminal pin housing / 6 pin

coupling piece
 wiring harness
 for digital clock

F >> 70-X-050 348*

(14) 1J0972774
 flat contact housing / 8 pin

coupling piece
 wiring harness
 digital clock

F 70-X-050 349>>*

(14) 1J0972732
 flat terminal pin housing / 4 pin / double cab

connecting part
 for diagnosis plug

15 357972740D
 single wiring seal / 3,9X7,8

/ grey
 for wire cross section: / 0,5-1,0

16 357972741B
 single wiring seal / 5,6X7,8

/ yellow orange
 for wire cross section: / 2,5

17 357972742B
 single wiring seal / 9,0X7,8

/ red
 for wire cross section: / 2,5

(18) N 90666101
 cable tie / 4,5X200

corrugated pipe

(19) 4B0972840
 plug / 4,0X7,8

/ white

22 1H0973103C
 flat connector housing / 12 pin

connecting part
 heater unit

(22) 1H0973131C
 flat connector housing / 12 pin

coupling piece
 heater unit

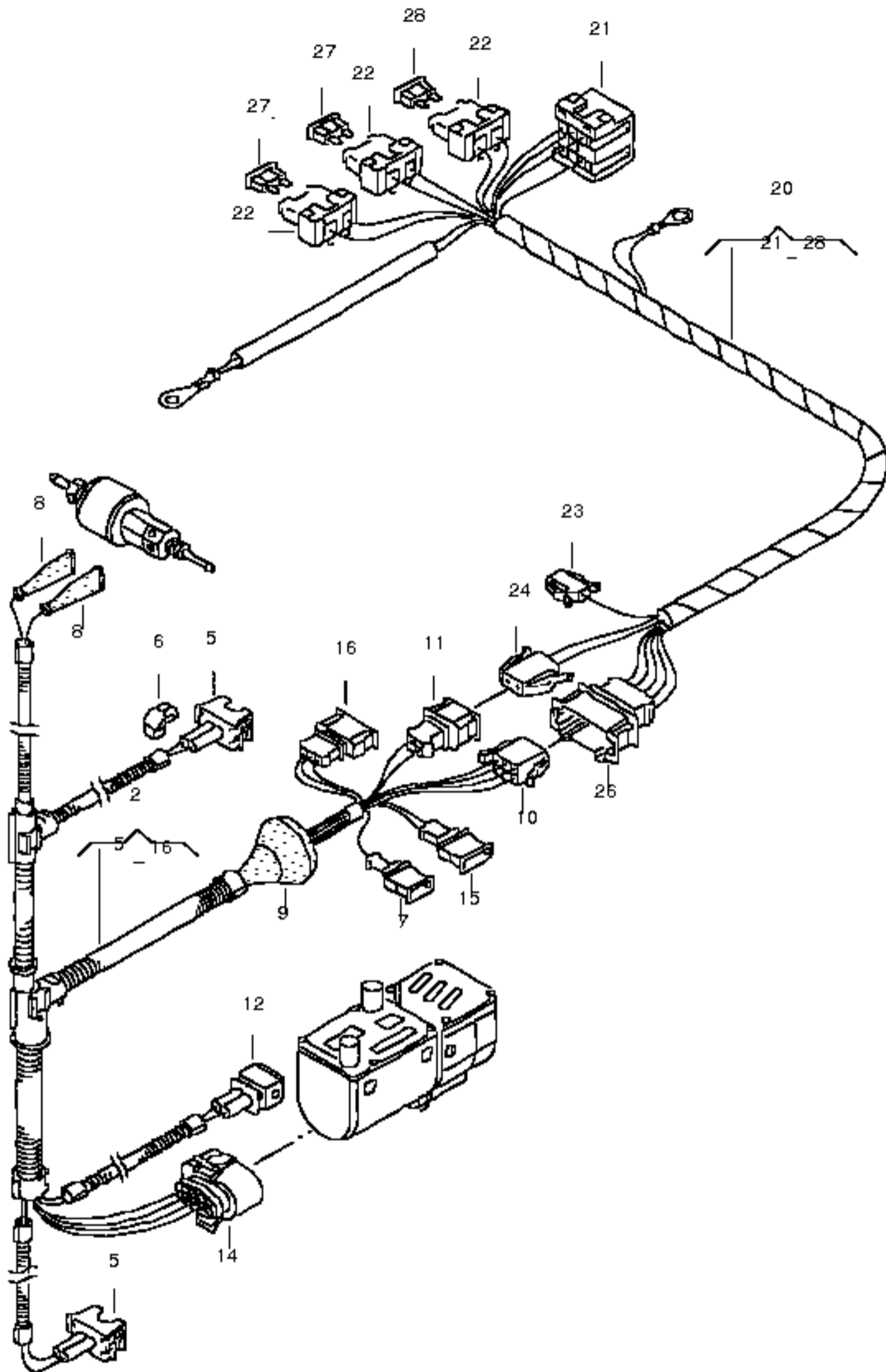
- 1H0973132
 ring / 49,8X11,8

(22) 7D0963997
 flat contact housing / 12 pin / double cab

connecting part
 heater unit
 wiring harness adapter

heater unit / inner

see illustration: / 261-29



wiring harness for auxiliary heater / B4W/D4W
room temperature regulator
heater unit
wiring harness for auxiliary heater / B4W/D4W
room temperature regulator
heater unit

2 7D1971478F
wiring harness for auxiliary heater / lhd

wiring harness adapter
heater unit
dashboard
F >> 70-X-050 349*

(2) 7D1971478R
wiring harness for auxiliary heater / lhd / AET,AEU,AJT, / AHY
wiring harness adapter
heater unit
dashboard
F 70-X-050 349>>*

single parts

5 037906240
flat contact housing / 2 pin
valve
heat exchanger

6 357906732A
angled protective cap / 2 pin

7 535972711
flat contact housing / 1 pin
junction box
F >> 70-X-050 348*

(7) 7D0937701KD
flat contact housing / 1 pin
junction box
F 70-X-050 349>>*

8 443971867
grommet / 8,5

9 171971905B
grommet / 33,5/6

10 191972723
flat terminal pin housing / 6 pin
coupling piece
wiring harness adapter
auxiliary heater
F >> 70-X-050 348*

(10) 1J0972774
flat contact housing / 8 pin
coupling piece
wiring harness adapter

11 191972762
flat contact housing / 2 pin
coupling piece
heater unit

12 357972762
flat connector housing / 2 pin
heater unit

14 3A0973734
flat contact housing / 8 pin / ecomatic
connecting part / 1,0
heater unit / 1,0

15 535972712
flat contact housing / 2 pin
coupling piece
wiring harness
for headlamps

16 191972713
flat connector housing / 3 pin
coupling piece / 1,0
wiring harness for dash panel / 2,5

wiring harness for auxiliary heater

wiring harness adapter
heater unit
dashboard

(20) 7D0971478
wiring harness for additional heater / B/D4W

wiring harness adapter
seat box
dashboard
F >> 70-X-050 348

20 7D0971478A
wiring harness for additional heater / B/D4W

wiring harness adapter
seat box
dashboard
F 70-X-050 349>>>

single parts

21 161937501B
relay plate / 9 pin

22 1H0937530
fuse box for flat fuses / 2 pin

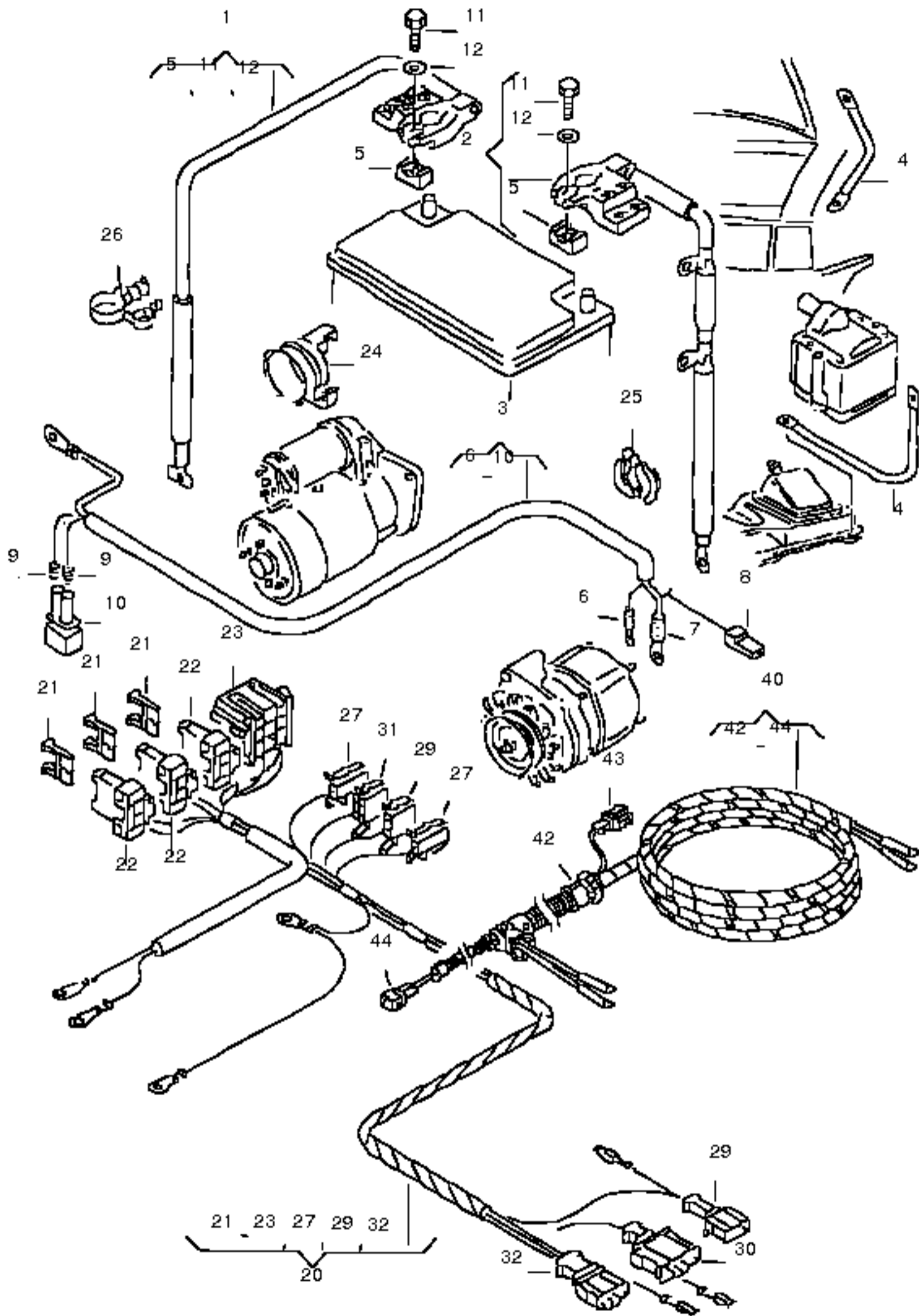
23 191972701
flat terminal pin housing / 1 pin
connecting part
electric fan motor

24 1J0972752
flat contact housing / 2 pin
connecting part
heater unit

26 191972784
flat contact housing / 8 pin
connecting part
heater unit

27 N 01713115
flat fuse 19/2x5 / 30-light green

28 N 01713116
flat fuse 19/2x5



wiring harnesses for battery and alternator
ground strap
F >> 70-X-050 348*

(1) 7D1971228A
wiring harness for battery + / 720MM

(2) 701971235D
wiring harness for battery - / 780MM

(3) 7D0971349E
wiring harness for alternator / 90A/120A

use if required: / 357 972 761

(3) 7D0971349L
wiring harness for alternator / 150A / AES

(3) 7D0971349M
wiring harness for alternator / 150A / diesel eng.:
/ automatic

(3) 7D0971349P
wiring harness for alternator / 120A / diesel eng.

wiring harnesses for battery and alternator

ground strap
F 70-X-050 349>>*

(1) 7D1971228A
wiring harness for battery + / 720MM

(1) 7D0971228
wiring harness for battery + / 660MM / AMV

(2) 701971235D
wiring harness for battery - / 780MM

(3) 7D0971349BN
wiring harness for alternator / AAB,AJA,ABL

(3) 7D0971349BR
wiring harness for alternator / 90A/120A / AVT,AET,AEU / AAC,APL

(3) 7D0971349CB
wiring harness for alternator / 90A/120A / ACV,AJT,AHY

(3) 7D0971349CC
wiring harness for alternator / 150A / AES

(3) 7D0971349CF
wiring harness for alternator / 90/120 A / AJT,AYY,ACV, / AUF,AYC,APL
single wiring / AVP,AXL,AHY,
alternator / AXG,AJT,AVT,
fuse holder / AMV

(3) 7D0971349CF
wiring harness for alternator / 150 A / AMV

single wiring
alternator
fuse holder

(3) 7D0971349DH
wiring harness for alternator / 150 A / AJT,AYY,ACV, / AUF,AYC,APL
single wiring / AVP,AXL,AHY,
alternator / AXG,AJT,AVT,
fuse box / AMV

single parts

wiring harness adapter
alternator
see list of locally- made looms / 972-99
/ 0-067

(4) 7D0971067D
wiring harness adapter / for: / automatic
alternator / 150A / ACV,AES,AMV
for models with automatic climatic control

(4) 7D0971067C
wiring harness adapter / for: / automatic
alternator / 150A / ACV,AMV

4 533971537
ground strap

(5) 701915138A
clamping piece
clamping nut

(5) 3A0915138
clamping piece / 19MM

(5) 6X0915138
clamping piece / 22MM

6 803971892
grommet / 3X25

7 443955665
connecting hose / 4X30

(8) 037906240
flat contact housing / 2 pin
connecting part
alternator

F >> 70-X-050 348*

(8) 1J0973772
flat connector housing with additional contact catch / 2 pin

connecting part
alternator
F 70-X-050 349>>*

9 357972741
single wiring seal / 5,6X7,8
/ blue
for wire cross section: / 1,0

(10) 357972761
flat contact housing / 1 pin / AAC,AFS,ACU

10 357972762
flat connector housing / 2 pin / AAB,ACV

(10) 1J0973772
flat connector housing with additional contact catch / 2 pin

connecting part
alternator
F 70-X-050 349>>*

(10) 1J0973701
flat contact housing / 1 pin
connecting part
alternator

for models with revolution counter
F 70-X-050 349>>*

(11) N 01021226
hexagonal head bolt / M6X12

11 N 01021527
hexagonal head bolt / M6X15

(11) N 01100627
hexagonal nut / M6

12 N 0115572
washer / 6,4X11X1,6

wiring harness
for 2. battery

(20) 701971343H
wiring harness
for 2. battery
F >> 70-X-050 348*

(20) 7D1971343
wiring harness
for 2. battery
F 70-X-050 349>> 70-Y-066 000
F 70-X-050 349>> 70-Y-048 000

(20) 7D1971343A
wiring harness / emer.service vehicles
for 2. battery
for vehicles with auxiliary heater / BMI

F 70-X-050 349>> 70-Y-066 000
F 70-X-050 349>> 70-YX048 000

(20) 7D0971343A
wiring harness
for 2. battery
F 70-Y-066 001>> 70-Y-200 000
F 70-YX048 001>> 70-Y-200 000

(20) 7D0971343B
wiring harness / automatic
for 2. battery
F 70-Y-066 001>> 70-Y-200 000
F 70-YX048 001>> 70-Y-200 000

(20) 7D0971343D
wiring harness
for 2. battery
F 70-1-000 001>>

(20) 7D0971343E
wiring harness / automatic
for 2. battery
F 70-1-000 001>>

single parts

21 N 01713113
flat fuse 19/2x5 / 20-yellow
F >> 70-X-050 348*

(27) 701906231
flat contact housing / 1 pin
connecting part
junction box
F >> 70-X-050 348*

23 161937501B
relay plate / 9 pin
F >> 70-Y-065 000*
F >> 70-XY048 000*

(23) 867937501
relay plate / 9 pin
F 70-Y-065 001>>*
F 70-XY048 001>>*

24 701971843A
cable holder
solenoid
F >> 70-X-050 348*

25 701971848C
clip
wiring harness for alternator

26 701971848D
retainer, swivelling / 14/25

(27) 191972711
flat connector housing / 1 pin
connecting part
warning lights
junction box
F 70-X-050 349>>*

(27) 191972701
flat terminal pin housing / 1 pin
coupling piece
wiring harness for auxiliary heater

F 70-X-050 349>>*
coupling piece
wiring harness for automatic gearbox

(27) 3B0972712
flat contact housing with helper contact catch / 2 pin

coupling piece
wiring harness for dash panel
F 70-1-000 001>>

wiring harness / only for: / camp- mobile
for 2. battery / WESTFALIA

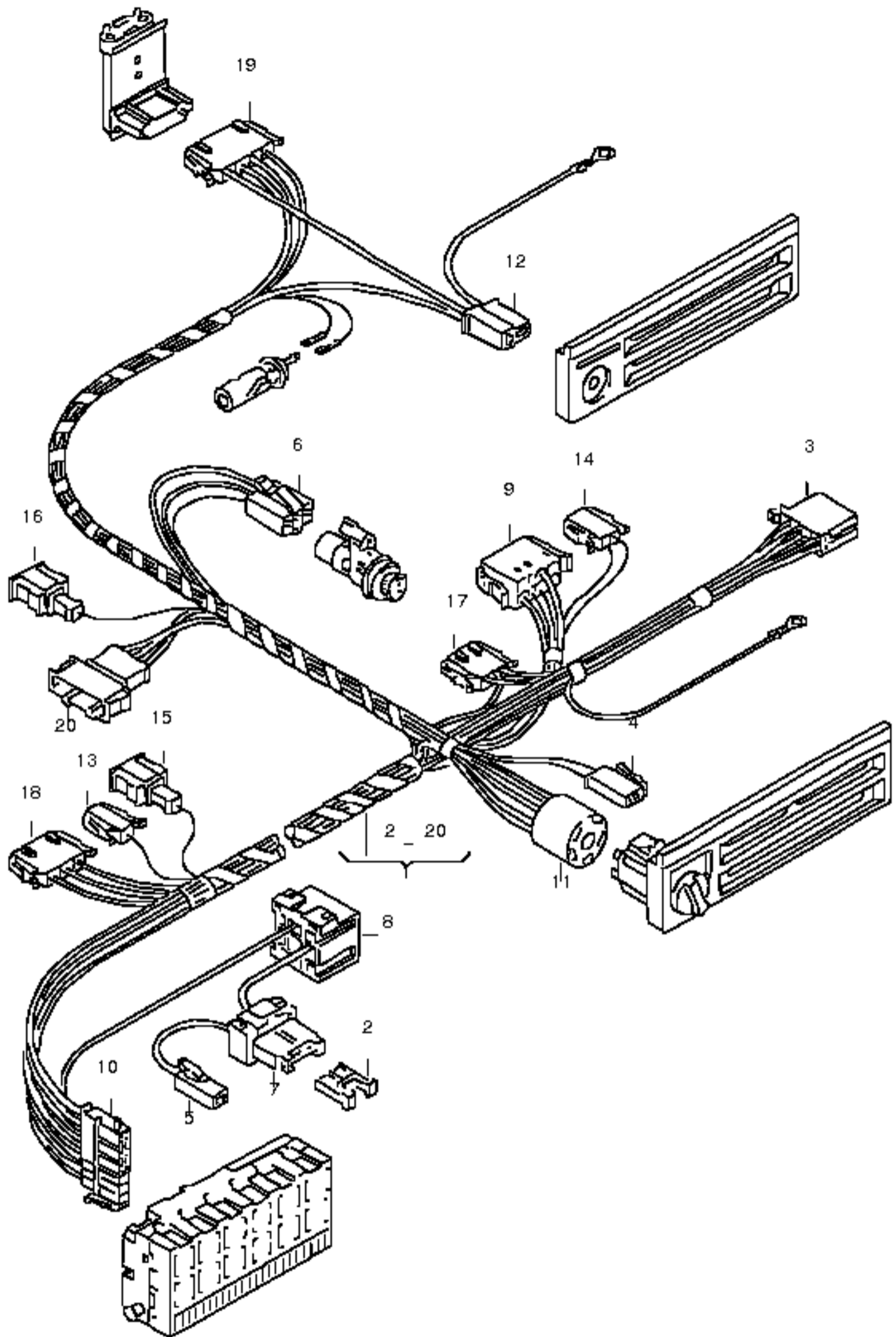
40 7D1972233A
wiring harness
for 2. battery

single parts

42 481957861
grommet / 28/11

43 191972712
flat connector housing / 2 pin
coupling piece
harness for interior light

44 357972762
flat connector housing / 2 pin
coupling piece
outer temperature sensor



wiring harness for blower

F >> 70-X-050 348*

wiring harness for blower

F >> 70-X-050 340*

(1) 701971282AL

wiring harness for blower

(1) 7D0971282B

wiring harness for blower

for usa only

radio

USA RADIO WORLD-WIDE DELIVERED

* insulate unconnected * * cable ends *

see list of locally- made looms / see no.:

/ 1-282

single parts

2 N 01713113

flat fuse 19/2x5 / 20-yellow

/ AMP

3 357035447

flat contact housing / 8 pin

radio / black

- 037906240

flat contact housing / 2 pin

connecting part

glove box light

4 191906231A

flat contact housing / 2 pin

5 357907971B

flat terminal pin housing / 1 pin

connector location: / Y

6 191919321

flat contact housing / 3 pin

(7) 701937530

fuse box for flat fuses

for vehicles with 2nd heat exchanger

8 161937501B

relay plate / 9 pin

for vehicles with 2nd heat exchanger

(9) 191972772

flat contact housing / 4 pin

switch

for additional fan

for vehicles with 2nd heat exchanger

10 357959968

flat contact housing with helper contact catch / 6 pin

connector location: / Q

(10) 191972733

flat terminal pin housing / 6 pin

coupling piece

wiring harness for steering column combination switch

(11) 357959545

flat terminal pin housing / 6 pin

switch

blower

12 1J0972752

flat contact housing / 2 pin

connecting part

electric fan motor

13 191972701

flat terminal pin housing / 1 pin

connecting part

wiring harness

steering col. combi switch

(14) 1J0972702

flat contact housing / 2 pin

illumination for fresh air controls

for additional fan

- 1H0972702A

flat contact housing / 2 pin

coupling piece

wiring harness for dash panel

16 191972711

flat connector housing / 1 pin

connecting part

wiring harness for heater

- 535972723A

flat contact housing / 6 pin

connecting part

switch for fresh or recircula- ted air selection

- 191972724

flat contact housing / 8 pin

connecting part

emergency light switch

17 1J0972752

flat contact housing / 2 pin

BASSREFLEXBOX

18 1J0972753

flat contact housing / 3 pin

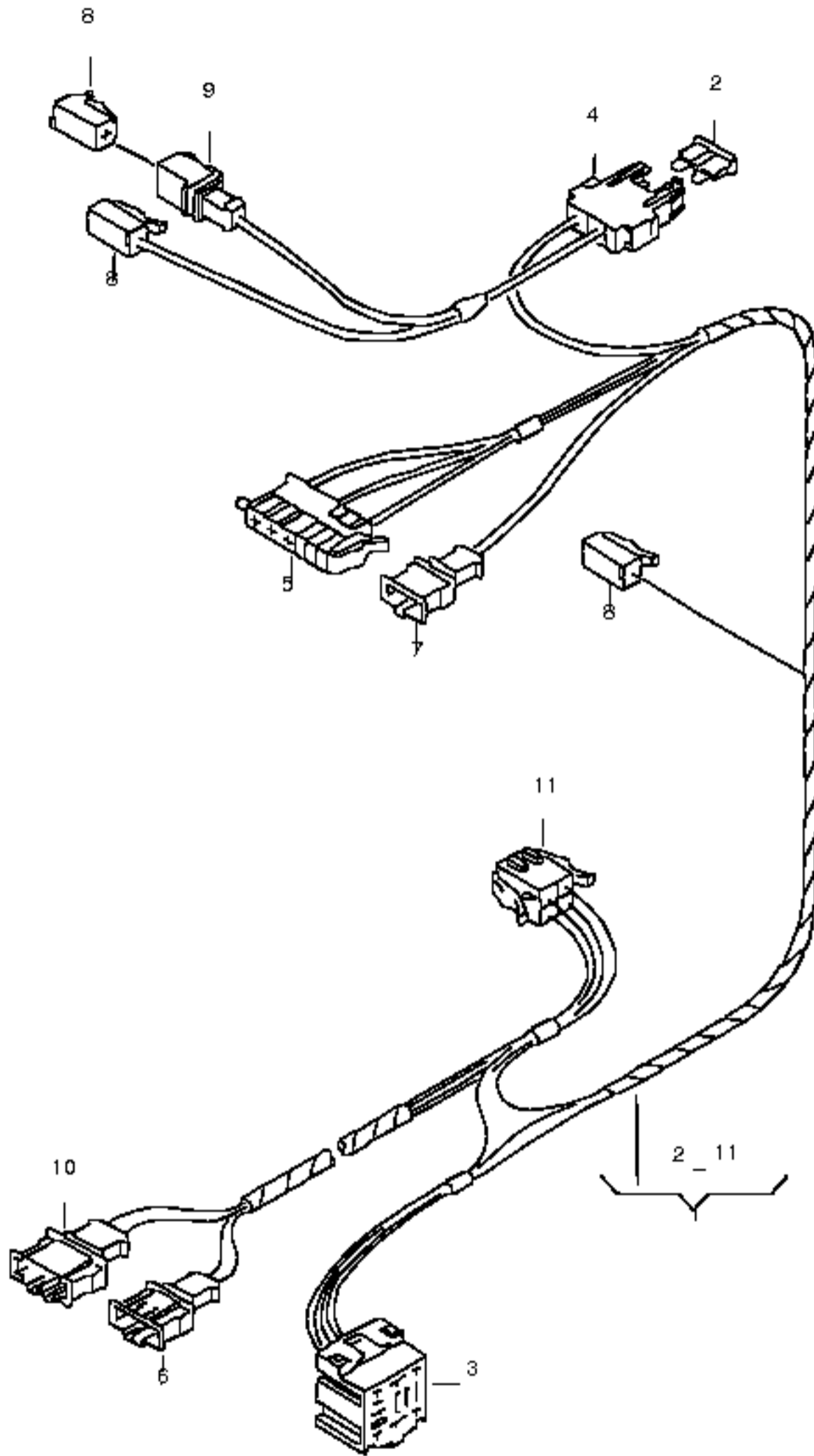
additional heat exchanger

19 1J0972754

flat contact housing / 4 pin

connecting part

resistor



wiring harness for blower
for fresh air duct to load and passenger compartment
wiring harness for blower
for fresh air duct to load and passenger compartment

F >> 70-X-050 348*

1 7D1971282C
wiring harness for blower / lhd
for fresh air duct to load and passenger compartment

(1) 7D1971282D
wiring harness for blower / lhd
for fresh air duct to load and passenger compartment

for vehicles with air condit.

(1) 7D2971282
wiring harness for blower / rhd
for fresh air duct to load and passenger compartment

(1) 7D2971282A
wiring harness for blower / rhd
for fresh air duct to load and passenger compartment

for vehicles with air condit.

wiring harness for blower
for fresh air duct to load and passenger compartment

F 70-X-050 349>>*

(1) 7D1971282E
wiring harness for blower / lhd
for fresh air duct to load and passenger compartment

(1) 7D1971282F
wiring harness for blower / lhd
for fresh air duct to load and passenger compartment

for vehicles with air condit.

(1) 7D2971282B
wiring harness for blower / rhd
for fresh air duct to load and passenger compartment

(1) 7D2971282C
wiring harness for blower / rhd
for fresh air duct to load and passenger compartment

for vehicles with air condit.

see list of locally- made looms / see no.:

/ 1-282

single parts

2 N 01713115
flat fuse 19/2x5 / 30-light green

3 161937501B
relay plate / 9 pin
connecting part
by-pass air cut-off valve

4 701937530
fuse box for flat fuses

5 357959968B
flat contact housing with helper contact catch / 6 pin

connector location: / N

6 191972712
flat connector housing / 2 pin
coupling piece
electric fan motor

7 535972712
flat contact housing / 2 pin
coupling piece
wiring harness for blower

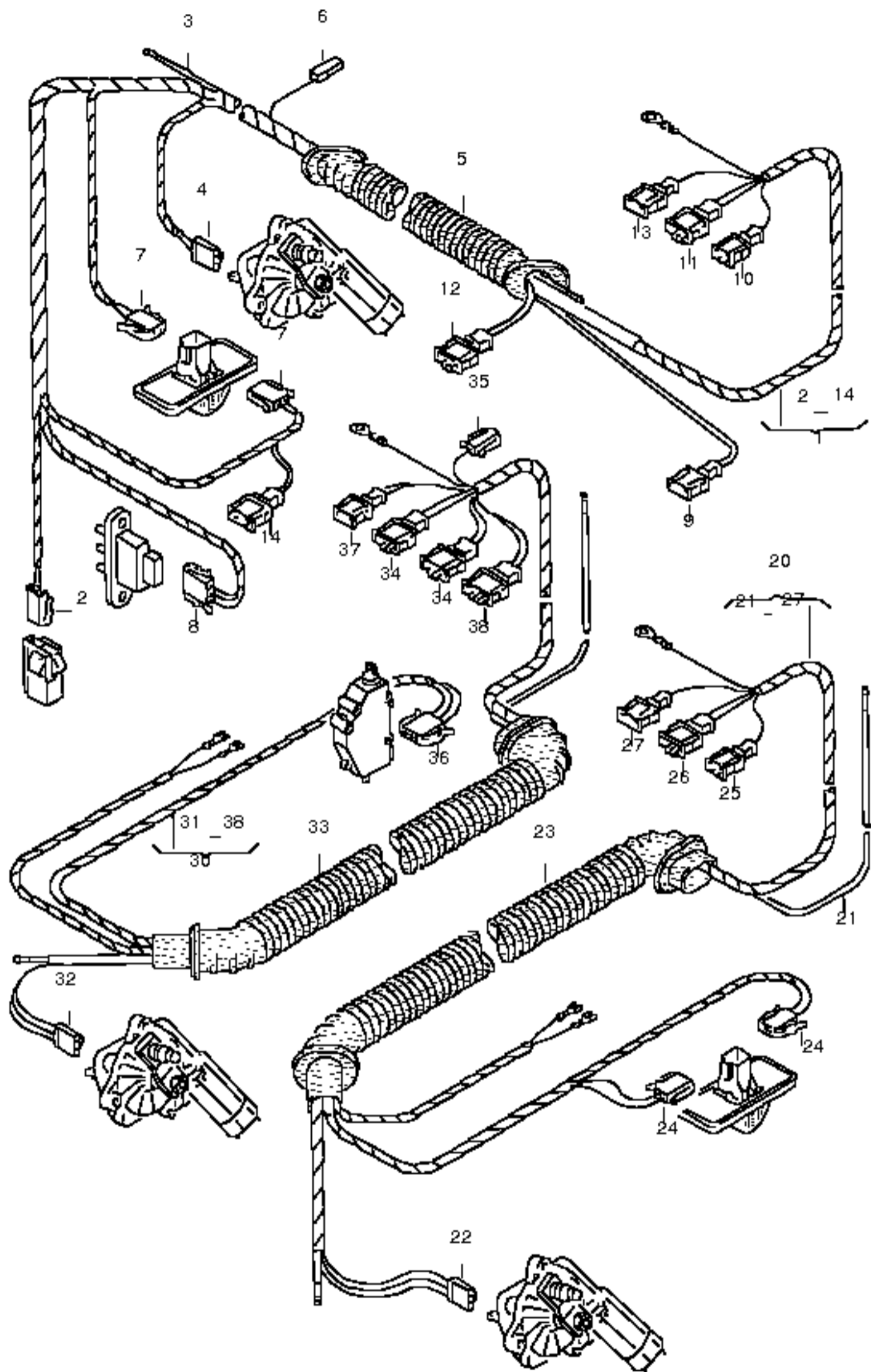
8 3A0972751H
flat contact housing / 1 pin
coupling piece
junction box
ground connector
wiring harness for automatic gearbox

F >> 70-X-050 348*

9 3A0972761H
flat contact housing / 1 pin
F 70-X-050 349>>*

10 191972762
flat contact housing / 2 pin
coupling piece
electric fan motor
for vehicles with air condit.

11 191972772
flat contact housing / 4 pin
connecting part
switch for blower motor
see illustration: / 998-R



wiring harness for boot lid/ tailgate
and wing doors / rear
wiring harness for boot lid/ tailgate

(1) 7D0971484R
wiring harness for boot lid/ tailgate

rear window glass(insul.glass)
heated rear window

(1) 7D0971484AA
wiring harness for boot lid/ tailgate / PR:5DA/5DB/
/ 5DE/5DF/5DH

(1) 7D0971484N
wiring harness for boot lid/ tailgate / PR:
/ 5DC/5DD/5DM
trim panel for tail gate / upper / 5DT/5DZ/5DJ

- 7D0971157
wiring harness adapter / upper
additional brake light
rear window glass

single parts

2 191906231A
flat contact housing / 2 pin

(2) 867906231
flat terminal pin housing / 2 pin
connecting part
additional brake light

3 1J0955751D
corrugated pipe / 6X0,75X10000MM
shorten to: / 1650MM

4 191971835
flat terminal pin housing / 3 pin

5 701971840D
bellows / 38X22,8/18/
/ 38X22,8

6 1H0971921A
flat terminal pin housing / 1 pin
heated rear window
also use: / 000 979 222

(6) 2D0971701
flat terminal pin housing / 1 pin
for rear window glass heated

(7) 1J0972702
flat contact housing / 2 pin

(7) 1J0972702
flat contact housing / 2 pin
connecting part
additional brake light

(8) 1J0972924
flat contact housing / 3 pin

9 191972711
flat connector housing / 1 pin
connecting part
door contact switch

10 191972711
flat connector housing / 1 pin
connecting part
wiring harness: rear

11 191972712
flat connector housing / 2 pin
connecting part
wiring harness: rear

12 191972712
flat connector housing / 2 pin
connecting part
central locking system

13 191972761
flat contact housing / 1 pin
connecting part
wiring harness: rear

14 191972761
flat contact housing / 1 pin

wiring harness for door / left rear
(20) 7D0971489A
wiring harness for door / left rear

20 7D0971489D
wiring harness for door / left rear
for wing doors with opening angle:
/ 270 degrees

single parts

21 1J0955751D
corrugated pipe / 6X0,75X10000MM
shorten to: / 2570MM

22 191971835
flat terminal pin housing / 3 pin

23 701971840B
bellows
F >> 70-X-107 337

(23) 7D0971840A
bellows
for wing doors with opening angle: / 270 degrees
F 70-X-107 338>>
701971848D
retainer, swivelling / 14/25
/ for:
/ 7D0 971 840 A

(24) 1J0972702
flat contact housing / 2 pin
coupling piece
additional brake light
connecting part
licence plate light

25 191972711
flat connector housing / 1 pin
connecting part
wiring harness: rear

26 191972712
flat connector housing / 2 pin
connecting part
wiring harness: rear

27 191972761
flat contact housing / 1 pin
connecting part
wiring harness: rear

wiring harness for door / right rear

(30) 7D0971484AQ
wiring harness for door / right rear
for wing doors with opening angle: / 270 degrees

single parts

31 1J0955751D
corrugated pipe / 6X0,75X10000MM
shorten to: / 1510MM

32 191971835
flat terminal pin housing / 3 pin

33 701971840B
bellows / 39,1X29/18/
/ 39,1X29

34 191972712
flat connector housing / 2 pin
connecting part
wiring harness: rear

35 191972751
flat contact housing / 1 pin
connecting part
wiring harness: rear

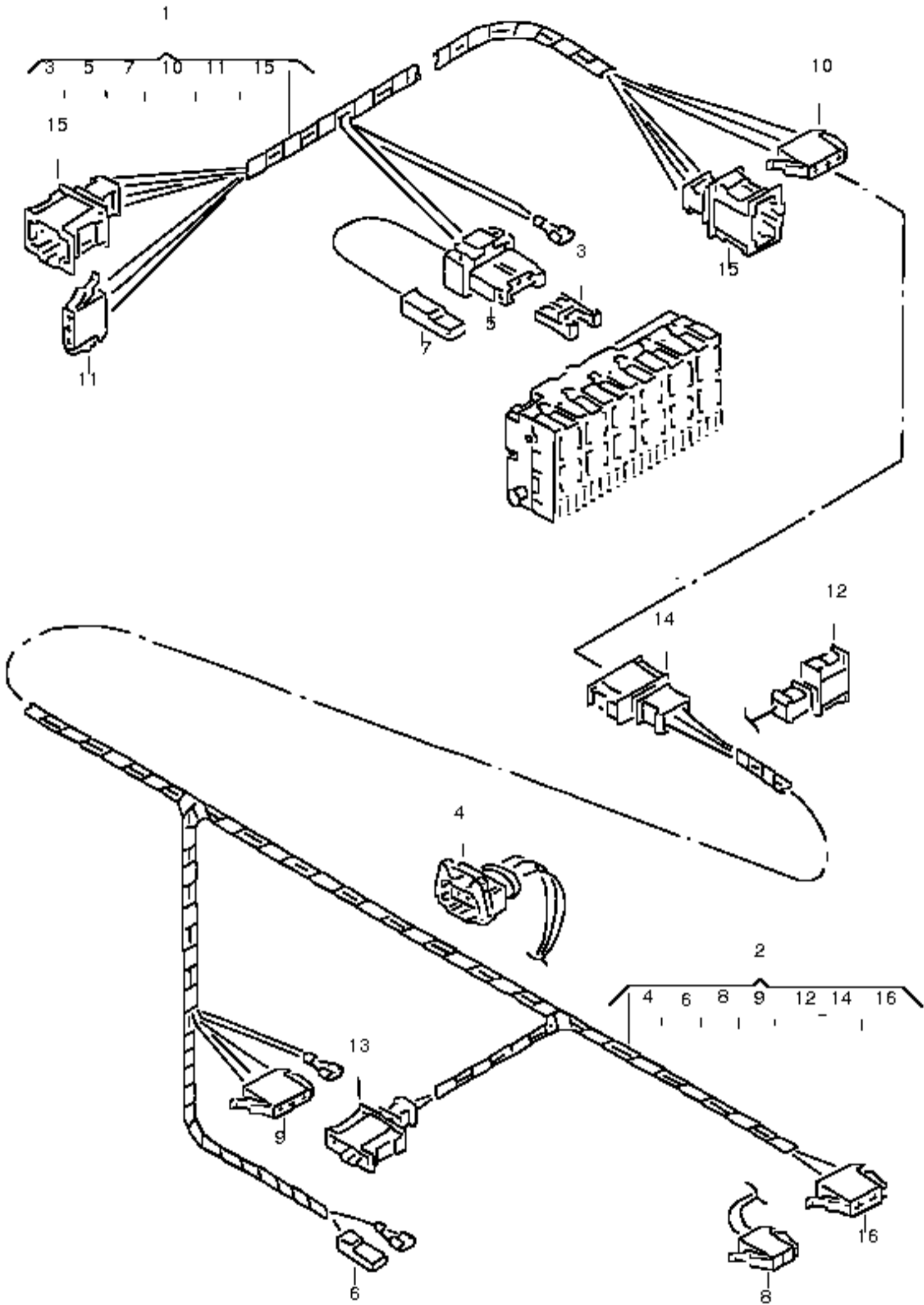
36 357972754H
flat contact housing / 3 pin

37 191972761
flat contact housing / 1 pin
connecting part
wiring harness: rear

38 191972762
flat contact housing / 2 pin
connecting part
wiring harness: rear

(38) 191972772
flat contact housing / 4 pin
coupling piece
wiring harness
tail light with turn signal, brake and tail light, and reflector

(38) 867906231
flat terminal pin housing / 2 pin
connecting part
additional brake light



wiring harness for central locking
F >> 70-X-050 348*

(1) 7D0971122A
wiring harness for central locking

(1) 7D0971122M
wiring harness for radio control central locking system

(2) 705971122M
wiring harness for central locking

for passenger compartement

(2) 705971122N
wiring harness for central locking

for passenger compartement
for vehicles with sliding roof

(2) 703971122C
wiring harness for central locking / camp- mobile

see list of locally- made looms / see no.:
/ 1-122

wiring harness for central locking
F 70-X-050 349>>*

(1) 7D0971122P
wiring harness for central locking

(1) 7D0971122R
wiring harness for radio control central locking system

F >> 70-Y-200 000

(1) 7D0971122AG
wiring harness for radio control central locking system

F 70-1-000 001>>

(1) 7D0971122F
wiring harness for central locking

for passenger compartement
for vehicles with sliding roof

(2) 705971122M
wiring harness for central locking

for passenger compartement

(2) 703971122C
wiring harness for central locking / camp- mobile

see list of locally- made looms / see no.:
/ 1-122

single parts

3 N 01713112
flat fuse 19/2x5 / 15-light blue
/ AMP

4 191906231B
flat contact housing / 3 pin
interior light
for vehicles with sliding roof

(4) 701906231
flat contact housing / 1 pin
connecting part
junction box
F >> 70-X-050 348*

(4) 7D0937701KD
flat contact housing / 1 pin
connecting part
junction box
F 70-X-050 349>>*

5 1H0937530
fuse box for flat fuses / 2 pin

6 111971921B
flat terminal pin housing / 1 pin
step light

(6) 1J0972702
flat contact housing / 2 pin
connecting part
step light

(7) 3A0972751H
flat contact housing / 1 pin
connecting part
central electrics

(8) 1J0972702
flat contact housing / 2 pin
connecting part
tailgate / boot lid
coupling piece
wiring harness for steering column combination switch

(9) 1J0972924
flat contact housing / 3 pin
connecting part
sliding door / right
or crew cab door / right

(10) 1J0972924
flat contact housing / 3 pin

(11) 1J0972924
flat contact housing / 3 pin
connecting part
harness for interior light

12 191972711
flat connector housing / 1 pin / camp- mobile

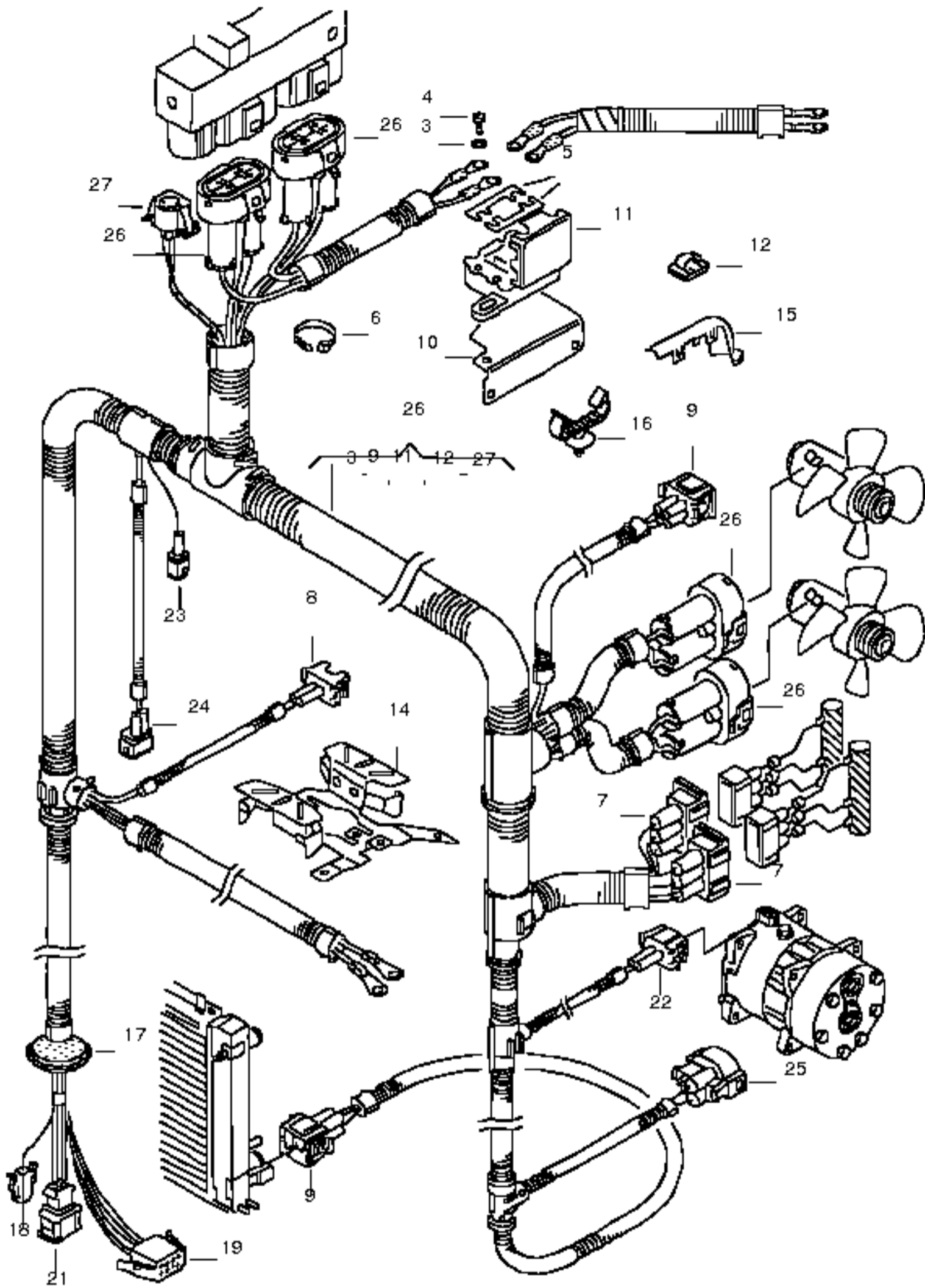
13 191972712
flat connector housing / 2 pin
interior light
for vehicles with
step light
coupling piece
wiring harness for dash panel

14 191972713
flat connector housing / 3 pin

15 1J0972732
flat terminal pin housing / 4 pin
connecting part
wiring harness for door

(15) 7D0972775
flat contact housing / 10 pin
connecting part
central locking control unit with radio wave remote control

(15) 1J0962615
flat contact housing with helper contact catch / 15 pin
/ black
connecting part
central locking control unit with radio wave remote control



wiring harness for compressor and electric fan
for vehicles with electronically regulated air condit.
see illustration also: / 972-11
wiring harness for compressor and electric fan
for vehicles with electronically regulated air condit.
F >> 70-X-050 348*

1 7D1971566F
wiring harness for compressor and electric fan / lhd
/ 2X450W

(1) 7D1971566G
wiring harness for compressor and electric fan / lhd
/ 2X350W

(1) 7D2971566F
wiring harness for compressor and electric fan / rhd
/ 2X450W

(1) 7D2971566G
wiring harness for compressor and electric fan / rhd
/ 2X350W

wiring harness for compressor and electric fan
for vehicles with electronically regulated air condit.

F 70-X-050 349>>*

(1) 7D1971566M
wiring harness for compressor and electric fan / lhd
/ 2X450W

(1) 7D1971566N
wiring harness for compressor and electric fan / lhd
/ 2X350W

(1) 7D1971566P
wiring harness for compressor and electric fan / lhd / AMV
/ 2X450W

(1) 7D2971566M
wiring harness for compressor and electric fan / rhd
/ 2X450W

(1) 7D2971566N
wiring harness for compressor and electric fan / rhd
/ 2X350W

use if required: / 357 906 732 A

single parts

3 N 0122253
spring washer / B5X11X0,5
F >> 70-X-050 348*

4 N 01412811
fillister hd. bolt / M5X8
F >> 70-X-050 348*

5 N 0171251
fuse / B50
F >> 70-X-050 348*

6 N 90666101
cable tie / 4,5X200

7 1H0906233
flat contact housing / 3 pin
connecting part

resistor

8 037906240
flat contact housing / 2 pin / AAB
connecting part

valve

9 357919754
flat contact housing / 4 pin
connecting part

pressure switch

temperature sensor

10 7D0937503
retainer
fuse box

F >> 70-X-050 348*

11 281937505A
fuse box without fuses

F >> 70-X-050 348*

(12) 000971010A
retaining plate for cable binder (self-adhesive) / 27X27MM

use if required: / N 020 902 2

(14) 7D0971804
bracket for resistance / PR-AC0

(14) 701971804E
bracket for resistance / PR-AC1

15 701971897C

wiring conduit

16 701971899G
retainer

17 171971905C
grommet / 33,5/11

(17) 1J0971921B
protective cap
F 70-X-050 349>>*

18 191972701
flat terminal pin housing / 1 pin

19 191972724
flat contact housing / 8 pin
coupling piece
wiring harness for air conditioner operation

21 1J0972732
flat terminal pin housing / 4 pin
coupling piece
wiring harness for air conditioner operation

22 357972752
flat contact housing / 2 pin
connecting part

for compressor
outer temperature sensor

23 357972761
flat contact housing / 1 pin
coupling piece

harness for vehicle lighting

24 357972762
flat connector housing / 2 pin
connecting part

outer temperature sensor

25 1H0973203
flat contact housing / 3 pin
connecting part

temperature switch

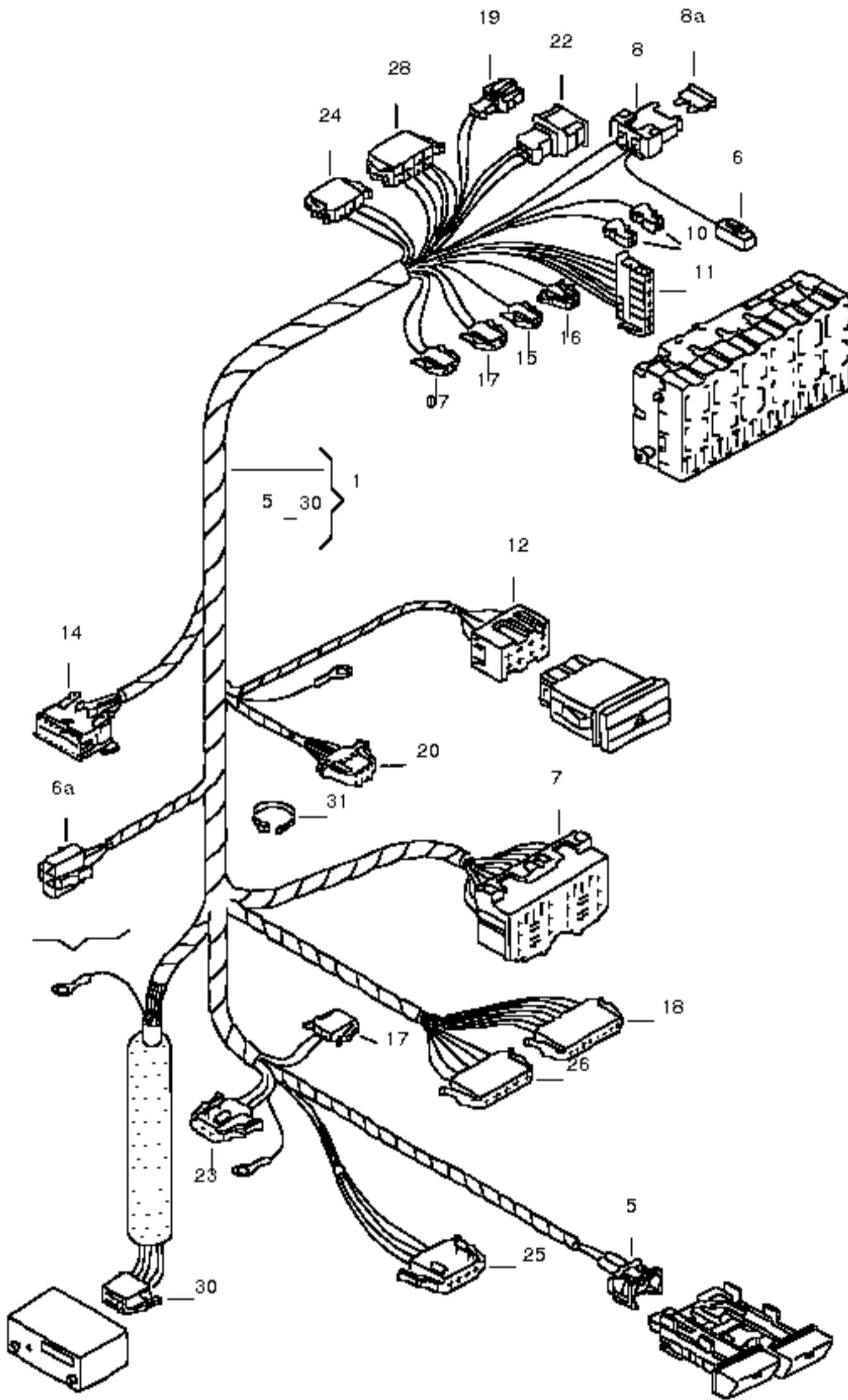
26 1H0973204
flat contact housing / 4 pin
connecting part

electric fan control unit

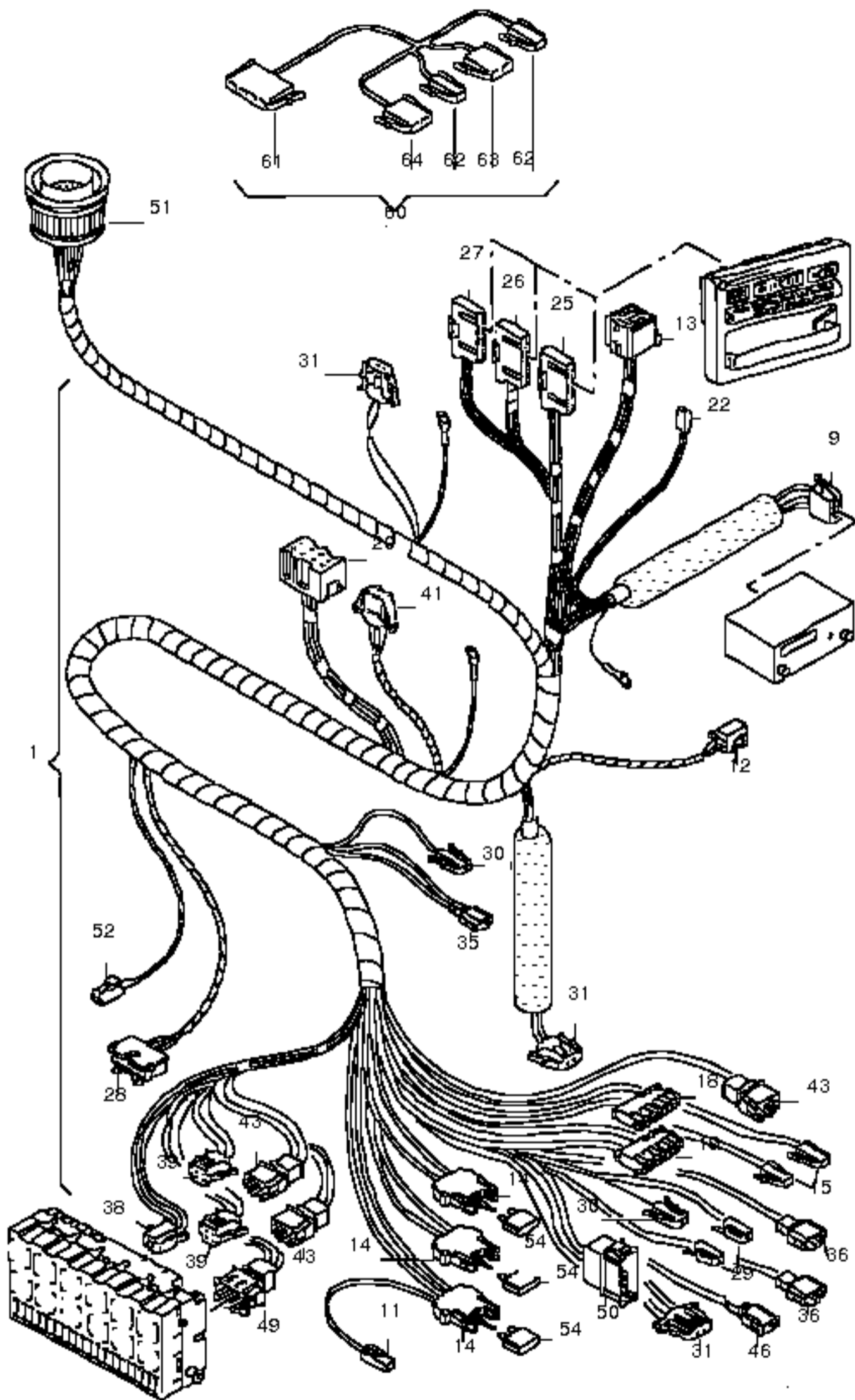
electric fan

27 3A0973712
flat contact housing / 4 pin
connecting part

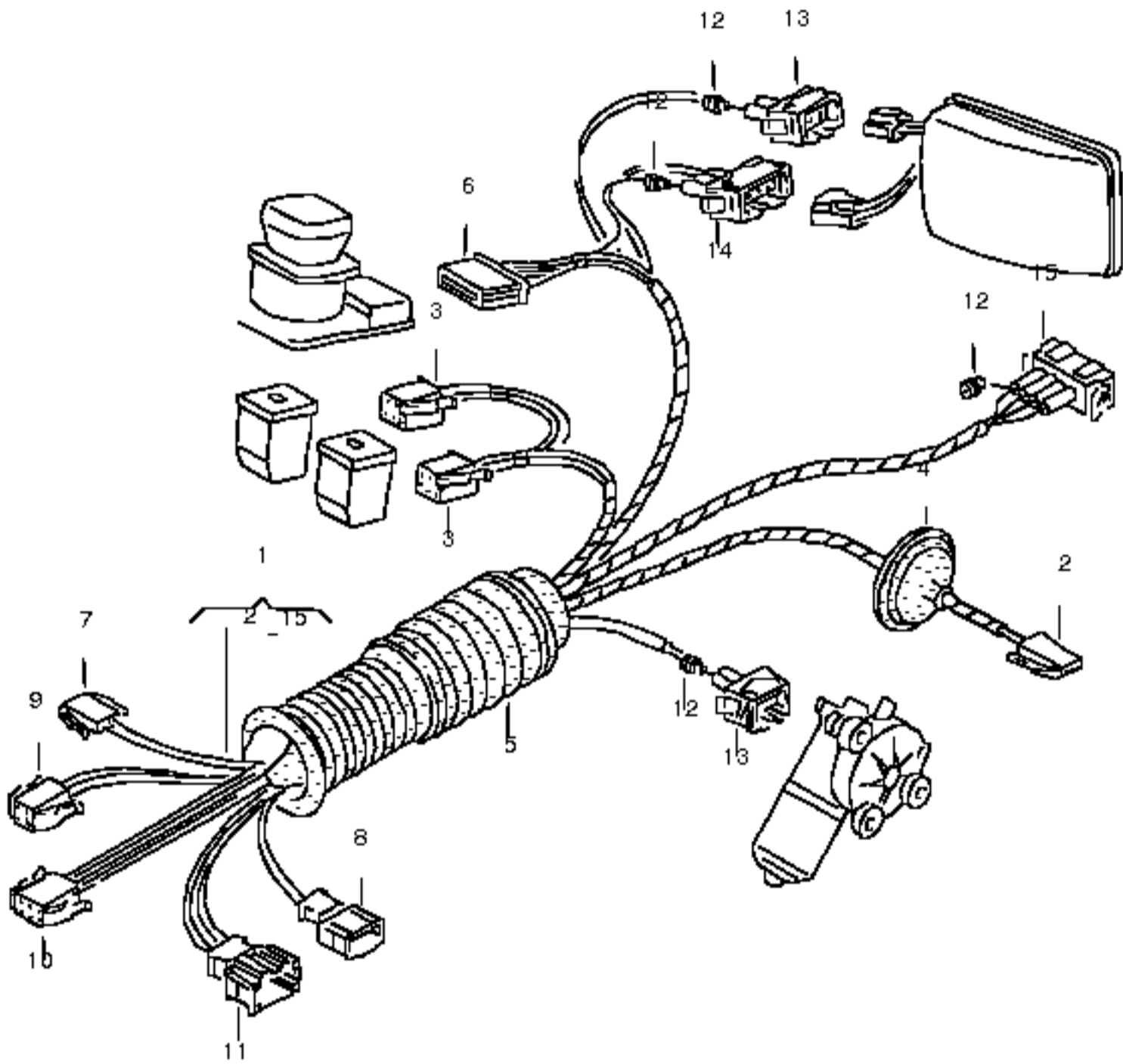
electric fan control unit



- wiring harness for dash panel
heater
wiring harness adapter
switch for heated rear window
wiring harness for dash panel
heater
F >>> 70-X-016 500*
- (1) 7D0971052AC
wiring harness for dash panel
heater
for vehicles with auxiliary heater
- wiring harness for dash panel
heater
F 70-X-016 501>>> 70-X-200 000
- (1) 7D0971052AN
wiring harness for dash panel
heater
- (1) 7D0971052AS
wiring harness for dash panel
heater
for models with roof mounted turn signal
- 1 7D0971052BB
wiring harness for dash panel
heater
fresh air and heater controls / rear
- (1) 7D0971052BD
wiring harness for dash panel
heater
fresh air and heater controls / rear
- for models with roof mounted turn signal
- (1) 7D0971052CJ
wiring harness for dash panel
heater
for vehicles with auxiliary heater
- (1) 7D0971052CN
wiring harness for dash panel
heater
for vehicles with auxiliary heater
- roof turn signal
- (1) 7D0971052CR
wiring harness for dash panel
heater
for vehicles with auxiliary heater
- fresh air and heater controls / rear
- (1) 7D0971052CT
wiring harness for dash panel
heater
for vehicles with auxiliary heater
- fresh air and heater controls / rear
- roof turn signal
- wiring harness for dash panel
heater
F 70-Y-000 001>>> 70-Y-040 141*
- (1) 7D0971052JA
wiring harness for dash panel
heater
- (1) 7D0971052JE
wiring harness for dash panel
heater
for models with roof mounted turn signal
- (1) 7D0971052JF
wiring harness for dash panel / camp- mobile
heater
- (1) 7D0971052JH
wiring harness for dash panel / camp- mobile
heater
for models with roof mounted turn signal
- (1) 7D0971052KF
wiring harness for dash panel
heater
for vehicles with auxiliary heater
- (1) 7D0971052KH
wiring harness for dash panel
heater
for vehicles with auxiliary heater
- (1) 7D0971052KJ
wiring harness for dash panel
heater
for vehicles with auxiliary heater
- fresh air and heater controls / rear
- (1) 7D0971052KK
wiring harness for dash panel
heater
for vehicles with auxiliary heater
- fresh air and heater controls / rear
- roof turn signal
- wiring harness for dash panel
heater
F 70-Y-040 142>>> 70-1-048 830*
F >>> 70-1X042 989*
- (1) 7D0971052GB
wiring harness for dash panel
heater
- (1) 7D0971052GF
wiring harness for dash panel
heater
for models with roof mounted turn signal
- (1) 7D0971052GG
wiring harness for dash panel / camp- mobile
heater
- (1) 7D0971052GJ
wiring harness for dash panel / camp- mobile
heater
for models with roof mounted turn signal
- (1) 7D0971052HH
wiring harness for dash panel
heater
for vehicles with auxiliary heater
- (1) 7D0971052HK
wiring harness for dash panel
heater
for vehicles with auxiliary heater
- for models with roof mounted turn signal
- (1) 7D0971052HL
wiring harness for dash panel
heater
for vehicles with auxiliary heater
- fresh air and heater controls / rear
- (1) 7D0971052HM
wiring harness for dash panel
heater
for vehicles with auxiliary heater
- fresh air and heater controls / rear
- roof turn signal
- wiring harness for dash panel
heater
F 70-1-048 213>>>*
F 70-1X047 903>>>*
- (1) 7D0971052LJ
wiring harness for dash panel
heater
- (1) 7D0971052LL
wiring harness for dash panel
heater
for models with roof mounted turn signal
- (1) 7D0971052LM
wiring harness for dash panel
heater
heater with fresh air and heater controls / rear
- (1) 7D0971052LN
wiring harness for dash panel
heater
heater with fresh air and heater controls / rear
- for models with roof mounted turn signal
- (1) 7D0971052NC
wiring harness for dash panel
heater
auxiliary heater for coolant circuit / B4W/D4W
- (1) 7D0971052NE
wiring harness for dash panel
heater
auxiliary heater for coolant circuit / B4W/D4W
- for models with roof mounted turn signal
- (1) 7D0971052NF
wiring harness for dash panel
heater
auxiliary heater for coolant circuit / B4W/D4W
- fresh air and heater controls / rear
- (1) 7D0971052NG
wiring harness for dash panel
heater
auxiliary heater for coolant circuit / B4W/D4W
- fresh air and heater controls / rear
- roof turn signal
- single parts
5 037906240
flat contact housing / 2 pin
switch for fresh or recirculated air selection
- 6 357907971B
flat terminal pin housing / 1 pin
for fuse box/relay plate
- 6A 191919321
flat contact housing / 3 pin
connecting part
cigarette lighter
- 7 357937501
relay plate / 18 pin
for vehicles with additional heat exch.
- 8 701937530
fuse box for flat fuses / 2 pin
- 8A N 01713113
flat fuse 19/2x5 / 20-yellow
- 10 7D0977701KD
flat contact housing / 1 pin
junction box
- (10) 535972711
flat contact housing / 1 pin
for fuse box/relay plate
F 70-Y-040 142>>>*
- 11 357959968
flat contact housing with helper contact catch / 6 pin
- for fuse box/relay plate
- 12 1J0971971
flat contact housing / 8 pin
emergency light switch
- 14 3A0972695
flat contact housing / 16 pin
connecting part
for diagnosis plug
- 15 191972701
flat terminal pin housing / 1 pin
coupling piece
wiring harness for engine
- 16 1H0972702A
flat contact housing / 2 pin
coupling piece
wiring harness for fresh air blower
- (16) 1H0972702A
flat contact housing / 2 pin
connecting part
junction box
F 70-1-048 831>>>*
F 70-1X042 929>>>*
- (17) 1J0972702
flat contact housing / 2 pin
coupling piece
dash panel insert
glove box light
- (17) 1J0972702
flat contact housing / 2 pin
connecting part
junction box
- (18) 535972705
flat terminal pin housing / 5 pin
potentiometer
for vehicles with additional heat exch.
- 18 1J0972708
flat contact housing / 8 pin
switch for fresh or recirculated air selection / rear
- 19 191972712
flat connector housing / 2 pin
coupling piece
harness for navigation system
- 20 3B0972724
flat contact housing with helper contact catch / 8 pin
- control unit for immobilizer with change code transponder
- F >>> 70-Y-075 000*
- (20) 6Q0972725
flat contact housing with helper contact catch / 10 pin
- control unit for immobiliser with change code transponder
- F 70-Y-075 001>>>*
- 22 191972733
flat terminal pin housing / 6 pin
coupling piece
steering col. combi switch
- 23 1J0972752
flat contact housing / 2 pin
electric fan motor
- 24 1J0972753
flat contact housing / 3 pin
coupling piece
wiring harness for tail light
- 25 1J0972754
flat contact housing / 4 pin
switch for blower motor / rear
series resistance for fresh air and hot air blower
- (25) 1J0972722
flat terminal pin housing / 4 pin
wiring harness
dash panel insert
F 70-1-048 831>>>*
F 70-1X042 990>>>*
- 26 191972755
flat contact housing / 5 pin
switch for blower motor
- 28 1J0972774
flat contact housing / 8 pin
coupling piece
fresh air and heater controls
/ rear
- (28) 1J0972784
flat contact housing / 8 pin
coupling piece
wiring harness for additional heater, heater unit
- 30 357035447
flat contact housing / 8 pin
radio
- 31 N 0209022
cable tie / 6X246
- (31) N 90666101
cable tie / 4,5X200
hole/sheet metal thickness: / 6,5 / 0,3-3
- wiring harness adapter
switch for heated rear window
- 7D0971056B
wiring harness adapter
switch for heated rear window
- single parts
- 357959968A
flat contact housing with helper contact catch / 10 pin
- connecting part
for fuse box/relay plate
connector location: / P
- 8L0971972
flat connector housing / 6 pin
connecting part
switch for heated rear window
- 191972751
flat contact housing / 1 pin
coupling piece
- 1J0972753
flat contact housing / 3 pin
coupling piece
wiring harness for side and headlight switch



- wiring harness for dash panel
for vehicles with electronically regulated air condit.
- wiring harness for dash panel
for vehicles with manually regulated air conditioner
- wiring harness for dash panel
for vehicles with electronically regulated air condit.
- F 70-X-050 349>> 70-X-250 000*
- (1) 7D0971052DT
wiring harness for dash panel
for vehicles with electronically regulated air condit.
- (1) 7D0971052EB
wiring harness for dash panel
for vehicles with electronically regulated air condit.
- for models with towing facility
- wiring harness for dash panel
for vehicles with electronically regulated air condit.
- F 70-Y-000 001>> 70-Y-040 141*
- 1 7D0971052KC
wiring harness for dash panel
for vehicles with electronically regulated air condit. / and
/or auxiliary heater
- (1) 7D0971052KD
wiring harness for dash panel
for vehicles with electronically regulated air condit. / and
/or auxiliary heater
for models with towing facility
- wiring harness for dash panel
for vehicles with electronically regulated air condit.
- F 70-Y-040 142>> 70-1-048 213*
- F >> 70-1X047 903*
- (1) 7D0971052HR
wiring harness for dash panel
for vehicles with electronically regulated air condit. / and
/or auxiliary heater
- (1) 7D0971052HS
wiring harness for dash panel
for vehicles with electronically regulated air condit. / and
/or auxiliary heater
for models with towing facility
- wiring harness for dash panel
for vehicles with electronically regulated air condit.
- (1) 7D0971052SB
wiring harness for dash panel
for vehicles with electronically regulated air condit. / and
/or for vehicles with additional heat exch.in passenger compart and additional heater
and/or wiring harness for video
- (1) 7D0971052SC
wiring harness for dash panel
for vehicles with electronically regulated air condit. / and
/or for vehicles with additional heat exch.in passenger compart and additional heater
- roof turn signal
and/or wiring harness for video
- wiring harness for dash panel
for vehicles with manually regulated air conditioner
- auxiliary heater for coolant circuit
/ B4W/D4W
F 70-X-050 349>> 70-X-250 000*
- (1) 7D0971052EE
wiring harness for dash panel
for vehicles with manually regulated air conditioner
- (1) 7D0971052EM
wiring harness for dash panel
for vehicles with manually regulated air conditioner
- fresh air and heater controls / rear
- (1) 7D0971052EP
wiring harness for dash panel
for vehicles with manually regulated air conditioner
- fresh air and heater controls / rear
trailer towing
- wiring harness for dash panel
for vehicles with manually regulated air conditioner
- auxiliary heater for coolant circuit / B4W/D4W
F 70-Y-000 001>> 70-Y-040 141*
- (1) 7D0971052KM
wiring harness for dash panel
for vehicles with manually regulated air conditioner
- (1) 7D0971052KP
wiring harness for dash panel
for vehicles with manually regulated air conditioner
- roof turn signal
(1) 7D0971052KQ
wiring harness for dash panel
for vehicles with manually regulated air conditioner
- fresh air and heater controls / rear
- (1) 7D0971052KR
wiring harness for dash panel
for vehicles with manually regulated air conditioner
- fresh air and heater controls / rear
- roof turn signal
- wiring harness for dash panel
for vehicles with manually regulated air conditioner
- auxiliary heater for coolant circuit
/ B4W/D4W
F 70-Y-040 142>> 70-1-048 213*
- F >> 70-1X047 903*
- (1) 7D0971052HB
wiring harness for dash panel
for vehicles with manually regulated air conditioner
- (1) 7D0971052HD
wiring harness for dash panel
for vehicles with manually regulated air conditioner
- roof turn signal
- (1) 7D0971052HE
wiring harness for dash panel
for vehicles with manually regulated air conditioner
- fresh air and heater controls / rear
- (1) 7D0971052HE
wiring harness for dash panel
for vehicles with manually regulated air conditioner
- fresh air and heater controls / rear
- (1) 7D0971052HF
wiring harness for dash panel
for vehicles with manually regulated air conditioner
- fresh air and heater controls / rear
- roof turn signal
- wiring harness for dash panel
for vehicles with manually regulated air conditioner
- auxiliary heater for coolant circuit
/ B4W/D4W
F 70-1-048 214>>*
- F 70-1X047 904>>*
- (1) 7D0971052MQ
wiring harness for dash panel
for vehicles with manually regulated air conditioner
- (1) 7D0971052MS
wiring harness for dash panel
for vehicles with manually regulated air conditioner
- roof turn signal
- (1) 7D0971052MT
wiring harness for dash panel
for vehicles with manually regulated air conditioner
- fresh air and heater controls / rear
- (1) 7D0971052NA
wiring harness for dash panel
for vehicles with manually regulated air conditioner
- fresh air and heater controls / rear
- roof turn signal
- (1) 7D0971052RK
wiring harness for dash panel
for vehicles with manually regulated air conditioner
- fresh air and heater controls / rear
and/or wiring harness for video
- (1) 7D0971052RL
wiring harness for dash panel
for vehicles with manually regulated air conditioner
- fresh air and heater controls / rear
- roof turn signal
and/or wiring harness for video
- wiring harness for dash panel
for vehicles with manually regulated air conditioner
- with/without
auxiliary heater / B3L/D3L
F >> 70-X-250 000
- (1) 7D0971052BG
wiring harness for dash panel
for vehicles with manually regulated air conditioner
- (1) 7D0971052BL
wiring harness for dash panel
for vehicles with manually regulated air conditioner
- trailer towing
- (1) 7D0971052BP
wiring harness for dash panel
for vehicles with manually regulated air conditioner
- fresh air and heater controls / rear
- (1) 7D0971052BR
wiring harness for dash panel
for vehicles with manually regulated air conditioner
- fresh air and heater controls / rear
- trailer towing
- wiring harness for dash panel
for vehicles with manually regulated air conditioner
- with/without
auxiliary heater / B3L/D3L
F 70-Y-000 001>> 70-Y-075 000
- (1) 7D0971052JK
wiring harness for dash panel / B3L/D3L
for vehicles with manually regulated air conditioner
- (1) 7D0971052JP
wiring harness for dash panel / B3L/D3L
for vehicles with manually regulated air conditioner
- trailer towing
- (1) 7D0971052JQ
wiring harness for dash panel / B3L/D3L
for vehicles with manually regulated air conditioner
- fresh air and heater controls / rear
- (1) 7D0971052JS
wiring harness for dash panel / B3L/D3L
for vehicles with manually regulated air conditioner
- fresh air and heater controls / rear
- trailer towing
- wiring harness for dash panel
for vehicles with manually regulated air conditioner
- with/without
auxiliary heater / B3L/D3L
F 70-Y-075 001>> 70-1-048 213*
- F >> 70-1X047 903*
- (1) 7D0971052GL
wiring harness for dash panel / B3L/D3L
for vehicles with manually regulated air conditioner
- (1) 7D0971052GQ
wiring harness for dash panel / B3L/D3L
for vehicles with manually regulated air conditioner
- trailer towing
- (1) 7D0971052GR
wiring harness for dash panel / B3L/D3L
for vehicles with manually regulated air conditioner
- fresh air and heater controls / rear
- wiring harness for dash panel
for vehicles with manually regulated air conditioner
- with/without
auxiliary heater / B3L/D3L
F 70-1-048 214>>*
- F 70-1X047 904>>*
- (1) 7D0971052MC
wiring harness for dash panel / B3L/D3L
for vehicles with manually regulated air conditioner
- (1) 7D0971052ME
wiring harness for dash panel / B3L/D3L
for vehicles with manually regulated air conditioner
for models with roof mounted turn signal
- (1) 7D0971052MF
wiring harness for dash panel / B3L/D3L
for vehicles with manually regulated air conditioner
- fresh air and heater controls / rear
- (1) 7D0971052MG
wiring harness for dash panel / B3L/D3L
for vehicles with manually regulated air conditioner
- fresh air and heater controls / rear
- for models with roof mounted turn signal
- (1) 7D0971052RM
wiring harness for dash panel / B3L/D3L
for vehicles with manually regulated air conditioner
- fresh air and heater controls / rear
and/or wiring harness for video
- (1) 7D0971052RN
wiring harness for dash panel / B3L/D3L
for vehicles with manually regulated air conditioner
- fresh air and heater controls / rear
and/or wiring harness for video
- single parts
- 9 357035447
flat contact housing / 8 pin
radio / black
- 7D0971798
plastic foam (self-adhesive) / 90X90
- (9) 037906240
flat contact housing / 2 pin
valve
for recirculated air operation possibility
- 11 357907971B
flat terminal pin housing / 1 pin
central electrics
- 12 191919321
flat contact housing / 3 pin
cigarette lighter
- 13 161937501B
relay plate / 9 pin
for additional heater
- 14 701937530
fuse box for flat fuses / 2 pin
- 15 7D0937701KD
flat contact housing / 1 pin
junction box
- (15) 7D0937711
flat contact housing with helper contact catch / 1 pin
junction box
- (15) 357959545
flat terminal pin housing / 6 pin
switch for blower motor
- 18 357959968
flat contact housing with helper contact catch / 6 pin
central electrics
- 19 357959968B
flat contact housing with helper contact catch / 6 pin
central electrics
- 20 1J0971971
flat contact housing / 8 pin
hazard warning light switch relay turn signal/emerg.light
trailer towing
- (20) 8L0971971
flat contact housing / 7 pin
hazard warning light switch relay turn signal/emerg.light
- 22 4B0971833
flat contact housing / 6 pin
connecting part
digital clock with heater preselector switch
- room temperature regulator / front
- (22) 7D0972529
flat terminal pin housing / 28 pin
connecting part / white
control unit for air condit.
- 25 7M0972530A
handle recess
connecting part
control unit for air condit.
also use: / 357 972 531
- 26 7M0972530B
handle recess / blue
connecting part
control unit for air condit.
also use: / 357 972 531
- 27 7M0972530D
handle recess
connecting part
control unit for air condit.
also use: / 357 972 531
- (27) 1H0972530
handle recess
connecting part
control unit for air condit.
also use: / 357 972 531
F 70-1-084 000>>*
- (27) 7M0972530C
handle recess
connecting part
control unit for air condit.
also use: / 357 972 531
F 70-1-084 000>>*
- 28 3A0972695
flat contact housing / 16 pin
connecting part
for diagnosis plug
- 29 191972701
flat terminal pin housing / 1 pin
coupling piece
wiring harness for engine compartment and lighting
- 30 535972701
flat contact housing / 1 pin
for switching off air conditioner
- 31 1J0972702
flat contact housing / 2 pin
glove box light
coupling piece
thermostat and thermo switch
- wiring harness for video
- (31) 1H0972702A
flat contact housing / 2 pin
connecting part
junction box
F 70-1-048 830>>*
- F 70-1X042 929>>*
- (31) 1J0972704
flat contact housing / 4 pin
potentiometer
for vehicles with 2nd heat exchanger
- 35 191972711
flat connector housing / 1 pin
coupling piece
wiring harness for instrument housing
- 36 191972712
flat connector housing / 2 pin
coupling piece
harness for navigation system
- (36) 191972713
flat connector housing / 3 pin
coupling piece
harness for air conditioner
- 38 1J0972722
flat terminal pin housing / 4 pin
coupling piece
wiring harness for electric fan
- 39 1J0972723
flat terminal pin housing / 6 pin
coupling piece
for electric fan
- (39) 191972724
flat contact housing / 8 pin
coupling piece
wiring harness for fresh- and/or recirculating air operation
- 41 3B0972724
flat contact housing with helper contact catch / 8 pin
control unit for immobiliser with chang code transponder
F >> 70-Y-075 000
- (41) 6Q0972725
flat contact housing with helper contact catch / 10 pin
control unit for immobiliser with chang code transponder
F 70-Y-075 500>>*
- 43 191972733
flat terminal pin housing / 6 pin
coupling piece
wiring harness for steering column combination switch
- (43) 191972734
flat contact housing / 8 pin
wiring harness for electric fan
- (43) 1J0972752
flat contact housing / 2 pin
- (43) 1J0972753
flat contact housing / 3 pin
coupling piece
wiring harness for tail light
- 46 191972761
flat contact housing / 1 pin
connecting part
for fuse box/relay plate
- (46) 191972772
flat contact housing / 4 pin
switch
for vehicles with 2nd heat exchanger
- (46) 1J0972774
flat contact housing / 8 pin
coupling piece
harness for air conditioner
fresh air and heater controls / rear
- 49 1J0972782
flat contact housing / 4 pin
coupling piece
harness for engine compartment
- 50 1J0972784
flat contact housing / 8 pin
coupling piece
wiring harness for additional heater
- 51 3A0973103
flat connector housing / 24 pin
coupling piece
wiring harness
for air conditioner
- 52 1J0973115
flat contact housing / 3 pin
connecting part
sun sensor
- 54 N 01713115
flat fuse 19/2x5 / 30-light green
- wiring harness adapter / camp- mobile
dashboard
- 60 7D0971052KS
wiring harness adapter / camp- mobile: dashboard / manual gearbox
- (60) 7D0971052KT
wiring harness adapter / camp- mobile: dashboard / automatic
- 61 1J0972732
flat terminal pin housing / 4 pin
coupling piece
roof wiring harness
- 62 7D0937701KD
flat contact housing / 1 pin
for fuse box/relay plate
- 63 3B0972712
flat contact housing with helper contact catch / 2 pin
coupling piece
dashboard
- 64 191972701
flat terminal pin housing / 1 pin
coupling piece
wiring harness for automatic



wiring harness for door
wiring harness for door
F >> 70-X-050 348*

(1) 7D0971120AG
wiring harness for door (drivers side)

(1) 7D0971120AP
wiring harness for door (passenger side)

wiring harness for door
F 70-X-050 349>> 70-1-024 000

(1) 7D0971120CT
wiring harness for door (drivers side)

(1) 7D0971120DK
wiring harness for door (passenger side)

wiring harness for door
F 70-1-024 001>>*

(1) 7D0971120EC
wiring harness for door (drivers side)

(1) 7D0971120EN
wiring harness for door (passenger side)

see list of locally- made looms / see no.:
/ 2-235

single parts

single wiring seal
see catalogue: / 198

2 191906231A
flat contact housing / 2 pin
loudspeaker

(3) 8N0971636
flat contact housing / 6 pin
coupling piece
a-pillar

(4) 171611751
grommet / 15/4

5 701971916
bellows / 45,5/51,5/

(5) 357971908A
plug / 49,5

(6) 191972724
flat contact housing / 8 pin
connecting part
switch
for vehicles with rear view mirror electrically operated and heated

8 191972712
flat connector housing / 2 pin
for vehicles with 6 loudspeakers

10 191972723
flat terminal pin housing / 6 pin
for vehicles with rear view mirror electrically operated and heated

F >> 70-X-050 348

(10) 191972724
flat contact housing / 8 pin
for vehicles with rear view mirror electrically operated and heated

F 70-X-050 349>>*

(11) 8N0971636
flat contact housing / 6 pin
connecting part
window regulator motor

(11) 1J0972732
flat terminal pin housing / 4 pin
coupling piece
a-pillar
harness for electric window
F >> 70-X-050 348*

(11) 191972733
flat terminal pin housing / 6 pin
coupling piece
a-pillar
harness for electric window
F 70-X-050 349>>*

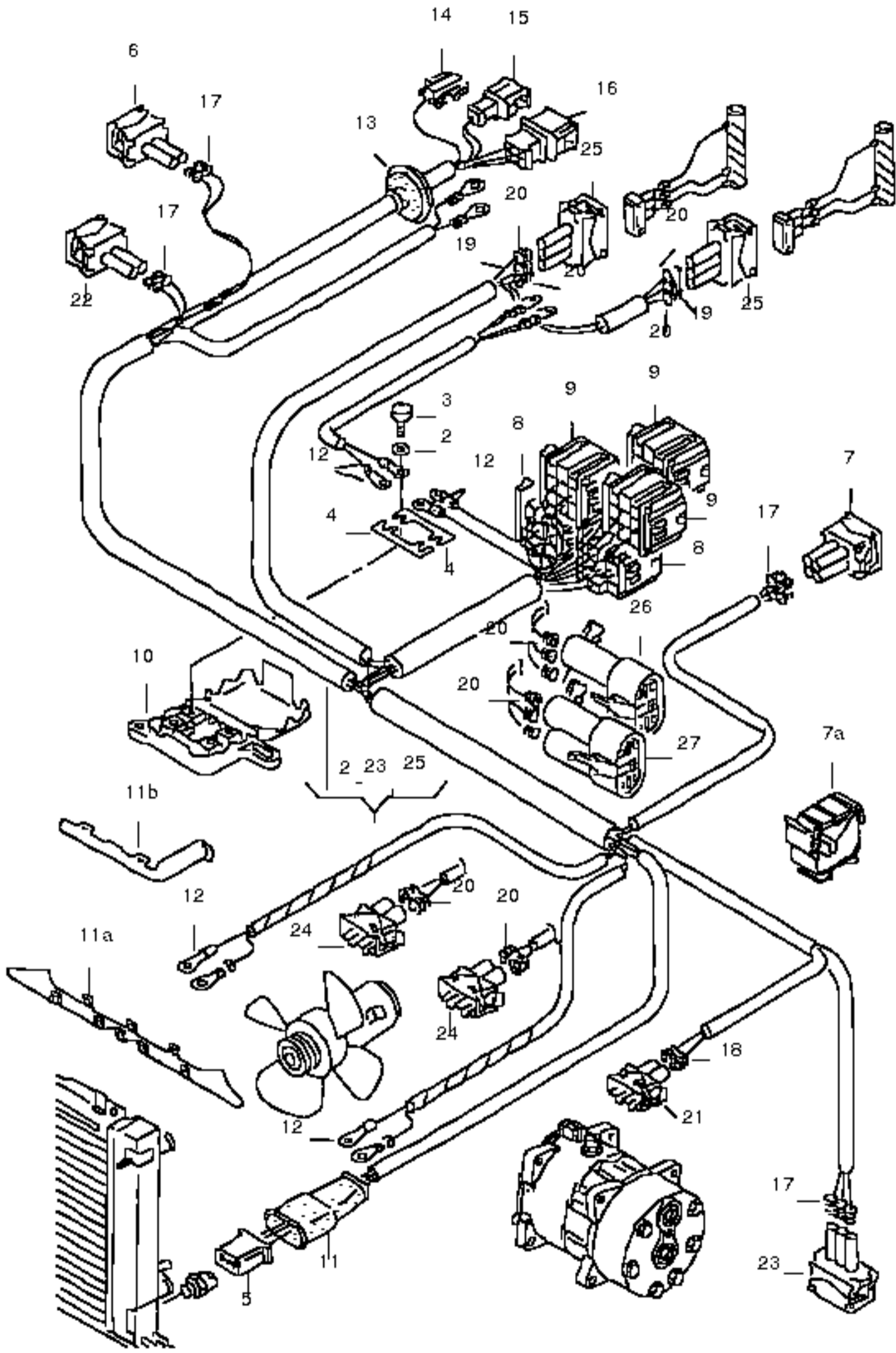
13 357972752
flat contact housing / 2 pin
connecting part
for rear view mirror, electri- cally operated and heated

F >> 70-X-050 348*

(13) 357973215
flat contact housing / 15 pin
electronic control unit
window regulator motor

14 357972753
flat contact housing / 3 pin
rear view mirror
F >> 70-X-050 348*

15 357972754
flat contact housing / 4 pin
central locking system



wiring harness for electric fan
for vehicles with no air conditioning system
for vehicles with manually regulated air conditioner
air conditioner with electronic regulation
see illustration: / 972-67
wiring harness for electric fan

F >> 70-X-050 348*

(1) 7D0971284B
wiring harness for electric fan / 2X200W/350W / PR-AC1

(1) 7D0971284C
wiring harness for electric fan / 2X450W / PR-AC1

(1) 7D1971284BK
wiring harness for electric fan / 2X200W/350W / PR-AC0

(1) 7D1971284BM
wiring harness for electric fan / 2X450W / PR-AC0

(1) 7D1971284BC
wiring harness for electric fan / lhd / air condit. / 2X350W / PR-AC1

(1) 7D1971284BA
wiring harness for electric fan / lhd / air condit. / 2X450W / PR-AC1

(1) 7D1971284BE
wiring harness for electric fan / lhd / air condit.: / 2X350W / PR-AC0

(1) 7D1971284BJ
wiring harness for electric fan / lhd / air condit.: / 2X450W / PR-AC0

(1) 7D2971284BD
wiring harness for electric fan / rhd / air condit.: / 2X350W / PR-AC0

(1) 7D2971284BH
wiring harness for electric fan / rhd / air condit. / 2X450W / PR-AC0

(1) 7D2971284BB
wiring harness for electric fan / rhd / air condit.: / 2X350W / PR-AC1

(1) 7D2971284AT
wiring harness for electric fan / rhd / air condit. / 2X450W / PR-AC1

wiring harness for electric fan

F 70-X-050 349>>*

(1) 7D1971284CN
wiring harness for electric fan / 2X200W/350W / PR-AC0

(1) 7D1971284CQ
wiring harness for electric fan / 2X450W / PR-AC0

(1) 7D1971284CR
wiring harness for electric fan / lhd / air condit.: / 2X350W / PR-AC0

(1) 7D1971284CT
wiring harness for electric fan / lhd / air condit.: / 2X450W / PR-AC0

(1) 7D1971284DP
wiring harness for electric fan / lhd / air condit.: / 2X450W / PR-AC0,
F >> 70-1-050 000* / AJA
F >> 70-1X045 000*

(1) 7D1971284DB
wiring harness for electric fan / lhd / air condit.: / 2X450W / PR-AC0
F 70-1-050 001>>* / AJA
F 70-1X045 001>>*

(1) 7D1971284DS
wiring harness for electric fan / lhd / PR-AC0 / 2X450W / AAB,AJA

(1) 7D0971284F
wiring harness for electric fan / 2X250W/350W / PR-AC1

(1) 7D0971284G
wiring harness for electric fan / 2X450W / PR-AC1

(1) 7D1971284DD
wiring harness for electric fan / lhd / air condit. / 2X350W / PR-AC1

(1) 7D1971284DH
wiring harness for electric fan / lhd / air condit. / 2X450W / PR-AC1

(1) 7D2971284CE
wiring harness for electric fan / rhd / air condit.: / 2X350W / PR-AC0

(1) 7D2971284CG
wiring harness for electric fan / rhd / air condit.: / 2X450W / PR-AC0

(1) 7D2971284CJ
wiring harness for electric fan / rhd / air condit.: / 2X450W / PR-AC0 / AJA / automatic: / AET,AEU

(1) 7D2971284DE
wiring harness for electric fan / rhd / air condit.: / 2X450W / PR-AC0 / AAB,AJA

(1) 7D2971284CM
wiring harness for electric fan / rhd / air condit. / 2X350W / PR-AC1 / AAT

(1) 7D2971284CT
wiring harness for electric fan / rhd / air condit. / 2X350W / PR-AC1

(1) 7D2971284CR
wiring harness for electric fan / rhd / air condit. / 2X450W / PR-AC1
use if required: / 357 906 732 A

single parts

see list of locally- made looms / see no.:

/ 1-284

- N 10311304
insulating tape / 0,15X19X10000

- N 90635517
corrugated pipe in coils of 5m 'order unit 5' / 4,5

- N 90666101
cable tie / 4,5X200
hole/sheet metal thickness: / 6,5/0,6-1,5

- N 90773501
corrugated pipe in coils of 5m 'order unit 5' / 10

2 N 0122253
spring washer / B5X11X0,5
F >> 70-X-050 348*

3 N 01412811
fillister hd. bolt / M5X8
F >> 70-X-050 348*

4 N 0171251
fuse / B50
F >> 70-X-050 348*

(5) 1H0973203
flat contact housing / 3 pin

6 037906240
flat contact housing / 2 pin / air condit.:
valve

7 357919754
flat contact housing / 4 pin
thermal switch

7A 7D0971849
cable holder
connecting part
cross member / front

(8) 3A0973712
flat contact housing / 4 pin / air condit.
connecting part
electric fan control unit

(9) 1H0973204
flat contact housing / 4 pin / air condit.
connecting part
electric fan control unit

10 281937505A
fuse box without fuses

F >> 70-X-050 348*

(11) 357972741
single wiring seal / 5,6X7,8
/ blue
for wire cross section: / 1,0

(11) 357972742
single wiring seal / 9,0X7,8
/ yellow
for wire cross section: / 1,0

11A 701971896A
wiring conduit / PR-AC1

(11A) 701971896
wiring conduit / PR-AC0
F >> 70-W-250 000*

(11A) 7D1971896
wiring conduit / PR-AC0
F 70-X-000 001>>*

11B 701971897C
wiring conduit / PR-AC0

12 443955665
connecting hose / 4X30

(12) N 90450201
protective cap / A10X12
covering
nut / M6

13 021971907A
grommet / 33/9
F >> 70-X-050 348* / air condit.

(13) 1H0971913C
grommet
F 70-X-060 001>>*

14 191972701
flat terminal pin housing / 1 pin / air condit.

15 191972712
flat connector housing / 2 pin / air condit.
for vehicles with 2nd heat exchanger

16 191972733
flat terminal pin housing / 6 pin / air condit.
connecting part
wiring harness for dash panel

(17) 357972741
single wiring seal / 5,6X7,8
/ blue
for wire cross section: / 1,0

17 357972741A
single wiring seal / 5,6X7,8
/ red
for wire cross section: / 1,5

18 357972741B
single wiring seal / 5,6X7,8
/ yellow orange
for wire cross section: / 2,5

(18) 357972742
single wiring seal / 9,0X7,8
/ yellow
for wire cross section: / 1,0

19 357972742B
single wiring seal / 9,0X7,8
/ red
for wire cross section: / 2,5

20 357972742C
single wiring seal / 9,0X7,8
/ green
for wire cross section: / 4,0

(20) 357972744
single wiring seal / 16,2X15,0
/ orange
for wire cross section: / 4,0
for vehicles with no air conditioning system

(20) 357972744A
single wiring seal / 16,2X15,0
/ light blue
for wire cross section: / 6,0

(21) 357972761
flat contact housing / 1 pin
coupling piece
wiring harness for engine compartment and lighting

21 357972752
flat contact housing / 2 pin / air condit.

22 357972752
flat contact housing / 2 pin / air condit.
for vehicles with 2nd heat exchanger

23 357972754
flat contact housing / 4 pin / air condit.
pressure switch

(23) 357919754
flat contact housing / 4 pin / air condit.
/ rhd

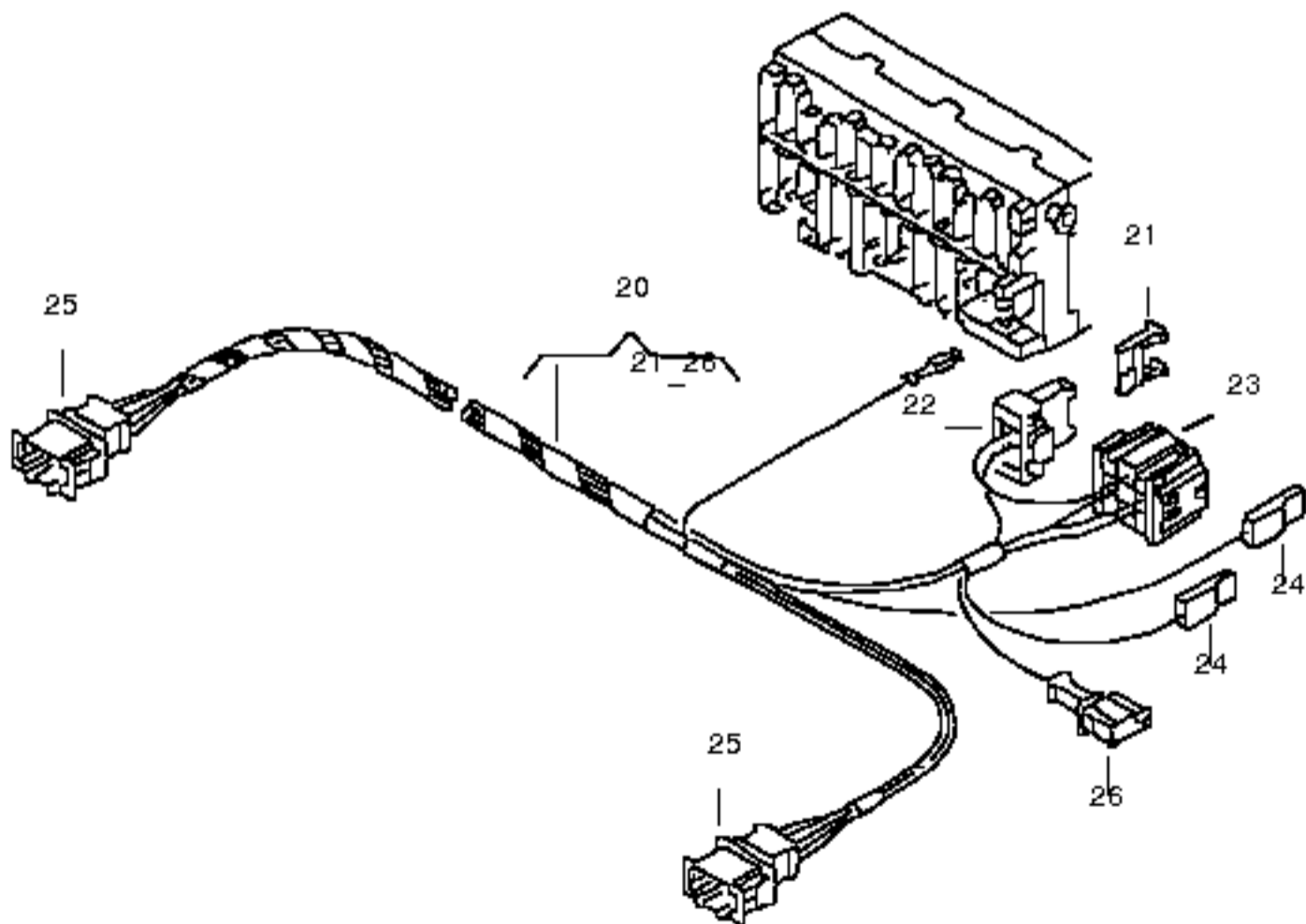
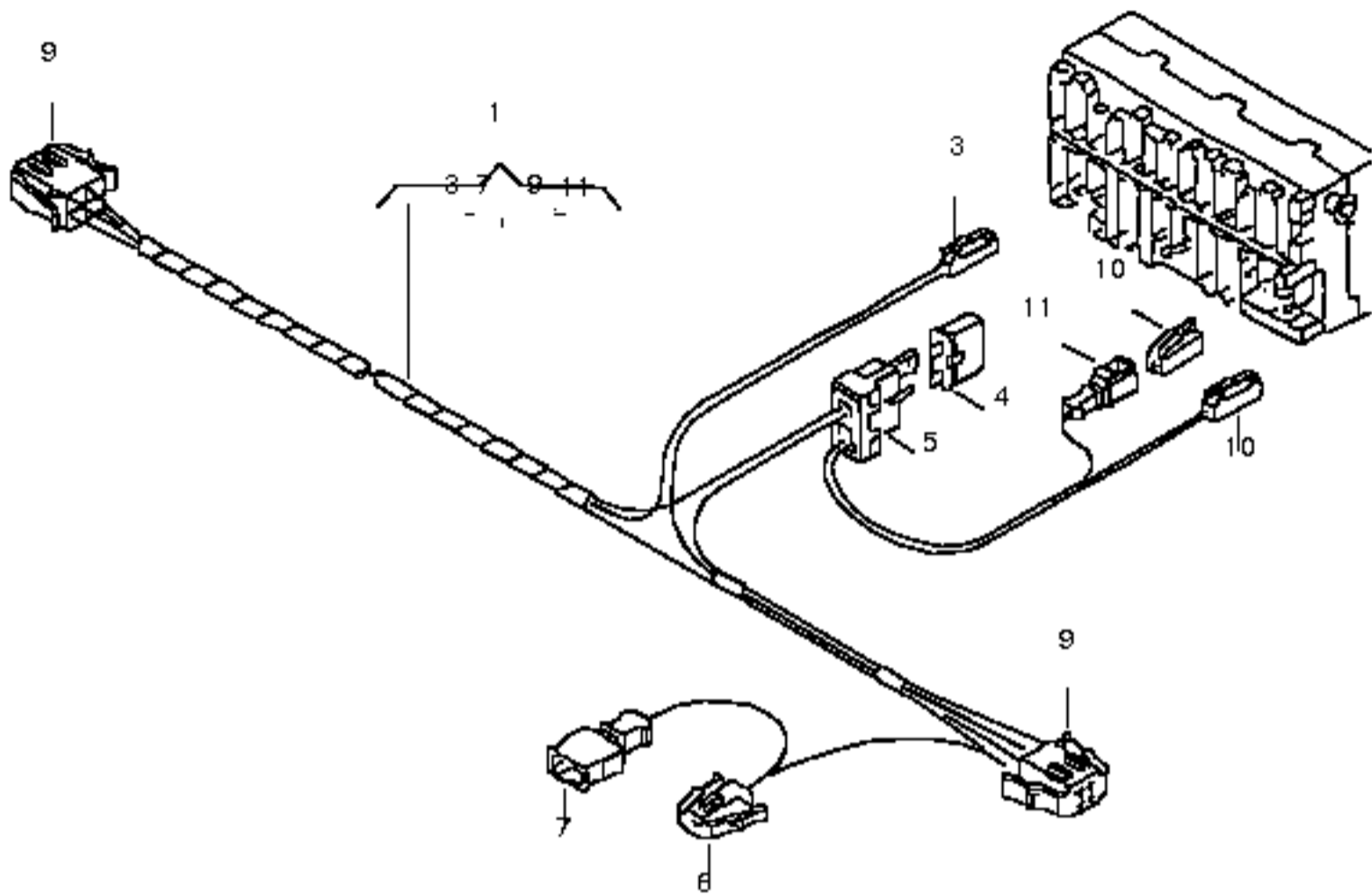
24 357972772
flat contact housing / 2 pin
/ 2X200W/2X350W

(24) 1H0973204
flat contact housing / 4 pin
/ 2X450W

(25) 1H0906233
flat contact housing / 3 pin / air condit.

26 701973203
flat contact housing / 3 pin
relay
for vehicles with no air conditioning system

27 701973203A
flat contact housing / 3 pin
relay
for vehicles with no air conditioning system



harness for electric window
 wiring harness for rear view mirror
 wiring harness adapter
 rear view mirror, electrically operated and heated
 / and
 window regulator electrically operated
 harness for electric window

1 7D0971160
 harness for electric window
 F >> 70-X-050 348*

(1) 7D0971160B
 harness for electric window
 F 70-X-050 341>> 70-X-094 938*
 F 70-X-050 341>> 70-1X089 767*
 F 70-1-094 939>>*
 F 70-1X089 767>>*
 see illustration: / 972-41 POS 20

3 701906231
 flat contact housing / 1 pin
 connecting part
 junction box
 F >> 70-X-050 348*

4 443937105A
 thermal fuse / 30A

5 191937501
 bracket for thermo switch

6 191972701
 flat terminal pin housing / 1 pin
 coupling piece
 harness for interior light

7 191972711
 flat connector housing / 1 pin
 coupling piece
 harness for interior light

9 1J0972722
 flat terminal pin housing / 4 pin
 coupling piece
 wiring harness for door

10 3A0972751H
 flat contact housing / 1 pin
 connecting part
 junction box
 F >> 70-X-050 348*

(10) 7D0937711
 flat contact housing with helper contact catch / 1 pin
 connecting part
 junction box
 F 70-X-050 349>>*

11 3A0972761H
 flat contact housing / 1 pin

(20) 7D1972235
 wiring harness adapter
 for rear view mirror, electrically operated and heated
 F >> 70-X-050 348*
 F >> 70-XX048 165*

(20) 7D0972235C
 wiring harness adapter
 for rear view mirror, electrically operated and heated
 F 70-X-050 349>> 70-X-094 938
 F 70-XX048 166>> 70-XX089 767

(20) 7D0972235C
 wiring harness adapter
 for rear view mirror, electrically operated and heated
 and/or
 for electric window regulators
 F 70-X-094 938>>
 F 70-XX089 767>>

(24) 701906231
 flat contact housing / 1 pin
 connecting part
 central electrics

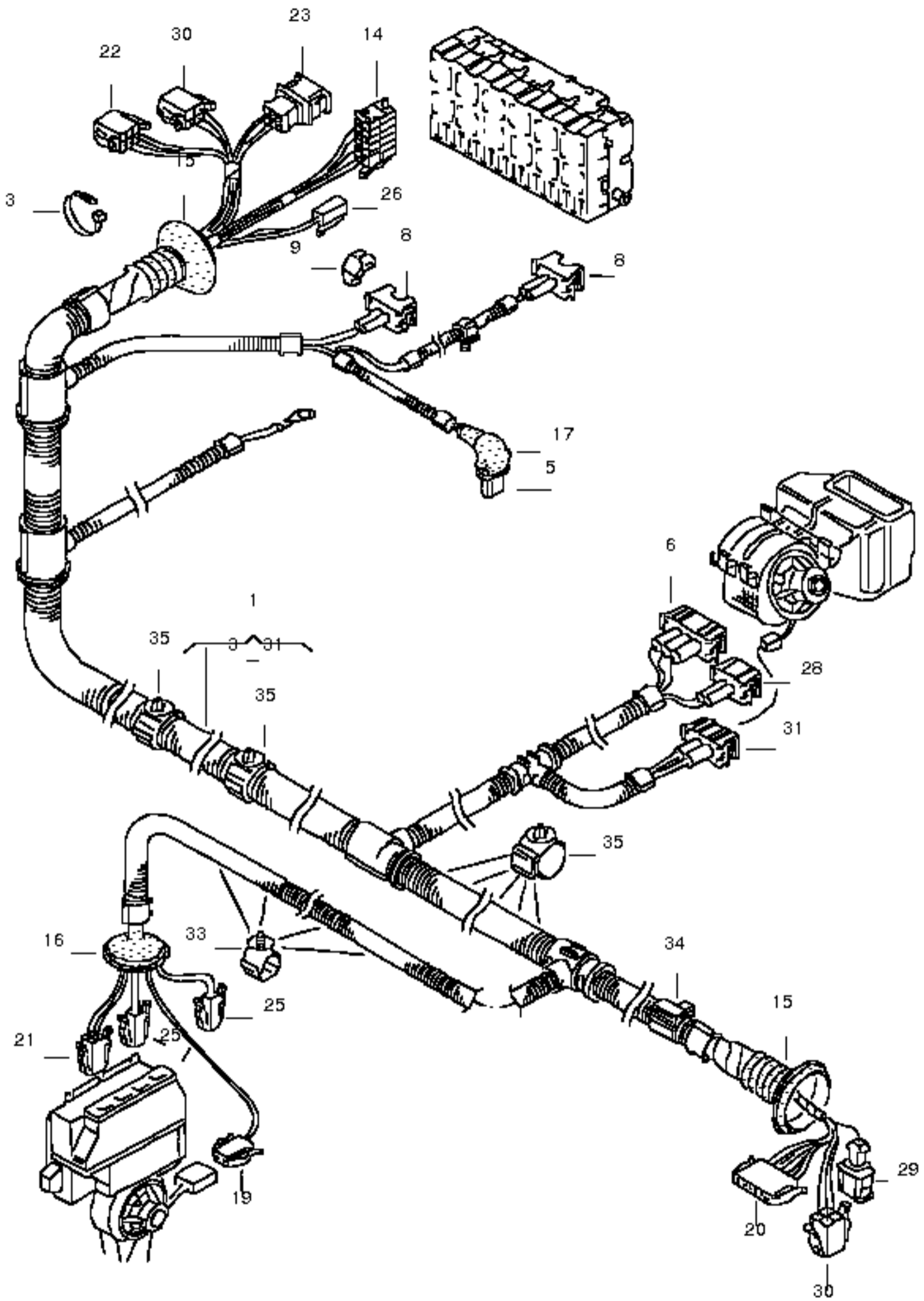
(24) 7D0937701KD
 flat contact housing / 1 pin
 connecting part
 junction box
 F 70-X-050 349>>*

(24) 191972711
 flat connector housing / 1 pin
 coupling piece
 harness for electric window

25 191972733
 flat terminal pin housing / 6 pin
 coupling piece
 wiring harness for door

(26) 3A0972751H
 flat contact housing / 1 pin
 connecting part
 ground connector

26 191972761
 flat contact housing / 1 pin
 coupling piece
 wiring harness for heated rear window



wiring harness for electronic- ally regulated air conditioner
for vehicles with 2nd evaporator / rear
and/or wiring harness for brake pad wear indicator / front and rear / 2 point

wiring harness adapter
tail light
see illustration also: / 972-82

wiring harness for electronically regulated air conditioner

for vehicles with 2nd evaporator / rear
and/or wiring harness for brake pad wear indicator / front and rear
/ 2 point
F >> 70-X-250 000*

1 7D1971565D
wiring harness for electronically regulated air conditioner / lhd

(1) 7D2971565J
wiring harness for electronically regulated air conditioner / rhd

wiring harness for electronically regulated air conditioner

for vehicles with 2nd evaporator / rear
and/or wiring harness for brake pad wear indicator / front and rear
/ 2 point
F 70-Y-000 001>>

(1) 7D1971565K
wiring harness for electronically regulated air conditioner / lhd

(1) 7D2971565T
wiring harness for electronically regulated air conditioner / rhd

corrugated pipe
junction
single wiring seal
see catalogue: / 198

single parts

3 N 90666101
cable tie / 4,5X200

5 443906231
flat terminal pin housing / 2 pin

6 1H0906233
flat contact housing / 3 pin
connecting part
for vehicles with 2nd heat exchanger

8 037906240
flat contact housing / 2 pin
connecting part
solenoid change-over valve
heat exchanger
switch for temperature sensor

9 357906732A
angled protective cap / 2 pin

(9) 357915971A
flat terminal pin housing / 1 pin
connecting part / rhd
central electrics

14 357945968
flat contact housing with helper contact catch / 12 pin

connector location: / K

15 1H0971840
grommet / 46/10,5

16 1H0971913C
grommet / 33,5,6/10

17 867972525A
protective cap

18 191972701
flat terminal pin housing / 1 pin
connecting part
licence plate light

(19) 1J0972702
flat contact housing / 2 pin
connecting part
evaporator / rear

(20) 1J0972707
flat contact housing / 7 pin
connecting part
brake, turn signal and taillights
/ right

(21) 191972711
flat connector housing / 1 pin
coupling piece
wiring harness for telephone

21 1J0972722
flat terminal pin housing / 4 pin
connecting part
evaporator / rear

22 191972723
flat terminal pin housing / 6 pin
coupling piece
wiring harness for air conditioner operation

23 191972733
flat terminal pin housing / 6 pin
coupling piece
wiring harness for air conditioner operation

25 191972751
flat contact housing / 1 pin
connecting part
evaporator / rear
for rear window glass heated

26 3A0972751H
flat contact housing / 1 pin
connecting part
junction box

28 357972752
flat contact housing / 2 pin
connecting part
heat exchanger

29 191972761
flat contact housing / 1 pin
connecting part
rear fog light

30 191972772
flat contact housing / 4 pin
coupling piece
wiring harness for air conditioner operation

31 357972772
flat contact housing / 2 pin
connecting part
blower
heat exchanger

(31) 1J0973702
flat connector housing / 2 pin
connecting part / black
brake pad wear display / left front
brake pad wear display / right rear

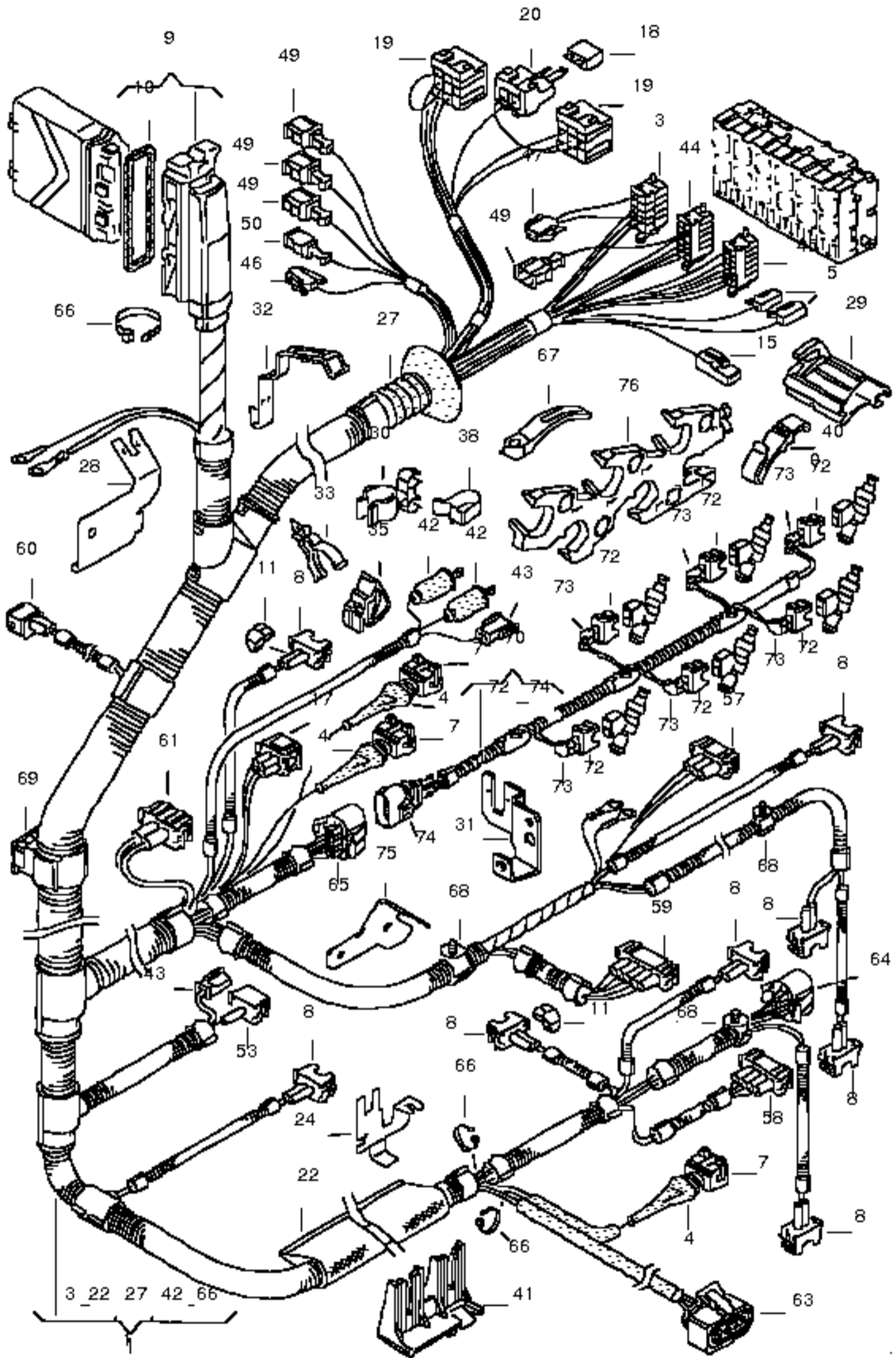
(31) 443906102G
grommet / 13,5X19

(31) 1J0906102
grommet / 8,2X40

33 N 90666101
cable tie / A4,5
no replacement part
use instead -> -> -> -> -> -> / N 906 661 01

(34) N 90666101
cable tie / 4,5X200

35 N 90681701
clip
no replacement part
use instead -> -> -> -> -> -> / N 906 661 01



harness for engine compartment / AES,AMV

wiring harness for engine / AES,AMV

harness for engine compartment

F >> 70-X-051 760 / AES

(1) 7D1971072KF

harness for engine compartment / lhd

(1) 7D1971072FQ

harness for engine compartment / lhd
for models with electric tachograph

(1) 7D1971072KG

harness for engine compartment / lhd / automatic

(1) 7D1971072KH

harness for engine compartment / lhd / automatic
for models with electric tachograph

(1) 7D2971072EJ

harness for engine compartment / rhd / automatic

harness for engine compartment
F 70-X-051 761>> 70-Y-200 000 / AES

(1) 7D1971072KB

harness for engine compartment / lhd

(1) 7D1971072KA

harness for engine compartment / lhd
for models with electric tachograph

F >> 70-X-250 000

(1) 7D1971072KC

harness for engine compartment / lhd / automatic

(1) 7D1971072KD

harness for engine compartment / lhd
for models with electric tachograph

F >> 70-X-250 000 / automatic

(1) 7D2971072GT

harness for engine compartment / rhd / automatic

(1) 7D2971072H

harness for engine compartment / rhd / automatic
for models with electric tachograph

harness for engine compartment / automatic:
F 70-1-000 001>> / AMV

(1) 7D1971072SA

harness for engine compartment / lhd

(1) 7D1971072SL

harness for engine compartment / lhd
for alternator: / 150A

F >> 70-1-200 000

(1) 7D1971072SM

harness for engine compartment / lhd
for vehicles with electroni- cally regulated air condit.

F >> 70-1-200 000

(1) 7D1971072SB

harness for engine compartment / lhd
for vehicles with electroni- cally regulated air condit.

F 70-2-000 001>>

(1) 7D2971072NR

harness for engine compartment / rhd

(1) 7D2971072NC

harness for engine compartment / rhd
for alternator: / 150A

F >> 70-1-200 000

(1) 7D2971072ND

harness for engine compartment / rhd
for vehicles with electroni- cally regulated air condit.

F >> 70-1-200 000

(1) 7D2971072NS

harness for engine compartment / rhd
for vehicles with electroni- cally regulated air condit.

F 70-2-000 001>>

single parts

3 357903968

flat contact housing with helper contact catch / 10 pin

connector location: / F

(3) 357919968A

flat contact housing with helper contact catch / 5 pin / AMV

connector location: / E

4 893906102

grommet / 17,5X22

5 701906231

flat contact housing / 1 pin

7 443906233

flat contact housing / 3 pin / AES

connecting part

anti-knock sensor

speed sender

(7) 1J0973703B

flat contact housing with helper contact catch / 3 pin / AMV

/ black

connecting part

anti-knock sensor

(7) 1J0973723G

flat contact housing / 3 pin / AMV

connecting part / grey

speed sender

8 037906240

flat contact housing / 2 pin

connecting part

crankcase

heater

solenoid change-over valve

valve

temperature sensor

exhaust recirculation valve

outer temperature sensor

alternator / >>70-1-200000

(8) 1J0973772

flat connector housing with additional contact catch / 2 pin

connecting part

alternator

F 70-2-000 001>>

9 1H0906365

flat contact housing with gasket / 68 pin / AES

connecting part

electronic control unit

(9) 1J0906385C

flat contact housing / 81-pin / AMV

connecting part

electronic control unit

(9) 038906379B

flat contact housing / 40 pin / AMV

connecting part

electronic control unit

10 1H0906375

gasket / 16X105

11 357906732A

angled protective cap / 2 pin

(15) 357972753

flat contact housing / 3 pin

connecting part

water level switch

also use: / 357 972 841

- 357972841

plug / 5,6X7,8

18 443937105A

thermal fuse / 30A

19 161937501B

relay plate / 9 pin

connecting part

secondary air pump

additional water pump

(19) 3B0972726

flat contact housing / 12 pin / AMV

coupling piece

wiring harness

accelerator pedal sender

(19) 191972724

flat contact housing / 8 pin / AMV

coupling piece

wiring harness for automatic gearbox

(19) 1J0972722

flat terminal pin housing / 4 pin / AMV

coupling piece

wiring harness for cruise control system

20 191937501

bracket for thermo switch

22 7D0971461

heat insulating / 30X580

24 7D0971787

bracket for connector housing

connecting part

flat contact housing

anti-knock sensor

27 1H0971840

grommet / 46/10,5

28 7D0971843B

cable holder

connecting part

cylinder / I

lambda probe

29 1H0971615J

clip

connecting part

wiring

starter

30 701971787P

retainer

31 021971824F

bracket for connector housing

connecting part

flat contact housing

injection unit

(31) 021971824H

bracket for connector housing / AMV

connecting part

flat contact housing

(31) 7D0971501

holder for wiring harness / AMV

32 7D0971842

cable holder / rhd

33 6K0971847A

retainer

35 6N0971848K

cable holder / rhd

38 321971897

clip

40 701971898K

retainer

connecting part

brake booster

41 7D0971899A

clip

connecting part

flat contact housing

lambda probe

42 811971867

grommet / 10X32

connecting part

oil pressure switch

43 191971922

flat terminal pin housing / 1 pin

connecting part

for oil temperature gauge

multi-function indicator

starter / 50

44 357971967

flat contact housing with helper contact catch / 12 pin

connector location: / G1

45 357971967A

flat contact housing with helper contact catch / 12 pin

connector location: / G2

46 191972701

flat terminal pin housing / 1 pin

connecting part

for vehicles with air condit.

(47) 1J0972702

flat contact housing / 2 pin

for models with electric tachograph

49 191972711

flat connector housing / 1 pin

coupling piece

50 535972711

flat contact housing / 1 pin

connecting part

for vehicles with air condit.

(50) 191972712

flat connector housing / 2 pin

coupling piece / rhd

wiper motor

53 357972751

flat contact housing / 1 pin

connecting part

starter / 61

(53) 1J0972752

flat contact housing / 2 pin / automatic

57 357972753

flat contact housing / 3 pin

connecting part

distance sensor

(57) 1J0973723

flat contact housing / 3 pin

connecting part

hall sender

58 357972754

flat contact housing / 4 pin / AES

connecting part

air volume meter

(58) 1J0973775A

flat contact housing with helper contact catch / 5 pin / AMV

/ SCHWARZ/ROT

connecting part

air volume meter

59 357972755

flat contact housing / 5 pin / AES

connecting part

ignition transformer

(59) 1J0973724

flat contact housing / 4 pin / AMV

connecting part / black

ignition coil with spark plug connector

60 357972752

flat contact housing / 2 pin

connecting part

outer temperature sensor

61 357972772

flat contact housing / 2 pin

connecting part

secondary air pump

63 3A0973204

flat contact housing / 4 pin / AES

connecting part / black

lambda probe

(63) 1J0973733

flat contact housing / 6 pin / AMV

connecting part

lambda probe / I

(63) 1J0973724A

flat contact housing / 4 pin / AMV

connecting part / brown

lambda probe / II

64 3A0973714

flat contact housing / 8 pin / AES

connecting part

throttle valve control unit

(64) 1J0973713

flat contact housing / 6 pin / AMV

connecting part

throttle valve control unit

65 3A0973715

flat contact housing / 10 pin / AES

coupling piece

valve unit

(65) 1J0973715

flat contact housing / 10 pin / AMV

coupling piece

valve unit

66 N 0209022

cable tie / 6X246

67 N 90643701

cable tie with retainer for welded pin: / 10X187

/ 5

68 N 90666101

cable tie / 4,5X200

69 N 90698201

bracket for corrugated pipe / 26

wiring harness for engine / AES

70 021971595AC

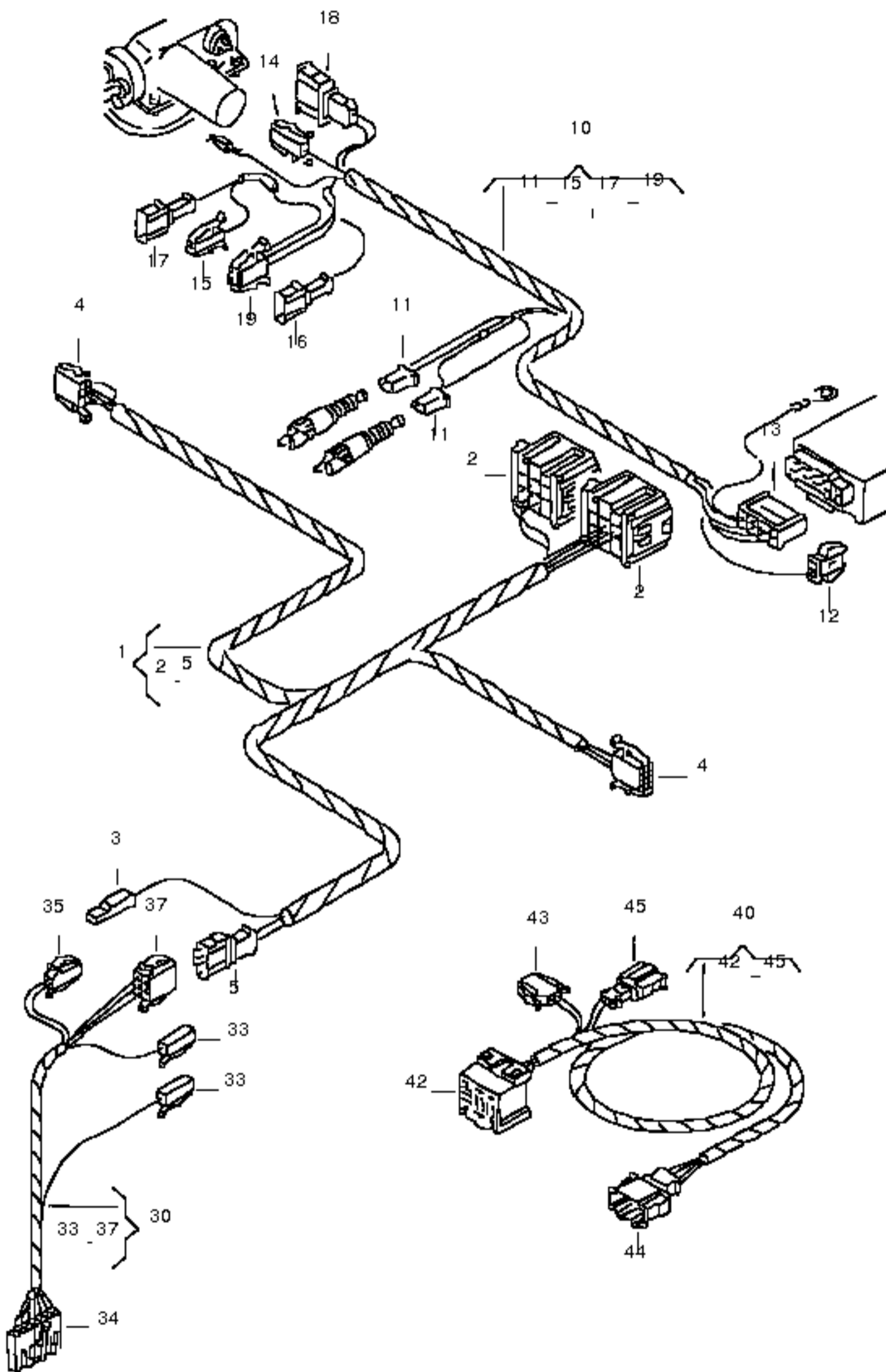
wiring harness for engine

F >> 70-Y-200 000 / AES

(70) 021971595AM

wiring harness for engine

F 70-1-000 001>> / AMV



wiring harness for heated seat
wiring harness for cruise control system

F >> 70-X-050 348*
wiring harness for heated seat
F >> 70-X-050 348*
F 70-X-050 349>>*
see illustration: / 972-21

(1) 7D1971381B
wiring harness for heated seat

(1) 7D2971381A
wiring harness for heated seat / rhd

single parts

2 161937501B
relay plate / 9 pin
(drivers side)
(driver and passenger side)

(3) 3A0972751H
flat contact housing / 1 pin
connecting part
ground connector

(4) 1J0972722
flat terminal pin housing / 4 pin
coupling piece
(swivelling seat)

4 191972723
flat terminal pin housing / 6 pin
heater element-seat
(drivers side)
(driver and passenger side)

5 191972733
flat terminal pin housing / 6 pin
connecting part
wiring harness for heated seat
potentiometer

- 7D1937403
bracket for connector housing

wiring harness for cruise control system

(10) 7D0971425B
wiring harness for cruise control system

(10) 7D0971425C
wiring harness for cruise control system / automatic

see list of locally- made looms / see no.:
/ 1-425

single parts

11 443906231
flat terminal pin housing / 2 pin
connecting part
valve

12 893971632
flat contact housing / 3,5
connecting part
electronic control unit

15 191972701
flat terminal pin housing / 1 pin / automatic
coupling piece
wiring harness for automatic gearbox

(17) 701906231
flat contact housing / 1 pin
connecting part
junction box

18 191972713
flat connector housing / 3 pin
connecting part
pump

19 1J0972722
flat terminal pin housing / 4 pin
connecting part
wiring harness for steering column combination switch

(19) 1J0972726
flat contact housing with helper contact catch / 12 pin

connecting part
control unit for cruise control system

wiring harness for heated seat
potentiometer

30 701971381F
wiring harness for heated seat
potentiometer

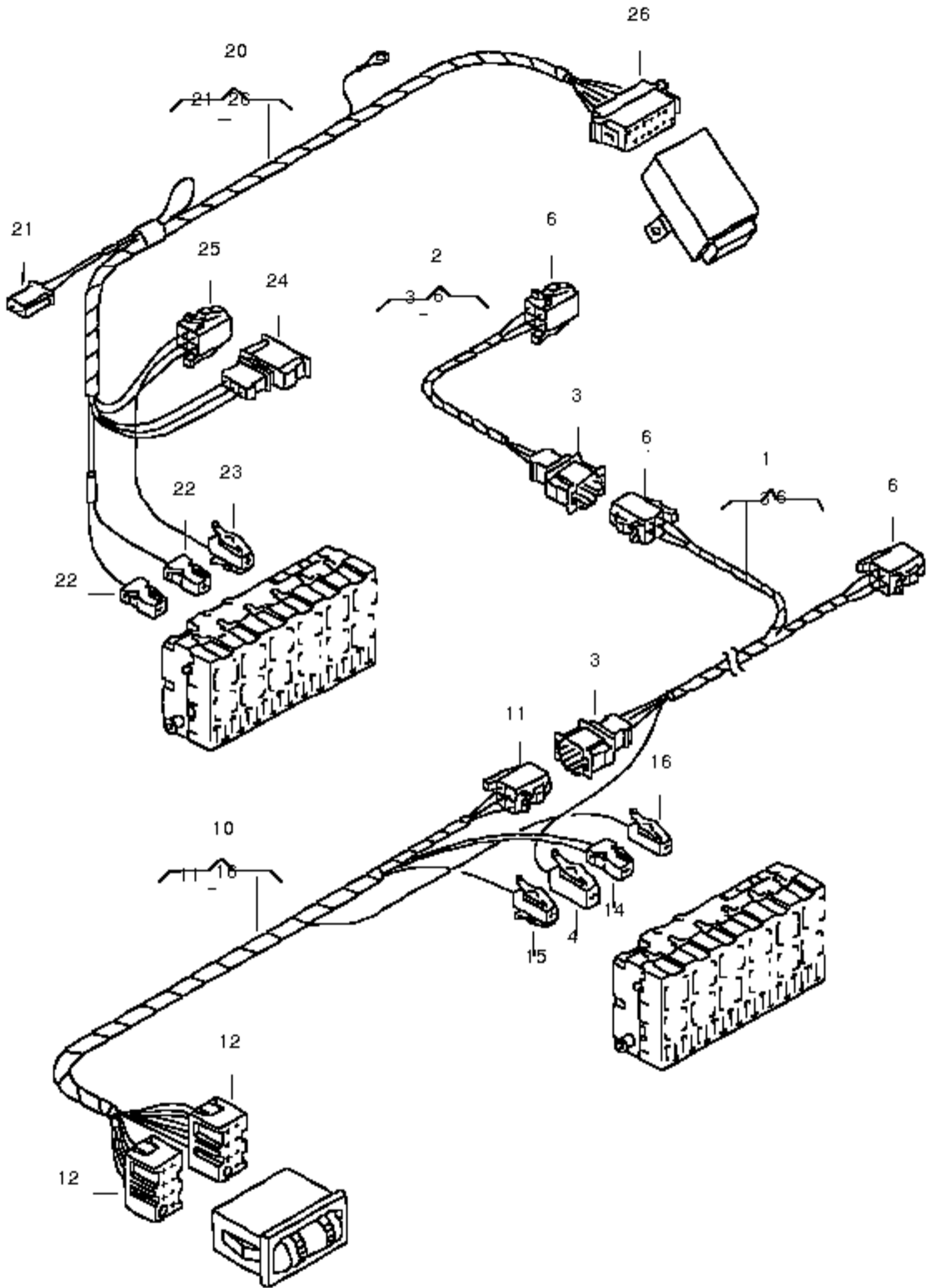
single parts

33 701906231
flat contact housing / 1 pin
connecting part
junction box
ground connector

34 321971946
flat contact housing / 7 pin
connecting part
potentiometer

35 191972701
flat terminal pin housing / 1 pin

37 191972723
flat terminal pin housing / 6 pin
coupling piece
wiring harness for heated seat



wiring harness for heated seat
wiring harness for cruise control system

F 70-X-050 349>>*
wiring harness for heated seat

1 7D1971381D
wiring harness for heated seat / lhd

(1) 7D2971381C
wiring harness for heated seat / rhd

2 7D0971381F
wiring harness for heated seat
adapter
electronic control unit

single parts

3 1J0972732
flat terminal pin housing / 4 pin
coupling piece
wiring harness for heated seat
potentiometer

4 3A0972751H
flat contact housing / 1 pin
connecting part
junction box

6 1J0972722
flat terminal pin housing / 4 pin
coupling piece
heater element-seat

wiring harness for heated seat
potentiometer

10 7D0971381E
wiring harness for heated seat
potentiometer

single parts

11 1J0972722
flat terminal pin housing / 4 pin
coupling piece
wiring harness for heated seat

12 8L0971972
flat connector housing / 6 pin
connecting part
switch for seat heating

14 7D0937701KD
flat contact housing / 1 pin
connecting part

15 191972701
flat terminal pin housing / 1 pin
coupling piece
wiring harness for relay
(ADAPTERLEITUNG - SITZ)

16 701906231A
flat contact housing / 1 pin
junction box

wiring harness for cruise control system / not for: / TDI
F >> 70-X-200 000

(20) 7D0971425D
wiring harness for cruise control system

(20) 7D0971425E
wiring harness for cruise control system / automatic

wiring harness for cruise control system / not for: / TDI
F 70-Y-000 001>>

20 7D0971425G
wiring harness for cruise control system / automatic

(20) 7D0971425F
wiring harness for cruise control system

single parts

21 443906231
flat terminal pin housing / 2 pin
connecting part
valve

22 7D0937701KD
flat contact housing / 1 pin
connecting part

23 191972701
flat terminal pin housing / 1 pin
connecting part
junction box

24 191972713
flat connector housing / 3 pin
connecting part
pump

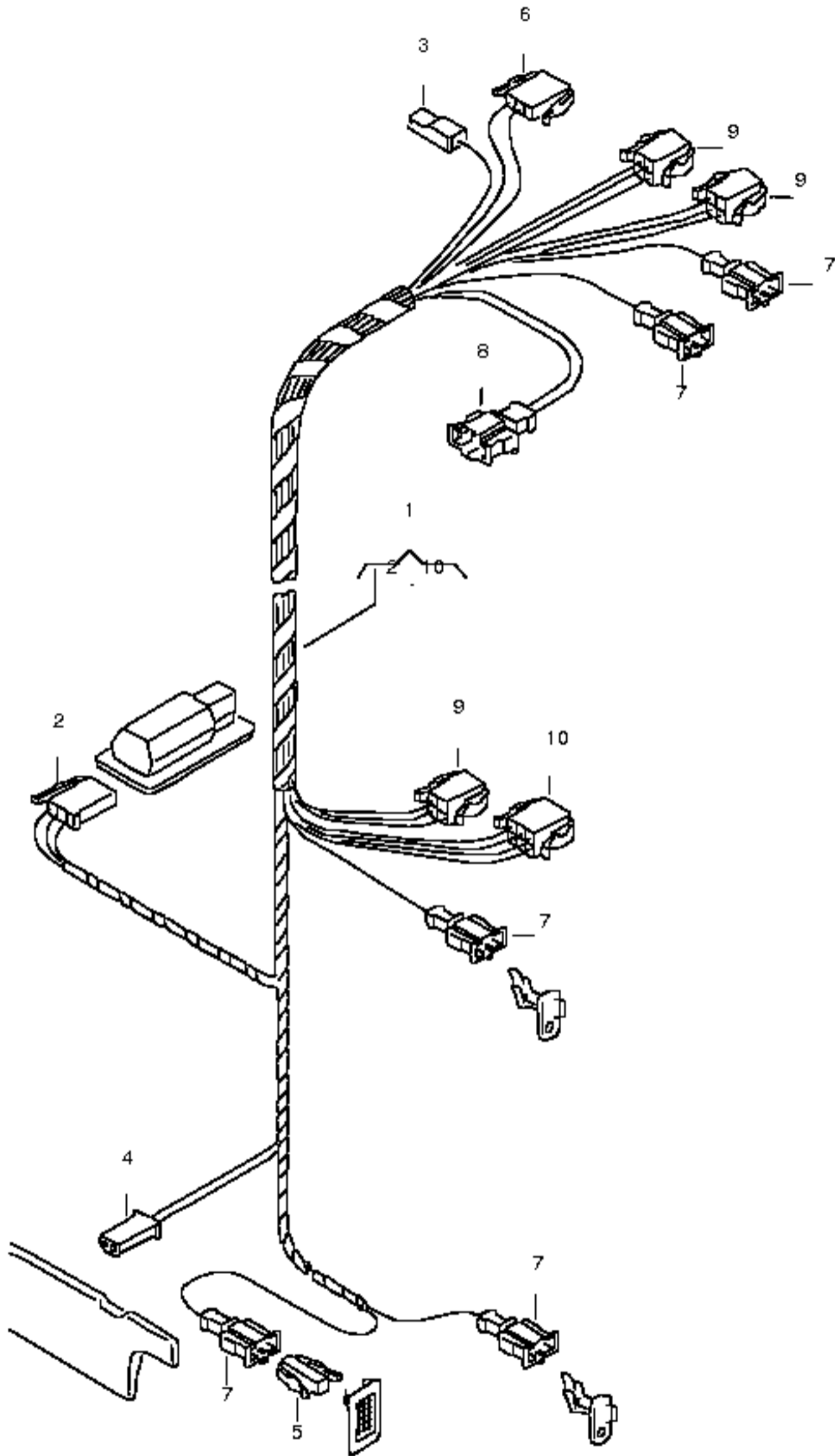
25 1J0972722
flat terminal pin housing / 4 pin
connecting part
wiring harness for steering column combination switch

(26) 1J0972726
flat contact housing with helper contact catch / 12 pin

connecting part
control unit for cruise control system

F >> 70-X-200 000

26 443972523A
flat terminal pin housing / 12 pin
connecting part
control unit for cruise control system



harness for interior light / camp- mobile

(1) 7D1971101AB

harness for interior light for vehicles with auxiliary heater
use if required: / 1J0 972 924
F >> 70-X-050 348*

(1) 7D1971101CE

harness for interior light for vehicles with auxiliary heater
F 70-X-050 349>> 70-Y-200 000*

(1) 7D0971101AC

harness for interior light for vehicles with auxiliary heater
F 70-1-000 001>>

2 191906231B

flat contact housing / 3 pin connecting part interior light

(3) 3A0972751H

flat contact housing / 1 pin connecting part ground connector

4 171971999A

rd. connector sleeve housing / 2 pin connecting part mirror

5 191972701

flat terminal pin housing / 1 pin coupling piece step light / right

(5) 1J0972702

flat contact housing / 2 pin

(6) 1J0972924

flat contact housing / 3 pin coupling piece outer temperature sensor

7 191972711

flat connector housing / 1 pin coupling piece wiring harness for door contact switch

(7) 7D0937701KD

flat contact housing / 1 pin coupling piece wiring harness for door contact switch
F 70-X-050 349>>*

8 191972712

flat connector housing / 2 pin coupling piece clock

9 1J0972722

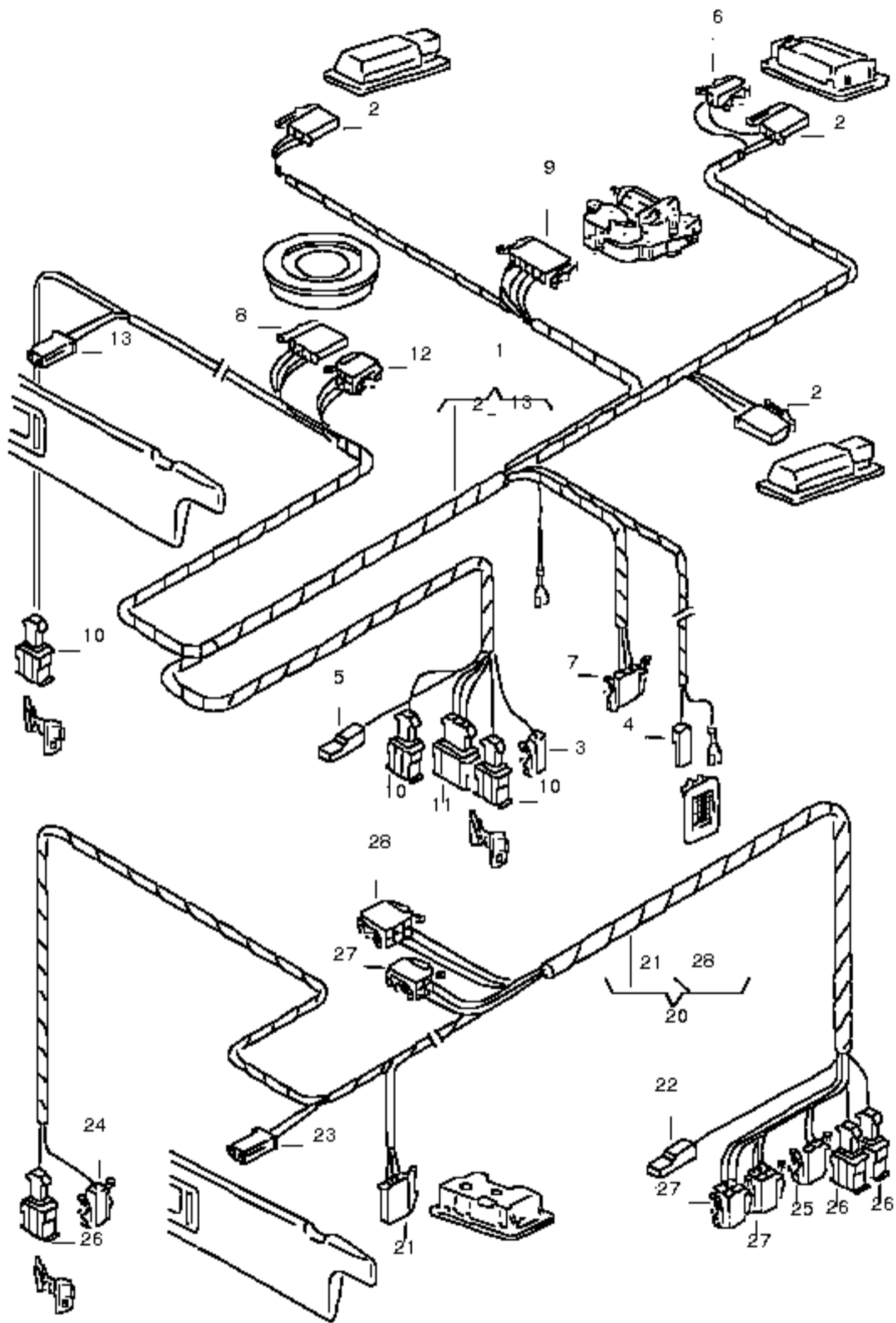
flat terminal pin housing / 4 pin coupling piece wiring harness for dash panel loudspeaker

10 191972723

flat terminal pin housing / 6 pin

(10) 3A0972751H

flat contact housing / 1 pin



harness for interior light
 harness for interior light / and
 electric socket
 wiring harness
 step light
 harness for interior light
 F >> 70-X-050 348*

(1) 7D1971101AF
 harness for interior light / bus / kombi van

(1) 7D7971101D
 harness for interior light / double cab / pick-up

(1) 7D1971101AK
 harness for interior light / bus
 for vehicles with sliding roof / kombi van

harness for interior light
 F 70-X-050 349>>*

(1) 7D0971101G
 harness for interior light / double cab / pick-up

(1) 7D0971101AA
 harness for interior light / bus / kombi van

(1) 7D0971101S
 harness for interior light / bus
 for vehicles with sliding roof / kombi van

wiring harness
 step light

- 7D0972229
 wiring harness
 step light
 for models with electric sliding sunroof

see list of locally- made looms / see no.:
 / 1-101

single parts

- 7D0971897A
 cable holder
 connecting part
 a-pillar

(2) 7D0937701KD
 flat contact housing / 1 pin
 connecting part
 junction box
 F 70-X-050 349>>*

3 3A0972751H
 flat contact housing / 1 pin

4 111971921B
 flat terminal pin housing / 1 pin
 connecting part
 step light

5 431971995
 flat terminal pin housing / 1 pin
 ground connector

6 191972701
 flat terminal pin housing / 1 pin

(6) 1J0972702
 flat contact housing / 2 pin
 connecting part
 door contact switch
 for sliding door

(7) 1J0972924
 flat contact housing / 3 pin
 central locking system

- 3B0972703
 flat contact housing with helper contact catch / 3 pin

connecting part
 interior light / rear / MULTIVAN

8 1J0972704
 flat contact housing / 4 pin

9 191972706
 flat contact housing / 6 pin

10 191972711
 flat connector housing / 1 pin

11 191972713
 flat connector housing / 3 pin
 for vehicles with central locking system

wiring harness for halogen interior light

F >> 70-X-050 348*

- 7D3971101E
 wiring harness for halogen interior light / 1 point
 / and interior light drivers cab

- 7D3971101F
 wiring harness for halogen interior light / 2 point
 / and interior light drivers cab

- 7D3971101G
 wiring harness for halogen interior light / 2 point

- 7D3971101H
 wiring harness for halogen interior light / 1 point

- 7D3971101J
 wiring harness for halogen interior light / 2 point / high roof

wiring harness for halogen interior light

F 70-X-050 349>>*

- 7D3971101R
 wiring harness for halogen interior light / 2 point
 / but with: interior light drivers cab

- 7D3971101S
 wiring harness for halogen interior light / 2 point

- 7D3971101AA
 wiring harness for halogen interior light / 2 point / high roof

single parts

- 191906231B
 flat contact housing / 3 pin
 connecting part
 interior light / front

- 701906231
 flat contact housing / 1 pin
 connecting part
 ground connector
 F >> 70-X-050 348*

- 7D0937701KD
 flat contact housing / 1 pin
 connecting part
 ground connector
 F 70-X-050 349>>*

- 4B0971848
 cable holder / 6MM

- 111971921B
 flat terminal pin housing / 1 pin
 connecting part
 interior light / rear

- 191972701
 flat terminal pin housing / 1 pin

- 1J0972702
 flat contact housing / 2 pin
 coupling piece
 wiring harness for door contact switch

- 191972711
 flat connector housing / 1 pin
 coupling piece
 for door contact
 warning lamp for hand brake

- 3A0972751H
 flat contact housing / 1 pin
 ground connector
 for fuse box/relay plate

- 3A0972761H
 flat contact housing / 1 pin
 coupling piece
 harness for interior light

harness for interior light / and
 electric socket

- 7D1971196
 harness for interior light / and
 electric socket
 for vehicles with 2nd battery

- 7D3971196A
 wiring harness for socket
 for vehicles with 2nd battery

- 7D1971196F
 harness for interior light / and / MULTIVAN
 electric socket
 for vehicles with 2nd battery
 F 70-Y-000 001>>

single parts
 corrugated pipe
 end piece
 see catalogue: / 198

- 191911920
 flat terminal pin housing / 1 pin
 connecting part
 electric socket
 seat box

- 1H0937530
 fuse box for flat fuses / 2 pin

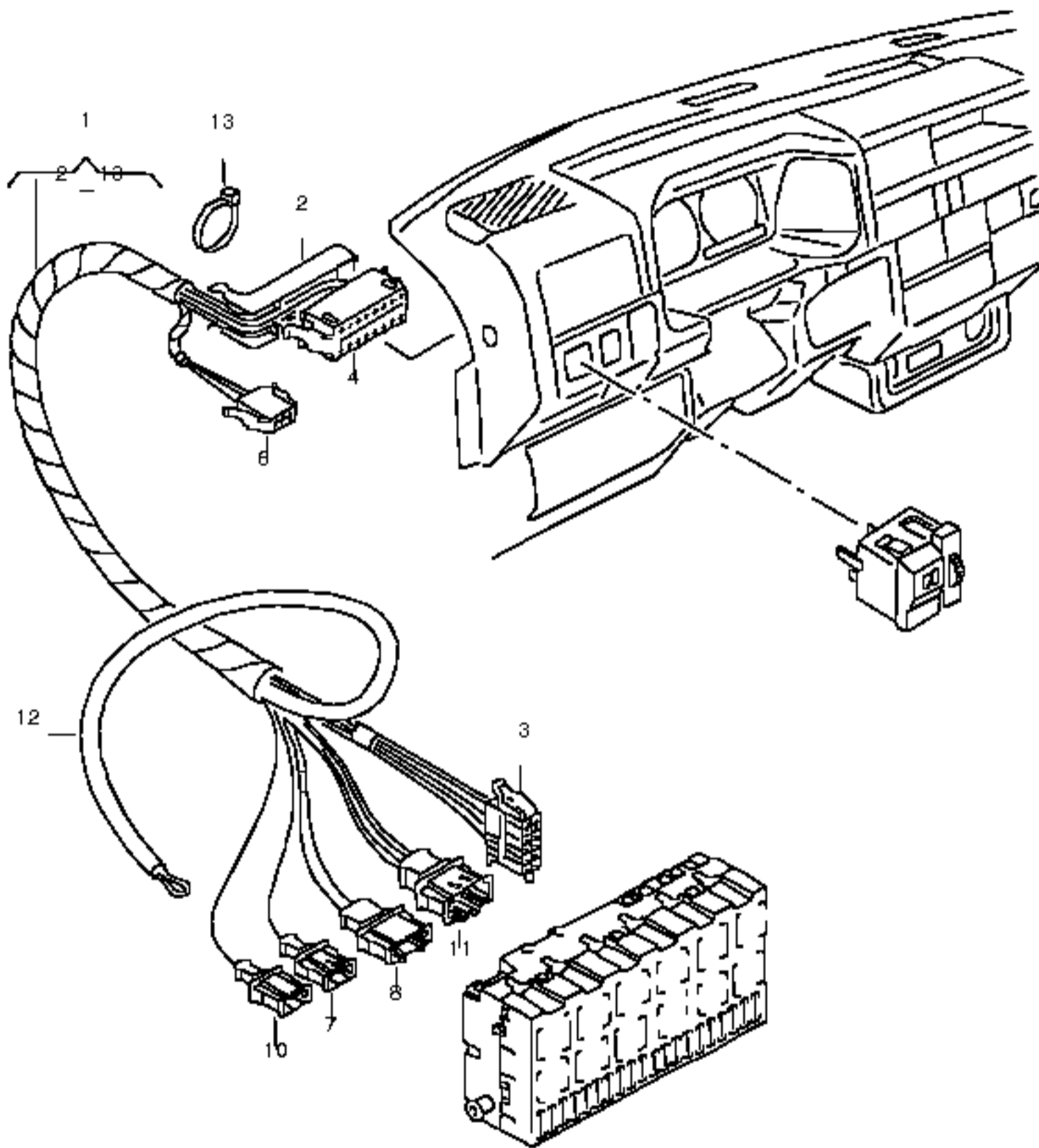
- 111971921B
 flat terminal pin housing / 1 pin
 connecting part
 electric socket
 seat box

- 161971989C
 flat terminal pin housing / 2 pin
 connecting part
 electric socket

- 1J0972702
 flat contact housing / 2 pin
 connecting part
 transistorized light

- N 01713112
 flat fuse 19/2x5 / 15-light blue

- N 01713116
 flat fuse 19/2x5 / 5-light brown



wiring harness for side and headlight switch

wiring harness

accelerator pedal sender

wiring harness

for vehicles with electronic stabilisation program -esp-

wiring harness for side and headlight switch

F >> 70-X-051 760*

(1) 7D1971055C

wiring harness for side and headlight switch / lhd

wiring harness for side and headlight switch

F 70-X-051 761>>

(1) 7D1971055M

wiring harness for side and headlight switch / lhd

(1) 7D2971055G

wiring harness for side and headlight switch / rhd

(1) 7D2971055F

wiring harness for side and headlight switch / rhd

for models with dim-dip headlights

single parts

2 701971883

cover cap / for:

flat contact housing / 15 pin

3 357971968C

flat contact housing with helper contact catch / 10 pin

connector location: / R

4 7D1971999

flat contact housing / 15 pin

coupling piece / lhd

switch for lighting

(4) 7D2971999

flat contact housing / 15 pin

coupling piece / rhd

switch for lighting

(6) 1J0972924

flat contact housing / 3 pin

connecting part

headlight range adjustment

potentiometer

7 191972711

flat connector housing / 1 pin

coupling piece

windscreen washer unit

8 191972713

flat connector housing / 3 pin

coupling piece

for headlamps

(8) 191972712

flat connector housing / 2 pin

coupling piece

wiring harness

handbrake

F 70-X-051 761>>

9 191972751

flat contact housing / 1 pin

coupling piece

for models with dim-dip headlights

(9) 535972701

flat contact housing / 1 pin

coupling piece

wiring harness for dash panel

for models with supplementary heater

F 70-X-051 761>>

10 191972761

flat contact housing / 1 pin

coupling piece

for models with day driving headlights

(11) 191972763

flat contact housing / 3 pin

connecting part

wiring harness for heated rear window

12 N 0180141

insulating hose in coils of 5m 'order unit 5' / 14X0,8

13 N 0209022

cable tie / 6X246

wiring harness

accelerator pedal sender

- 7D2971441

wiring harness

accelerator pedal sender

- 7D2971441A

wiring harness / automatic

accelerator pedal sender

single parts

- 1H0972702

flat contact housing / 2 pin

connecting part

switch

for clutch pedal

- 1J0972704

flat contact housing / 4 pin

connecting part

switch

brake pedal

- 3B0972706

flat contact housing / 6 pin

connecting part

accelerator pedal sender

- 6Q0972736

flat contact housing / 12 pin / automatic

coupling piece

harness for engine compartment

- 4B0971848

cable holder

hole/sheet metal thickness: / 6,5 / 0,6-3

wiring harness

for vehicles with electronic stabilisation program -esp-

- 7D1971315C

wiring harness

for vehicles with electronic stabilisation program -esp-

area: dashboard

F >> 70-2-060 000*

- 7D1971315C

wiring harness / 15" FAHRWERK

for vehicles with electronic stabilisation program -esp-

area: dashboard

F 70-2-060 001>>*

7D1971315F

wiring harness / 16" FAHRWERK

for vehicles with electronic stabilisation program -esp-

area: dashboard

F 70-2-060 001>>

single parts

- 357907968

flat terminal pin housing / 4 pin

- 8D1906370

flat contact housing with gasket / 88-pin

connecting part

electronic control unit

- 251937501C

relay plate / 18 pin

- 7D0937701KD

flat contact housing / 1 pin

junction box

- 1J0937743

flat connector housing with additional contact catch / 10 pin

/ black

coupling piece

harness for engine compartment

- 1J0937743A

flat connector housing with additional contact catch / 10 pin

/ brown

to be used for: / grey

coupling piece

harness for engine compartment

- 4B0971636

flat contact housing / 6 pin

connecting part / black

steering sensor

- 8L0971972

flat connector housing / 6 pin

connecting part

switch for electronic stabilisation program -esp-

- 191972701

flat terminal pin housing / 1 pin

coupling piece / 1,0

additional wiring harness for dash panel / 1,0

/ 2,5

- 1H0972702A

flat contact housing / 2 pin

junction box

- 191972712

flat connector housing / 2 pin

coupling piece / 1,0

wiring harness for engine / 2,5

- 535972731

flat connector housing / 2 pin

coupling piece

harness for navigation system

- 1J0972782

flat contact housing / 4 pin

coupling piece

wiring harness for anti-lock brake system with electronic differential lock -abs/edl

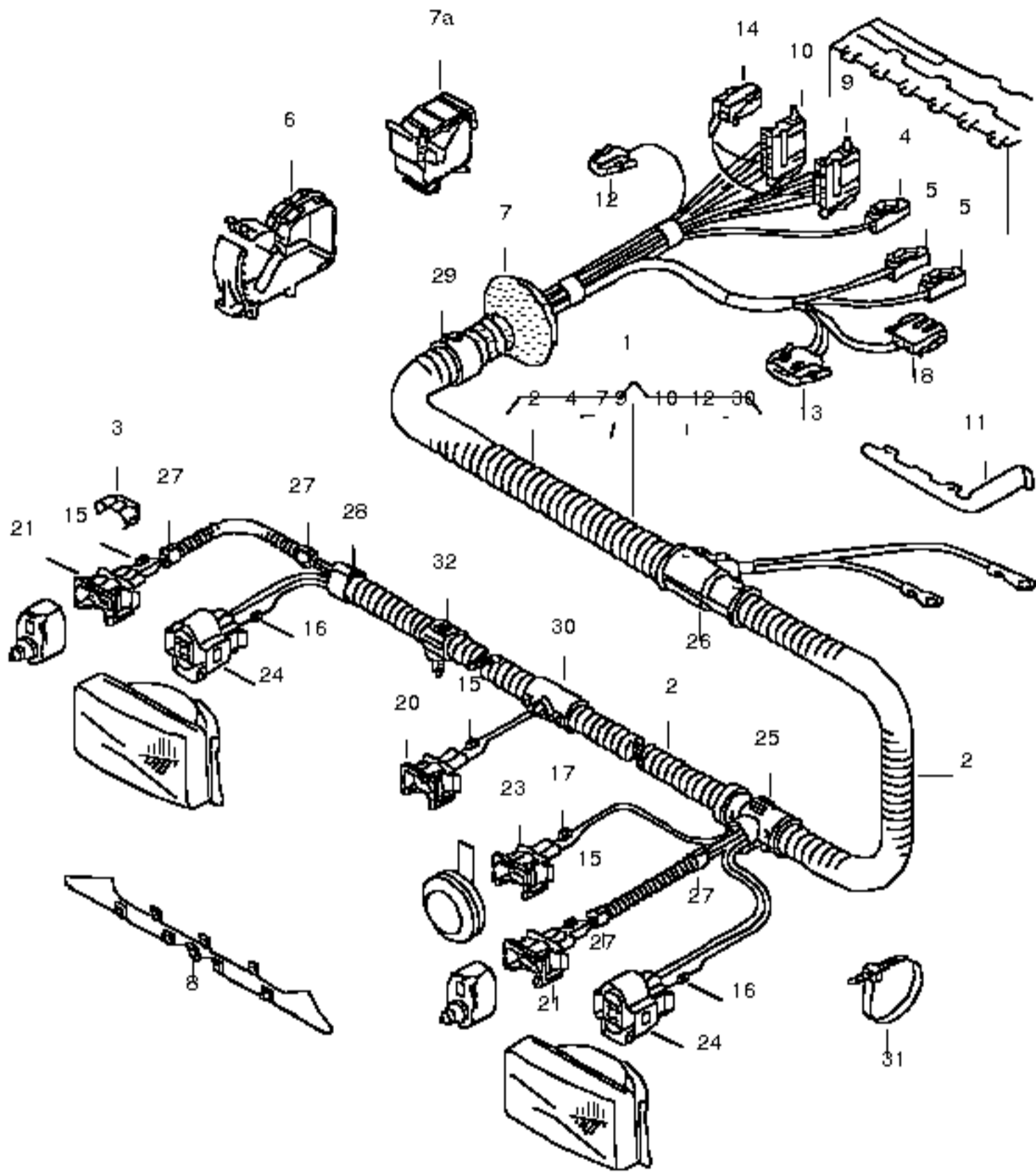
- 1J0973713

flat contact housing / 6 pin

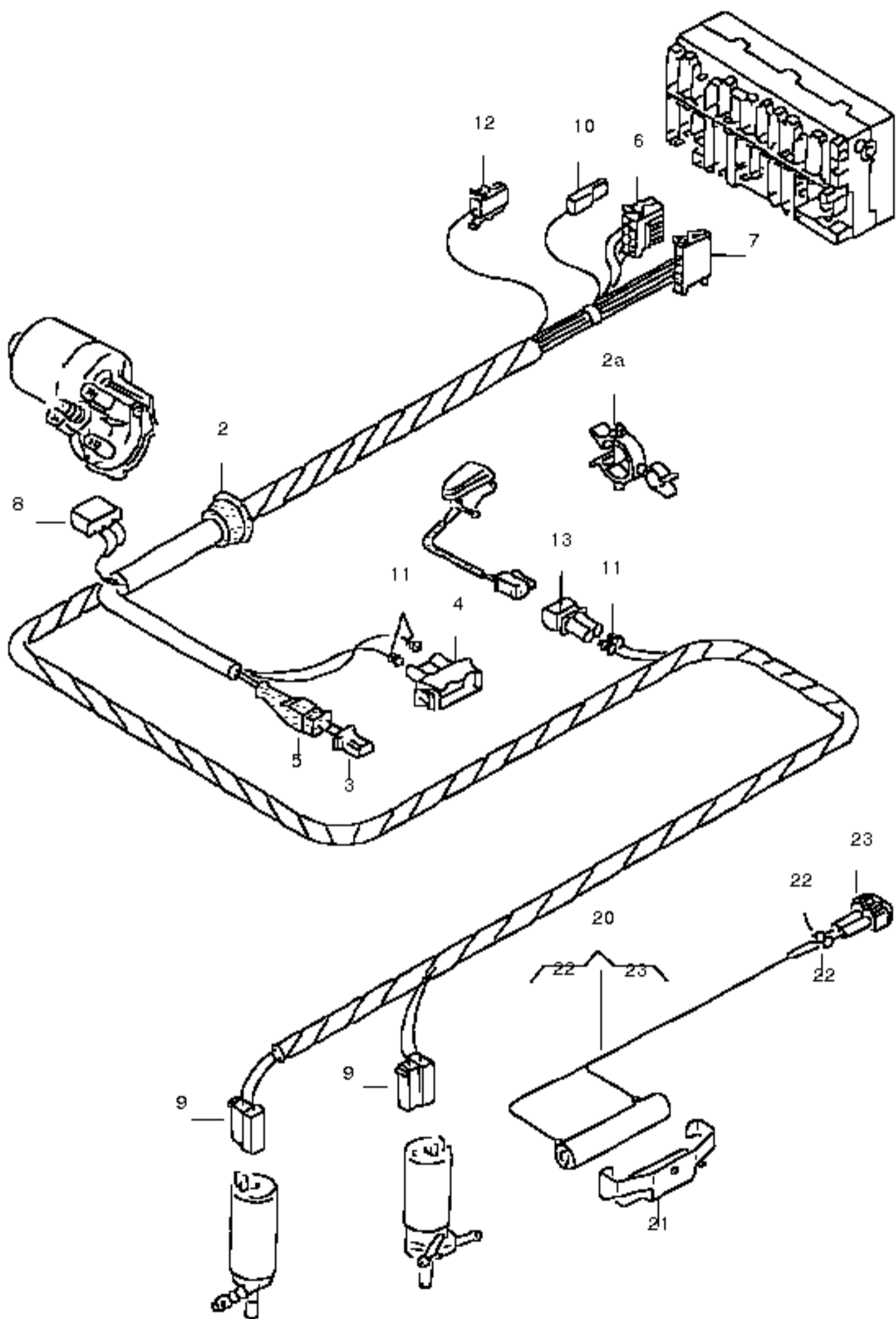
connecting part

combi-sensor for acceleration and yaw / 1,0

/ 1,0



- harness for vehicle lighting / front
harness for vehicle lighting / front
F >>> 70-X-051 760 / PR-AC0
- (1) 7D1971071C
harness for vehicle lighting / front lhd
- (1) 7D1971071F
harness for vehicle lighting / front lhd
for vehicles with headlight range adjustment
- (1) 7D2971071C
harness for vehicle lighting / front rhd
- (1) 7D2971071E
harness for vehicle lighting / front rhd
for vehicles with headlight range adjustment
- harness for vehicle lighting / front
F 70-X-051 761>>> 70-Y-047 400 / PR-AC0
- (1) 7D1971071BM
harness for vehicle lighting / front lhd
- (1) 7D1971071BQ
harness for vehicle lighting / front lhd
for vehicles with headlight range adjustment
- (1) 7D1971071CD
harness for vehicle lighting / front lhd
for models with supplementary heater
- (1) 7D1971071CG
harness for vehicle lighting / front lhd
for vehicles with headlight range adjustment
- for models with supplementary heater
- (1) 7D2971071C
harness for vehicle lighting / front rhd
- (1) 7D2971071E
harness for vehicle lighting / front rhd
for vehicles with headlight range adjustment
- (1) 7D2971071AE
harness for vehicle lighting / front rhd
for models with supplementary heater
- (1) 7D2971071AG
harness for vehicle lighting / front rhd
for vehicles with headlight range adjustment
- for models with supplementary heater
- harness for vehicle lighting / front
F 70-Y-047 401>>> 70-1-200 000 / PR-AC0
- (1) 7D1971071DC
harness for vehicle lighting / front lhd
- (1) 7D1971071CT
harness for vehicle lighting / front lhd
for vehicles with headlight range adjustment
- (1) 7D1971071DN
harness for vehicle lighting / front lhd
for models with supplementary heater
- (1) 7D1971071DK
harness for vehicle lighting / front lhd
for vehicles with headlight range adjustment
- for models with supplementary heater
- (1) 7D2971071BJ
harness for vehicle lighting / front rhd
- (1) 7D2971071BG
harness for vehicle lighting / front rhd
for vehicles with headlight range adjustment
- harness for vehicle lighting / front
F 70-2-000 001>>> / PR-AC0
- (1) 7D1971071ED
harness for vehicle lighting / front lhd
- (1) 7D1971071EB
harness for vehicle lighting / front lhd
for vehicles with headlight range adjustment
- (1) 7D1971071EH
harness for vehicle lighting / front lhd
for models with supplementary heater
- (1) 7D1971071EF
harness for vehicle lighting / front lhd
for vehicles with headlight range adjustment
- for models with supplementary heater
- (1) 7D2971071BS
harness for vehicle lighting / front rhd
- (1) 7D2971071BQ
harness for vehicle lighting / front rhd
for vehicles with headlight range adjustment
- harness for vehicle lighting / front
for models with oil level sensor
- F >>> 70-X-051 760 / PR-AC1
- (1) 7D1971071N
harness for vehicle lighting / front lhd
- (1) 7D1971071Q
harness for vehicle lighting / front lhd
for vehicles with headlight range adjustment
- (1) 7D2971071L
harness for vehicle lighting / front rhd
- (1) 7D2971071N
harness for vehicle lighting / front rhd
for vehicles with headlight range adjustment
- harness for vehicle lighting / front
for models with oil level sensor
- F 70-X-051 761>>> 70-Y-047 400 / PR-AC1
- (1) 7D1971071BS
harness for vehicle lighting / front lhd
- (1) 7D1971071CA
harness for vehicle lighting / front lhd
for vehicles with headlight range adjustment
- (1) 7D1971071CJ
harness for vehicle lighting / front lhd
for models with supplementary heater
- (1) 7D1971071CL
harness for vehicle lighting / front lhd
for vehicles with headlight range adjustment
- for models with supplementary heater
- (1) 7D2971071L
harness for vehicle lighting / front rhd
- (1) 7D2971071N
harness for vehicle lighting / front rhd
for vehicles with headlight range adjustment
- (1) 7D2971071AN
harness for vehicle lighting / front rhd
for models with supplementary heater
- (1) 7D2971071AQ
harness for vehicle lighting / front rhd
for vehicles with headlight range adjustment
- for models with supplementary heater
- harness for vehicle lighting / front
for models with oil level sensor
- F 70-Y-047 401>>> 70-1-200 000 / PR-AC1
- (1) 7D1971071DH
harness for vehicle lighting / front lhd
- (1) 7D1971071DF
harness for vehicle lighting / front lhd
for vehicles with headlight range adjustment
- (1) 7D1971071DT
harness for vehicle lighting / front lhd
for models with supplementary heater
- (1) 7D1971071DR
harness for vehicle lighting / front lhd
for vehicles with headlight range adjustment
- for models with supplementary heater
- (1) 7D2971071BN
harness for vehicle lighting / front rhd
- (1) 7D2971071BL
harness for vehicle lighting / front rhd
for vehicles with headlight range adjustment
- harness for vehicle lighting / front
for models with oil level sensor
- F 70-2-000 001>>> / PR-AC1
- (1) 7D1971071EN
harness for vehicle lighting / front lhd
- (1) 7D1971071EL
harness for vehicle lighting / front lhd
for vehicles with headlight range adjustment
- (1) 7D1971071ES
harness for vehicle lighting / front lhd
for models with supplementary heater
- (1) 7D1971071EQ
harness for vehicle lighting / front lhd
for vehicles with headlight range adjustment
- for models with supplementary heater
- (1) 7D2971071CA
harness for vehicle lighting / front rhd
- (1) 7D2971071CC
harness for vehicle lighting / front rhd
for vehicles with headlight range adjustment
- 2A 357906733B
angled protective cap
connecting part
positioning motor / left
- 4 357915971A
flat terminal pin housing / 1 pin
connector location: / Z2
- 5 357915971B
flat terminal pin housing / 1 pin
connector location: / 30,30B
- 6 7D0971006
cable holder
connecting part
mounting for headlamps
- (6) 7D0971897
retainer
connecting part
water hose
windscreen washer unit
- 7 1H0971840
grommet / 46/10,5
- 7A 7D0971849
cable holder
connecting part
cross member / front
- (7A) 7D0971848D
cable holder
connecting part
longitudinal member
corrugated pipe piece / N 906 981 01
- (7A) 701971848B
clip
connecting part
front frame
- 8 701971896A
wiring conduit / PR-AC1
- (8) 701971896
wiring conduit / PR-AC0
- (8) 7D1971896
wiring conduit
- 9 357971968
flat contact housing with helper contact catch / 8 pin
- connector location: / A2
- 10 357971968A
flat contact housing with helper contact catch
- connector location: / A1
- 11 701971897C
wiring conduit / PR-AC0
- 12 191972701
flat terminal pin housing / 1 pin
connecting part
temperature regulator switch
- 13 535972701
flat contact housing / 1 pin
coupling piece / for:
blower
- (13) 1J0972924
flat contact housing / 3 pin
connecting part
for vehicles with electric beam range adjustment
- 14 535972721
flat contact housing / 2 pin / PR-AC1
connecting part
for hand brake control system
- (14) 1J0972722
flat terminal pin housing / 4 pin
connecting part
wiring harness for headlight range control
- 15 357972741
single wiring seal / 5,6X7,8
/ blue
for wire cross section: / 1,0
- 16 357972741A
single wiring seal / 5,6X7,8
/ red
for wire cross section: / 1,5
- 17 357972742A
single wiring seal / 9,0X7,8
/ white
for wire cross section: / 1,5
- (18) 357972751
flat contact housing / 1 pin
coupling piece
wiring harness for electric fan
- (18) 1J0972752
flat contact housing / 2 pin
coupling piece
relay / X
- 20 357972752
flat contact housing / 2 pin
connecting part
additional water pump / *>>>70-Y-060000
for fog lamp
parking light warning lamp
- (20) 1J0973722
flat contact housing with helper contact catch / 2 pin
/ black
connecting part
additional water pump
F 70-Y-060 001>>>*
- (20) 1J0973722
flat contact housing with helper contact catch / 2 pin
- connecting part
turn signal
- 21 357972753
flat contact housing / 3 pin
connecting part
for vehicles with headlight range adjustment
- 23 357972772
flat contact housing / 2 pin
coupling piece
for horn
- see list of locally- made looms
- (24) 1H0973734
flat contact housing / 4 pin / PR-AC1
connecting part
for headlamps
- (24) 161941165
flat terminal pin housing / 3 pin / PR-AC0
connecting part
for headlamps
- 32 N 90666101
cable tie / 4,5X200



wiring harness for wiper motor / front
wiring harness
for dim-dip driving lights
wiring harness
junction box
wiring harness for wiper motor / front
F >> 70-X-250 000*

(1) 705971205C
wiring harness for wiper motor / lhd

(1) 706971205C
wiring harness for wiper motor / rhd

wiring harness for wiper motor / front
F 70-Y-000 001>> 70-1-072 000*

(1) 7D1971205R
wiring harness for wiper motor / lhd

(1) 7D2971205AN
wiring harness for wiper motor / rhd

(1) 7D2971205AE
wiring harness for wiper motor / rhd / ACV,AJT,AHY

(1) 7D1971205AF
wiring harness for wiper motor / lhd / AMV

(1) 7D1971205AK
wiring harness for wiper motor / lhd / ACV,AUF

wiring harness for wiper motor / front
F 70-1-072 001>> 70-1-200 000

(1) 7D1971205AP
wiring harness for wiper motor / lhd

(1) 7D1971205BD
wiring harness for wiper motor / lhd / AMV

(1) 7D1971205BQ
wiring harness for wiper motor / lhd / AYY,ACV,AYC / AXG

(1) 7D2971205AS
wiring harness for wiper motor / rhd

(1) 7D2971205AN
wiring harness for wiper motor / rhd / AYY,ACV,AYC / AXG

wiring harness for wiper motor / front
F 70-2-000 001>>

(1) 7D1971205BL
wiring harness for wiper motor / lhd

(1) 7D1971205CE
wiring harness for wiper motor / lhd / AMV

(1) 7D1971205BQ
wiring harness for wiper motor / lhd / AYY,ACV,AYC / AXG

(1) 7D2971205AN
wiring harness for wiper motor / rhd / AYY,ACV,AYC / AXG

(1) 7D2971205AS
wiring harness for wiper motor / rhd

2A 281971787C
retainer, swivelling / 12/24

connecting part
return hose

(2) 1H0971913C
grommet

(2) 443906102G
grommet / 13,5X19

(2) 6N0906102
grommet / for:
flat connector / 037 906 240

(3) 6N0973702
flat contact housing / 2 pin

fluid container
brake fluid

(3) 037906240
flat contact housing / 2 pin / ACV,AUF

connecting part
cut-off valve

(4) 357972753
flat contact housing / 3 pin

connecting part
water level switch
also use: / 357 972 841

- 357972841
plug / 5,6X7,8

6 357955968
flat contact housing with helper contact catch / 8 pin

connector location: / C

7 357955968A
flat contact housing with helper contact catch / 5 pin

connector location: / S

8 171971835A
flat terminal pin housing / 5 pin

wiper motor

- 1H0971848AB
clip / 120MM
hole/sheet metal thickness: / 6,5/0,6-5,1MM

(8) 1H0972117A
flat contact housing with gasket / 3 pin

contacts
bonnet

(8) 1J0972702
flat contact housing / 2 pin

coupling piece
harness for engine compartment

(9) 1J0972924
flat contact housing / 3 pin

coupling piece
harness for engine compartment

(9) 191972751
flat contact housing / 1 pin

coupling piece
for headlight washer system

(9) 357972752
flat contact housing / 2 pin

coupling piece
for vehicles with headlight washer system

(10) 3A0972751H
flat contact housing / 1 pin

connecting part
ground connector

11 357972741A
single wiring seal / 5,6X7,8

/ red
for wire cross section: / 1,5

12 191972751
flat contact housing / 1 pin

connecting part
wiring harness for headlight washer system

13 357972762
flat connector housing / 2 pin

heated spraying jet

(13) 6N0973702
flat contact housing / 2 pin

connecting part
brake fluid

wiring harness / "GB."
for dim-dip driving lights

20 535971284
wiring loom for dim-dip driving lights

use if required: / N 906 819 01

21 321971280
bracket for resistance

22 357972741A
single wiring seal / 5,6X7,8

/ red
for wire cross section: / 1,5

23 357972762
flat connector housing / 2 pin

wiring harness
junction box

- 7D0972345G
wiring harness
junction box
central electrics
F >> 70-X-250 000*

- 7D0972345J
wiring harness
junction box
central electrics
F 70-Y-000 001>>

single parts

- 357971968B
flat contact housing with helper contact catch / 12 pin

connecting part
central electrics

- 7D0937701KD
flat contact housing / 1 pin

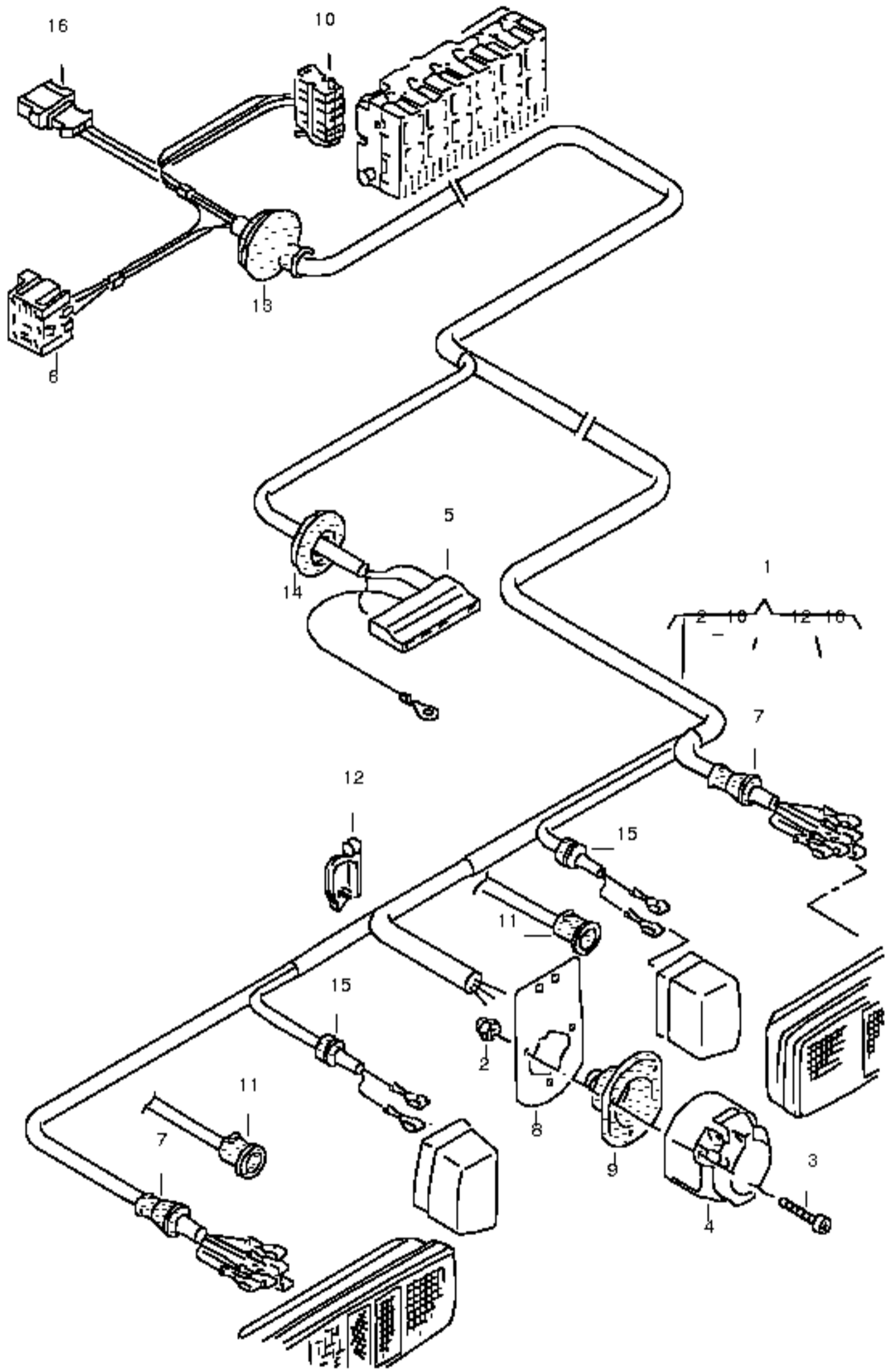
connecting part
junction box

- 191972701
flat terminal pin housing / 1 pin

coupling piece
wiring harness
for additional heater
for 2. battery
for electric window regulators

- 191972711
flat connector housing / 1 pin

coupling piece
wiring harness
handbrake warning light



wiring harness: rear / double cab
wiring harness adapter / pick-up
for models with towing facility
wiring harness: rear / double cab
F >> 70-X-050 348* / pick-up

(1) 7D1971011A
wiring harness: rear / lhd

(1) 7D1971011C
wiring harness: rear / lhd
for models with towing facility

(1) 7D1971011D
wiring harness: rear / lhd
for vehicles with 2nd heat exchanger

(1) 7D1971011E
wiring harness: rear / lhd
for models with towing facility

for vehicles with 2nd heat exchanger

(1) 7D2971011A
wiring harness: rear / rhd
(right-hand traffic only)

(1) 7D2971011C
wiring harness: rear / rhd
for models with towing facility

(right-hand traffic only)

(1) 7D2971011D
wiring harness: rear / rhd
for vehicles with 2nd heat exchanger

(right-hand traffic only)

(1) 7D2971011E
wiring harness: rear / rhd
for models with towing facility

for vehicles with 2nd heat exchanger

(right-hand traffic only)

(1) 7D2971011G
wiring harness: rear / rhd
(left-hand traffic only)

(1) 7D2971011J
wiring harness: rear / rhd
for models with towing facility

(left-hand traffic only)

(1) 7D2971011K
wiring harness: rear / rhd
for vehicles with 2nd heat exchanger

(left-hand traffic only)

(1) 7D2971011L
wiring harness: rear / rhd
for models with towing facility

for vehicles with 2nd heat exchanger

(left-hand traffic only)

wiring harness: rear / double cab
F 70-X-050 349>> 70-X-250 000 / pick-up

(1) 7D1971011BQ
wiring harness: rear / lhd / pick-up
also use: / 000 979 106
/ 443 906 231
/ 867 972 525 A

(1) 7D1971011BR
wiring harness: rear / lhd / pick-up
for models with towing facility

(1) 7D2971011DP
wiring harness: rear / rhd
(right-hand traffic only)
also use: / 000 979 106
/ 443 906 231
/ 867 972 525 A

(1) 7D2971011DQ
wiring harness: rear / rhd
(right-hand traffic only)
for models with towing facility

also use: / 000 979 106
/ 443 906 231
/ 867 972 525 A

(1) 7D2971011DR
wiring harness: rear / rhd
(left-hand traffic only)
also use: / 000 979 106
/ 443 906 231
/ 867 972 525 A

(1) 7D2971011DS
wiring harness: rear / rhd
(left-hand traffic only)
for models with towing facility

also use: / 000 979 106
/ 443 906 231
/ 867 972 525 A

wiring harness: rear / double cab
F 70-Y-000 001>> 70-1-048 830* / pick-up
use if required: / 7D0 927 808

(1) 7D1971011BQ
wiring harness: rear / lhd

(1) 7D1971011BR
wiring harness: rear / lhd
for models with towing facility

(1) 7D2971011DP
wiring harness: rear / rhd / double cab
(right-hand traffic only) / pick-up

(1) 7D2971011DQ
wiring harness: rear / rhd / double cab
(right-hand traffic only) / pick-up
for models with towing facility

(1) 7D2971011DR
wiring harness: rear / rhd / double cab
(left-hand traffic only) / pick-up

(1) 7D2971011DS
wiring harness: rear / rhd / double cab
for models with towing facility / pick-up

(left-hand traffic only)

wiring harness: rear / double cab
F 70-1-048 831>>* / pick-up
brake pad wear display / rear
use if required: / 7D0 927 808
* insulate unconnected * * cable ends *
see illustration also: / 927-00

(1) 7D1971011BQ
wiring harness: rear / lhd

(1) 7D1971011CH
wiring harness: rear / lhd / pick-up
trailer towing

(1) 7D1971011DC
wiring harness: rear / lhd / pick-up
for vehicles with brake pad wear indicator / double cab

for models with heavy duty suspension

(1) 7D1971011DD
wiring harness: rear / lhd / pick-up
for vehicles with brake pad wear indicator / double cab

for models with towing facility

for models with heavy duty suspension

(1) 7D2971011DP
wiring harness: rear / rhd / double cab
(right-hand traffic only) / pick-up

(1) 7D2971011DR
wiring harness: rear / rhd / double cab
(left-hand traffic only) / pick-up

(1) 7D2971011EP
wiring harness: rear / rhd
(right-hand traffic only)
trailer towing

(1) 7D2971011EQ
wiring harness: rear / rhd
(left-hand traffic only)
trailer towing

wiring harness adapter
for models with towing facility

- 7D1971541A
wiring harness for trailer socket / pick-up
/ double cab
coupling piece / 8 pin
F >> 70-X-048 000*

- 7D1971541G
wiring harness for trailer socket / pick-up
/ double cab
coupling piece / 10 pin
F 70-Y-048 001>>*

- 443906231
flat terminal pin housing / 2 pin
connecting part
heater valve
for vehicles with 2nd heat exchanger

- 1J0973702
flat connector housing / 2 pin
connecting part
heater valve
for vehicles with 2nd heat exchanger

F 70-Y-000 001>>*

- 357915971A
flat terminal pin housing / 1 pin
connecting part / rhd
central electrics
connector location: / Z2

- 357915971B
flat terminal pin housing / 1 pin
connecting part / rhd
central electrics
connector location: / 30,30B

- 000979106
1 set: single wires each with 2 contacts, qty. 5 per bag 'order unit 5' / 1,0
flat connector/sleeve / 2,8

- 867972525A
protective cap

5 867919993
flat terminal pin housing / 4 pin
connecting part
additional heat exchanger

7 141941199A
grommet / 14,5/6

- 7D0945527
grommet
connecting part
for trailer towing

10 357945968
flat contact housing with helper contact catch / 12 pin

(12) N 90643701
cable tie with retainer for welded pin: / 10X187
/ 5

(13) 1H0971840
grommet / 46/16

(14) 867971872
grommet / 39,5/8

(14) 3A0971913A
grommet / 35/10,5

15 481971915
grommet / 9,5/2,4

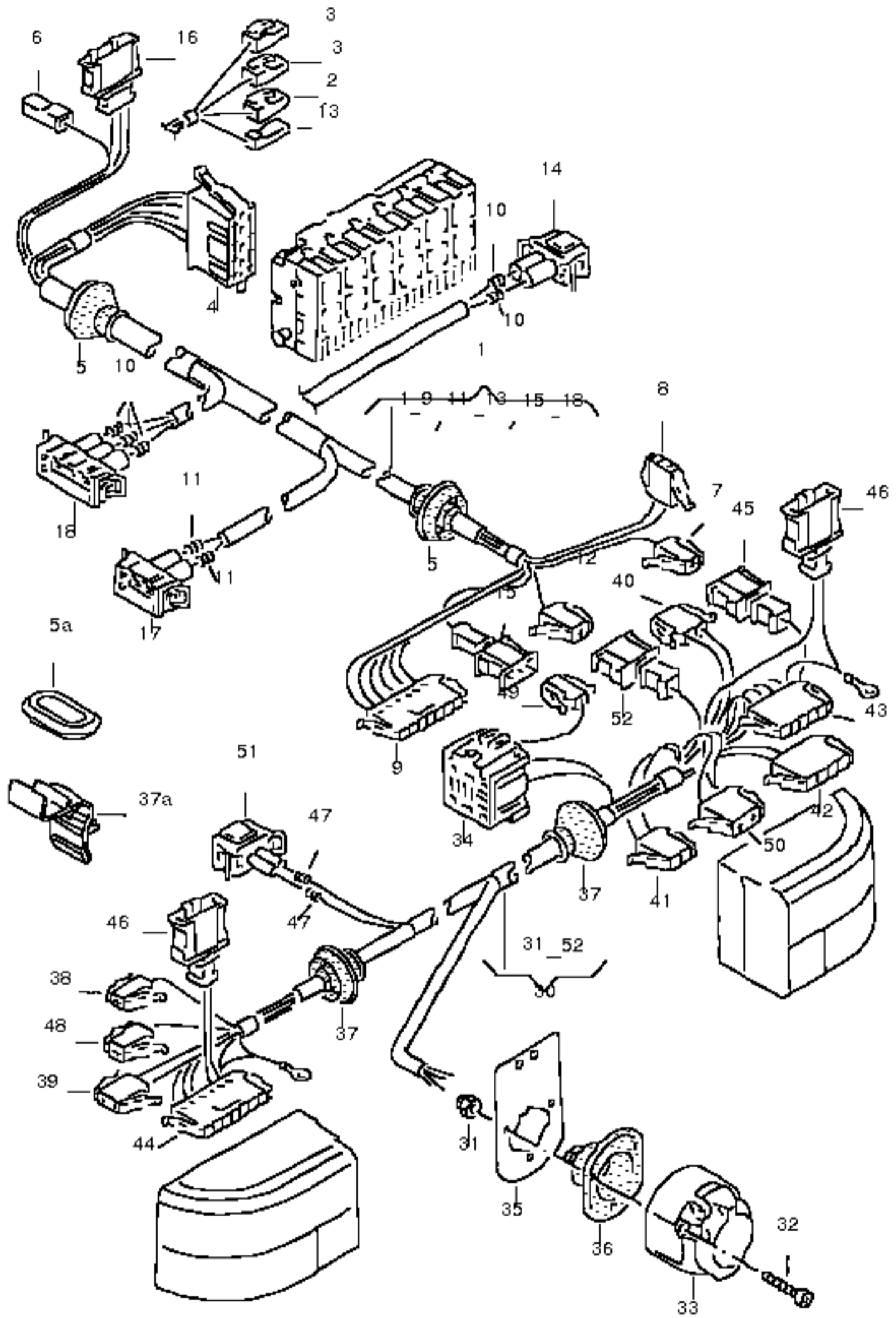
16 191972763
flat contact housing / 3 pin
connecting part
switch
additional heat exchanger

(16) 1J0972752
flat contact housing / 2 pin
coupling piece / rhd
relay
for relief relay x contact

- 191972761
flat contact housing / 1 pin
coupling piece
harness for interior light

- 191972763
flat contact housing / 3 pin
coupling piece
wiring harness for additional heater unit

- 3A0973734
flat contact housing / 8 pin
coupling piece
wiring harness for trailer socket
use if required: / 7D0 945 527



wiring harness: rear / bus
 wiring harness for tail light / kombi van
 / delivery van
 wiring harness for brake pad wear indicator / 2 point
 / front and rear
 for vehicles with 2nd evaporator
 see illustration also: / 972 - 65 / air condit.
 see illustration also: / 927 - 00
 wiring harness: rear
 F >> 70-X-050 348*

(1) 7D1971011AR
 wiring harness: rear / lhd

(1) 7D2971011BA
 wiring harness: rear / rhd
 * insulate unconnected * * cable ends *
 wiring harness: rear
 F 70-X-050 349>> 70-X-250 000
 brake pad wear display / 4 point / 16"
 wiring harness for anti-lock brakesystem -abs- / FAHRWERK
 see illustration: / 972-79

 brake pad wear display / 2 point / 15"
 wiring harness: rear / FAHRWERK

(1) 7D1971011AR
 wiring harness: rear / lhd

(1) 7D2971011EC
 wiring harness: rear / rhd
 wiring harness: rear
 F 70-Y-000 001>>
 brake pad wear display / 4 point / 16"
 wiring harness for anti-lock brakesystem -abs- / FAHRWERK
 see illustration: / 972-79

 brake pad wear display / 2 point / 15"
 wiring harness: rear / FAHRWERK

(1) 7D1971011BT
 wiring harness: rear / lhd

(1) 7D1971011CB
 wiring harness: rear / lhd for vehicles with brake pad wear indicator / 2 point

(1) 7D2971011EC
 wiring harness: rear / rhd for vehicles with brake pad wear indicator / 2 point
 single parts

- 7D0971897A
 cable holder connecting part a-pillar

- 1H0906233
 flat contact housing / 3 pin connecting part for vehicles with additional heat exch.

- 443906102G
 grommet / 13,5X19

2 357915971A
 flat terminal pin housing / 1 pin connector location: / Z2 / rhd

3 357915971B
 flat terminal pin housing / 1 pin connector location: / 30,30B / rhd

(3) 1J0972752
 flat contact housing / 2 pin connecting part / rhd relay for relief relay x contact

4 357945968
 flat contact housing with helper contact catch / 12 pin connector location: / K

(5) 1H0971840B
 grommet / 12,5X46

(5) 1H0971840
 grommet / 46/10,5

5A 701971910
 plug / 28X14

(6) 431971995
 flat terminal pin housing / 1 pin ground connector

(6) 3A0972751H
 flat contact housing / 1 pin ground connector

7 191972701
 flat terminal pin housing / 1 pin

(7) 535972701
 flat contact housing / 1 pin coupling piece additional wiring harness for dash panel

(8) 1J0972702
 flat contact housing / 2 pin for vehicles with wash and wipe system for rear window

(9) 1J0972707
 flat contact housing / 7 pin

(9) 191972711
 flat connector housing / 1 pin coupling piece wiring harness for telephone

(7) 191972712
 flat connector housing / 2 pin coupling piece insert for dashboard

10 357972742A
 single wiring seal / 9,0X7,8
 / white

for wire cross section: / 1,5

11 357972742B
 single wiring seal / 9,0X7,8
 / red

for wire cross section: / 2,5
 for vehicles with additional heat exchanger

12 191972751
 flat contact housing / 1 pin

13 191972751
 flat contact housing / 1 pin / rhd

(13) 3A0972751H
 flat contact housing / 1 pin ground connector

14 357972752
 flat contact housing / 2 pin

(14) 443906231
 flat terminal pin housing / 2 pin connecting part heater valve for vehicles with additional heat exch.
 F 70-X-050 349>>*

(14) 867972525A
 protective cap

15 191972761
 flat contact housing / 1 pin

16 191972763
 flat contact housing / 3 pin connecting part switch additional heat exchanger

17 357972772
 flat contact housing / 2 pin connecting part additional heat exchanger

(18) 191972772
 flat contact housing / 4 pin connecting part tail light

(18) 1J0973702
 flat connector housing / 2 pin coupling piece / black wiring harness for brake pad wear indicator

(18) 1H0906233
 flat contact housing / 3 pin connecting part additional heat exchanger resistor

(30) 7D1971169H
 wiring harness for tail light (right-hand traffic only)

use if required: / 191 972 711
 / 191 971 702

/ 191 972 761

(30) 7D1971169K
 wiring harness for tail light for models with towing facility (right-hand traffic only)

use if required: / 191 972 711
 / 1J0 972 702

/ 191 972 761

(30) 7D2971169F
 wiring harness for tail light (left-hand traffic only)

(30) 7D2971169G
 wiring harness for tail light for models with towing facility (left-hand traffic only)

(30) 7D1971541F
 wiring harness for trailer socket

(37) 1H0971840
 grommet / 46/10,5

37A 701971848AB
 cable holder

38 191972701
 flat terminal pin housing / 1 pin coupling piece wiring harness for boot lid/ tailgate

(40) 1J0972702
 flat contact housing / 2 pin coupling piece wiring harness for boot lid/ tailgate

(41) 1J0972702
 flat contact housing / 2 pin coupling piece wiring harness for trailer socket

43 191972705
 flat terminal pin housing / 5 pin

(44) 1J0972707
 flat contact housing / 7 pin

45 191972711
 flat connector housing / 1 pin connecting part wiring harness: rear

46 191972712
 flat connector housing / 2 pin connecting part wiring harness adapter roof turn signal

(46) 1J0972722
 flat terminal pin housing / 4 pin coupling piece wiring harness for trailer socket

47 357972741A
 single wiring seal / 5,6X7,8
 / red

for wire cross section: / 1,5

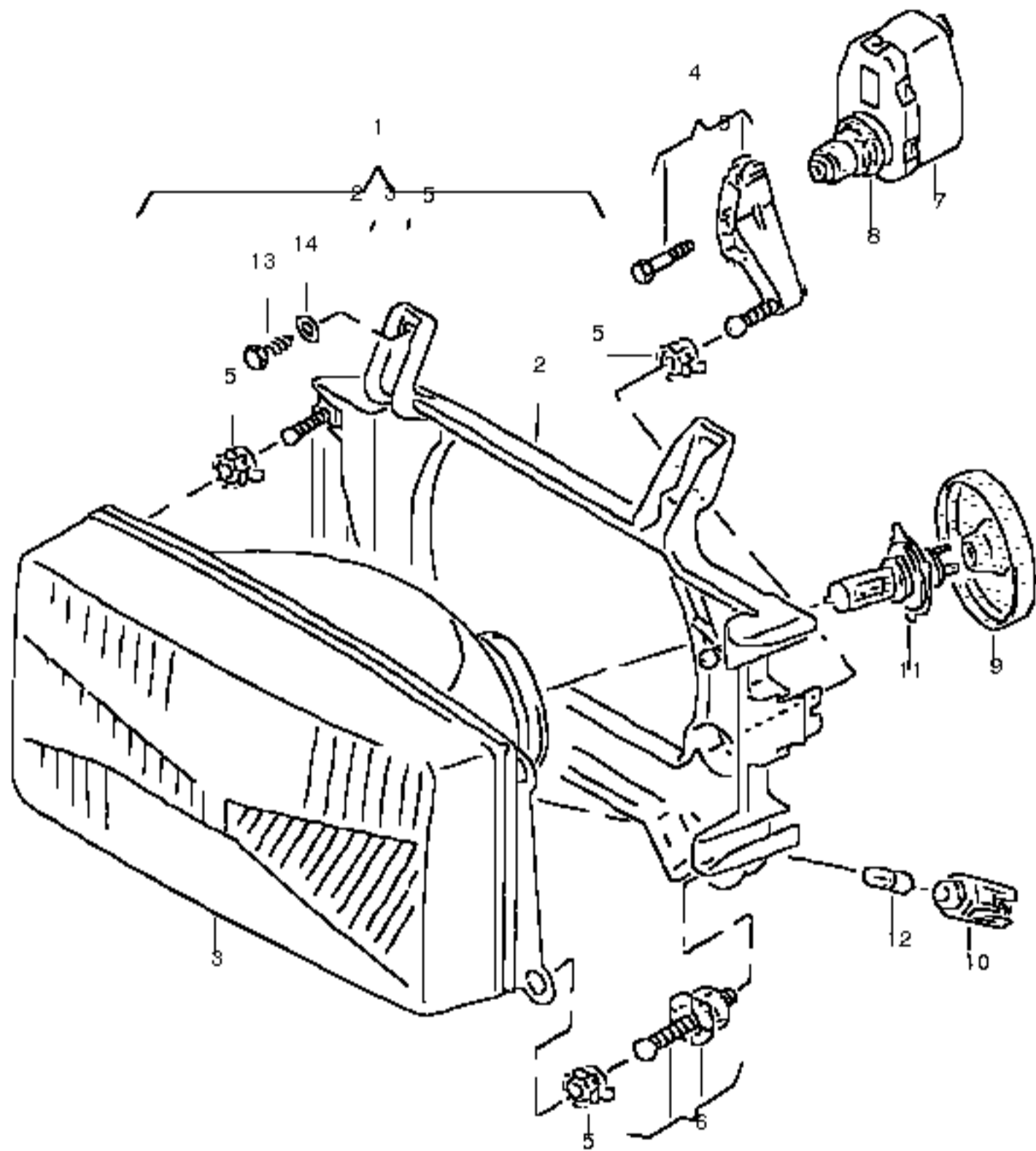
48 191972751
 flat contact housing / 1 pin coupling piece wiring harness for trailer socket

49 191972751
 flat contact housing / 1 pin coupling piece wiring harness for trailer towing for air conditioner

50 1J0972752
 flat contact housing / 2 pin tail light for models with towing facility

51 357972752
 flat contact housing / 2 pin connecting part rear fog light

(51) 191972772
 flat contact housing / 4 pin coupling piece wiring harness for heated rear window and rear wiper motor



headlight / HELLA / PR-ACO

1 701941017

halogen headlight / left (right-hand traffic only)

(1) 701941018

halogen headlight / right (right-hand traffic only)

(1) 702941017

halogen headlight / left (left-hand traffic only)

(1) 702941018

halogen headlight / right (left-hand traffic only)

(1) 702941017A

halogen headlight / left / "J.." (left-hand traffic only)

rework if necessary

(1) 702941018A

halogen headlight / right / "J.." (left-hand traffic only)

rework if necessary

2 701941045

retaining frame / left

(2) 701941046

retaining frame / right

3 701941105

headlight unit / left (right-hand traffic only)

(3) 701941106

headlight unit / right (right-hand traffic only)

(3) 702941105A

headlight unit / left / "J.." (left-hand traffic only)

(3) 702941106A

headlight unit / right / "J.." (left-hand traffic only)

4 701941141

setting lever

for vehicles with electric beam range adjustment

5 867941142

adjusting piece

6 701941141A

adjusting screw

for vertical adjustment

7 165941295

headlight range control motor

8 443941323

seal

9 531941605A

cover cap

10 191941669A

socket for bulb

11 N 0177632

halogen bulb / YD12V60/55W H4

(11) 000998200

1 set of bulbs / H4

(11) N 0177643

halogen bulb, yellow glass / YD12V60/55W H4

12 N 0177172

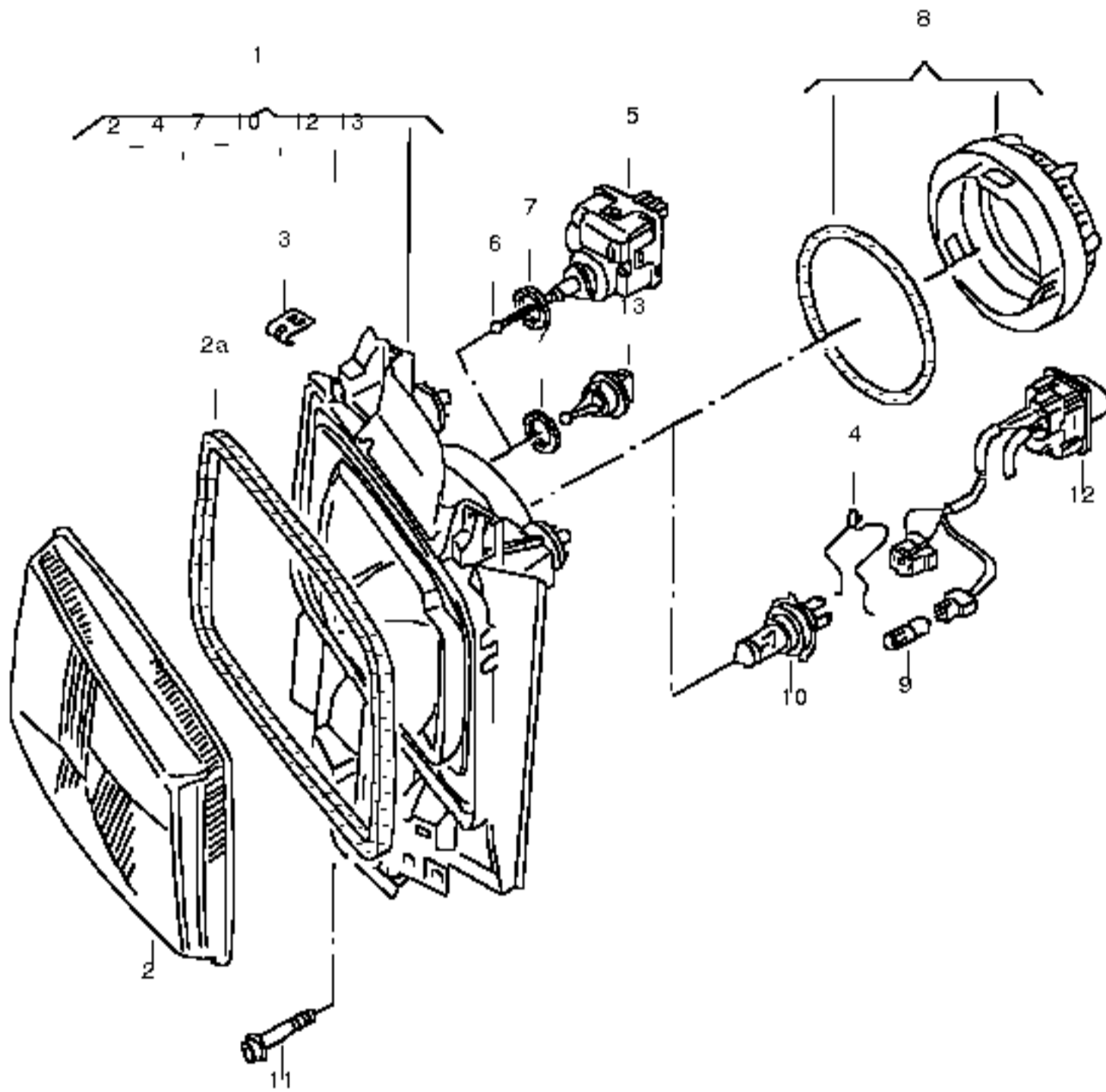
bulb / HL12V4W

13 N 0138873

hexagon head panel screw / B5,5X16

14 N 0116511

washer / 5,8X10X0,9



headlight / VALEO / PR-AC1

headlight / PR-AC1

F >> 70-1-048 000

(1) 7D1941009H

halogen headlight / left

(right-hand traffic only)

(1) 7D2941009K

halogen headlight / left

(left-hand traffic only)

(1) 7D1941010H

halogen headlight / right

(right-hand traffic only)

(1) 7D2941010K

halogen headlight / right

(left-hand traffic only)

headlight / PR-AC1

F 70-1-048 001>>

1 7D1941009H

halogen headlight / left

(right-hand traffic only)

(1) 7D2941009K

halogen headlight / left

(left-hand traffic only)

(1) 7D1941010H

halogen headlight / right

(right-hand traffic only)

(1) 7D2941010K

halogen headlight / right

(left-hand traffic only)

(2) 701941115

headlight lens / left

(right-hand traffic only)

(2) 702941115

headlight lens / left

(left-hand traffic only)

2 701941116

headlight lens / right

(right-hand traffic only)

(2) 702941116

headlight lens / right

(left-hand traffic only)

2A 7D0941119

gasket for headlamp

3 701941125

retaining spring

headlight lens

4 701941160

spring for halogen bulb

5 1H0941295E

headlight range control motor

also use: / 3A0 941 141

F >> 70-1-048 000

(5) 7D0941295

headlight range control motor

F 70-1-048 001>>

6 3A0941141

adjusting screw / M5X50

7 443941323

seal

8 1H6941607B

protective cap

9 N 0177172

bulb / HL12V4W

10 N 0177632

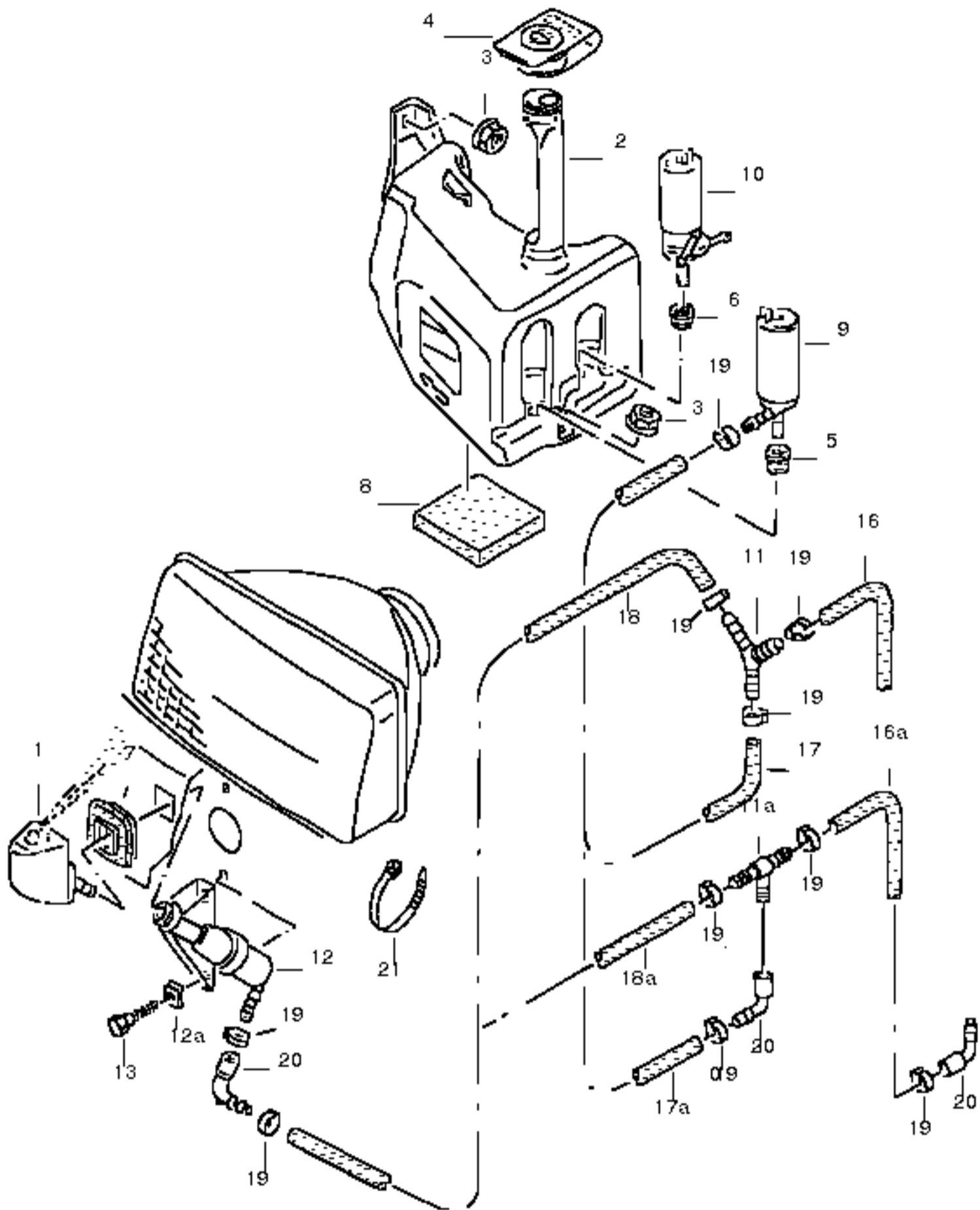
halogen bulb / YD12V60/55W H4

11 N 90535001

allen key head bolt / M6X24

(12) 443941156

socket for bulb / 2 pin



headlight washer system

(1) 701955101
jet carrier with jet / left

1 701955102
jet carrier with jet / right

(2) 701955453C
fluid container

3 N 90352101
hexagon nut, shouldered / 5

4 8D0955455
locking cover

5 431955465A
gasket

6 443955465
gasket / 12X6,5

7 7D0955479
grommet

8 867955499
base

9 3B7955681
pump
also use: / 1J0 973 722 A

- 1J0973722A
flat contact housing with helper contact catch / 2 pin

11A 8D0955873
junction

12 701955976
pressure cylinder

12A N 0154491
snap nut / ST6,3X24,5X15

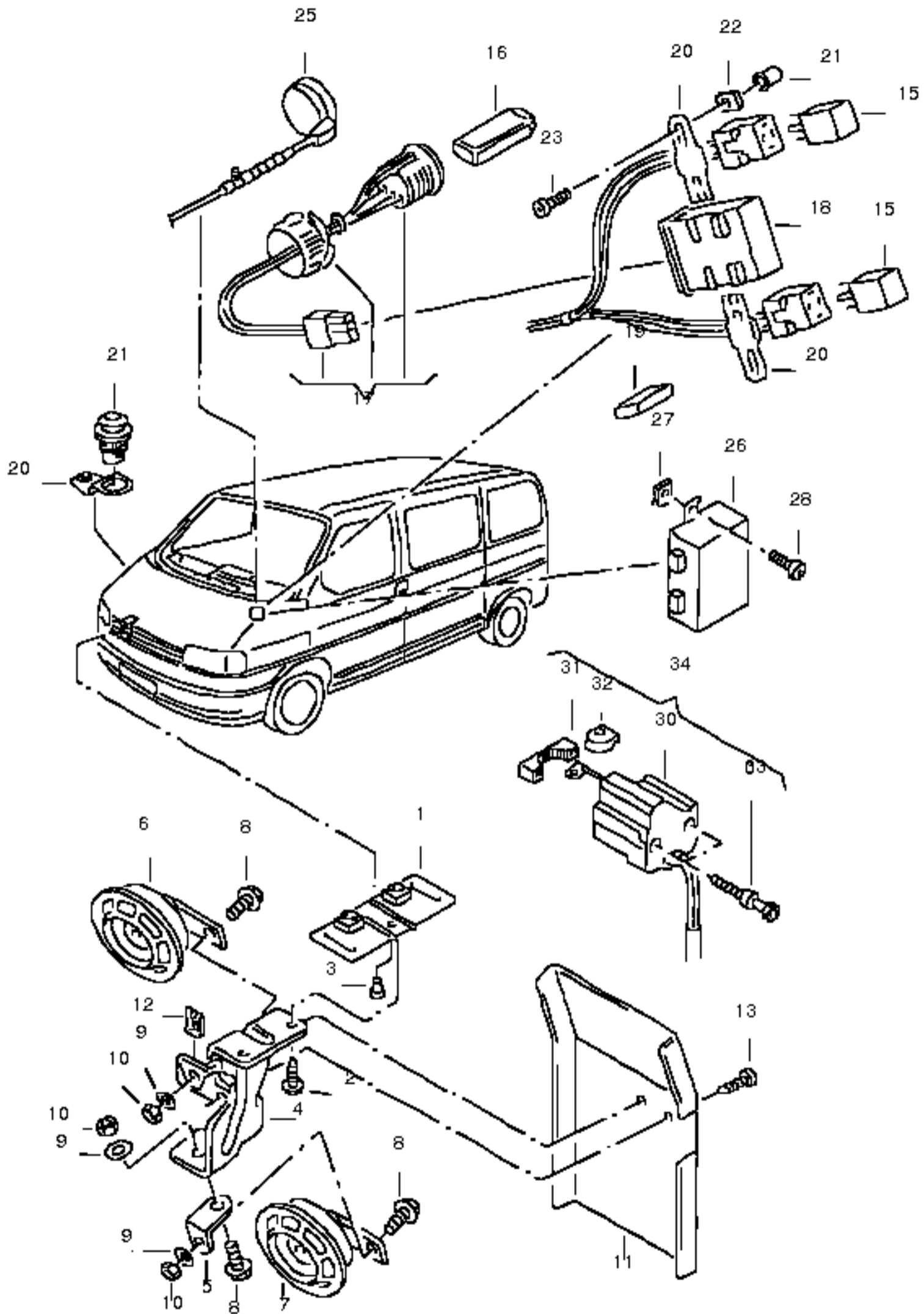
13 N 0159461
hexagon head panel screw / A6,5X19

- 1J0955964F
hose in coils of 5m 'order unit 5' / S10X3
shorten to: / 1070MM
shorten to: / 750MM
shorten to: / 320MM
shorten to: / 285MM

19 N 10258201
pipe clip / AL12-22

20 701955977
angled piece

21 N 90666101
cable tie / 4,5X200



high volume horn

1 701951183

retainer

2 N 0195024

hexagon head bolt c/w shoulder / M8X25

3 N 90478601

pop-rivet / A4,8X11

4 7D0951183B

retainer

5 357951185A

retainer

6 191951215

high volume horn / low tone

7 191951217

high volume horn / high tone

8 N 0102524

hexagonal head bolt / M10X20

9 N 0120113

spring ring / A10

(10) N 10155207

hexagonal nut / M10-SW16

(11) 701951203B

cover cap

12 N 0454271

snap nut / B4,2X25,5X12,7

13 N 0139671

oval head panel screw / B4,2X19-C

20 7D0906285E

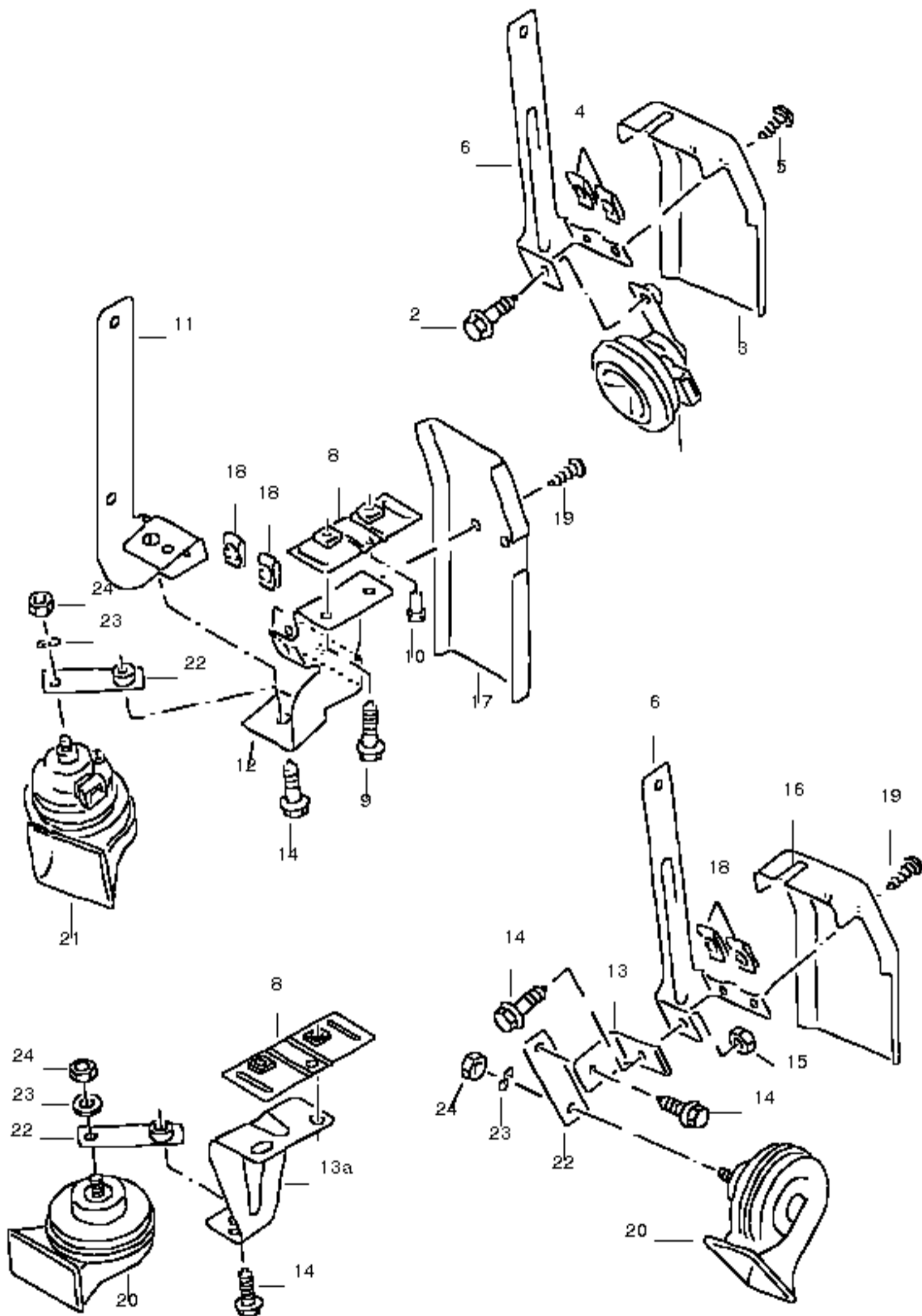
retainer / PR-ACO

(20) 7D0906285G

retainer / PR-AC1

21 6N0947563

switch for door contact / front



horn

1 191951113B

horn

(2) N 0195334

hexagon head bolt c/w shoulder / M8X20

3 701951203

cover cap

4 N 0154552

snap nut

5 N 0139671

oval head panel screw / B4,2X19-C dual horn

8 701951183

retainer

9 N 0195024

hexagon head bolt c/w shoulder / M8X25

10 N 90478601

pop-rivet / A4,8X11

(13A) 7D0951183B

retainer

(14) N 0195334

hexagon head bolt c/w shoulder / M8X20

15 N 90074401

hexagon nut, self-locking / M8

16 701951203

cover cap

(17) 701951203B

cover cap

18 N 0454271

snap nut / B4,2X25,5X12,7

19 N 0139671

oval head panel screw / B4,2X19-C

20 3B0951221

fanfare horn / low tone

21 3B0951223

fanfare horn / high tone

22 191951227

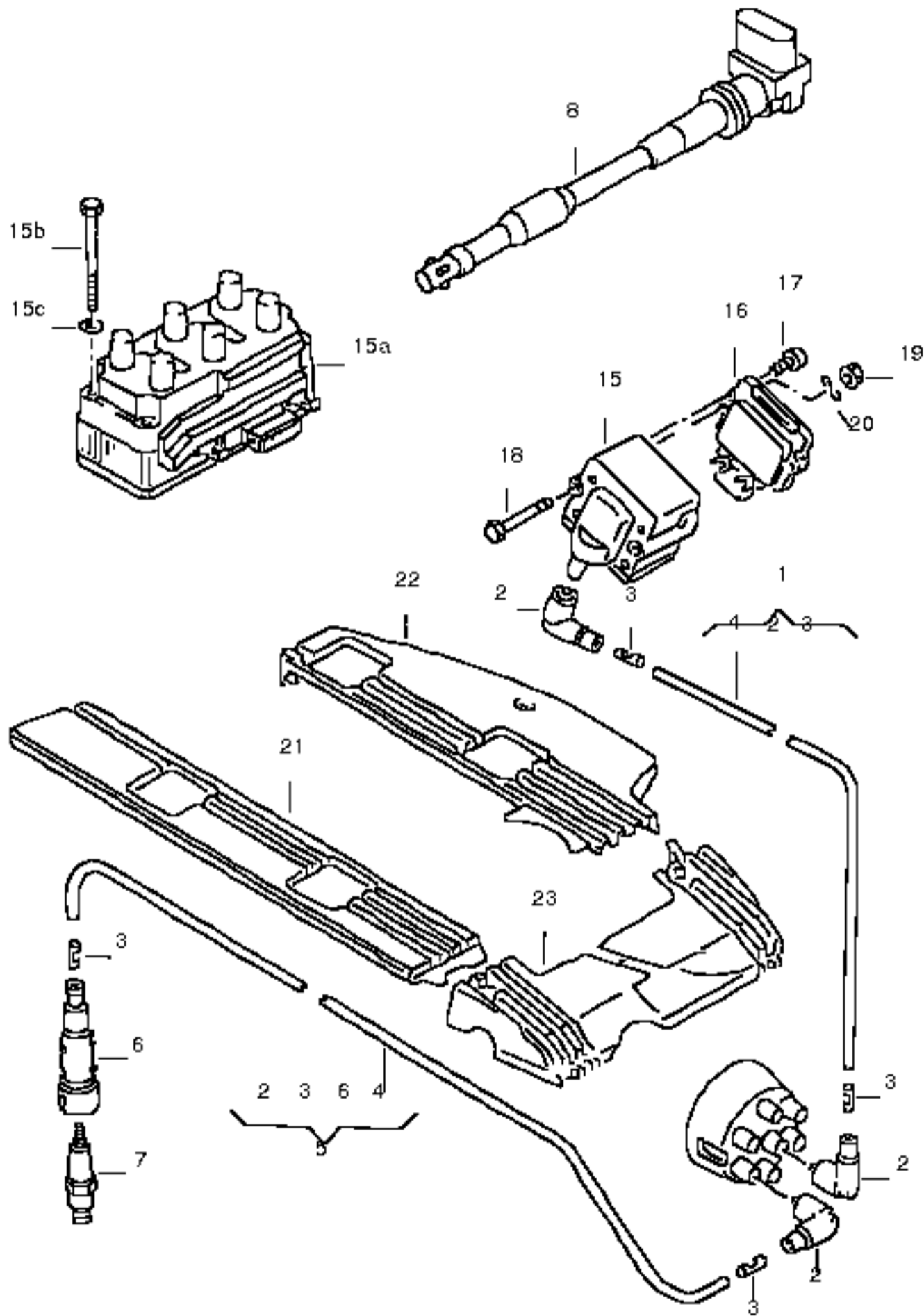
retainer

23 N 0121192

lock washer / A8,2

24 N 01100830

hexagonal nut / M8



ignition transformer / AES,AMV

ignition lead

spark plug

(5) 021905430CF

ignition lead / cylinder 1

(5) 021905430CG

ignition lead / cylinder 2

F 70-X-090 001>>

(5) 021905430CH

ignition lead / cylinder 3

(5) 021905430CJ

ignition lead / cylinder 4

(5) 021905430CK

ignition lead / cylinder 5

(5) 021905430CL

ignition lead / cylinder 6

(7) 101000035AH

spark plug 'longlife' / BKR5EKUP NGK / AES

(7) 101000062AB

spark plug 'longlife' / PZFR5D-1 NGK / AMV

(8) 022905100F

ignition coil

F >> 70-3-136 791 / AMV

(8) 022905100J

ignition coil

F 70-3-136 792>> / AMV

15A 021905106

ignition transformer

15B N 10059801

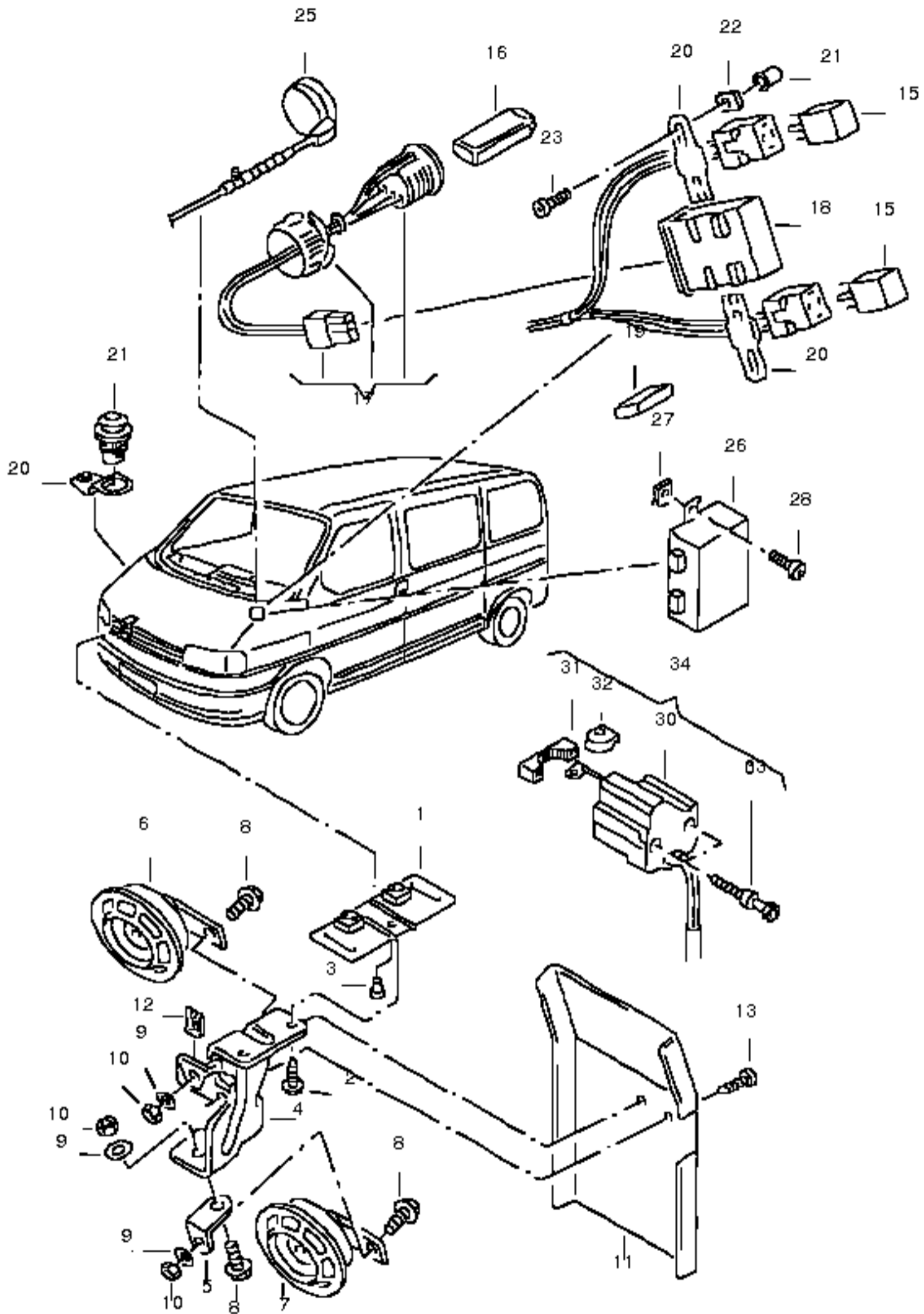
allen key head bolt / AM6X70

15C N 01152423

washer / A6,4X12,5X1,6

(21) 021905487C

guide tube



immobilizer

(25) 6H0953254

reader coil for variable code transponder

F >> 70-Y-060 000

(25) 6X0953254

reader coil for variable code transponder

F 70-Y-060 001>>

(26) 6H0953257BX

control unit for imobilizer with chang code transponder

F >> 70-Y-060 000

(26) 6X0953257 X

control unit for imobilizer with chang code transponder

F 70-Y-060 001>>

27 N 90506601

snap nut / 3,1X13X11,5

28 N 90241203

fillister hd. bolt / M4X20

immobilizer / diesel eng.: / ABL,AAB,AJA, / ATA

30 028907627

fuel cut-off solenoid

31 028955125

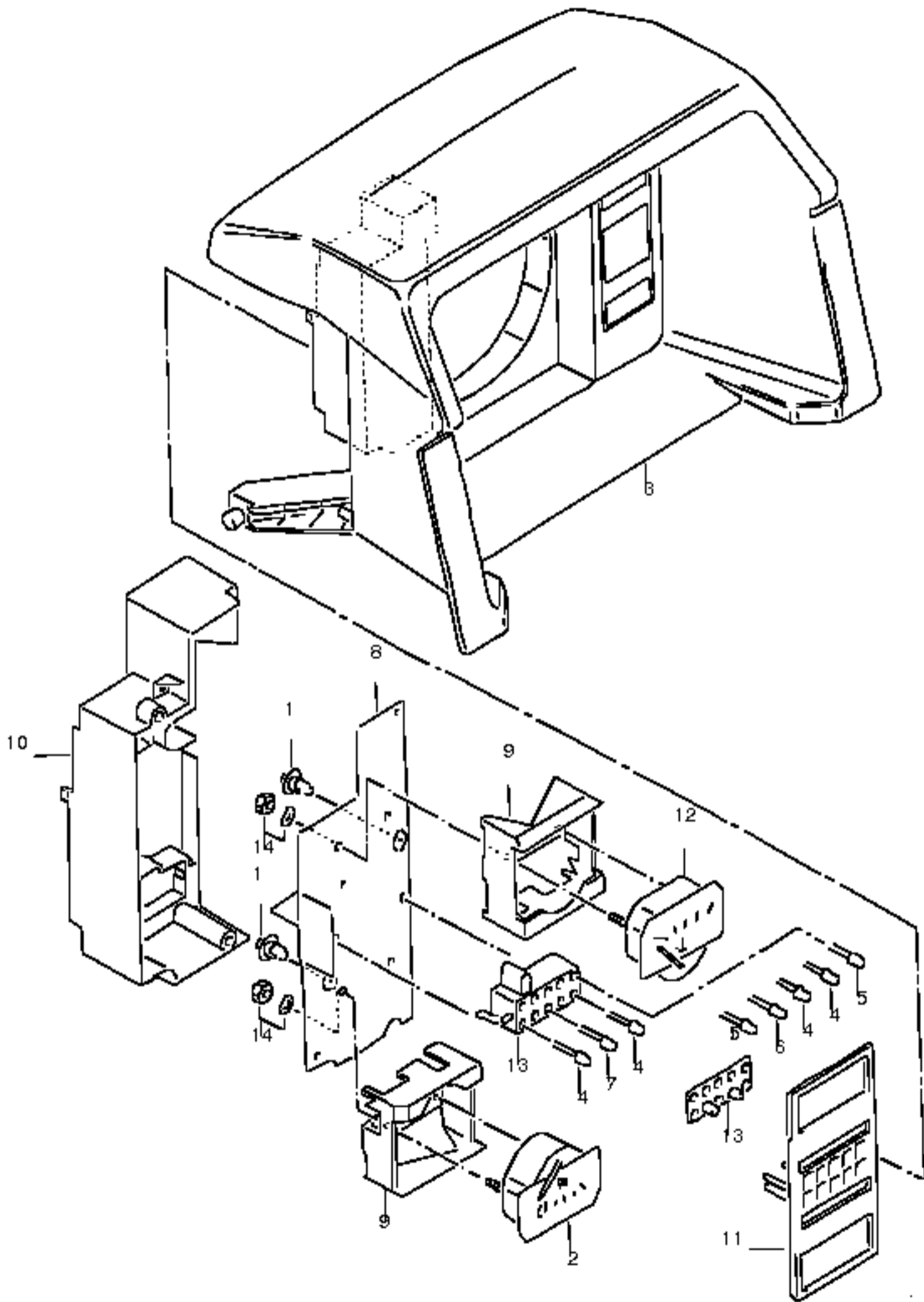
pipe clip

32 028905213

cover cap

33 028903285

sheer bolt



instrument housing and components

for vehicles with tachograph

F >> 70-X-200 000

1 701919040

bulb with black base / 12V1,2W / green

for dashboard lighting

F >> 70-XH051 759

F >> 70-XX053 082 / lhd

F >> 70-XX067 239 / rhd

(1) 4A0919040C

bulb / 12V1,1W for dashboard lighting

F 70-XH051 760>>

F 70-XX053 083>> / lhd

F 70-XX067 240>> / rhd

2 701919045

fuel gauge

3 701919053

instrument housing for tachograph lighting: / green

use if required: / 357 957 087

/ (01C)

F >> 70-XH051 759

F >> 70-XX053 082 / lhd

F >> 70-XX067 239 / rhd

701919053 J51 lagoon

701919053 E91 mistral (grey)

(3) 7D0919053

instrument housing for tachograph lighting: / white

F 70-XH051 760>>

F 70-XX053 083>> / lhd

F 70-XX067 240>> / rhd

7D0919053 2HP lagoon

7D0919053 6EK mistral (grey)

- 357957087

blind cover / 47,8X28

357957087 01C satin black

4 357919061

light emitting diode / red

5 357919061A

light emitting diode / green

6 867919061

light emitting diode / yellow

7 357919062

bulb with blue cap

(8) 701919064F

printed circuit / AAC

(8) 701919064G

printed circuit / AEU,ACV,AET, / AJT,AUF

(8) 701919064H

printed circuit / ABL,AJA

(8) 7D0919064

printed circuit / AES

9 701919067

fibre optic conductor

10 701919075

basic plate

(11) 701919219B

trim with opening for fuel gauge and temperature gauge lighting: / green

F >> 70-XH051 759

F >> 70-XX053 082 / lhd

F >> 70-XX067 239 / rhd

(11) 7D0919219

trim with opening for fuel gauge and temperature gauge lighting: / white

F 70-XH051 760>>

F 70-XX053 083>> / lhd

F 70-XX067 240>> / rhd

12 701919511

temperature gauge / AAC,AEU,AET

(12) 701919511A

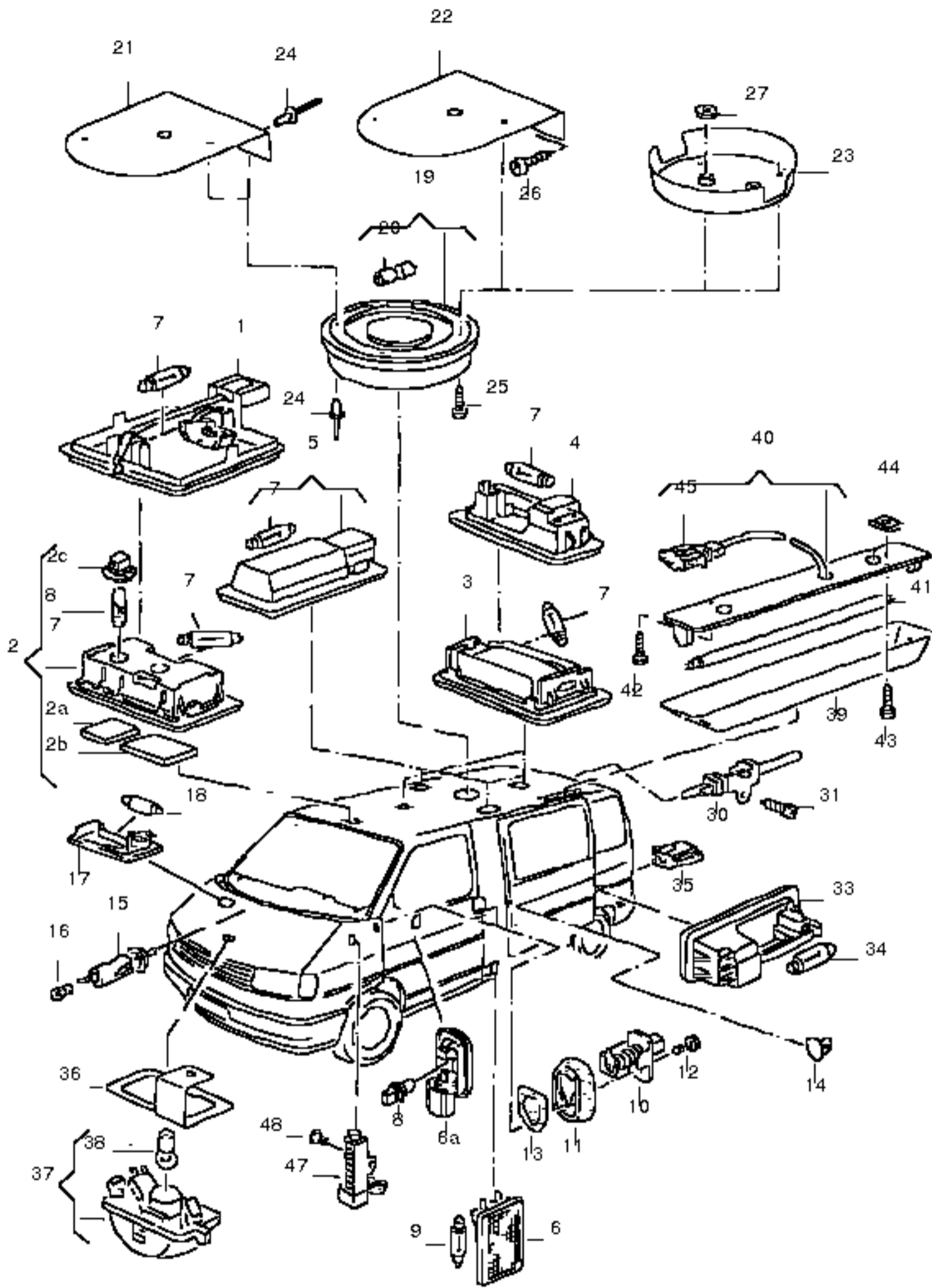
temperature gauge / AJA,ABL,ACV, / AJT,AUF

13 701998081

retaining plate for light emitting diode (led)

14 861998089

1 set: mounting parts for temperature gauge and fuel gauge



interior light
 glove box light
 load compartment light
 luggage compartment light
 engine compartment light
 transistorized light
 switch
 for hand brake control system
 interior light

1 191947111B

interior light

2 357947105B

interior and reading light with delayed switch-off
 357947105B Y20 pearl grey
 357947105B 8YS light beige

(2) 1H0947105

interior and reading light with delayed switch-off
 for vehicles with glass sliding roof

1H0947105 Y20 pearl grey

1H0947105 8YS light beige

lens for interior light

no replacement part

2B 7M3947125

lens for interior light

only for: / 1H0 947 105

in the corresponding color

(2B) 7M3947125A

lens for interior light

only for: / 357 947 105 B

in the corresponding color

2C 3B7919039

socket for bulb

(3) 357947105

interior light

357947105 Y20 pearl grey

357947105 8YS light beige

357947105 5YX beige

- 357947125

lens for interior light

only for: / 357 947 105

in the corresponding color

4 191947111C

interior light for high roof headlining (hardboard)

5 443947105C

interior light for passenger compartement load compartment light

443947105C Y20 pearl grey

443947105C 5YX beige

- 7D0947291

reading light

7D0947291 Y20 pearl grey

7D0947291 8YS light beige

(6) 171947311

light / CAMPMOBILE,

step / ALLSTAR

6 331947113

light (sliding door, left)

(6A) 1H0947291

light step light

1H0947291 01C satin black

1H0947291 9UW sahara

1H0947291 J51 lagoon

1H0947291 Y20 pearl grey

1H0947291 U71 flannel grey

1H0947291 Q70 light beige / -KS,NA,YR

7 N 0177232

bulb / K12V10W

8 1H0947297

bulb holder with bulb / W5W12V5W

(9) N 0177262

bulb / M12V3W / CAMPMOBILE, / ALLSTAR

9 N 0177252

bulb / L12V5W

(10) 7D0947563A

switch

11 113947565A

gasket

for door contact

12 N 90094901

fillister hd. bolt / CM3,5X13

(13) 191805491

plug for door contact switch opening

14 701947575

limit stop for sliding door

15 811947311

glove box light

16 N 0177172

bulb / HL12V4W

17 171947311

light for padded dashboard

18 N 0177262

bulb / M12V3W for padded dashboard load compartment light

19 251947105A

interior light with switch

20 N 10032001

halogen bulb / YL12V20W

22 721947155A

bracket for roof inter. light

(23) 721947155

bracket for interior light headlining (hardboard)

24 N 0162011

cup rivet / AK4,8X14

25 N 01396626

oval head panel screw / 4,2X13STC

26 N 0139671

oval head panel screw / B4,2X19-C

27 803955637

sealing washer

30 721947563

switch

for wing door

31 N 0139655

oval head panel screw / B4,2X9,5 luggage compartment light

33 191947111C

interior light

34 N 0177232

bulb / K12V10W

35 535959665

switch engine compartment light

36 701947155

retainer

37 4A0947319

engine compartment light

38 N 0177192

bulb / G12V10W transistorized light

(39) 7D0947125

window

(40) 7D0947107A

transistoriz. lamp with switch

7D0947107A Y20 pearl grey

(40) 7D0947107C

transistorized light / ambulance

7D0947107C 9UW sahara

41 N 10078601

fluorescent tube / TL58V/8W

43 N 0139587

oval head panel screw / ST3,5X13-C

44 N 0154931

snap nut / B3,5X13,5X10

45 191972712

flat connector housing / 2 pin

- 000097141

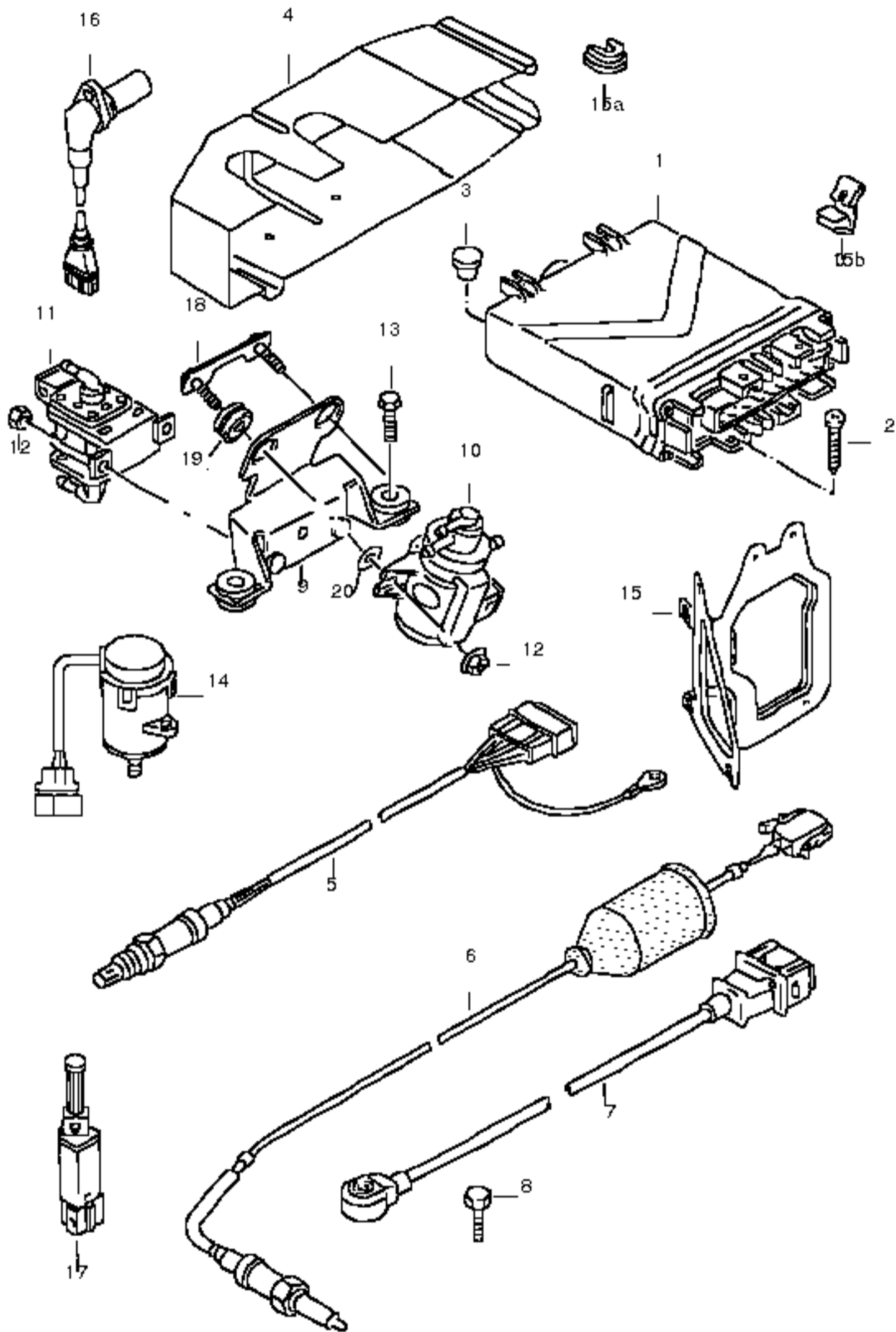
fuse 'order unit 10' / T1,6A/5X20

47 191947563B

switch

48 N 90478601

pop-rivet / A4,8X11



lambda probe / AAC,AJA,ACV,
 / AES,AET,AEU,
 / AHY,AJT,APL,
 / AMV,AVT,AUF,
 / AXG

5 030906265AN
 lambda probe / AAC

(5) 023906262A
 lambda probe / APL,AVT (in front of catalyst)

(5) 021906262B
 lambda probe / AMV (in front of catalyst)

(5) 023906262
 lambda probe / APL,AVT,AMV (behind catalyst)

(5) 021906265R
 lambda probe / AET

(5) 023906265D
 lambda probe / AEU

(5) 021906265AK
 lambda probe / AES (in front of catalyst)

(5) 021906265AQ
 lambda probe / AES (behind catalyst)

6 702906088A
 temperature sensor / "J.."

(7) 021905377C
 knock sensor with wiring harness / 260MM / AES
 / black

(7) 022905377
 knock sensor with wiring harness / 270MM / AMV

7 030905377
 knock sensor with wiring harness / 300MM / AET,APL,AVT
 / black

(7) 037905377A
 knock sensor with wiring harness / 340MM / AET,APL,AVT
 / brown

8 N 0102336
 hexagonal head bolt / M8X28 / AET,APL,AVT

(8) N 0102724
 hexagonal head bolt / M8X26 / AES,AMV

(9) 7D0906285B
 retainer / ACV

(9) 7D0906285D
 retainer / AHY

10 1H0906627
 pressure converter / ACV,AHY

(10) 1H0906627A
 pressure converter / -EPW- / AHY

11 701906283
 solenoid change-over valve / ACV

12 N 90106302
 hexagon nut, shouldered / M6 / ACV

13 N 0159461
 hexagon head panel screw / A6,5X19 / ACV
 see illustration: / 721-55

(16) 023906433A
 impulse sender / AEU,AET

(16) 074906433
 impulse sender / APL,AVT

(16) 075906433C
 impulse sender / ACV,AJT,AYY, / AYC,AUF,AHY, / AXG

(16) 021906433C
 engine speed impulse sender / AES

(16) 021906433E
 engine speed impulse sender / AMV

(16) 06A905161A
 hall sender / AES,AMV

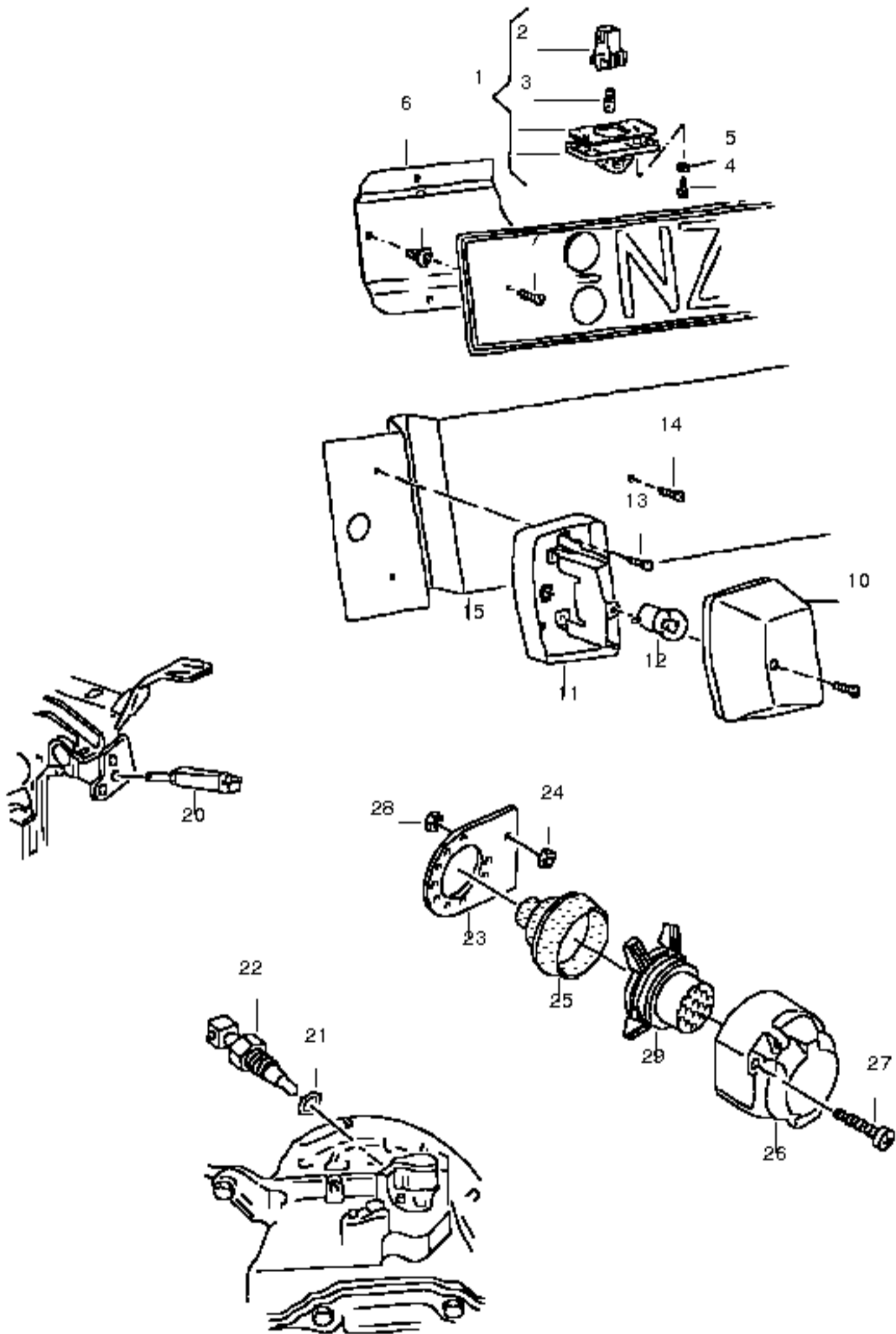
17 1H0927189D
 switch / ACV,APL,AHY,
 pedal clutch / AUF,AJT,AVT

(17) 1H0927189C
 switch / ACV,AHY,AUF,
 brake pedal / AJT

(18) 046130405
 retaining plate / ACV

(19) 046131887
 grommet / ACV

(20) 052129734
 distance piece / ACV



licence plate light
switch - brake light
switch for reversing light
electric socket
for trailer towing
licence plate light / kombi van
/ delivery van

1 701943021
licence plate light

2 701943167
socket for bulb

3 N 0177532
bulb / W5W-12V

4 N 0139612
oval head panel screw / ST3,9X13-F

5 411945279
washer

6 705943199
licence plate bracket

7 N 0139755
oval head panel screw / ST4,8X19

8 357868143
insert nut / 8MM

10 283943111A
housing with lens

11 283943117
bulb holder

12 N 0177192
bulb / G12V10W

13 N 0139605
oval head panel screw / B3,9X9,5

14 N 0139755
oval head panel screw / ST4,8X19

15 707943199
bracket for plate light / 750X120MM
for models with towing facility
towing attachment (ball type) with licence plate / 1020X120MM

20 191945515B
switch - brake light

(20) 1J0945511A
switch - brake light / APL,ACV

21 020301244
seal

22 020945415A
switch for reversing light / 2 pin
/ M12X1,5

23 357945509
retainer

24 N 90215802
hexagonal nut / M6SB

25 8A0945527
grommet

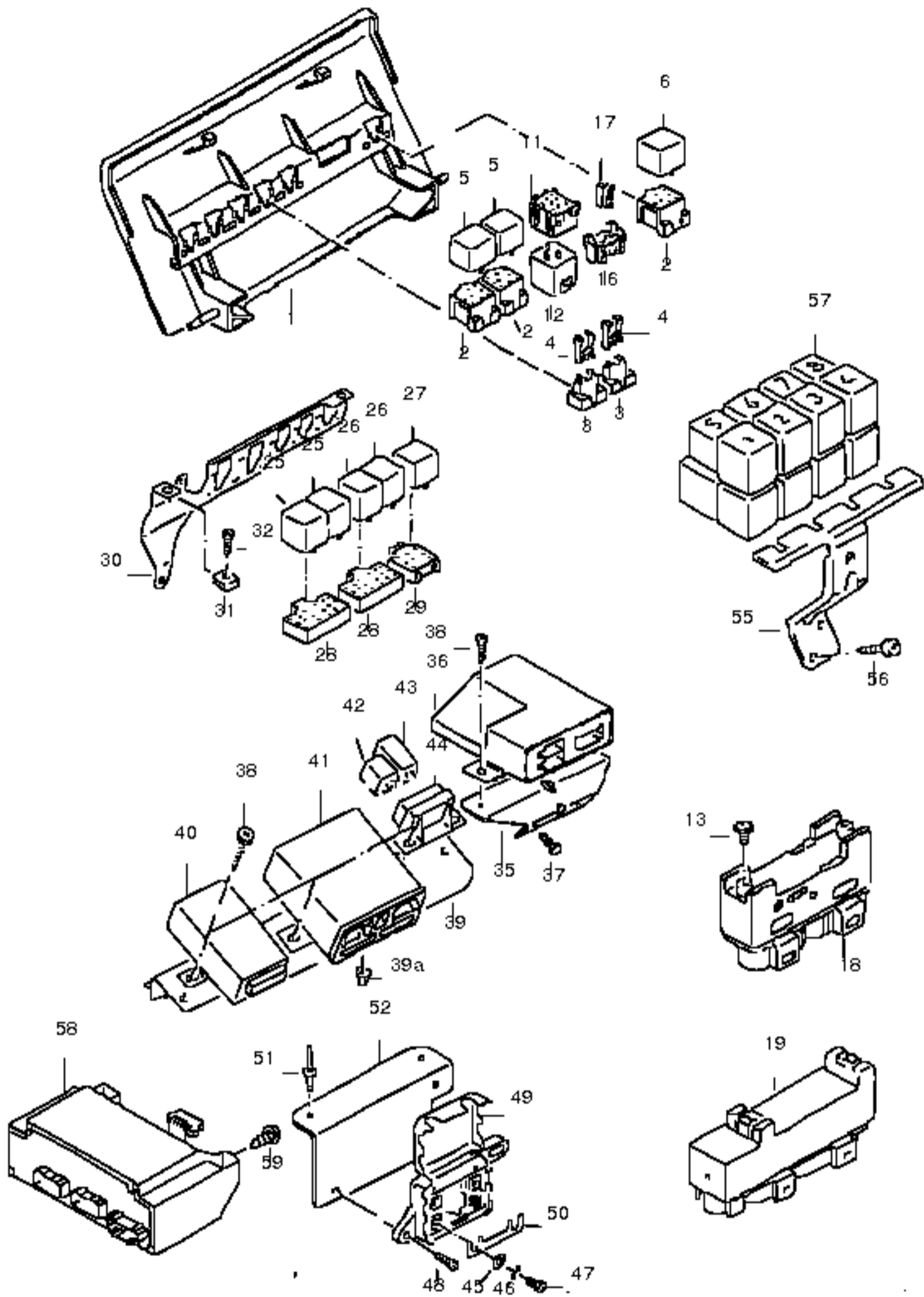
26 1H0945505A
housing for trailer towing socket / 13 pin

27 N 0441352
fillister hd. bolt / M5X35

28 N 0111821
hexagon nut, self-locking / M5

29 7M0971946
rd. connector sleeve housing / 13 pin

- 1H0971701
flat terminal pin housing / 3 pin
for single wiring: / 000 979 105 / 1,0



relays and control units

fuse box
 relay
 fuse box
 relay plate

1 701972567

battery cover with relay plate bracket

2 161937501B

relay plate / 9 pin

(2) 867937501

relay plate / 9 pin

to be used for: / 7D0 951 253

/ 7D0 951 253 A

3 1H0937530

fuse box for flat fuses / 2 pin

4 N 01713111

flat fuse 19/2x5 / 10-red

(4) N 01713115

flat fuse 19/2x5 / 30-light green

5 141951253B

relay

6 8D0951253A

relay / 35A

for 2. battery

relay location/code no.: / /373

to be used for code no.: / 214

F >> 70-Y-070 000*

(6) 7D0951253A

contact close relay

for 2. battery

relay location/code no.: / /426

F 70-Y-070 001>>

(6) 251937503

relay / diesel eng.

for additional heater

(6) 7D0919090

relay / PR-7VE

additional water pump

for models with supplementary heater

relay location/code no.: / /403

relay

rear fog light

for models with towing facility

11 161937501B

relay plate / 9 pin

16 357937517

junction box / 4 point

17 701906231

flat contact housing / 2.8MM

18 701919506

electric fan control unit / 40A/50A

19 701919506A

electric fan control unit / 50A/30A/25A

for vehicles with air condit.

13 N 90472301

fillister head bolt (combi.) / M6X9-Z2

for models with cruise control system

for additional heater

control unit for additional heater / B3L/D3L

see illustration: / 261-32/POS.17

no replacement part

(37) N 01021226

hexagonal head bolt / M6X12

38 N 0139705

oval head panel screw / B4,8X9,5

(39) 701937221B

retainer / lhd

for additional heater

(39A) 171201969

hexagon nut, shouldered / 5

42 431951253F

contact close relay

additional heater

43 171959141A

relay

additional heater

44 251937501C

relay plate / 18 pin

fuse box

F >> 70-X-050 000

N 0171251

fuse / B50

45 N 0115562

washer / 5,3X9,5X1

46 N 0120053

spring ring / B5

47 N 01412811

fillister hd. bolt / M5X8

48 N 01396626

oval head panel screw / 4,2X13STC

49 281937505A

fuse box without fuses

50 N 0171251

fuse / B50

(50) N 0171252

fuse / B30

51 N 0161943

pop-rivet / A4,8X7,6

(52) 7D0937503

retainer

fuse box

(52) 7D0937503A

bracket for relay

relay

additional relay plate

bracket for relay / 4 point

no replacement part

56 N 0139755

oval head panel screw / ST4,8X19

(57) 3B0035731

relay

for vehicles with telephone

relay location/code no.: / 1/

(57) 7D0943383

relay for rotat.emerg.light

relay location/code no.: / 1/406

(57) 141951253B

relay / "AUS"

for cigarette lighter

relay location/code no.: / 2/53

(57) 191927841

relay / ambulance

roof ventilador

relay location/code no.: / 2/79

(57) 7D0959263C

series resistor

for alternator: / 150AH

relay location: / 3

F >> 70-1-200 000

(57) 3A0951307

buzzer / ambulance

relay location/code no.: / 3/36

to be used for code no.: / 89

(57) 141951253B

relay / AES

alternator

relay location/code no.: / 3/53

(57) 431951253F

contact close relay

for vehicles with passenger comp. ventilation

relay location/code no.: / 4/206

to be used for code no.: / 38

(57) 357959141A

relay / BD4W

for models with supplementary heater

relay location/code no.: / 5/106

(57) 141951253B

relay

for vehicles with 2nd heat exchanger

relay location/code no.: / 6/53

(57) 701959141A

relay

for vehicles with electroni- cally regulated air condit.

for vehicles with 2nd evaporator

relay location: / 6/114

(57) 701963281

impulse sender

for vehicles with 2nd heat exchanger

relay location/code no.: / 7/152

(57) 3A0927181

relay - starter

4 speed automatic gearbox

relay location/code no.: / 8/175

control unit for air condit.

for vehicles with electroni- cally regulated air condit.

58 7D0907044

control unit for air condit.

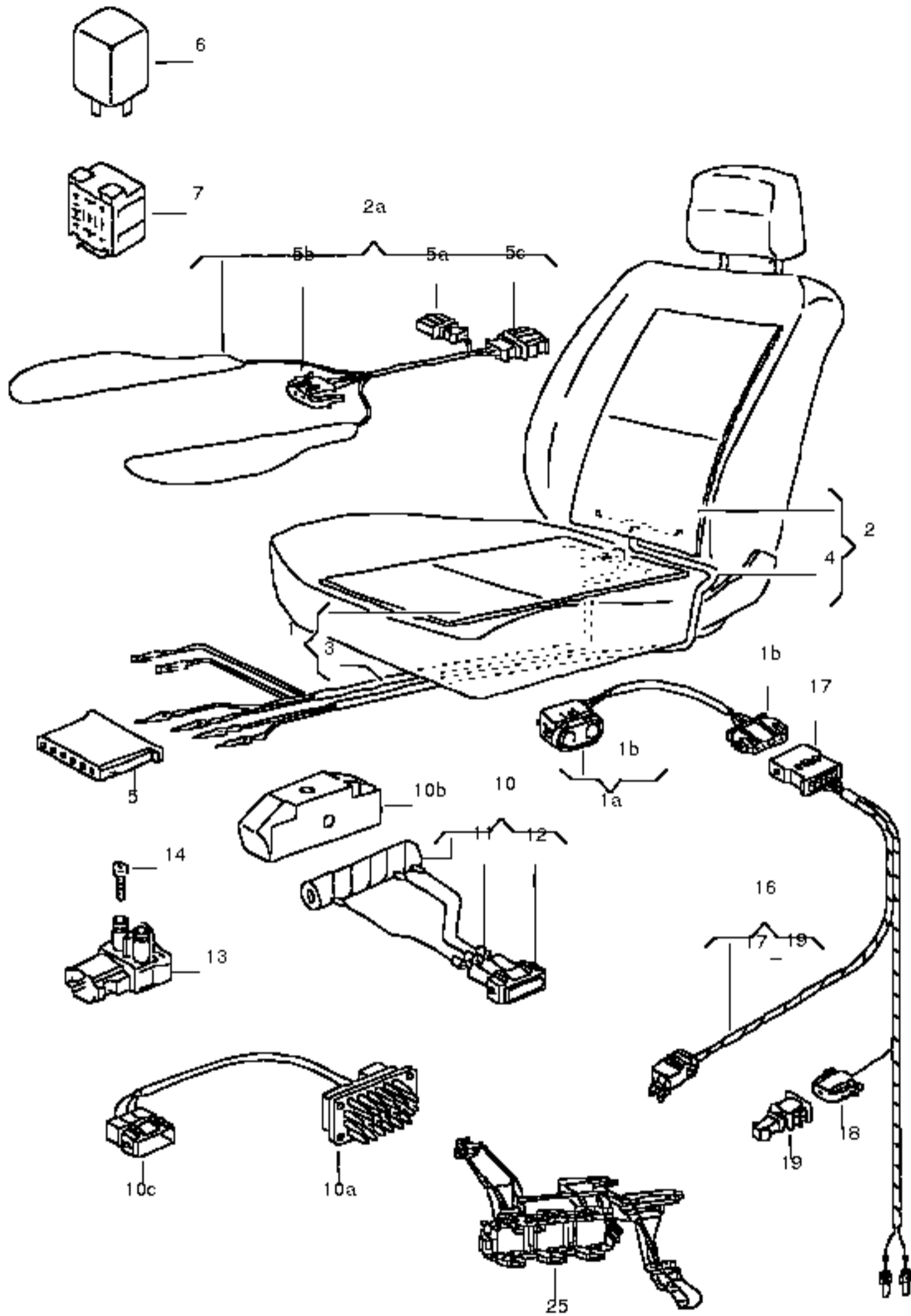
for vehicles with electroni- cally regulated air condit.

display and operating unit

see illustration: / 941-86/POS.6

59 N 90448401

fillister hd. bolt / M4X15



seat and backrest, heated
 blower control
 series resistor
 additional heat exchanger
 switch for additional heater

(1) 7D0963555A

heater element-seat / PR-N0A,N0C, / N0J,N0P,N0U, / N1S,N2N,N2Z, / N3D,N4M

(1) 7D0963555

heater element-seat / PR-N2Z,N7F: / E7L,E5E,E7J; / PR-E0A:N7F

(2) 7D0963557A

backrest heater element / PR-N0A,N0C, / N0J,N0P,N0U, / N1S,N2N,N2Z, / N3D,N4M

(2) 7D0963557

backrest heater element / PR-N2Z,N7F: / E7L,E5E,E7J; / PR-E0A:N7F

2A 7D0963556

heater element-seat / side / PR-N2Z,N7F: / E7L,E5E,E7J; / PR-E0A:N7F

also use: / 1J0 972 732

(5) 1J0972732

flat terminal pin housing / 4 pin

5A 1J0972712

flat connector housing with additional contact catch / 2 pin

/ black

5B 1J0972722

flat terminal pin housing / 4 pin

5C 191972733

flat terminal pin housing / 6 pin

10 701963095

series resistor

additional heat exchanger

10A 701907521

blower control

for vehicles with electronically regulated air condit.

for vehicles with 2nd evaporator

10B 321971280

bracket for resistance

10C 357972783

flat connector housing / 3 pin

11 357972742B

single wiring seal / 9,0X7,8

/ red

for wire cross section: / 2,5

12 357972783

flat connector housing / 3 pin

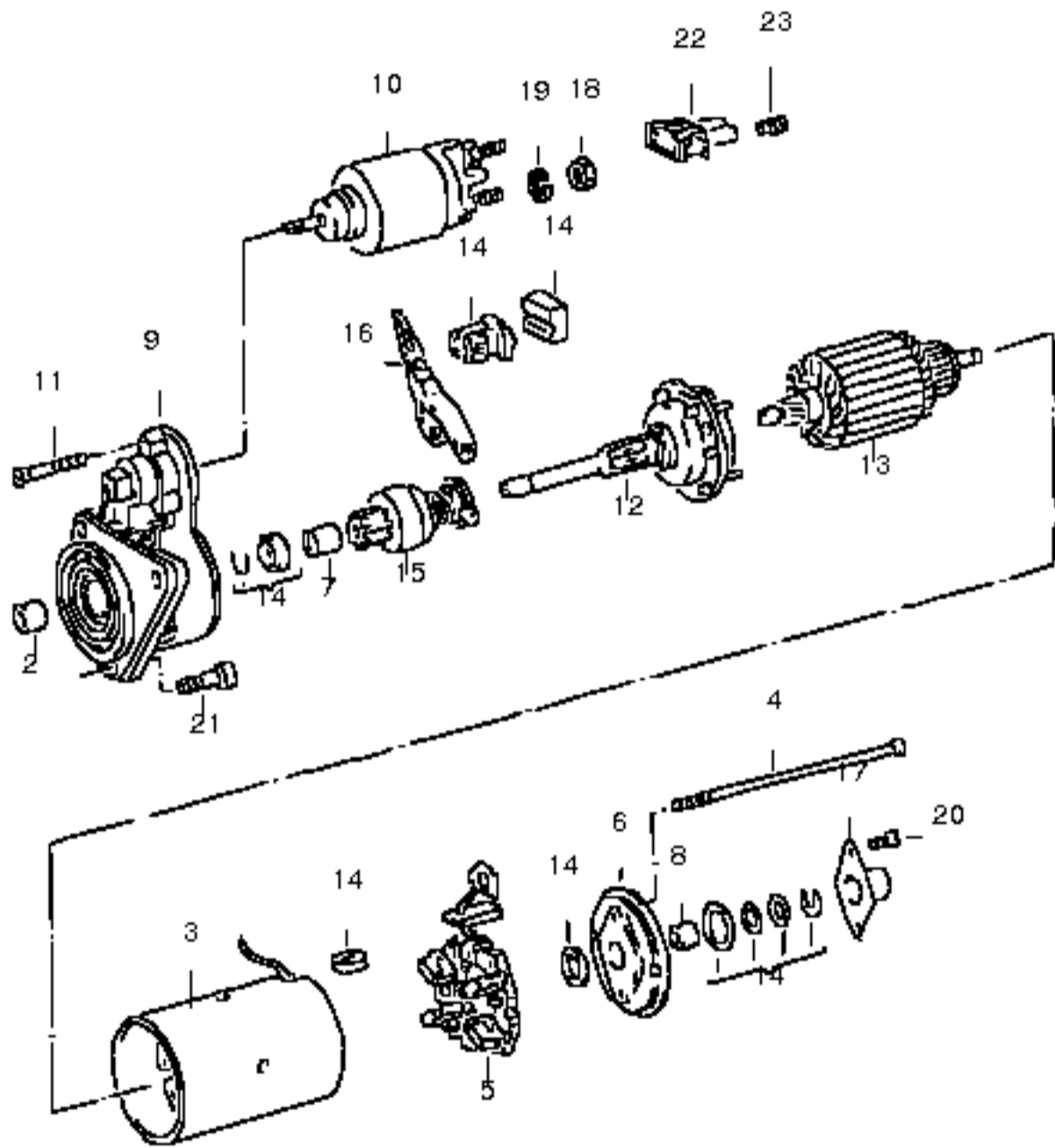
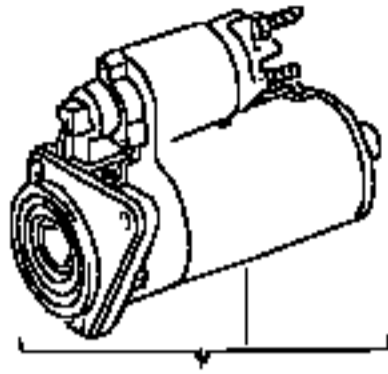
13 701963119

switch for additional heater

fresh air and heater controls

14 N 0139575

oval head panel screw / B3,5X9,5



starter and single parts

1 02B911023BX
starter

(1) 020911023F
starter

(1) 020911023FX
starter

(1) 02B911023F
starter

(1) 02B911023FX
starter

(1) 02B911023JX
starter

(1) 02B911023NX
starter

(1) 02B911023L
starter

(1) 02B911023LX
starter

(1) 02B911023M
starter

(1) 02B911023MX
starter

(1) 020911023NX
starter

(1) 020911023P
starter

(1) 068911023TX
starter

(1) 020911024A
starter

(1) 020911024AX
starter

(1) 068911024K
starter

(1) 068911024KX
starter / 1,7KW BOSCH

2 014301155
bearing bush

for starter: / 3

(2) 113301155
bush / 14,12X14

for starter: / 4

3 -----

no longer available

4 311911145A
cheese head bolt

for starter: / 4

(5) 02B911209
brush holder plate

for starter: / 1,4,6

(5) 020911209E
brush holder plate

for starter: / 8A,3

also use: / 068 911 211 D

(5) 02A911209E
brush holder plate

for starter: / 9,10

6 02A911211
commutator bearing housing

for starter: / 4

(6) 068911211A
commutator bearing housing

for starter: / 3

(6) 068911211D
commutator bearing housing

for starter: / 8A,9,10

7 02B911213
bearing bush

for starter: / 3,4

8 035911213B
bearing bush

9 020911255
starter drive housing

for starter: / 4

(9) 020911255A
starter drive housing

for starter: / 3

(9) 02B998023D
repair kit for starter

for starter: / 2

10 085911287
solenoid switch

for starter: / 1,3,5,6

(10) 026911287
solenoid switch

for starter: / 4

(11) 035911299B
torx socket head bolt / M5X33

12 020911303
planetary gear

for starter: / 4

(12) 020911303B
planetary gear

for starter: / 1,6

(12) 068998303
1 set: planetary gears with pinion gear and armature

for starter: / 3

(13) 053911311
armature

for starter: / 4

14 035911320A
repair kit for starter

15 02A911335J
freewheel unit

for starter: / 6

(15) 02T911335
freewheel unit

for starter: / 9

(15) 02B998023D
repair kit for starter

for starter: / 2

(15) 02B911335A
freewheel unit

for starter: / 1

(15) 020911335A
freewheel unit

for starter: / 4

16 085911365
engaging lever

17 020911495
cap

18 N 90295502
hexagonal nut / M8

19 N 0120387
spring ring / 8

20 N 0141228
fillister hd. bolt / M4X8

21 N 90342402
allen key head bolt (combi) / M8X32

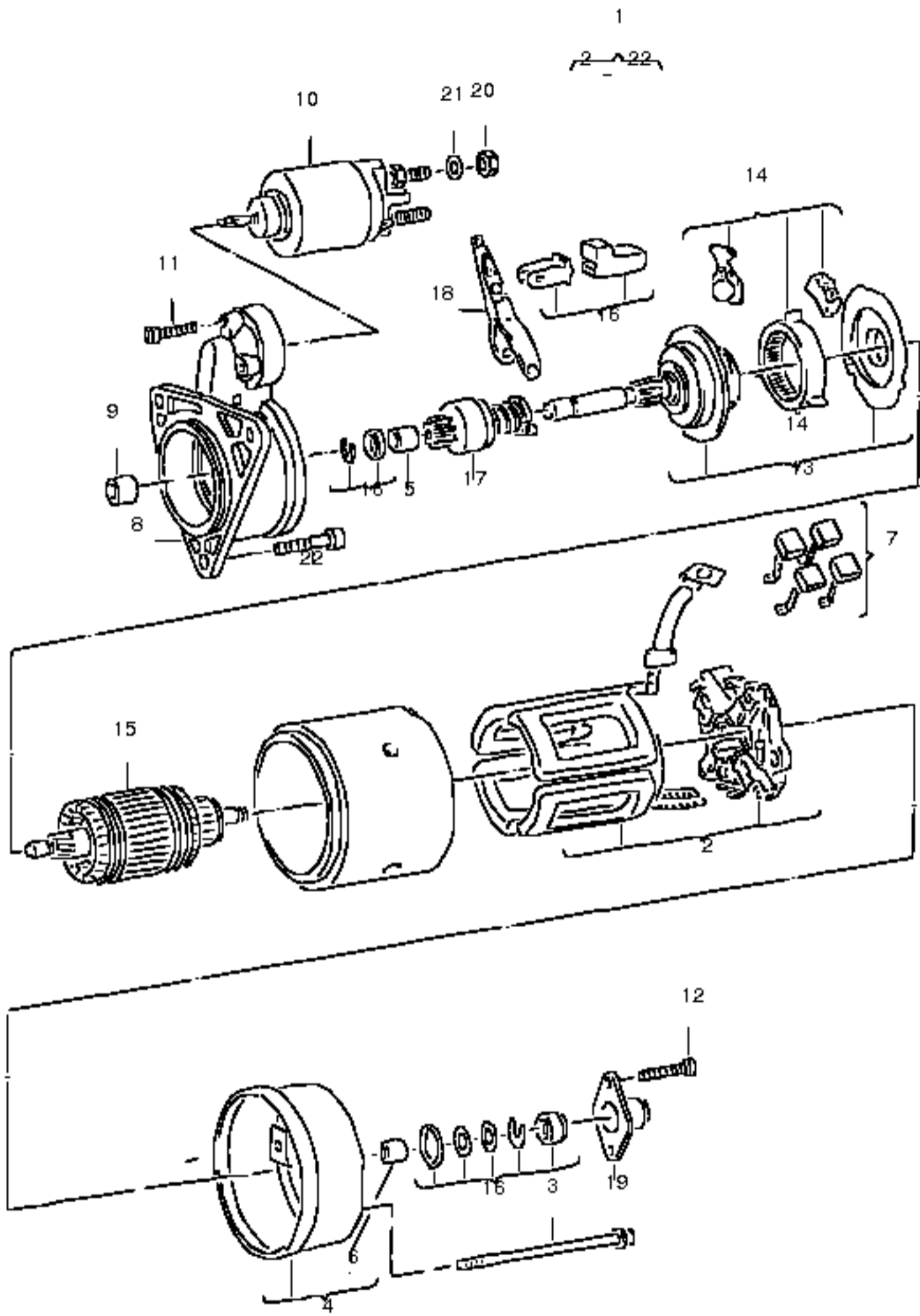
(21) N 0147296
allen key head bolt / M10X45 / automatic

22 357972771
flat contact housing / 1 pin

23 357972742C
single wiring seal / 9,0X7,8

/ green

for wire cross section: / 4,0



starter and single parts

for starter: / 2

(1) 02B911023L

starter

(1) 02B911023LX

starter

(2) 020911209E

brush holder plate

also use: / 068 911 211 D

- 068911211D

commutator bearing housing

4 068911211A

commutator bearing housing

6 035911213B

bearing bush

10 085911287

solenoid switch

(11) 035911299B

torx socket head bolt / M5X33

15 -----

no longer available

19 020911495

cap

(20) N 01111816

hexagonal nut / BM8

21 N 0122293

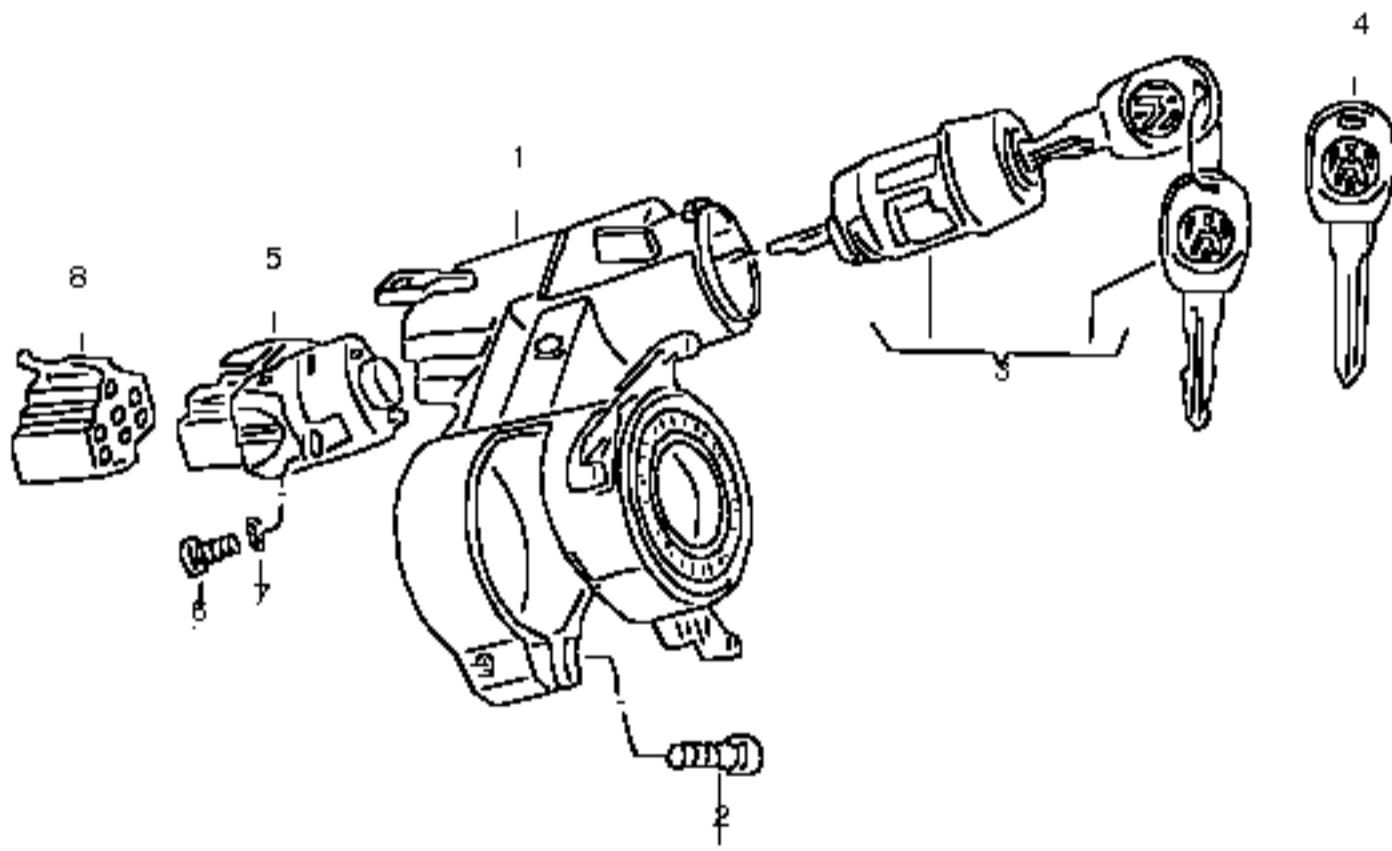
spring washer / A8X15X0,5

22 N 90342402

allen key head bolt (combi) / M8X32

(22) N 0147296

allen key head bolt / M10X45 / automatic



steering lock
ignition/starter switch

1 701905851
steering lock without ignition starter switch

(1) 701905851A
steering lock with key lock system / automatic

2 N 0147392
allen key head bolt / M8X16

(3) 7D0905855
lock cylinder for ignition starter switch
F >> 70-Y-047 400*

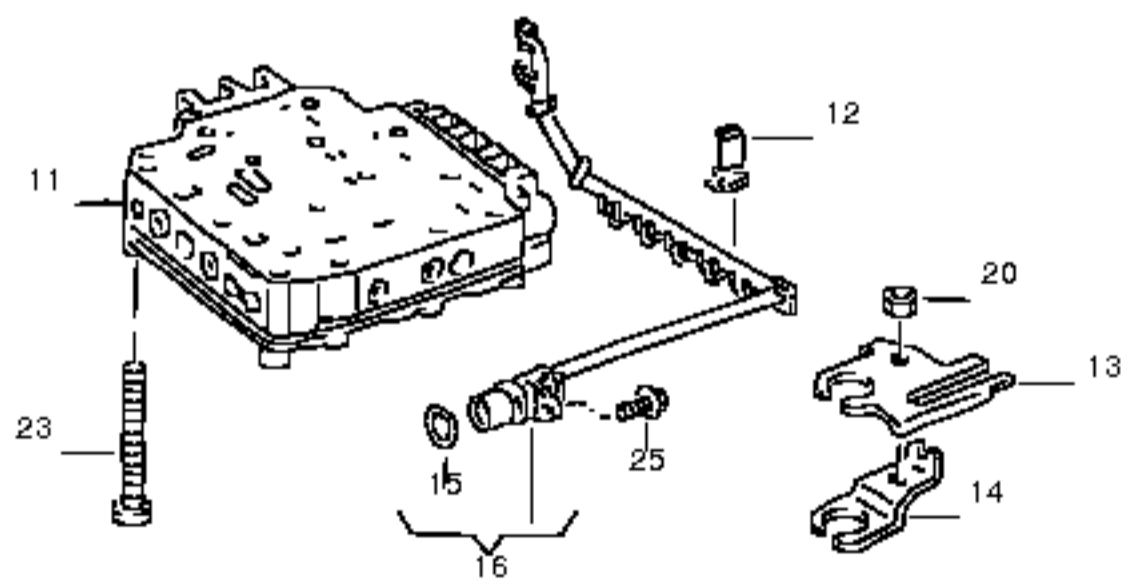
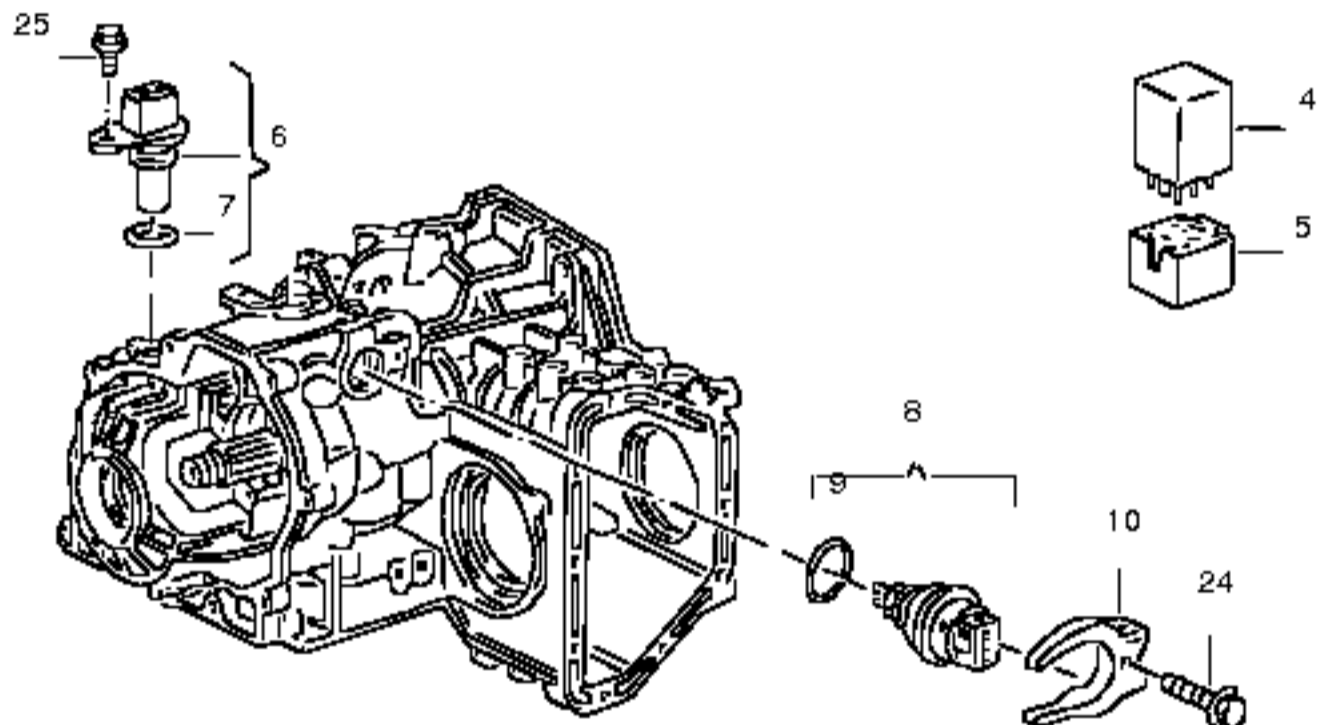
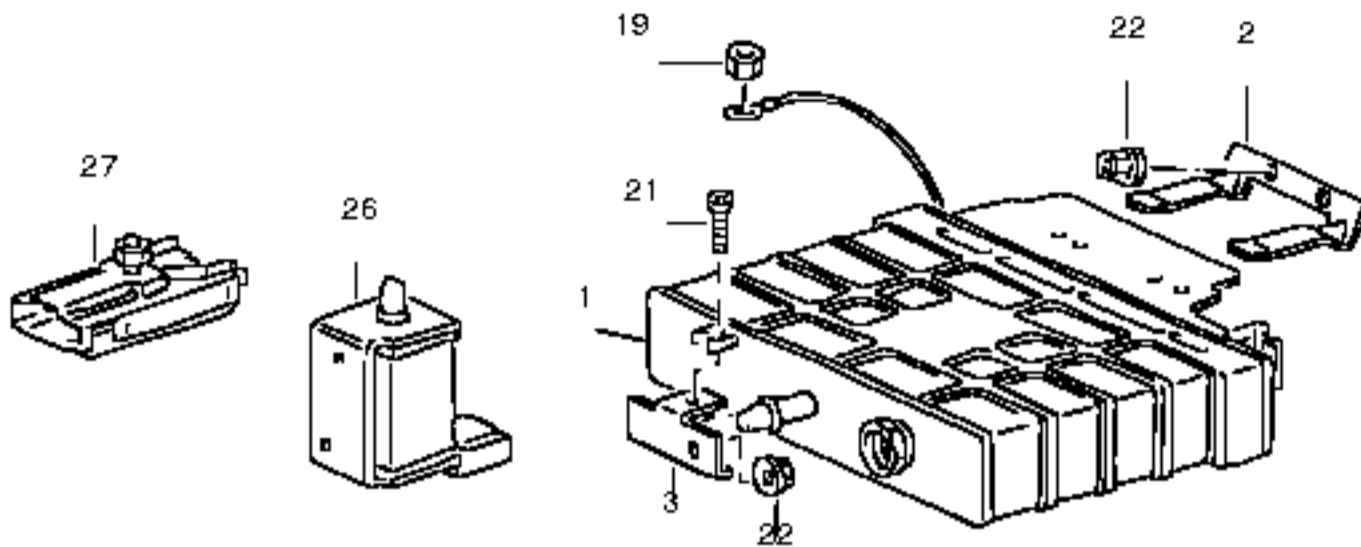
(3) 7D0905855A
lock cylinder for ignition starter switch
F 70-Y-047 401>>*>
see illustration: / 837-00

5 6N0905865
ignition/starter switch

6 N 0441155
round hd. screw / M3X6

7 N 0120032
spring ring / B3

8 357953631
flat contact housing / 7 pin



switch and sender on gearbox / 4 speed automatic
electro magnet
valve body

4 3A0927181
relay - starter

5 161937501B
relay plate

6 095927321C
sender for vehicle speed
speed sender

7 095321559
round seal / 11X3

8 095919823F
multi-function switch for automatic gearbox / 7 pin
counterpart to: / 3A0 973 207 A

9 095321529
round seal / 22X3

10 097321527
retainer
see illustration: / 325-50

(12) 01M321395A
retaining clip

13 095321424E
retainer / upper

14 095321425A
retainer / lower

15 095325381A
round seal / 19X3

(16) 098927365A
printed circuit foil valve body

20 N 01100830
hexagonal nut / M8

23 N 10194302
round head bolt / M6X55

24 N 90533002
hexagon head bolt (combi) / M6X20

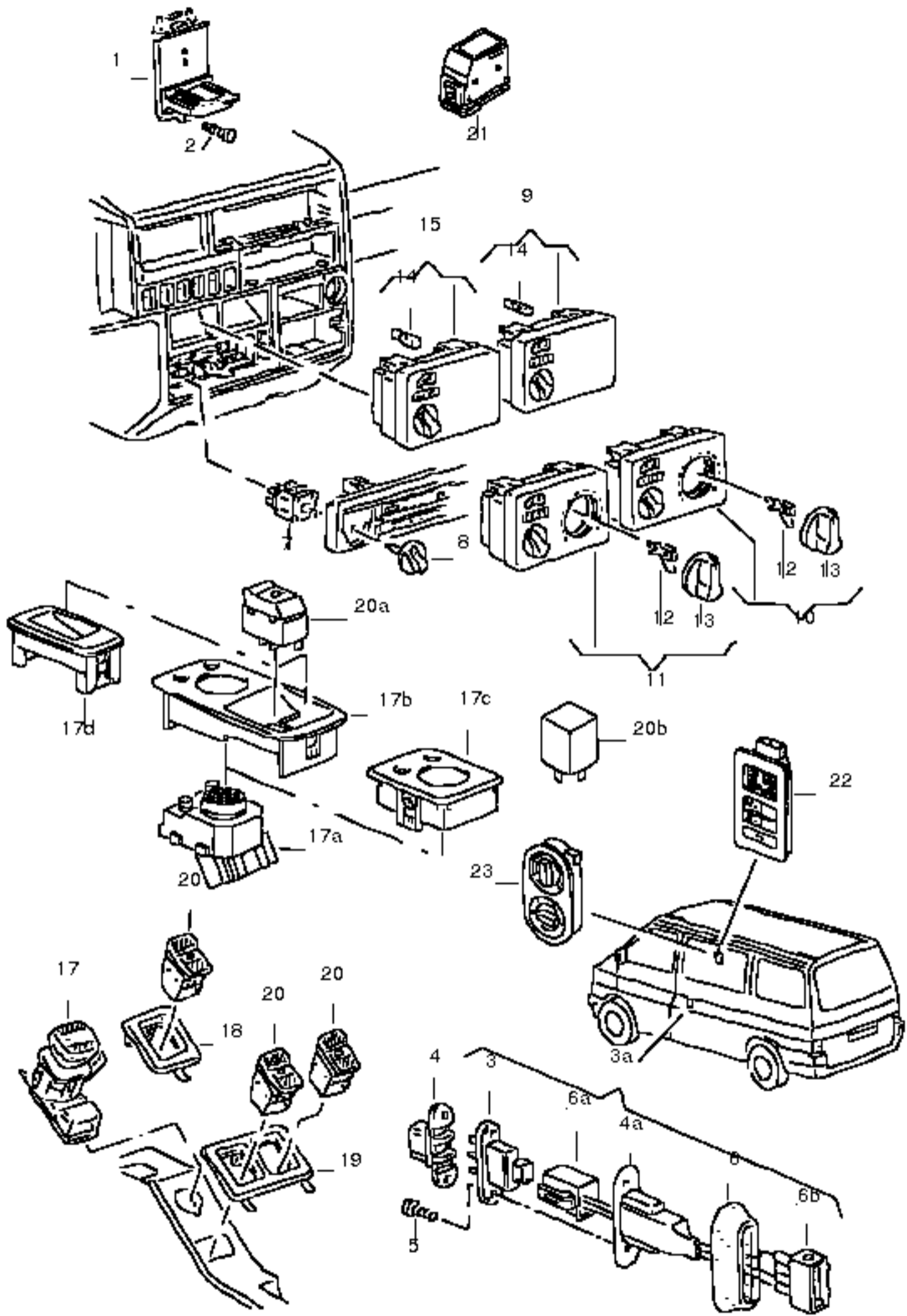
25 N 90440701
hexagonal head bolt / M6X15

26 155927353A
electro magnet

27 702927201
starter inhibitor switch / rhd / automatic

- 357919243A
bulb holder with bulb / green
for selector lever lighting
F >> 70-XH051 759
F >> 70-XX053 083 / lhd
F >> 70-XX067 240 / rhd
357919243A K25 green

- 357919243D
bulb holder with bulb
for selector lever lighting
F 70-XH051 761>>
F 70-XX053 084>> / lhd
F 70-XX067 241>> / rhd
357919243D L55 red



switch for blower motor
 series resistance for fresh air and hot air blower
 contacts for central locking system
 central locking control unit with radio wave remote control
 switch for rear view mirror electrically operated
 switch for electric windows
 switch and control unit for electric sliding roof operation

1 701959263
 series resistance for fresh air and hot air blower / 1,7/0,8/0,4
 and passenger comp. ventilation

(1) 701959263A
 series resistance for fresh air and hot air blower / 1,9/0,92/0,26
 for vehicles with manually regulated air conditioner

(1) 7D1959263
 series resistor
 for vehicles with additional heat exch.

2 N 90130801
 fillister hd. bolt / E4,2X16

3 701959375E
 contacts

3A -----
 no longer available

4 701959377
 contact plate
 for vehicles with sliding door central locking system

4A 701959379
 grommet

5 N 0139575
 oval head panel screw / B3,5X9,5

6 701962111
 gasket

(6A) 1J0972924
 flat contact housing / 3 pin

(6B) 357972754
 flat contact housing / 4 pin

17A 535959565
 switch for rear view mirror electrically operated

lighting: / green
 535959565 01C satin black

17A 7D0959565
 switch for rear view mirror electrically operated
 lighting: / red
 7D0959565 01C satin black

17B 701959550
 switch bracket
 701959550 01C satin black

17C 701959550A
 switch bracket
 701959550A 01C satin black

17D 701959550B
 switch bracket
 701959550B 01C satin black

20A 701959855
 switch for electric windows
 lighting: / green
 701959855 01C satin black

20A 7D0959855
 switch for electric windows
 lighting: / red
 7D0959855 01C satin black

(20B) 7D0959800
 central locking control unit with radio wave remote control
 F >> 70-Y-200 000

(20B) 7D0959800B
 central locking control unit with radio wave remote control
 F 70-1-000 001>>
 7D0959800B 001
 central locking control unit with radio wave remote control / deliv. van,
 / bus,
 / kombi,
 / pick-up
 7D0959800B 002
 central locking control unit with radio wave remote control / double cab

(20B) 7D0959800A
 central locking control unit with radio wave remote control
 F >> 70-Y-200 000 / "AUS"

(20B) 7D0959800C
 central locking control unit with radio wave remote control
 F 70-1-000 001>>
 7D0959800C 001
 central locking control unit with radio wave remote control / "AUS":
 / deliv. van,
 / bus,
 / kombi,
 / pick-up
 7D0959800C 002
 central locking control unit with radio wave remote control / "AUS":
 / double cab

20B 701959257
 control unit for electric sliding roof operation

(21) 7M0959728
 switch for pop-up roof drivers cab
 lighting: / green
 7M0959728 Y20 pearl grey

(21) 7D0959728A
 switch for pop-up roof drivers cab
 lighting: / red
 7D0959728A Y20 pearl grey
 7D0959728A 8YS light beige

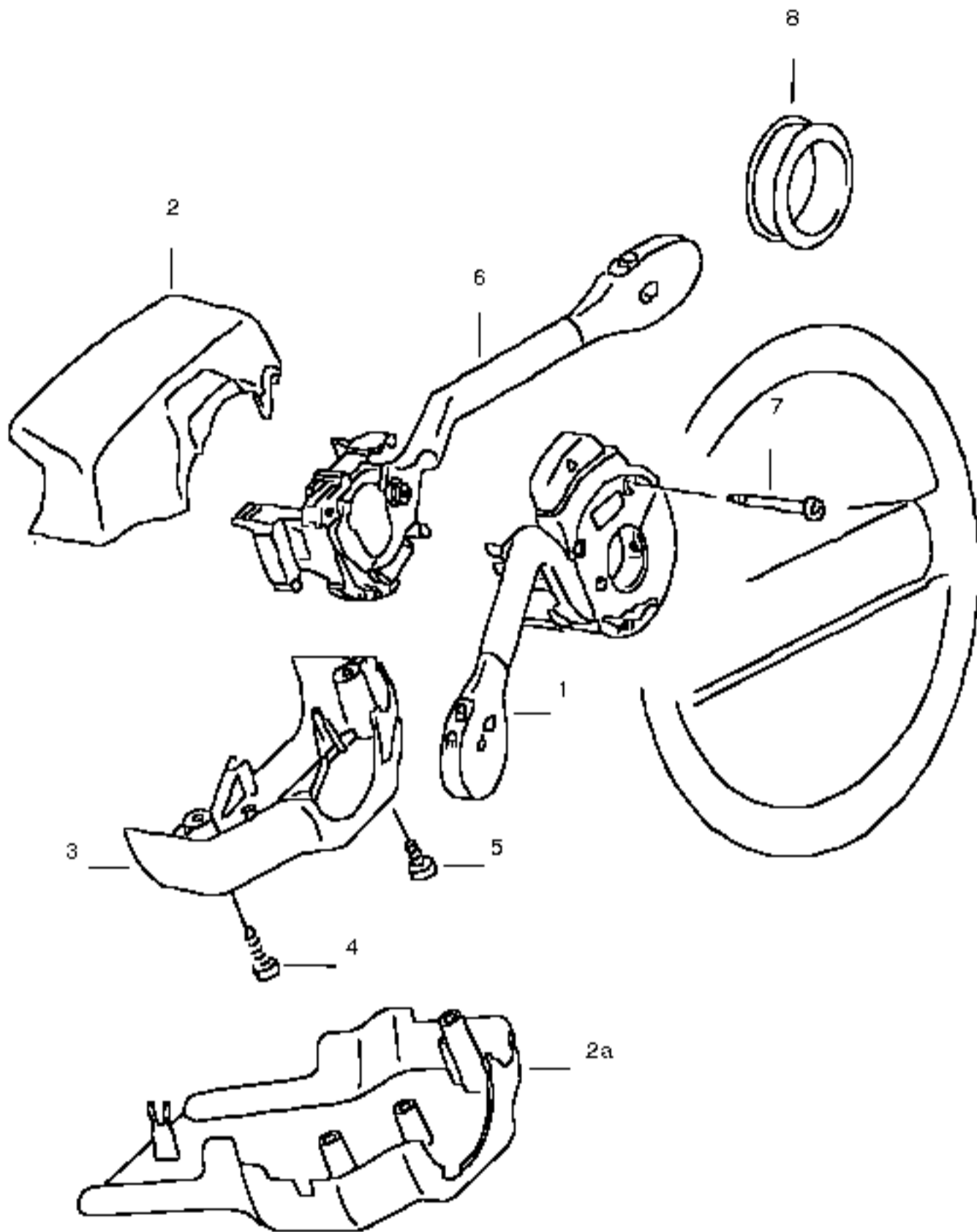
(21) 1H0959728
 switch glass sliding roof (passenger compartment)
 lighting: / green
 1H0959728 H50 grey blue
 1H0959728 5YX beige

(21) 7D0959728
 switch glass sliding roof (passenger compartment)
 lighting: / red
 7D0959728 Y20 pearl grey
 7D0959728 8YS light beige

22 7D0907049
 operating mechanism for vehicles with electronically regulated air condit.
 7D0907049 Q70 light beige
 7D0907049 Y20 pearl grey

23 7D0919158
 operating unit for vehicles with 2nd heat exchanger
 7D0919158 Q70 light beige
 7D0919158 Y20 pearl grey

(23) 7D0919158A
 operating unit for vehicles with 2nd heat exchanger
 and passenger comp. ventilation
 7D0919158A Q70 light beige
 7D0919158A Y20 pearl grey



switch for turn signals, main and dip beams, headlight flasher, wipers and wash-wipe operation

(1) 7D0953513B

switch for turn signals, main and dip beam, headlight flasher and parking light

7D0953513B 01C satin black

(1) 7D0953513C

switch for turn signals, main and dip beam, headlight flasher and parking light

for models with cruise control system

7D0953513C 01C satin black

(2) 7D1953515A

trim, upper part

7D1953515A 01C satin black

(2A) 7D1858559B

trim, lower part

7D1858559B 01C satin black

(2A) 7D1858559G

trim, lower part

7D1858559G 01C satin black

4 N 90349401

oval head panel screw / E3,9X16

5 N 0141228

fillister hd. bolt / M4X8

(6) 7D0953519B

switch for wipers/wash-wipe operation

regulating switch

7D0953519B 01C satin black

(6) 7D0953519C

switch for windshield wiper, wipers and washer and multi-function indicator operation with memory button

regulating switch

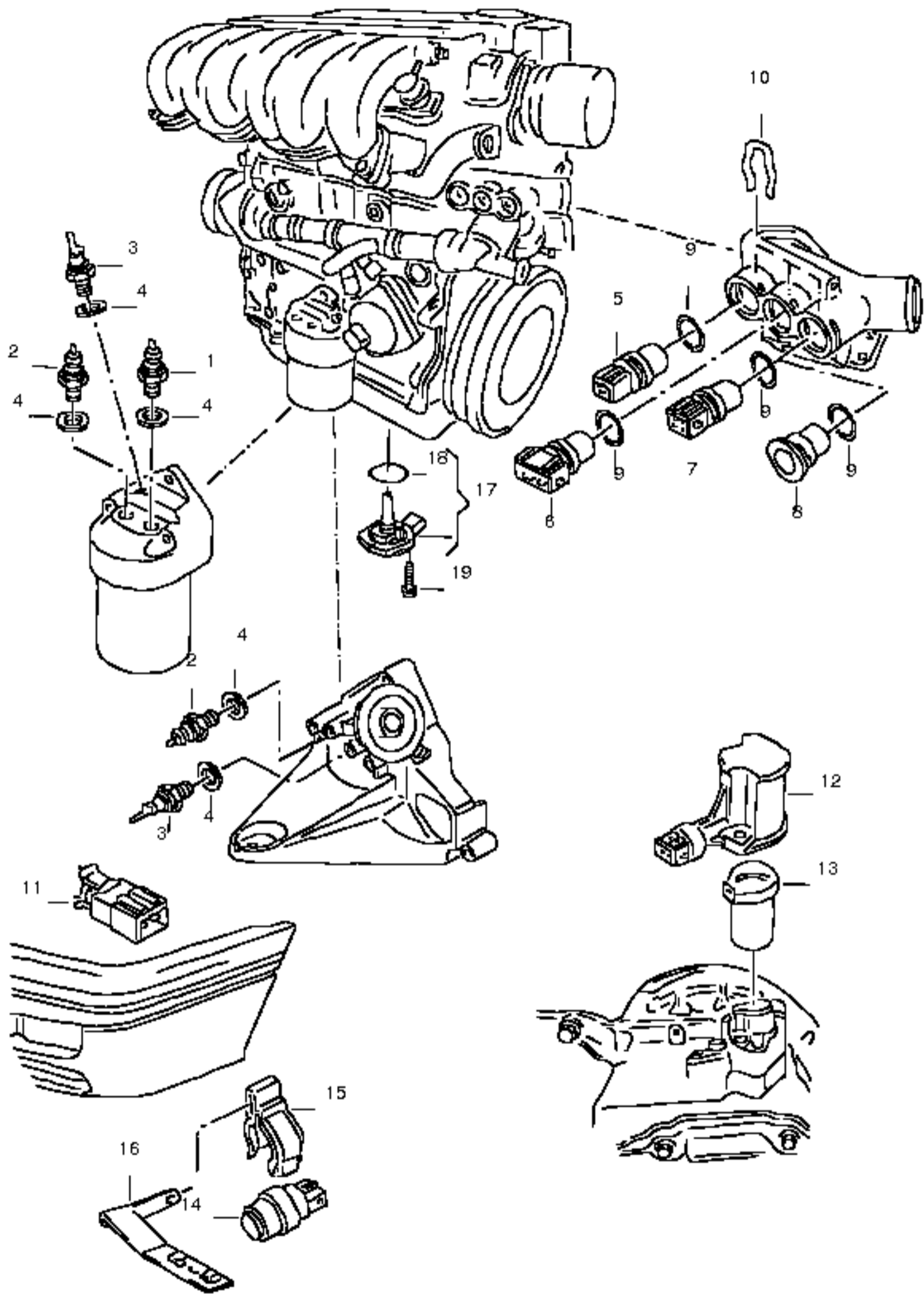
7D0953519C 01C satin black

7 321953573

fillister hd. bolt

8 7D0905390

grommet



switches and senders on engine and gearbox / 6 cylinder

1 028919081D

oil pressure switch / 0,25BAR M10X1

/ 1 pin

F >> 70-X-053 924 / blue

2 068919081

oil pressure switch / 1,4BAR M10X1

/ 1 pin

F >> 70-X-053 924 / black

(2) 06A919081D

oil pressure switch / 1,2-1,6BAR

/ 1 pin

F 70-X-053 925>> / black

3 1H0919563

oil temperature gauge sender

4 N 0138115

seal / A10X13,5

(5) 357919501A

temperature sender / 20MM

for coolant temperature gauge / 4 pin / black/yellow
and electronic control unit

F >> 70-X-053 924

(5) 059919501A

dual temperature sender / 4 pin / green

F 70-X-053 925>> / 20MM

(6) 021919369

thermal switch / 93/88C 20MM

for models with radiator fan run-on / 2 pin / blue/white

(6) 251919501D

temperature sender / 2 pin

for vehicles with electroni- cally regulated air condit. / green/black / 20MM

for vehicles with 2nd evaporator

7 701919369E

thermal switch / 105/112C 20MM

for switching off air conditioner / 106/102C / 4 pin

and/or / green

electric fan / 3 stages

8 357121140

plug

9 N 90316802

round seal / 19,6X3,6

10 032121142

retaining spring

17 1J0907660B

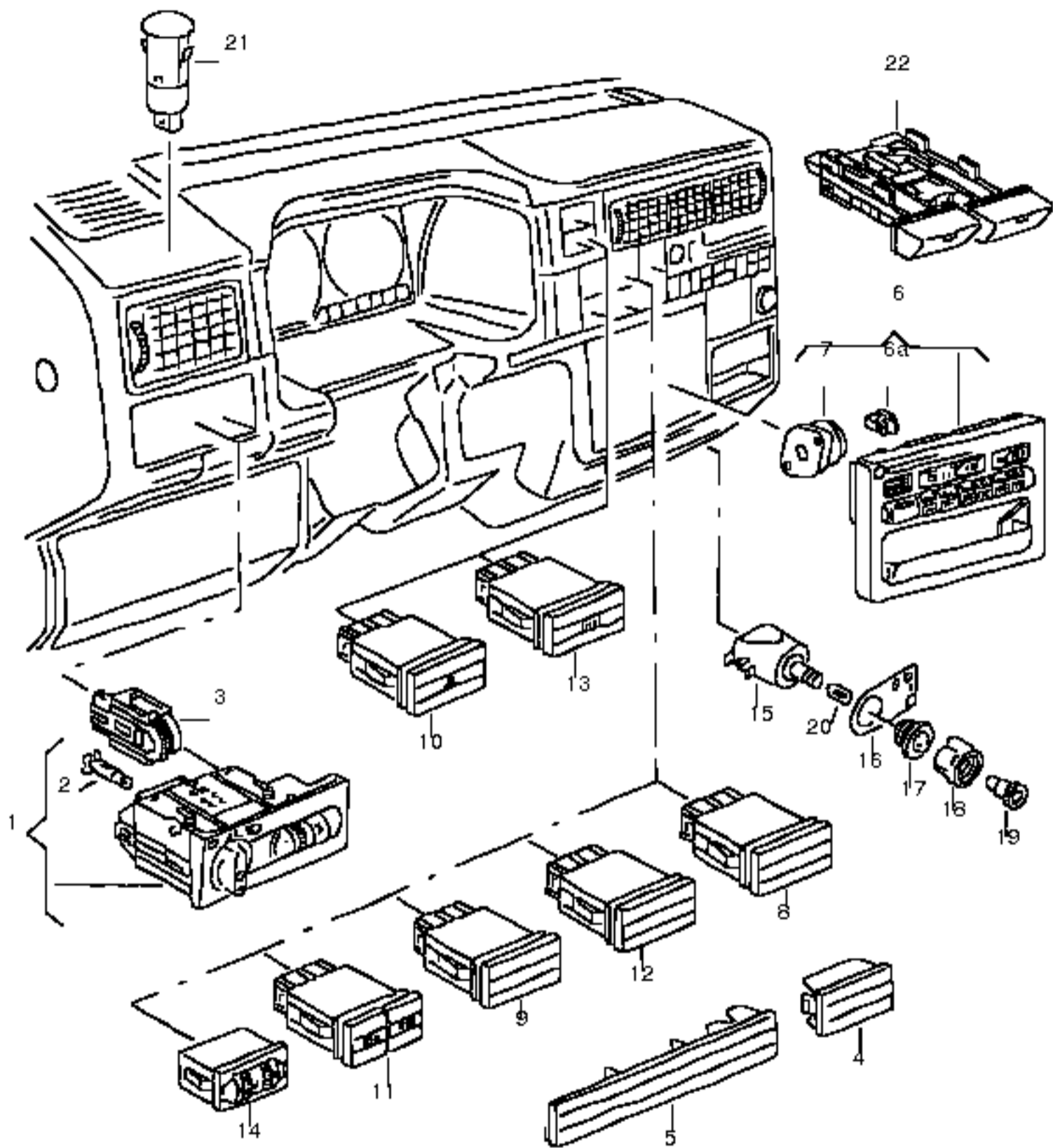
oil level sensor

18 038103196

seal

(19) N 10472001

hexagon socket head bolt with collar / M6X28



switches in dashboard

1 701941532E
multiple switch for side lights, headlights and rear fog light / lhd
for vehicles with electric beam range adjustment
lighting: / green

(1) 7D0941532E
multiple switch for side lights, headlights and rear fog light / lhd
for vehicles with electric beam range adjustment
lighting: / red

(1) 701941532F
multiple switch for side lights, headlights, front and rear fog lights / lhd
for vehicles with electric beam range adjustment
lighting: / green

(1) 7D0941532Q
multiple switch for side lights, headlights, front and rear fog lights / lhd
for vehicles with electric beam range adjustment
lighting: / red

(1) 701941532G
multiple switch for side lights, headlights and rear fog light / lhd / "S.", "SF.", / "N.", "DK."
for models with day driving headlights
for vehicles with electric beam range adjustment
lighting: / green

(1) 7D0941532G
multiple switch for side lights, headlights and rear fog light / lhd / "S.", "SF.", / "N.", "DK."
for models with day driving headlights
for vehicles with electric beam range adjustment
lighting: / red

(1) 701941532H
multiple switch for side lights, headlights, front and rear fog lights / lhd / "S.", "SF.", / "N.", "DK."
for models with day driving headlights
for vehicles with electric beam range adjustment
lighting: / green

(1) 7D0941532R
multiple switch for side lights, headlights, front and rear fog lights / lhd / "S.", "SF.", / "N.", "DK."
for models with day driving headlights
for vehicles with electric beam range adjustment
lighting: / red

(1) 702941532B
multiple switch for side lights, headlights and rear fog light / rhd
for models with dim-dip headlights
for vehicles with electric beam range adjustment
lighting: / green

(1) 7D2941532B
multiple switch for side lights, headlights and rear fog light / rhd
for models with dim-dip headlights
for vehicles with electric beam range adjustment
lighting: / red

(1) 702941532C
multiple switch for side lights, headlights, front and rear fog lights / rhd
for models with dim-dip headlights
for vehicles with electric beam range adjustment
lighting: / green

(1) 7D2941532E
multiple switch for side lights, headlights, front and rear fog lights / rhd
for models with dim-dip headlights
for vehicles with electric beam range adjustment
lighting: / red

(1) 701941531A
multiple switch for side lights, headlights and rear fog light / lhd
lighting: / green
701941531A 01C satin black

(1) 7D0941531C
multiple switch for side lights, headlights and rear fog light / lhd
lighting: / red
7D0941531C 01C satin black

(1) 701941531B
multiple switch for side lights, headlights, front and rear fog lights / lhd
lighting: / green
701941531B 01C satin black

(1) 7D0941531P
multiple switch for side lights, headlights, front and rear fog lights / lhd
lighting: / red
7D0941531P 01C satin black

(1) 701941531C
multiple switch for side lights, headlights and rear fog light / lhd / "S.", "SF.", / "N.", "DK."
for models with day driving headlights
lighting: / green
701941531C 01C satin black

(1) 7D0941531M
multiple switch for side lights, headlights and rear fog light / lhd / "S.", "SF.", / "N.", "DK."
for models with day driving headlights
lighting: / red
7D0941531M 01C satin black

(1) 701941531D
multiple switch for side lights, headlights, front and rear fog lights / lhd / "S.", "SF.", / "N.", "DK."
for models with day driving headlights
lighting: / green
701941531D 01C satin black

(1) 7D0941531AA
multiple switch for side lights, headlights, front and rear fog lights / lhd / "S.", "SF.", / "N.", "DK."
for models with day driving headlights
lighting: / red
7D0941531AA01C satin black

(1) 702941531
multiple switch for side lights, headlights and rear fog light / rhd
for models with dim-dip headlights
lighting: / green
702941531 01C satin black

(1) 7D2941531
multiple switch for side lights, headlights and rear fog light / rhd
for models with dim-dip headlights
lighting: / red
7D2941531 01C satin black

(1) 702941531A
multiple switch for side lights, headlights, front and rear fog lights / rhd
for models with dim-dip headlights
lighting: / green
702941531A 01C satin black

(1) 7D2941531D
multiple switch for side lights, headlights, front and rear fog lights / rhd
for models with dim-dip headlights
lighting: / red
7D2941531D 01C satin black

2 701919243
bulb holder with bulb

3 703941333
switch for headlight range control / lhd
lighting: / green

(3) 7D1941333
switch for headlight range control / lhd
lighting: / red

(3) 703941333A
switch for headlight range control / rhd
lighting: / green

(3) 7D2941333
switch for headlight range control / rhd
lighting: / red

4 3A0858179
blind cover / 28X46,5
3A0858179 01C satin black

(4) 7D0858179
blind cover / 26X44,4
7D0858179 01C satin black

5 3A0858180A
blind cover / 28X141,6
3A0858180A 01C satin black

(6) 7D0907047C
display and operating unit
for vehicles with electronically regulated air condit.
lighting: / green
7D0907047C 01C satin black

(6) 7D0907040
control unit for air condit.
lighting: / red/blue
7D0907040 01C satin black

6A 1H0919243
bulb holder with bulb
to be used for: / 7D0 907 047 B
/ 7D0 907 047 C

7 7D0907527A
electric fan motor
F >>> 70-X-080 000* / air condit.

8 703941435
switch for rotating emergency light
lighting: / green
703941435 01C satin black

(8) 7D0941435
switch for rotating emergency light
lighting: / red
7D0941435 01C satin black

9 703943327
switch for roof sign / red cross
lighting: / green
703943327 01C satin black

(9) 7D0943327
switch for roof sign / red cross
lighting: / red
7D0943327 01C satin black

(9) 703941530A
switch for roof sign / "TAXI" / TAXI
lighting: / green
703941530A 01C satin black

(9) 7D0941530
switch for roof sign / "TAXI" / TAXI
switch for inner light
lighting: / red 7D0941530 01C
satin black

10 703953235
emergency light switch
lighting: / green
703953235 01C satin black

(10) 6N0953235B
hazard warning light switch relay turn signal/emerg.light / 12V 4X21W
lighting: / red
for contact housing: / 1J0 971 971
6N0953235B 302 ember red

(10) 6N0953235C
hazard warning light switch relay turn signal/emerg.light / 12V 6X21W
for models with towing facility
lighting: / red
for contact housing: / 1J0 971 971
6N0953235C 302 ember red

(10) 7D0953235
emergency light switch
for models with roof mounted turn signal
for vehicles with tow bar and roof turn signal
lighting: / red
7D0953235 300 fire red

11 703959511
switch for fresh air duct to load and passenger compartment
lighting: / green
703959511 01C satin black

(11) 7D0959511A
switch for fresh air duct to load and passenger compartment
lighting: / red
7D0959511A 01C satin black

12 703959561B
switch for inner light / ambulance
lighting: / green
703959561B 01C satin black

(12) 7D0959561A
switch for inner light / ambulance
lighting: / red
7D0959561A 01C satin black

(13) 7D0959621A
switch for heated rear window
lighting: / red
7D0959621A 01C satin black

(13) 703959621
press button
for rear window glass heated
lighting: / green
703959621 01C satin black

(13) 7D0959621
press button
for rear window glass heated
lighting: / red
7D0959621 01C satin black

(13) 7D0927134
switch for electronic stabilisation program -esp-
lighting: / red
7D0927134 01C satin black

14 3A0963563
switch for seat heating
lighting: / green
3A0963563 01C satin black

(14) 7D0963563
switch for seat heating (driver and passenger side)
lighting: / red
7D0963563 01C satin black

15 211951275A
alarm switch, push- pull, rotary

(15) 211951275C
alarm switch, push- pull, rotary / fire brigade

16 191951279
sticker for switch operation

(16) 701857249
switch bracket / PR-9J1
701857249 01C satin black

(16) 701857249A
switch bracket / PR-9J3
701857249A 01C satin black

17 111941515D
collar / M14X1

18 211951297
knob

19 211951299
window / orange

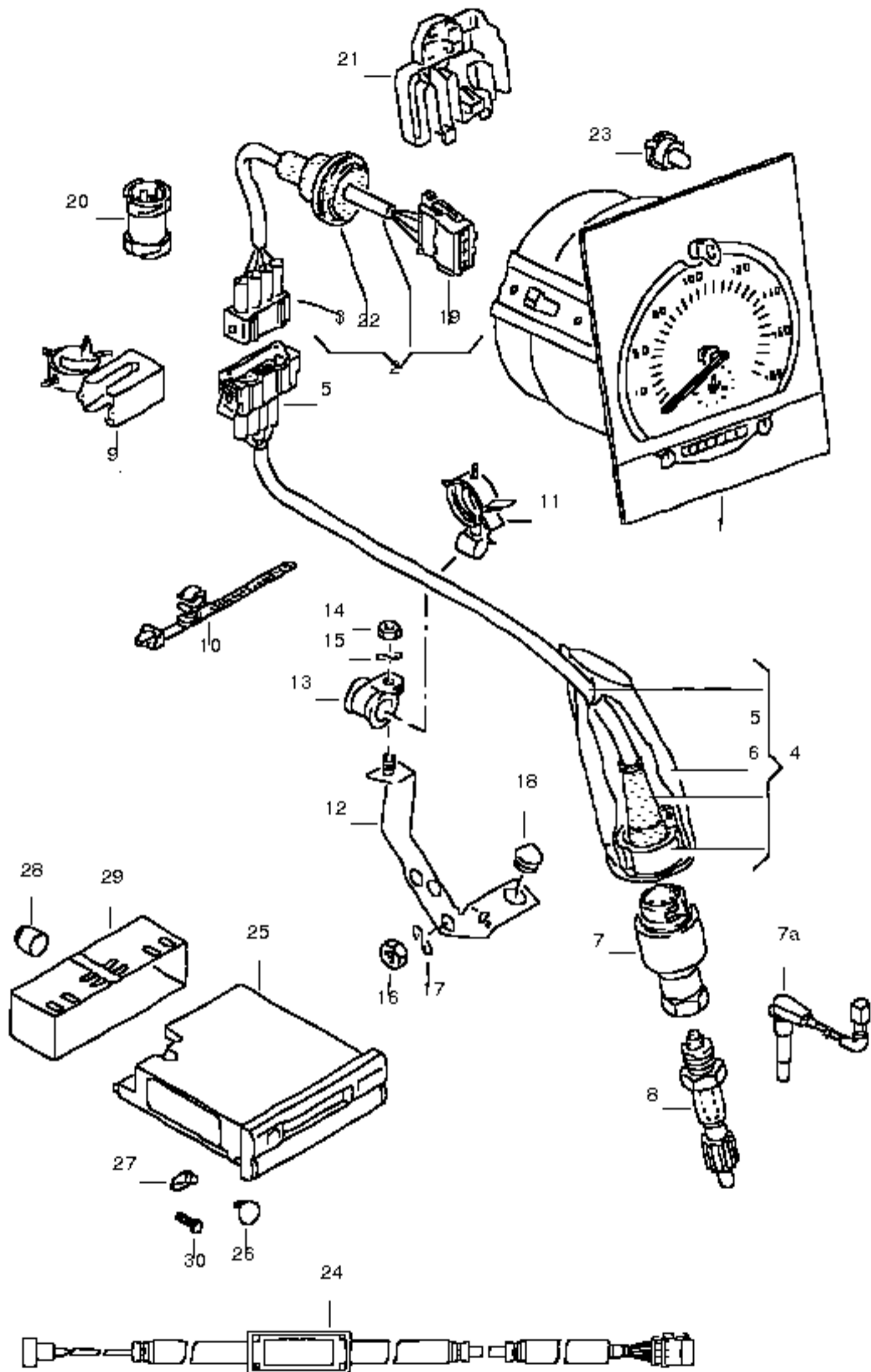
20 N 0177512
bulb / W5/1,2W12V1,2W

21 7D0907539A
sun sensor

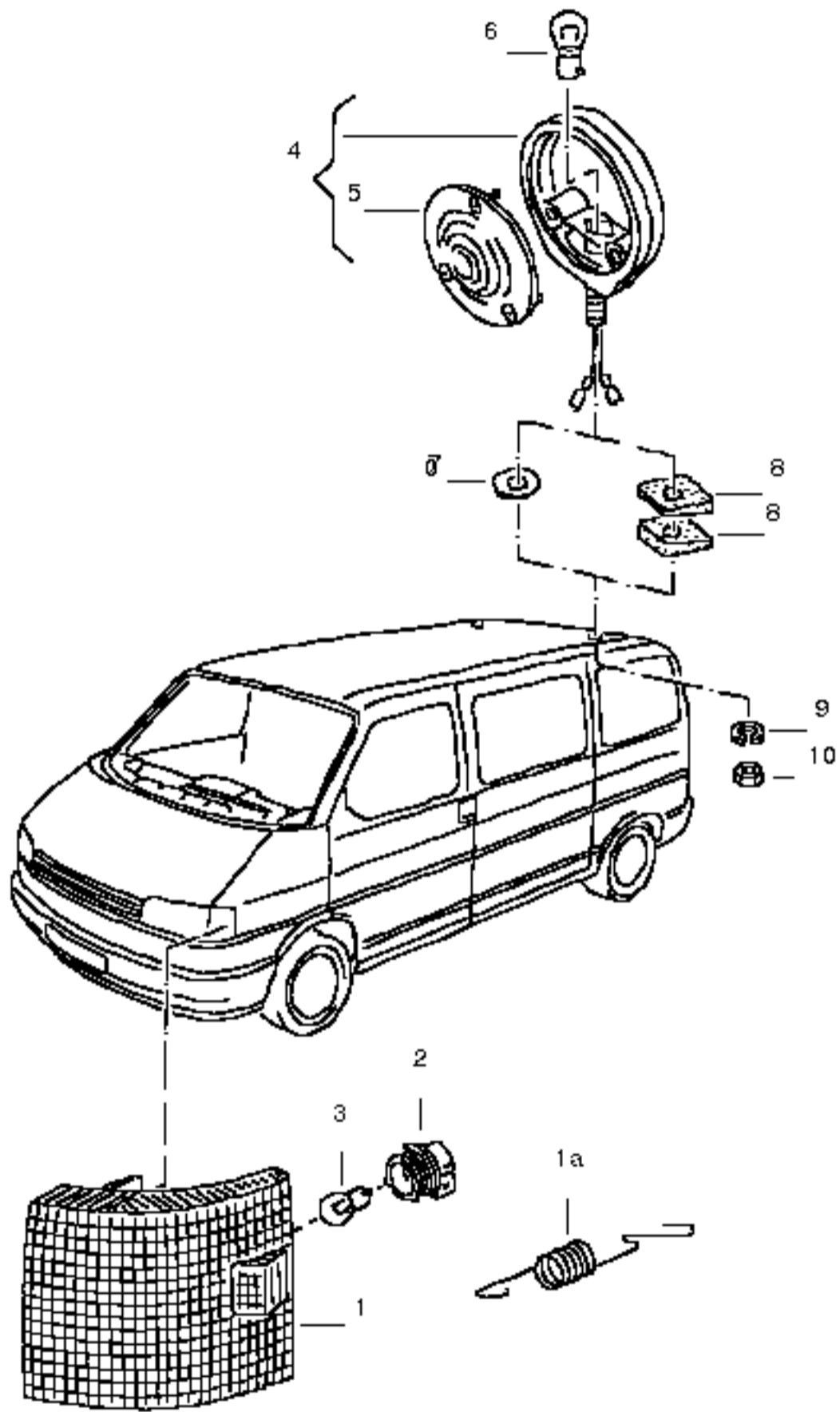
(22) 3A0959543
switch for air conditioner
F >>> 70-X-080 000*
3A0959543 01C satin black

(22) 7D0959511
switch for fresh or recirculated air selection
F >>> 70-X-080 000*
7D0959511 01C satin black

switch for fresh or recirculated air selection
F 70-X-080 001>>>*
** not exchangeable **
see illustration: / 819-41



- tachograph
tachograph
distance sensor
F >> 70-X-200 000
(
1) 7D0957039B
tachograph with emergency trip display / 160KMH KIENZLE
lighting: / green
7D0957039B 01C satin black
- (1) 7D0957039E
tachograph with emergency trip display / 160KMH KIENZLE
electronic
lighting: / white
7D0957039E 01C satin black
- (1) 7D0957041
tachograph / 180KMH/110MPH / KIENZLE
lighting: / green
7D0957041 01C satin black
- (1) 7D0957041A
tachograph / 180KMH/110MPH electronic / KIENZLE
lighting: / white
7D0957041A 01C satin black
- (2) 7D1971555E
tachograph wiring harness / lhd
- (2) 7D2971555C
tachograph wiring harness / RLKG
- (4) 7D0971555
tachograph wiring harness
- 7 701919149
distance sensor / KIENZLE
speedometer pinion
see illustration: / 409-..
- 9 701957845
retainer, swivelling with cap for seal / 24MM
- 10 443957818C
cable tie / 7X273-8
wiring harness
brake hose
water hose
- (12) N 90670601
clip / D13X19,8X14,8 / AJT
- 12 701957831B
retainer
- (12) 701957831C
retainer / 4 cylinder
4 speed automatic gearbox
- (12) 701957831G
retainer / 5-cylinder
4 speed automatic gearbox
- 13 N 0206201
pipe clip / D1-13X15
- 14 N 0110088
hexagonal nut / M8
- 15 N 0122283
spring washer / B8X17X0,8
- 16 N 01100624
hexagonal nut / M6
- 17 211805243
spring washer / 6,4X17
- 18 N 0200251
plug / A12X1
- 19 281957897E
flat connector housing / 8 pin
- 20 2D0972975
clutch / 4 pin
- 21 2D0957810A
cap
- (21) 701957811
cap
- (22) 3A0971913A
grommet / 35/10,5
- 23 4A0919040C
bulb / 12V1,1W
tachograph
distance sensor
converter
F 70-Y-000 001>> 70-Y-200 000
- (1) 7D0957039J
tachograph with emergency trip display / 160KM/H / KIENZLE
7D0957039J 01C satin black
- (1) 7D0957041B
tachograph / 180KM/H/110MPH electronic / KIENZLE
7D0957041B 01C satin black
- (7) 357919149
distance sensor / 3 pin
- 23 4A0919040C
bulb / 12V1,1W
- 24 7D0957123
converter
tachograph
distance sensor
F 70-1-000 001>>
- (4) 7D0971176C
tachograph wiring harness
- (5) 4B0973812
flat connector housing with additional contact catch / 4 pin
- 1E0971921
angled protective cap
- (6) 7D0971461C
heat deflector
- (7) 7D0919149D
distance sensor
- (25) 7D0957039N
tachograph / 180KM/H
7D0957039N 01C satin black
- (25) 7D0957039P
tachograph with emergency trip display / 180KM/H
7D0957039P 01C satin black
- 26 701957811
cap
- 27 7D0957812
cap
- 28 7D0957343
stop buffer
- 29 7D0957787
retaining frame
- 30 7D0957824
flat round head bolt / M2,5X6,0



turn signal
turn signal / front

1 701953049
turn signal / yellow, left / PR-AC0

(1) 7D0953041F
turn signal / white, left / PR-AC1

(1) 701953050
turn signal / yellow, right / PR-AC0

(1) 7D0953042F
turn signal / white, right / PR-AC1

1A 2D0953575
retaining spring / PR-AC1 for turn signal: / white

2 701953123
socket for bulb / PR-AC0 for turn signal: / yellow

(2) 1H0953123F
socket for bulb / PR-AC1 for turn signal: / white

3 N 0177322
bulb / P21W12V21W / PR-AC0

(3) N 10256401
bulb, yellow glass / PY21W / PR-AC1

4 281953351
roof turn signal

5 281953357
window / yellow

(5) N 01396626
oval head panel screw / 4,2X13STC

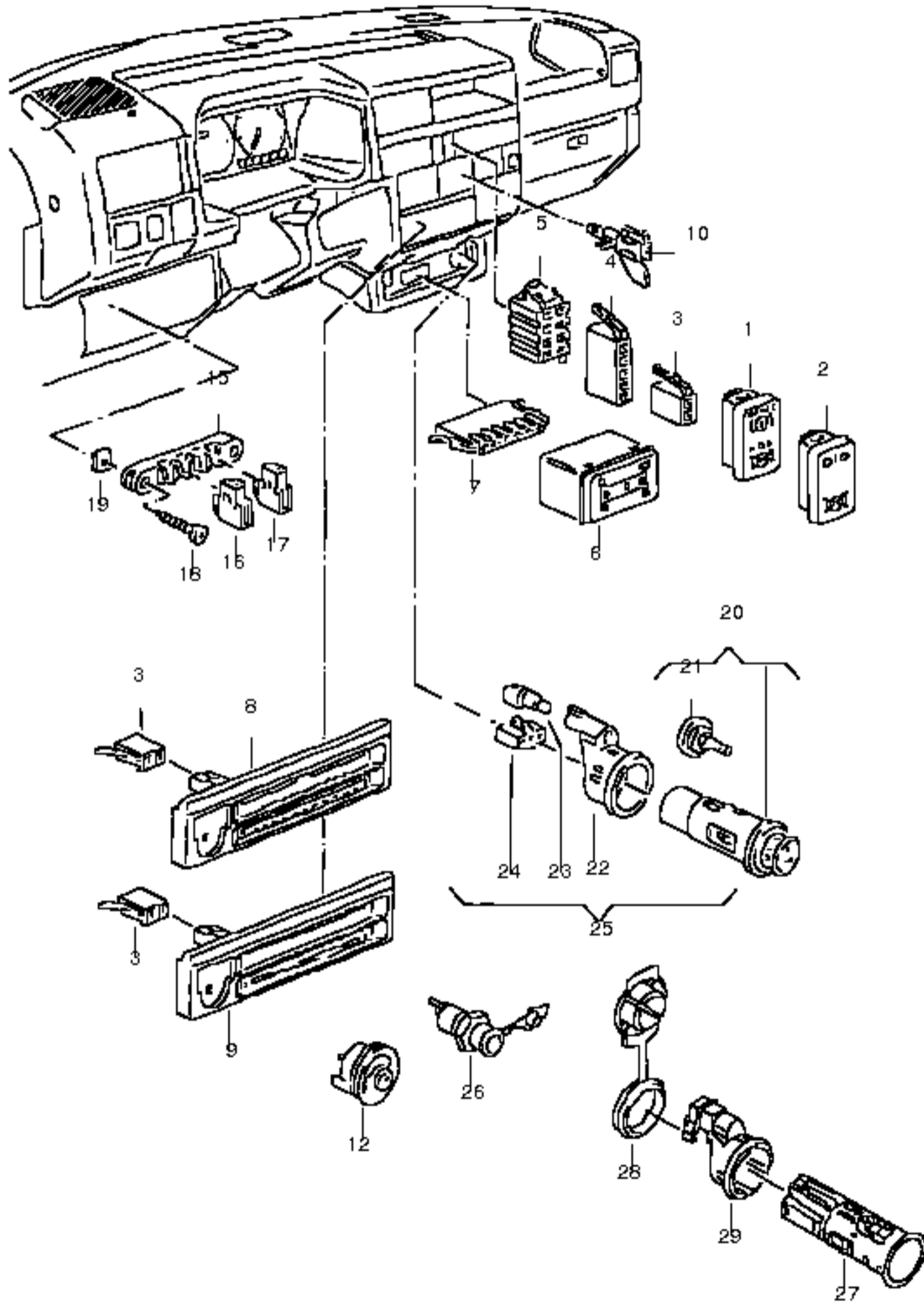
6 N 0177322
bulb / P21W12V21W

7 111857779
gasket / 28X10,4X1,5

8 281953355A
base for high roof

9 N 0120113
spring ring / A10

10 N 0110115
hexagonal nut / M10X1



warning lights
 air cleaner service indicator
 diagnose connector strip
 cigarette lighter
 electric socket
 F >> 70-XH051 759
 F >> 70-XX053 082 / lhd
 F >> 70-XX067 239 / rhd

(1) 3A0919235C
 warning lamp for trailer operation
 3A0919235C 01C satin black

(1) 7D0919235AH
 warning lamp for airbag with/without trailer hitch

(1) 7D0919235L
 warning lamp for anti-lock brake system (abs) with/ without trailer towing
 7D0919235L 01C satin black

(1) 7D0919235AC
 warning lamp for airbag and anti-lock brake system (abs)
 with/without trailer towing

(1) 7D0919235AD
 warning lamp for anti-locking brake system and seat belt / "J.." and airbag
 7D0919235AD01C satin black

(1) 7D0919235Q
 warning lamp for anti-locking brake system and seat belt / "J.." and airbag
 7D0919235Q 01C satin black

(1) 3A0919235E
 warning lamp for dual circuit brakes and handbrake / "AUS"
 3A0919235E 01C satin black

(1) 7D0919235AF
 warning lamp for dual circuit brakes and handbrake / "AUS" and ABS and airbag
 7D0919235AF01C satin black

(1) 7D0919235S
 warning lamp for dual circuit brakes and handbrake / "AUS" and ABS
 7D0919235S 01C satin black

(2) 701919271
 gear indicator / automatic

(3) 1J0972702
 flat contact housing / 2 pin

(4) 535972706
 flat contact housing / 6 pin

6 701919621
 warning lamp for differential lock / 6 pin
 lighting: / green

7 191972706
 flat contact housing / 6 pin

(12) 701919301B
 air cleaner service indicator / 5-,6-cyl.
 701919301B 01C satin black

(12) 701919301C
 air cleaner service indicator / 4 cylinder
 701919301C 01C satin black

(15) 3A0972559
 diagnose connector strip

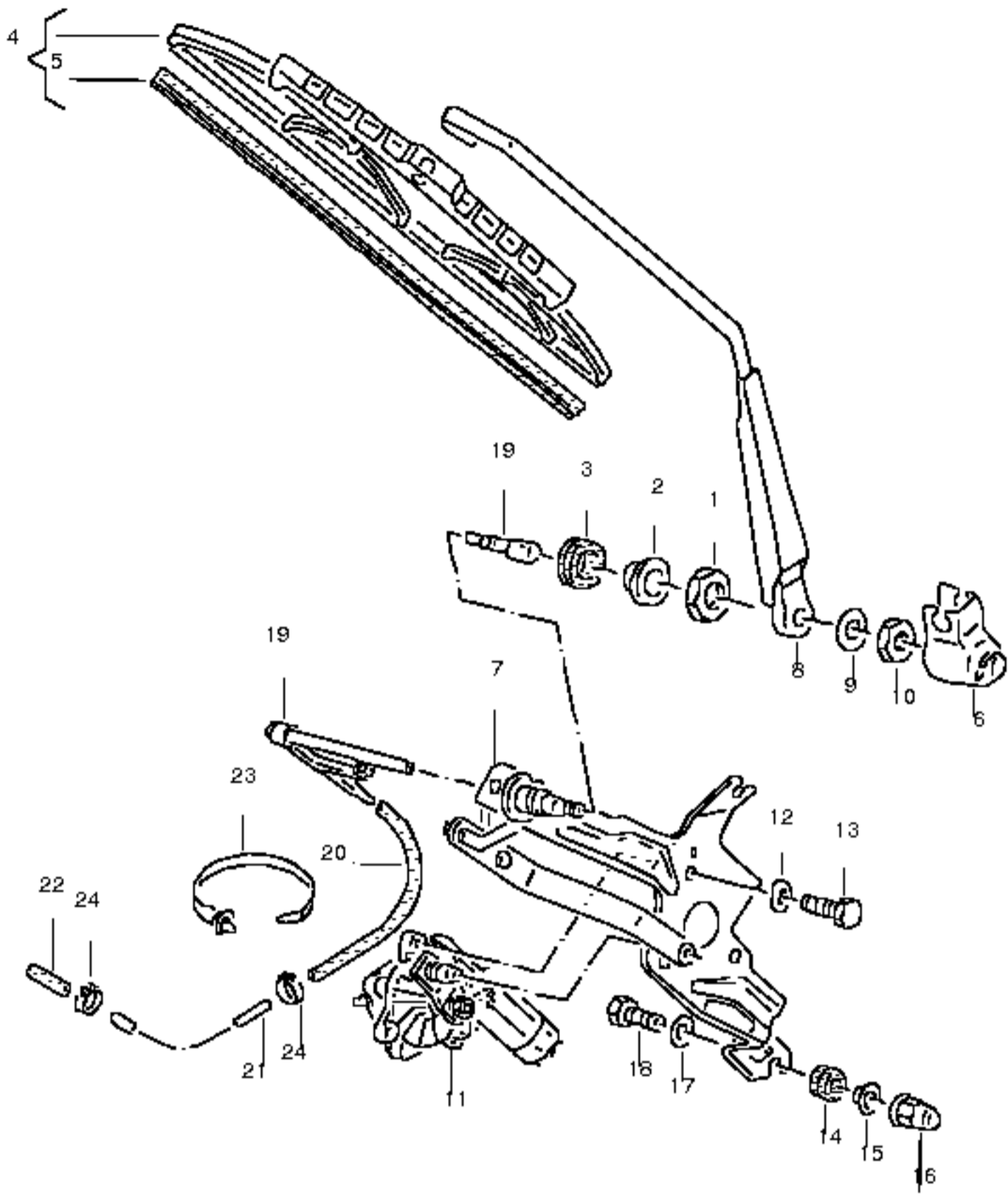
(20) 1J0919307
 cigarette lighter / SCHOELLER
 use if required: / 1J0 919 309
 1J0919307 9B9 satin black

(20) 1J0919309
 electric socket / SCHOELLER
 use if required: / 1J0 919 307
 / (9B9)

(22) 1E0919341B
 spring sleeve / SCHOELLER
 / green

24 191919321
 flat contact housing / 3 pin

26 3B0925071
 electric socket / rear



wash and wipe system for rear window
tailgate/boot lid panel

1 7D0955243
hexagonal nut / M16X1

2 701955251
spacer bush

(3) N 90465501
grommet / 20,5X24,2X1,8

4 161955427
wiper blade with wear indicator / 400MM VALEO

5 895955429A
wiper blade rubber / 550MM
shorten to: / 400MM

6 3A0955435
cap for wiper arm

7 701955702B
wiper shaft with linkage

8 701955707
wiper arm

9 N 01155811
washer / 8,4X15X1,6

10 N 0111513
hexagonal nut / M8

11 701955713A
wiper motor

(12) N 01152423
washer / A6,4X12,5X1,6

13 N 01021527
hexagonal head bolt / M6X15

14 701955754
grommet / 14X9,5

15 701955756
bush

(16) N 90263102
rivetted cap nut / M6/0,7-3-ET

17 N 0116735
washer / B5,5X18X1,6

(18) N 01021710
hexagonal head bolt / M6X20

19 701955985A
spraying jet with pipe

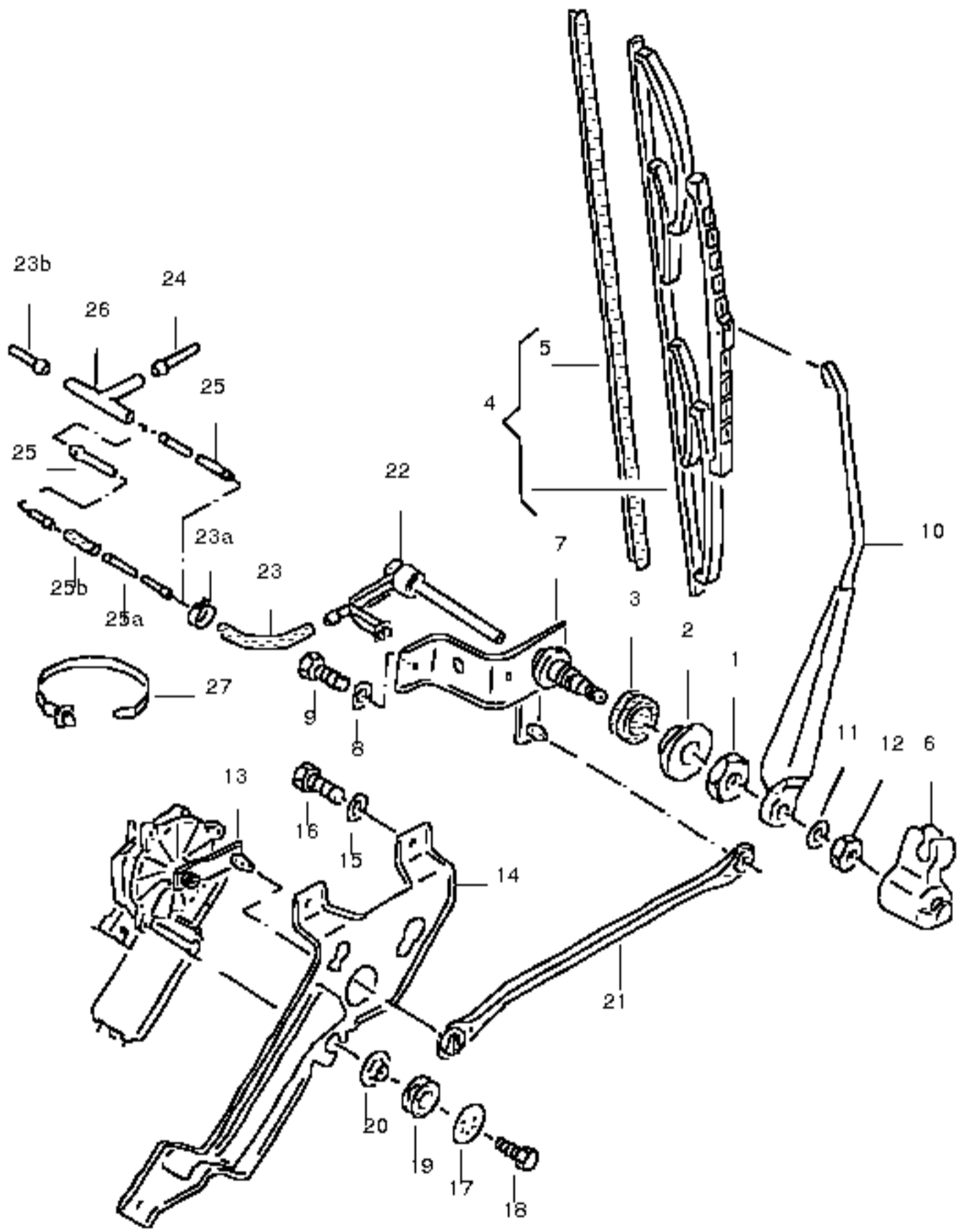
- 2D0955962
hose / 3,8X2,1X1300MM
shorten to: / 415MM / PR-ACO

- 1J0955751D
corrugated pipe / 6X0,75X10000MM
shorten to: / 5195MM / PR-ACO
shorten to: / 5975MM / PR-AC1

- 2D0955962
hose / 3,8X2,1X1300MM
shorten to: / 150MM

23 N 90666101
cable tie / 4,5X200

24 N 0243992
pipe clip / A7X8



wash and wipe system for rear window
wing doors

1 7D0955243
hexagonal nut / M16X1

2 701955251
spacer bush

(3) N 90465501
grommet / 20,5X24,2X1,8

4 161955427
wiper blade with wear indicator / 400MM VALEO

5 895955429A
wiper blade rubber / 550MM
shorten to: / 450MM

6 3A0955435
cap for wiper arm

7 701955702
wiper shaft with linkage / left

(7) 701955702A
wiper shaft with linkage / right

(8) N 01152423
washer / A6,4X12,5X1,6

9 N 0102085
hexagonal head bolt / M6X8

10 701955707A
wiper arm / left

(10) 701955708
wiper arm / right

11 N 01155811
washer / 8,4X15X1,6

12 N 0111513
hexagonal nut / M8

13 701955713C
wiper motor

14 701955717B
bracket for wiper motor / left

(14) 701955718A
bracket for wiper motor / right

(15) N 01152423
washer / A6,4X12,5X1,6

16 N 0102085
hexagonal head bolt / M6X8

17 331955753
spring washer

18 N 01021527
hexagonal head bolt / M6X15

19 331955754
grommet / 13/9

20 331955756
bush

21 701955801
operating linkage

22 701955985
spraying jet with pipe / left

(22) 701955985A
spraying jet with pipe / right

- 2D0955962
hose / 3,8X2,1X1300MM
shorten to: / 415MM / PR-ACO

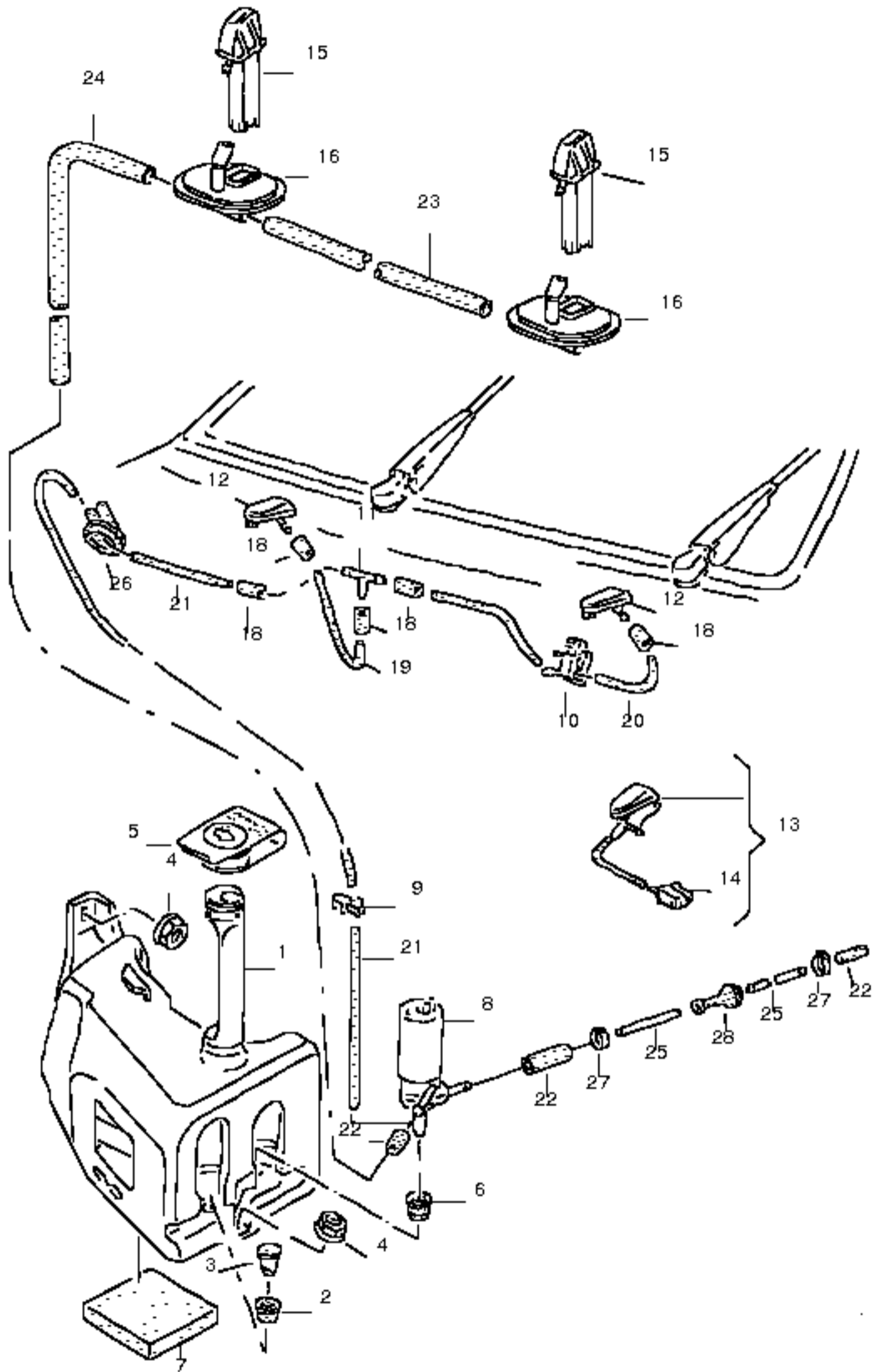
23A N 0243992
pipe clip / A7X8

- 1J0955751D
corrugated pipe / 6X0,75X10000MM
shorten to: / 5195MM / PR-ACO
shorten to: / 5975MM / PR-AC1
shorten to: / 1510MM
/ right
shorten to: / 2570MM
/ left
shorten to: / 730MM
/ left

- 2D0955962
hose / 3,8X2,1X1300MM
shorten to: / 150MM
/ right

26 6X0955975
t-piece

27 N 90666101
cable tie / 4,5X200



windscreen washer unit

(1) 701955453B
fluid container

1 701955453C
fluid container
for vehicles with headlight washer system

2 431955465A
gasket

3 444955647
plug

4 171201969
hexagon nut, shouldered / 5

5 8D0955455
locking cover / 54MM

6 443955465
gasket / 12X6,5

7 867955499
base

8 1H6955651
pump
for vehicles with wipe-wash system for rear window
also use: / 357 972 752
/ 357 972 741 A

- 357972752
flat contact housing / 2 pin

- 357972741A
single wiring seal / 5,6X7,8
/ red
for wire cross section: / 1,5

(8) 1H5955651
pump

9 1H0955747
bracket for hose

10 7D0955747A
bracket for hose

11 211955975
t-piece / PR-AC0

12 191955985A
spraying jet / PR-AC0

13 191955986A
heated spraying jet / PR-AC0

14 161971989C
flat terminal pin housing / 2 pin / PR-AC0

15 7D1955985A
spraying jet

(15) 7D1955986A
heated spraying jet

(16) 7D1955997
grommet / left
only for: / 7D1 955 985 A
/ 7D1 955 986 A

18 443955665
connecting hose / 4X30 / PR-AC0

- N 0203011
hose in coils of 10m 'order unit 10' / 4X1

shorten to: / 105MM / PR-AC0
shorten to: / 630MM / PR-AC0
shorten to: / 1725MM / PR-AC0

- 2D0955962
hose / 3,8X2,1X1300MM
shorten to: / 40MM

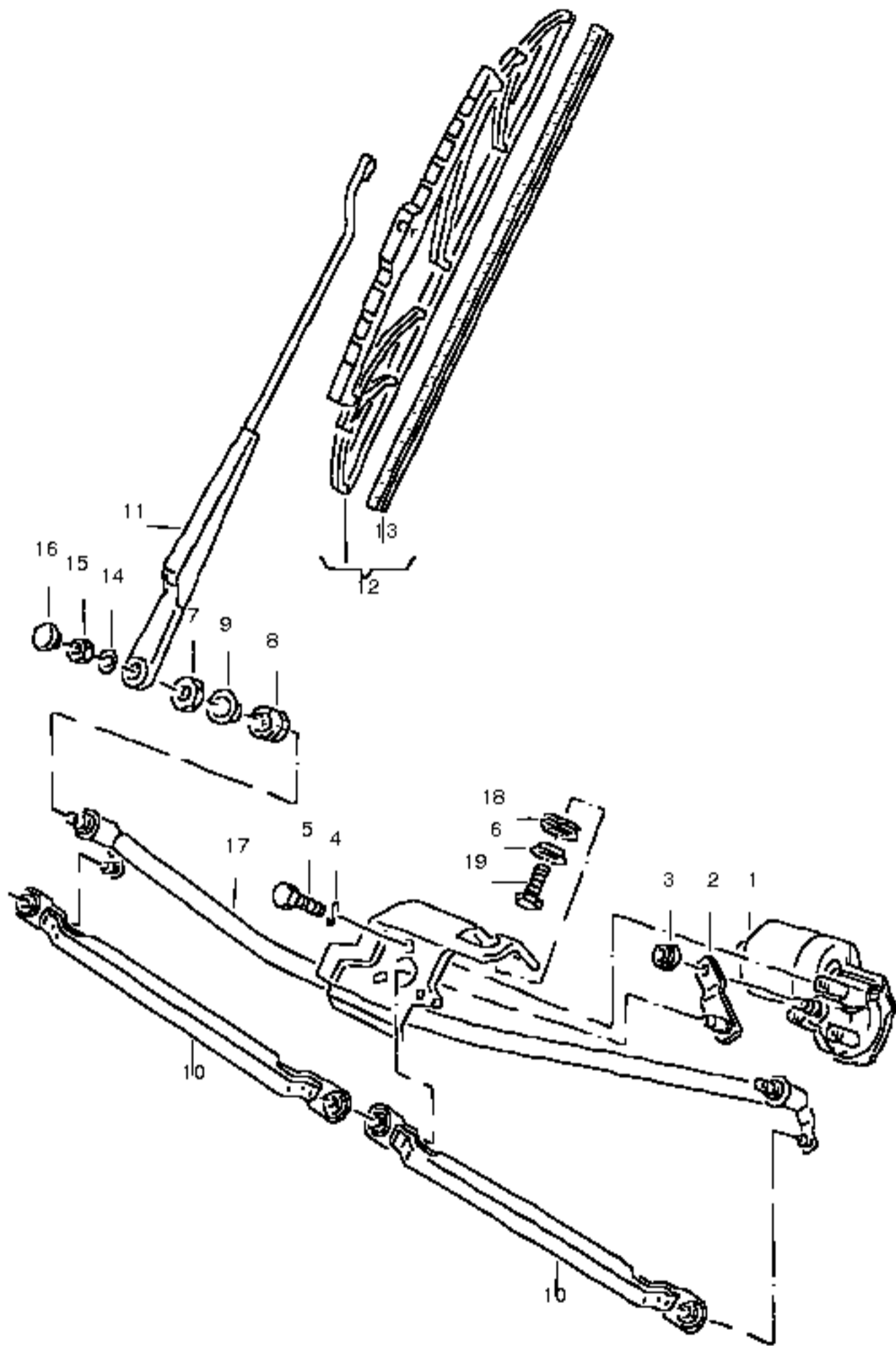
- 1J0955751D
corrugated pipe / 6X0,75X10000MM
shorten to: / 580MM / PR-AC1
shorten to: / 1630MM / PR-AC1
shorten to: / 5195MM / PR-AC0
shorten to: / 5975MM / PR-AC1

26 1J0955998C
grommet / 36X25/5,5/3 / PR-AC0

27 N 0243992
pipe clip / A7X8

28 171611751
grommet / 15X4

- 06A133382K
joint pipe / 4X6



windshield wiper

(1) 1C0955119
wiper motor

2 701955121
crank arm

3 N 90183802
hexagon nut, shouldered / M8

4 N 0122265
spring washer / B6X12X0,5

(5) N 01021226
hexagonal head bolt / M6X12

6 701955123
spacer bush

7 7D0955243
hexagonal nut / M16X1

(8) N 90465501
grommet / 20,5X24,2X1,8

9 867955251
spacer ring

10 701955325
operating linkage

(11) 701955409A
wiper arm / left lhd

(11) 702955409A
wiper arm / left rhd

(11) 701955410A
wiper arm / right lhd

(11) 702955410A
wiper arm / right rhd

12 357955425C
wiper blade
(passenger side)

(12) 357955425D
wiper blade with air vanes
(drivers side)

(12) 357998003
1 set: wiper blades with wear indicator / VALEO

13 895955429A
wiper blade rubber / 550MM

(13) 1J0955429A
1 set wiper blade rubber / 600MM VALEO
contents of package: / 2

14 N 01155811
washer / 8,4X15X1,6

15 N 0111513
hexagonal nut / M8

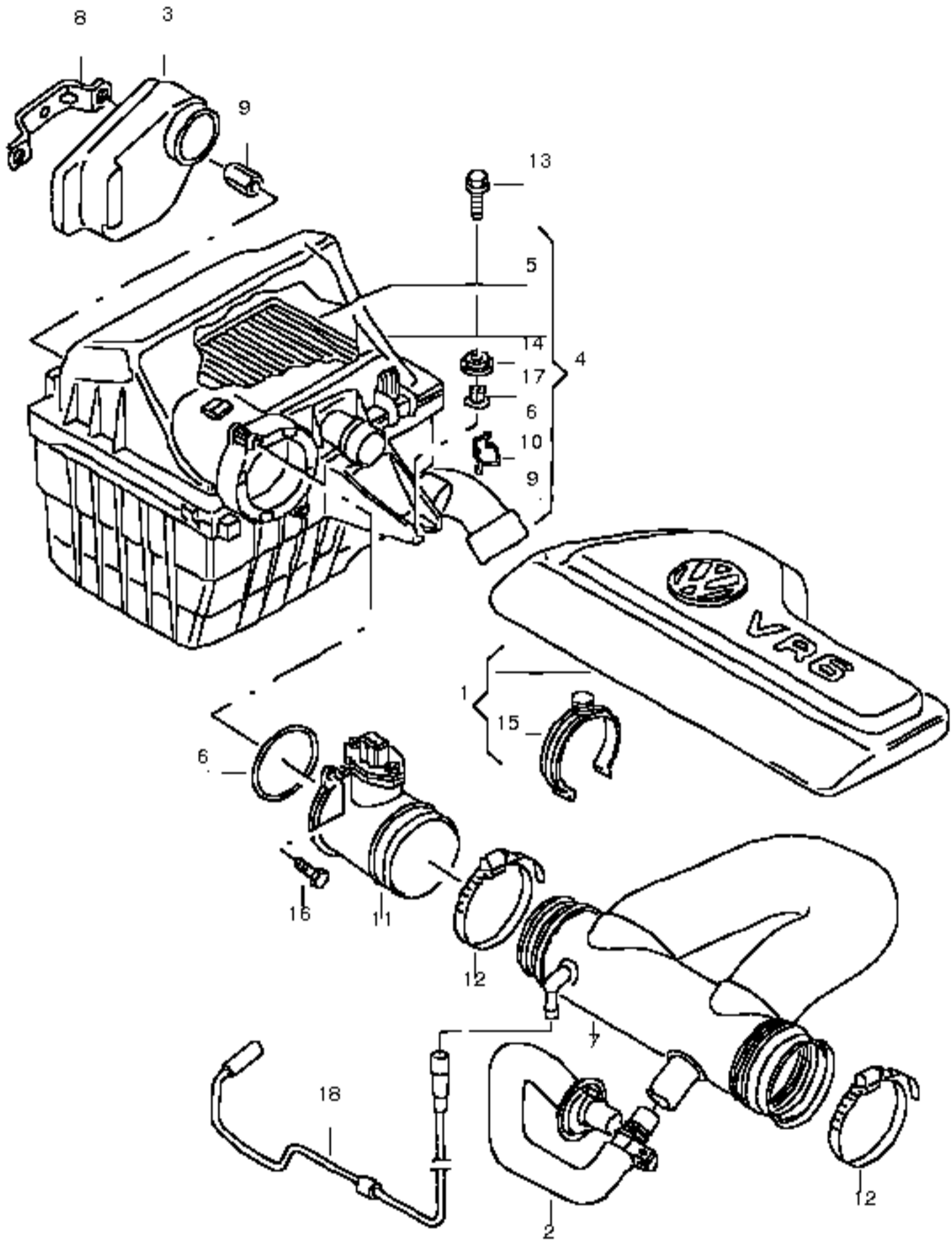
16 1J0955205A
cap
1J0955205A 01C satin black

17 701955603
base, windshield wiper / lhd

(17) 702955603A
base, windshield wiper / rhd

18 701955641
grommet

19 N 0197002
hexagon head bolt c/w shoulder / M8X30



air cleaner with connecting parts / 2.8ltr. / 6 cylinder
air cleaner with connecting parts / 2.8ltr. / AES,AMV

(1) 021128625A
cleaner cover

(2) 021129101D
pressure regulating valve

3 701129562B
damper

4 021129607P
air cleaner / AES

(4) 022129607AD
air cleaner / AMV
use if required: / 1J0 131 510

(4) 021129607Q
air cleaner / AES
for dusty regions

(4) 022129607AF
air cleaner / AMV
for dusty regions

(4) 021129607R
air cleaner / AES
for vehicle use in cold climates

(4) 022129607AE
air cleaner / AMV
for vehicle use in cold climates

use if required: / 1J0 131 510

5 074129620
air cleaner element / KNECHT

(5) 074129620A
air cleaner element / KNECHT
for dusty regions

6 357129625
round seal / 79X6

7 021129627E
intake hose / AES

(7) 022129627C
intake hose / AMV

8 701129673B
bracket for damper

9 701129764
stop buffer

10 1H0129797
sealing clip / KNECHT

11 021906462A
air volume meter / AES

(11) 021906462AX
air volume meter / AES

(11) 071906461B
air volume meter / AMV

(11) 071906461BX
air volume meter / AMV

12 N 0245083
pipe clip / LA80-100

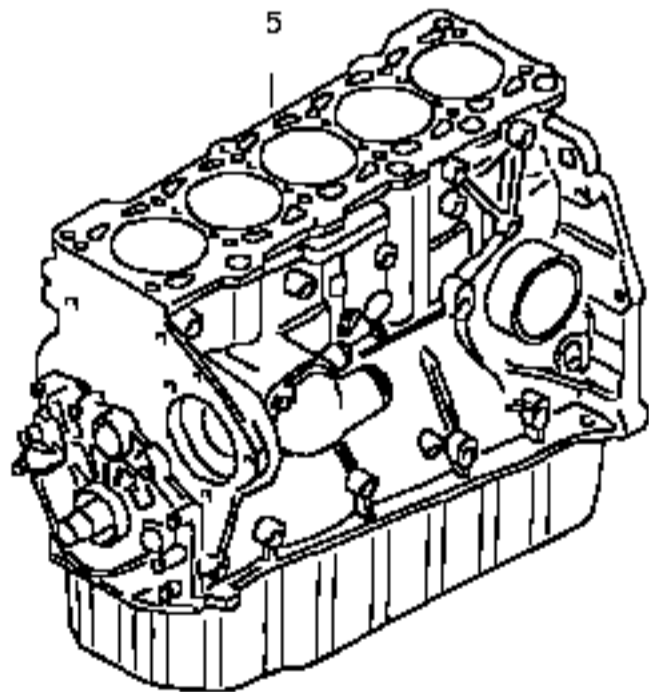
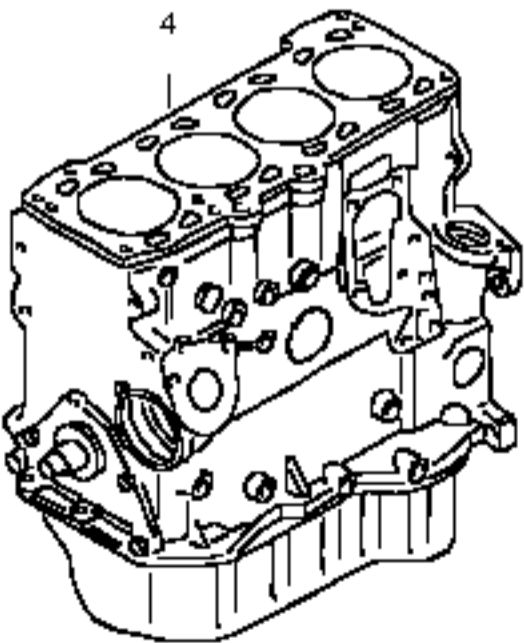
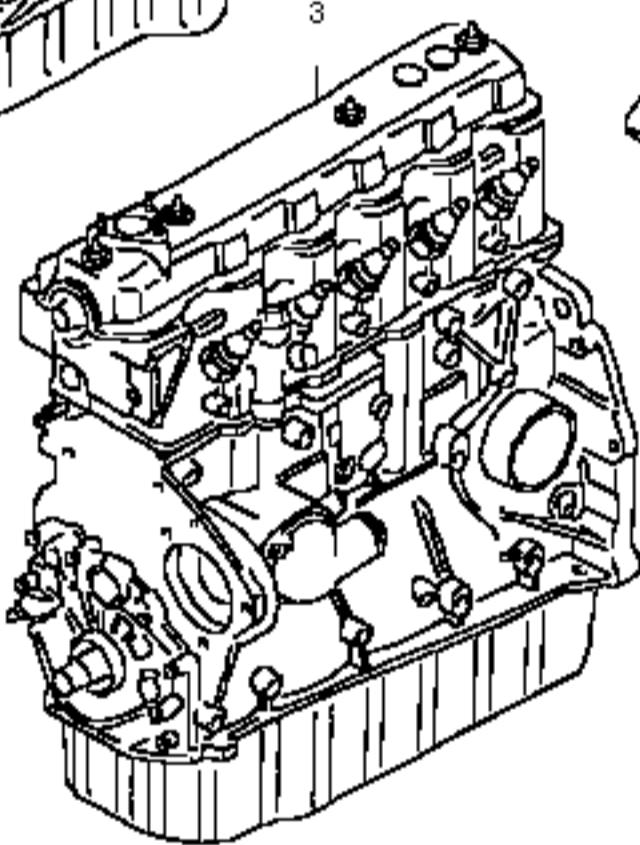
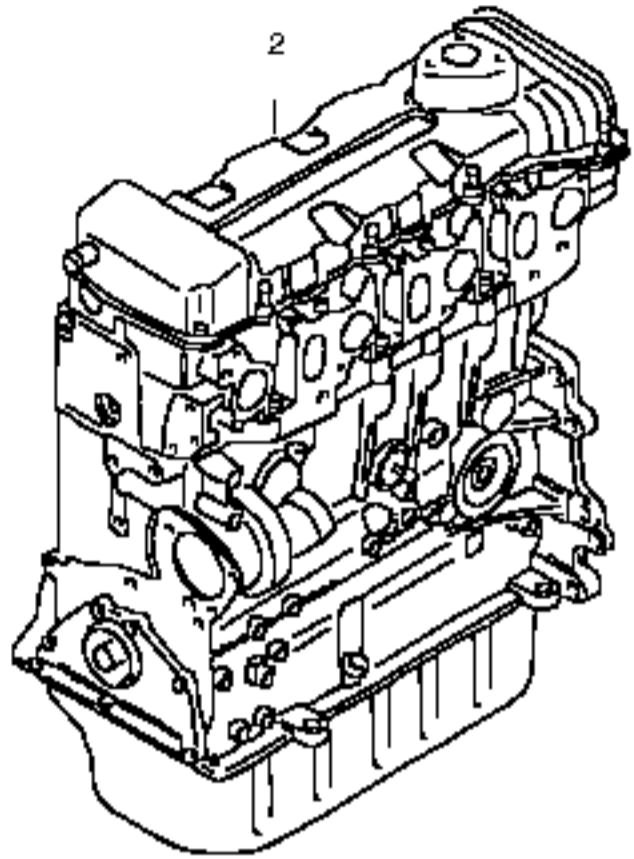
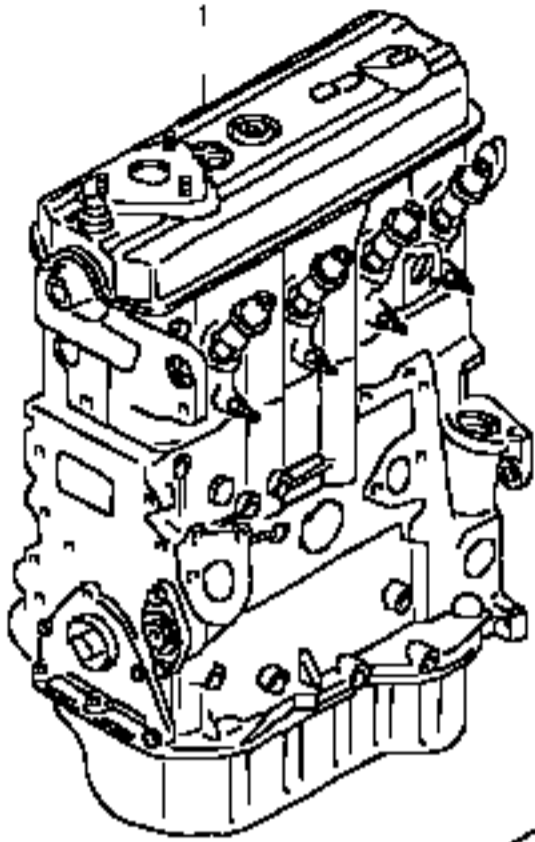
13 N 10128103
hexagonal head bolt / M8X30

14 N 90947901
grommet / 29,3X11
no longer available

(16) N 10419701
oval head panel screw / 6X22

17 N 90947801
tubular rivet / 10,8MM

- 022133264
hose / AMV



base engine

(1) 028100035B

base engine / 50KW / ABL / 1.9ltr.

also use: / 028 105 263 D

(1) 028100090EX

base engine / 50KW / ABL / 1.9ltr.

- 044100098 X

base engine / 62 KW / AAC / 2.0ltr.

(2) 021100031KX

base engine / 103KW / AES / 2.8ltr.

transfer from old unit as required:

/ >>M AES010240

/ 021 109 127 B

/ 021 905 163

(2) 022100031L

base engine / 150KW / AMV / 2.8ltr.

(2) 022100031LX

base engine / 150KW / AMV / 2.8ltr.

(3) 074100091AX

base engine / 65/75KW

F >> 70-X-250 000* / 2.5ltr. / ACV,AJT

also use: / 023 105 329 / automatic

use if required: / 074 145 771 M

/ N 013 813 1

/ N 906 264 01

(3) 074100091JX

base engine / 65/75KW

for models with oil level sensor / 2.5ltr.

F 70-X-250 001>>* / ACV,AJT

also use: / 023 105 329 / automatic

use if required: / 074 145 771 M

/ N 013 813 1

/ N 906 264 01

(3) 074100091BX

base engine / 55KW / AJA / 2.4ltr.

(3) 074100091FX

base engine / 110KW

F >> 70-X-250 000 / 2.5ltr. / AHY

use if required: / 074 145 771 N

/ N 013 813 1

/ N 906 264 01

short engine with crankshaft, pistons, oil pump and oil sump

(4) 028100103KX

short engine / 50KW / ABL / 1.9ltr.

(4) 044100103A

short engine / 62KW / AAC / 2.0ltr.

(4) 044100103AX

short engine / 62KW / AAC / 2.0ltr.

(5) 074100103N

short engine / 55KW / AJA / 2.4ltr.

(5) 074100103NX

short engine / 55KW / AJA / 2.4ltr.

(5) 074100103K

short engine / 65/75KW / manual- gearbox: / 2.5ltr. / AJT,ACV

use if required: / 074 145 771 M

/ N 013 813 1

/ N 906 264 01

(5) 074100103DX

short engine / 75KW

F >> 70-X-142 073 / 2.5ltr. / AJT,ACV

F >> 70-XX133 784

use if required: / 074 145 771 M

/ N 013 813 1

/ N 906 264 01

(5) 074100103KX

short engine / 65/75KW

F 70-X-142 074>> / 2.5ltr. / AJT,ACV

F 70-XX133 785>>

for models with oil level sensor

use if required: / 074 145 771 M

/ N 013 813 1

/ N 906 264 01

(5) 074100103GX

short engine / 111KW

F >> 70-Y-000 948 / 2.5ltr. / AHY

use if required: / 074 145 771 N

/ N 013 813 1

/ N 906 264 01

(5) 074100103M

short engine / 65/75/111KW / AYC,AUF,AHY, / 2.5ltr. / AXG,AYY

for models with oil level sensor

also use: / 023 105 329 / automatic:

/ AUF

(5) 074100103MX

short engine / 65/75/111KW / AYC,AYY

for models with oil level sensor / 2.5ltr.

F 70-Y-000 949>> / AUF,AHY,AXG

also use: / 023 105 329 / automatic

use if required: / 074 145 771 M / AUF

/ 074 145 771 N / AHY,AXG

/ N 013 813 1

/ N 906 264 01

(5) 023100103DX

short engine / 85KW / 2.5ltr.

F >> 70-X-200 000 / AET

also use: / 023 105 329 / automatic

(5) 023100103GX

short engine / 85KW / APL,AVT / 2.5ltr.

F 70-Y-000 001>> / AET

also use: / 023 105 329 / automatic

(5) 023100103EX

short engine / 81KW

F >> 70-X-250 000 / 2.5ltr. / AEU

also use: / 023 105 329 / automatic

(5) 023100103F

short engine / 81KW / AEU / 2.5ltr.

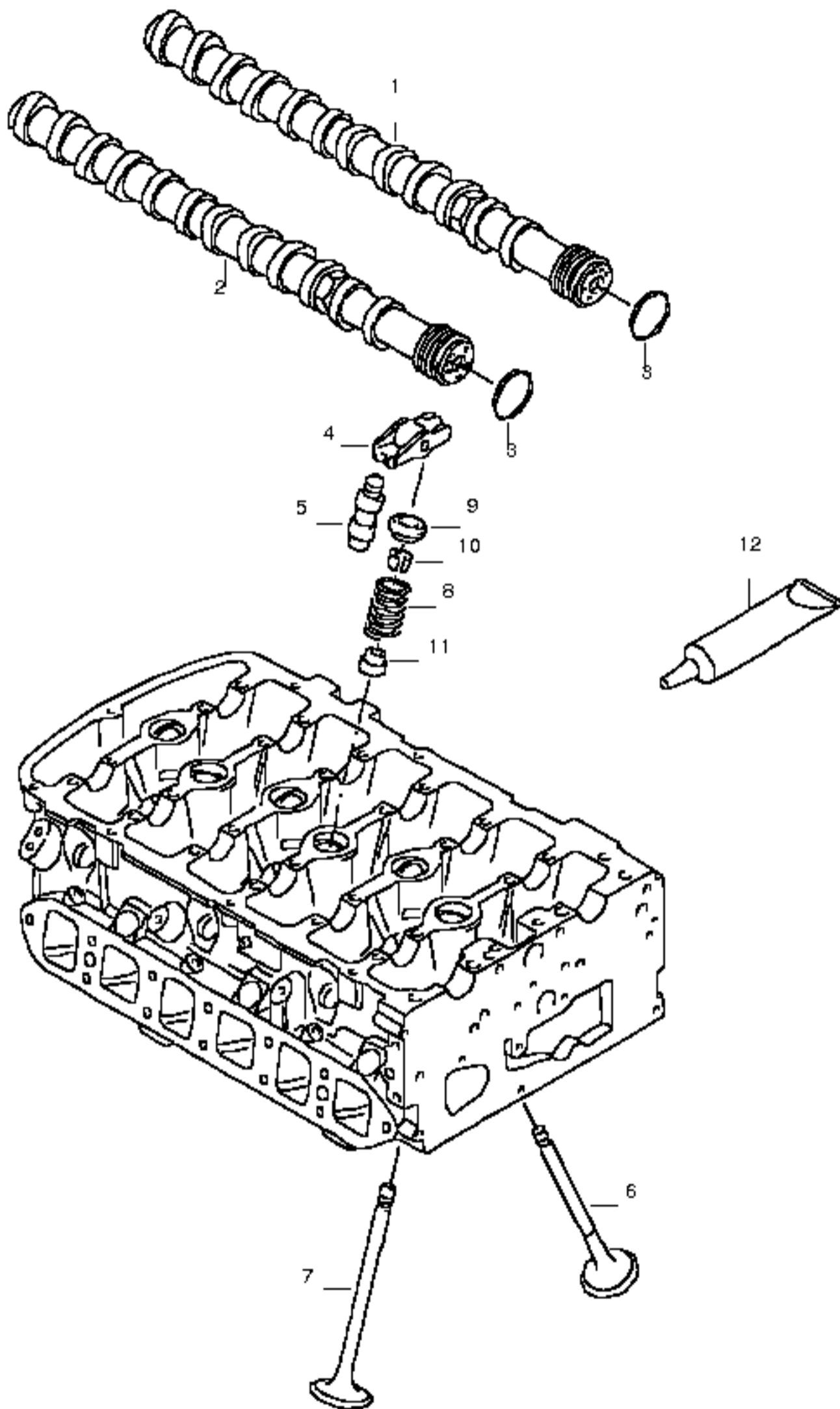
also use: / 023 105 329 / automatic

(5) 023100103FX

short engine / 81KW

F 70-Y-000 001>> / 2.5ltr. / AEU

also use: / 023 105 329 / automatic



camshaft, valves / 2.8ltr. / AMV

1 022109101C
camshaft / exhaust

2 022109102A
camshaft / intake

3 066109345A
seal / 40X1,5

4 022109417C
roller rocker arm

(5) 022109423B
equalizing element, hydraulic

6 022109601E
intake valve / 102

(6) 022109601F
intake valve / 136

7 022109611B
exhaust valve / 103

(7) 022109611C
exhaust valve / 136

8 022109623D
spring - valve
M >> AMV 001 208

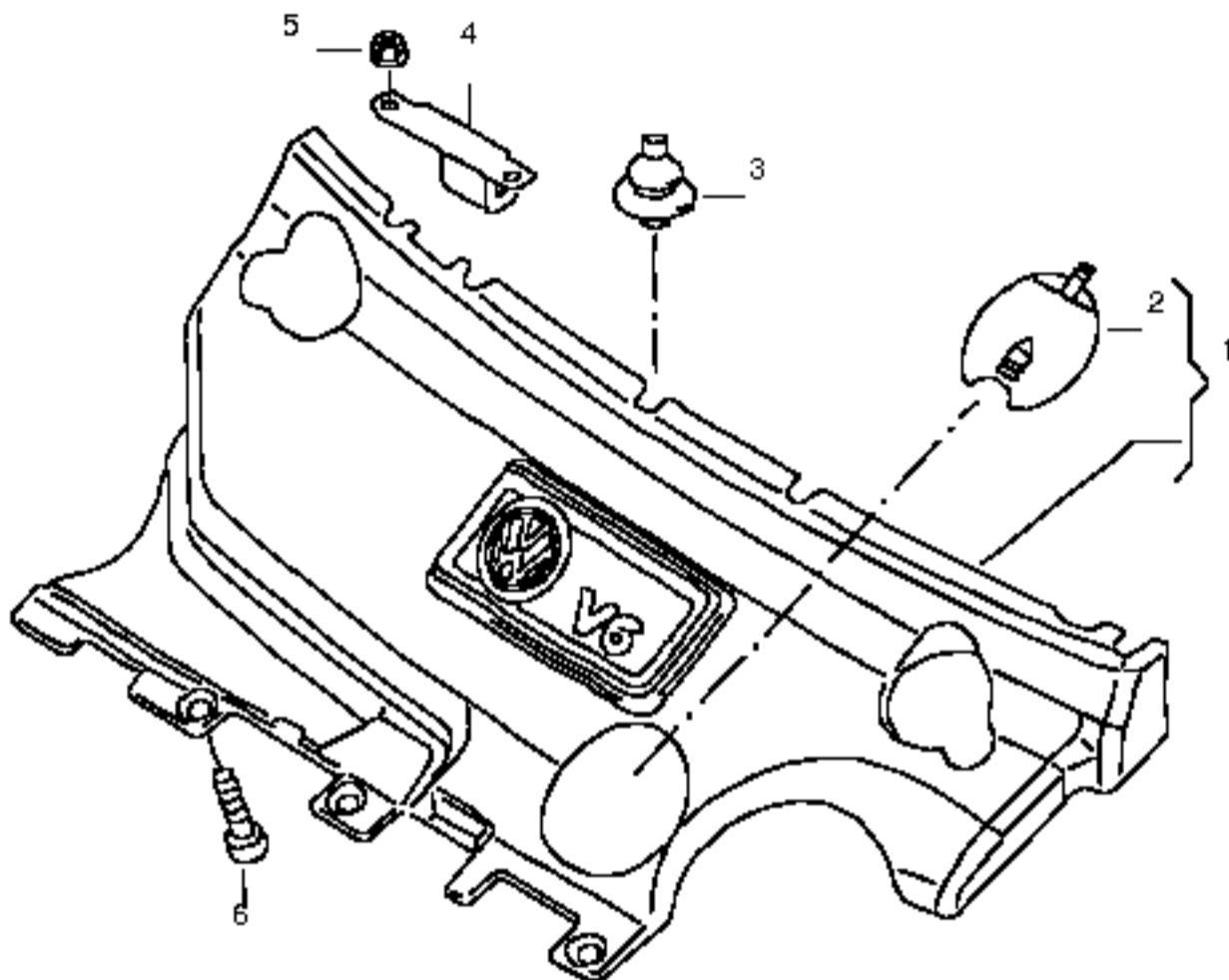
(8) 022109623G
spring - valve
M AMV 001 209>>

9 022109641B
spring disc / upper

10 036109651A
cotter, split

(11) 036109675A
seal - valve stem / 6MM

12 G 052723A2
molypaste, lubricating paste / 50ML



covering / 2.8ltr. / AMV

1 7D0119512A

covering / lhd

F >> 70-2H113 971

(1) 7D0119512F

covering / lhd

F 70-2H113 972>>

(1) 7D2119512

covering / rhd

F >> 70-2H113 971

(1) 7D2119512A

covering / rhd

F 70-2H113 972>>

2 7D0119435

flap

3 7D0103941

retainer

4 7D0103941A

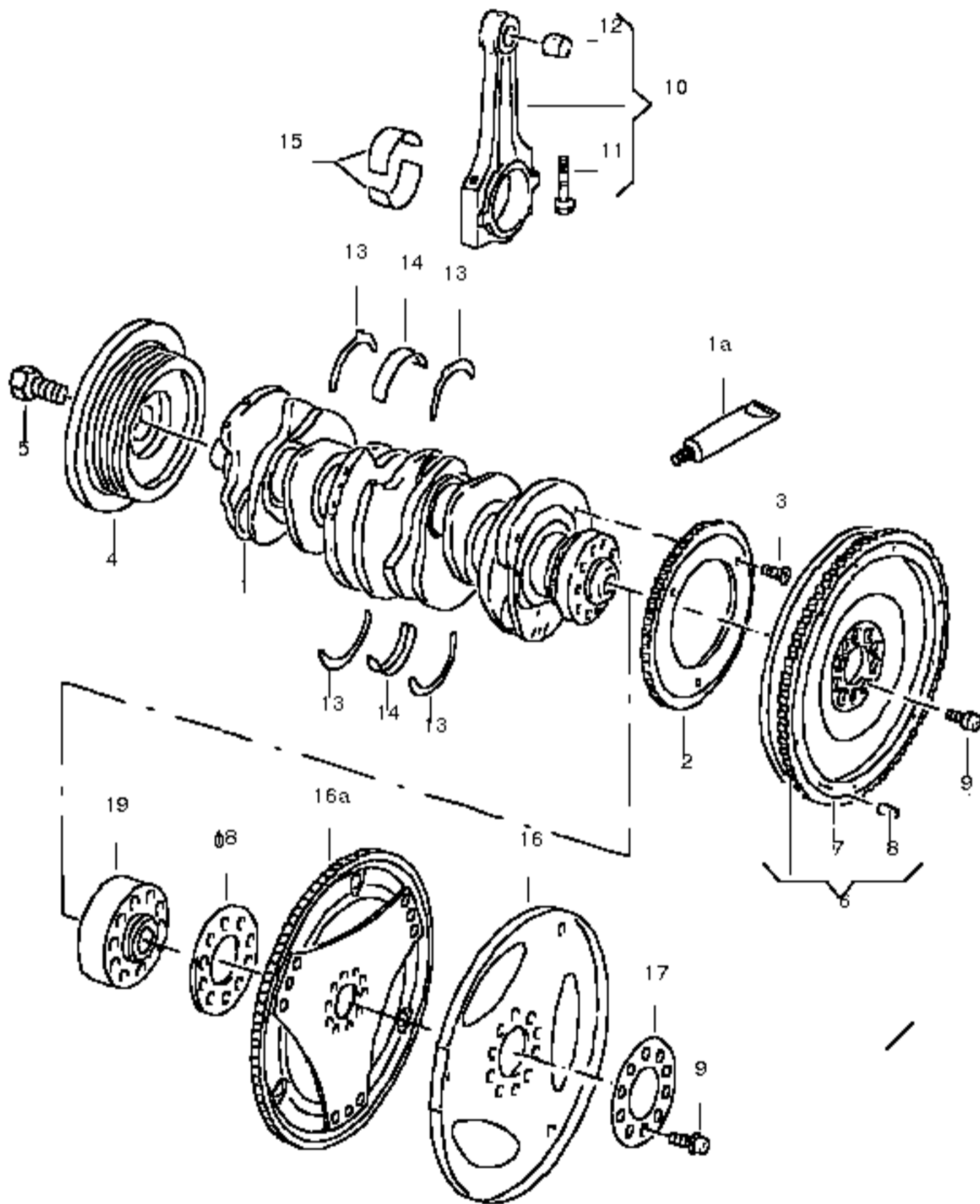
retainer / rhd

5 N 90175203

hexagon nut, shouldered / rhd

6 N 90647601

torx socket fillister hd. bolt / M6X18



crankshaft / 2.8ltr. / AES,AMV

conrod

bearings

1 021105101L

crankshaft / AES

(1) 021105101L

crankshaft / AMV

1A D 000600A2

liquid sealant / 18ML

2 071105189A

impulse rotor / AES

(2) 071105189D

impulse rotor / AMV

3 021105229

countersunk bolt

4 021105243J

vibration damper / AES

4 022105243

vibration damper / AMV

5 N 0100873

hexagonal head bolt / M18X1,5X40

(6) 021105264C

flywheel with clutch / manual gearbox

9 N 90665201

bolt, with multi-spilne socket head / M10X1X23,5 / manual gearbox

(9) N 90539801

cheese head bolt / M10X1X19 / automatic

10 021198401B

1 set: connecting rods

11 077105425B

bolt - connecting rod

12 021105431C

bush - connecting rod

(13) 021105635B

thrust washer

(14) 021198491A

1 set: crankshaft bearings / AES

(14) 071105561A

crankshaft bearing shell / upper / AMV

071105561A 007 yellow

(14) 071105591A

crankshaft bearing shell / lower / AMV

071105591A 007 yellow

15 021105701B

connecting rod bearing shell

021105701B GLB yellow

16 021105327

fixture washer / automatic

17 021105301

washer / automatic

18 021105303

compensation washer / 0,4 / automatic

(18) 021105303A

compensation washer / 0,8 / automatic

(18) 021105303B

compensation washer / 1,2 / automatic

(18) 021105303C

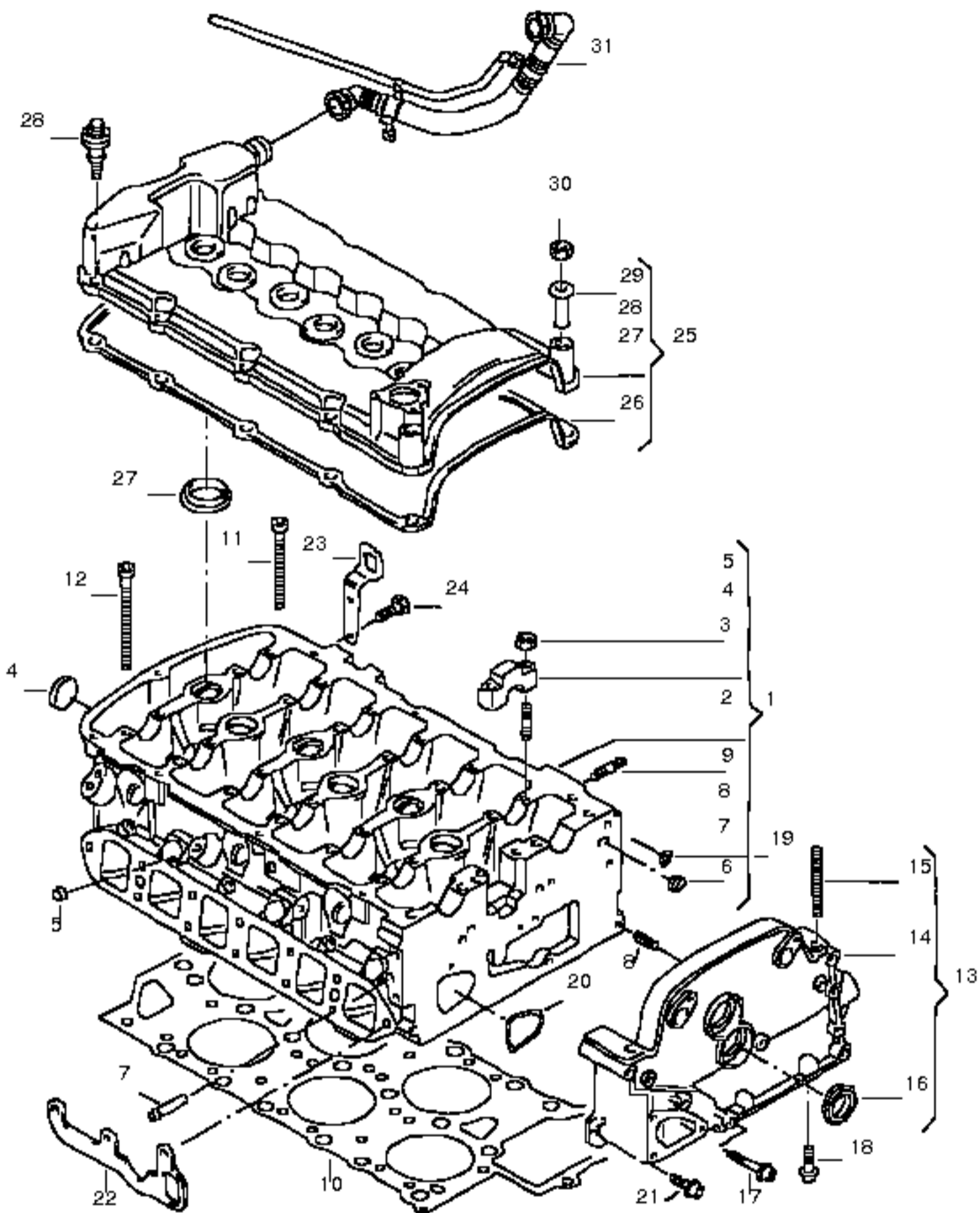
compensation washer / 1,6 / automatic

(18) 021105303D

compensation washer / 2 / automatic

(18) 021105303E

compensation washer / 2,4 / automatic



cylinder head / 2.8ltr. / 6 cylinder:

cylinder head cover / 24V

cylinder head / 2.8ltr. / AMV

cylinder head cover

(1) 022103351C

cylinder head

(1) 022103265 X

cylinder head with valves and camshaft

2 030103397A

stud / M7X45

3 N 90279001

hexagon nut, shouldered / M7

4 N 90898202

locking cover / 30

5 N 0119101

locking cover / 10,1

6 N 10218601

locking cover / 15

7 021133382D

connecting socket / 32

8 N 90332701

spring pin / 9X11,8

9 N 90188902

stud / M8X35

10 022103383F

cylinder head gasket (metal)

11 022103384C

bolt, with multi-spilne socket head / M11X1,5X101

12 022103384D

bolt, with multi-spilne socket head / M11X1,5X131

13 066109122A

covering

15 N 10277101

stud / M6X62

16 066109091A

gasket

17 N 10102302

allen key head bolt (combi) / M6X70

18 N 90355902

allen key head bolt (combi) / M8X30

19 N 90041102

round seal / 8X3-S

20 022121119A

seal

21 N 10227803

allen key head bolt (combi) / M6X20

22 022103390A

tab

23 022103392A

bracket for transport. engine

24 N 0903782

allen key head bolt (combi) / M8X25-Z1

25 022103429G

cylinder head cover

26 022103483E

gasket

27 022103484E

gasket

28 021103831

bolt, hex. hd. with shoulder and sleeve

29 021103831A

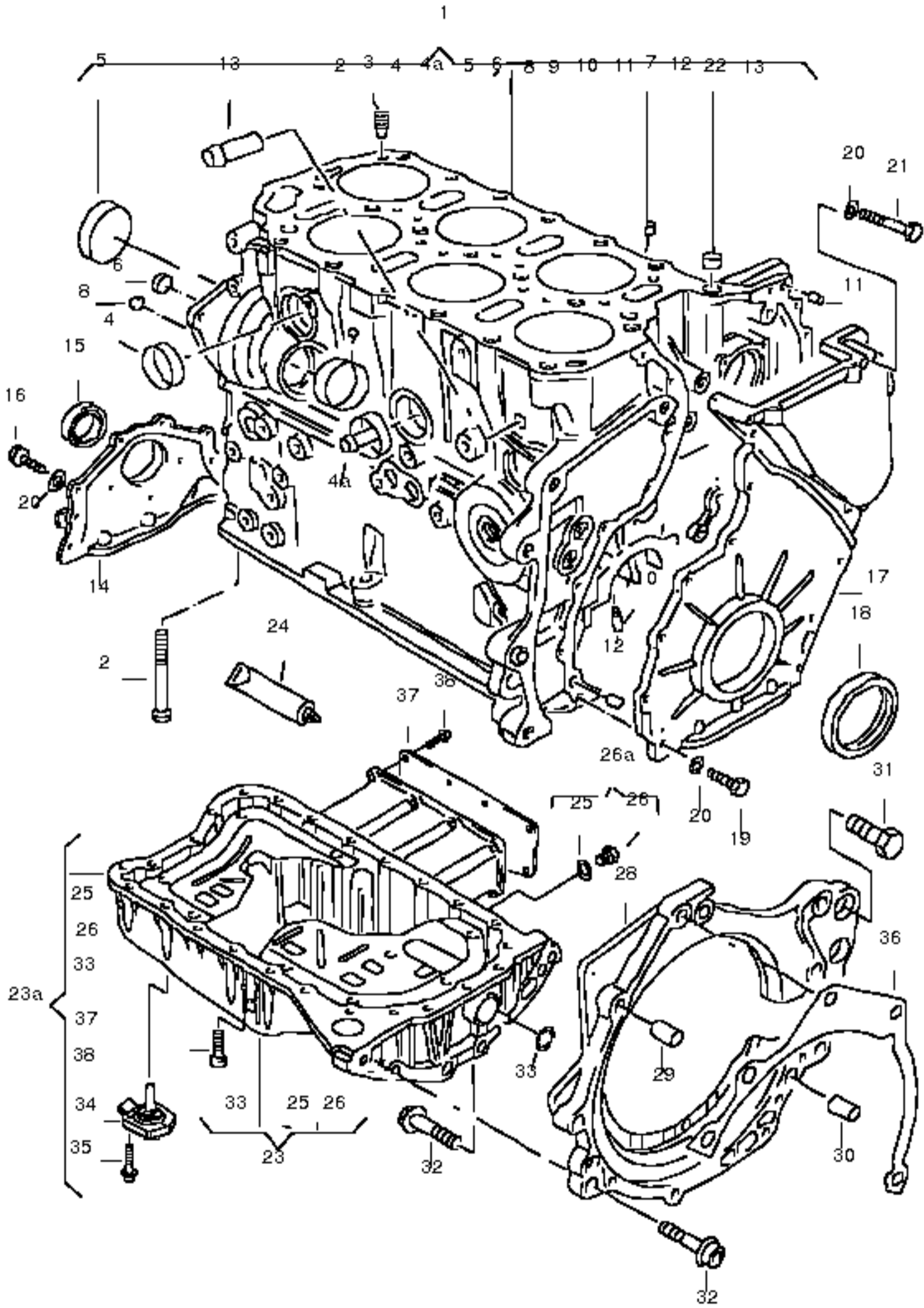
guide sleeve

30 N 90175203

hexagon nut, shouldered / M6

31 022103474A

breather hose



cylinder block with pistons / 2.8ltr. / 6 cylinder:

oil sump / 24V

cylinder block with pistons / 2.8ltr. / AMV

oil sump

(1) 022103101C

cylinder block with pistons

also use: / >>M AMV002008

/ 022 121 011

/ N 105 268 01

- 022121011

water pump with adhesive gasket

- 022121011 X

water pump with adhesive gasket

- N 10526801

oval head countersunk bolt with multi-point socket head / M6X18

2 N 90365801

bolt, with multi-spilne socket head / AM10X78

3 077103175B

valve M >> AMV 002 008

(3) 022103175

valve M AMV 002 009>>

(4) 036103113A

locking cover / 36,6

4A 035103111B

union

6 N 0119033

locking cover / 16

7 113101115A

plug / B7,3X9,3

8 N 0119101

locking cover / 10,1

9 N 0119142

locking cover / 24

10 021103157A

oil spray jet

11 N 0432072

parallel dowel pin / 8H8X14

F >> 70-2-200 000

(11) N 91017001

parallel dowel pin / 8H8X18

F 70-3-000 001>>

(12) 022103139

dowel sleeve / 16X13,5

13 063133382

connecting socket

(14) 022103153

sealing flange / front

(15) 038103085E

oil seal / 35X48X10

16 N 10082907

hexagon head bolt (combi) / M6X16-Z1

17 066103173G

sealing flange / rear

18 021103051

oil seal / 85X105X11

F >> 70-1-078 447*

F >> 70-1X071 429*

(18) 021103051C

oil seal / 85X105X11

F 70-1-078 448>>*

F 70-1X071 430>>*

19 N 10082907

hexagon head bolt (combi) / M6X16-Z1

21 N 10116002

hexagon head bolt (combi) / M6X58Z1

22 N 90502601

spring sleeve / 14X12

(23) 022103603A

oil sump with opening for oil level sensor

24 D 176404A2

silicone sealant / 93G

no replacement part

26A N 90813201

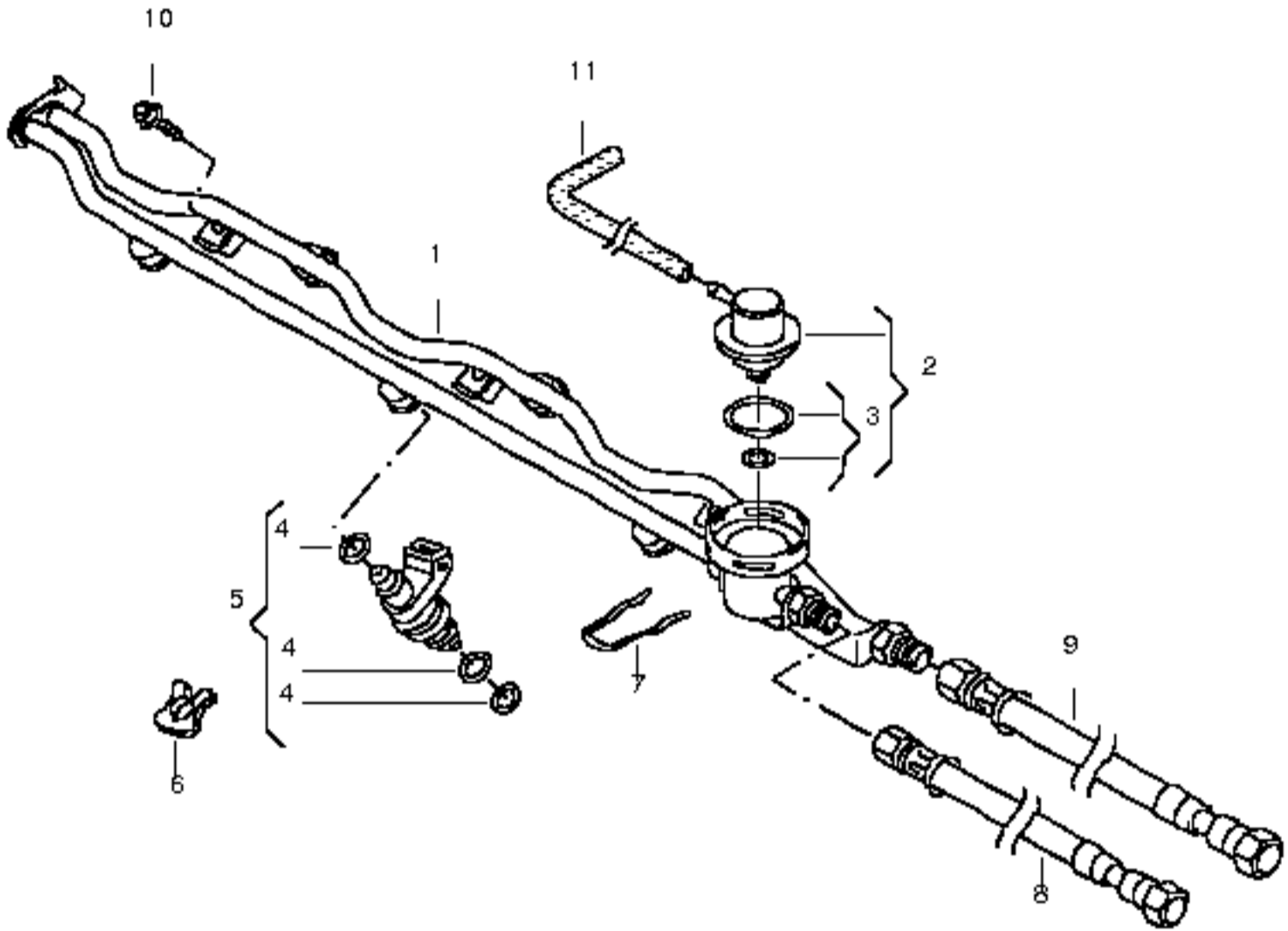
oil drain plug / M14X1,5X22-TC- / S20

27 N 10227803

allen key head bolt (combi) / M6X20

33 N 10041102

plug / 30,5



fuel distributor / 2.8ltr. / 6 cylinder:
/ AMV

1 022133317E
fuel distributor

2 037133035C
pressure regulator

3 037198031
gasket set for pressure regulator

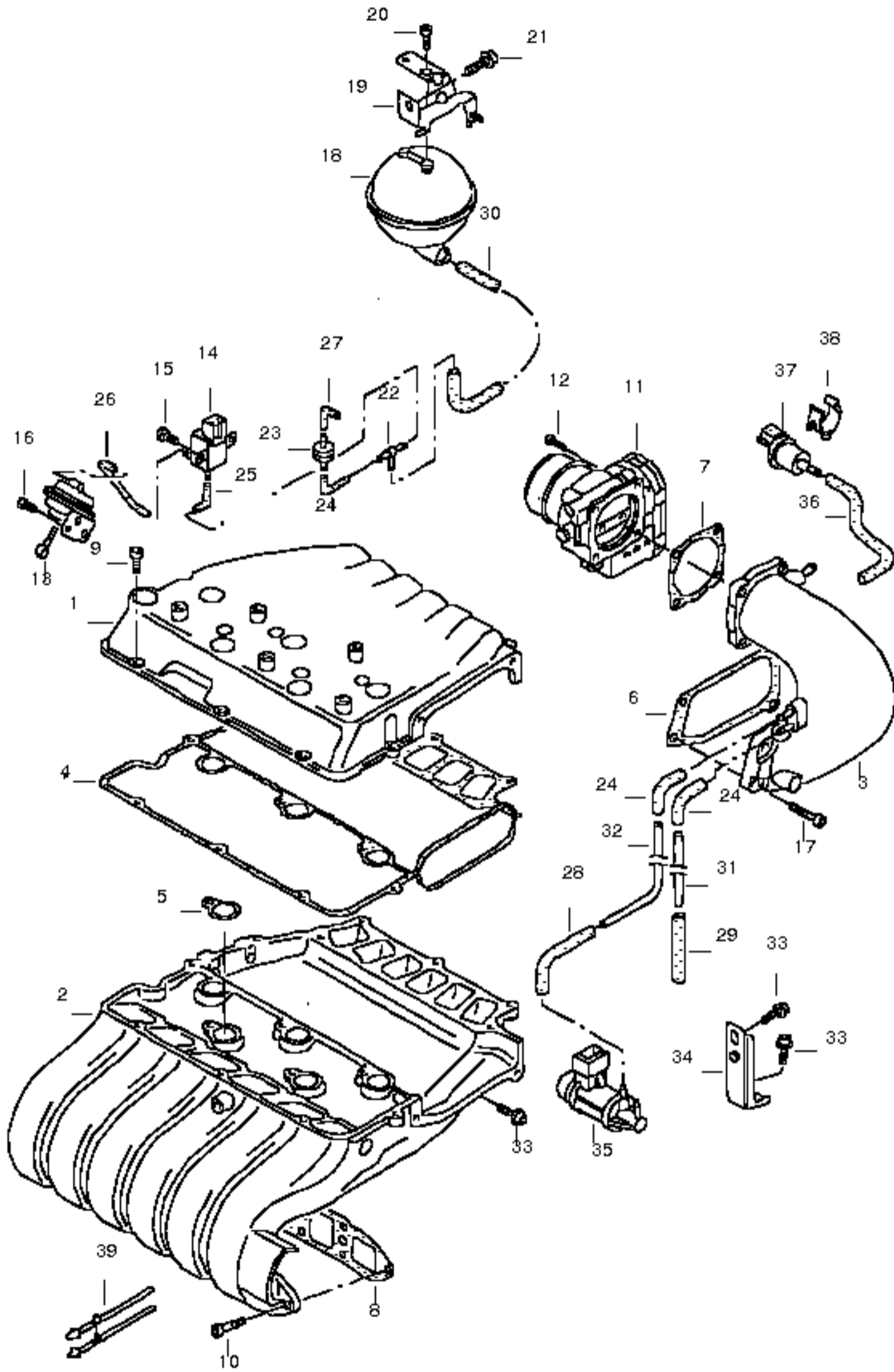
4 022198031
set of gaskets for injector

5 022906031F
injector valve

6 022133047
retaining clip

7 037133047A
retaining clip
see illustration: / 201-50 POS.4
see illustration: / 201-50 POS.5

10 N 10084102
allen key head bolt (combi) / M6X16-S4-N
shorten to: / 40MM



intake system / 2.8ltr. / 6 cylinder:

vacuum system / AMV

activated carbon filter system

1 022133205

intake manifold - upper part

2 022133202G

intake manifold - lower part

3 022133202H

suction pipe

4 022133227B

gasket

also use: / 022 133 227 D

5 022133227D

gasket

also use: / 022 133 227 B

6 022133227C

gasket

7 021133073D

gasket

8 022133227A

gasket

9 N 10080102

allen key head bolt (combi) / M6X25

10 N 90815201

12-point head bolt / M7X42

11 022133062AB

throttle valve adapter for vehicles with accelerator pedal sender

12 N 10127002

allen key head bolt (combi) / M6X55-U-S4-N

13 022133159

vacuum unit for intake manifold

14 037906283D

solenoid valve

15 N 10065802

fillister head bolt (combi.) / M5X12

16 N 10425401

allen key head bolt (combi) / M6X16-Z0

17 N 90405002

allen key head bolt (combi) / M8X38

18 038129807

damper

19 7D0129811

bracket for damper

20 N 0139681

oval head panel screw / ST4,8X13-C

21 N 10115305

allen key head bolt (combi) / M6X12

22 113201943B

t-piece / 4/4/4

23 046905291A

non-return valve

24 034133784

angled hose / 3,5MM

- N 0203535

hose / 3,5X2

- N 0201391

tube / 4X1

33 N 10303603

hexagon socket head bolt with collar / M8X16

34 022253049E

retainer see illustration: / 131-13

(36) 044133990C

angled hose / feed

37 1C0906517A

valve

38 7D0820755D

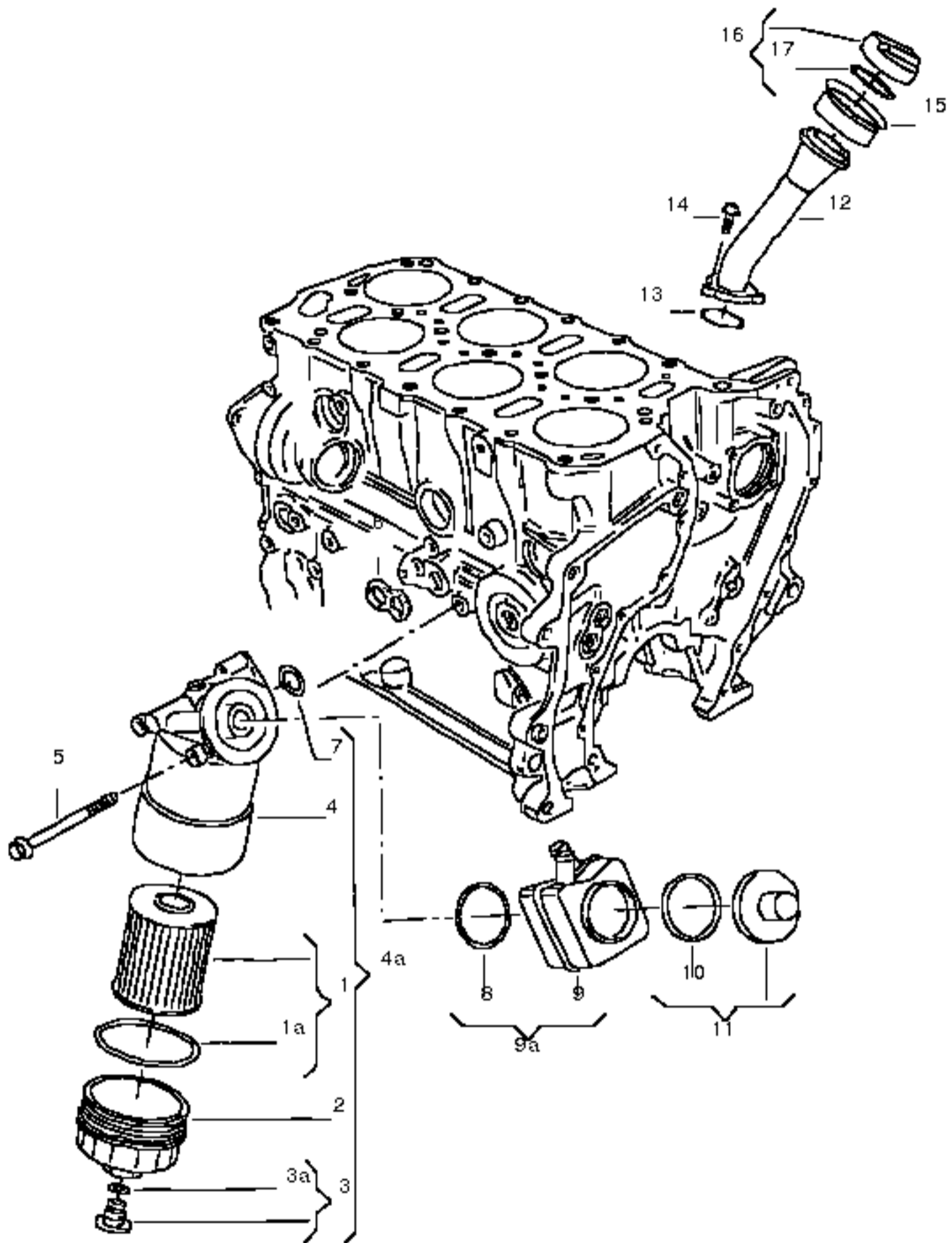
bracket for hose

39 4A0820199

double cable tie

(39) N 90666101

cable tie / 4,5X200



oil filter bracket / 2.8ltr. / 6 cylinder:

oil filter / 24V

oil cooler

oil filter bracket / 2.8ltr. / AMV

oil filter

oil cooler

1 071115562

filter element with gasket

2 071115433

cover

3 071115434

plug with seal

3A N 90405402

round seal / 11X2,5

4A 066115403

oil filter with flange

5 N 10111202

allen key head bolt (combi) / M8X85

(5) N 90520201

hexagon head bolt (combi) / M8X20-U-S1-L

(6) 071115444

seal / 74X3

7 066115111

gasket

8 038117070A

seal / 59X5

9 068117021B

oil cooler

(9) 068117021BX

oil cooler

(10) 038117070

gasket / 62,8

11 021117061B

cover

12 022115308B

oil filler pipe

13 N 90344501

round seal / 45X3

14 N 90500601

hexagon socket head bolt with collar / M6X22

15 074115315

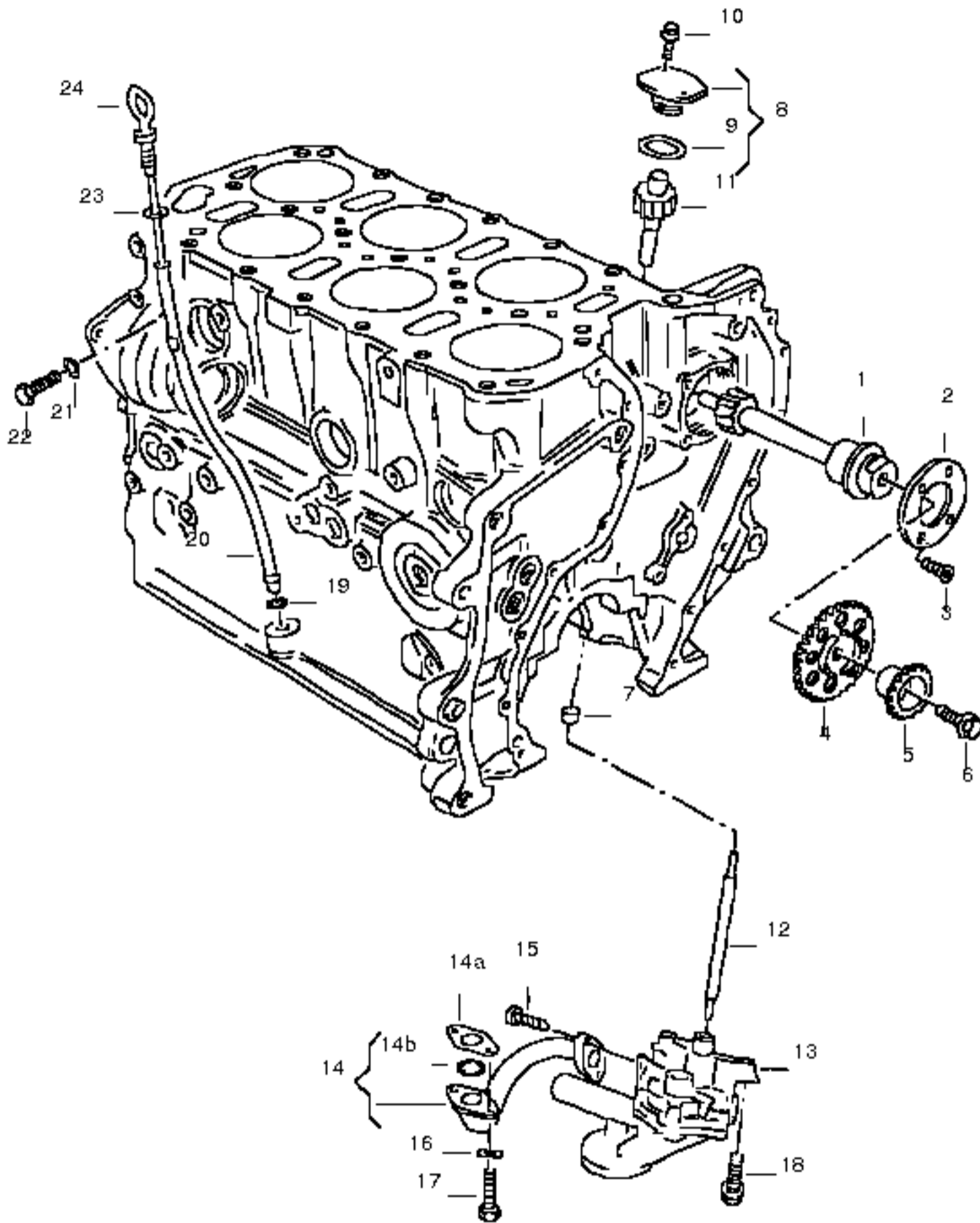
seal

(16) 06B103485B

locking cover

17 070115331

gasket



oil pump / 2.8ltr. / 6 cylinder:

tube for oil dipstick / 24V

oil dipstick

oil pump / 2.8ltr. / AMV

tube for oil dipstick

oil dipstick

1 021115017

intermediate shaft / Z=17

2 021115033

guide ring

3 N 0142265

countersunk bolt / AM6X15

4 021109569

sprocket / Z=32

(5) 066109570

sprocket / Z=18

6 N 10203803

hexagonal head bolt / M12X1,5X40

7 021115112B

bush

8 021115185B

cover

9 N 90531501

round seal / 36,2X2,62

10 N 10082907

hexagon head bolt (combi) / M6X16-Z1

11 021115116A

shaft with gear

12 021115279

driver

(13) 021115105C

oil pump

(14) 021115251A

suction line

M >> AMV 003 600*

also use: / 021 115 257

(14) 021115203

suction line

M AMV 003 601>>*

14A 021115257

gasket

M >> AMV 003 600*

14B 021115444B

seal

M AMV 003 601>>*

15 N 10227803

allen key head bolt (combi) / M6X20

17 N 10227803

allen key head bolt (combi) / M6X20

18 N 90355902

allen key head bolt (combi) / M8X30

19 N 90067202

round seal / 9,5X2,5

20 022115629E

tube for oil dipstick

21 N 0122265

spring washer / B6X12X0,5

22 N 01021527

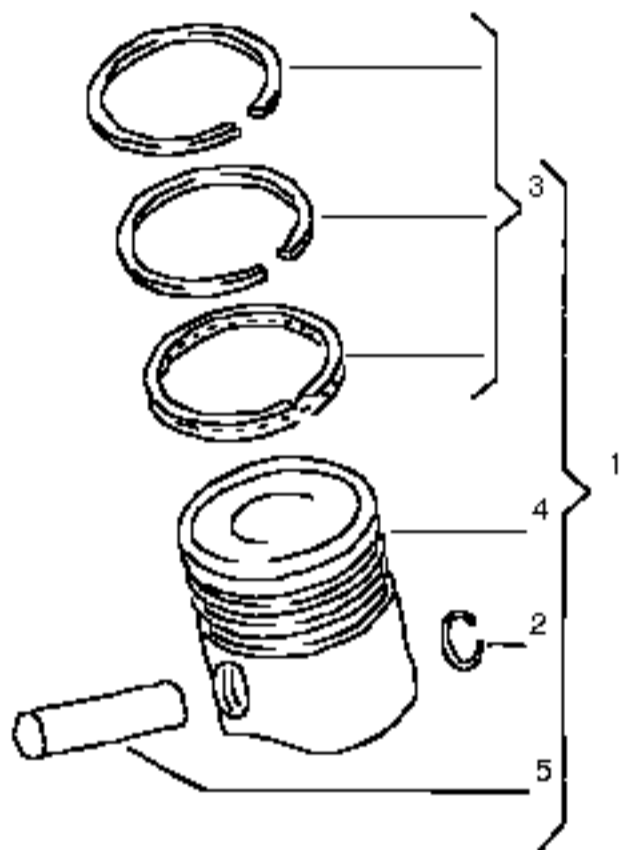
hexagonal head bolt / M6X15

23 034115625B

seal / 5X1,9

24 022115607C

oil dipstick / 950MM



piston / 5-,6-cyl.

(1) 028107065CF
piston complete / AJA
028107065CF001 blue / 79,48
028107065CF003 pink / 79,5

(1) 044107065H
piston complete / 81 / AEU

(1) 023107065A
piston complete / 81 / AET,APL,AVT

(1) 074107065B
piston complete / cylinders 1,2
F >> 70-X-250 000* / AJT,ACV
074107065B 001 blue / 80,96

(1) 074107065AA
piston complete / cylinders 1,2
F 70-Y-000 001>>* / MAHLE / manual- gearbox: / AJT,ACV
074107065AA001 blue / 80,96

(1) 074107065AA
piston complete / cylinders 1,2
F >> 70-2H001 054 / MAHLE / manual- gearbox: / AYC
074107065AA001 blue / 80,96

(1) 074107065E
piston complete / cylinders 1,2 / AYY
F 70-2H001 055>> / manual- gearbox: / AYC
074107065E 001 blue / 80,96

(1) 074107065AB
piston complete / cylinders 3-5 / AJT,ACV / MAHLE
074107065AB001 blue / 80,96

(1) 074107065AB
piston complete / cylinders 3-5
F >> 70-2H001 054 / MAHLE / manual- gearbox: / AYC
074107065AB001 blue / 80,96

(1) 074107065F
piston complete / cylinders 3-5 / AYY
F 70-2H001 055>> / manual- gearbox: / AYC
074107065F 001 blue / 80,96

(1) 074107065E
piston complete / cylinders 1,2 / automatic: / MAHLE / AUF,AYC
074107065E 001 blue / 80,96

(1) 074107065F
piston complete / cylinders 3-5 / automatic: / MAHLE / AUF,AYC
074107065F 001 blue / 80,96

(1) 074107065E
piston complete / cylinders 1,2 / AHY,AXG
074107065E 001 blue / 80,96

(1) 074107065F
piston complete / cylinders 3-5 / AHY,AXG
074107065F 001 blue / 80,96

(1) 028107081
piston complete (oversize) / 80 / AJA

2 N 0122771
securing ring / C24X1,5 / AJA,AET,AEU, / APL,AVT

(2) 046107441
snap ring / 30X1,2
F >> 70-1-114 000* / AJT,ACV,AYC,
F >> 70-1X108 000 / AUF

(2) N 10133301
snap ring / C26X1,5 / AHY,AXG,AYY
F 70-1-114 001>>* / AJT,ACV,AYC,
F 70-1X108 001>>* / AUF

3 038198151
1 set: piston rings / 79,5 / AJA

(3) 044198151
1 set: piston rings / 81 / AET,AEU,APL, / AVT

(3) 074198151
1 set: piston rings / 81 / AJT,ACV,AYC, / AUF,AHY,AXG, / AYY

(3) 028198153A
1 set: piston rings (oversize) / 79,75 / AJA

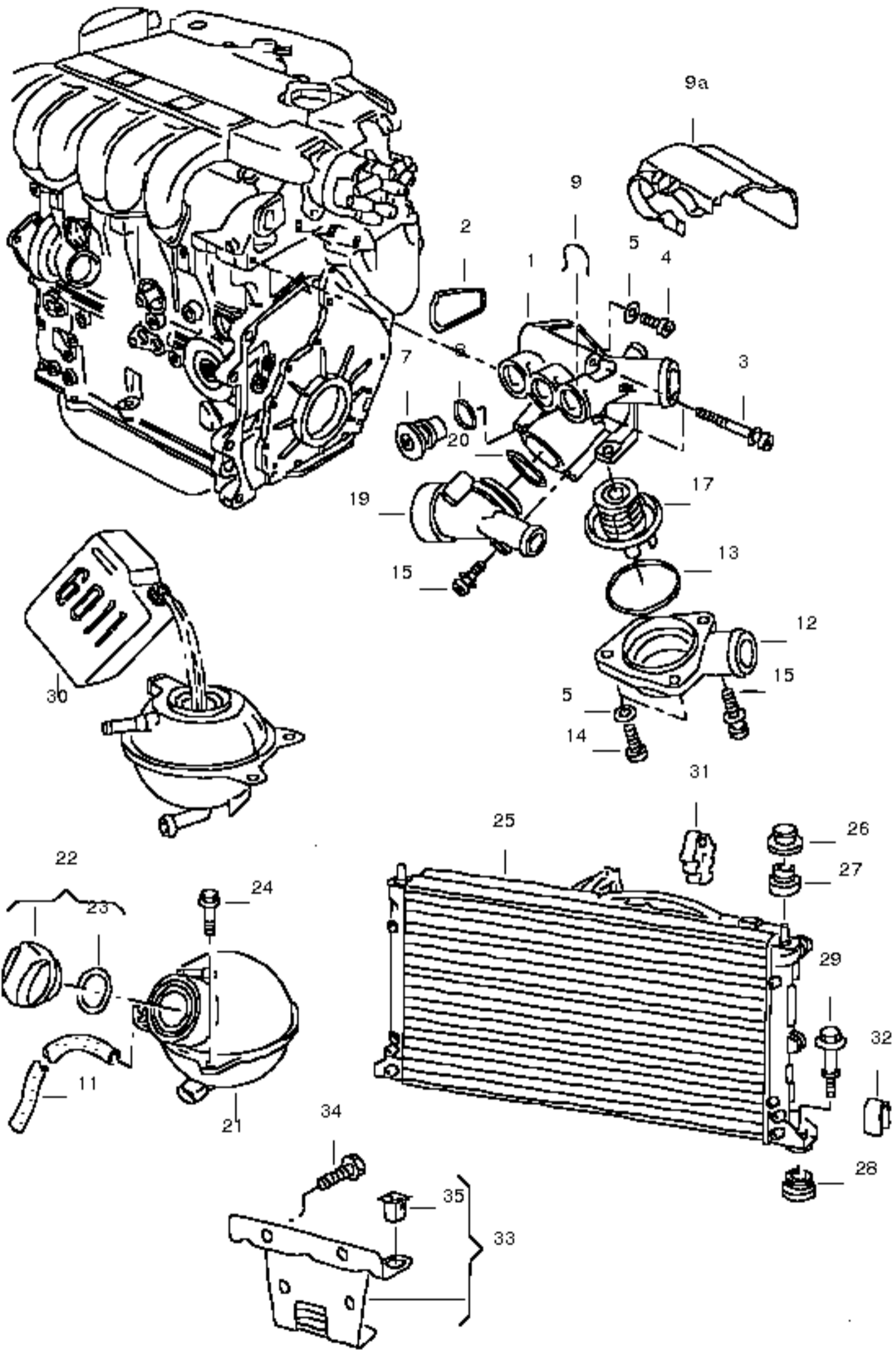
(3) 028198155A
1 set: piston rings (oversize) / 80 / AAB
piston / 2.8ltr. / 6 cylinder

(1) 071107065C
piston complete / 81 / AES

(1) 022107065G
piston complete / 81 / AMV

(2) N 0122731
securing ring / C20X1,5 / AES,AMV

(3) 021198151
1 set: piston rings / 81 / AES,AMV



radiator / 2.8ltr. / 6 cylinder:
expansion tank / AES,AMV
coolant thermostat housing

1 021121117A
coolant thermostat housing / AES

(1) 022121117C
coolant thermostat housing / AMV

2 021121119A
gasket

3 N 90476201
allen key head bolt (combi) / M6X85Z1 / AES

3 N 10458301
allen key head bolt (combi) / M6X120X80Z1 / AMV

4 N 0147821
allen key head bolt / M6X25

5 N 01152423
washer / A6,4X12,5X1,6

7 357121140
plug

8 N 90316802
round seal / 19,6X3,6

9 032121142
retaining spring

9A 357972279
cover cap / AES coolant thermostat housing

11 7D0121063B
water hose / AES
see illustration: / 121-68POS.9 / AMV

12 021121121A
connecting socket / AES

(12) 021121121D
connection piece
F >> 70-2-275 000* / AMV

(12) 022121121E
connection piece
F 70-2-275 001>>* / AMV

13 N 90136802
round seal / 60X3,5

14 N 0147035
allen key head bolt / M6X18 / AES

15 N 10092201
allen key head bolt (combi) / M6X40 / AES

(15) N 90771601
allen key head bolt (combi) / M6X20-Z1 / AMV

17 075121113D
coolant thermostat / 80C / AES

17 075121113D
coolant thermostat / 80C
F >> 70-2-275 000* / AMV

(17) 022121113
coolant thermostat / 80C
F 70-2-275 001>>* / AMV

19 021121133D
connecting socket / AES

20 N 10139201
round seal / 34,5X3,55 / AES

21 701121407C
expansion tank / -G12- / AES

(21) 701121407E
expansion tank / -G12- / AMV

(22) 1H0121321C
locking cover

(23) 1H0121687A
round seal / 28,5X3,8

24 311821143
hex. hd. self-tap bolt (combi) / 6,5X21,5

25 7D0121253
radiator / 722X416MM / AES

(25) 7D0121253C
radiator / 719X395MM / AMV

(30) G 012A8FA1
coolant additive, plus / 1.5ltr. / G12

(30) G 012A8FA8
coolant additive, plus / 55 ltr. / G12

- ZVW237104
coolant additive / 1 GALLON

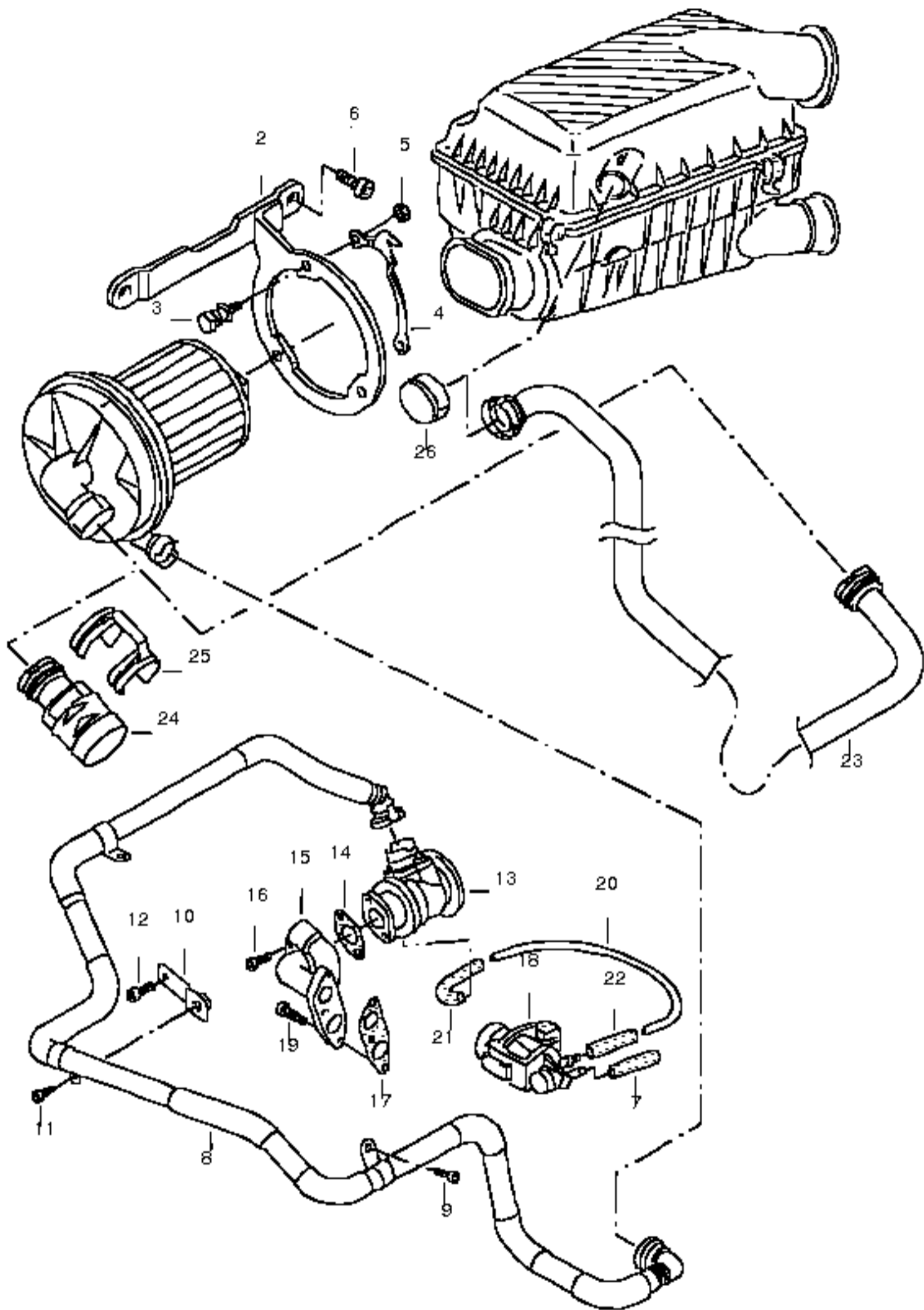
31 701121275A
rubber seal

32 701121276D
grommet / PR-AC1

33 7D0121408B
bracket for reservoir / AMV

(34) N 0195334
hexagon head bolt c/w shoulder / M8X20 / AMV

35 811807577C
insert nut / AMV



secondary air pump / 2.8ltr. / 6 cylinder:
/ AMV

1 06A959253B
secondary air pump

2 022131084A
bracket for pump

3 06A133567A
stop buffer

4 021131085A
bracket for pump

5 N 0150825
hexagon nut, shouldered / M6

6 N 90902301
hexagon socket head bolt with collar / M8X25
see illustration: / 133-85 POS.28

8 022131149B
connecting pipe

9 N 90532901
hexagon head bolt (combi) / M6X16-U-S1

10 022131561C
retainer

11 N 90818301
allen key head bolt / M6X9

12 N 10248001
hexagon socket head bolt with collar / M6X14

13 06A131229
kombi valve

14 06A131120A
gasket

15 022131116
adapter

16 N 01470210
allen key head bolt / M6X15

17 022131120A
gasket

18 1J0906283B
solenoid change-over valve

19 N 90500601
hexagon socket head bolt with collar / M6X22

- N 0201391
tube / 4X1
shorten to: / 668MM

21 034133784
angled hose / 3,5MM

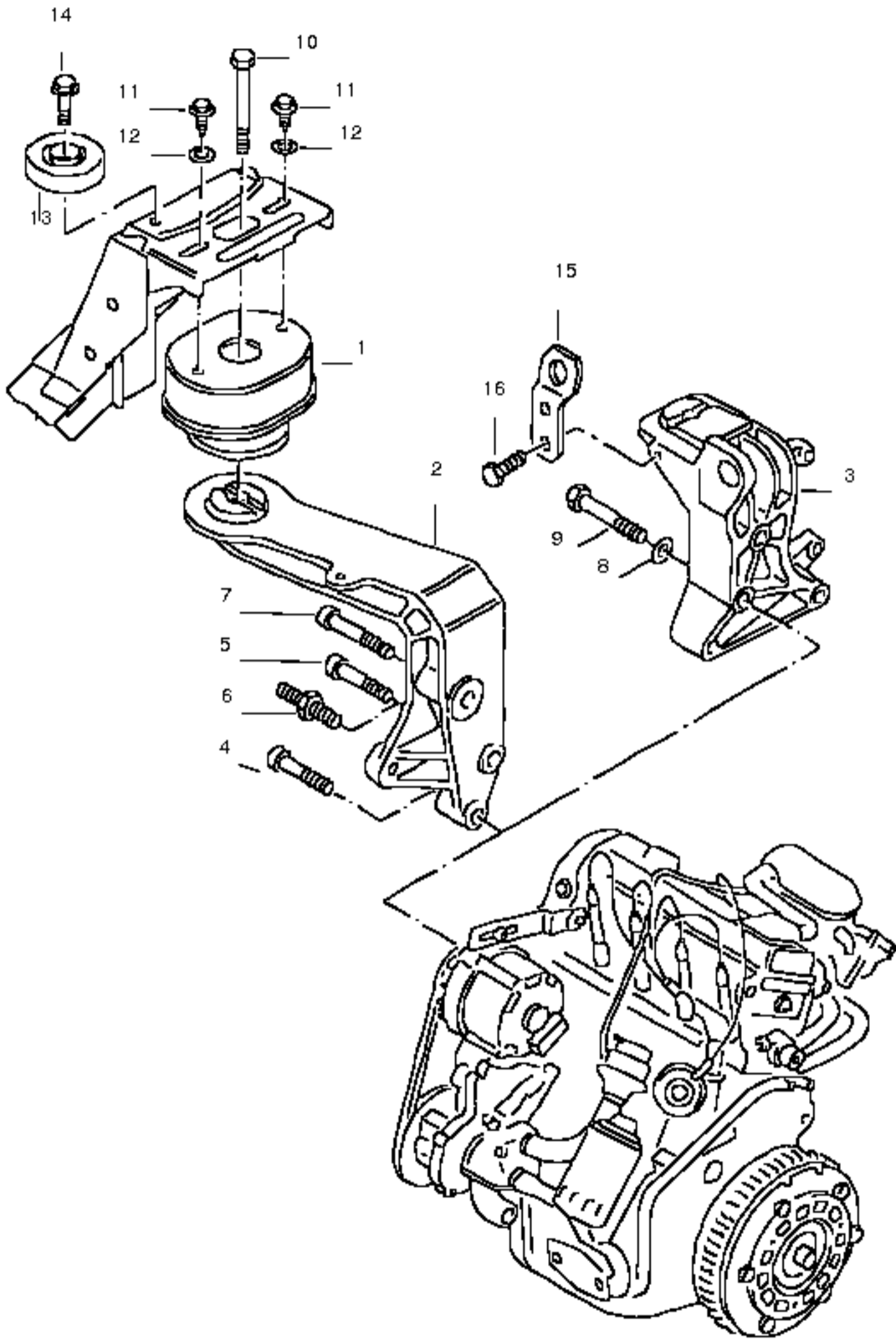
- N 0203535
hose in coils of 5m 'order unit 5' / 3,5X2
shorten to: / 40MM

23 021131127D
connecting pipe
F >> 70-1-078 000*
F >> 70-1X072 000*

24 3B0131351
non-return valve
F 70-1-078 001>>*
F 70-1X072 001>>*

25 3B0131086
bracket for valve
F 70-1-078 001>>*
F 70-1X072 001>>*

26 1J0131510
cap
F 70-1-078 001>>*
F 70-1X072 001>>*



securing parts for engine / 6 cylinder: / AES,AMV

(1) 7D0199132D

hydro-mounting / right / automatic

(1) 7D0199132D

hydro-mounting / right / manual- gearbox: / ACU,AJA,AJT, / AET,APL,AVT, / AYY

(1) 7D0199132E

hydro-mounting / right / manual- gearbox: / ABL,AAC,ACV, / AES,AEU,AYC

(1) 7D0199132E

hydro-mounting / right / 5 cylinder: / AHY,AXG

(2) 028199207F

support / right / 4 cylinder: / ABL

2 044199207P

support / right / 4-cylinder/ / manual- gearbox: / AAC

(2) 044199205B

support / air condit./ / manual- gearbox: / AAC for models with 2nd alternator / manual- gearbox: / AAC

(3) 022199354E

support / right / 6 cylinder

also use: / *>>70-2-110000

/ N 014 723 6

5 N 10194702

allen key head bolt / M10X58 / 4 cylinder

(7) N 90461501

allen key head bolt (combi) / M10X52 / 4 cylinder: / ABL

(7) N 0147296

allen key head bolt / M10X45 / 4 cylinder: / AAC

(7) N 10194702

allen key head bolt / M10X58 / 4 cylinder: / ABL

9 N 0104553

hexagonal head bolt / M10X55 / 5 cylinder: / AJA,AEU,AET, / APL,AVT

(9) N 10136101

hexagon head bolt (combi) / M10X60 / 5 cylinder: / ACV,AJT,AHY, / AUF,AXG,AYC, / AYY

(9) N 10204802

hexagon head bolt c/w shoulder / M10X35-PC-SW16

F >> 70-2-110 000* / 6 cylinder

(9) N 0147236

allen key head bolt / M10X30

F 70-2-110 001>>* / 6 cylinder

(10) N 10234204

hexagon head bolt c/w shoulder / M10X40 / AJA,AEU,ACV, / AET,AJT,APL, / AUF,AVT,AYC, / AYY,AHY,AXG

(10) N 10241503

hexagon head bolt c/w shoulder / M10X70 / AES,ABL,AAC, / AMV

(11) N 90736601

hexagon nut, shouldered / M10

(13) 7D0199503C

balance weight / left/right / AET,AEU,ACV, / AJT,AHY,APL, / AUF,AVT,AYC, / AXG,AYY

13 7D0199503B

balance weight / left/right / AMV,AES

(14) N 01100830

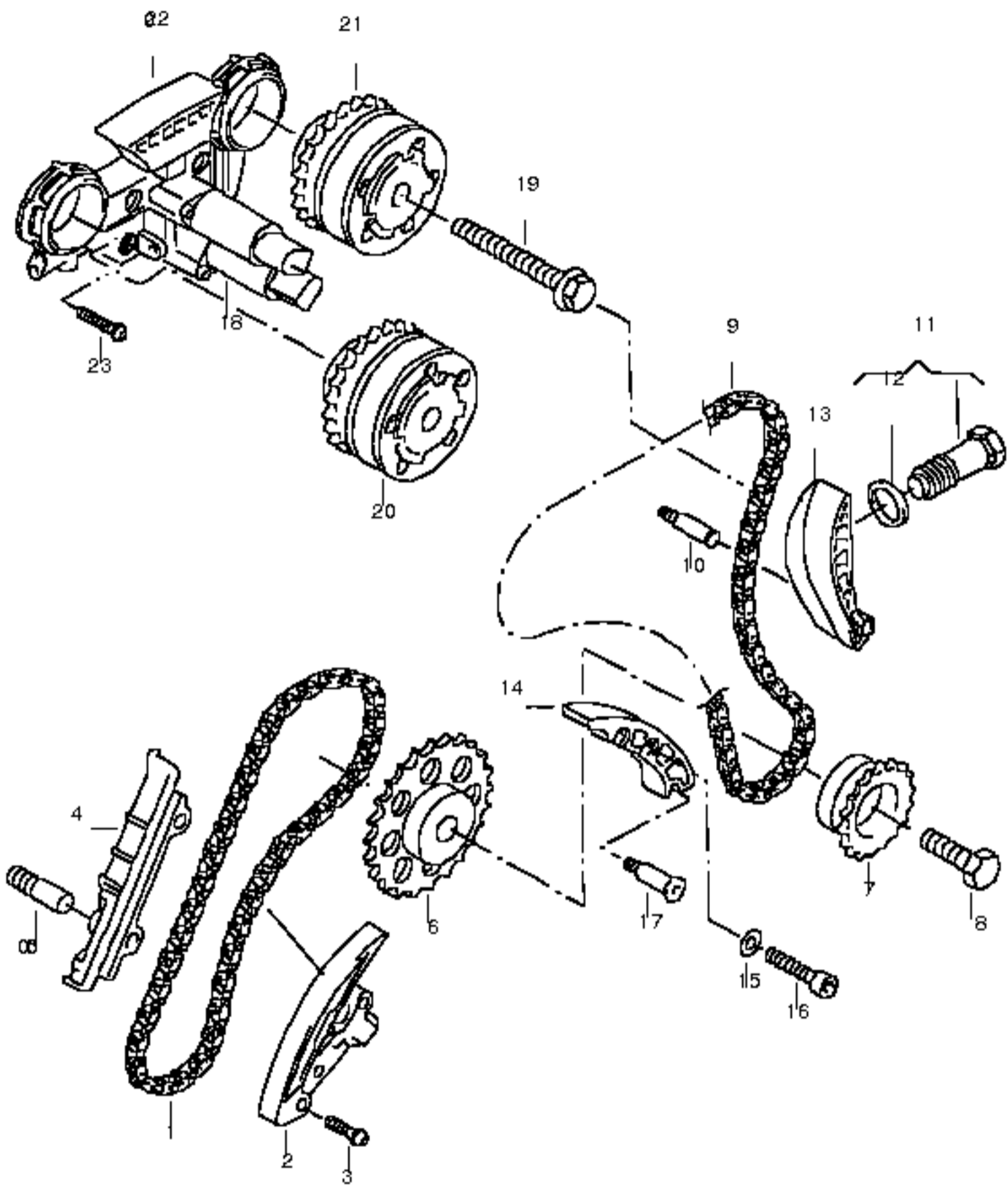
hexagonal nut / M8 / ACV,AES,AET,

balance weight / left / AEU,AJT,APL, / AUF,AVT,AMV, / AYC,AHY,AXG, / AYY

14 N 01023911

hexagonal head bolt / M8X18 / ACV,AES,AET,

balance weight / right / AEU,AJT,AHY, / APL,AVT,AMV, / AYC,AXG,AYY



timing chain / 2.8ltr. / 6 cylinder:

slide rail / 24V

timing chain / 2.8ltr. / AMV

slide rail

1 021109465B

timing chain / IWIS

2 021109467

chain tensioner / IWIS

3 N 90535001

allen key head bolt / M6X24

4 021109469

slide rail

5 021109471

pin

6 021109569

sprocket / Z=32

(7) 066109570

sprocket / Z=18

8 N 10203803

hexagonal head bolt / M12X1,5X40

9 066109503B

timing chain

10 066109511D

pin

(11) 066109507A

chain tensioner

12 N 0138271

seal / A22X27

13 066109509A

chain tensioner

(14) 066109513A

slide rail

(15) N 01152520

washer / A8,4X16X1,6

16 N 0147154

allen key head bolt / M8X45

17 071109515

pin / 10X29X40

18 066109210H

timing case

19 N 10488302

hexagon head bolt c/w shoulder / M12X1,5X85

20 022109087E

camshaft adjuster unit / intake

21 022109088G

camshaft adjuster unit / exhaust

22 066109514

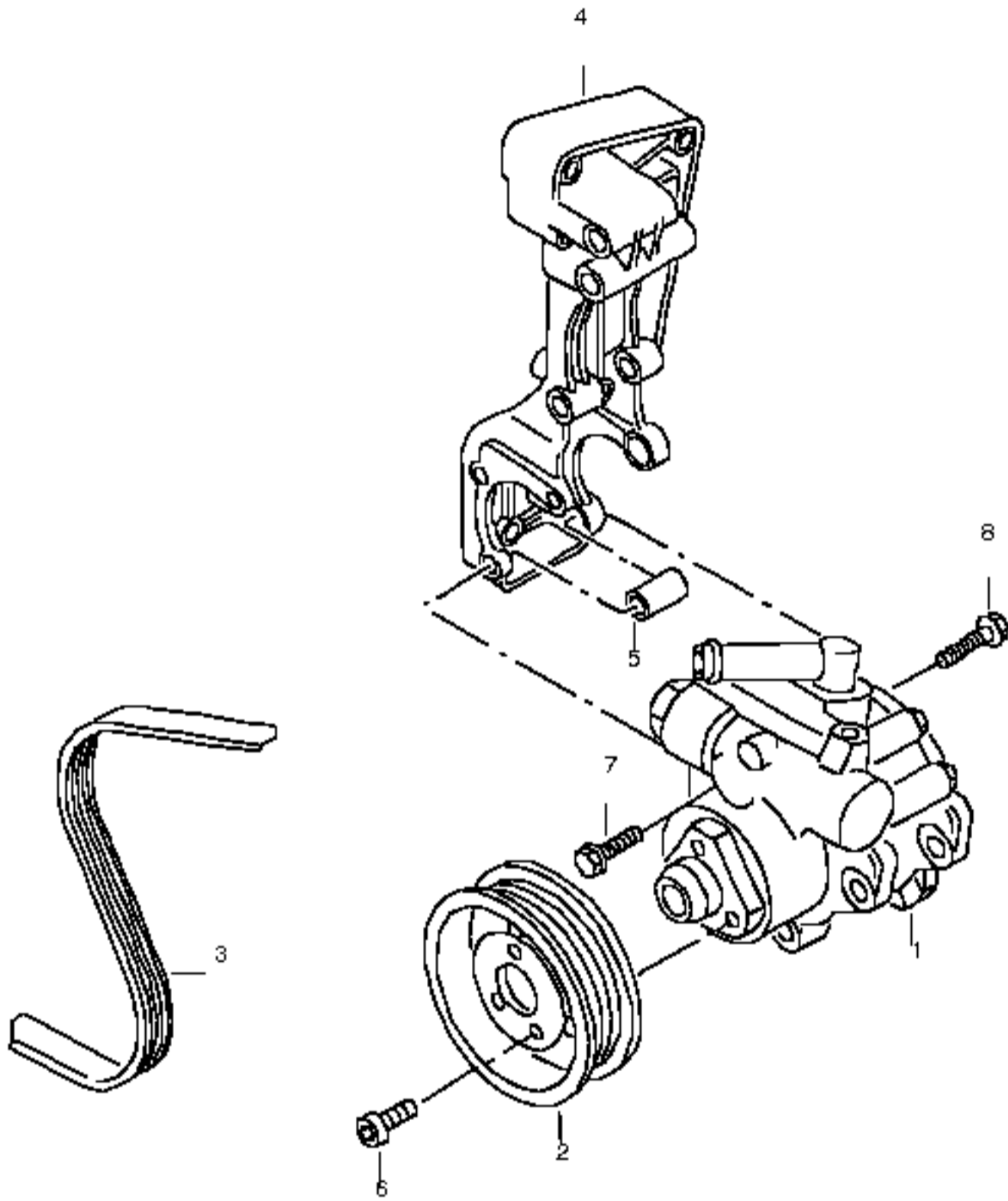
slide rail M >> AMV 003 403

(22) 066109514A

slide rail M AMV 003 404>>

23 N 90965801

torx socket head bolt (combi) / M6X30



vane type pump / 2.8ltr. / 6 cylinder
for power steering

vane type pump / 2.8ltr. / AES,AMV
for power steering

1 028145157F
vane type pump / AES

(1) 028145157FX
vane type pump / AES

(1) 7D0422154
vane type pump / KAYABA / AMV

(1) 7D0422154 X
vane type pump / KAYABA / AMV

(2) 021145255
ribbed belt pulley

3 021145933J
ribbed v-belt / 24,92X1320MM / AES

(3) 022145933F
ribbed v-belt / 24,92X1280MM / AMV

(3) 021145933K
ribbed v-belt / 24,92X1400MM / AES
for vehicles with air condit.

(3) 021145933P
ribbed v-belt / 24,92X1360MM / AMV
for vehicles with air condit.

4 021260087B
bracket for alternator and refrigerant compressor / AES
see illustration: / 903-70 POS.1.

(4) 022260087A
bracket for alternator and refrigerant compressor / AMV
bracket for hydraulic pump

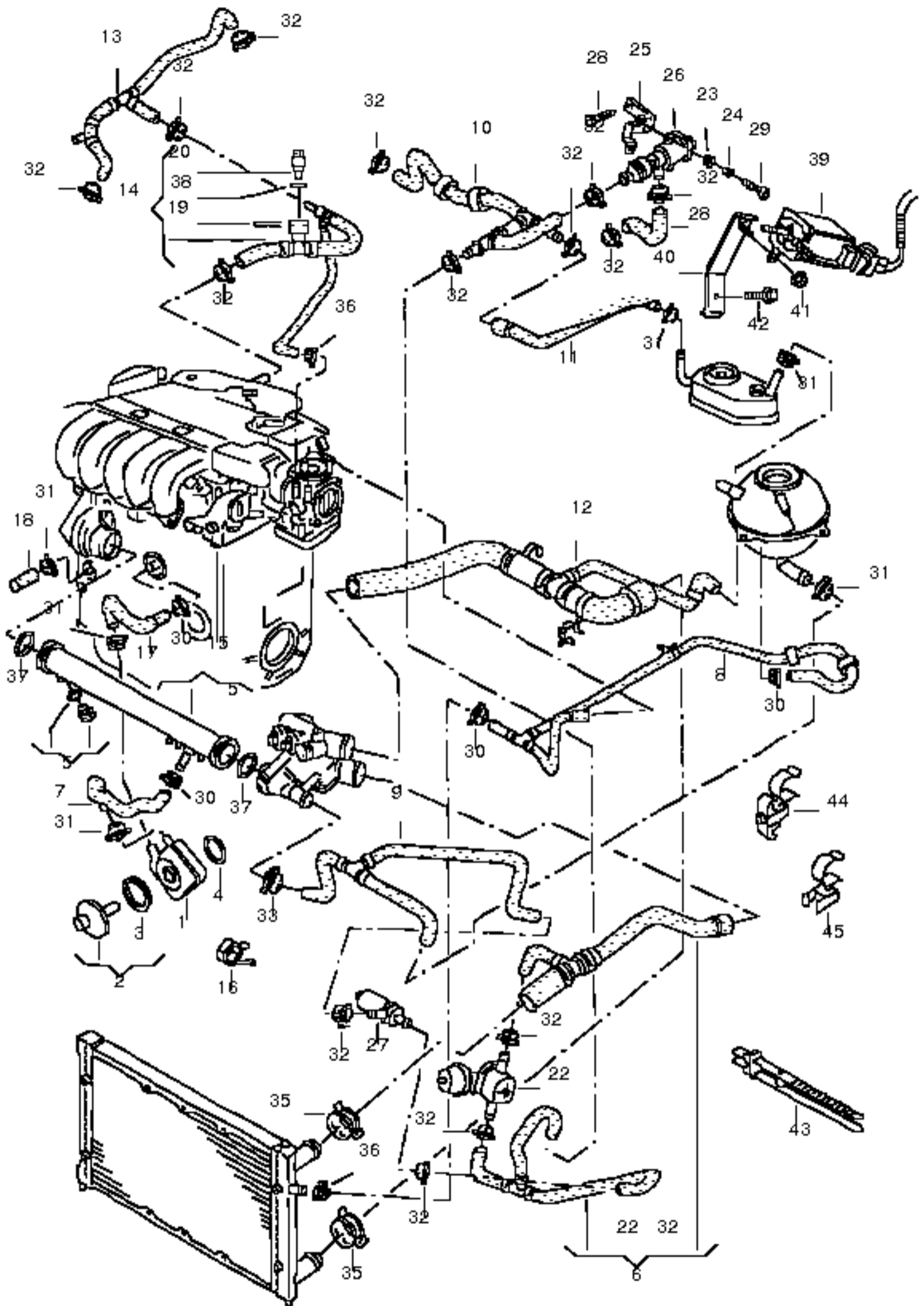
5 068903147H
bush / 8,4X18X19,5

6 N 0147067
allen key head bolt / M8X12

7 N 10240001
hexagon head bolt c/w shoulder / M8X32-W

(8) N 10109208
hexagon head bolt c/w shoulder / M8X30 / AMV

8 N 10240101
hexagon head bolt c/w shoulder / BM8X42 / AES



water hoses and pipes / 2.8ltr. / AMV

heater
water hoses

1 068117021B
oil cooler

(1) 068117021BX
oil cooler

2 021117061B
cover

(3) 038117070
gasket / 62,8

(4) 038117070A
seal / 59X5

5 021121022
sealing plug

6 7D0122051
water hose with valve (coolant thermostat housing > radiator)
(coolant thermostat housing > additional water pump)

7 022121058A
water hose (oil cooler > water pipe)

8 7D0122447A
water hose (reservoir > radiator)

9 7D0122073K
water hose (reservoir > coolant thermostat housing > additional water pump)

10 7D0122073H
water hose for vehicles with 2nd heat exchanger
(electric change-over valve > gearbox oil cooler > heat exchanger>intermediate piece)

(10) 7D0122073J
water hose

11 7D0121096
water hose (at fluid cooler > intermediate piece)

12 7D0122101A
water hose (gearbox oil cooler > coolant thermostat housing > radiator)

13 7D0122157H
water hose (1. heat exchanger > 2. heat exchanger)

for vehicles with 2nd heat exchanger

(13) 7D0122157J
water hose

14 7D0122157K
water hose for vehicles with manually regulated air conditioner

(14) 7D0122157L
water hose for vehicles with electronically regulated air condit.

15 022121050
water pipe

16 044121093C
retainer

17 022121096A
water hose (oil cooler > cylinder block)

18 7M3121099
plug

19 032121142
retaining spring

20 021919369
thermal switch / 93/88C 20MM
for vehicles with manually regulated air conditioner / 2 pin / blue/white

(20) 701919369C
temperature sender with switch / -- + 93/88C
for vehicles with electronically regulated air condit. / 4 pin
/ blue/white / 20MM

21 701819372G
water hose for vehicles with air condit.

22 701819809G
vacuum valve

23 701820997
grommet

24 701820998
sleeve

25 701820999B
retainer

(26) 7D0963375
valve electric

(27) 1J0965561A
additional water pump

28 N 0138905
hexagon head panel screw / ST6,3X13-C

29 N 0140963
oval hd. csk. self-tapp. screw / ST4,2X22-C

30 N 0164011
spring-type clip / 19

31 N 0164021
spring-type clip / 23

32 N 0164031
spring-type clip / 27

33 N 0164041
spring-type clip / 32

34 N 0164091
spring-type clip / 47

35 N 0164101
spring-type clip / 40

36 N 10292201
spring-type clip / A14X12

37 N 10139201
round seal / 34,5X3,55

38 N 90316802
round seal / 19,6X3,6

39 028906283
solenoid change-over valve / black

40 7D0906279B
retainer for vehicles with manually regulated air conditioner
for vehicles with manually regulated heater

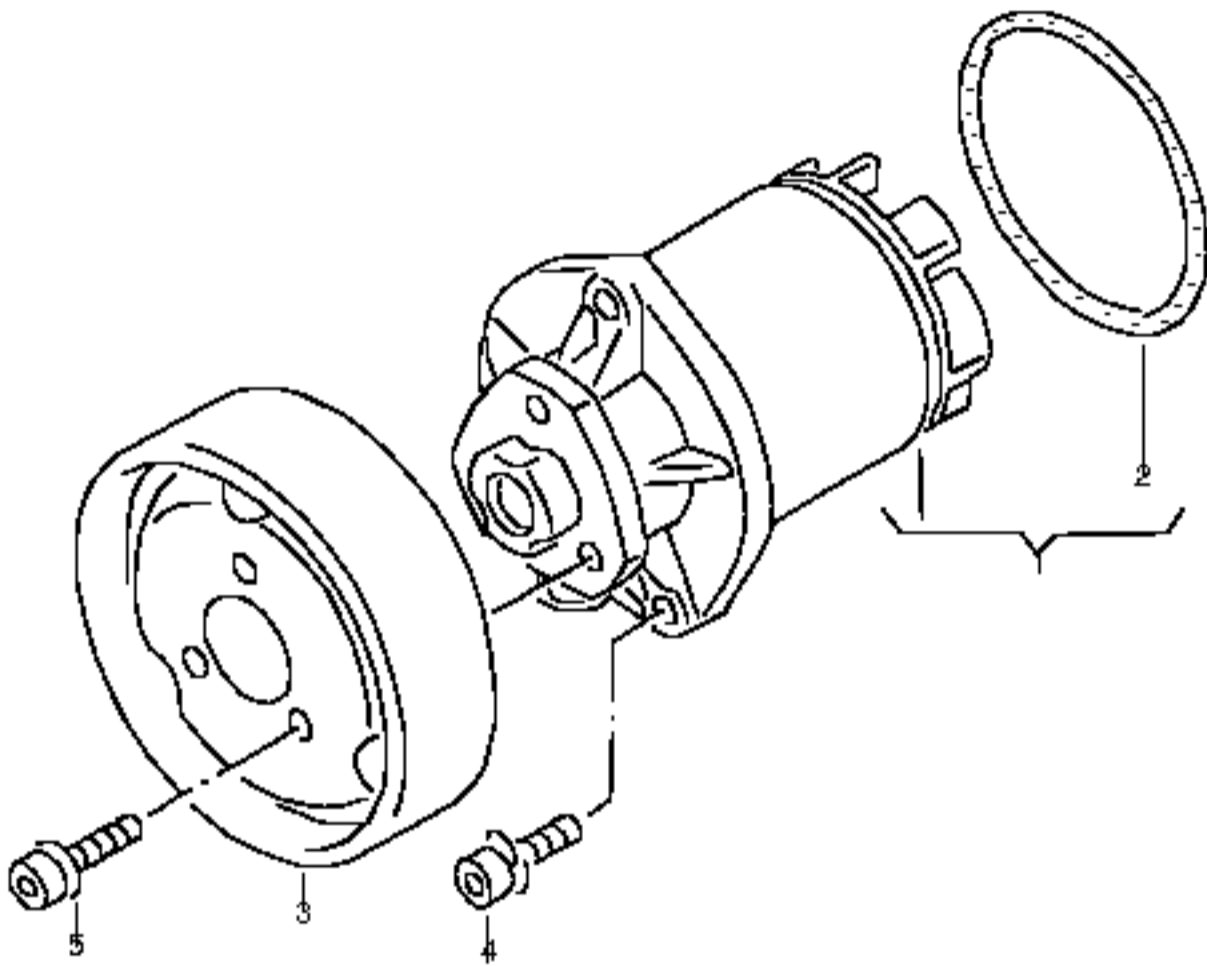
41 N 01100517
hexagonal nut / M5

42 N 0138905
hexagon head panel screw / ST6,3X13-C

43 4A0820199
double cable tie

44 N 10246401
retainer / A03-14XC05-22

45 7D0121093E
retainer



water pump / 2.8ltr. / 6 cylinder:
/ AES,AMV

(1) 021121004 X

water pump with gasket / AES
use if required: / 021 121 031 C
F >> 70-2-097 000* / AMV

(1) 022121011

water pump with adhesive gasket
F 70-2-097 001>>* / AMV

(1) 022121011 X

water pump with adhesive gasket
F 70-2-097 001>>* / AMV

2 N 90436301

seal / 67,6X3,55 / AES
F >> 70-2-097 000* / AMV

(3) 021121031C

pulley

4 N 90221803

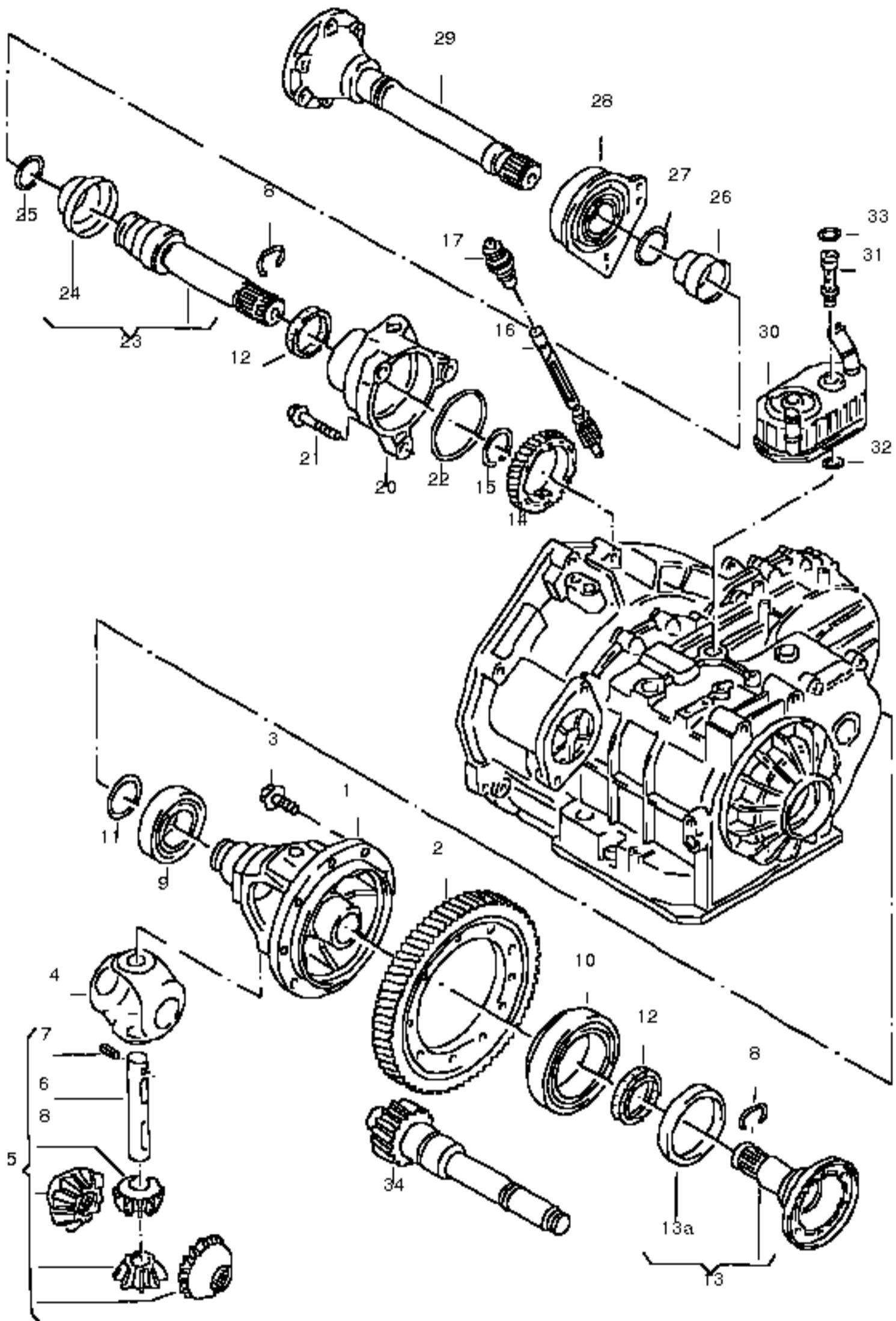
allen key head bolt (combi) / M8X20 / AES
F >> 70-2-097 000* / AMV

(4) N 10526801

oval head countersunk bolt with multi-point socket head / M6X18
F 70-2-097 001>>* / AMV

(5) N 90544202

hexagon socket head bolt with collar / M8X11



differential
 final drive
 oil cooler
 for 4-speed automatic gearbox
 differential / DNA,DNC,DXS,
 final drive / DML,DND,DNE,
 oil cooler / DNF,EQG,EQB,
 for 4-speed automatic gearbox / EQD,EQE,EQF,
 / EQJ

1 098409121G
 differential housing / ball:96mm / DNA,DNC,DXS,
 / DML,DND,DNE,
 / DNF,EQG,EQB,
 / EQD,EQE,EQF

(1) 01P409121A
 differential housing / ball:96mm / EQJ
 G >> 21 04 2

(1) 01P409121
 differential housing / ball:96mm / EQJ
 G 22 04 2>>

2 098409151M
 output gear / Z=72 / DML,DNA,EQB,
 / EQJ

(2) 098409151N
 output gear / Z=73 / DND,DNC,EQD

(2) 098409151L
 output gear / Z=71 / DNF,EQF

(2) 098409151K
 output gear / Z=70 / DNE,DXS,EQE,
 / EQG

3 098409135
 hexagonal head bolt / M10X1X35

4 099409170
 housing-differential pinion / ball:96mm / DNA,DNC,DXS,
 / DML,DND,DNE,
 / DNF,EQG,EQB,
 / EQD,EQE,EQF

(4) 01P409170A
 housing-differential pinion / ball:96mm / EQJ
 G >> 03 12 0

(4) 01P409249A
 thrust washer / ball:96mm / EQJ
 differential side gear
 G 04 12 0>> 21 04 2

(4) 01P409249B
 thrust washer / EQJ
 differential side gear
 G 22 04 2>>

(4) 01P409250
 thrust washer / ball:96mm / EQJ
 differential pinion
 G 04 12 0>>

5 02G498081
 1 set: differential pinions / ball:96mm / DNA,DNC,DXS,
 / DML,DND,DNE,
 / DNF,EQG,EQB,
 / EQD,EQE,EQF

(5) 01P498081
 1 set: differential pinions / ball:96mm / EQJ
 G 02 05 0>> 21 04 2

(5) 01P498081A
 1 set: differential pinions / ball:96mm / EQJ
 G 22 04 2>>

6 02G409177
 shaft - differential pinion

7 N 90538701
 spring sleeve / 5,4X28,5

8 012409413
 snap ring / DNA,DNC,DXS,
 / DML,DND,DNE,
 / DNF,EQG,EQB,
 / EQD,EQE,EQF

(8) 01P409413
 snap ring / EQJ

9 002517185A
 taper roller bearing / 46X75X18

(10) 098409321B
 taper roller bearing / 80X125X29

11 02B409210
 adjusting washer / 0,65

(11) 02B409210A
 adjusting washer / 0,7

(11) 02B409210B
 adjusting washer / 0,75

(11) 02B409210C
 adjusting washer / 0,8

(11) 02B409210D
 adjusting washer / 0,85

(11) 02B409210E
 adjusting washer / 0,9

(11) 02B409210F
 adjusting washer / 0,95

(11) 02B409210G
 adjusting washer / 1

(11) 02B409210H
 adjusting washer / 1,05

(11) 02B409210J
 adjusting washer / 1,1

(11) 02B409210K
 adjusting washer / 1,15

(11) 02B409210L
 adjusting washer / 1,2

(11) 02B409210M
 adjusting washer / 1,25

12 016409399B
 oil seal / 45X60X8

13 02B409355B
 flange shaft / 108MM
 G >> 01 05 0 / DNA,DNC,DXS,
 / left / DML,DND,DNE,
 / DNF,EQG,EQB,
 / EQD,EQE,EQF

13 02G409355
 flange shaft
 G 01 05 0>> / 108MM / EQB,EQD,EQE,
 / left / EQF,EQG

(13) 01P409355B
 flange shaft / 112MM / EQJ
 / left

14 02B409187
 speedometer drive gear / Z=20 / DNA,DNC,DXS,
 / DML,DND,DNE,
 / DNF,EQG,EQB,
 / EQD,EQE,EQF

(14) 01P409187
 speedometer drive gear / Z=20 / EQJ

15 N 10120001
 securing ring / A38X1,5 / DNA,DNC,DXS,
 / DML,DND,DNE,
 / DNF,EQG,EQB,
 / EQD,EQE,EQF

(15) N 0237302
 securing ring / A40X1,5 / EQJ

16 02B409197
 speedometer pinion / Z=12

17 014409193A
 guide for pinion

20 099409333
 housing

21 N 90441601
 hexagonal head bolt / M6X32

22 098321183
 round seal / 85X2,5

23 099409345A
 stub shaft / DNA,DNC,DXS,
 / DML,DND,DNE,
 / DNF,EQG,EQB,
 / EQD,EQE,EQF

(23) 01P409352A
 stub shaft / EQJ

24 099409406A
 cover panel / DNA,DNC,DXS,
 / DML,DND,DNE,
 / DNF,EQG,EQB,
 / EQD,EQE,EQF

(24) 01P409406
 cover panel / EQJ

25 068145119
 round seal / 36X42X3 / DNA,DNC,DXS,
 / DML,DND,DNE,
 / DNF,EQG,EQB,
 / EQD,EQE,EQF

(25) 01P409731
 seal / 44X3 / EQJ

26 02G409319
 cover panel / DNA,DNC,DXS,
 / DML,DND,DNE,
 / DNF,EQG,EQB,
 / EQD,EQE,EQF

(26) 02G409319A
 cover panel / EQJ

27 N 0236441
 securing ring / A30X1,5 / DNA,DNC,DXS,
 / DML,DND,DNE,
 / DNF,EQG,EQB,
 / EQD,EQE,EQF

(27) N 0123761
 securing ring / 35X1,5 / EQJ

28 02G409335A
 bearing / DNA,DNC,DXS,
 / DML,DND,DNE,
 / DNF,EQG,EQB,
 / EQD,EQE,EQF

(28) 02G409335B
 bearing / EQJ

29 02G409356C
 flange shaft / 108MM / DNA,DNC,DXS,
 / right / DML,DND,DNE,
 / DNF,EQG,EQB,
 / EQD,EQE,EQF

(29) 01P409356A
 flange shaft / 112MM / EQJ
 / right

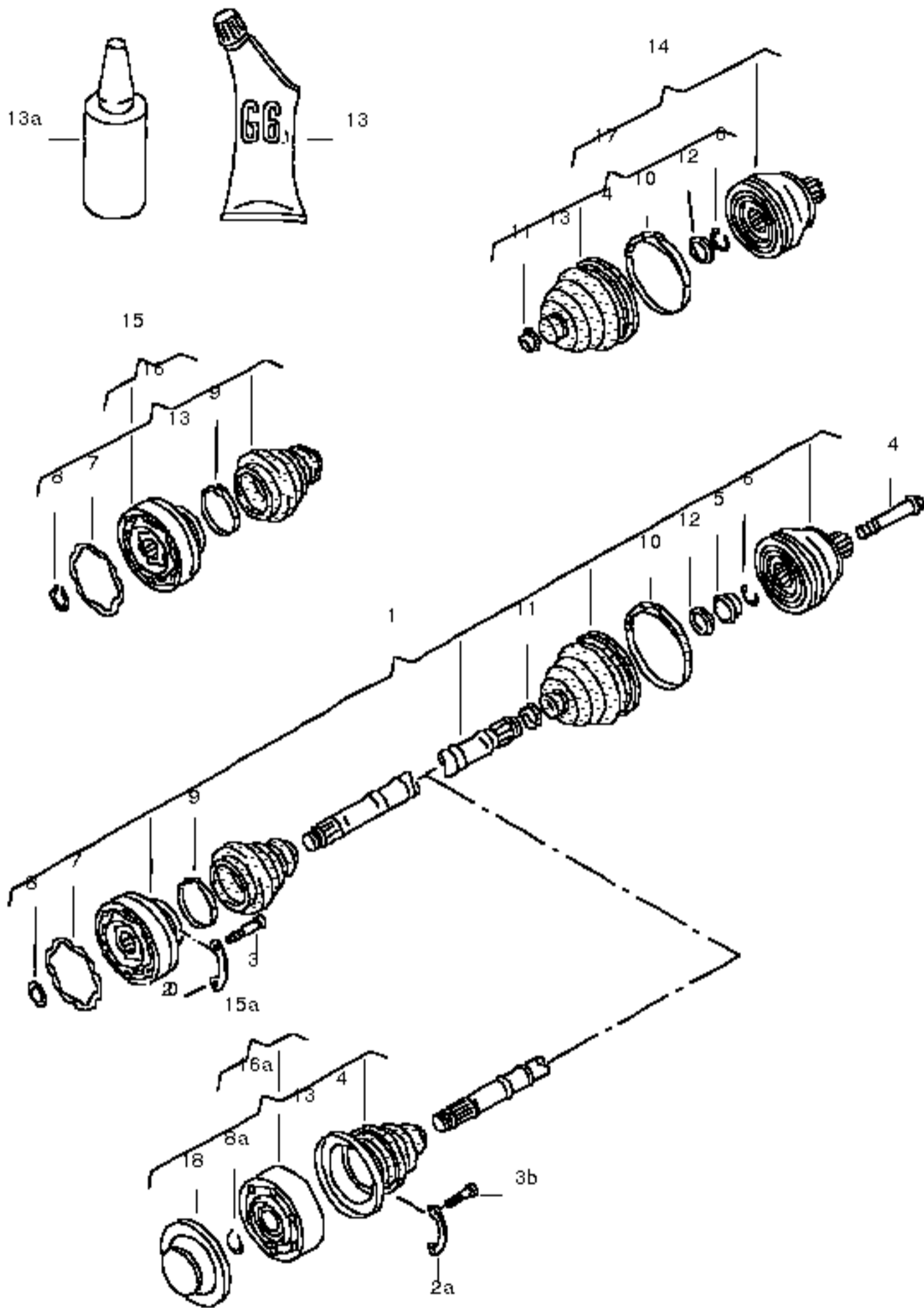
30 096409061E
 oil cooler

31 096409067A
 banto bolt

32 089409069
 round seal / 13X2,5

33 096409069A
 round seal / 13X3,5
 output shaft
 see illustration: / 323-70

- G 052128A1
 sealing grease for radial shaft oil seal / 50G



drive shaft / AMV
for 4-speed automatic gearbox

1 7D0407271B
drive shaft / left

(1) 7D0407451AX
drive shaft / left

(1) 7D0407271A
drive shaft / right

(1) 7D0407451 X
drive shaft / right

2A 7D0407357
spacer plate / front

3A N 10527901
bolt, with multi-spilne socket head / M12X1,5X50

4 N 90625101
hexagon head bolt (combi) / M16X1,5X87

5 441407295
thrust ring

6 441407297
securing ring / outer

7 8D0407309A
sealing washer / 94MM

8 N 0123741
securing ring / 28X1,5

8A N 0123751
securing ring / 30X1,5

9 N 10233802
clamp / 74X7X0,6

10 N 90630701
clamp / 102,5X10X1

11 N 90630801
clamp / 36X10

12 441407287
concave spring washer

13 G 052133A3
high temperature grease / 120G

13A D 454300A2
sealant / 125G

14 7D0498099
wheel shaft outer with joint and attachment parts

(14) 7D0498099 X
wheel shaft outer with joint and attachment parts

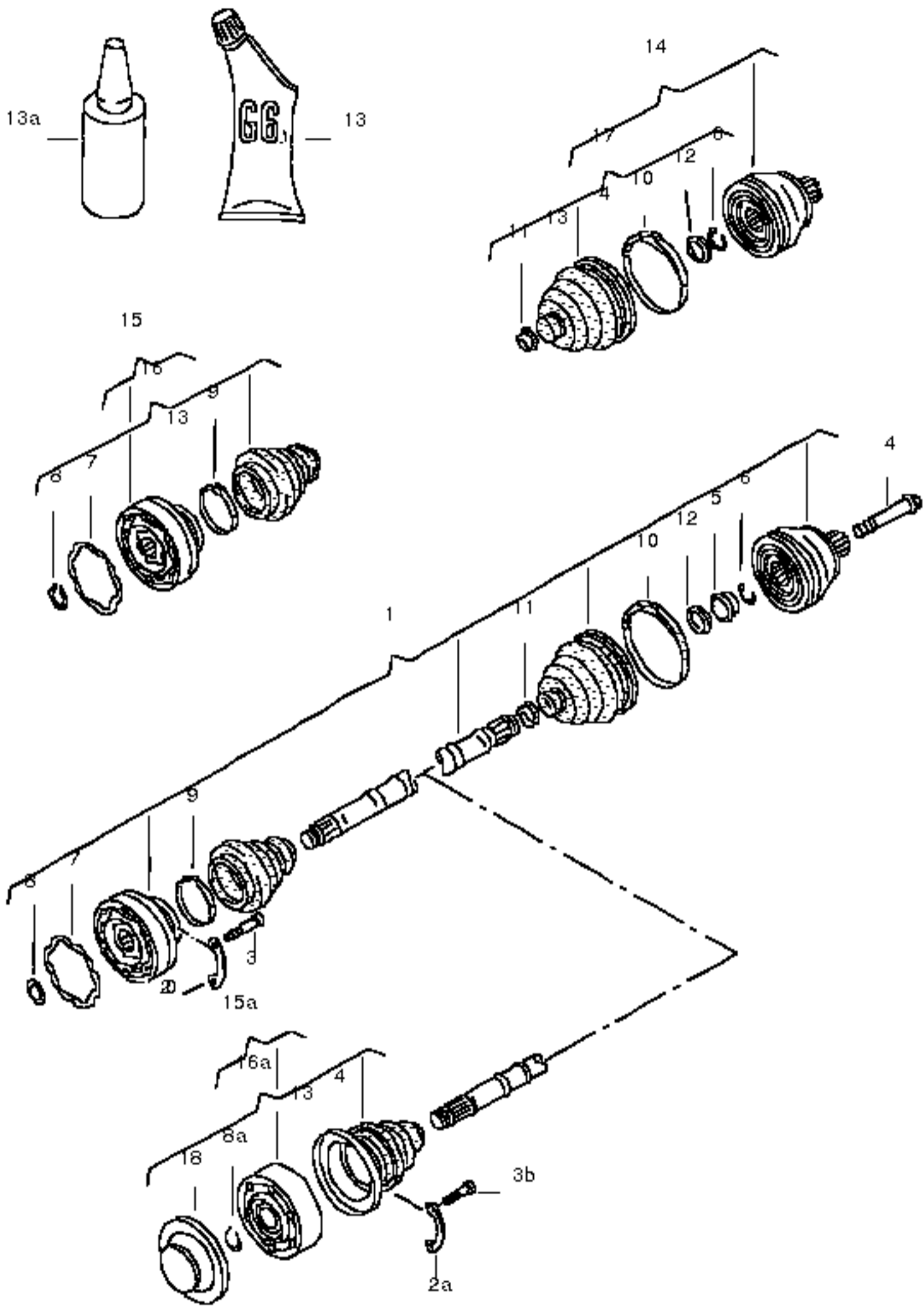
15A 7D0498103
constant velocity joint with boot, attachment parts and grease / inner

(15A) 7D0498103 X
constant velocity joint with boot, attachment parts and grease / inner

16A 7D0498201
joint protective boot with assembly items and grease / inner

17 701498203A
joint protective boot with assembly items and grease / outer

18 7D0407275
locking cover / inner



drive shaft / AAC,AET,APL,
 for manual gearbox / AVT,AEU,AES,
 / ABL,AJA,AJT,
 / AYY,ACV,AYC

1 701407271M
 drive shaft

(1) 701407451 X
 drive shaft

(1) 701407271P
 drive shaft
 for models with anti-lock brake system -abs-

(1) 701407451AX
 drive shaft
 for models with anti-lock brake system -abs-

2 701407357
 spacer plate / front

3 N 90668201
 bolt, with multi-spilne socket head / M10X48

4 N 90625101
 hexagon head bolt (combi) / M16X1,5X87

5 441407295
 thrust ring

6 441407297
 securing ring / outer

7 8D0407309A
 sealing washer / 94MM

8 N 0123741
 securing ring / 28X1,5

9 N 10233802
 clamp / 74X7X0,6

10 N 90630701
 clamp / 102,5X10X1

11 N 90630801
 clamp / 36X10

12 441407287
 concave spring washer

13 G 052133A3
 high temperature grease / 120G

14 701498099B
 wheel shaft outer with joint and attachment parts

(14) 701498099BX
 wheel shaft outer with joint and attachment parts

(14) 701498099C
 wheel shaft outer with joint and attachment parts

for models with anti-lock brake system -abs-

(14) 701498099CX
 wheel shaft outer with joint and attachment parts

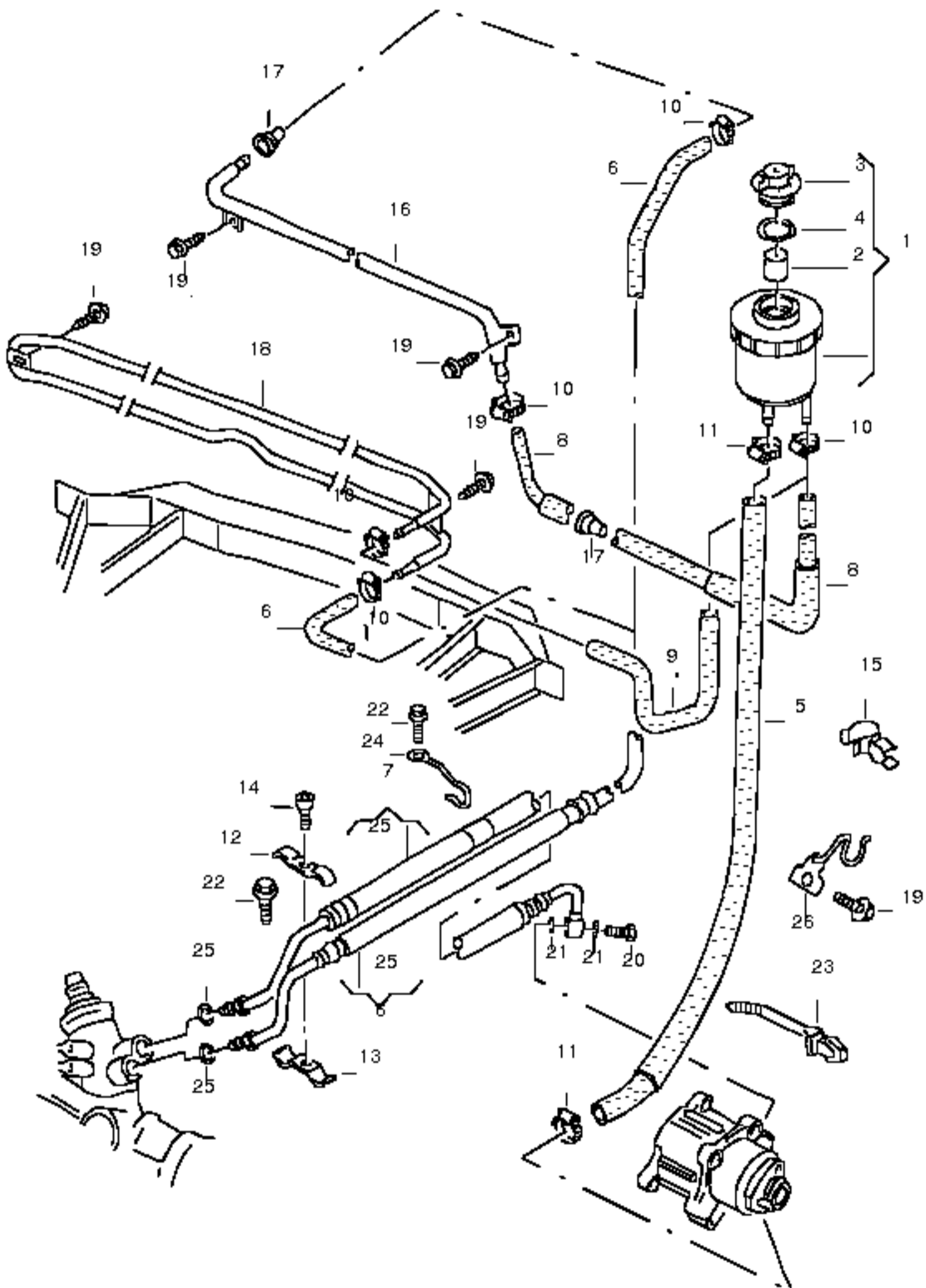
for models with anti-lock brake system -abs-

15 701498103A
 constant velocity joint with boot, attachment parts and grease / inner

(15) 701498103AX
 constant velocity joint with boot, attachment parts and grease / inner

16 701498201
 joint protective boot with assembly items and grease / inner

17 701498203A
 joint protective boot with assembly items and grease / outer



oil container and connection parts, hoses / 4-cylinder;
/ 6 cylinder

1 701422371A
oil container

2 431422360A
plug

3 701422375
locking cover

4 N 90176301
seal / 38X2,5N

5 701422881G
suction hose

6 701422891L
return hose / lhd

(6) 7D2422891E
return hose / rhd

(6) 7D2422891E
return hose / rhd / 6 cylinder
also use: / N 103 399 01

7 7D1422893D
flexible hose from vane pump to steering gear / lhd

for vane type pump: / ZF

F >> 70-1H090 864

F >> 70-1X087 116

(7) 7D1422893K
flexible hose from vane pump to steering gear / lhd

for vane type pump: / KAYABA

F 70-1H090 865>>

F 70-1X087 117>>

(7) 7D1422893G
flexible hose from vane pump to steering gear / lhd / PR-AC1:
/ 6 cylinder:
/ AES

(7) 7D1422893J
flexible hose from vane pump to steering gear / 6 cylinder:
/ AMV

(7) 7D2422893D
flexible hose from vane pump to steering gear / rhd

for vane type pump: / ZF

F >> 70-1-084 000*

(7) 7D2422893K
flexible hose from vane pump to steering gear / rhd

for vane type pump: / KAYABA

F 70-1-084 001>>*

(7) 7D2422893H
flexible hose from vane pump to steering gear / rhd / PR-AC1:
/ 6 cylinder:
/ AES

(7) 7D2422893J
flexible hose from vane pump to steering gear / rhd / 6 cylinder:
/ AMV

8 7D0422895A
return hose / AC0

9 7D0422895C
return hose / PR-AC1

10 N 10098601
spring-type clip

11 N 90561801
pipe clip / AL16-28

12 701422907
dual clip-upper part

13 701422908
dual clip-lower part

14 N 0147018
allen key head bolt / M6X12MK

15 701422921
retainer

16 701422091A
cooling pipe / PR-AC0

17 701422095
grommet / PR-AC0
cooling pipe

18 701422896A
cooling pipe
F >> 70-Y-097 000* / PR-AC1
F >> 70-YH080 930

(18) 7D0422896
cooling pipe
F 70-Y-097 001>>* / PR-AC1
F 70-YH080 931>>

(18) 7D0422896A
cooling pipe / PR-AC1/
/ 6 cylinder:
/ AMV,AXK

19 N 90481701
hexagon head bolt (combi) / M8X20

20 1J0422269B
banto bolt / M16X1,5

21 N 0138486
seal / A16X22

22 N 01021226
hexagonal head bolt / M6X12

23 N 90666101
cable tie / 4,5X200

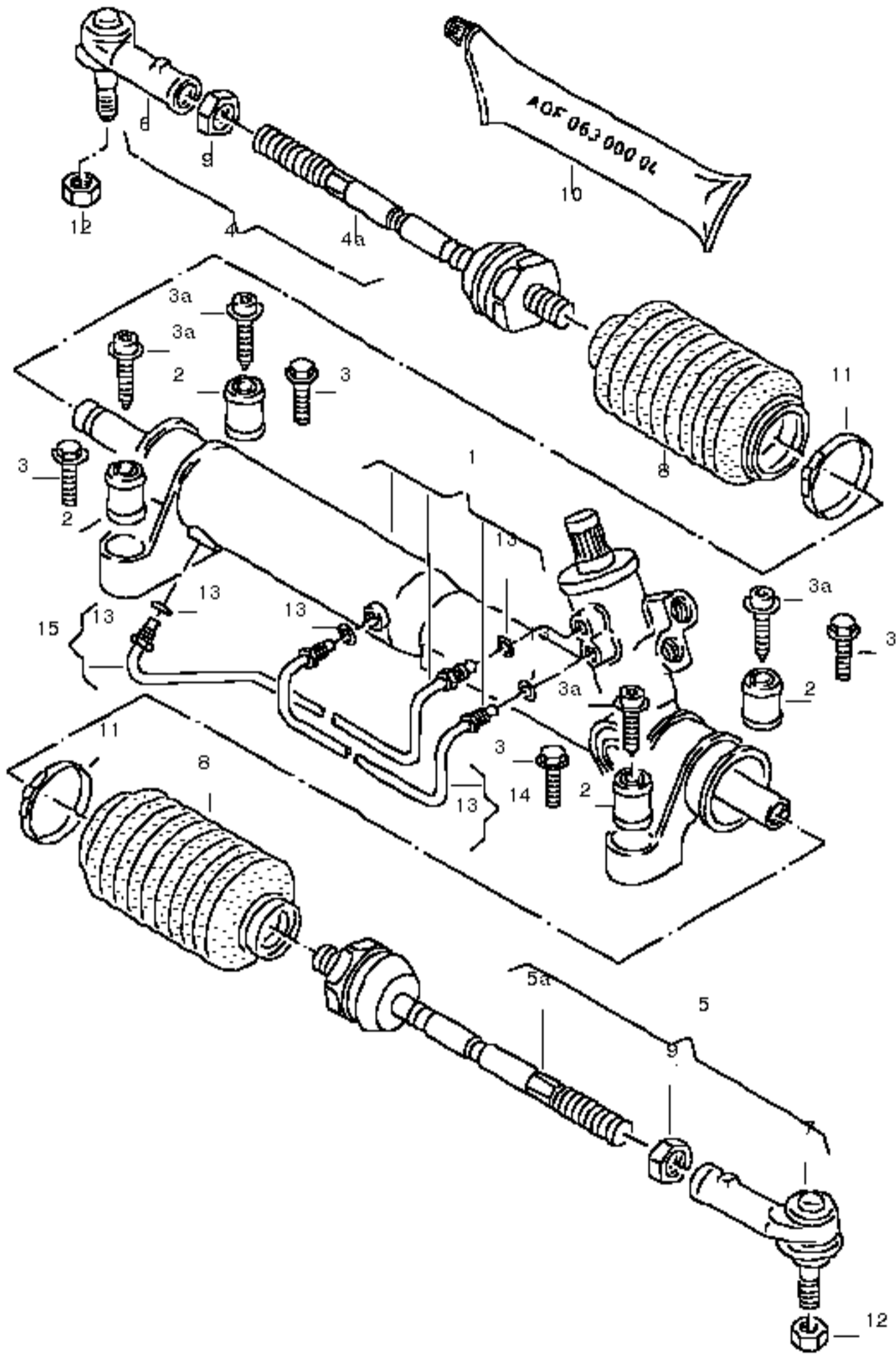
24 7D0422925
retainer / 4 cylinder
return hose

(24) 7D0422925A
retainer / 6 cylinder
suction hose

(24) 701422925B
retainer / PR-AC1:
return hose / 6 cylinder

25 7M0422999
round seal

26 701422933
retainer / 6 cylinder
suction hose



steering box / power steering

tie rod

F >> 70-2-049 000*

F >> 70-2X042 000*

1 7D1422061B

steering box

F >> 70-Y-200 000* / lhd

(1) 701422061JX

steering box

F >> 70-Y-200 000* / lhd

(1) 7D1422061B

steering box

F 70-1-000 001>>* / lhd

(1) 7D1422061BX

steering box

F 70-1-000 001>>* / lhd

(1) 7D1422061A

steering box

F >> 70-Y-200 000* / lhd / AHY,AXG

(1) 7D1422061 X

steering box

F >> 70-Y-200 000* / lhd / AHY,AXG

(1) 7D1422061A

steering box

F 70-1-000 001>>* / lhd / AHY,AXG

(1) 7D1422061AX

steering box

F 70-1-000 001>>* / lhd / AHY,AXG

(1) 7D1422061A

steering box / lhd / AMV

(1) 7D1422061AX

steering box / lhd / AMV

(1) 7D2422061B

steering box

F >> 70-Y-200 000* / rhd

(1) 702422061QX

steering box

F >> 70-Y-200 000* / rhd

(1) 7D2422061B

steering box

F 70-1-000 001>>* / rhd

(1) 7D2422061BX

steering box

F 70-1-000 001>>* / rhd

(1) 7D2422061A

steering box / rhd / AMV

(1) 7D2422061AX

steering box / rhd / AMV

2 701419081A

rubber mounting

(3A) N 90626801

hexagon head bolt (combi) / M10X60

4 702419803D

tie rod / left

4A 701419810B

adjusting piece / left

5 701419804F

tie rod / right

5A 701419810B

adjusting piece / right

6 701419811E

tie rod end / left

7 701419812D

tie rod end / right

8 7D0419831

boot

9 N 01116415

hexagonal nut / M16X1,5X8

10 AOF06300004

steering grease / 250G

11 N 10267501

clamp / 64X7X0,6

(12) N 10028908

hexagon nut, self-locking / M12X1,5

13 701422241

round seal

14 701422141

pressure pipe / lower lhd

(14) 702422141

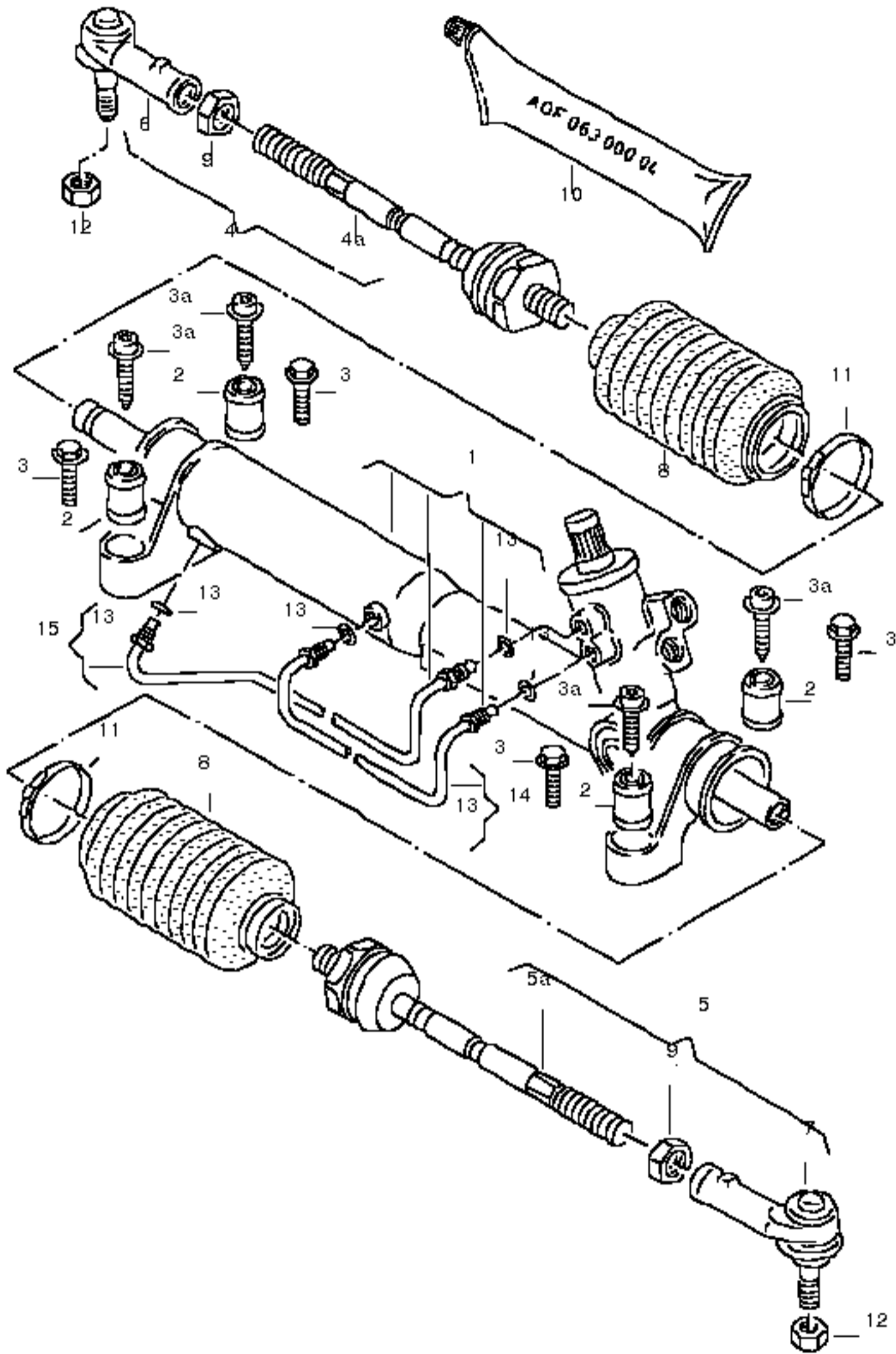
pressure pipe / lower rhd

15 701422142

pressure pipe / upper lhd

(15) 702422142

pressure pipe / upper rhd



steering box / power steering

tie rod

F 70-2-049 001>>*

F 70-2X042 001>>*

1 7D1422061B

steering box / lhd / PR-2E2

(1) 7D1422061BX

steering box / lhd / PR-2E2

(

1) 7D1422061A

steering box / lhd / PR-2E3

(1) 7D1422061AX

steering box / lhd / PR-2E3

(1) 7D2422061B

steering box / rhd / PR-2E2

(1) 7D2422061BX

steering box / rhd / PR-2E2

(1) 7D2422061A

steering box / rhd / PR-2E3

(1) 7D2422061AX

steering box / rhd / PR-2E3

2 701419081A

rubber mounting

(3A) N 90626801

hexagon head bolt (combi) / M10X60

4 702419803D

tie rod / left

4A 701419810B

adjusting piece / left

5 701419804F

tie rod / right

5A 701419810B

adjusting piece / right

6 701419811E

tie rod end / left

7 701419812D

tie rod end / right

8 7D0419831

boot

9 N 01116415

hexagonal nut / M16X1,5X8

10 AOF06300004

steering grease / 250G

11 N 10267501

clamp / 64X7X0,6

12 N 10028908

hexagon nut, self-locking / M12X1,5

13 701422241

round seal

14 701422141

pressure pipe / lower lhd

(14) 702422141

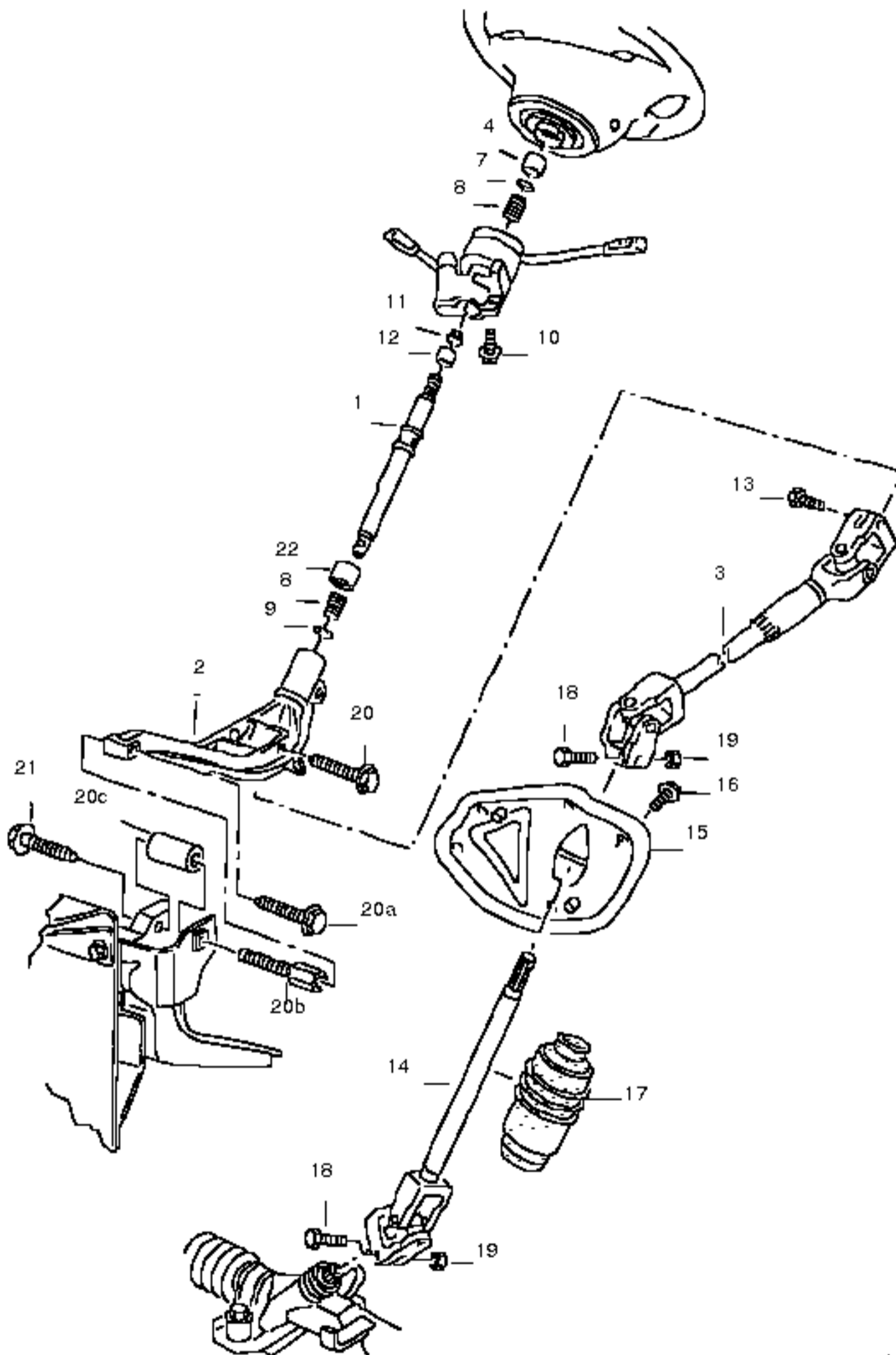
pressure pipe / lower rhd

15 701422142

pressure pipe / upper lhd

(15) 702422142

pressure pipe / upper rhd



steering tube
steering column tube
F >> 70-X-001 996*

1 701419505F
steering tube

(2) 7D1419653C
steering column tube / lhd

(2) 7D2419653
steering column tube / rhd

3 701419951B
intermediate steering shaft / upper lhd

(3) 702419951C
intermediate steering shaft / upper rhd

4 701419331
spacer bush

7 N 90454201
clamping washer / 22

8 481419343B
pressure spring / 20

9 N 90074201
washer / 18X28X1,5

10 211415549B
sheer bolt

11 701419341A
support ring
also use: / 701 419 331 B

(12) 701419331B
spacer bush
also use: / 701 419 341 A

13 N 0102336
hexagonal head bolt / M8X28

14 701422751B
intermediate steering shaft / lower

(15) 701419531E
bearing plate / lhd / manual gearbox

(15) 701419531F
bearing plate / lhd / automatic

(15) 702419531F
bearing plate / rhd

16 N 10063202
hexagon head bolt c/w shoulder / M8X20

17 701419069
boot

18 N 0102478
hexagonal head bolt / M8X35

19 N 0221464
hexagon nut, self-locking / VM8

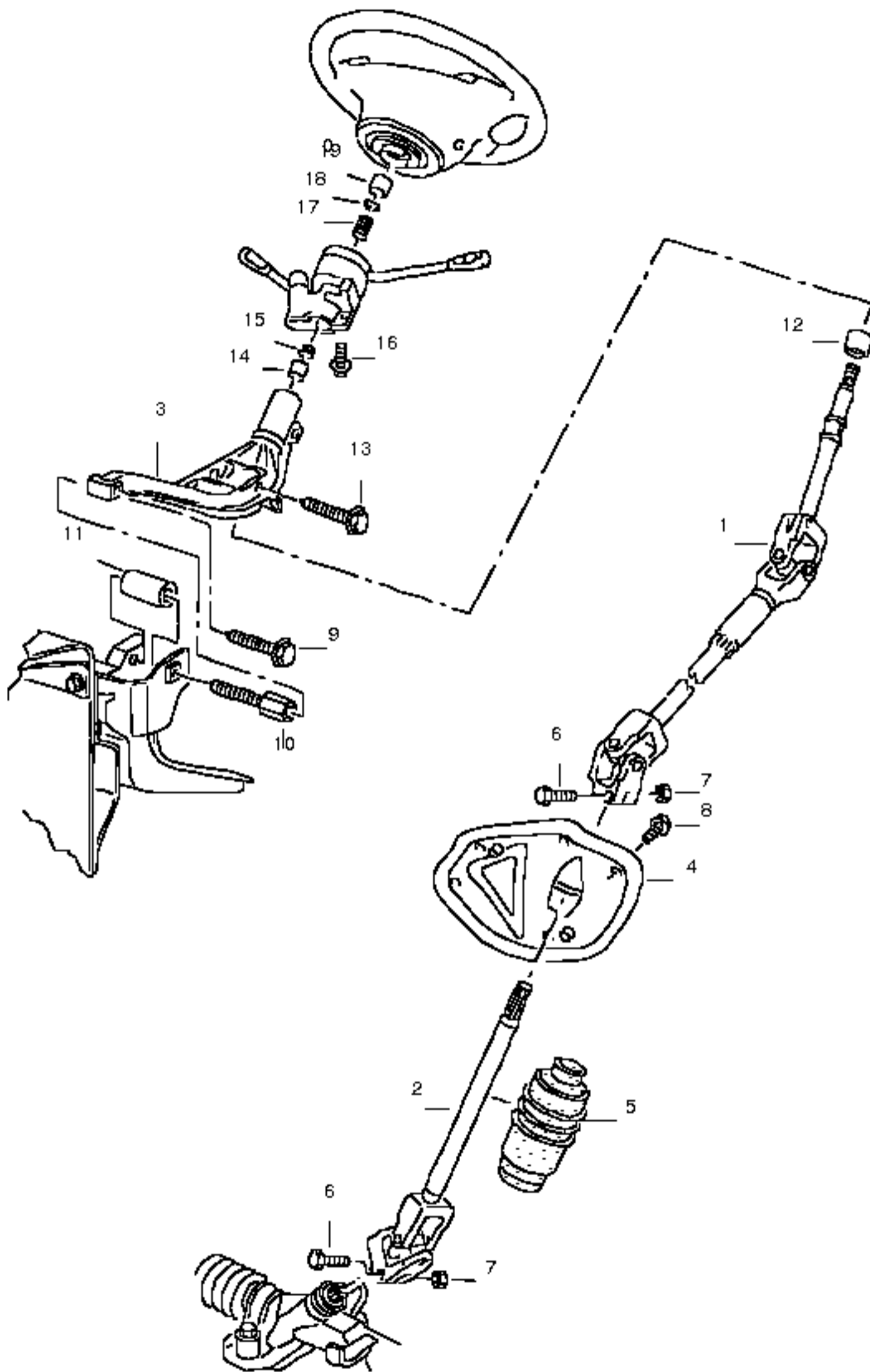
20 N 90666401
hexagonal head bolt / BM10X100

20A N 10102202
hexagonal head bolt / BM8X60
/ lhd

20B 701419610
spacer bolt / lhd

20C 701419331A
spacer bush / lhd

22 701419517E
ball bearing



steering tube

steering column tube

F 70-X-001 997>>*

(1) 7D1419951B

steering tube / lhd

(1) 7D2419951B

steering tube / rhd

2 701422751B

intermediate steering shaft / lower

for power steering

(3) 7D1419653G

steering column tube / lhd

(3) 7D2419653C

steering column tube / rhd

4 701419531E

bearing plate / lhd / manual gearbox

(4) 701419531F

bearing plate

F >> 70-Y-200 000* / lhd / automatic

F >> 70-1H001 364

(4) 7D1419531B

bearing plate

F 70-1-000 001>>* / lhd / automatic

F 70-1H001 365>>

(4) 702419531F

bearing plate / rhd

5 701419069

boot

6 N 0102478

hexagonal head bolt / M8X35

7 N 0221464

hexagon nut, self-locking / VM8

8 N 10063202

hexagon head bolt c/w shoulder / M8X20

9 N 10102202

hexagonal head bolt / BM8X60

10 701419610

spacer bolt / lhd

11 701419331A

spacer bush

12 7D0419517B

steering column bearing

13 N 90666401

hexagonal head bolt / BM10X100

14 701419331B

spacer bush

15 701419341A

support ring

16 211415549B

sheer bolt

17 481419343B

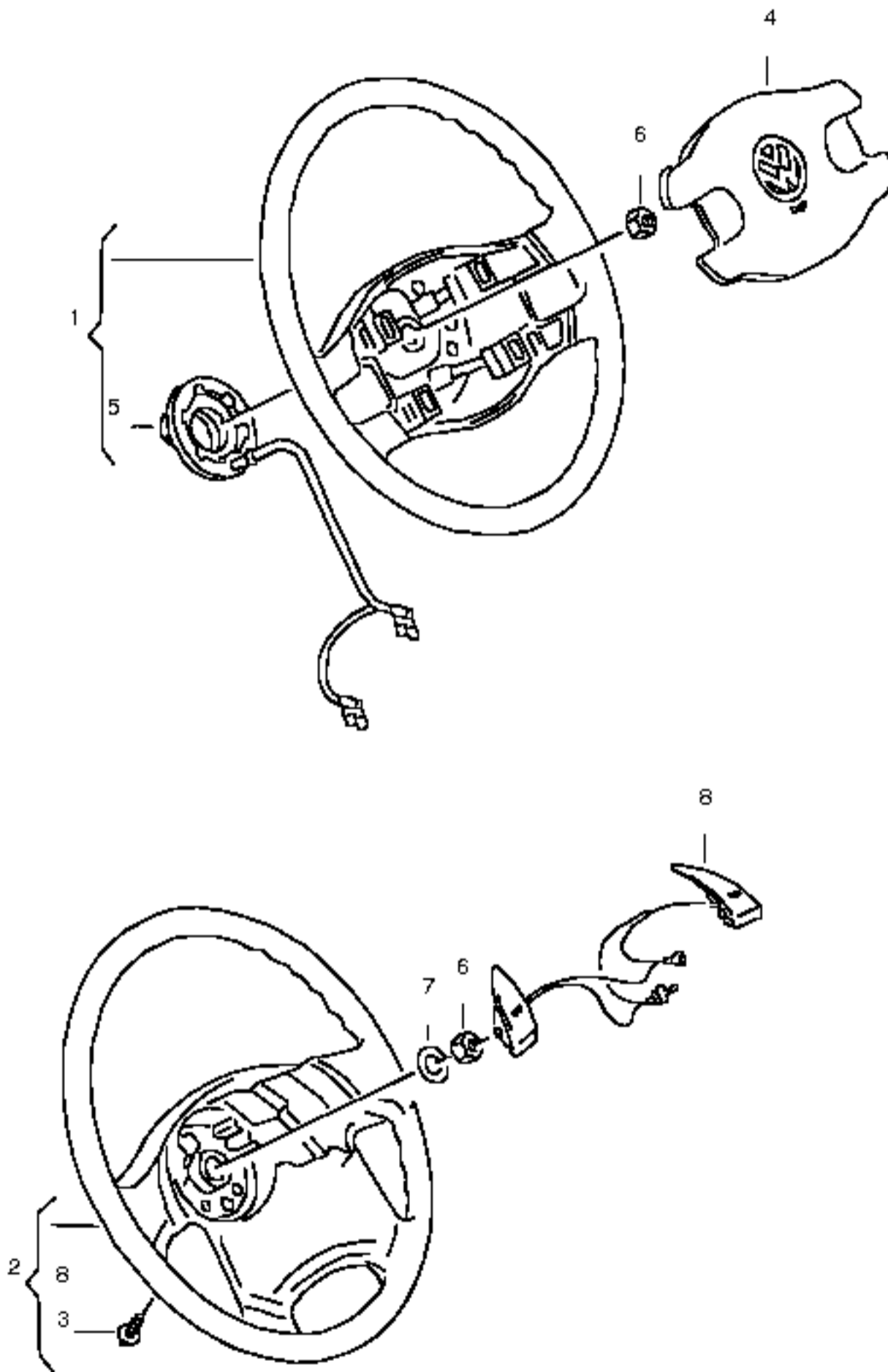
pressure spring / 20

18 N 90454201

clamping washer / 22

19 701419331B

spacer bush



steering wheel

F >> 70-XH051 759

1 7D0419091A

steering wheel

7D0419091A 01C satin black

2 701419091B

steering wheel

for models with airbag

701419091B 01C satin black

(2) 7D0419091B

steering wheel (leather) / 380MM

for models with airbag

7D0419091B E74 black

3 N 90614801

hexagon socket head bolt with collar / M6X21,5

for models with airbag

4 7D0419669A

horn button

7D0419669A 01C satin black

for models with airbag

see illustration: / 880-00

5 7D0419661

return ring with slip ring / 125MM

return ring with slip ring

for steering wheel: / 701 419 091 B

see illustration: / 959-11

6 N 01116415

hexagonal nut / M16X1,5X8

7 N 90448501

washer / 16,2X34,2X3

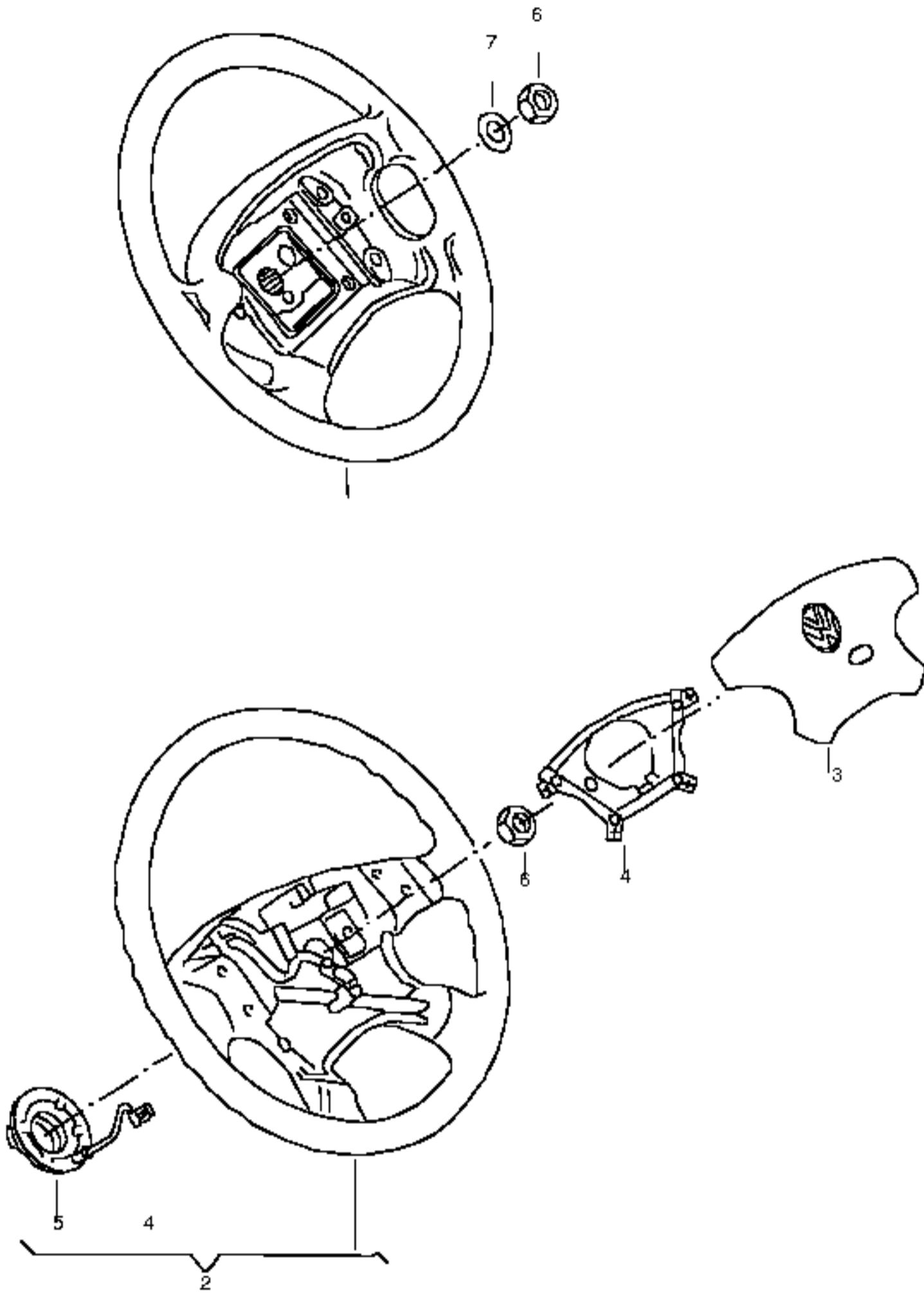
for models with airbag

8 701419658

1 set of horn buttons

for models with airbag

701419658 01C satin black



steering wheel
F 70-XH051 760>>

1 7D0419091J
steering wheel
for models with airbag
7D0419091J 01C satin black

(1) 7D0419091P
steering wheel
for vehicles with airbag and electronic stability programme -esp-
7D0419091P 01C satin black

(1) 7D0419091K
steering wheel (leather)
for models with airbag
F >> 70-1H109 445
7D0419091K E74 black
7D0419091K KMY black/flannel grey

(1) 7D0419091T
steering wheel (leather)
for models with airbag
F 70-1H109 446>>
7D0419091T E74 black
7D0419091T KMY black/flannel grey / ATLANTIS
7D0419091T PEP black/red
7D0419091T PEQ black/blue

(1) 7D0419091Q
steering wheel (leather)
for vehicles with airbag and electronic stability programme -esp-
F >> 70-1H118 194
7D0419091Q E74 black
7D0419091Q KMY black/flannel grey

(1) 7D0419091AA
steering wheel (leather)
for vehicles with airbag and electronic stability programme -esp-
F 70-1H118 195>>
7D0419091AAE74 black
7D0419091AAKMY black/flannel grey
7D0419091AAPEP black/red
7D0419091AAPEQ black/blue

2 7D0419091L
steering wheel
7D0419091L 01C satin black

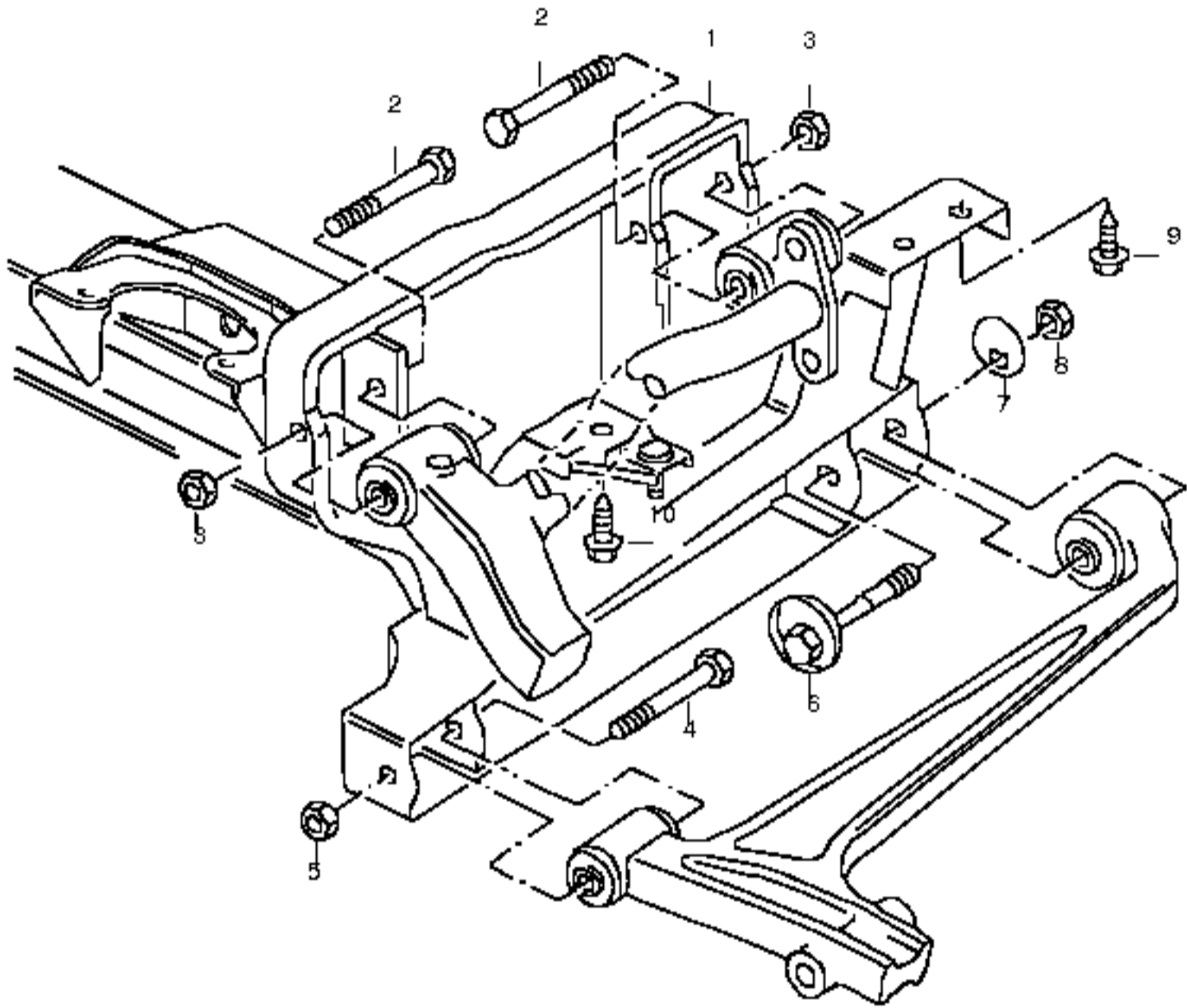
3 7D0419669E
horn button
7D0419669E 01C satin black

4 1H0419529
carrier panel
for steering wheel: / 7D0 419 091 L
/ (01C)
FUER FZ. OHNE AIRBAG

5 1H0419660A
return ring with slip ring

(6) N 01116415
hexagonal nut / M16X1,5X8

7 N 90448501
washer / 16,2X34,2X3



sub-frame

(1) 7D0499031B

sub-frame

also use: / 701 407 397 C

use if required: / 074 253 463 B / AHY,AXG

(1) 7D0499031B

sub-frame / AMV

also use: / 701 407 397 C

2 N 10170801

hexagonal head bolt / M12X1,5X80

(3) N 10028908

hexagon nut, self-locking / M12X1,5

4 N 90534002

hexagonal head bolt / M14X1,5X82

(5) N 10140904

hexagonal nut / M14X1,5

6 701407397C

eccentric screw / M14X1,5X90

7 701407399A

eccentric washer / 14MM

(8) N 10140904

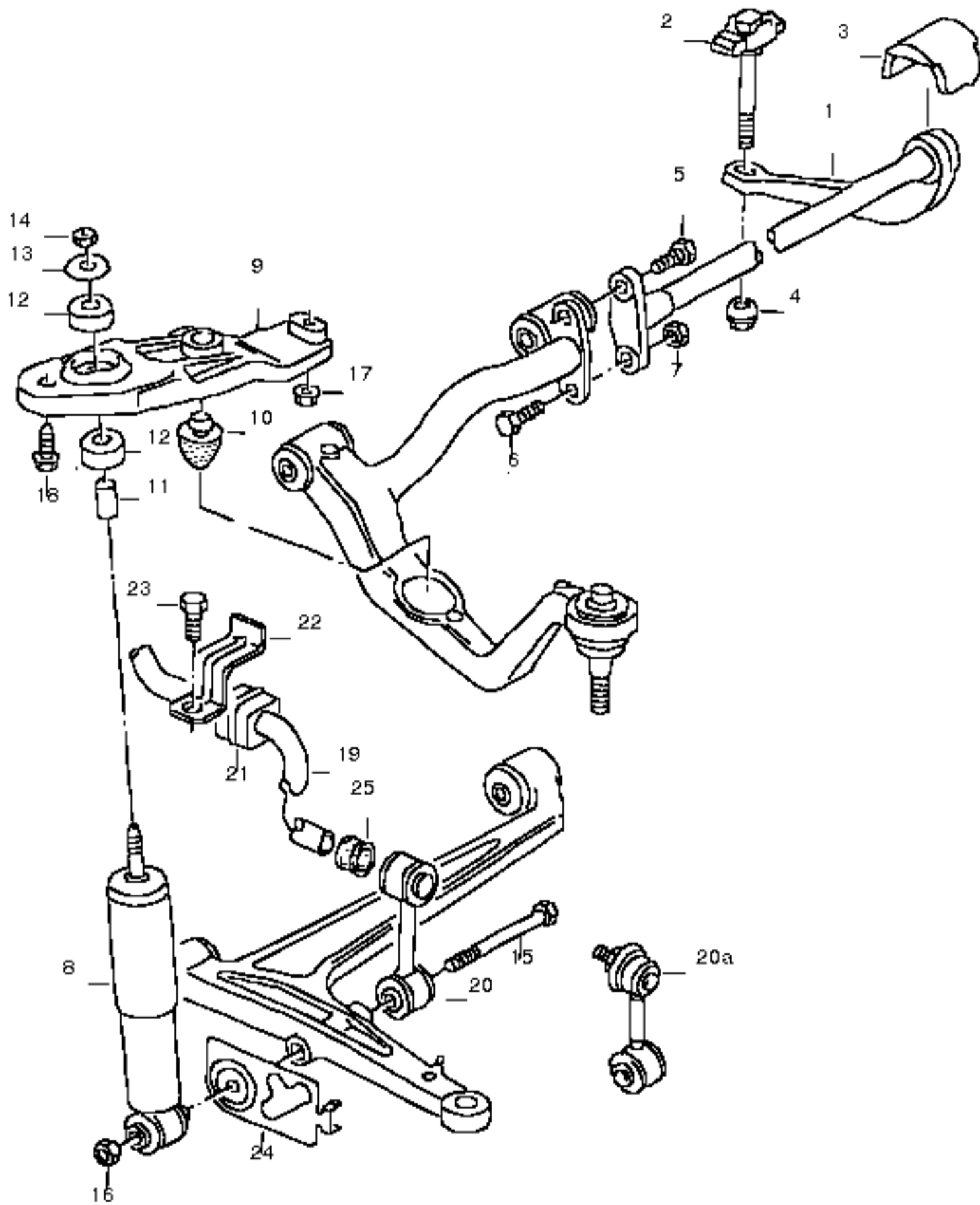
hexagonal nut / M14X1,5

9 N 90599201

hexagon head bolt (combi) / M12X1,5X35

10 N 90599001

hexagon head bolt (combi) / M14X1,5X45



suspension / front / AAC,AET,APL,
 stabilizer / AVT,AEU,AMV,
 / ABL,AJA,AJT,
 / ACV,AUF,AHY,
 / AXG,AYC,AES,
 / AYY

1 701411103G
 torsion spring rod / left / PR-1BA/1P0:
 marked with: / green / deliv. van,
 for vehicles with payload of: / 800KG / kombi van
 for models with wheelbase: / 2920MM / bus
 / MULTIVAN
 / CARAVELLE

(1) 701411103G
 torsion spring rod / left / PR-1P7:
 marked with: / green / ambulance
 for vehicles with payload of: / 1000KG
 for models with wheelbase: / 2920MM

(1) 7D0411103
 torsion spring rod / left / PR-E12:
 marked with: / brown / ambulance
 for models with wheelbase: / 2920MM

(1) 7D0411103
 torsion spring rod / left / PR-1P7:
 marked with: / brown / ambulance
 for models with wheelbase: / 3320MM

(1) 7D0411103
 torsion spring rod / left / PR-1BA/1P0:
 marked with: / brown / deliv. van,
 for vehicles with payload of: / 1000KG / kombi van
 for models with wheelbase: / 2920/3320MM / pick-up
 / double cab
 / bus
 / CARAVELLE
 / MULTIVAN

(1) 7D0411103
 torsion spring rod / left / CAMPER
 marked with: / brown
 for vehicles with payload of: / 1000/1200KG
 for models with wheelbase: / 2920/3320MM

(1) 7D0411103
 torsion spring rod / left / PR-E5J:
 marked with: / brown / delivery van
 for models with wheelbase: / 2920MM

(1) 7D0411103A
 torsion spring rod / left / PR-1BU/1P9
 marked with: / grey
 for sports-type running gear

(1) 7D0411103A
 torsion spring rod / left / PR-1P4/
 marked with: / grey / CARAVELLE,
 for vehicles with lowered running gear / MULTIVAN:
 / AMV

(1) 701411103J
 torsion spring rod / left / PR-1BA/1P0:
 marked with: / violet / deliv. van,
 for vehicles with payload of: / 1200KG / kombi van
 for models with wheelbase: / 2920/3320MM / pick-up
 / double cab
 / bus
 / MULTIVAN
 / CARAVELLE

(1) 701411103J
 torsion spring rod / left / PR-1P4:
 marked with: / violet / deliv. van,
 for vehicles with lowered running gear / kombi,
 / bus

(1) 701411103J
 torsion spring rod / left / PR-1P4/
 marked with: / violet / CARAVELLE,
 for vehicles with lowered running gear / MULTIVAN:
 / AAC,AET,APL,
 / AVT,AEU,ABL,
 / AJA,AJT,AYY,
 / ACV,AYC,AUF,
 / AHY,AXG

(1) 701411103J
 torsion spring rod / left / PR-1BJ/1P0:
 marked with: / violet / pick-up
 for vehicles with payload of: / 2000KG / double cab
 for models with wheelbase: / 2920/3320MM

(1) 701411103J
 torsion spring rod / left / PR-1P1,1P3
 marked with: / violet

(1) 701411103J
 torsion spring rod / left / PR-1BJ,1BX/
 marked with: / violet / 1P0,1P3:
 / "MEX", "BR.",
 / "RA."

(1) 701411103J
 torsion spring rod / left / PR-E46:
 marked with: / violet / police

(1) 701411104G
 torsion spring rod / right / PR-1BA/1P0:
 marked with: / green / deliv. van,
 for vehicles with payload of: / 800KG / kombi van
 for models with wheelbase: / 2920MM / bus
 / MULTIVAN
 / CARAVELLE

(1) 701411104G
 torsion spring rod / right / PR-1P7:
 marked with: / green / ambulance
 for vehicles with payload of: / 1000KG
 for models with wheelbase: / 2920MM

(1) 7D0411104
 torsion spring rod / right / PR-E12:
 marked with: / brown / ambulance
 for models with wheelbase: / 2920MM

(1) 7D0411104
 torsion spring rod / right / PR-1P7:
 marked with: / brown / ambulance
 for models with wheelbase: / 3320MM

(1) 7D0411104
 torsion spring rod / right / PR-1BA/1P0:
 marked with: / brown / deliv. van,
 for vehicles with payload of: / 1000KG / kombi van
 for models with wheelbase: / 2920/3320MM / pick-up
 / double cab
 / bus
 / MULTIVAN
 / CARAVELLE

(1) 7D0411104
 torsion spring rod / right / CAMPER
 marked with: / brown
 for vehicles with payload of: / 1000/1200KG
 for models with wheelbase: / 2920/3320MM

(1) 7D0411104
 torsion spring rod / right / PR-E5J:
 marked with: / brown / delivery van
 for models with wheelbase: / 2920MM

(1) 7D0411104A
 torsion spring rod / right / PR-1BU/1P9
 marked with: / grey
 for sports-type running gear

(1) 7D0411104A
 torsion spring rod / right / PR-1P4/
 marked with: / grey / CARAVELLE,
 for vehicles with lowered running gear / MULTIVAN:
 / AMV

(1) 701411104J
 torsion spring rod / right / PR-1BA/1P0:
 marked with: / violet / deliv. van,
 for vehicles with payload of: / 1200KG / kombi van
 for models with wheelbase: / 2920/3320MM / pick-up
 / double cab
 / bus
 / MULTIVAN
 / CARAVELLE

(1) 701411104J
 torsion spring rod / right / PR-1P4:
 marked with: / violet / deliv. van,
 for vehicles with lowered running gear / kombi,
 / bus

(1) 701411104J
 torsion spring rod / right / PR-1P4/
 marked with: / violet / CARAVELLE,
 for vehicles with lowered running gear / MULTIVAN:
 / AAC,AET,APL,
 / AVT,AEU,ABL,
 / AJA,AJT,AYY,
 / ACV,AYC,AUF,
 / AHY,AXG

(1) 701411104J
 torsion spring rod / right / PR-1BJ/1P0:
 marked with: / violet / pick-up
 for vehicles with payload of: / 2000KG / double cab
 for models with wheelbase: / 2920/3320MM

(1) 701411104J
 torsion spring rod / right / PR-1P1,1P3
 marked with: / violet

(1) 701411104J
 torsion spring rod / right / PR-1BJ,1BX/
 marked with: / violet / 1P0,1P3:
 / "MEX", "BR.",
 / "RA."

(1) 701411104J
 torsion spring rod / right / PR-E46:
 marked with: / violet / police

2 701411131D
 mounting

3 701411197
 rubber mounting

4 N 90522601
 ball nut / M18X1,5

5 N 10185201
 hexagonal head bolt / M14X1,5X30

6 N 10212601
 hexagonal head bolt / M14X1,5X42

(7) N 10140904
 hexagonal nut / M14X1,5

(8) 7D0413031B
 shock absorber / heavy-duty / PR-1BJ

(8) 7D0413031B
 shock absorber / heavy-duty / PR-1BJ,1BX:
 / "MEX", "BR.",
 / "RA."

(8) 7D0413031B
 shock absorber / PR-1BU
 for sports-type running gear

(8) 7D0413031C
 gas-filled shock absorber / PR-1P4,1P7

(8) 7D0413031C
 gas-filled shock absorber / PR-E12:
 / ambulance

(8) 7D0413031C
 gas-filled shock absorber / PR-E5J:
 / delivery van

(8) 7D0413031C
 gas-filled shock absorber / PR-E46:
 / police

(8) 7D0413031C
 gas-filled shock absorber / PR-F5H

(8) 7D0413031C
 gas-filled shock absorber / PR-1BA;
 / PR-1BJ/0J4

(9) 701413335C
 mounting for shock absorber / left

(9) 701413336C
 mounting for shock absorber / right

10 701407303
 stop buffer

11 281413439A
 spacer sleeve

12 411513121
 damping ring

13 701413131
 disc

14 N 10140601
 hexagonal nut / M10X1

15 N 10333801
 hexagonal head bolt / M14X1,5X165

(16) N 10140904
 hexagonal nut / M14X1,5

17 N 90226501
 hexagonal nut / M12X1,5

18 N 90599201
 hexagon head bolt (combi) / M12X1,5X35

19 701411025G
 stabilizer / 23,5MM / PR-0AB

(19) 701411025H
 stabilizer / 27MM / PR-0AC

(19) 701411025H
 stabilizer / 27MM / PR-1BU/1P9
 for sports-type running gear

(19) 701411025H
 stabilizer / 27MM / pick-up
 for vehicles with payload of: / 2000KG / double cab

(20) 7D0411049
 link for stabilizer
 for stabiliser: / 23,5MM

20A 701411049B
 link for stabilizer
 for stabiliser: / 27MM

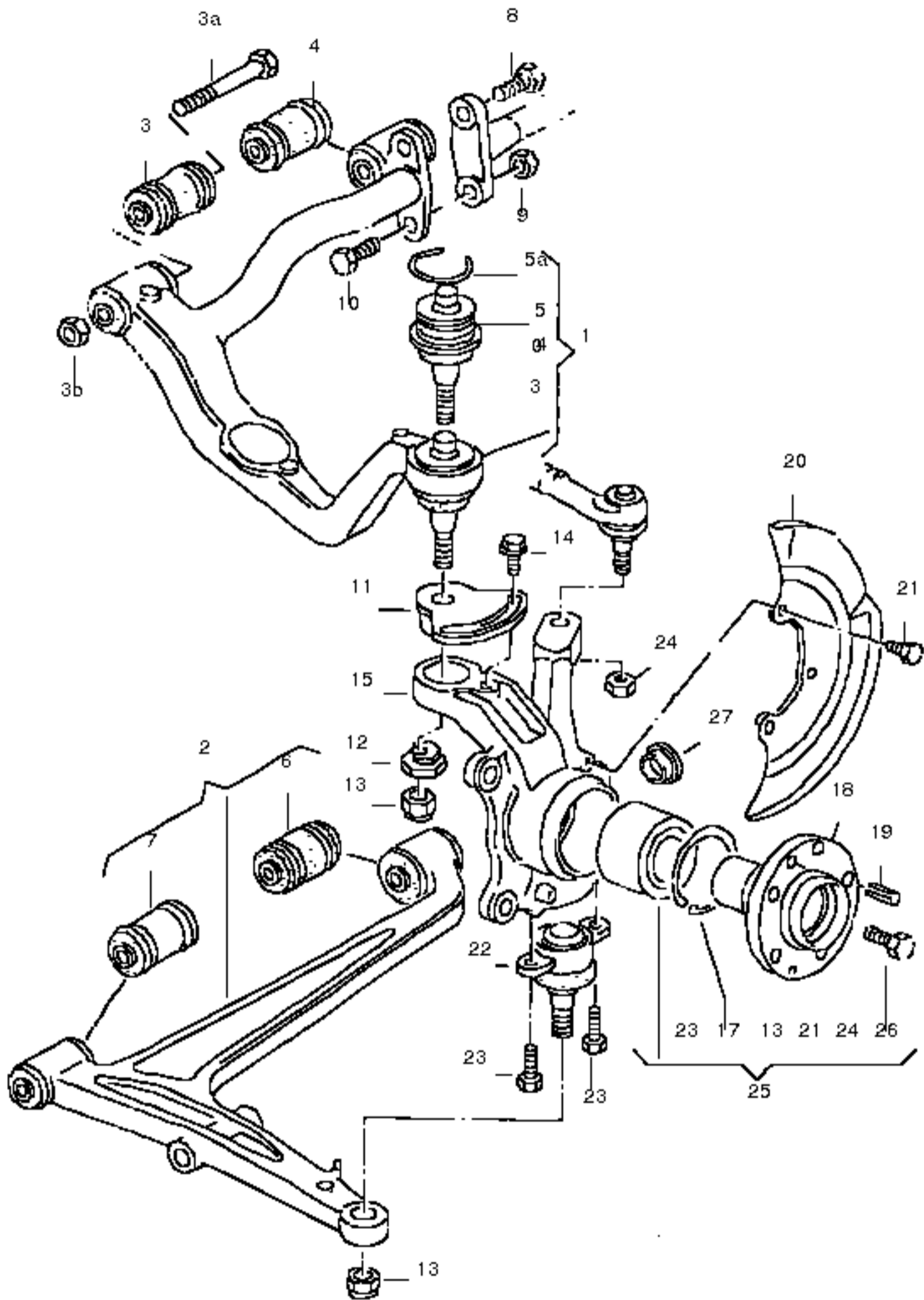
21 7D1411041
 rubber mounting
 for stabiliser: / 23,5MM

(21) 701411041D
 rubber mounting
 for stabiliser: / 27MM

22 701411063B
 pipe clip

(23) N 10246602
 hexagon head bolt c/w shoulder / M10X30-SW16

(25) 7D0411045
 rubber mounting
 for:
 link for stabilizer / 7D0 411 049



track control arm

wheel bearing housing

wheel hub

track control arm / AAC,AET,APL,

wheel bearing housing / AVT,AEU,AMV,

wheel hub / ABL,AJA,ACV,

/ AUF,AJT,AHY,

/ AES,AXG,AYC,

/ AYY

1 701407021C

track control arm / left upper

(1) 701407022C

track control arm / right upper

(2) 7D0407151A

track control arm / left lower

(2) 7D0407152A

track control arm / right lower

3 701407077A

bonded rubber mounting / front

3A N 10170801

hexagonal head bolt / M12X1,5X80

(3B) N 10028908

hexagon nut, self-locking / M12X1,5

4 701407087

bonded rubber mounting / rear

5 701407187B

supporting joint / upper

5A 701407196

snap ring

for:

supporting joint

(6) 7D0407140A

bonded rubber mounting / rear

(7) 7D0407183

bonded rubber mounting / front

8 N 10185201

hexagonal head bolt / M14X1,5X30

(9) N 10140904

hexagonal nut / M14X1,5

10 N 10212601

hexagonal head bolt / M14X1,5X42

11 701407135A

eccentric bush / left

(11) 701407136A

eccentric bush / right

12 701407137

eccentric washer

13 N 0411817

hexagonal nut / M16X1,5

14 N 10216501

hexagon head bolt (combi) / M12X1,5X22-U-

15 7D0407257A

wheel bearing housing / left

F >> 70-2-048 500* / ABL,AAC,AET,

use if required: / 191 501 159 / APL,AVT,AEU,

/ AJA,ACV,AUF,

/ AJT,AYC,AES

(15) 7D0407257A

wheel bearing housing / left

F 70-2-048 501>>* / PR-1LE,1LP,

use if required: / 191 501 159 / 1LU:ABL,AAC,

/ AET,AVT,AEU,

/ AJA,ACV,AUF,

/ AJT,AYC,AES,

/ AYY

(15) 7D0407257D

wheel bearing housing / left

F 70-2-048 501>>* / PR-1LB:AVT,

use if required: / 191 501 159 / AJT,AEU,AET,

/ ACV,AES

(15) 7D0407257A

wheel bearing housing / left

F >> 70-Y-200 000* / AHY

use if required: / 191 501 159

(15) 7D0407257D

wheel bearing housing / left

F 70-1-000 001>> 70-2-048 500* / AHY,AMV,AXG

use if required: / 191 501 159

(15) 7D0407257D

wheel bearing housing / left

F 70-2-048 501>>* / PR-1LB:AMV,

use if required: / 191 501 159 / AXG

(15) 7D0407257D

wheel bearing housing / left / PR-E46:

/ police

(15) 7D0407258A

wheel bearing housing / right

F >> 70-2-048 500* / ABL,AAC,AET,

use if required: / 191 501 159 / APL,AVT,AEU,

/ AJA,ACV,AUF,

/ AJT,AYC,AES

(15) 7D0407258A

wheel bearing housing / right

F 70-2-048 501>>* / PR-1LE,1LP,

use if required: / 191 501 159 / 1LU:ABL,AAC,

/ AET,AVT,AEU,

/ AJA,ACV,AUF,

/ AJT,AYC,AES,

/ AYY

(15) 7D0407258D

wheel bearing housing / right

F 70-2-048 501>>* / PR-1LB:AVT,

/ AJT,AEU,AET,

/ ACV,AES

(15) 7D0407258A

wheel bearing housing / right

F >> 70-Y-200 000* / AHY

(15) 7D0407258D

wheel bearing housing / right

F 70-1-000 001>> 70-2-048 500* / AHY,AMV,AXG

(15) 7D0407258D

wheel bearing housing / right

F 70-2-048 501>>* / PR-1LB:AMV,

/ AXG

(15) 7D0407258D

wheel bearing housing / right / PR-E46:

/ police

17 N 0123501

securing ring / 80X2,5

18 7D0501647A

wheel hub

19 N 10216601

spring pin / 13X16

(20) 7D0407343B

splash plate / left / AAC,AET,APL,

/ AVT,AEU,ABL,

/ AJA,ACV,AUF,

/ AJT,AES,AYC,

/ AYY,AHY,AMV,

/ AXG

(20) 7D0407344B

splash plate / right / AMV,AXG,AAC,

/ AET,APL,AVT,

/ AEU,ABL,AJA,

/ ACV,AUF,AJT,

/ AES,AYC,AYY,

/ AHY

21 N 90529301

hexagonal head bolt / M6X10

22 7D0407361

guide joint / lower

(23) N 10409601

bolt, with multi-spilne socket head / M12X1,5X30

(24) N 10028908

hexagon nut, self-locking / M12X1,5

25 7D0498625

wheel bearing with mounting parts / front

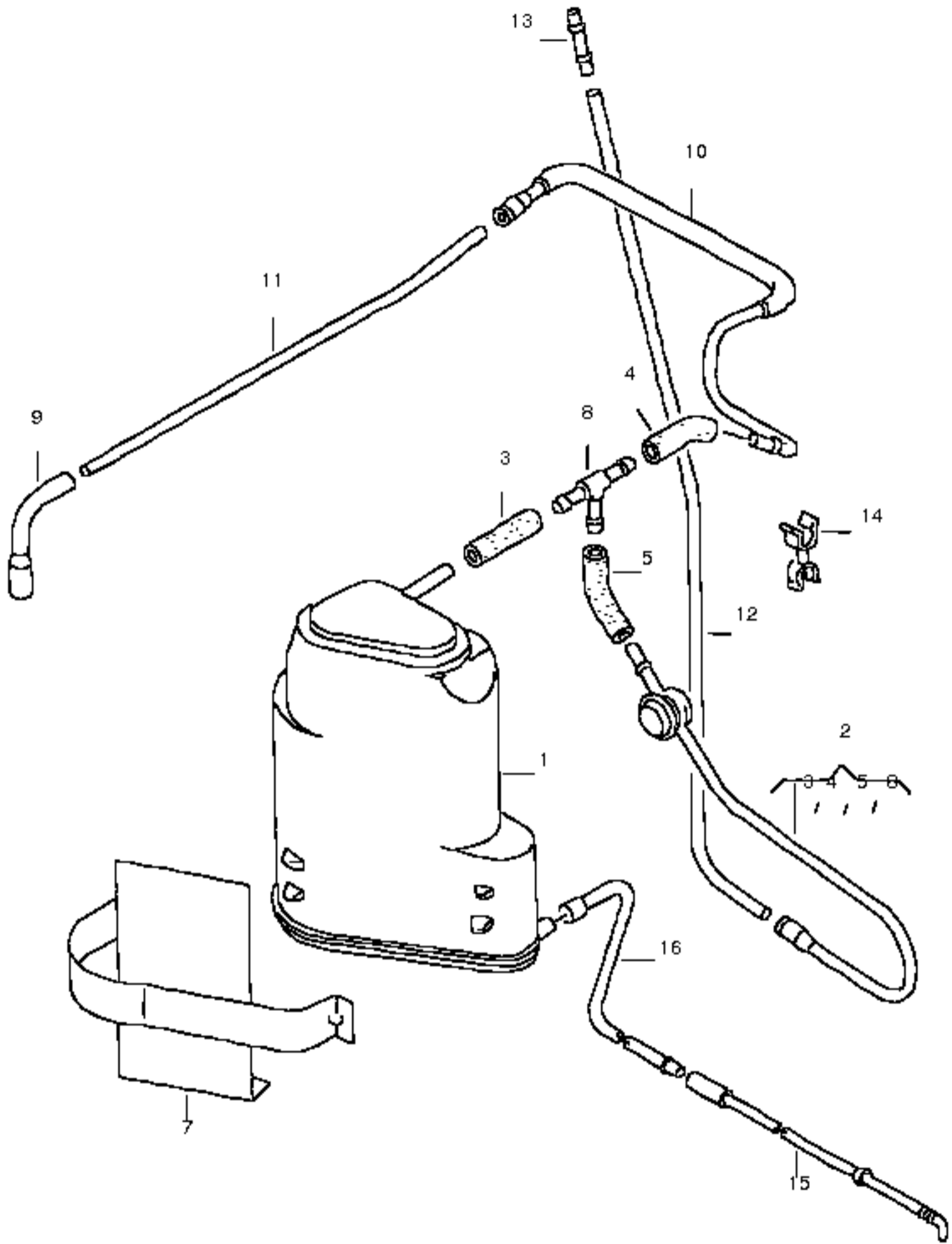
26 N 90625101

hexagon head bolt (combi) / M16X1,5X87

27 191501159

plug

for models without anti-locking system



activated charcoal canister / 4-,5-,6-cyl.
breather hose

1 7D0201801F

activated charcoal canister
also use: / 7D0 201 059 C
/ 7D0 201 850 E
/ 035 133 335

2 7D0201059

breather tube
pressure valve
F >> 7D-X-250 000

(2) 7D0201059B

breather tube
pressure valve
F 7D-Y-000 001>>*7D-Y-090 000

(2) 7D0201059C

breather tube
pressure valve
F 7D-Y-090 001>>*

- N 10303501

hose in coils of 5m 'order unit 5' / 7,3X3,5
shorten to: / 60MM
shorten to: / 60MM
shorten to: / 90MM

7 701201825

retainer
activated charcoal canister

8 701201471

t-piece
F >> 7D-X-250 000

9 7D0201807

elbow / 4 cylinder

(9) 7D0201807

elbow
F >> 7D-X-250 000 / 5-cylinder

(9) 7D0201807E

elbow
F 7D-Y-000 001>> / 5-cylinder

(9) 701201807A

elbow / 6 cylinder

(10) 7D0201850A

breather tube
F >>*7D-Y-090 000

(10) 7D0201850E

breather tube
F 7D-Y-090 001>>*

- N 0201302

tube in coils of 5m 'order unit 5' / 8X1
shorten to: / 950MM
shorten to: / 1230MM
also use: / 191 201 316 A

13 191201316A

sleeve / 6X29MM

14 701201188

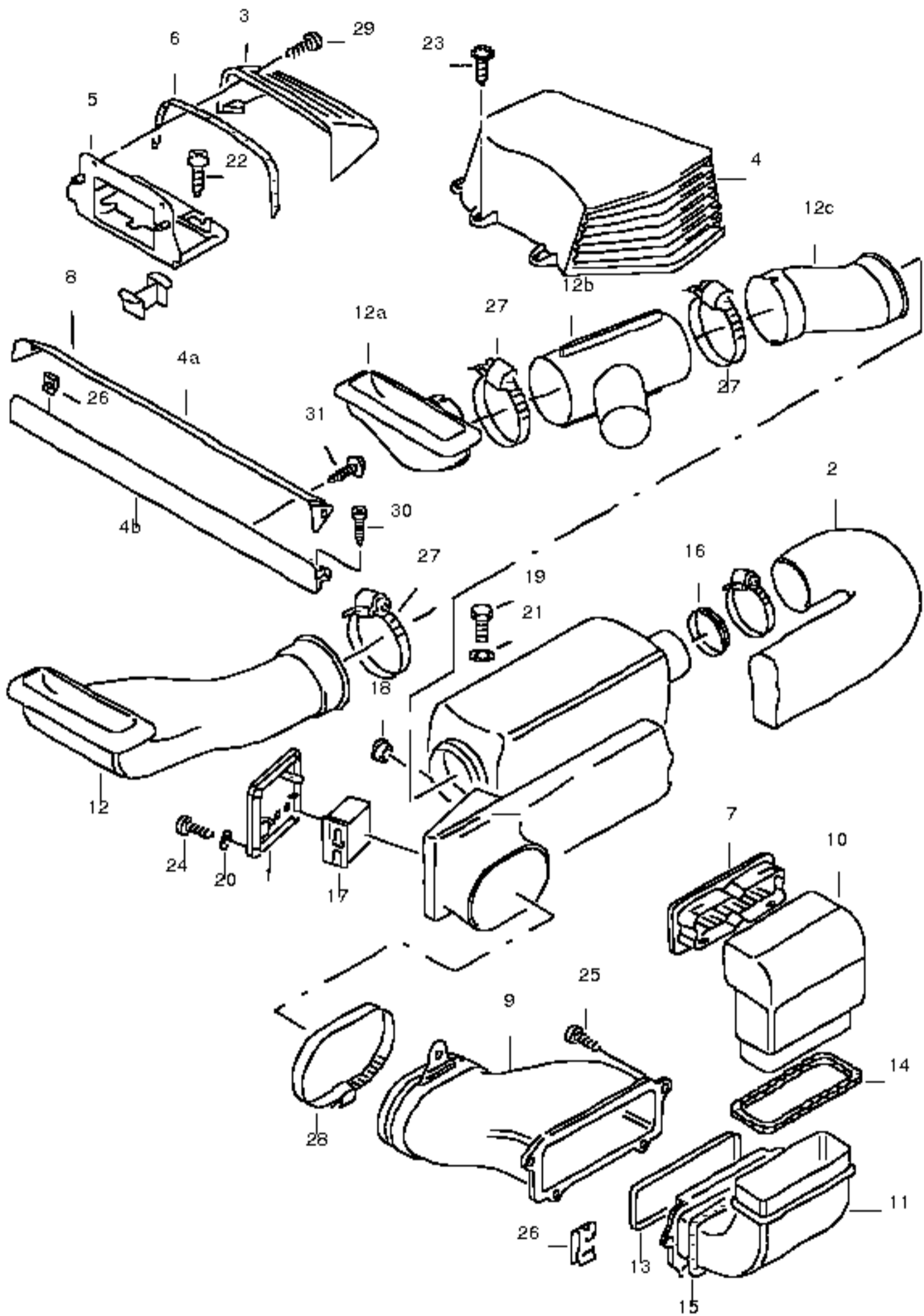
retainer

15 7D0201995

breather tube / 6 cylinder

16 7D0201996

breather tube / 6 cylinder



auxiliary heater / B3LP/D3LP / camp- mobile
 air guide
 / B3LPC/D3LPC / camp- mobile
 / B3LC/D3LC / delivery van
 / kombi van
 / B3LCC/D3LCC / delivery van
 / kombi van

1 701261177
cover

2 701261227
intake shaft

(3) 7D0819111A
air vent / upper
7D0819111A 01C satin black
7D0819111A 9UW sahara
7D0819111A Q70 light beige

4 703819111B
air vent / lhd / MULTIVAN I
703819111B 01C satin black

(4) 703819573A
insert / MULTIVAN I

(4) 703819573B
insert / ALLSTAR,
/ CLASSIC

4A 7D0819110
air vent / upper
use if required: / 3B0 925 071
F 70-Y-000 973>>* / MULTIVAN II
7D0819110 U71 flannel grey

- 3B0925071
electric socket / MULTIVAN II

4B 7D0819112B
air vent / lower
F 70-Y-000 973>>* / MULTIVAN II
7D0819112B U71 flannel grey

5 701819112A
air vent / lower
701819112A 01C satin black

6 701819126
gasket
for vehicles with partition

7 701819144
trim
F >> 70-Y-000 972* / MULTIVAN I
701819144 01C satin black

8 701819147
retainer

9 701819219B
intake duct
for models without sliding door
/ left
F >> 70-Y-000 001*

(9) 7D0819219
intake duct
for models without sliding door
/ left
F 70-Y-000 002>>*

(9) 7D1819219
intake duct
for vehicles with sliding door / left

10 701819441
elbow / delivery van
/ kombi van

(10) 705819441
elbow / bus

(10) 705819441
elbow
F >> 70-Y-000 972* / MULTIVAN I

11 701819461
elbow / lower

12 701819470A
warm air vent / B3LC/D3LC
/ B3LCC/D3LCC

12A 703819470
warm air vent / B3LP/D3LP
/ B3LPC/D3LPC

12B 703815541
warm air vent / B3LP/D3LP
/ B3LPC/D3LPC
see illustration: / 80-00
/ EP-132
/ POS.25-31

12C 703819470A
warm air vent / B3LP/D3LP
/ B3LPC/D3LPC

13 701819479
gasket
only for: / 701 819 219 B
F >> 70-Y-000 001*

14 701819480
gasket

15 701819480A
gasket / lower

16 701819762
seal

17 701963271A
electronic control unit / B3LC / otto engine
for additional heater
F >> 70-Y-048 446*
see illustration: / 261-29POS.(17)

(17) 701963271B
electronic control unit / B3LP / otto engine
for additional heater
F >> 70-Y-048 446*
see illustration: / 261-29POS.(17)

(17) 701963271C
electronic control unit / D3LC / diesel eng.
for additional heater
F >> 70-Y-048 446*
see illustration: / 261-29POS.(17)

(17) 701963271D
electronic control unit / D3LP / diesel eng.
for additional heater
F >> 70-Y-048 446*
see illustration: / 261-29POS.(17)

18 701971908B
grommet

19 N 01021226
hexagonal head bolt / M6X12

20 N 0115227
washer / A4,3X9X0,8

21 N 0115572
washer / 6,4X11X1,6

22 N 0139345
oval head panel screw / B3,5X25

23 N 0139587
oval head panel screw / ST3,5X13-C

24 N 0139671
oval head panel screw / B4,2X19-C

25 N 0139671
oval head panel screw / B4,2X19-C

26 N 0154581
snap nut / B4,8X19X16

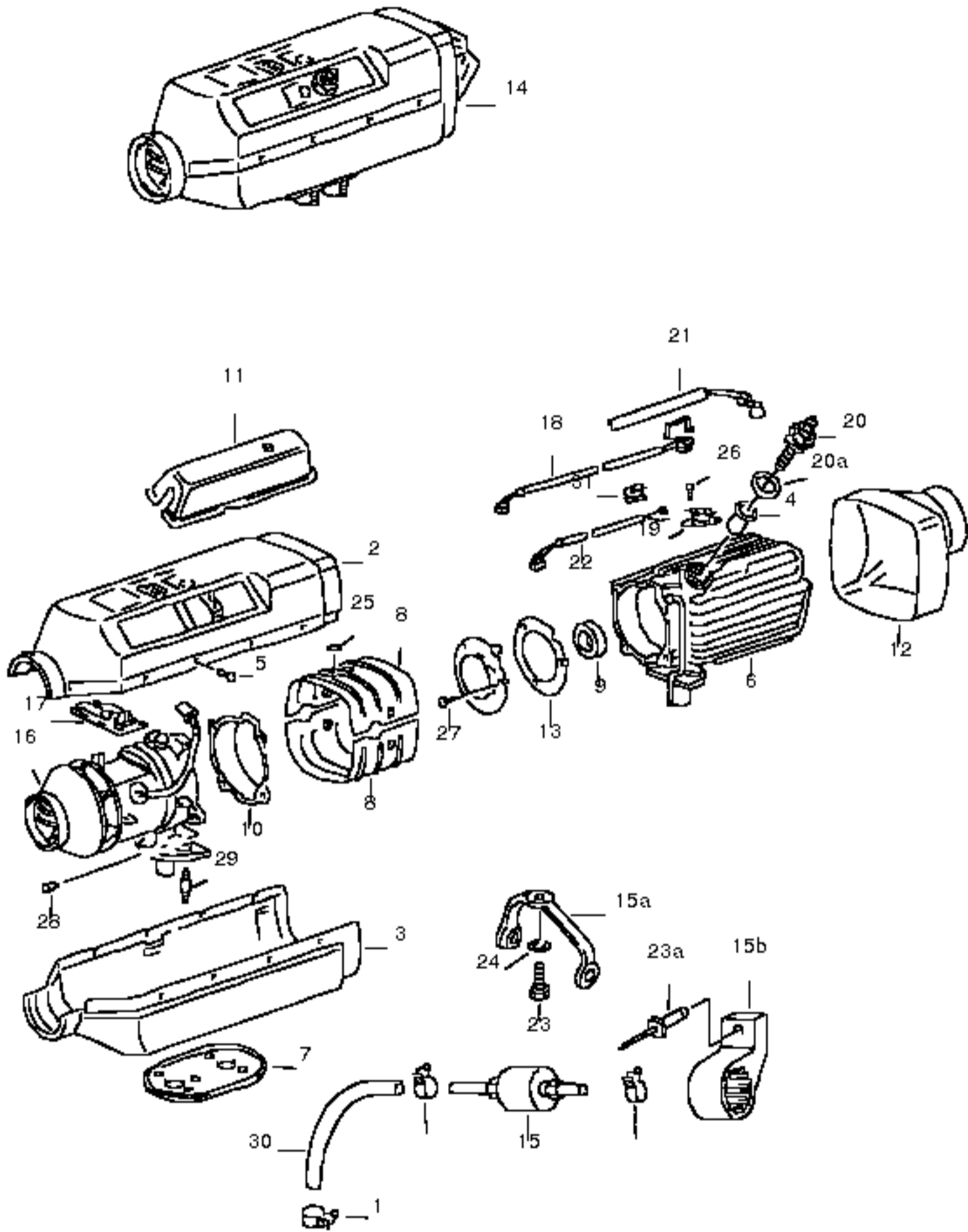
27 N 0245083
pipe clip / LA80-100

28 N 0245141
pipe clip / AL100-120X9

29 N 0140872
oval hd. csk. self-tapp. screw / ST3,5X16-C

30 N 01395010
oval head panel screw / B3,5X19
F 70-Y-000 973>>* / MULTIVAN II

31 N 90527501
oval hd. csk. self-tapp. screw / ST3,5X16-C
F 70-Y-000 973>>* / MULTIVAN II



auxiliary heater / B3LP/D3LP / camp- mobile
blower
fuel pump / B3LPC/D3LPC / camp- mobile
heater unit
/ B3LC/D3LC / delivery van
/ kombi van
/ B3LCC/D3LCC / delivery van
/ kombi van

1 311133343
pipe clip

2 701261114
housing upper part
F >> 70-Y-048 446*

(2) 7D0261114
housing upper part
F 70-Y-048 447>>*

3 701261116
housing lower part

4 701261121
flame deflector strainer / D3LC/P / diesel eng.

(4) 701261122
flame deflector strainer / B3LC/P / otto engine

5 701261138
split rivet

6 701261141A
heat exchanger / D3LC/P / diesel eng.

(6) 701261141B
heat exchanger / B3LC/P / otto engine

7 701261146
gasket

8 701261170
cover for blower motor

9 701261185
seal

10 701261199
gasket

11 701261247
cover cap
F >> 70-Y-048 446*

(11) 7D0261247
cover cap
F 70-Y-048 447>>*

12 701261377
warm air vent

13 701261753
gasket

14 701815007B
auxiliary heater / B3LC
F >> 70-Y-048 446* / otto engine

(14) 7D1815007
auxiliary heater / B3LCC
F 70-Y-048 447>>* / otto engine

(14) 701815007C
auxiliary heater / D3LC
F >> 70-Y-048 446* / diesel eng.

(14) 7D1815007B
auxiliary heater / D3LCC
F 70-Y-048 447>>* / diesel eng.

14 701815007D
auxiliary heater / B3LP
F >> 70-Y-048 446* / otto engine

(14) 7D1815007A
auxiliary heater / B3LPC
F 70-Y-048 447>>* / otto engine

(14) 701815007E
auxiliary heater / D3LP
F >> 70-Y-048 446* / diesel eng.

(14) 7D1815007C
auxiliary heater / D3LPC
F 70-Y-048 447>>* / diesel eng.

15 701819100E
fuel pump

15A 701819949
loop
F >> 70-2-075 000*

15B 7M0813549A
retainer
F 70-2-075 001>>*

16 701963021
blower
F >> 70-Y-048 446*

(16) 7D0963021
blower
F 70-Y-048 447>>*

17 701963075
printed circuit
F >> 70-Y-048 446*

(17) 701963271E
electronic control unit / B3LCC
F 70-Y-048 447>>* / otto engine
see illustration: / 261-32 POS.17

(17) 701963271F
electronic control unit / B3LPC
F 70-Y-048 446>>* / otto engine
see illustration: / 261-32 POS.17

(17) 701963271G
electronic control unit / D3LCC
F 70-Y-048 447>>* / diesel eng.
see illustration: / 261-32 POS.17

(17) 701963271H
electronic control unit / D3LPC
F 70-Y-048 447>>* / diesel eng.
see illustration: / 261-31 POS.17

18 701963243B
temperature switch / B3L/D3L G64
for vehicles with auxiliary heater

19 701963243C
temperature switch
for vehicles with auxiliary heater
F >> 70-Y-048 446*

(19) 7D0963243A
temperature switch
for vehicles with auxiliary heater
F 70-Y-048 447>>*

20 701963319
glow plug
for vehicles with auxiliary heater

20A 7D0261185
seal
F 70-Y-048 447>>*

21 7D0971543
wiring harness for auxiliary heater
F >> 70-Y-048 446*

(21) 7D0971543A
wiring harness for auxiliary heater
F 70-Y-048 447>>*

22 701971478AH
wiring harness for additional heater
F >> 70-Y-048 446*

23 N 0102139
bolt, hexagon head self-locking / M5X15
F >> 70-2-075 000*

23A N 90931001
pop-rivet / C4,8X24,5-15,9
F 70-2-075 001>>*

24 N 01152318
washer / A5,3X10X1
F >> 70-2-075 000*

25 N 0128551
clamping washer / 5

26 N 0141112
fillister hd. bolt / AM3X12Z

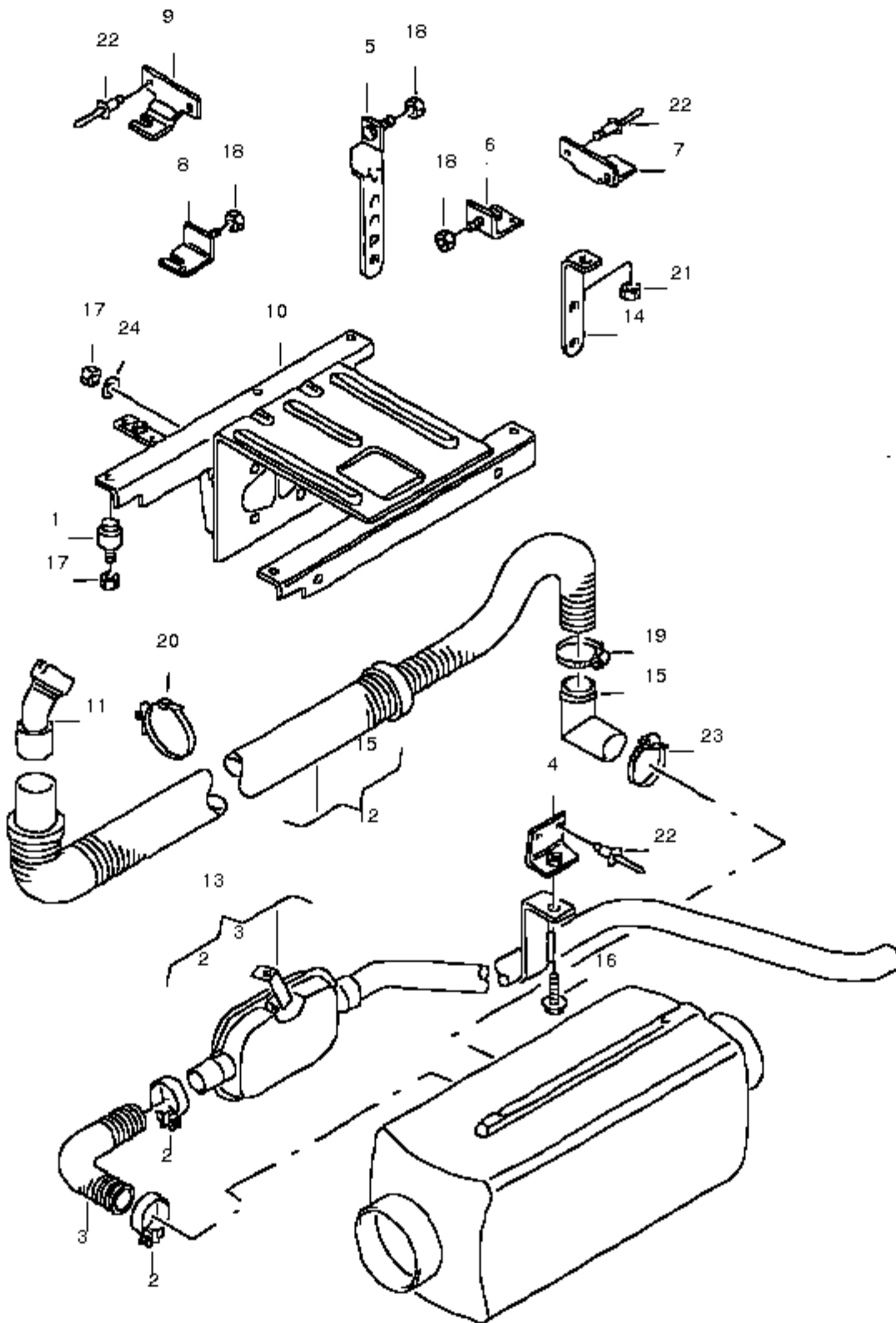
27 N 90455603
allen key head bolt / M5X15

28 N 0141551
fillister hd. bolt / AM5X22

29 N 0444331
stud / M6X18

30 059130329
hose in coils of 5m 'order unit 5' / 3,5X1,9 -RME-
shorten to: / 190MM

31 7D0261510
retaining clip
F 70-Y-048 447>>*



auxiliary heater / B3LP/D3LP / camp- mobile
heater unit
/ B3LPC/D3LPC / camp- mobile
/ B3LC/D3LC / delivery van
/ kombi van
/ B3LCC/D3LCC / delivery van
/ kombi van

1 251261325A
bonded rubber mounting

(2) 7D0819597
pipe clip / 26X16

3 701819085B
exhaust pipe

4 701819259B
bracket for exhaust pipe

5 701819277
retaining bracket

6 701819471B
retainer / front / camp- mobile:
/ CALIF.-EXCL.

7 701819471B
retainer / front

8 701819472F
retainer / rear / camp- mobile:
/ CALIF.-EXCL.

9 701819472G
retainer / rear

10 701819472J
retainer

11 701819482
intake manifold

(12) 7D0819315
intake hose / B/D3L

- 7D0815209
intake manifold
F 70-Y-048 447>>*

13 701819506A
exhaust pipe with exhaust muffler, front

14 701819549B
retaining bracket

(15) 7D0819315
intake hose / B/D3L
F >> 70-Y-048 446*

16 N 01021710
hexagonal head bolt / M6X20

17 N 0150825
hexagon nut, shouldered / M6

18 N 0230028
hexagon nut, self-locking / AM6

19 N 10258101
pipe clip / AL23-35
F >> 70-Y-048 446*

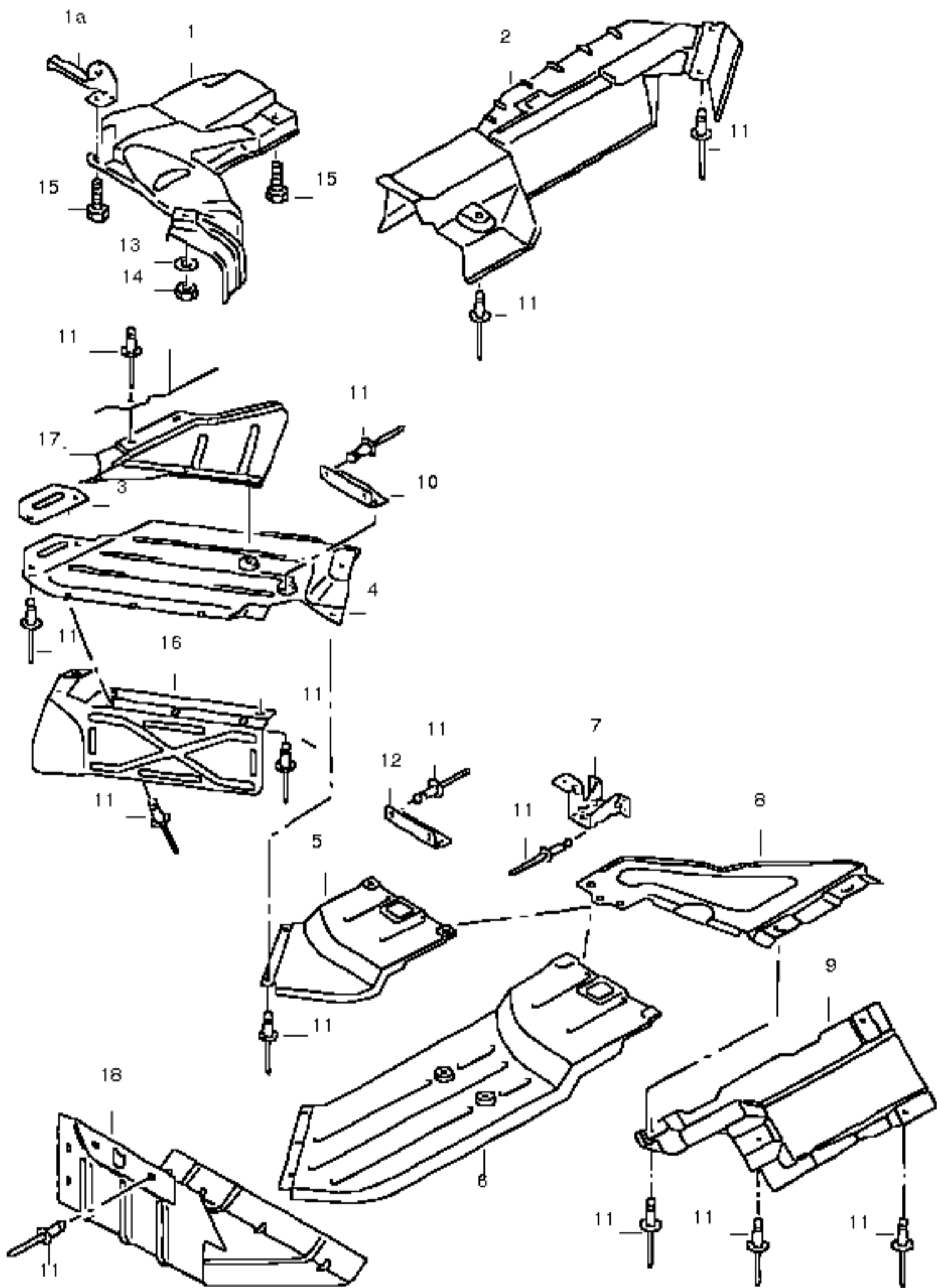
20 N 90666101
cable tie / 4,5X200
hole/sheet metal thickness: / 6,5/0,6-1,5

21 N 90352101
hexagon nut, shouldered / 5

22 N 90478601
pop-rivet / A4,8X11

23 701261243
pipe clip / 26-28MM

24 N 0120064
spring ring / B6



cover plates
 exhaust system
 cover plates / AAC,AES,AET,
 exhaust system / APL
 / "CN.", "GUS":
 / AEU
 / diesel eng.:
 / ABL,ACV,AAB,
 / AJA,AHY,AJT,
 / AUF,AXG,AYC,
 / AYY

(1) 7D0253233D
 shield / front / ABL,ACV,AAB
 fuel tank / AJA,AHY,AJT,
 / AUF,AXG,AYC,
 / AYY

(1) 7D0253233E
 shield / front / AAC,AET,AES
 fuel tank / AEU,APL,AVT

(
 1A) 701253230B
 bracket for exhaust system
 catalyst
 exhaust silencer, front

(1A) 7D0253230
 bracket for exhaust system
 exhaust silencer, rear

(2) 701253501D
 shield for step / PR-5R0,6AA,
 / 6AB,6AC:
 / deliv. van,
 / kombi,
 / bus,
 / double cab

(2) 7D0253501A
 shield for step / PR-5R2,5R3,
 / 5R4,5R6:
 / deliv. van,
 / kombi,
 / bus,
 / double cab

(2) 7D0253501A
 shield for step / ACV
 for vehicles with sliding door

(2) 701253501D
 shield for step / ACV
 for models without sliding door

3 707253717
 shield / AAC,ACV,AEU,
 for models without emission control system / APL,AUF,AYC:
 / deliv. van,
 / kombi,
 / bus

3 707253717
 shield / double cab
 / pick-up

4 701253717C
 shield / AAC,AEU,AET,
 for models with emission control system / APL,AVT,AMV,
 / AES,AYC,AYY:
 / deliv. van,
 / kombi,
 / bus

5 701253718B
 shield / deliv. van,
 for models with emission control system / kombi,
 / bus
 for models with wheelbase: / 2920MM

6 721253718B
 shield / delivery van
 for models with emission control system / kombi van
 / bus
 for models with wheelbase: / 3320MM

7 701253741
 shield / AAC,AES,AEU,
 brake pressure reducer / APL,AET,AVT,
 for models with emission control system / AMV

8 701253733D
 shield / rear / AAC,AES,AEU,
 for models with emission control system / APL,AET,AVT,
 / AMK:
 / deliv. van,
 / kombi,
 / bus

9 7D1253734
 shield / rear / AAC,AES,AEU,
 for models with emission control system / APL,AET,AVT,
 / AMK:
 / deliv. van,
 / kombi,
 / bus

(10) 7D0253713
 angle / deliv. van,
 / kombi,
 / bus

11 N 90826301
 pop-rivet / C4,8X8,8-K16,3

(12) 7D0253713
 angle / deliv. van,
 for models with wheelbase: / 3320MM / kombi,
 / bus

13 N 01167016
 washer / 8,4X24X2

14 N 01100830
 hexagonal nut / M8

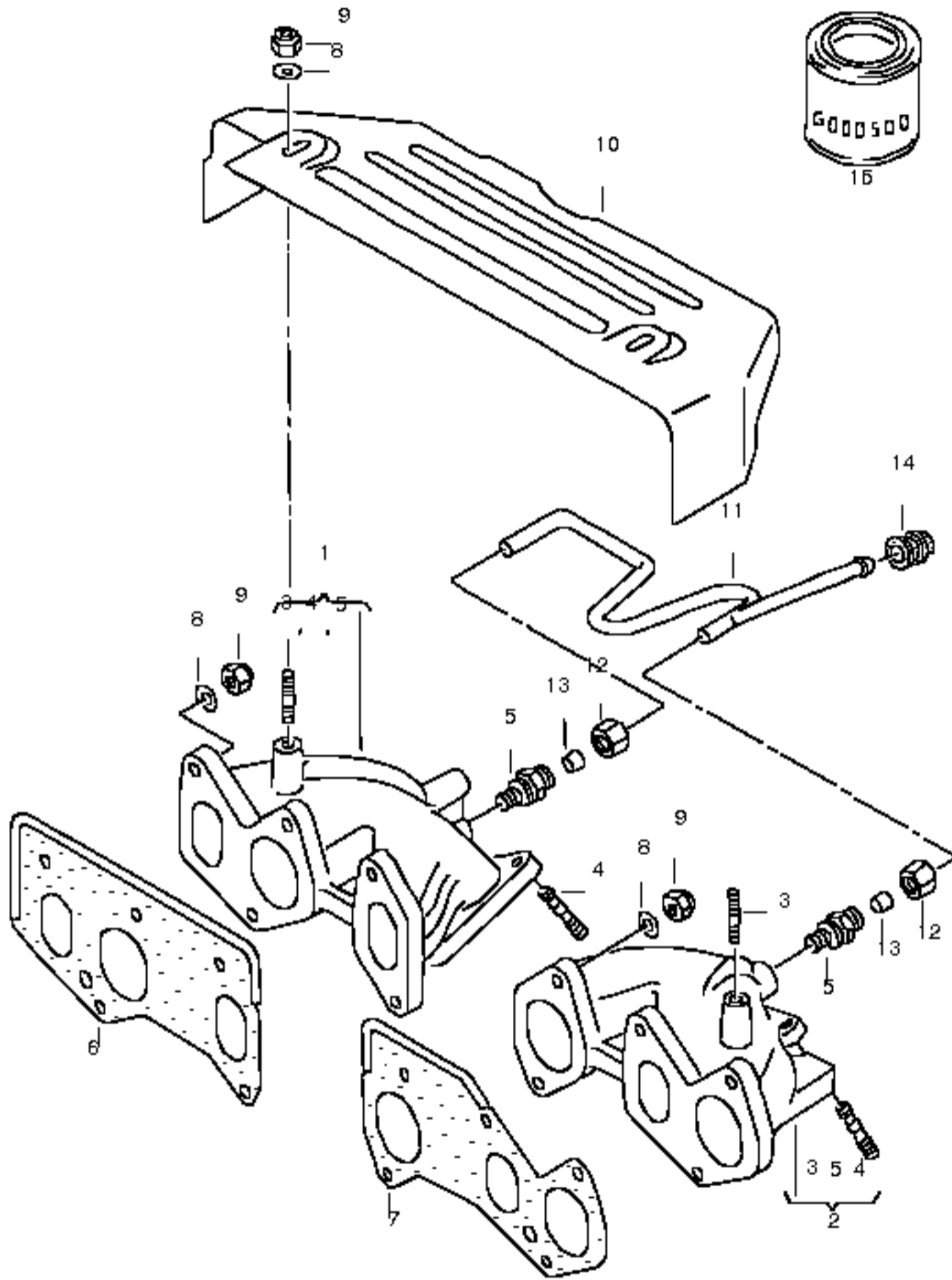
15 N 10063202
 hexagon head bolt c/w shoulder / M8X20

16 701253763
 shield / AEU,AES
 additional heat exchanger / 6AB

17 7D0253773
 shield / front / AAC,AES,AET,
 wiring harness / APL:
 / "CN.", "GUS":
 / AEU:
 / deliv. van,
 / kombi,
 / bus

18 7D0253800A
 guiding plate

19 074253463B
 bracket for exhaust pipe / AHY,AXG



exhaust manifold / 2.8ltr. / 6 cylinder:
/ AES,AMV

1 021253031D
exhaust manifold / cylinders 1-3 / AES

(1) 022253017A
exhaust manifold / cylinders 1-3 / AMV

2 021253032F
exhaust manifold / cylinders 4-6 / AES

(2) 022253018A
exhaust manifold / cylinders 4-6 / AMV

3 N 0145305
stud / AM8AX25 / AES

4 N 0445203
stud / M10X28 / AES

(5) 067131507
threaded union / AES

6 021253039E
gasket / cylinders 1-3 / AES

(6) 022253039B
gasket / cylinders 1-3 / AMV

7 021253050B
gasket / cylinders 4-6 / AES

(7) 022253050B
gasket / cylinders 4-6 / AMV

8 N 90095501
washer / 8,4X15X4

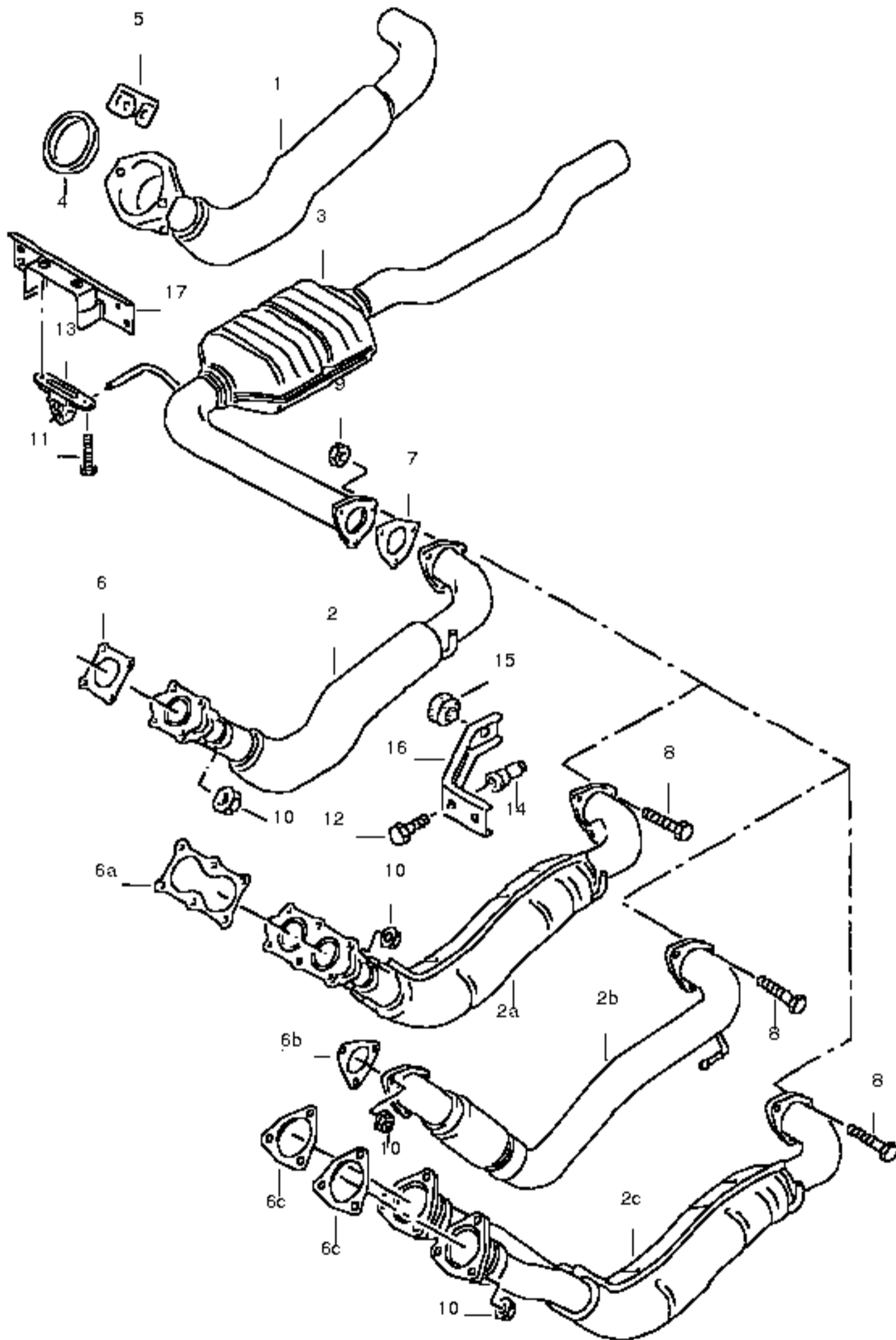
9 N 90085001
hexagon nut, self-locking / M8

(9) N 10303603
hexagon socket head bolt with collar / M8X16 / AMV

10 021253037C
warm air deflector plate / AES

(10) 022253035N
shield / AMV

(15) G 052112A3
hot-bolt-paste / 170G



exhaust pipe / front
catalyst

exhaust pipe / front
catalyst / 2.0ltr. / 4 cylinder:

/ AAC
/ 2.5ltr. / 5 cylinder:

/ AET,APL,ACV,
/ AJT,AHY,AUF,
/ AXG,AVT,AYC,
/ AYY,,AEU

/ 2.8ltr. / 6 cylinder:
/ AES,AMV

/ diesel eng.:
/ 1.9ltr. / 4 cylinder:
/ ABL

/ 2.4ltr. / 5 cylinder:
/ AAB,AJA

(1) 074253091AJ
exhaust pipe / front / manual- gearbox: / AAB,AJA

(1) 074253091P
exhaust pipe / front
F >> 70-Y-060 000* / automatic: / AAB,AJA

(1) 074253091AK
exhaust pipe / front
F 70-Y-060 001>>* / automatic: / AAB,AJA

(1) 028253091H
exhaust pipe / front / manual- gearbox: / ABL,AJT

(1) 074253091AL
exhaust pipe / front / manual- gearbox: / AYC,ACV,AYY

(1) 074253091AM
exhaust pipe / front / automatic: / ACV,AUF

(1) 074253091AM
exhaust pipe / front / automatic: / AYC

(2A) 023253091AG
exhaust pipe / front / automatic: / AET,AEU

(2A) 023253091AF
exhaust pipe / front / manual- gearbox: / AET,AEU,AAC

(2A) 023253091AL
exhaust pipe / front / manual- gearbox: / APL,AVT

(2A) 023253091AM
exhaust pipe / front / automatic: / APL,AVT

2B 074253091AT
exhaust pipe / front / AHY,AXG

2C 021253091F
exhaust pipe / front / automatic:
/ AES

(2C) 021253091G
exhaust pipe / front / manual- gearbox: / AES

(2C) 021253091B
exhaust pipe / front / AMV

(3) 023131089AX
catalyst / AAC
to be used for: / 023 131 701 AC
use if required: / 4A0 131 737 A
/ N 013 830 2

(3) 023131089 X
catalyst / AET
to be used for: / 023 131 701 AA
use if required: / 4A0 131 737 A
/ N 013 830 2

(3) 023131089CX
catalyst / APL,AVT
to be used for: / 023 131 701 AM

(3) 023131701RX
catalyst / "J":AES
use if required: / N 016 161 6

(3) 023131089BX
catalyst / AES
to be used for: / 023 131 701 AD

(3) 028131089FX
catalyst / ABL,AJA
to be used for: / 028 131 701 AK

(3) 074131701GX
catalyst
F >> 70-1-200 000 / AUF

(3) 045131701RX
catalyst
F 70-1-200 001>> / AUF

(3) 045131701SX
catalyst / AUF:
/ high roof

(3) 074131701GX
catalyst
M ACV>>* 300 000 / PR-0GD

(3) 074131701EX
catalyst / AJT:
/ PR-0GD

(3) 045131701RX
catalyst / AYC,AYY

(3) 045131701RX
catalyst
M ACV 266 252>>* / PR-0GE
M AJT 058 063>>* / PR-0GE

(3) 045131701SX
catalyst / AHY,AXG

(3) 023131089DX
catalyst / AMV
to be used for: / 023 131 701 AK

4/5 161298115
1 set of friction ring with spring for exhaust pipe, front / AAB,ABL,ACV,
/ AJA,AJT,AHY,
/ AUF,AXG,AYC,
/ AYY

6A 023253115A
gasket / AAC,AET,AEU

(6A) 1J0253115J
gasket / APL,AVT

6B 6N0253115B
gasket / AHY,AXG

6C 021253115
gasket / AES

(6C) 021253115A
gasket / AMV

7 1H0253115
gasket / AES,AAC,AEU,
/ AET,AMV,APL,
/ AVT,

(7) 1H0253115C
gasket / AAB,ABL,ACV,
/ AJA,AJT,AHY,
/ AUF,AXG,AYC,
/ AYY

(8) N 0103404
hexagonal head bolt / M8X40

(9) N 90074401
hexagon nut, self-locking / M8

10 N 10209005
hexagon nut, self-locking / M10 / AAC,AES,AET,
/ AEU,APL,AMV,
/ AVT,ACV,AJT,
/ AYC,AYY

(10) N 90074401
hexagon nut, self-locking / M8 / AHY,AXG

11 N 10155901
hexagon head bolt c/w shoulder / M8X20

12 N 10063202
hexagon head bolt c/w shoulder / M8X20

13 1H0253144C
retainer

14 N 90589901
rivetted cap nut / M8/2,5-3,5-AR

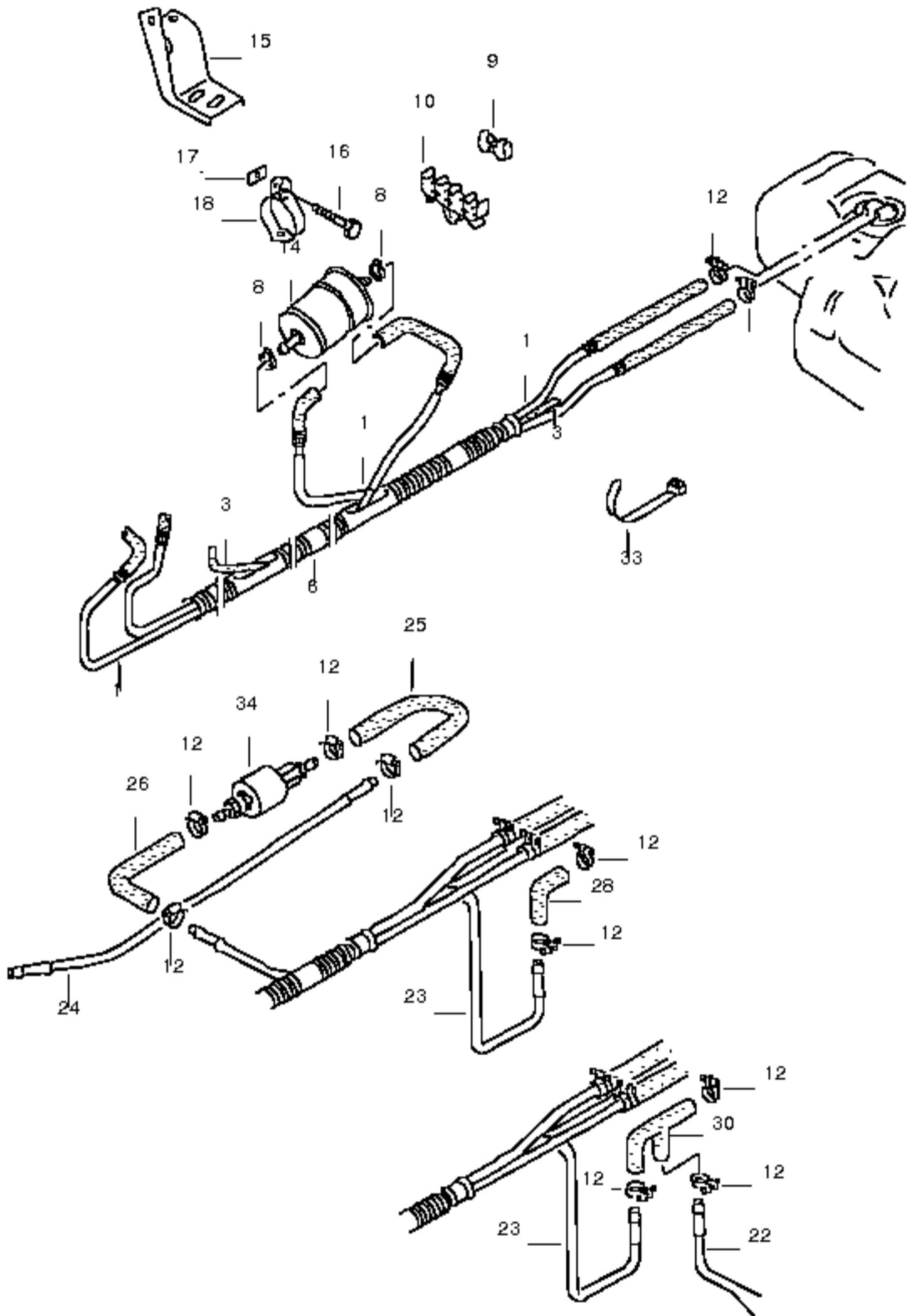
15 023253365
stop buffer

(16) 023253363A
retaining panel / AAC,AET,APL,
/ ACV,AJT,AUF,
/ AVT,AYC,AYY,
/ AEU,AES,AMV,
/ ABL,AAB,AJA

(16) 074253463B
bracket for exhaust pipe / AHY,AXG

(17) 701253230B
bracket for exhaust system

G 052112A3
hot-bolt-paste / 170G



fuel line / 2.0ltr. / 4-cylinder,
fuel filter / 2.5ltr. / 5-cylinder,
/ 2.8ltr. / 6 cylinder

1 701201080BP

1 set of fuel pipes / 4 cylinder
feed- and return pipe in pairs

(1) 7D0201080A

1 set of fuel pipes / 6 cylinder:
feed- and return pipe in pairs / AES

(1) 7D0201080H

1 set of fuel pipes / 6 cylinder:
feed- and return pipe in pairs / AMV

(1) 7D0201080

1 set of fuel pipes / 5-cylinder
feed- and return pipe in pairs

3 7D0201858B

breather tube

4 7D0201204K

fuel line / feed / 6 cylinder:
/ AMV

5 7D0201204L

fuel line / return / 6 cylinder:
/ AMV

6 -----

no longer available

8 N 10292201

spring-type clip / A14X12

9 049133687H

retainer

10 701201449A

clips

12 N 0241222

pipe clip / 9X11-15

14 1H0201511A

fuel filter

(15) 7D0201505E

bracket for fuel filter

(16) N 0441384

fillister hd. bolt / AM6X45

17 251813599

threaded plate / M6

18 251201679

retainer

22 701201901F

fuel line
for vehicles with auxiliary heater

23 701201901B

fuel line
for vehicles with additional heater

24 701201901M

fuel line
for vehicles with additional heater

- N 0202911

hose in coils of 5m 'order unit 5' / 3,5X3
shorten to: / 130MM
for vehicles with additional heater

26 701201143

fuel hose
for models with supplementary heater

28 701201902E

fuel line
for vehicles with auxiliary heater or additional heater

30 701201928B

t-piece for vehicles with auxiliary heater

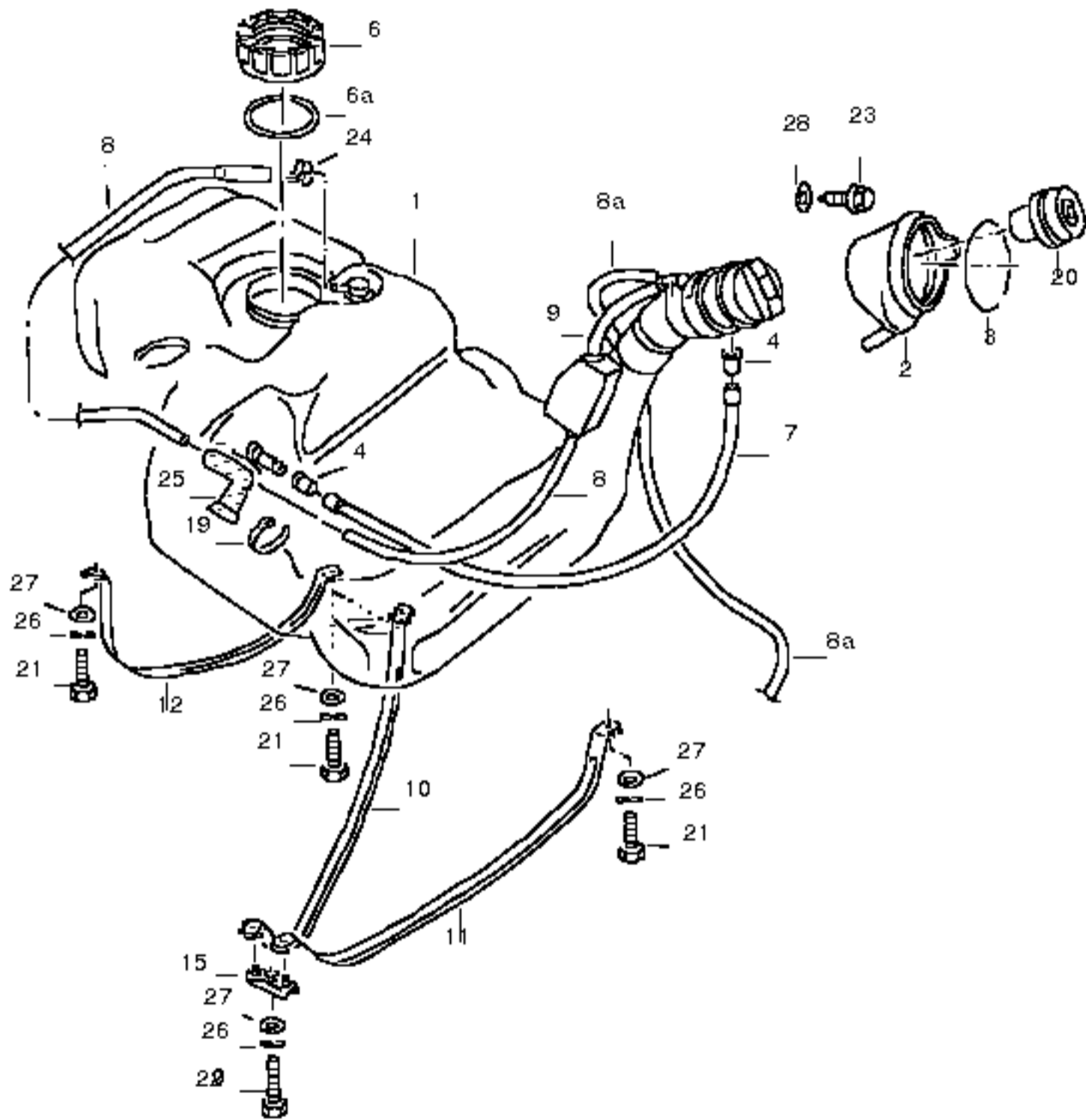
additional heater

33 N 90666101

cable tie / 4,5X200

34 701819100D

fuel pump / D3W
see illustration: / 819-64



fuel tank
(1) 7D0201075Q
fuel tank / diesel eng.
screw catch
also use: / 1H0 201 551

(1) 7D0201075C
fuel tank
screw catch
>>*70-Y-075 000* / otto engine

(1) 7D0201075M
fuel tank
screw catch
F 70-Y-075 001>>* / otto engine

(1) 7D0201075L
fuel tank with narrow fuel filler neck (22mm) for lead-free fuel / otto engine
screw catch
use if required: / 7D0 201 551 C

2 7D0201253
retainer for fuel filler neck

3 357201255
ring

4 701201180
grommet

(4) 701201180B
grommet / diesel eng.
for vehicle use with vegetable oil methyl ester -pme-

6 321201375A
union nut
also use:
for vehicle use with vegetable oil methyl ester -pme-
/ 1J0 919 133

(6A) 1J0919133
seal / 109
for vehicle use with vegetable oil methyl ester -pme-

7 701201168
breather tube / diesel eng.

(7) 7D0201168
breather tube

(8) 701201467E
breather tube / diesel eng.

(8) 7D0201461
breather tube
F >> 70-X-250 000*

(8) 7D0201461F
breather tube
F 70-Y-000 001>>*

8A 7D0201461A
breather tube

- N 0202811
hose in coils of 5m 'order unit 5' / 7X3
shorten to: / 85MM

10 701201635B
tensioning strap / center

11 701201653
tensioning strap / left

12 701201654
tensioning strap / right

15 701201661
retainer

19 N 0209022
cable tie / 6X246

20 7D0201551
cap, lockable for single key system with separate lock cylinder but without tumblers, springs and keys for fuel tank
bayonet catch
F >> 70-X-250 000*

(20) 1H0201551
cap, lockable for single key system with separate lock cylinder but without tumblers, springs and keys for fuel tank
screw catch without: retaining band
F 70-Y-000 001>>*70-3-019 101* / diesel eng.
F >> 70-3X014 700*

(20) 7D0201551C
cap, lockable for single key system with separate lock cylinder but without tumblers, springs and keys for fuel tank
with: retaining band
F 70-Y-000 001>>* / petrol eng;
F 70-3-019 102>>* / diesel eng.
F 70-3X014 701>>*

21 N 0195024
hexagon head bolt c/w shoulder / M8X25

22 N 0197002
hexagon head bolt c/w shoulder / M8X30

23 N 0159461
hexagon head panel screw / A6,5X19

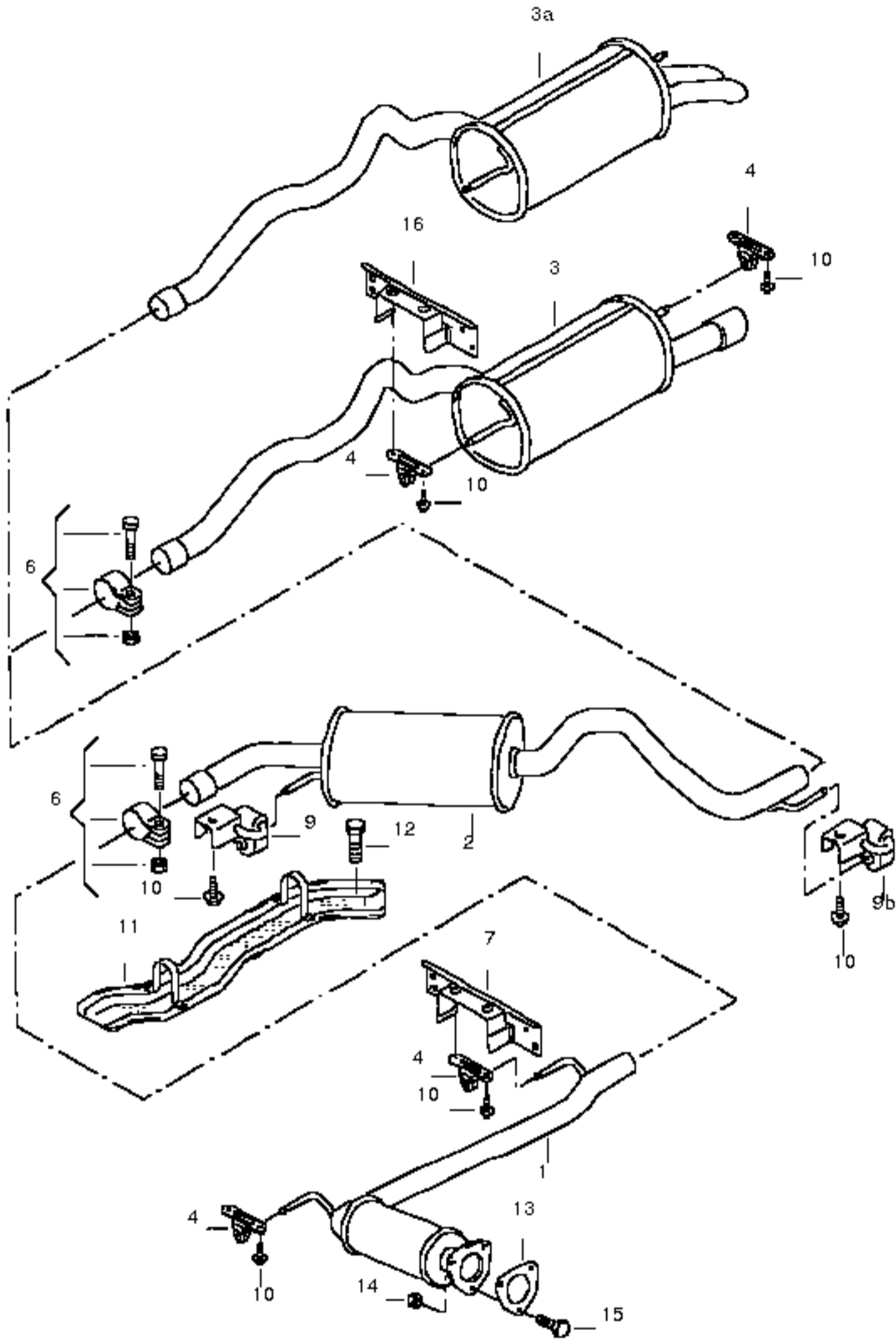
24 N 0241222
pipe clip / 9X11-15

25 895201890
end piece / diesel eng.

26 N 01224110
spring washer / B8X15X0,8

27 N 0154013
washer / 8,4X21X4

28 N 01166615
washer / 6,4X18X1,6



exhaust silencer, front
 middle exhaust silencer
 exhaust silencer, rear
 exhaust silencer, front / 2.0ltr. / 4 cylinder:
 middle exhaust silencer / AAC
 exhaust silencer, rear / 2.5ltr. / 5 cylinder:
 / AET,APL,ACV,
 / AJA,AUF,AHY,
 / AXG,AVT,AYC,
 / AYY
 / "CN.", "GUS":
 / AEU
 / 2.8ltr. / 6 cylinder:
 / AES,AMV
 / 1.9ltr. / 4 cylinder:
 / ABL
 / 2.4ltr. / 5 cylinder:
 / AAB

(1) 023253209
 exhaust silencer, front / AAC,AEU,AET
 for models without catalyst

1 074253209C
 exhaust silencer, front / AAB
 for models without catalyst

2 074253409P
 middle exhaust silencer / ACV,AJT,AUF,
 / AYC,AYY
 for models with wheelbase: / 3320MM
 for models with wheelbase: / 2920MM
 shorten rear by: / 400MM

(2) 028253409R
 middle exhaust silencer / AAB,AJA,ABL
 for models with wheelbase: / 3320MM
 for models with wheelbase: / 2920MM
 shorten rear by: / 400MM

(2) 023253409AJ
 middle exhaust silencer / AAC,AES,AET,
 / AEU,APL,AVT
 for models with wheelbase: / 3320MM
 for models with wheelbase: / 2920MM
 shorten rear by: / 400MM

(2) 074253409T
 middle exhaust silencer / AXG,AMV,AHY
 for models with wheelbase: / 3320MM
 for models with wheelbase: / 2920MM
 shorten rear by: / 400MM

3 044253609AH
 exhaust silencer, rear / deliv. van,
 / bus,
 / estate car:
 / AEU,APL,AVT
 / AAC,AES,AET,

(3) 044253609AJ
 exhaust silencer, rear / pick-up
 / double cab:
 / AAC,AES,AET,
 / AEU,APL,AVT

(3) 021253609D
 exhaust silencer, rear / AMV,AXK

3A 074253609AL
 exhaust silencer, rear / deliv. van,
 / bus,
 / estate car:
 / ACV,AJT,AUF,
 / AYC,AYY

(3A) 074253609AM
 exhaust silencer, rear / pick-up
 / double cab:
 / ACV,AJT,AUF,
 / AYC,AYY

(3A) 074253609BA
 exhaust silencer, rear / deliv. van,
 / bus,
 / estate car:
 / AAB,AJA,ABL

(3A) 074253609BB
 exhaust silencer, rear / pick-up
 / double cab:
 / AAB,AJA,ABL

(3A) 074253609BC
 exhaust silencer, rear / AHY,AXG

(4) 1H0253144C
 retainer

(6) 1H0253139D
 pipe clip / 59,5

(7) 701253230B
 bracket for exhaust system

(9) 701253144B
 retainer

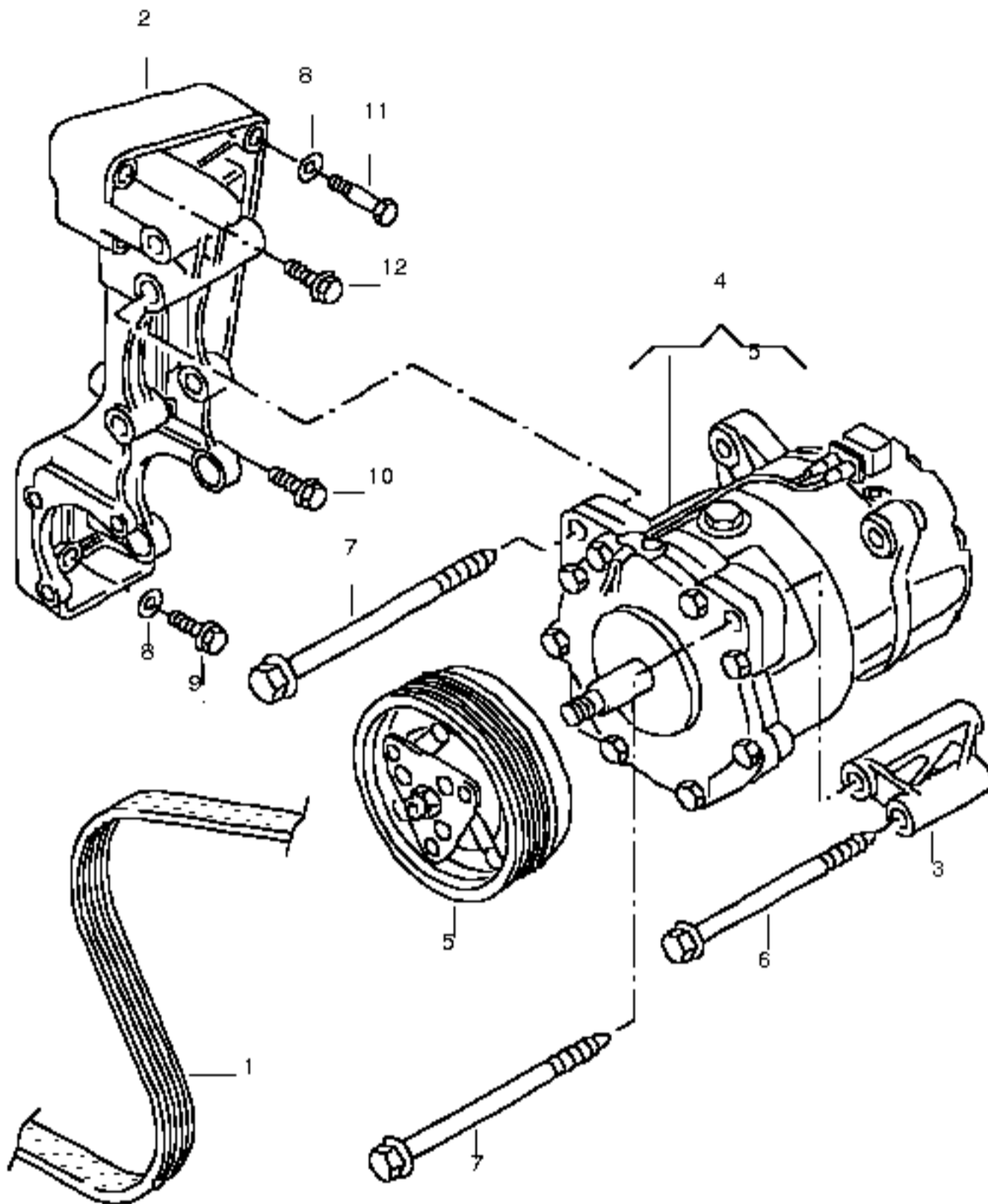
9B 3A0253144
 retainer

10 N 10155901
 hexagon head bolt c/w shoulder / M8X20

11 023253701A
 shield / "AUS"

12 N 90532901
 hexagon head bolt (combi) / M6X16-U-S1 / "AUS"

(16) 7D0253230
 bracket for exhaust system



refrigerant compressor with electro-magnetic coupling / 6 cylinder:

/ AMV

mounting parts for refrigerant compressor

1 021145933P

ribbed v-belt / 24,92X1360MM

for vehicles with air condit.

2 022260087A

bracket for alternator and refrigerant compressor

bracket for hydraulic pump

3 021260089C

bracket for alternator and refrigerant compressor

(4) 7D0820805J

refrigerant compressor with electro-magnetic coupling

for vehicles with 2nd evaporator the oil capacity must be increased to 105 cm³

(5) 7D0820811A

electro-magnetic coupling / 120MM

for refrigerant compressor / 7D0 820 805J

F >> 70-2-100 000*

(5) 7D0820811C

electro-magnetic coupling / 120MM

for refrigerant compressor / 7D0 820 805J

F 70-2-100 001>>*

- 357298012A

attachment parts for electro- magnetic coupling / M8X1,25

for refrigerant compressor / 7D0 820 805 J

- 1J0298012A

attachment parts for electro- magnetic coupling / SD 7V16

for refrigerant compressor / 7D0 820 805 J

6 N 10120803

hexagon head bolt c/w shoulder / M8X85

7 N 10209801

hexagonal head bolt / BM10X112

8 N 0122093

washer / 9X16X2

9 N 90426302

fitted bolt / M8X8,992X28

10 N 10239402

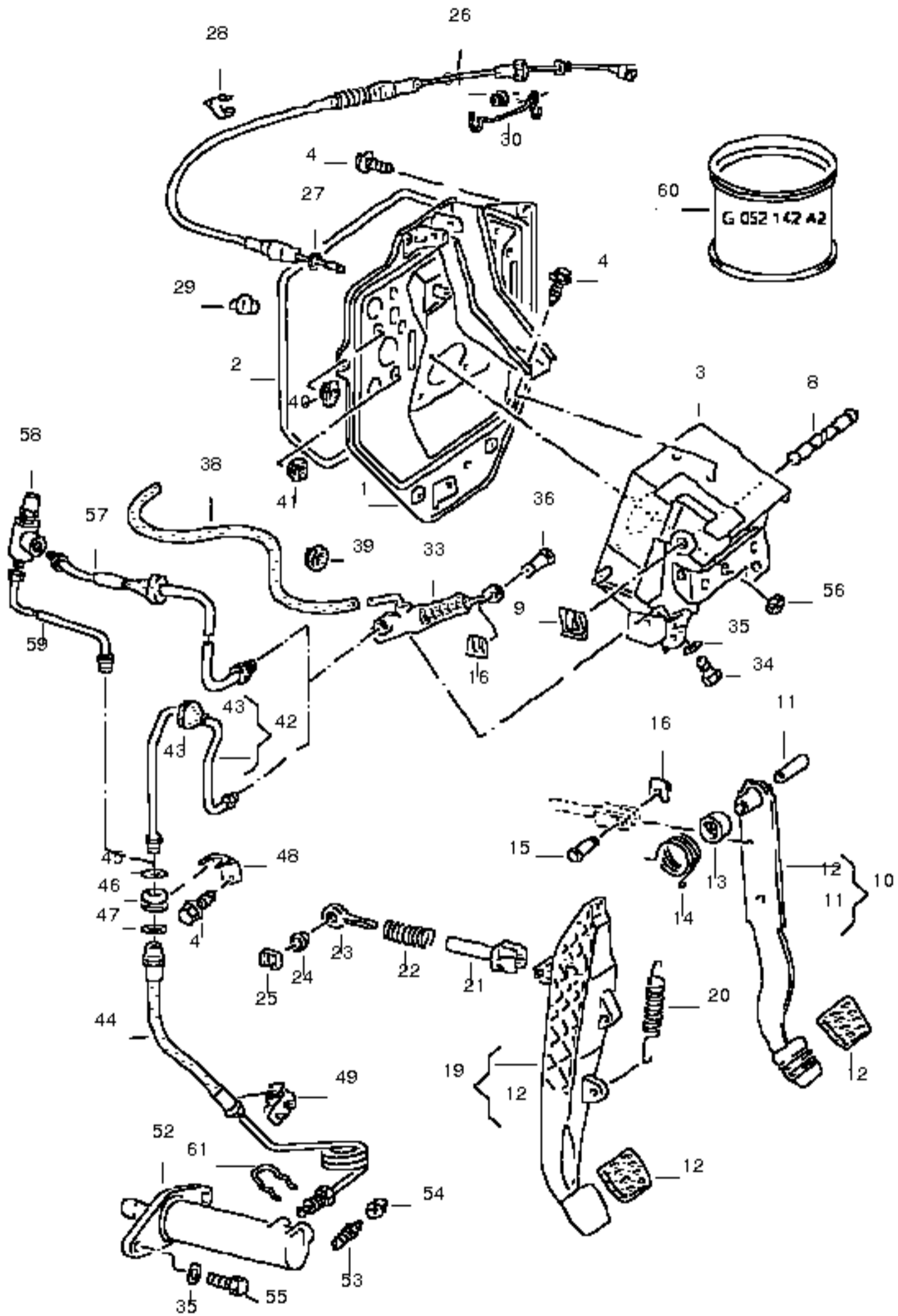
hexagon socket head bolt with collar / M8X22

11 N 90662901

fitted bolt / M8X60

12 N 90310001

allen key head bolt (combi) / M8X60



brake and clutch pedals cluster / lhd

1 7D1721039A
mounting plate

2 AKD49701004
sealing cord in coils of 10m 'order unit 1'

AKD49701004R10
sealing cord / 10X2MM

3 701721115L
bearing bracket
for mechanical clutch operation

F >> 70-X-250 000* / manual gearbox

(3) 7D1721115A
bearing bracket
for mechanical clutch operation

F 70-Y-000 001>>* / manual- gearbox:
/ ABL,AET,AEU,
/ AJA,AAB,AAC

(3) 7D1721115H
bearing bracket
for mechanical clutch operation

for models with accelerator pedal electronic module

F 70-Y-000 001>>* / manual gearbox

/ APL,AVT

(3) 701721115M
bearing bracket
for models with hydraulic clutch operation

F >> 70-Y-000 941 / manual gearbox

(3) 7D1721115G
bearing bracket
for models with hydraulic clutch operation

for models with accelerator pedal electronic modul

F 70-Y-000 942>> / manual gearbox

(3) 7D1721115B
bearing bracket
for models with hydraulic clutch operation

F 70-Y-000 001>>* / manual- gearbox:
/ ABL,AAB,AAC,
/ AJA,AEU,AET,
/ AES

(3) 7D1721115B
bearing bracket / automatic

(3) 7D1721115G
bearing bracket
for models with hydraulic clutch operation

for models with accelerator pedal electronic modul

F 70-Y-000 942>> / ACV,AYC,AUF,

/ AHY,AXG,AJT,
/ AYY,APL,AVT,
/ AMV,AXK

4 N 10063202
hexagon head bolt c/w shoulder / M8X20

8 701721123
bearing pin / manual gearbox

(8) 701723123
bearing pin / automatic

9 N 90236202
lock washer / 10X0,6

10 701721141D
brake pedal / manual gearbox

(10) 7D1721141
brake pedal

for models with premissible total weight:
/ MAX.2800KG

F 70-1-036 000>>* / manual- gearbox:

/ AMV,AXK,AHY

(10) 701723141D
brake pedal / automatic

(10) 7D1723141
brake pedal

for models with premissible total weight: / MAX.2800KG
F 70-1-036 001>>* / automatic: / AMV,AXK,AHY

11 191721153
bearing bush

12 321721173
cap / manual gearbox

321721173 01C
satin black

(12) 191723173
cap / automatic

for brake pedal

13 701721164
bearing bush

14 701721163
torsion spring

15 N 90051201
pin / 10D11X20,6X7,1

16 N 90254701
lock washer / 8X0,5

19 701721315B
pedal clutch

20 701721363
tension spring

21 191721421
guide

22 191721427
pressure spring

23 191721422
guide

24 191721430
bush

25 N 90064901
lock washer / 6

26 7D1721335
clutch cable

27 028109411
round seal / 11X2

28 701721399A
retainer

30 7D1721399
shackle

31 N 90481701
hexagon head bolt (combi) / M8X20

(33) 701721401B
master cylinder

34 N 01023911
hexagonal head bolt / M8X18

35 N 01152520
washer / A8,4X16X1,6

36 N 90524001
pin / 10D11X37,5X33

38 N 90080703
hose / 7,3X3X420

41 191971908B
plug / 19

42 701721461A
pressure pipe

43 701721493
grommet

44 7D1721477
pressure hose

(44) 701721477D
pressure hose / ACV,AES,AUF, / AYC,AHY,AXG, / AXL

46 701721459
connecting piece

47 02F141143A
seal / 9,25X6,07X1,78

48 701721463
retainer

49 7D0721487
retainer

(49) 701721487B
retainer / ACV,AES,AUF, / AYC,AHY,AXG

52 1J0721261H
slave cylinder

slave cylinder / 6 cylinder,
/ TDI

see illustration: / 141-20 POS.4

intermediate piece
see illustration: / 301-35

53 357615273
bleeder valve / M10X1

54 211611483
dust cap

55 N 01024416
hexagonal head bolt / M8X30

56 N 90074401
hexagon nut, self-locking / M8

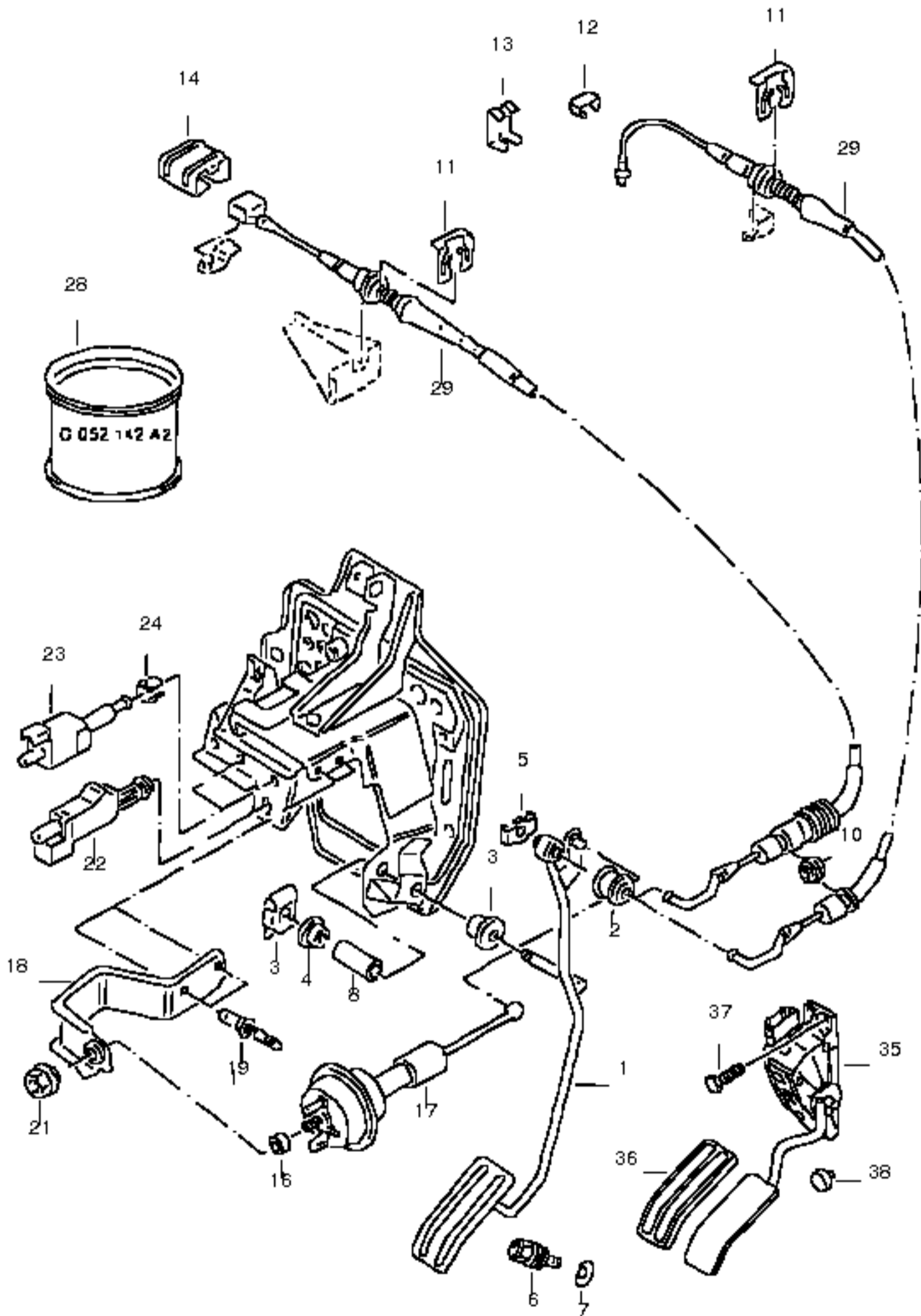
57 701721461E
pressure pipe / ACV,AES,AUF, / AYC,AHY,AXG

58 701721451A
intermediate piece / ACV,AES,AUF, / AYC,AHY,AXG

59 701721462A
pressure pipe / ACV,AES,AUF, / AYC,AHY,AXG

(60) G 052142A2
poly lubricant / 400G

61 7M0721431
securing ring



foot accelerator pedal
accelerator cable
accelerator pedal with electronic modul
foot accelerator pedal

1 701721507J
foot accelerator pedal
F >> 70-Y-000 941 / lhd / manual gearbox

(1) 7D1721507A
foot accelerator pedal
F 70-Y-000 942>> / lhd / manual gearbox

(1) 7D1723507
foot accelerator pedal / lhd / automatic

(1) 7D2721507A
foot accelerator pedal
F >> 70-Y-001 255 / rhd / manual gearbox

(1) 7D2721507C
foot accelerator pedal
F 70-Y-001 256>> / rhd / manual gearbox

(1) 7D2723507C
foot accelerator pedal
F >> 70-Y-000 941 / rhd / automatic

(1) 7D2723507E
foot accelerator pedal
F 70-Y-000 942>> / rhd / automatic

2 191721559
bush / manual gearbox

(2) 191723559
bush / automatic

3 803723559
bearing bush

4 N 90047001
lock washer / 6X0,4
/ lhd

(4) N 90064901
lock washer / 6
/ rhd

5 171721563
clips / automatic

(6) 7D0723527
stop buffer / automatic

(6) 7D0721527
stop buffer / manual gearbox

7 1J0723528
collar / automatic

8 702721543
sleeve

10 701721591
grommet

11 N 90095603
lock washer / 7

14 171721570A
securing clip / diesel eng.

16 281259357A
spacer bush / automatic
throttle control element
see illustration: / 907-10

18 701721394
retaining panel

19 N 90478601
pop-rivet / A4,8X11

21 535907519
hexagonal nut
switch - brake light
see illustration: / 945-50
ventilation valve
see illustration: / 907-10

24 431721283B
clip / 13

25 811971849
cable holder / 8/9

(28) G 052142A2
poly lubricant / 400G

(28) G 052745A3
universal low temperat. grease / 1KG

accelerator cable / manual gearbox

29 701721555J
accelerator cable / lhd / AAC

(29) 702721555G
accelerator cable / rhd / AAC

(29) 7D1721555
accelerator cable / lhd / AET,APL,AVT, / AEU

(29) 7D2721555A
accelerator cable / rhd / AET,APL,AVT, / AEU

(29) 701721555R
accelerator cable / lhd / AES

(29) 702721555K
accelerator cable / rhd / AES

(29) 701721555M
accelerator cable / lhd / diesel eng.: / ABL

(29) 7D2721555
accelerator cable / rhd / diesel eng.: / ABL

(29) 701721555AA
accelerator cable / lhd / diesel eng.: / AAB,AJA

(29) 701721555K
accelerator cable / rhd / diesel eng.: / AAB,AJA

accelerator cable / automatic

(29) 701723555C
accelerator cable / lhd / AAC

(29) 702723555C
accelerator cable / rhd / AAC

(29) 7D1723555
accelerator cable / lhd / AET,APL,AVT, / AEU

(29) 7D2723555
accelerator cable / rhd / AET,APL,AVT, / AEU

(29) 701723555G
accelerator cable / lhd / AES

(29) 702723555G
accelerator cable / rhd / AES

(29) 701723555H
accelerator cable / lhd / diesel eng.: / AJA,AAB

(29) 702723555D
accelerator cable / rhd / diesel eng.: / AJA,AAB

accelerator pedal with electronic module

F 70-Y-000 941>>

35 7D1721603B
accelerator pedal with electronic module / lhd / manual gearbox
/ diesel eng.:

/ ACV,AHY,AJT,
/ AUF,AXG,AYY,
/ AYC

(35) 7D1721603C
accelerator pedal with electronic module / lhd / manual gearbox
/ otto engine:

/ APL,AVT

(35) 7D1723507D
accelerator pedal with electronic module / lhd / automatic
/ diesel eng.:

/ ACV,AJT,AYY,
/ AUF,AYC

(35) 7D1723507E
accelerator pedal with electronic modul / lhd / automatic
/ otto engine:

/ APL,AMV,AVT,
/ AXK

(35) 7D2721603B
accelerator pedal with electronic modul / rhd / manual gearbox
/ diesel eng.:

/ ACV,AJT,AUF,
/ AYY,AYC

(35) 7D2721603C
accelerator pedal with electronic modul / rhd / manual gearbox
/ otto engine:

/ APL,AVT

(35) 7D2723507H
accelerator pedal with electronic modul / rhd / automatic
/ diesel eng.:

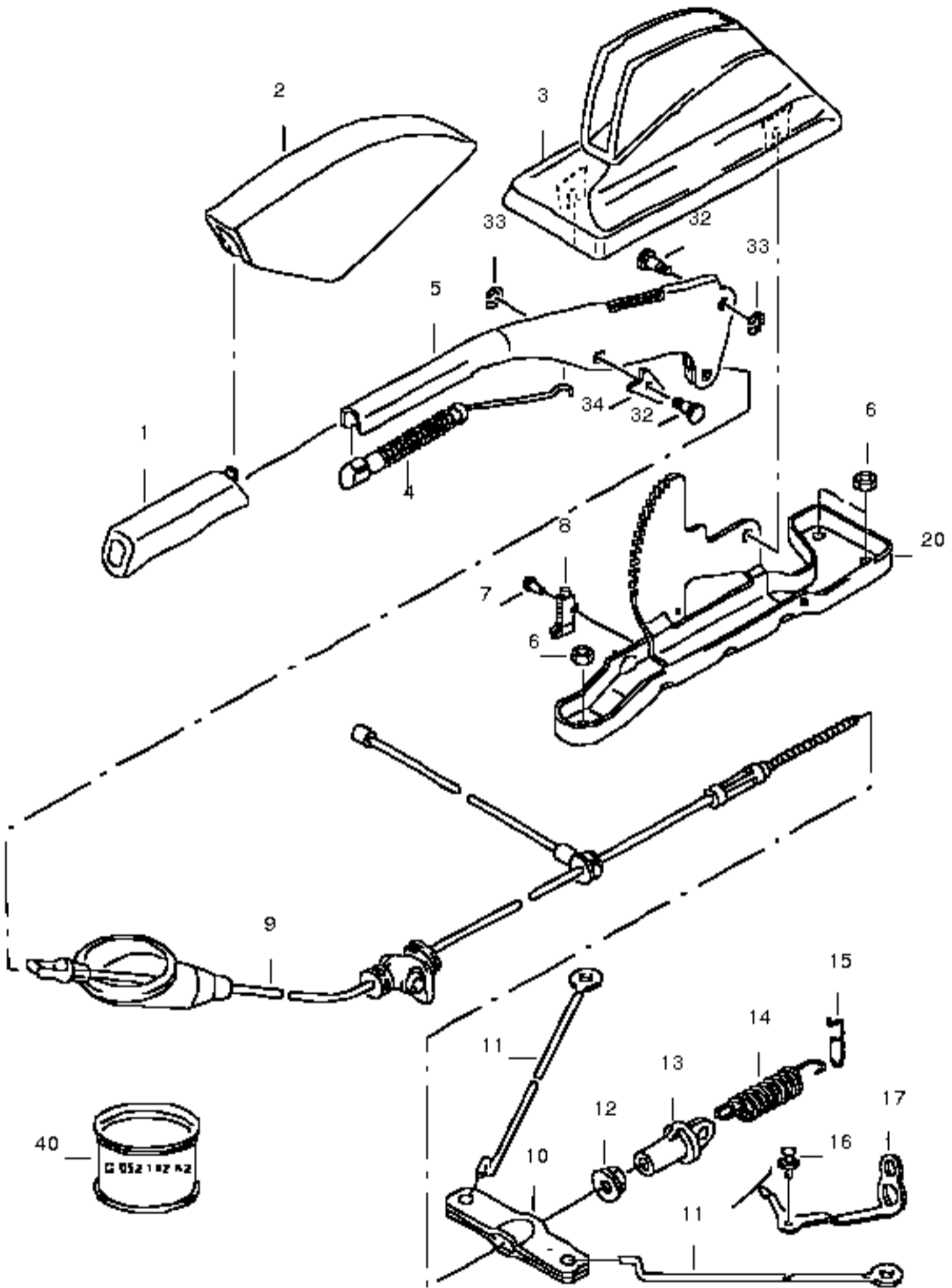
/ ACV,AJT,AUF,
/ AYY,AYC

(35) 7D2723507J
accelerator pedal with electronic modul / rhd / automatic
/ otto engine:

/ APL,AVT,AMV,
/ AXK

36 171721647
pad for accelerator pedal

38 7D0721193
stop for accelerator pedal
for models with accelerator pedal electronic modul



hand brake lever

1 701711327A
handle
701711327A 01C satin black

(1) 7M0711327D
handbrake lever grip (leather)
7M0711327D E74 black
7M0711327D P53 sahara
7M0711327D R08 light beige

(1) 7D0711327A
handbrake lever grip (leather) / ATLANTIS,
/ FREESTYLE
7D0711327A KMY black/flannel grey
7D0711327A PEP black/red
7D0711327A PEQ black/blue

2 701711464
covering
hand brake lever
701711464 01C satin black
701711464 Q70 light beige
701711464 9UW sahara

3 701711463
handbrake lever trim
701711463 01C satin black
701711463 Q70 light beige
701711463 9UW sahara

4 7D0711323
push rod

(4) 7D0711323A
push rod
F 70-Y-047 411>> / chrome

5 7D1711301
hand brake lever / lhd

(5) 7D2711301
hand brake lever / rhd

6 N 90074401
hexagon nut, self-locking / M8
see illustration: / 947-00
see illustration: / 947-00

9 701711476A
pull cable / delivery van
/ kombi van
/ bus

(9) 707711476A
cable with roller and seal / pick-up
/ double cab

10 701711481
compensating lever

11 701711475
pull rod
for models with wheelbase: / 2920MM

(11) 721711475
pull rod
for models with wheelbase: / 3320MM

12 N 90286703
hex. nut, self-locking with washer / M6

13 701711367
spring retainer

14 701711247
tension spring / bus
/ delivery van
/ kombi van

(14) 707711247
tension spring / pick-up
for models with wheelbase: / 2920MM

(14) 727711247
tension spring
for models with wheelbase: / 3320MM / pick-up
/ double cab

15 7H0711249
retainer

16 447857909
clip

16 N 90634901
pop-rivet / A4X14

(17) 7D1711453B
bracket for brake cable

(17) 7D1711454B
bracket for brake cable / right

20 701711311
mounting for handbrake lever / lhd

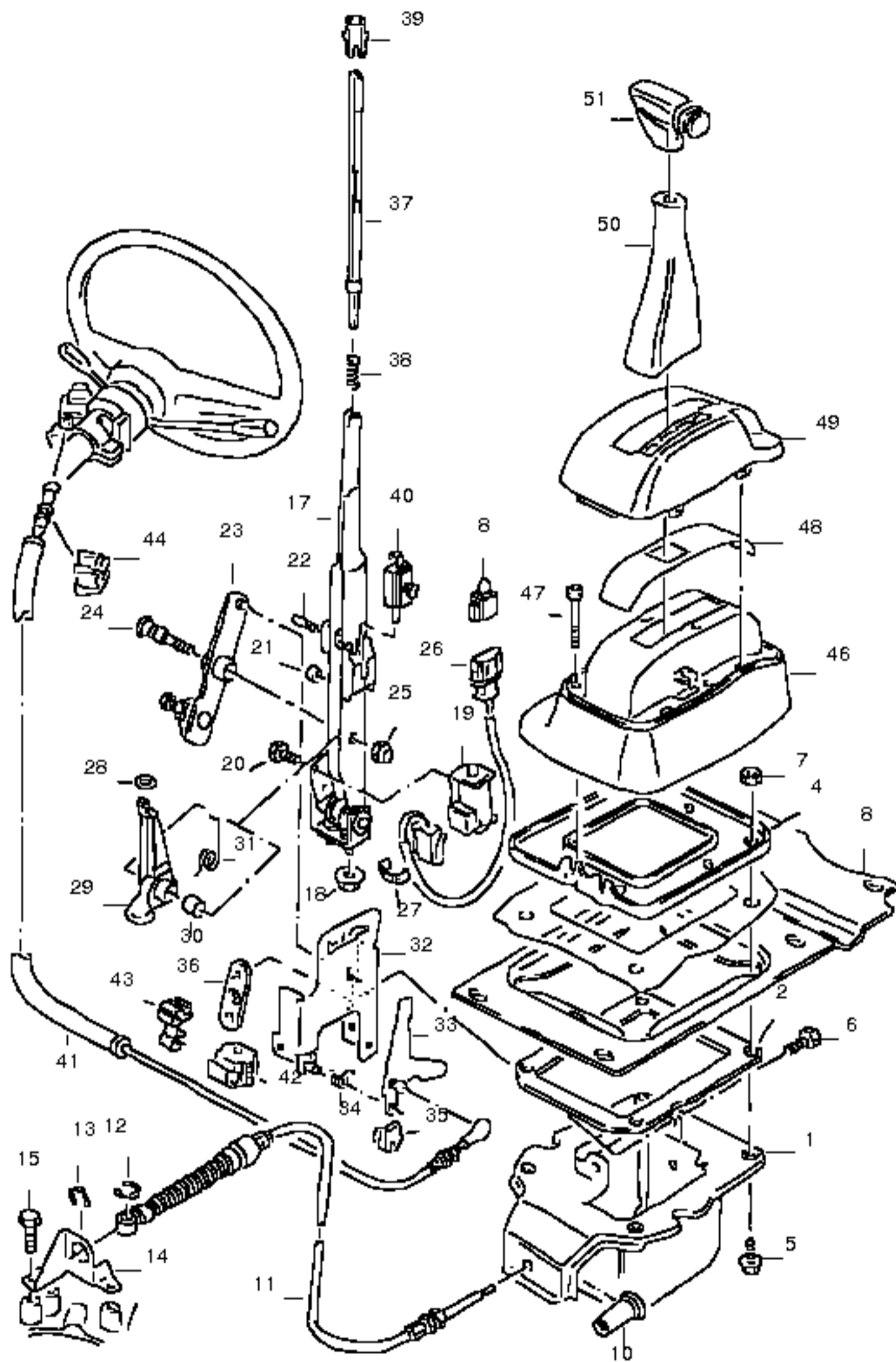
(20) 702711331
mounting for handbrake lever / rhd

32 N 90209501
pin / 8H11X13,25X
/ 9,75

33 N 0124373
lock washer / 7

34 251711321
pawl

40 G 052142A2
poly lubricant / 400G



shift mechanism / automatic

1 701713061B
gearshift housing / lhd

(1) 702713061B
gearshift housing / rhd

2 701713075
gasket

3 701801079
support plate

4 701713631A
frame / lhd

(4) 702713631
frame / rhd

5 N 10157902
hexagonal head bolt / M6X25

6 N 0102376
hexagonal head bolt / M8X12

7 N 01100624
hexagonal nut / M6

8 357919243A
bulb holder with bulb
for selector lever lighting
F >> 70-XH051 760
F >> 70-XX053 083 / lhd
F >> 70-XX067 240 / rhd
357919243A K25
green

(8) 357919243D
bulb holder with bulb / clear glass
for selector lever lighting
F 70-XH051 761>>
F 70-XX053 084>> / lhd
F 70-XX067 241>> / rhd
357919243D L55 red

10 701713167
grommet

11 701713265A
cable for shift mechanism / lhd

(11) 702713265E
cable for shift mechanism / rhd

12 N 0123292
lock washer / 9

13 357711280
lock washer

14 701713281
abutment / lhd

(14) 702713281
abutment / rhd

15 N 01021527
hexagonal head bolt / M6X15

17 701713123B
selector lever guide / lhd

(17) 702713123B
selector lever guide / rhd

18 N 90074401
hexagon nut, self-locking / M8

electro magnet
see illustration: / 927-50

20 N 0102631
hexagonal head bolt / M4X6

21 701713843
glide piece

22 701713133A
grub screw / lhd

(22) 702713133
grub screw / rhd

23 701713451C
relay lever

24 701713841A
shouldered bolt

25 N 10286102
shouldered hex. nut, self-locking / M10

wiring
see illustration: / 972-98

27 701971615A
clips

28 N 90448602
round seal / 4X1,5-N

29 701713835C
locking lever
also use: / 701 713 145 B
/ N 904 486 02

30 701713143A
bush

31 701713145B
leg spring

32 7D0713105
ball housing - gearshift lever

33 701713525B
locking lever

34 701713585B
leg spring

35 701713529
bearing piece

36 701827267A
threaded plate

37 701713413D
gearshift lever

38 171713149
pressure spring

39 357713828
bush
starter inhibitor switch / rhd
see illustration: / 927-50

41 701713575
locking cable / lhd

(41) 702713575A
locking cable / rhd

42 701713849
clip

43 N 10298801
retainer / A01-6XC06-8

44 701927421
clips

46 701713603A
console / lhd
701713603A 01C
satin black

(46) 702713603
console / rhd
702713603 01C satin black

47 N 0441731
fillister hd. bolt / BM4X55X22
/ lhd

(47) N 0141244
fillister hd. bolt / M4X35

48 701713605
cover strips
701713605 01C satin black

49 701713607
trim for shift mechanism / lhd
701713607 01C satin black

(49) 702713607
trim for shift mechanism / rhd
702713607 01C satin black

50 701713609A
lining
701713609A 01C satin black

51 7D1713139
gearstick knob / chrome
/ lhd

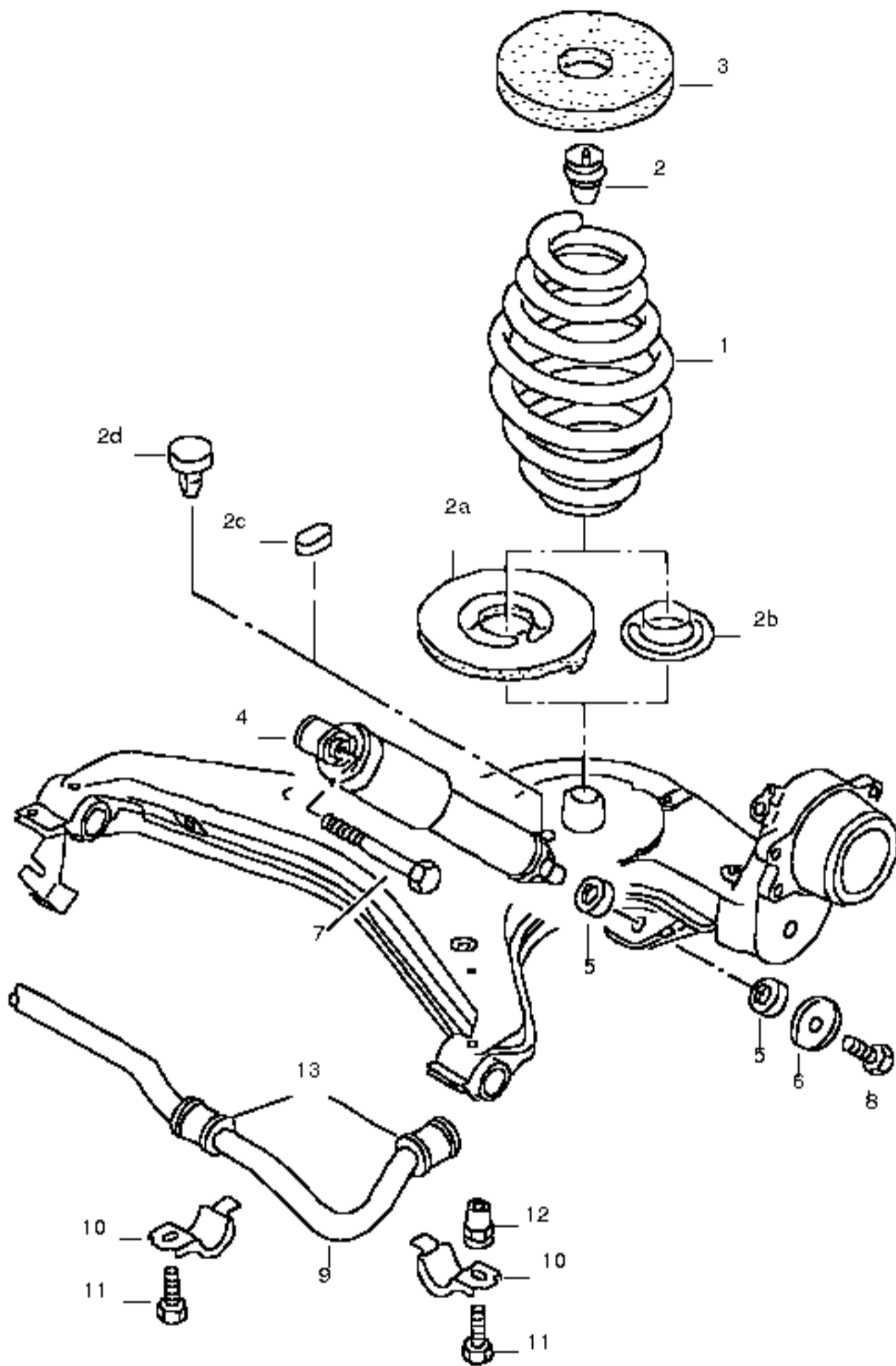
(51) 7D2713139
gearstick knob / chrome
/ rhd

(51) 7M1713139B
gearstick knob (leather) / lhd
7M1713139B E74 black

(51) 7M1713139C
gearstick knob (leather) / lhd
press stud / chrome
7M1713139C E74 black / -AP,AQ,KQ,KR, / KS,MA,RW,RX, / RY,RZ,UC,WL, / YQ,YR,51
7M1713139C KMY black/flannel grey / -22,41
7M1713139C PEP black/red / -43
7M1713139C PEQ black/blue / -44

(51) 7M2713139B
gearstick knob (leather) / rhd
7M2713139B E74 black

(51) 7M2713139C
gearstick knob (leather) / rhd
press stud / bright chrome
7M2713139C E74 black



suspension / rear stabilizer

1 701511105

coil spring / PR-1BA/1P0:

marked with: / violet / pick-up

for vehicles with payload of: / 1000KG / double cab

wheelbase: / 2920/3320MM

(1) 701511105C

coil spring / PR-1BA/1P0:

marked with: / white / delivery van

for vehicles with payload of: / 800/1000KG

wheelbase: / 2920/3320MM

(1) 701511105C

coil spring / PR-1BX,1BJ/

marked with: / white / 1P3:"MEX", / "BR.", "RA."

(1) 701511105C

coil spring / PR-1P2,1P3:

marked with: / white / kombi van

/ bus

/ MULTIVAN

/ CARAVELLE

(1) 701511105B

coil spring, heavy-duty / PR-1BA/1P0,

marked with: / red brown / 1BJ/1P0:

for vehicles with payload of: / 1200/2000KG / pick-up

wheelbase: / 2920/3320MM / double cab

(1) 701511105B

coil spring, heavy-duty / PR-1BJ/1P0,

marked with: / red brown / 1BJ/1P3:

for vehicles with payload of: / 1000/1200KG / pick-up

wheelbase: / 2920/3320MM / double cab

(1) 701511105B

coil spring, heavy-duty / PR-1P2,1P3:

marked with: / red brown / pick-up

for vehicles with payload of: / 1000KG / double cab

wheelbase: / 2920/3320MM

(1) 701511105F

coil spring / PR-1P7:

marked with: / opal green / ambulance

(1) 701511105K

coil spring / CAMPER

marked with: / yellow

(1) 701511105K

coil spring / PR-E12:

marked with: / yellow / ambulance

(1) 701511105K

coil spring / PR-E5J:

marked with: / yellow / delivery van

(1) 701511105L

coil spring / PR-1P4

marked with: / grey

for vehicles with lowered running gear

(1) 701511105L

coil spring / PR-1BU/1P9

marked with: / grey

for sports-type running gear

(1) 701511105M

coil spring / PR-1BA/1P0:

marked with: / pink / deliv. van,

for vehicles with payload of: / 1200KG / kombi van

wheelbase: / 2920/3320MM / bus

/ MULTIVAN

/ CARAVELLE

(1) 701511105M

coil spring / PR-1P2,1P3:

marked with: / pink / delivery van

for vehicles with payload of: / 1000KG

wheelbase: / 2920/3320MM

(1) 701511105M

coil spring / PR-1BJ/1P3:

marked with: / pink / delivery van

(1) 701511105M

coil spring / PR-1BJ,1BX/

marked with: / pink / 1P0:"MEX", / "BR.", "RA."

(1) 701511105M

coil spring / PR-E46:

marked with: / pink / police

(1) 701511105P

coil spring / PR-1BA/1P0:

marked with: / light blue / kombi van

for vehicles with payload of: / 800/1000KG / bus

wheelbase: / 2920/3320MM / MULTIVAN / CARAVELLE

2 701501191

stop buffer

(2B) 7D0511143

cap / lower / PR-1BA/1P0,

for vehicles with payload of: / 800/1000KG / 1P1:BUS

wheelbase: / 2920/3320MM / kombi, / MULTIVAN / CARAVELLE

2B 7D0511143

cap / lower / CAMPER

(2B) 7D0511143

cap / lower / PR-E12,1P7: / ambulance

2B 7D0511143

cap / lower / PR-E5J: / delivery van

2D 7D0511137

stop buffer / lower / PR-1BA/1P0:

for vehicles with payload of: / 800/1000KG / deliver.van;

wheelbase: / 2920/3320MM / PR-1BJ/1P3: / delivery van

2D 7D0511137

stop buffer / lower / PR-1BA/1P0:

for vehicles with payload of: / 1200KG / deliv. van,

wheelbase: / 2920/3320MM / kombi van / bus

2D 7D0511137

stop buffer / lower / PR-1P2,1P3,

/ 1P4,1P9:

/ deliv. van,

/ bus

/ estate car;

2D 7D0511137

stop buffer / lower / PR-1BJ,1BX/

/ "MEX", "BR.",

/ "RA.";

/ kombi van

/ bus

2D 7D0511137

stop buffer / lower

F >>> 70-Y-200 000* / PR-1BA/1P0:

for vehicles with payload of: / 1200KG / MULTIVAN

wheelbase: / 2920/3320MM / CARAVELLE

2A 7D0511139

base / lower

F 70-1-000 001>>>* / PR-1BA/1P0:

for vehicles with payload of: / 1200KG / MULTIVAN,

wheelbase: / 2920/3320MM / CARAVELLE

2D 7D0511137

stop buffer / lower

F >>> 70-Y-200 000* / PR-1P2,1P3,

/ 1P4,1P9: / MULTIVAN, / CARAVELLE

2A 7D0511139

base / lower

F 70-1-000 001>>>* / PR-1P2,1P3,

/ 1P4,1P9: / MULTIVAN, / CARAVELLE

2D 7D0511137

stop buffer / lower

F >>> 70-Y-200 000* / PR-1BX/

/ "MEX", "BR.",

/ "RA.";

/ MULTIVAN,

/ CARAVELLE

2A 7D0511139

base / lower

F 70-1-000 001>>>* / PR-1BJ,1BX/

/ "MEX", "BR.",

/ "RA.";

/ MULTIVAN,

/ CARAVELLE

2A 7D0511139

base / lower / PR-E46: / police

(3) 7D0511147A

base / upper / PR-2E2

for models with tyre size: / 15"

(3) 7D0511147B

base / upper / PR-2E3

for models with tyre size: / 16"

(3) 7D0511147B

base / upper / PR-E12:

/ ambulance

(3) 7D0511147B

base / upper / PR-E5J:

/ delivery van

(3) 7D0511147B

base / upper / PR-E46:

/ police

4 701513031C

heavy-duty shock absorber / PR-1BJ

4 701513031C

heavy-duty shock absorber / PR-1BJ/1P0:

for vehicles with payload of: / 1200/2000KG / pick-up

/ double cab

(4) 701513031C

heavy-duty shock absorber / PR-1BJ/1P3:

/ delivery van

(4) 701513031C

heavy-duty shock absorber / PR-1BJ/"MEX"

/ "BR.", "RA.";

/ kombi,

/ bus,

/ MULTIVAN,

/ CARAVELLE

(4) 701513031N

gas-filled shock absorber / PR-1BA/1P0:

for vehicles with payload of: / 800-1200KG / delivery van

(4) 701513031N

gas-filled shock absorber / PR-1BA/1P0:

for vehicles with payload of: / 1000/1200KG / pick-up

/ double cab

/ CAMPER

(4) 701513031N

gas-filled shock absorber / PR-1BA/1P0:

for vehicles with payload of: / 1200KG / kombi van

/ bus

/ MULTIVAN

/ CARAVELLE

(4) 701513031N

gas-filled shock absorber / PR-1P2,1P3,

/ 1P9:

/ kombi van

/ bus

/ MULTIVAN

/ CARAVELLE

(4) 701513031N

gas-filled shock absorber / PR-1BX/"MEX"

/ "BR.", "RA.";

/ kombi,

/ bus,

/ MULTIVAN,

/ CARAVELLE

(4) 701513031N

gas-filled shock absorber / PR-E12:

/ ambulance

(4) 701513031N

gas-filled shock absorber / PR-E5J:

/ delivery van

(4) 701513031N

gas-filled shock absorber / PR-E46:

/ police

(4) 701513031P

gas-filled shock absorber / PR-1BA/1P0:

for vehicles with payload of: / 800/1000KG / kombi van

/ bus

/ MULTIVAN

/ CARAVELLE

(4) 701513031P

gas-filled shock absorber / PR-1P7:

/ ambulance

(4) 701513031P

gas-filled shock absorber / PR-1P4:

for vehicles with lowered running gear / deliv. van,

/ kombi van

/ bus

/ MULTIVAN

/ CARAVELLE

5 701513121

pipe clip

6 251413431

plate for damping ring

7 N 10170801

hexagonal head bolt / M12X1,5X80

8 N 10228901

hexagonal head bolt / M10X1X24

(9) 701511407C

stabilizer, complete / 26MM / PR-0BB

(9) 7D0511407

stabilizer, complete / 20MM / PR-0BC

(9) 7D0511407A

stabilizer, complete / 28MM / PR-0BD

10 701511417

pipe clip

11 N 01024222

hexagonal head bolt / M8X25

12 N 90408501

rivitted cap nut / M8

for models with rear anti-roll bar

F >>> 70-3-063 093

(12) N 90942001

rivitted cap nut / M8

for models with rear anti-roll bar

F 70-3-063 094>>>

13 701511413

rubber mounting / PR-0BB

for models with rear anti-roll bar

(13) 7D0511413

rubber mounting / PR-0BC

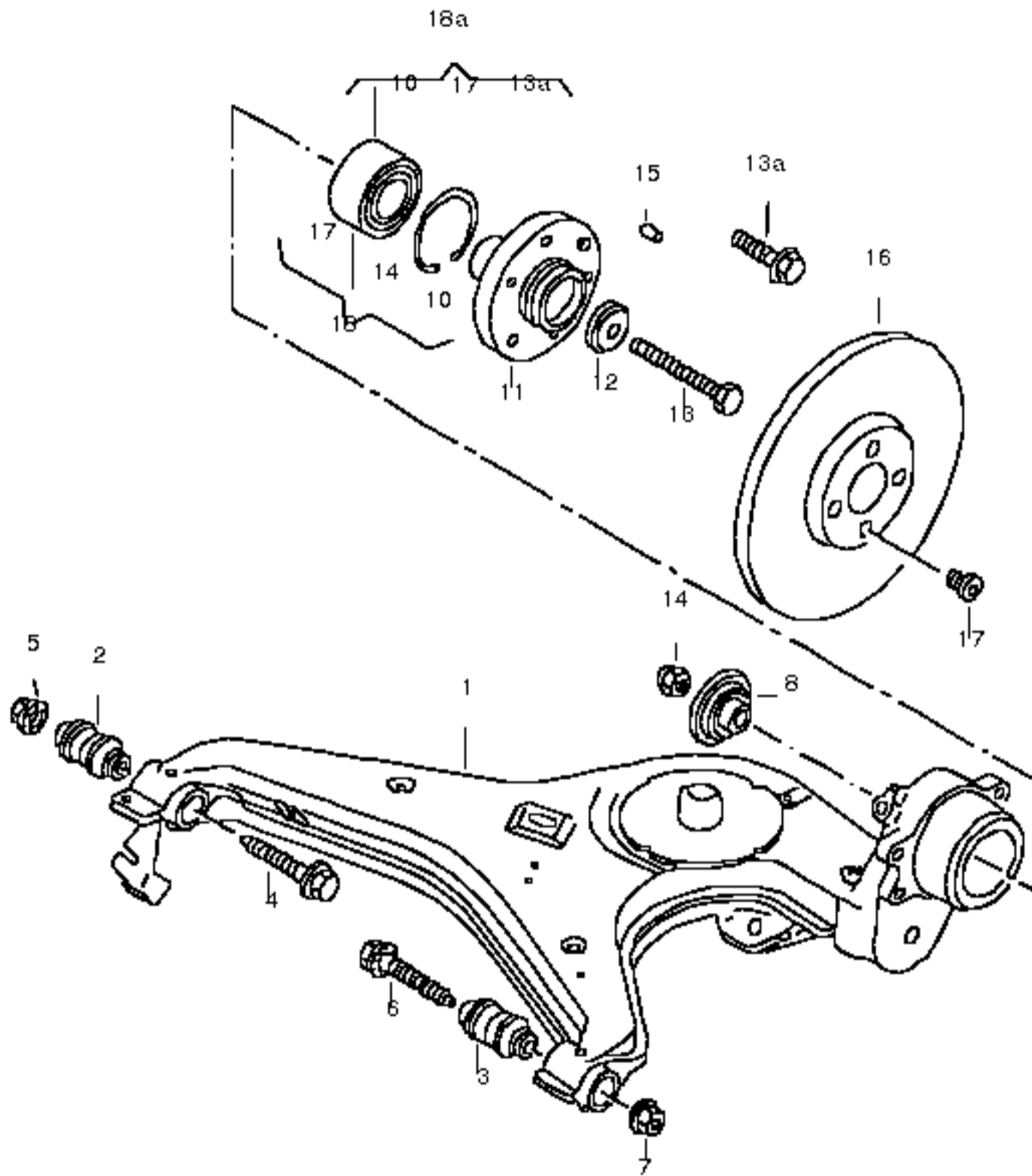
for models with rear anti-roll bar

(13) 7D0511413A

rubber mounting / PR-0BD

for models with rear anti-roll bar

- N 0



trailing arm / rear / AAC,AET,APL,
 / AVT,AEU,AMV,
 / ABL,AJA,AJT,
 / ACV,AUF,AHY,
 / AXG,AYC,AES,
 / AYY

(1) 701501403S
 trailing arm / left / PR-2E2
 use if required: / 191 501 159

(1) 7D0501403
 trailing arm / left / PR-2E3

(1) 701501404S
 trailing arm / right / PR-2E2
 use if required: / 191 501 159

(1) 7D0501404
 trailing arm / right / PR-2E3

- 191501159
 plug
 for models without anti-locking system

2 251501131A
 rubber mounting / inner

3 701501131
 bonded rubber mounting / outer

4 N 90498102
 bolt, hex. hd. with pin (combi) / M12X1,5X108-SP

5 N 90535701
 hexagon nut, shouldered / M12X1,5

6 N 90490202
 bolt, hex. hd. with pin (combi) / M14X1,5X112

7 N 90535801
 hexagonal nut / M14X1,5

8 701501281
 tensioning washer

(8) 701501280A
 lock washer with rotor
 for models with anti-lock brake system -abs-

10 N 0123501
 securing ring / 80X2,5

(11) 7D0501647A
 wheel hub

12 701501283
 fitted washer / 45X10X16,5

(13) N 10171402
 hexagonal head bolt / M16X1,5X120

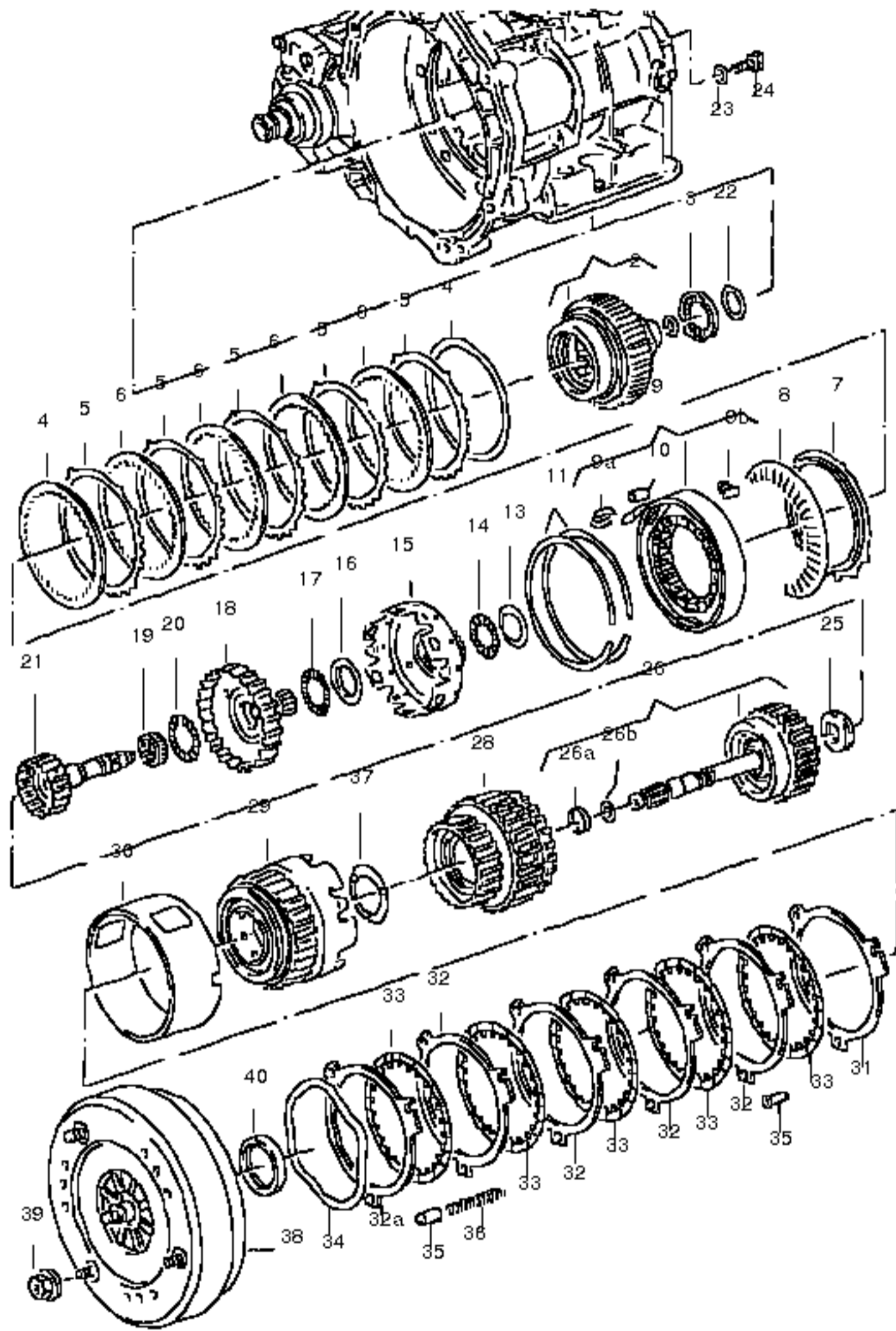
14 N 10256602
 shouldered hex. nut, self-locking / BM16X1,5

15 N 10216601
 spring pin / 13X16
 Brake Disc
 see illustration: / 615-60

17 N 90571201
 allen key head bolt / M10X25X15

18 701598625
 wheel bearing with mounting parts
 for vehicles with payload of: / 800-1200KG

(18) 701598625B
 wheel bearing with mounting parts / PR-0J4
 for vehicles with payload of: / 2000KG



forward, reverse gear clutch
 planet pinion carrier
 converter
 for 4-speed automatic gearbox
 forward, reverse gear clutch / DNA,DNC,DXS, / DML,DND,DNE,
 planet pinion carrier / DNF,EQG,EQB,
 converter / EQD,EQE,EQF,
 for 4-speed automatic gearbox / EQJ

(1) 095323301Q
 planet pinion carrier / DNE,DNF,DML,
 / DNA,DNC,DND,
 / EQE,EQF,EQB,
 / EQD,EQJ

(1) 095323301L
 planet pinion carrier / DXS,EQG

2 095323737
 round seal / 19X2,5

3 095323743A
 axial bearing

4 095323433
 adjusting washer / 1

(4) 095323433A
 adjusting washer / 1,1

(4) 095323433B
 adjusting washer / 1,2

(4) 095323433C
 adjusting washer / 1,3

(4) 095323433D
 adjusting washer / 1,4

(4) 095323433E
 adjusting washer / 1,5

(4) 095323433F
 adjusting washer / 1,6

(4) 095323433G
 adjusting washer / 1,7

(4) 095323433H
 adjusting washer / 1,8

(4) 095323433J
 adjusting washer / 1,9

5 095323227A
 external disc / DNE,DNF,DXS, / EQJ

5 095323227A
 external disc / DML,DNA,DNC / DND

6 095323231C
 driving disc / DNE,DNF,DXS, / EQJ

6 095323231C
 driving disc / DML,DNA,DNC / DND

7 095323297B
 pressure plate / 10,5 / DNE,DNF,DXS, / EQJ

(7) 095323297D
 pressure plate / 13,5 / DML,DNA,DNC / DND

8 095323295A
 concave washer (internal teeth)

9 095323383
 1.gear-freewheel

9A 095323479B
 piston

9B 095323643
 spring

10 N 90351101
 cylindrical roller / 8X12

11 095323653
 securing ring

12 095323287F
 sun gear / DXS,EQG

13 095323715
 thrust washer

14 095323727B
 axial roller bearing / 39

(15) 095323329P
 driving shell / EQJ,DNA,DNC,
 / DNF,DML,,DND,
 / DNE,EQF,EQB,
 / EQD,EQE

(15) 095323329M
 driving shell / DXS,EQG

16 095323714A
 thrust washer

17 095323708
 axial roller bearing

18 095323901B
 propshaft

19 095323907
 needle cage

20 095323909
 axial roller bearing

21 095323911F
 propshaft

22 095323739
 adjusting washer / 1

(22) 095323739H
 adjusting washer / 1,1

(22) 095323739J
 adjusting washer / 1,2

(22) 095323739K
 adjusting washer / 1,3

(22) 095323739L
 adjusting washer / 1,4

(22) 095323739B
 adjusting washer / 1,5

(22) 095323739M
 adjusting washer / 1,6

(22) 095323739N
 adjusting washer / 1,7

(22) 095323739P
 adjusting washer / 1,8

(22) 095323739Q
 adjusting washer / 1,9

23 N 90107604
 washer / 8,2X18X2

24 N 01024118
 hexagonal head bolt / M8X22

25 095323919B
 axial bearing

26 01M323921DX
 clutch / 3./4.gear / DNE,DNF,DXS, / EQE,EQF,EQG
 to remove: / G 13 129>>
 friction bearing
 see workshop manual

(26) 01M323921CX
 clutch / 3./4.gear / DNC,DML,DNA, / DND,EQB,EQD
 to remove: / G 13 129>>
 friction bearing
 see workshop manual

(26) 01M323921EX
 clutch / 3./4.gear / EQJ,EQE,EQF,
 to remove: / G 13 129>> / EQG
 friction bearing
 see workshop manual

26A 095323557B
 piston ring / 30MM

26B 01M323255
 round seal / 30X2,5

(28) 01M323205CX
 clutch / 1st-3rd gear

(29) 01M323105DX
 reverse gear clutch / DNE,DNF,DXS, / EQE,EQF,EQG, / EQJ

(29) 01M323105CX
 reverse gear clutch / DNC,DML,DNA, / DND,EQB,EQD

30 097323455B
 support tube / 64,9 / DXS,DML,DND,
 / DNE,DNF,EQG,
 / EQB,EQD,EQE,
 / EQF,EQJ

(30) 097323455A
 support tube / 68,6 / DNA,DNC

31 097323463C
 external disc / 3

32 097323463
 external disc / 2 / DNA,DNC

(32) 097323463
 external disc / 2 / DXS,DML,DND,
 / DNE,DNF,EQG,
 / EQB,EQD,EQE,
 / EQF,EQJ

32A 097323463C
 external disc / 3

33 095323465F
 driving disc / DNA,DNC

(33) 095323465F
 driving disc / DXS,DML,DND,
 / DNE,DNF,EQG,
 / EQB,EQD,EQE,
 / EQF

(33) 095323465F
 driving disc / EQJ

34 01M323821
 retaining ring

34A 01M323820
 adjusting washer / 1

(34A) 01M323820A
 adjusting washer / 1,25

(34A) 01M323820B
 adjusting washer / 1,5

(34A) 01M323820C
 adjusting washer / 1,75

35 097323515
 pot

36 01M323505
 pressure spring / 55,5MM / DNA,DNC

(36) 01M323505A
 pressure spring / 60MM / DXS,DML,DND,
 / DNE,DNF,EQG,
 / EQB,EQD,EQE,
 / EQF,EQJ

37 095323345
 adjusting washer / 1
 / light blue

(37) 095323345A
 adjusting washer / 1,2
 / light green

(37) 095323345B
 adjusting washer / 1,4
 / natural

(37) 095323345C
 adjusting washer / 1,6
 / black

(37) 095323345D
 adjusting washer / 1,8
 / grey

(38) 099323571E
 converter / EQD,EQB,DNA,
 code letter: / QBDD,QBDC / DNC,DND,DML

(38) 099323571EX
 converter / EQD,EQB,DNA,
 code letter: / QBDD/QBDC / DNC,DND,DML

(38) 099323571G
 converter / DNE,DNF,EQE,
 code letter: / QCDJ/QCDT / EQF,EQH

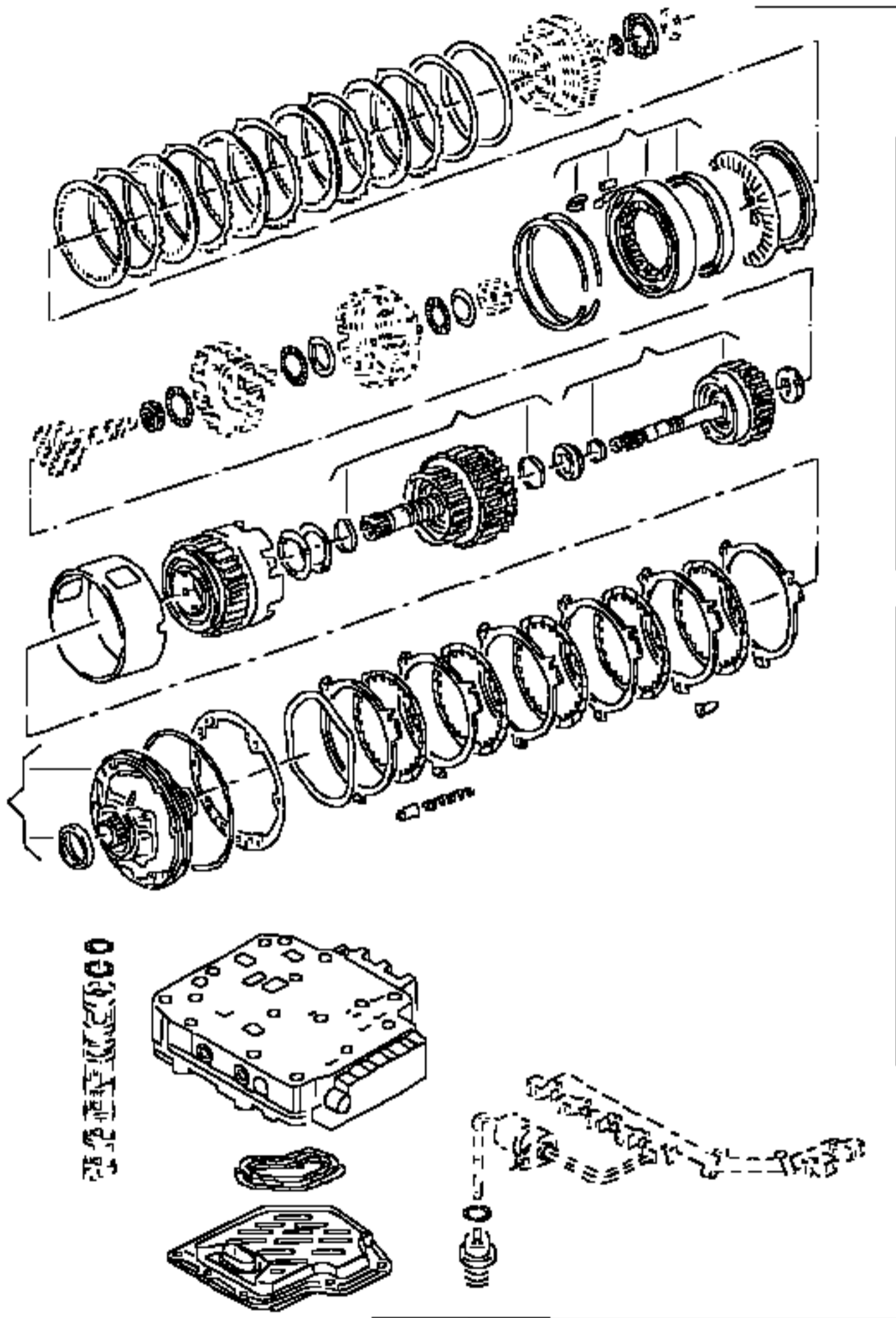
(38) 099323571GX
 converter / EQE,EQF,EQH
 code letter: / QCDJ

(38) 099323571K
 converter / EQJ
 code letter: / QDDJ

(38) 099323571M
 converter / DXS,EQG
 code letter: / QDED/QDDC

(38) 099323571MX
 converter / EQG,DXS
 code letter: / QDED/QDDC

39 N 10169201
 hexagonal nut / M10X1
 see illustration: / 321-55



gear change components with valve chest

for 4-speed automatic gearbox

gear change components with valve chest / DNA,DNC,DXS, / DML,DND,DNE,

for 4-speed automatic gearbox / DNF,EQG,EQB, / EQD,EQE,EQF

(1) 01N321025BX

gear change components with valve chest / DNA,DNC

for 4-speed automatic gearbox

also use: / 098 321 370

/ 01P 321 488

(1) 01N321025DX

gear change components with valve chest / DNE,DNF,DXS, / EQE,EQF,EQG

for 4-speed automatic gearbox

also use: / 098 321 370

/ 01P 321 488

(1) 099321025CX

gear change components with valve chest / DML,DND,EQB, / EQD

for 4-speed automatic gearbox

also use: / 098 321 370

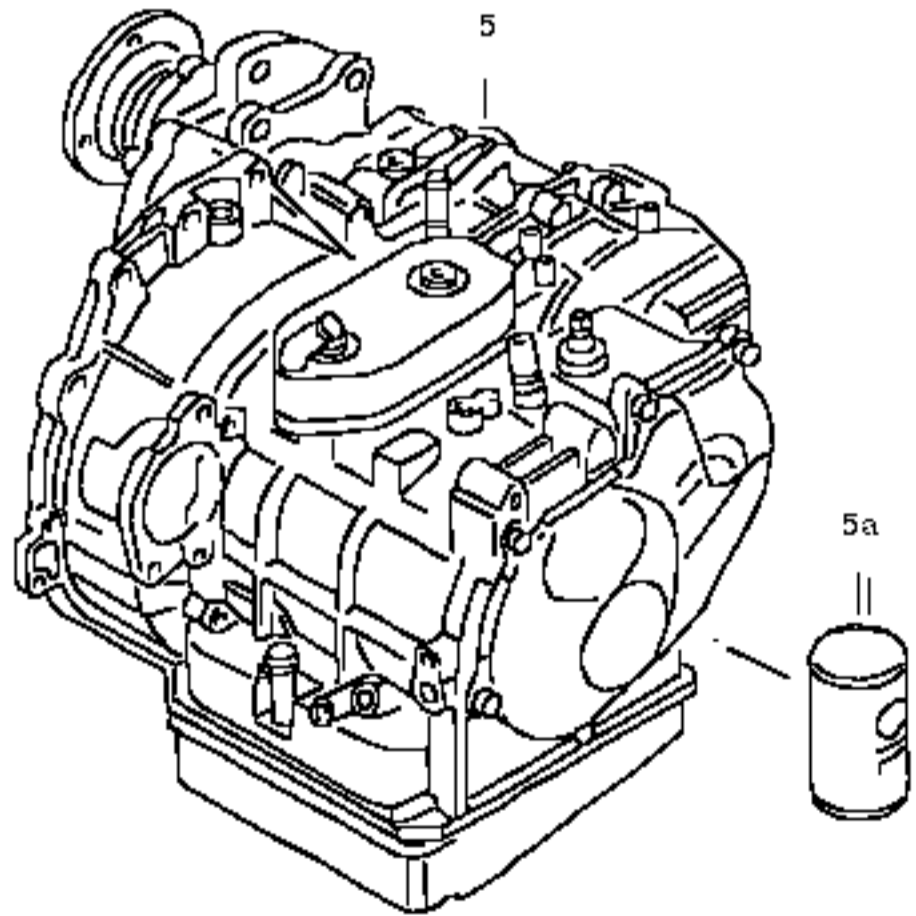
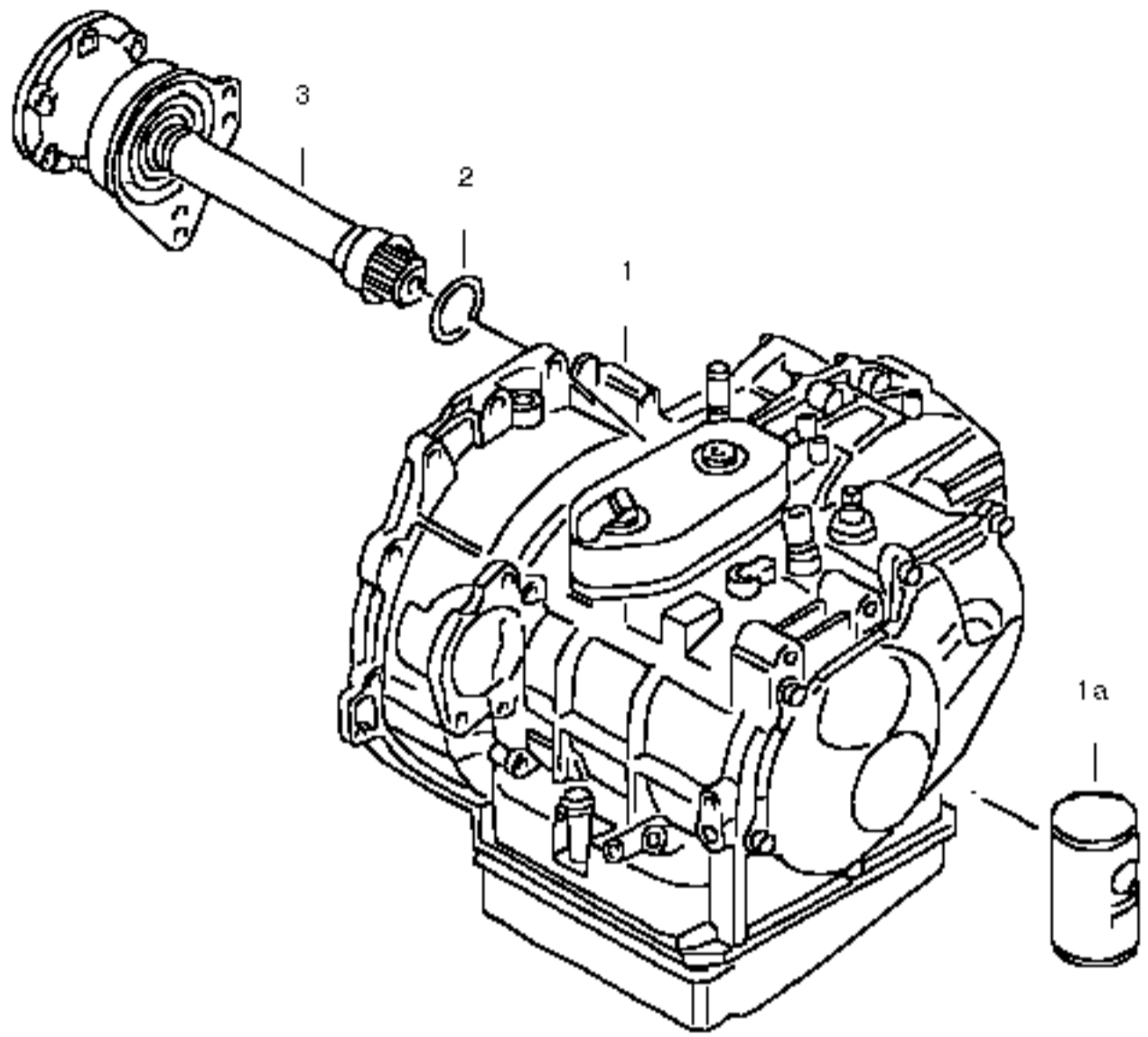
/ 01P 321 488

- 098321370

gasket

- 01P321488

gasket



gearbox, complete

4 speed automatic gearbox

gearbox, complete / DNA,DNC,DXS,

4 speed automatic gearbox / DML,DND,DNE,

/ DNF,EQB,EQE,

/ EQF,EQG,EQD,

/ EQJ

1 01P300055PX

4-speed automatic gearbox without flange shaft / 71/18 / DNF

/ right

also use: / 068 145 119

(1) 01P300056F

4-speed automatic gearbox without flange shaft / 71/18 / EQF,DNF

/ right

also use: / 068 145 119

(1) 01P300056FX

4-speed automatic gearbox without flange shaft / 71/18 / EQF

/ right

also use: / 068 145 119

(1) 01P300055JX

4-speed automatic gearbox without flange shaft / 72/17 / DML

/ right

also use: / 068 145 119

(1) 01P300056B

4-speed automatic gearbox without flange shaft / 72/17 / EQB,DML

/ right

also use: / 068 145 119

(1) 01P300056BX

4-speed automatic gearbox without flange shaft / 72/17 / EQB

/ right

also use: / 068 145 119

(1) 01P300055K

4-speed automatic gearbox without flange shaft / 72/17 / DNA

/ right

also use: / 068 145 119

(1) 01P300055KX

4-speed automatic gearbox without flange shaft / 72/17 / DNA

/ right

also use: / 068 145 119

(1) 01P300055LX

4-speed automatic gearbox without flange shaft / 73/16 / DND

/ right

also use: / 068 145 119

(1) 01P300056D

4-speed automatic gearbox without flange shaft / 73/16 / EQD/DND

/ right

MITVERWENDEN: / 068 145 119

(1) 01P300056DX

4-speed automatic gearbox without flange shaft / 73/16 / EQD

/ right

MITVERWENDEN: / 068 145 119

(1) 01P300055MX

4-speed automatic gearbox without flange shaft / 73/16 / DNC

/ right

also use: / 068 145 119

(1) 01P300055NX

4-speed automatic gearbox without flange shaft / 70/19 / DNE

/ right

also use: / 068 145 119

(1) 01P300056E

4-speed automatic gearbox without flange shaft / 70/19 / EQE,DNE

/ right

also use: / 068 145 119

(1) 01P300056EX

4-speed automatic gearbox without flange shaft / 70/19 / EQE

/ right

also use: / 068 145 119

(1) 01P300055QX

4-speed automatic gearbox without flange shaft / 70/19 / DXS

/ right

also use: / 068 145 119

(1) 01P300056G

4-speed automatic gearbox without flange shaft / 70/19 / EQG,DXS

/ right

also use: / 068 145 119

(1) 01P300056GX

4-speed automatic gearbox without flange shaft / 70/19 / EQG

/ right

also use: / 068 145 119

(1) 01P300056

4-speed automatic gearbox without flange shaft / 72/17 / EQJ

/ right

also use: / 068 145 119

(1) 01P300056 X

4-speed automatic gearbox without flange shaft / 72/17 / EQJ

/ right

also use: / 068 145 119

1A G 052162A2

atf (automatic transm. fluid) / 1.0 ltr.

for automatic gearbox

filling quantity: / 5.25 ltr. / DNA,DNC,DXS,

/ DML,DND,DNE,

/ DNF,EQB,EQE,

/ EQF,EQG,EQD,

/ EQJ

alternatively: / G 052 162 A1

alternatively: / G 052 162 A6

see workshop manual

- G 052162A1

atf (automatic transm. fluid) / 0.5ltr.

for automatic gearbox

- G 052162A6

atf (automatic transm. fluid) / 20ltr.

for automatic gearbox

(1A) G 052145S2

axle oil / 1.0 ltr.

for final drive

filling quantity: / 1.15 ltr.

alternatively: / G 052 145 A1

see workshop manual

- G 052145A1

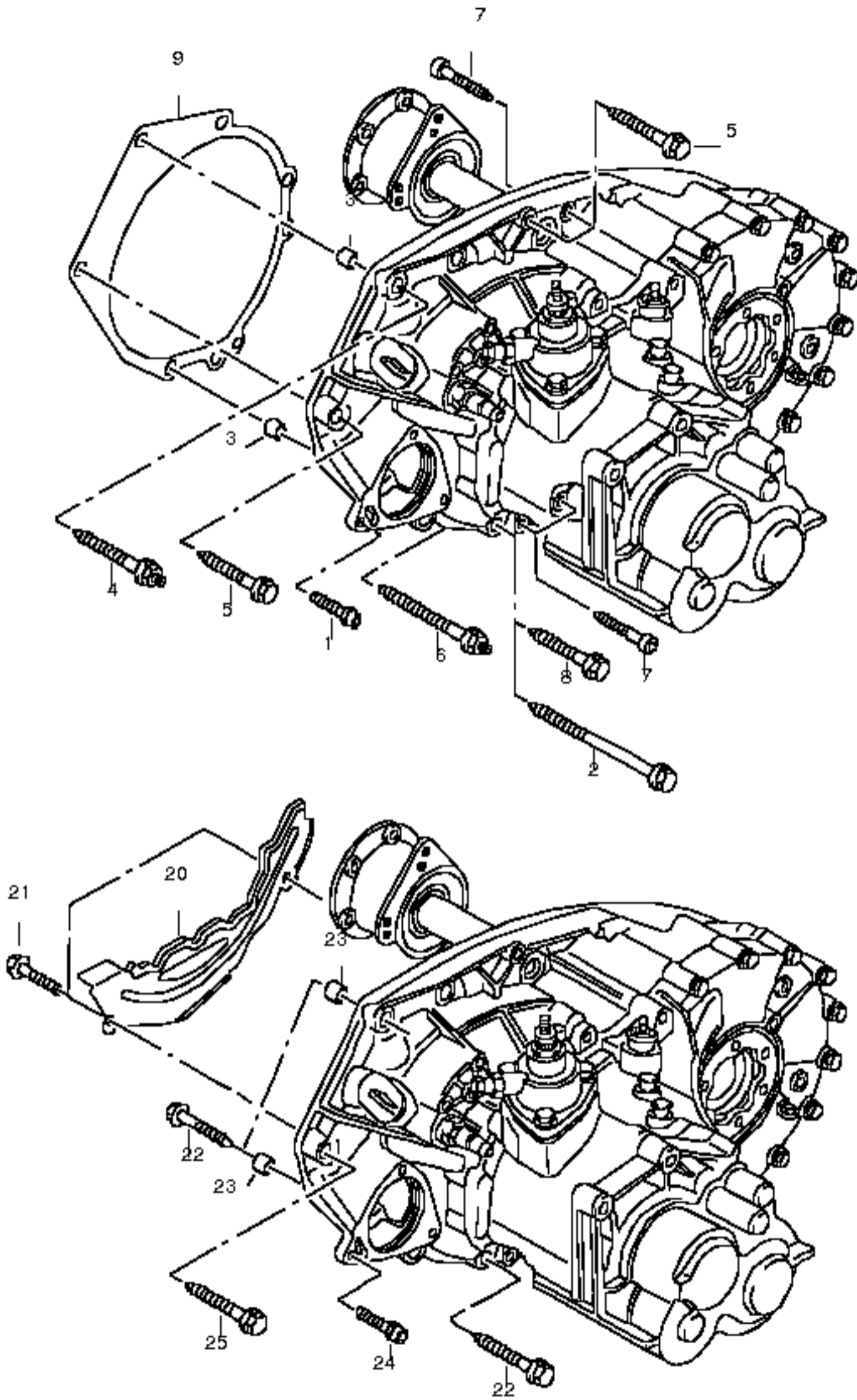
axle oil / 0.5ltr.

2 068145119

round seal / 36X42X3

flange shaft

see illustration: / 409-50



mounting parts for engine and transmission / 5/6 cylinder

5 speed manual gearbox

mounting parts for engine and transmission / 5-cylinder / AFK,EEZ,DXZ,
/ engine / DQR,FJS,FTV

5 speed manual gearbox

allen key head bolt

see illustration: / 911-..

(2) N 10217102

hexagon head bolt c/w shoulder / BM12X60X48

3 014301153

dowel sleeve / 16X12,8

4 N 90571601

double stud with hexagon drive / AM12X60/M8X10

(5) N 10217102

hexagon head bolt c/w shoulder / BM12X60X48

6 N 90571701

double stud with hexagon drive / AM12X100/M8X10

7 N 90424201

allen key head bolt / M8X45

(8) N 10217102

hexagon head bolt c/w shoulder / BM12X60X48

cover panel

see illustration: / 103-30

mounting parts for engine and transmission / 6 cylinder / AFL,DYA

5 speed manual gearbox

20 02G301157

cover panel / M8X25

21 N 0195024

hexagon head bolt c/w shoulder / M8X25

(22) N 10217102

hexagon head bolt c/w shoulder / BM12X60X48

(23) 022103139

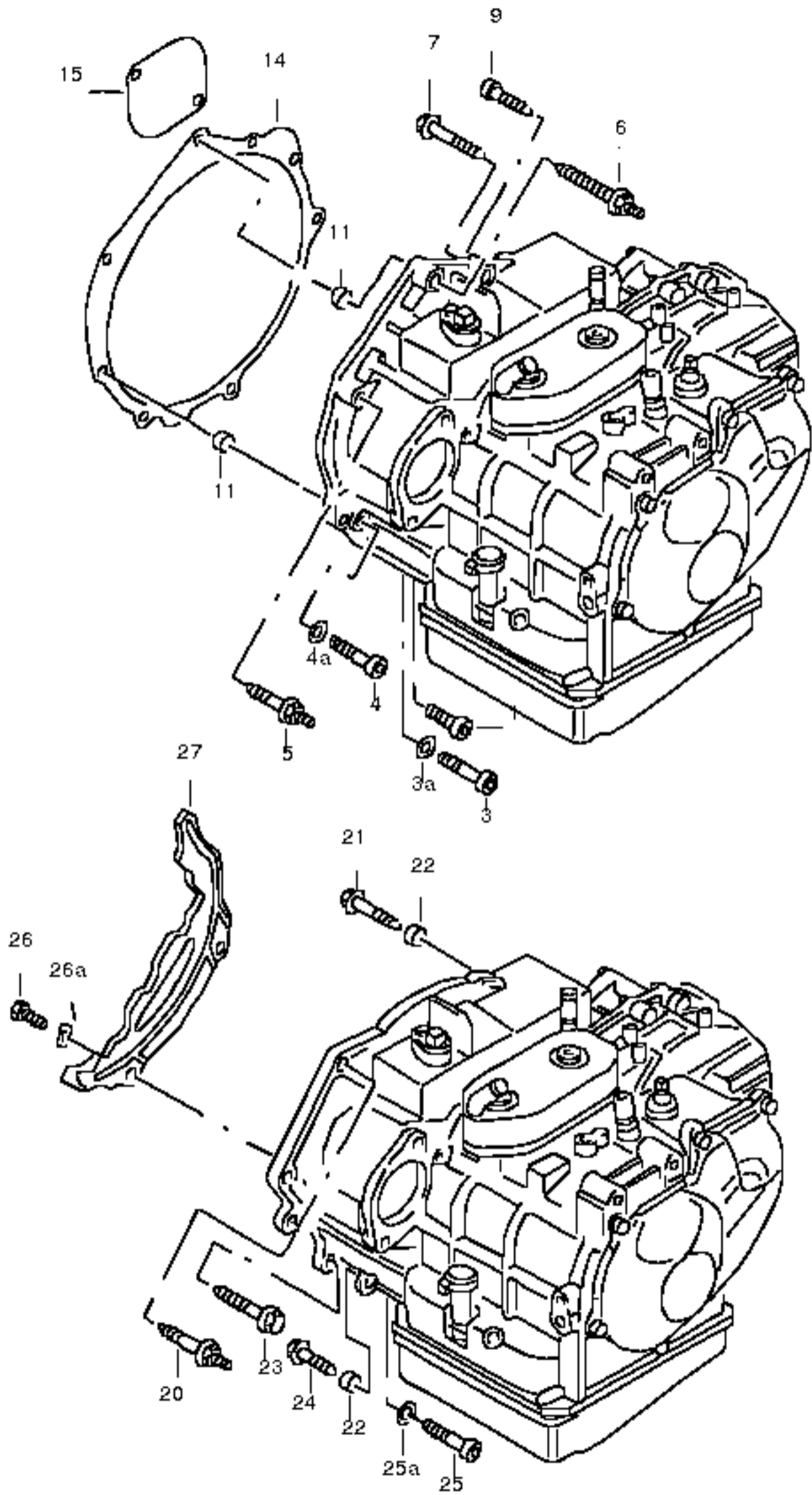
dowel sleeve / 16X13,5

hexagonal head bolt

see illustration: / 911-..

25 N 90571601

double stud with hexagon drive / AM12X60/M8X10



mounting parts for engine and transmission

for 4-speed automatic gearbox

mounting parts for engine and transmission / DNA,DNC,DXS,

/ DML,DND,EQB,

for 4-speed automatic gearbox / EQD,EQG

1 N 90424201

allen key head bolt / M8X45

3 N 10226901

allen key head bolt / M12X55

3A N 0115641

washer / 13X20X2

4 N 10226901

allen key head bolt / M12X55

4A N 0115641

washer / 13X20X2

5 N 90571601

double stud with hexagon drive / AM12X60/M8X10

6 N 90571601

double stud with hexagon drive / AM12X60/M8X10

(7) N 10217102

hexagon head bolt c/w shoulder / BM12X60X48

9 N 90424201

allen key head bolt / M8X45

11 014301153

dowel sleeve / 16X12,8

cover panel

see illustration: / 103-30

cover panel

see illustration: / 103-30

mounting parts for engine and transmission / DNE,DNF,EQE, / EQF,EQJ

for 4-speed automatic gearbox

20 N 90571601

double stud with hexagon drive / AM12X60/M8X10

21 N 10337902

hexagon head bolt c/w shoulder / AM12X65

22 014301153

dowel sleeve / 16X12,8

23 N 10337902

hexagon head bolt c/w shoulder / AM12X65

24 N 10337902

hexagon head bolt c/w shoulder / AM12X65

25 N 10226901

allen key head bolt / M12X55 / DNE,DNF,EQE, / EQF

(25) N 90596902

bolt, hex. hd. with shoulder, self-locking / M10X55-SW16KL / EQJ

25A N 0115641

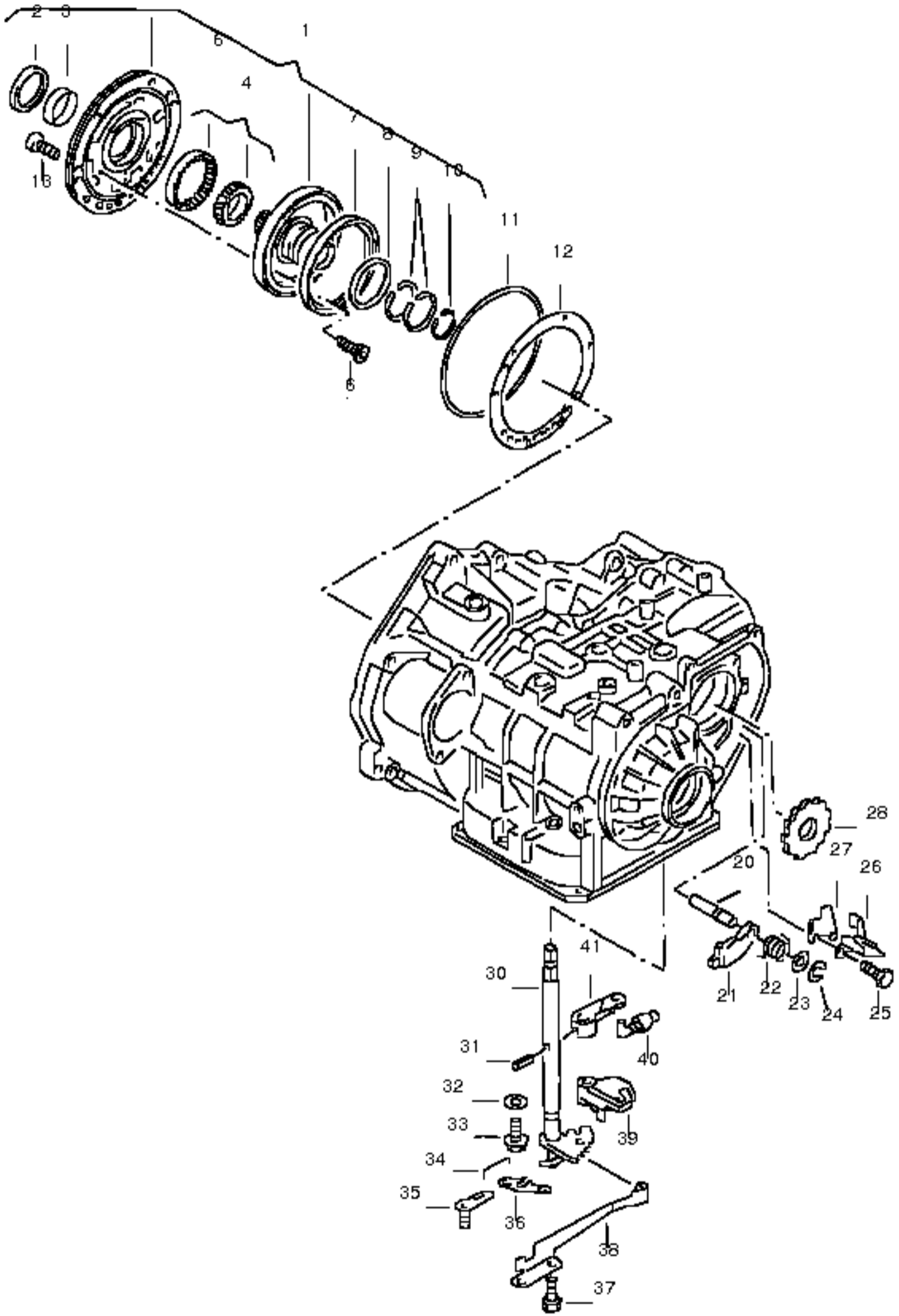
washer / 13X20X2

26 N 0102276

bolt, hexagon head self-locking / M7X12

27 096409157B

cover plate



oil pump
shift rod
for 4-speed automatic gearbox
oil pump / DML,DNA,DXS,
shift rod / DND,DNC,DNE,
for 4-speed automatic gearbox / DNF,EQB,EQG,
/ EQD,EQE,EQF,
/ EQJ

1 01M321241B
oil pump

2 095321243A
radial shaft seal / 51X65X7
no replacement part

4 01M321263
gear set

6 N 10119301
socket head csk. torx screw / GM6X14

7 095321531C
piston

8 095321285
thrust washer

9 095321261A
piston ring

10 095321262
piston ring

11 095321386
round seal / 188X3

12 01M321385
gasket

13 N 90582902
bolt, with multi-spilne socket head / EM6X27

20 095321123B
pin - engagement lever

21 098321119
lever for parking lock

22 098321121A
tension spring

23 095323313
thrust washer

24 N 0124412
lock washer / 10

25 N 90533002
hexagon head bolt (combi) / M6X20

26 095321482A
guide plate

27 095321485B
support plate
wheel-parking lock
see illustration: / 323-70

30 098321173A
shift rod

31 N 90548701
spring sleeve / 5,15X24

32 N 0115501
washer / B6,5X21X2

33 N 10029201
fillister head bolt with allen key head / M6X15

34 095325279C
operating rod

35 095325299
retaining clip screw

36 095321194A
lever

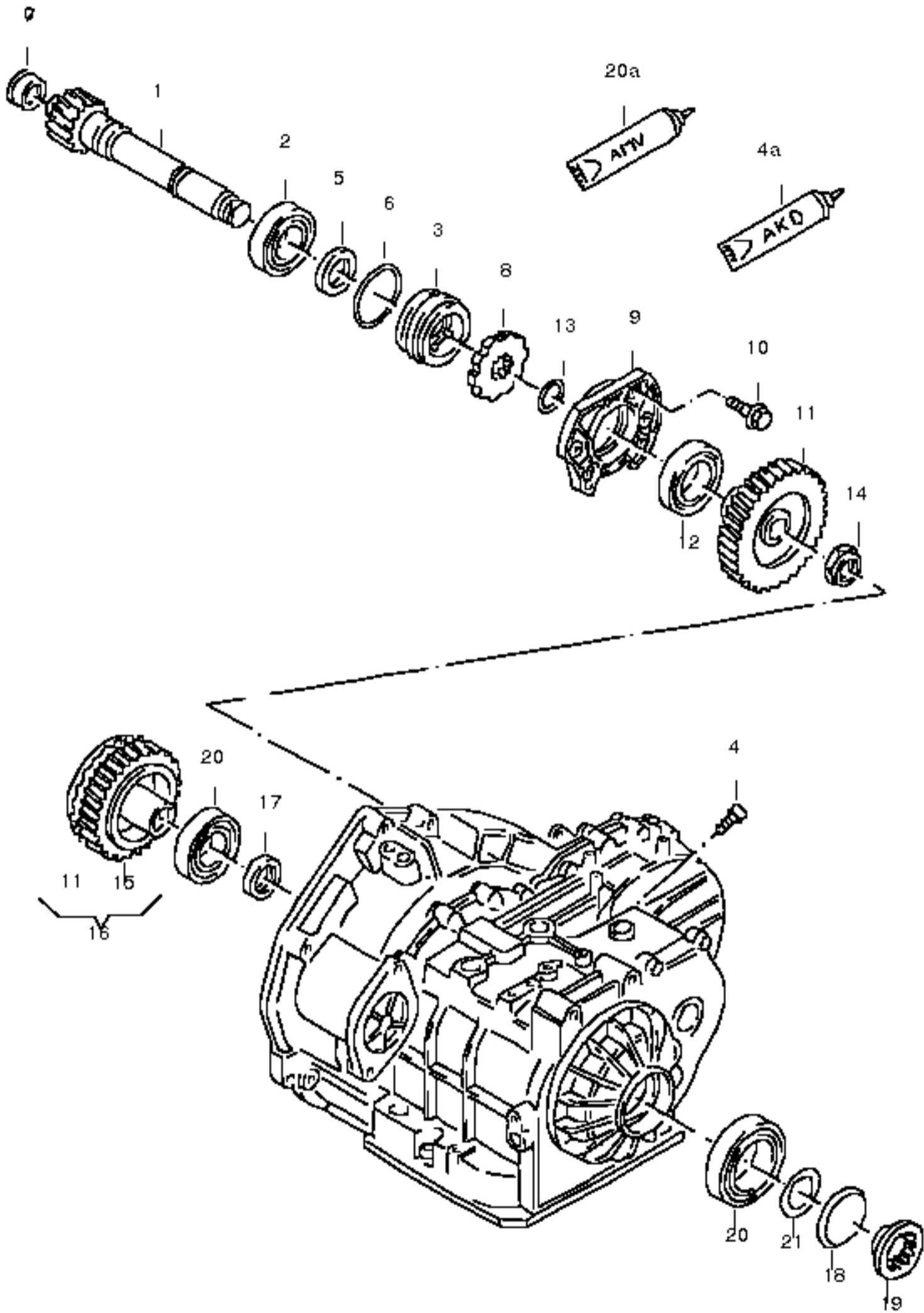
37 N 90480001
fitted bolt / M6X15X11,5

38 096321221A
detent spring

39 098321190
shift segment

40 098321467
thrust piece

41 095321189A
engaging lever



output shaft
drive gear
for 4-speed automatic gearbox
output shaft / DNA,DNC,DXS,
drive gear / DML,DND,DNE,
for 4-speed automatic gearbox / DNF,EQG,EQB,
/ EQD,EQE,EQF,
/ EQJ

1 098323857N
output shaft / 73/16 / DND,DNC,EQD

(1) 098323857R
output shaft / 72/17 / DML,DNA,EQB, / EQJ

(1) 098323857L
output shaft / 71/18 / DNF,EQF

(1) 098323857K
output shaft / 70/19 / DNE,DXS,EQE, / EQG

2 098323981B
taper roller bearing / 36X72X24,25
see workshop manual

3 098323861A
support ring

4 N 90369402
cheese head bolt / M6X20ASP

4A AKD45600002
sealant / 14G

5 098323862A
oil seal / 35,7X58X7

6 098323863A
round seal / 64X3

7 098323864
needle bearing - / 18X34X14

8 096323867A
wheel-parking lock / Z=36

(9) 098323873D
bearing cover

10 N 90495901
hexagon head bolt c/w shoulder / M8X25

12 003519185F
taper roller bearing / 38,1X65X18
see workshop manual

13 01M323875D
adjusting washer / 1

(13) 01M323875E
adjusting washer / 1,025

(13) 01M323875F
adjusting washer / 1,05

(13) 01M323875G
adjusting washer / 1,075

(13) 01M323875H
adjusting washer / 1,1

(13) 01M323875J
adjusting washer / 1,125

(13) 01M323875K
adjusting washer / 1,15

(13) 01M323875L
adjusting washer / 1,175

(13) 01M323875M
adjusting washer / 1,2

(13) 01M323875N
adjusting washer / 1,225

(13) 01M323875P
adjusting washer / 1,25

(13) 01M323875Q
adjusting washer / 1,275

(13) 01M323875R
adjusting washer / 1,3

(13) 01M323875S
adjusting washer / 1,325

(13) 01M323875T
adjusting washer / 1,35

(13) 01M323875AA
adjusting washer / 1,375

(13) 01M323875AB
adjusting washer / 1,4

(13) 01M323875AC
adjusting washer / 1,425

(13) 01M323875AD
adjusting washer / 1,45

(13) 01M323875AE
adjusting washer / 1,475

(13) 01M323875AF
adjusting washer / 1,5

(13) 01M323875AG
adjusting washer / 1,525

(13) 01M323875AH
adjusting washer / 1,55

(13) 01M323875AJ
adjusting washer / 1,575

(13) 01M323875AK
adjusting washer / 1,6

(13) 01M323875AL
adjusting washer / 1,625

(13) 01M323875AM
adjusting washer / 1,65

(13) 01M323875AN
adjusting washer / 1,675

(13) 01M323875AP
adjusting washer / 1,7

(13) 01M323875AQ
adjusting washer / 1,725

(13) 01M323875AR
adjusting washer / 1,75

(13) 01M323875AS
adjusting washer / 1,775

(13) 01M323875AT
adjusting washer / 1,8

(13) 01M323875BA
adjusting washer / 1,825

(13) 01M323875BB
adjusting washer / 1,85

(13) 01M323875BC
adjusting washer / 1,875

(13) 01M323875BD
adjusting washer / 1,9

(13) 01M323875BE
adjusting washer / 1,925

(13) 01M323875BF
adjusting washer / 1,95

(13) 01M323875BG
adjusting washer / 1,975

(13) 01M323875BH
adjusting washer / 2

(13) 01M323875BJ
adjusting washer / 2,025

(13) 01M323875BK
adjusting washer / 2,05

(13) 01M323875BL
adjusting washer / 2,075

(13) 01M323875BM
adjusting washer / 2,1

(13) 01M323875BN
adjusting washer / 2,125

(13) 01M323875BP
adjusting washer / 2,15

(13) 01M323875BQ
adjusting washer / 2,175

(13) 01M323875BR
adjusting washer / 2,2

(13) 01M323875BS
adjusting washer / 2,225

(13) 01M323875BT
adjusting washer / 2,25

(13) 01M323875CA
adjusting washer / 2,275

(13) 01M323875CB
adjusting washer / 2,3

(13) 01M323875CC
adjusting washer / 2,325

(13) 01M323875CD
adjusting washer / 2,35

(13) 01M323875CE
adjusting washer / 2,375

(13) 01M323875CF
adjusting washer / 2,4

(13) 01M323875CG
adjusting washer / 2,425

(13) 01M323875CH
adjusting washer / 2,45

(13) 01M323875CJ
adjusting washer / 2,475

(13) 01M323875CK
adjusting washer / 2,5

(13) 01M323875CL
adjusting washer / 2,525

(13) 01M323875CM
adjusting washer / 2,55

(13) 01M323875CN
adjusting washer / 2,575

(13) 01M323875CP
adjusting washer / 2,6

(13) 01M323875CQ
adjusting washer / 2,625

(13) 01M323875CR
adjusting washer / 2,65

(13) 01M323875CS
adjusting washer / 2,675

(13) 01M323875CT
adjusting washer / 2,7

14 097409379
hexagonal nut / M27X1,5

16 01P323880B
gear set for intermed. drive / Z=51/44

17 095323710
axial bearing

18 095323898
concave spring washer

19 095323899
bolt / M36X1,5

20 01M323981A
taper roller bearing / 41X72X17,6

20A AMV185101A1
liquid sealant / 10ML

21 096323839AE
adjusting washer / 1,6

(21) 096323839AF
adjusting washer / 1,625

(21) 096323839AG
adjusting washer / 1,65

(21) 096323839AH
adjusting washer / 1,675

(21) 096323839AJ
adjusting washer / 1,7

(21) 096323839AK
adjusting washer / 1,725

(21) 096323839AL
adjusting washer / 1,75

(21) 096323839AM
adjusting washer / 1,775

(21) 096323839AN
adjusting washer / 1,8

(21) 096323839AP
adjusting washer / 1,825

(21) 096323839AQ
adjusting washer / 1,85

(21) 096323839AR
adjusting washer / 1,875

(21) 096323839AS
adjusting washer / 1,9

(21) 096323839AT
adjusting washer / 1,925

(21) 096323839BA
adjusting washer / 1,95

(21) 096323839BB
adjusting washer / 1,975

(21) 096323839BC
adjusting washer / 2

(21) 096323839BD
adjusting washer / 2,025

(21) 096323839BE
adjusting washer / 2,05

(21) 096323839BF
adjusting washer / 2,075

(21) 096323839BG
adjusting washer / 2,1

(21) 096323839BH
adjusting washer / 2,125

(21) 096323839BJ
adjusting washer / 2,15

(21) 096323839BK
adjusting washer / 2,175

(21) 096323839BL
adjusting washer / 2,2

(21) 096323839BM
adjusting washer / 2,225

(21) 096323839BN
adjusting washer / 2,25

(21) 096323839BP
adjusting washer / 2,275

(21) 096323839BQ
adjusting washer / 2,3

(21) 096323839BR
adjusting washer / 2,325

(21) 096323839BS
adjusting washer / 2,35

(21) 096323839BT
adjusting washer / 2,375

(21) 096323839CA
adjusting washer / 2,4

(21) 096323839CB
adjusting washer / 2,425

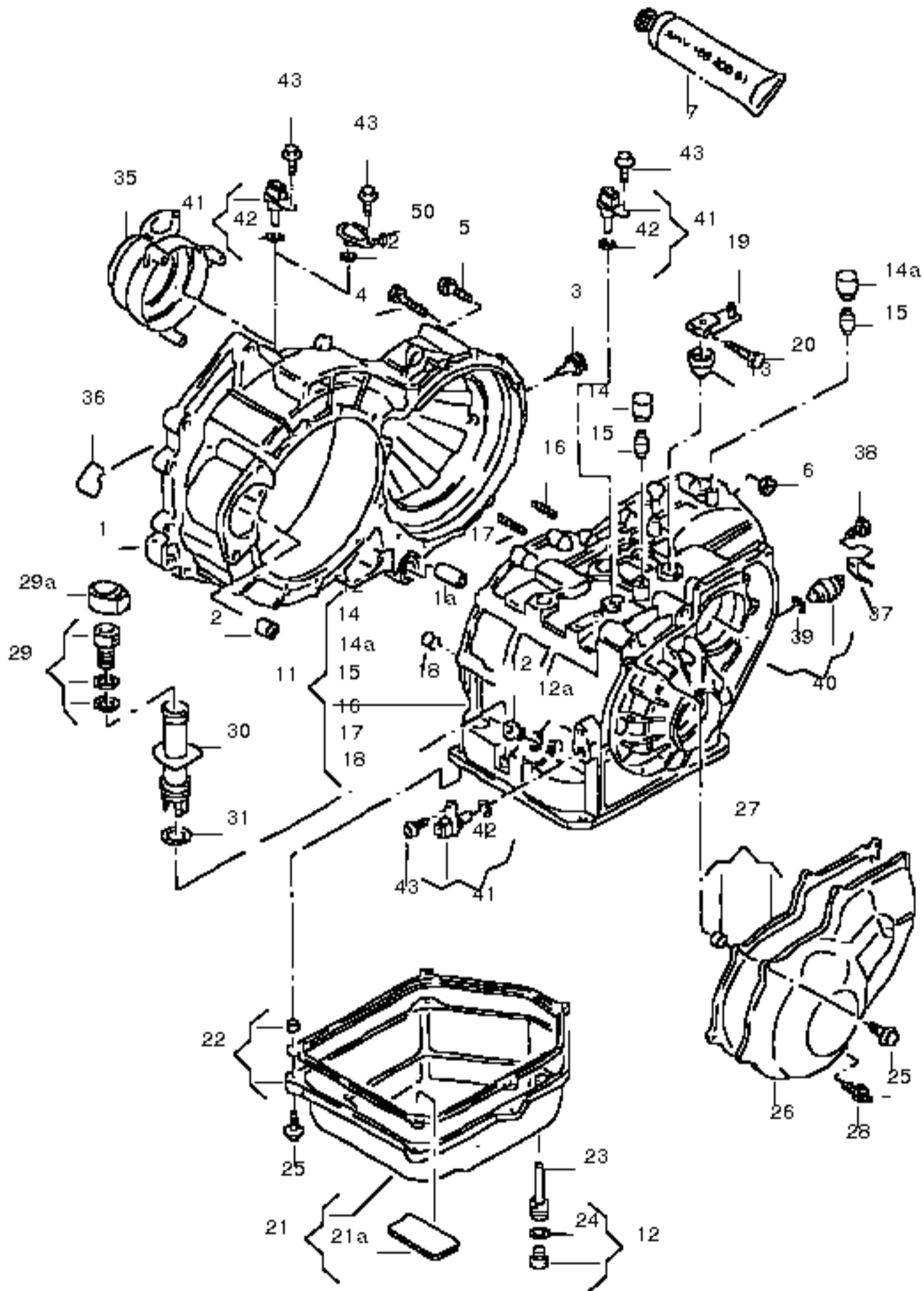
(21) 096323839CC
adjusting washer / 2,45

(21) 096323839CD
adjusting washer / 2,475

(21) 096323839CE
adjusting washer / 2,5

(21) 096323839CF
adjusting washer / 2,525

(21) 096323839CG
adjusting washer / 2,55



transmission case

for 4-speed automatic gearbox
transmission case / DNA,DNC,DXS,
for 4-speed automatic gearbox / DML,DND,DNE,
/ DNF,EQG,EQB,
/ EQD,EQE,EQF,
/ EQJ

1 098321107M

converter housing / DML,DNA,DXS
/ DND,DNC,EQB,
/ EQG,EQD

(1) 098321107T

converter housing / DNE,DNF,EQE, / EQH

(1) 098321107AA

converter housing / EQJ
bearing bush / EQF
see illustration: / 399-20

2 113301155

bush / 11,06X13,63X14

3 091301141

oil drain plug, magnetic / M24X1,5

4 N 10162204

hexagonal head bolt / M8X75

5 N 0195033

hexagonal head bolt / M8X35

6 N 01508311

hexagon nut, shouldered / M8

7 AMV18820003

sealing paste / 100G

11 01P321102D

transmission case
G >> 01 05 0 / DNA,DNC,DXS,
/ DML,DND,DNE,
/ DNF,EQG,EQB,
/ EQD,EQE,EQF

(11) 01P321102E

transmission case
G 02 05 0>> 01 09 2 / EQB,EQD,EQE, / EQF,EQG,EQJ

(11) 01P321102F

transmission case
G 02 09 2>> / EQB,EQD,EQE, / EQF,EQG,EQJ

12 N 90414201

plug with seal / M10X1

12A N 0138115

seal / A10X13,5

13 095321182B

round seal

14 095409841

cover

14A 010409841A

cover

15 010409847

breather tube / 9,1X23X8,1

16 N 0145965

stud / AM8AX28

17 N 0145965

stud / AM8AX28

18 02M301153

dowel sleeve / 12X9,5

19 098321171

lever / lhd

(19) 098321171A

lever / rhd

20 N 90441601

hexagonal head bolt / M6X32

21 01P321359

oil sump

21A 097321368

magnet

22 098321370

gasket

23 099321363

oil pipe / 44MM

24 N 0138115

seal / A10X13,5

25 N 90533002

hexagon head bolt (combi) / M6X20

26 01P321490

cover

27 01P321488

gasket

28 N 90578501

double stud with hexagon drive / M6X20-M6X8

29 01M321432A

plug

29A 01M321435B

cap

30 099321407A

oil filler pipe

31 003321419B

round seal / 17,5X3,5
housing
see illustration: / 409-50

36 098321110B

covering plate

37 097321527

retainer

38 N 90533002

hexagon head bolt (combi) / M6X20

39 095321529

round seal / 22X3
multi-function switch for automatic gearbox

see illustration: / 927-50

speed sender
see illustration: / 927-50 / DML,DND,DXS,
/ EQB,EQD,EQG,
/ EQJ;
/ DNE,DNF,EQE,
/ EQF;
/ DNA,DNC

42 095321559

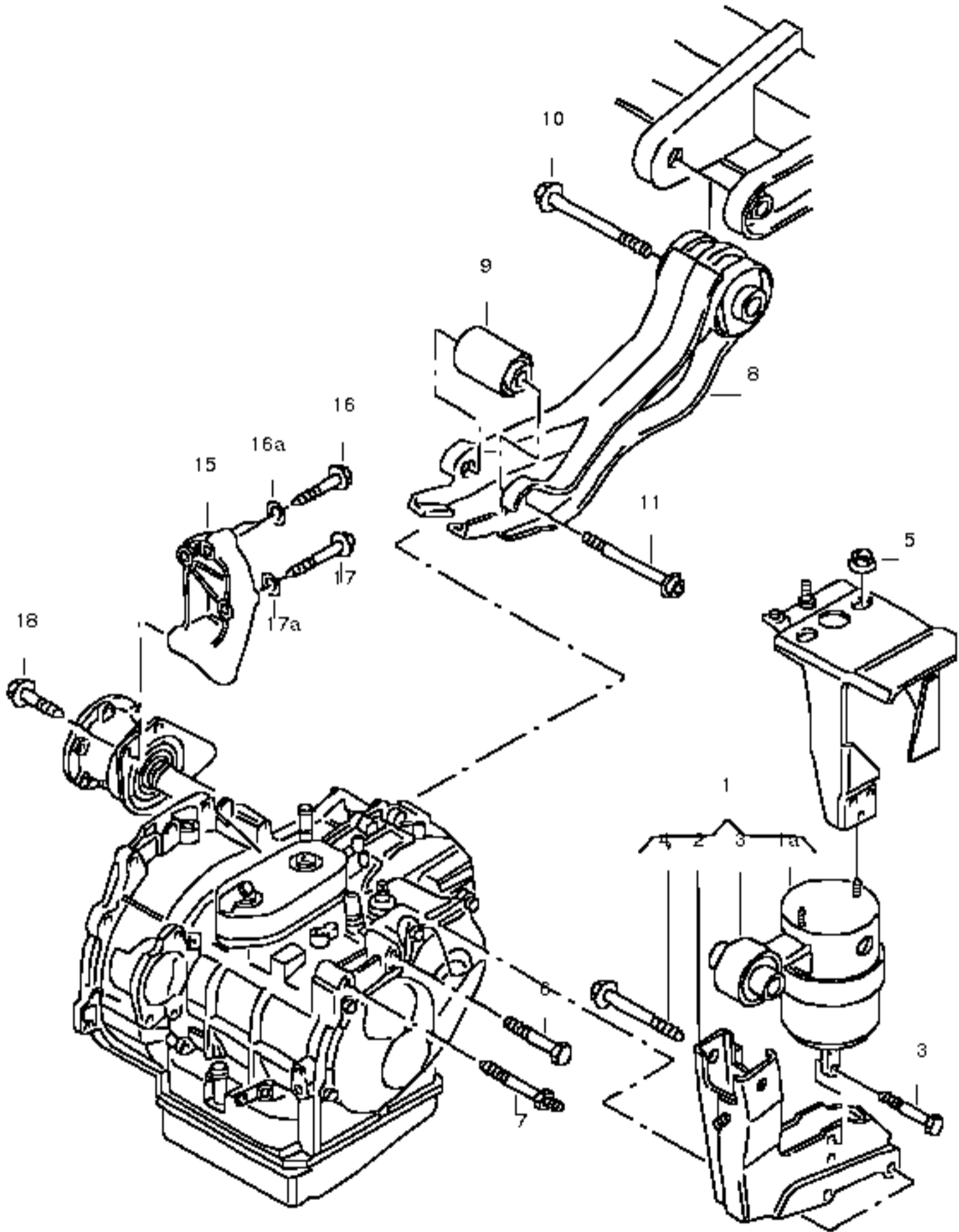
round seal / 11X3

43 N 90440701

hexagonal head bolt / M6X15

44 01M325455

oil strainer
G 02 05 0>>
axle oil
for automatic gearbox
see workshop manual



transmission securing parts

4 speed automatic gearbox

transmission securing parts / DNA,DNC,DXS,

4 speed automatic gearbox / DML,DND,DNE,

/ DNF,EQG,EQB,

/ EQB,EQE,EQF,

/ EQJ

1 7D0399107AL

support for transmission

3 N 10001204

hexagonal head bolt / M8X55

4 N 10220401

hexagon head bolt c/w shoulder / BM10X80

5 N 90736601

hexagon nut, shouldered / M10

6 N 10212103

hexagonal head bolt / M10X60

7 N 90498202

double stud with hexagon drive / M10X65/M8X10

8 701399207B

pendelum rod

9 701399661

bearing bush

10 N 90570301

hexagon head bolt c/w shoulder / M16X1,5X115

11 N 10311602

allen key head bolt (combi) / M12X1,5X95

15 02G409905

transmission carrier / right rear / DXS,DML,DNA,

/ DND,DNC,EQG,

/ EQB,EQD

(15) 02G409905A

transmission carrier / right rear / DNE,DNF,EQE, / EQF

(15) 02G409905B

transmission carrier / right rear / EQJ

16 N 10277903

hexagonal head bolt / M10X50 / DXS,DML,DNA,

/ DND,DNC,EQG,

/ EQB,EQD

16 N 10277903

hexagonal head bolt / M10X50 / DNE,DNF,EQE, / EQF,EQJ

16A N 01152711

washer / A10,5X21X2 / DXS,DML,DNA,

/ DND,DNC,EQG,

/ EQB,EQD

16A N 01152711

washer / A10,5X21X2 / DNE,DNF,EQE, / EQF,EQJ

17 N 0195324

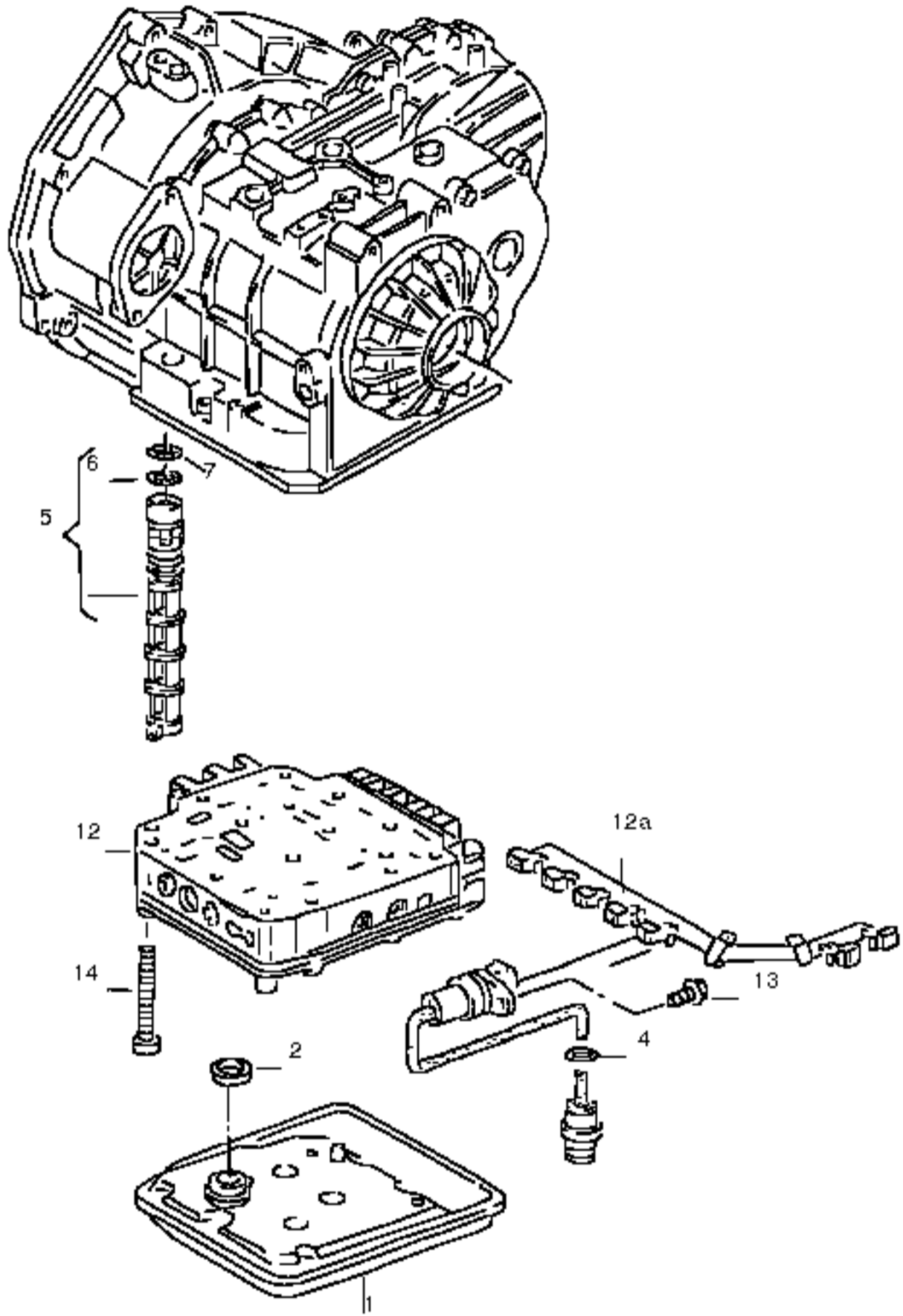
hexagon head bolt c/w shoulder / M10X70B / DXS,DML,DNA,

/ DND,DNC,EQG,

/ EQB,EQD

18 N 0195303

hexagon head bolt c/w shoulder / M8X25-PC



valve body
oil strainer
for 4-speed automatic gearbox
valve body / DNA,DNC,DXS,
oil strainer / DML,DND,DNE,
for 4-speed automatic gearbox / DNF,EQG,EQB, / EQD,EQE,EQF, / EQJ

1 01M325429
oil strainer

2 01M325443
gasket

4 095325381A
round seal / 19X3

5 098323957
plug

6 095323969
round seal / 9X2

7 095323971
round seal / 7X2

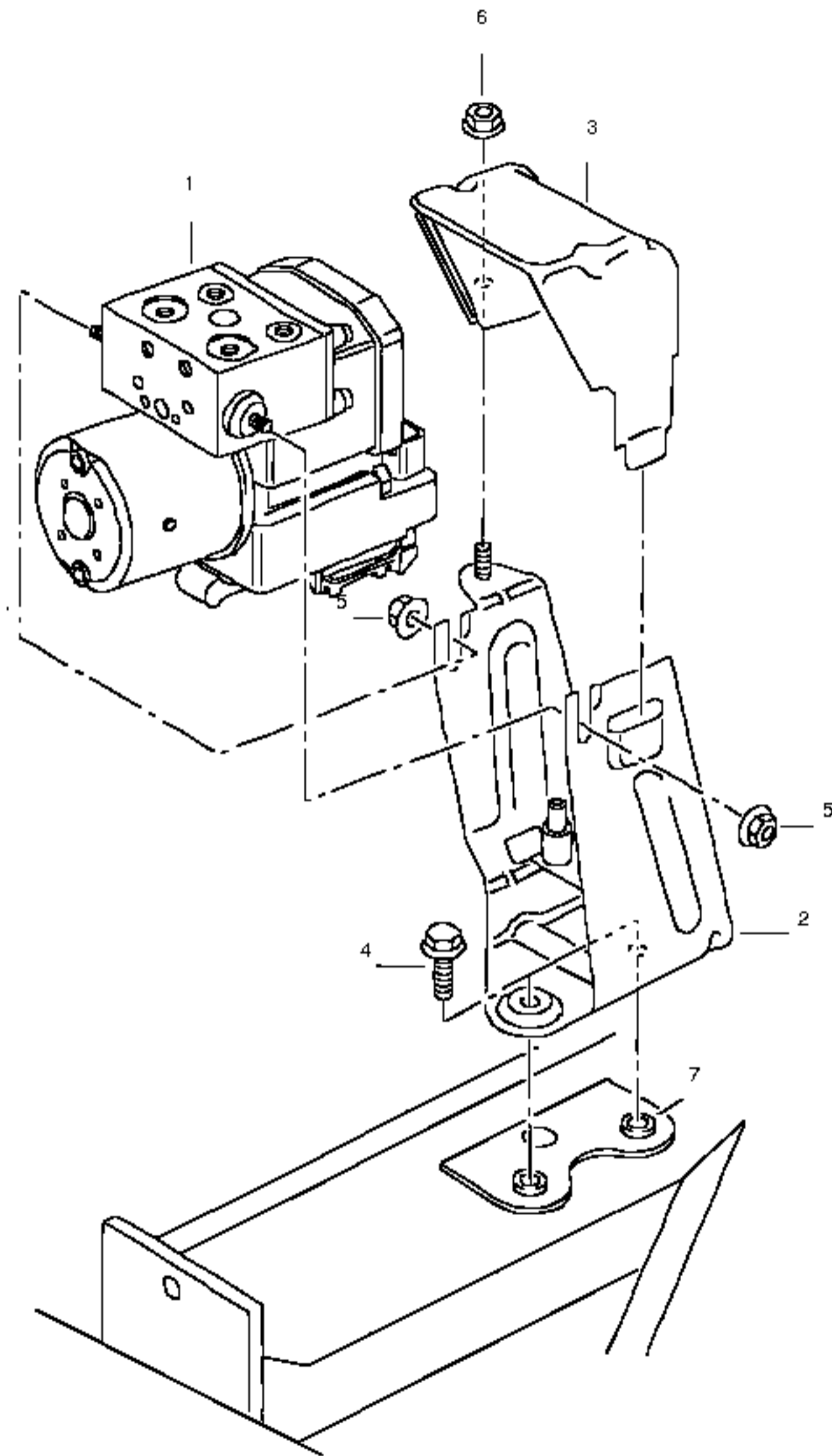
12 01M325039F
valve body / DNA,DNC,DXS,
/ DML,DND,DNE,
/ DNF,EQG,EQB,
/ EQD,EQE,EQF

(12) 01M325039FX
valve body / DNA,DNC,DXS,
/ DML,DND,DNE,
/ DNF,EQG,EQB,
/ EQD,EQE,EQF
01M325039E
valve body / EQJ

(12) 01M325039EX
valve body / EQJ
printed circuit foil
see illustration: / 927-50

13 N 90440701
hexagonal head bolt / M6X15

14 N 10194302
round head bolt / M6X55



ABS

1 7D0614111C

abs unit / ABS+EDS BOSCH

2 7D0614711B

console

3 7D0614792A

protective cap

4 N 01021710

hexagonal head bolt / M6X20

5 N 10340101

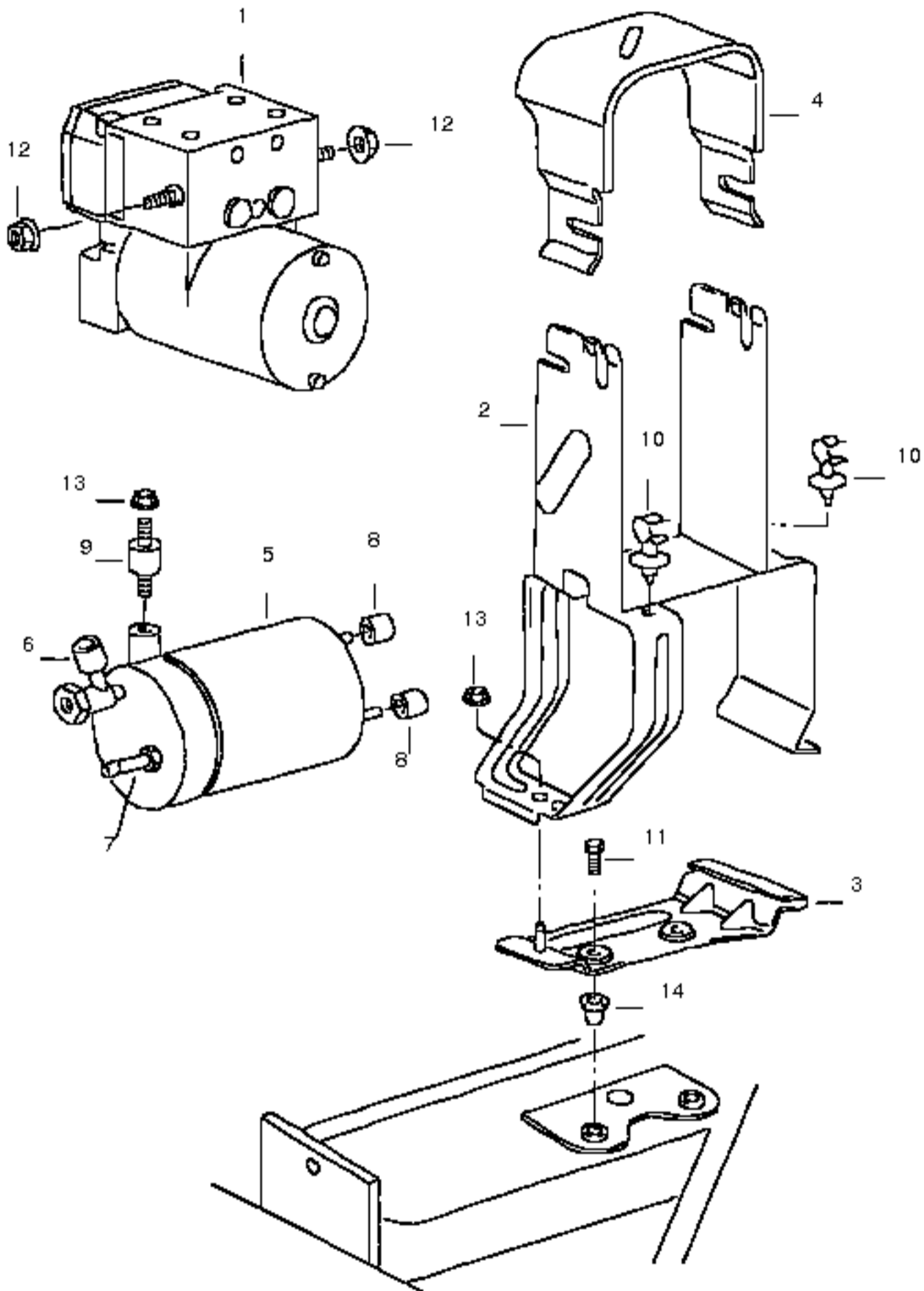
hexagon nut, shouldered / M8

6 N 90175203

hexagon nut, shouldered / M6

(7) N 90252104

rivetted cap nut / AM6/0,5-3



ABS / PR-1AT

for vehicles with electronic stabilization program -esp-
F 70-Y-027 264>>

1 7D0614111E

abs unit / ABS+ESP BOSCH

for vehicles with electronic stabilization program -esp-
to be used for: / 7D0 614 111 D

2 7D0614711F

console

3 7D0614712A

console

4 7D0614792C

protective cap

5 8E0614175E

hydraulic pump with electric motor

to be used for: / 8E0 614 175 D

6 4D0612271A

banjo union

7 4D0612275D

banto bolt / M12X1X10

8 4A0614177

stop buffer

9 443133741A

bonded rubber mounting

10 N 10444201

retainer

11 N 01021710

hexagonal head bolt / M6X20

12 N 10340101

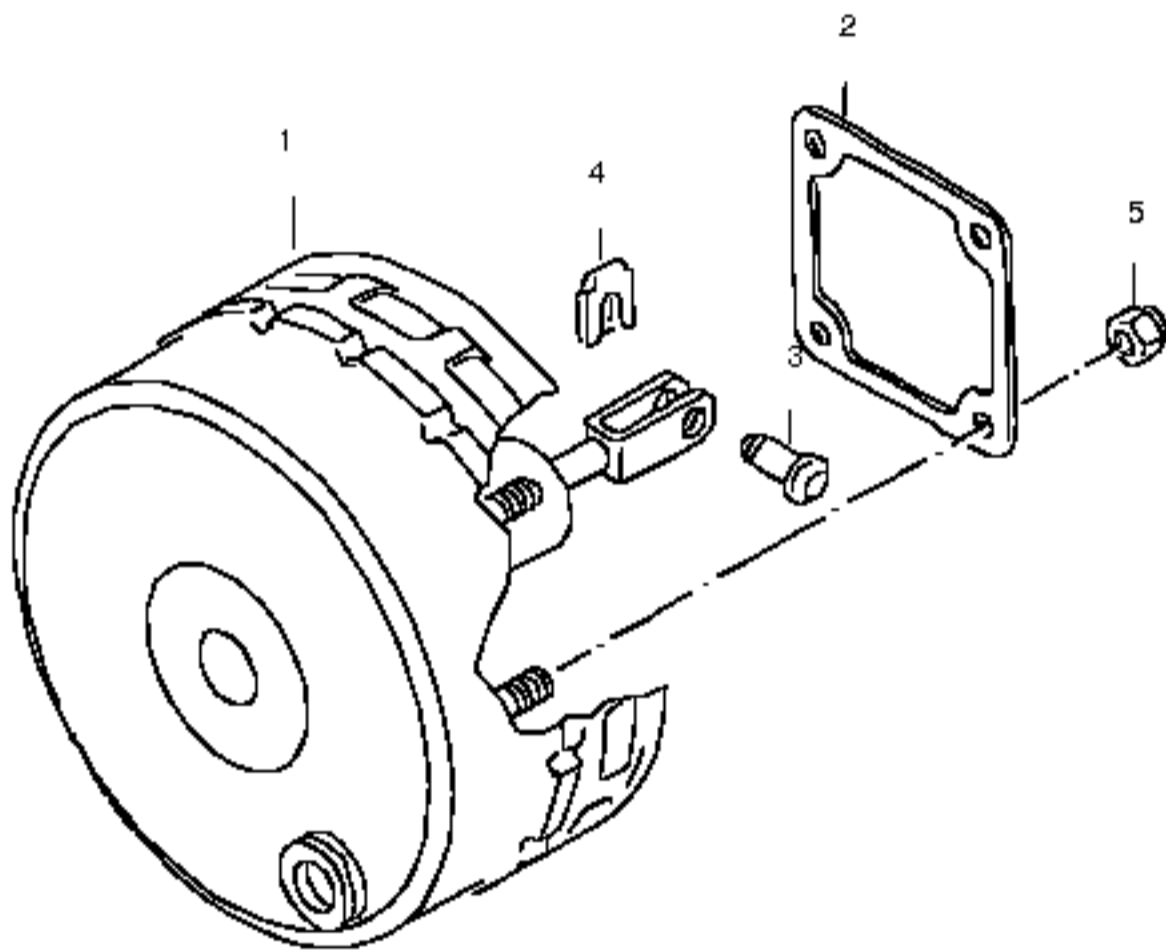
hexagon nut, shouldered / M8

13 N 90175203

hexagon nut, shouldered / M6

(14) N 90252104

riveted cap nut / AM6/0,5-3



brake booster

1 7D0612105A

brake servo with dual diaphragm / 8"/9" / PR-1AB

(1) 7D0612105A

brake servo with dual diaphragm

/ 8"/9" / PR-1LE,1LP

for models with anti-lock brake system and electronic differential lock -abs/edl-

(1) 7D0612105B

brake servo with dual diaphragm

/ 8"/9" / PR-1LB,1LU

for models with anti-lock brake system and electronic differential lock -abs/edl-

(1) 7D0612105B

brake servo with dual diaphragm

/ 8"/9"

for vehicles with electronic stabilization program -esp-

F 70-Y-027 264>> / lhd / PR-1AT

2 1H0612161

gasket

3 N 90051201

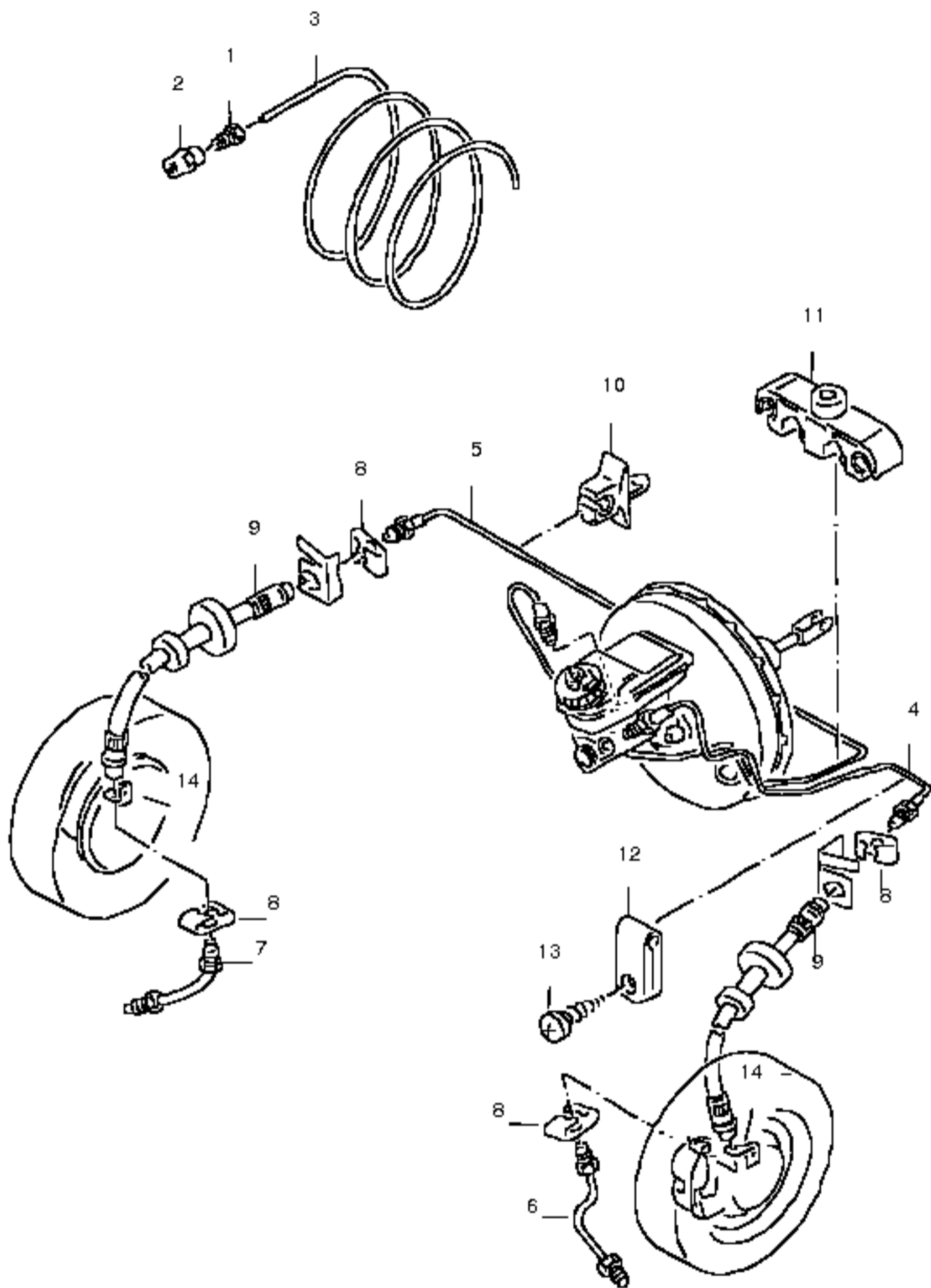
pin / 10D11X20,6X7,1

4 N 90254701

lock washer / 8X0,5

5 N 90074401

hexagon nut, self-locking / M8



brake line / lhd
brake hose / front

1 811611731
pipe union nut / M10X1/5 SW11

2 411611789
connecting piece / M10X1

3 111611998
brake line 4,75X0,7
shorten to: / 2030MM 10/10
shorten to: / 2330MM 10/10
shorten to: / 100MM
shorten to: / 100MM

8 4D0611715B
retaining spring

9 7D0611701E
brake hose / M10X1X370
F >> 70-X-250 000 / PR-2E2

9 7D0611701E
brake hose F 70-Y-000 000>>
/ right / PR-2E2/9U1

(9) 7D0611701D
brake hose for vehicles with brake
pad wear indicator F 70-Y-000 001>>
/ left / PR-2E2/9U1

(9) 7D0611701A
brake hose for vehicles with brake
pad wear indicator/ left / PR-2E3/9U1

(9) 7D0611702B
brake hose for vehicles with brake
pad wear indicator/ right / PR-2E3/9U1

10 701611767A
holder for brake line / 1 point

11 701611767
holder for brake line / 4 point

12 251611795
pipe clip

13 N 0139694
oval head panel screw / B4,8X16

14 701611841
bracket for brake hose / left /
PR:1LP,1LE F >> 70-X-250 000

(14) 7D0611841D
bracket for brake hose / left /
PR-1LE/1LP F 70-Y-000 001>>

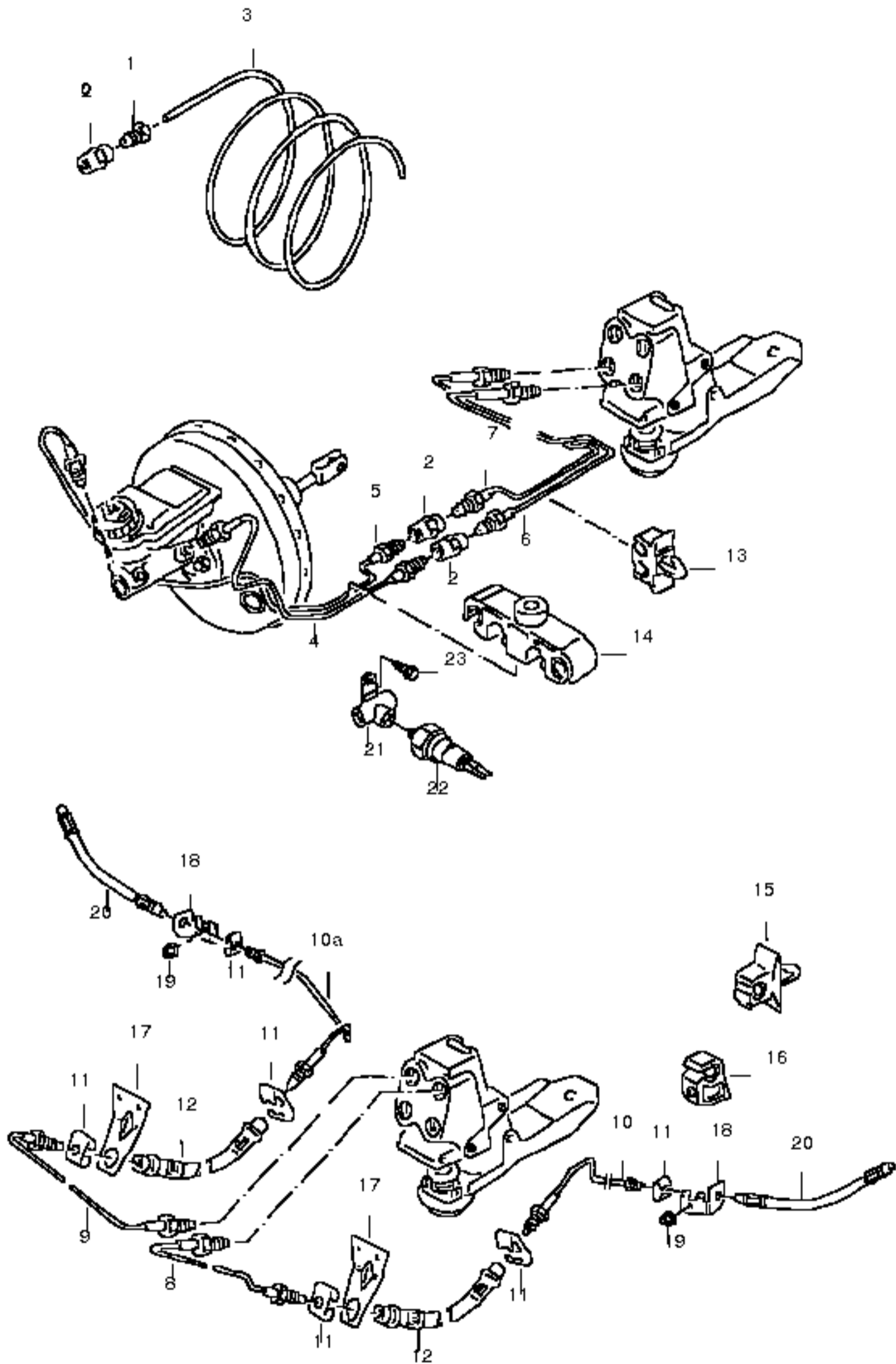
(14) 701611842
bracket for brake hose / right / PR-1LP,1LE
F >> 70-X-250 000

(14) 7D0611842B
bracket for brake hose / right / PR-1LE
/1LP F 70-Y-000 001>>

(14) 7D0611841B
bracket for brake hose / PR-1LU

(14) 7D0611841C
bracket for brake hose / left / PR-1LB

(14) 7D0611842A
bracket for brake hose / right / PR-1LB



brake line / rear
brake hose

(1) 811611731
pipe union nut / M10X1/5 SW11

2 411611789
connecting piece / M10X1

3 111611998
brake line / 4,75X0,7

11 4D0611715B
retaining spring

12 171611775
brake hose / M10X1X160

(12) 7D0611775D
brake hose / M10X1X160 for models
with heavy duty suspension

13 281611767
holder for brake line / 2 point

(13) 893611797K
retainer / 2 point

14 701611853
holder for brake line / 4 point

15 701611767A
holder for brake line / 1 point

16 701611767B
holder for brake line / 1 point

17 701611838
bracket for brake hose

18 7D0611799
bracket for brake hose / left

(18) 7D0611800
bracket for brake hose / right

(19) N 90064301
rivet / A6,4X14

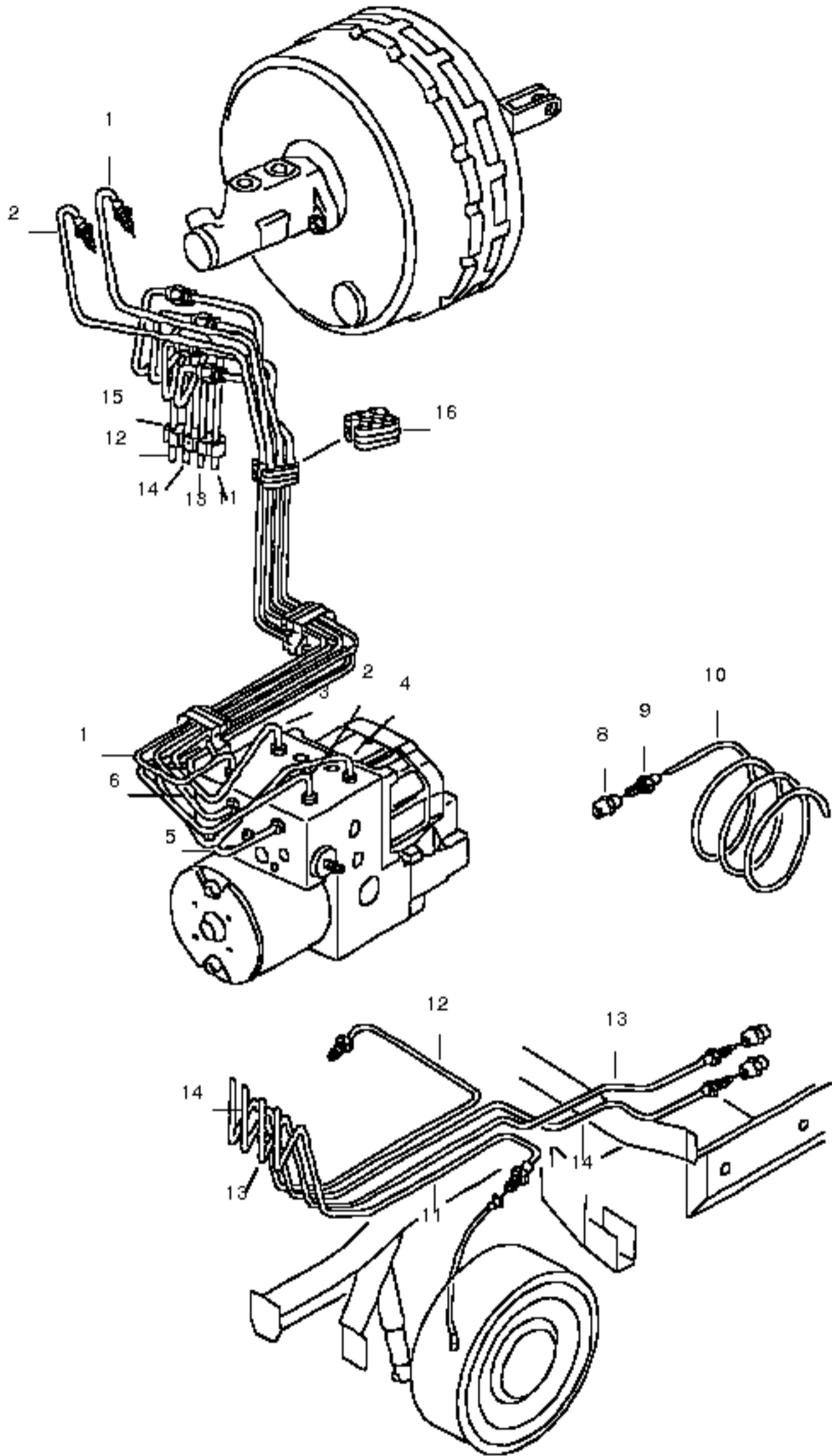
20 893611775A
brake hose / M10X1X160

(20) 7D0611775C
brake hose for models with heavy-duty
running gear / 16"

21 2D0611755
distributor for brake line / 3 point

22 6N0945553A
pressure switch / diesel eng.: for 4-speed
automatic gearbox / APL,AUT,ACV, / AUF

23 N 0138873
hexagon head panel screw / B5,5X16



brake line / front lhd

For ABS

1 7D1614741C

brake line from brake master cylinder to hydraulic system

/ 12/12

2 7D1614742C

brake line from brake master cylinder to hydraulic system

/ 12/12

8 411611789

connecting piece / M10X1

9 811611731

pipe union nut / M10X1/5 SW11

10 111611998

brake line in rolls of 5m 'order unit 5' / 4,75X0,7

brake line from connecting piece to brake hose

/ left front

shorten to: / 1790MM

brake line from connecting piece to brake hose

/ right front

shorten to: / 2215MM

brake line from connecting piece front to rear

/ left, center

shorten to: / 2230MM

brake line from connecting piece front to rear

/ right, center

shorten to: / 2230MM

15 701611767

holder for brake line / 4 point

16 701614767B

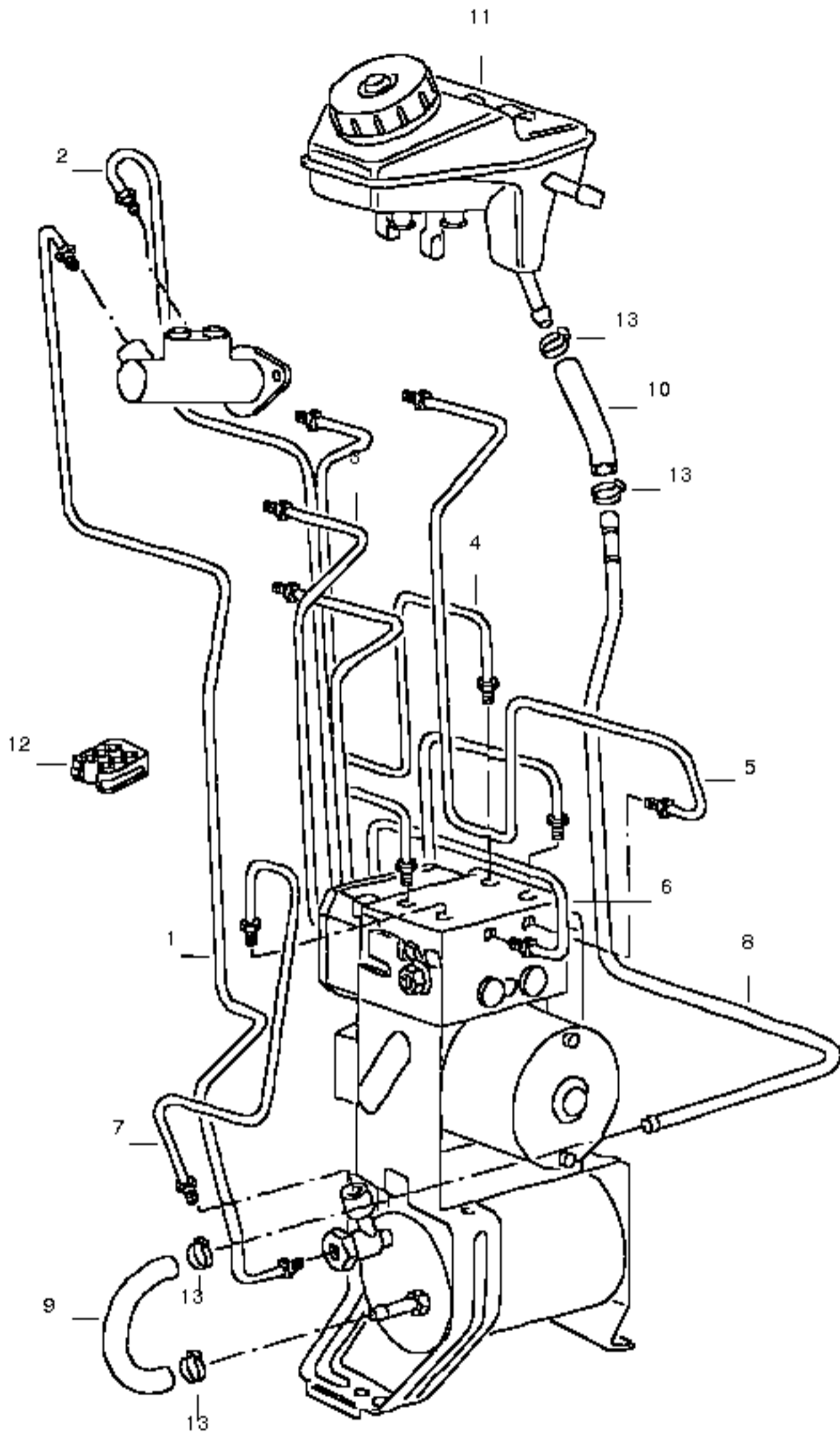
retainer / 6-pin

brake hose / front

see illustration: / 611-20

brake line / rear

see illustration: / 611-30



brake line / front lhd / PR-1AT

for vehicles with electronic stabilisation program -esp-

F 70-Y-027 264>>

1 7D1614741E

brake line from brake master cylinder to hydraulic system

/ 12/12

2 7D1614742E

brake line from brake master cylinder to hydraulic system

/ 12/12

3 7D1614727C

brake line / left front

/ 670MM

4 7D1614728C

brake line / right front

/ 710MM

5 7D1614763C

brake line / left rear

/ 815MM

6 7D1614764C

brake line / right rear

/ 775MM

7 7D0614705

brake pipe from hydraulic pump to hydraulic system / 360MM

8 7D0614787

suction line / 610MM

brake pipe from reservoir to hydraulic pump

9 8E0614793B

hose / 130MM

VON BREMSFL.-BEH. ZU SAUGLTG.

10 7D1614795

hose / 80MM

VON BREMSFL.-BEH. ZU SAUGLTG.

11 7D0611301B

expansion tank

for vehicles with electronic stabilisation program -esp-

12 701614767B

retainer / 6-pin

13 N 10196901

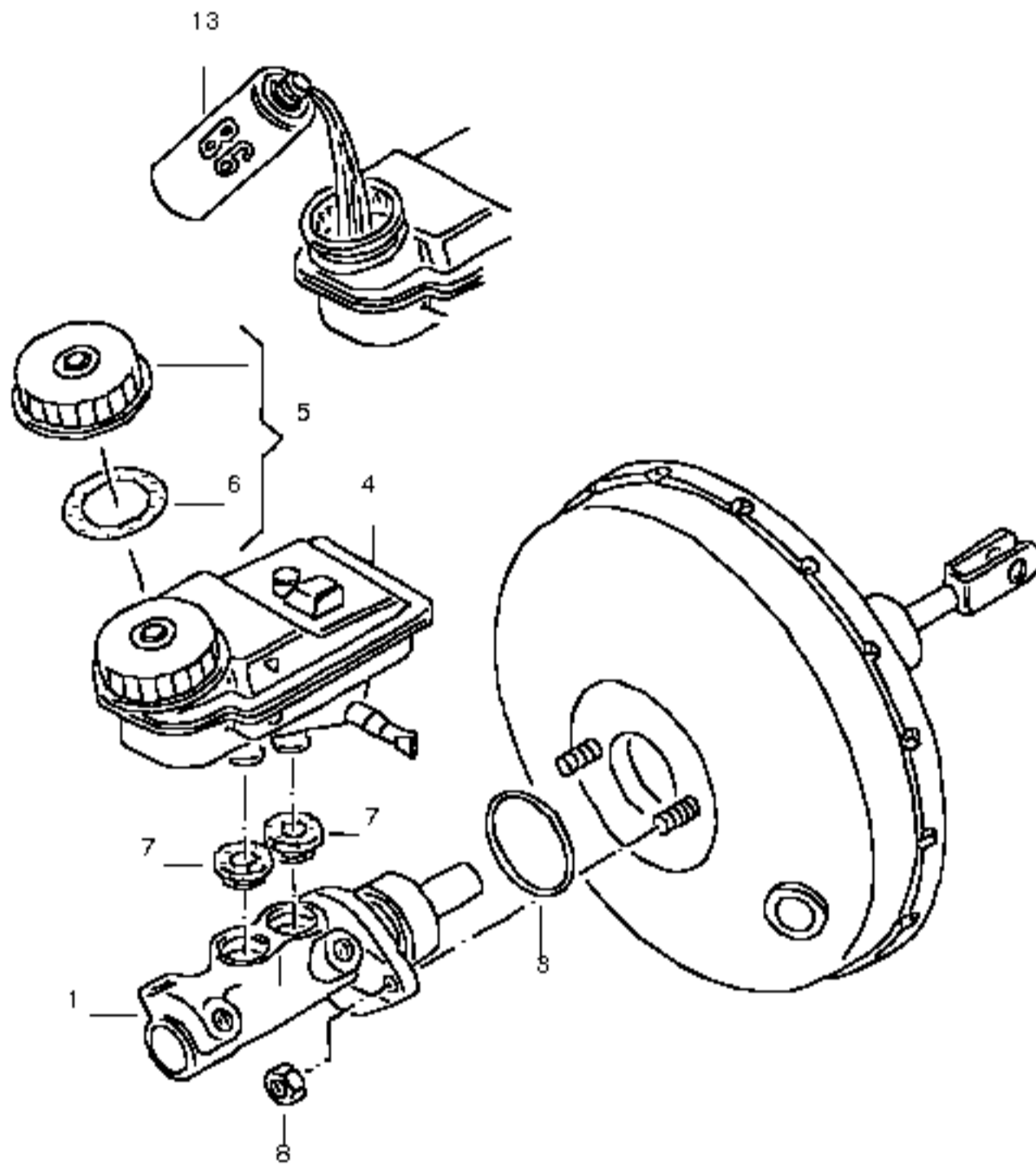
pipe clip / 7X14,8

brake hose / front

see illustration: / 611-20

brake line / rear

see illustration: / 611-30



brake master cylinder / ATE

reservoir

brake fluid

1 7M1611019

tandem master cylinder / 23MM 2XM10 / PR-1LE,1LP

for models without anti-locking system

(1) 7D0611019A

tandem master cylinder / 25,4MM 4XM10

for models without anti-locking system / lhd / PR-1LU

(1) 7D0611019A

tandem master cylinder / 25,4MM 4XM10

for models without anti-locking system / rhd / PR-1LU: / ACV,AJT

(1) 7M0611019

tandem master cylinder / 23MM 2XM12 / PR-1LE,1LP

for models with anti-lock brake system and electronic differential lock -abs/edl-

(1) 7D0611019

tandem master cylinder / 25,4MM 2XM12

for models with anti-lock brake system and electronic differential lock -abs/edl- / lhd / PR-1LU,1LB

(1) 7D0611019

tandem master cylinder / 25,4MM 2XM12

for models with anti-lock brake system and electronic differential lock -abs/edl- / rhd / PR-1LU

(1) 7D0611019B

tandem master cylinder / 25,4MM 2XM12

for vehicles with electronic stabilisation program -esp-

F 70-Y-027 264>>> / lhd / PR-1AT:1LB, / 1LU

3 357611243

gasket between brake servo and brake tandem master cylinder / 41,5X2,5

(4) 7D0611301A

expansion tank

(4) 7D0611301B

expansion tank

for vehicles with electronic stabilisation program -esp-

(5) 7D0611349

locking cover

6 893611347

seal

7 357611817

plug / 12/22

8 N 90074401

hexagon nut, self-locking / M8

13 B 000700A1

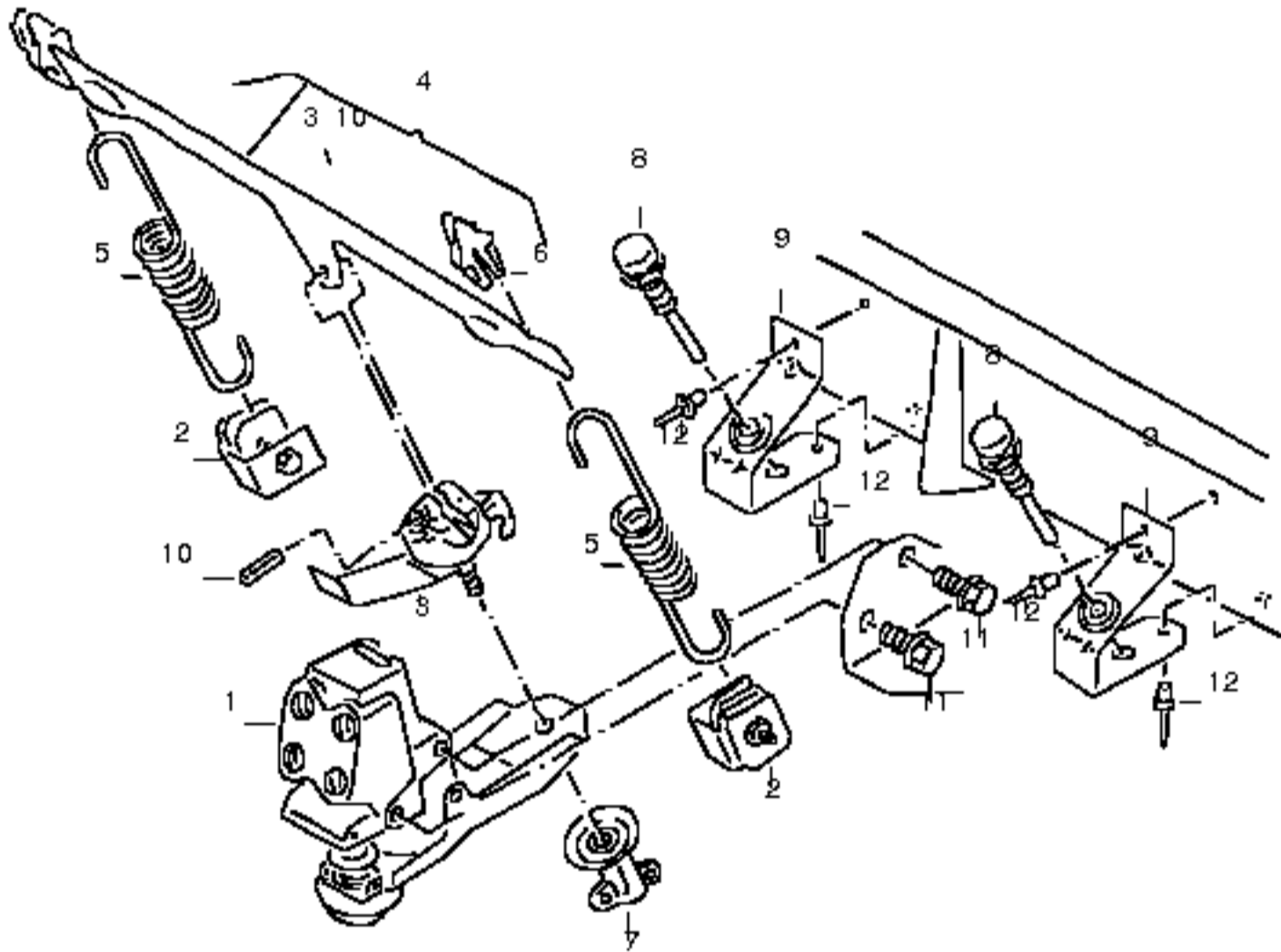
brake fluid / 0.25ltr.

(13) B 000700A3

brake fluid / 1.0 ltr.

(13) B 000700A6

brake fluid / 10 ltr.



brake pressure regulator

(1) 7D0612503

brake pressure reducer

2 701612513

buffer block

3 -----

no longer available

4 701612527B

compensating lever

5 701612561

tension spring

marked yellow

(5) 701612561A

tension spring

marked green

(5) 701612561B

tension spring

marked white

(5) 701612561C

tension spring

marked brown

(5) 701612561D

tension spring

black marked

6 701612563

spring retainer

7 701612564

wing nut

8 701612585A

stop buffer

9 701612597

mounting for rubber stop

11 N 0102935

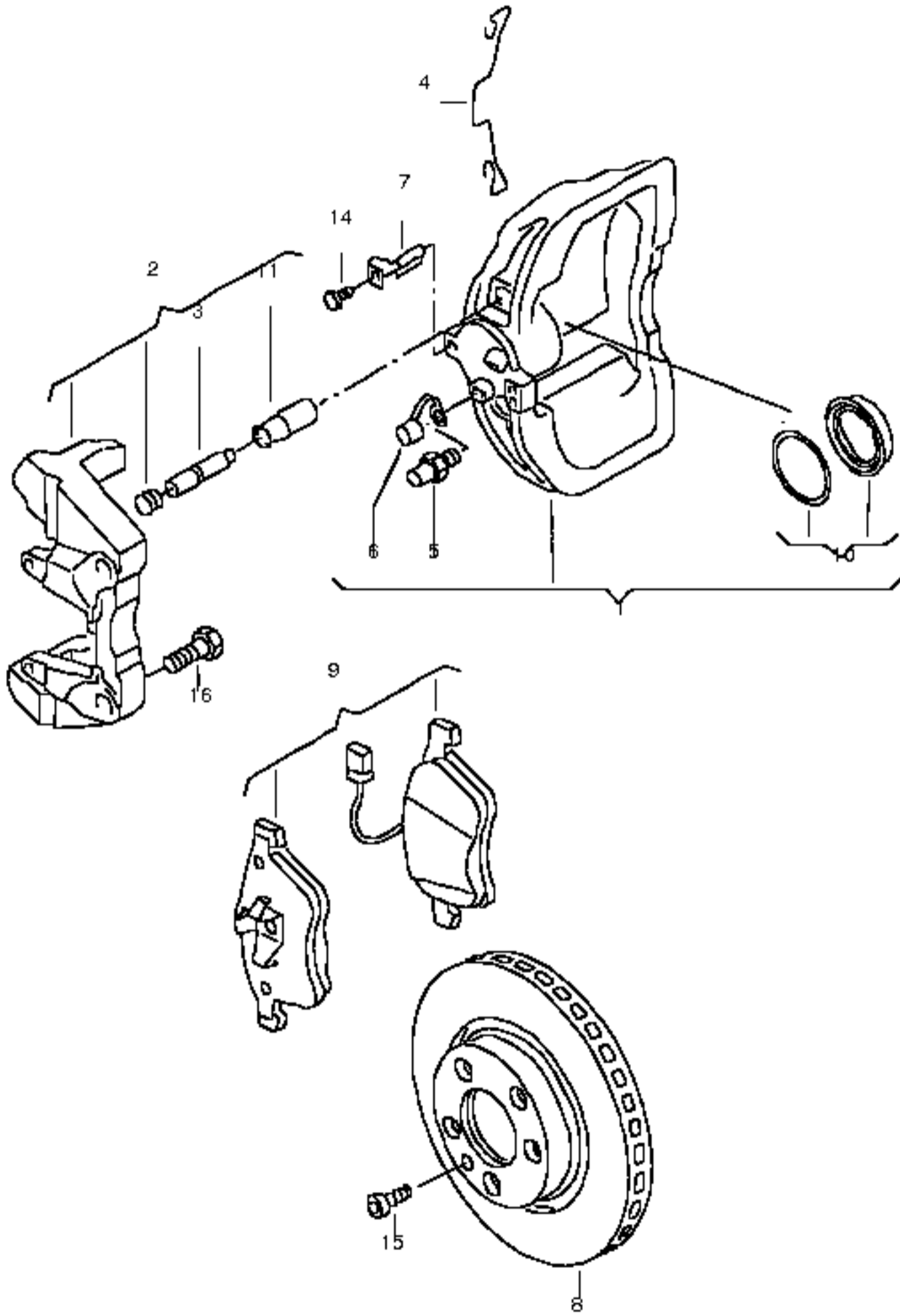
hexagonal head bolt / M8X16

- N 01155811

washer / 8,4X15X1,6

12 N 90478601

pop-rivet / A4,8X11



brake support mechanism / front / PR-1LB

F 70-1-000 955>> / 16"

disc brake with caliper mark ii / front / PR-1LB

/ 16" ATE

Brake Disc

F 70-1-000 955>>

1 7M3615123

brake caliper housing / 16" / left

(1) 7M3615124

brake caliper housing / 16"

/ right

2 7M3615125

brake carrier with pad retaining pin

3 7D0615143

guide pin

4 7M3615269

retaining spring

5 447615273

bleeder valve

6 7D0611483

dust cap

7 7M3615133

cable holder

8 7M3615301

Brake Disc (vent) / 313X26 5/112

9 7M3698151A

1 set: brake pads with wear indicator for disc brake / front / 16"

10 7M3698471

set of seals for brake caliper housing

11 7M3698647

1 set: guide bushes

14 N 0102085

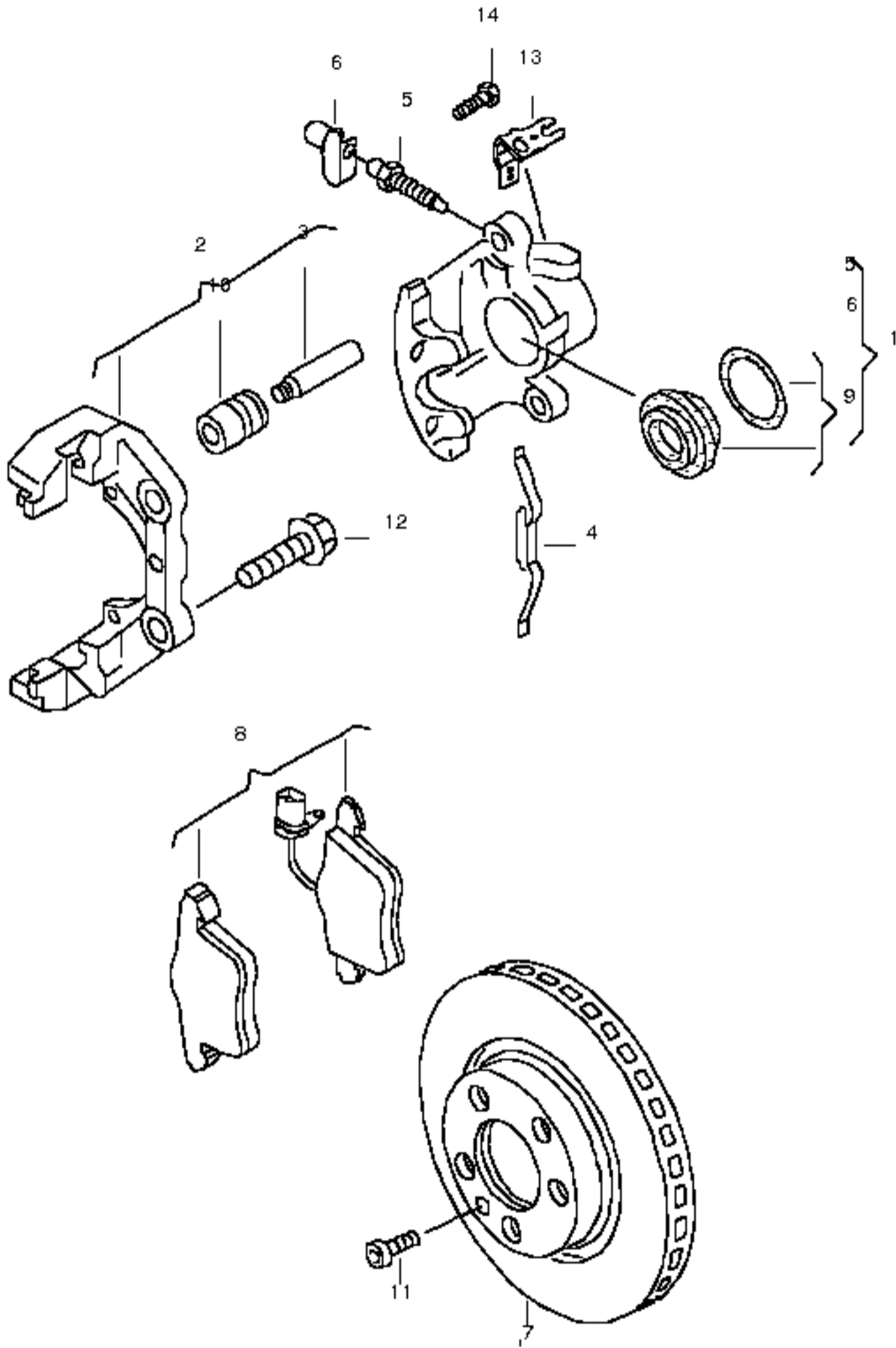
hexagonal head bolt / M6X8

15 N 90571201

allen key head bolt / M10X25X15

16 N 90911801

hexagonal head bolt / M18X1,5X48



brake support mechanism / front / PR-1LB
F >> 70-1-000 954 / 300X26MM
brake support mechanism / front / PR-1LB
brake caliper housing / 16" ATE
brake carrier with pad retaining pin
Brake Disc (vent)
F >> 70-1-000 954

1 7D0615123B
brake caliper housing / left

(1) 7D0615124B
brake caliper housing / right

(2) 7D0615125B
brake carrier with pad retaining pin

3 251615219
guide pin

4 7D0615295B
retaining spring

5 447615273
bleeder valve / M10X1

6 7D0611483
dust cap

7 7M3615301A
Brake Disc (vent) / 300X26 5/112

8 7D0698151A
1 set: brake pads with wear indicator for disc brake

9 4A0698471
set of seals for brake caliper housing

10 7D0698647
1 set: guide bushes

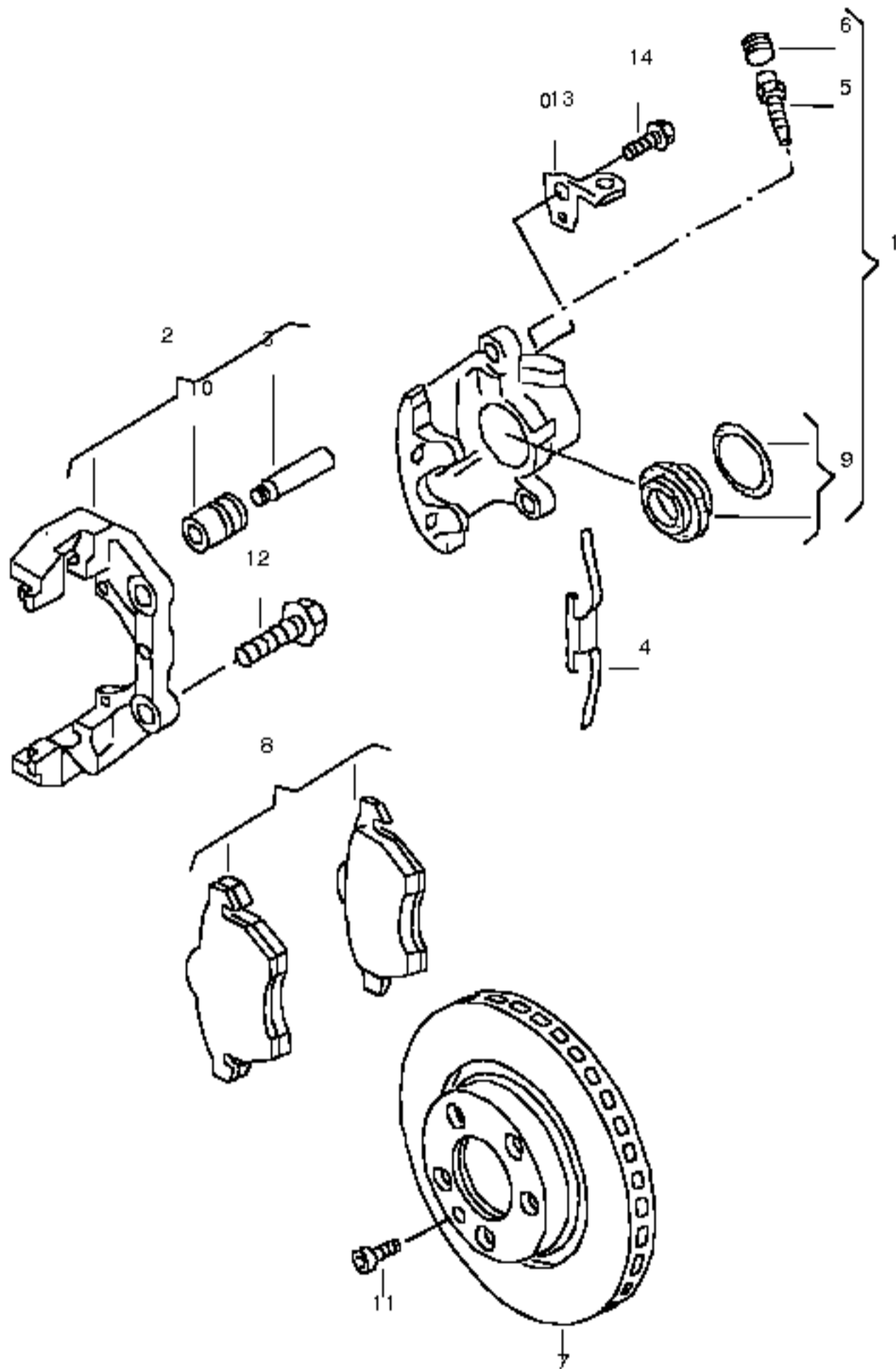
11 N 90571201
allen key head bolt / M10X25X15

12 N 90685401
hexagonal head bolt / M16X1,5X48

13 7D0611841C
bracket for brake hose / left

(13) 7D0611842A
bracket for brake hose / right

14 N 0143401
hexagonal head bolt / M6X10



brake support mechanism / front / PR-1LU
/ 280X24MM

brake support mechanism / front / PR-1LU

brake caliper housing / 15" ITT

brake carrier with pad retaining pin

Brake Disc (vent)

1 7D0615123

brake caliper housing / left

(1) 7D0615124

brake caliper housing / right

(2) 7D0615125C

brake carrier with pad retaining pin

3 251615219

guide pin

(4) 7D0615295A

retaining spring

(5) 447615273

bleeder valve / M10X1

(6) 7D0611483

dust cap

7 7D0615301C

Brake Disc (vent) / 280X24

8 7D0698151

1 set: brake pads for disc brakes

(asbestos free)

F >> 70-X-250 000

(8) 7D0698151D

1 set: brake pads with wear indicator for disc brake / PR-1LU

F 70-Y-000 001>>

9 4A0698471

set of seals for brake caliper housing

10 4D0698647

1 set: guide bushes

11 N 90571201

allen key head bolt / M10X25X15

12 N 90685401

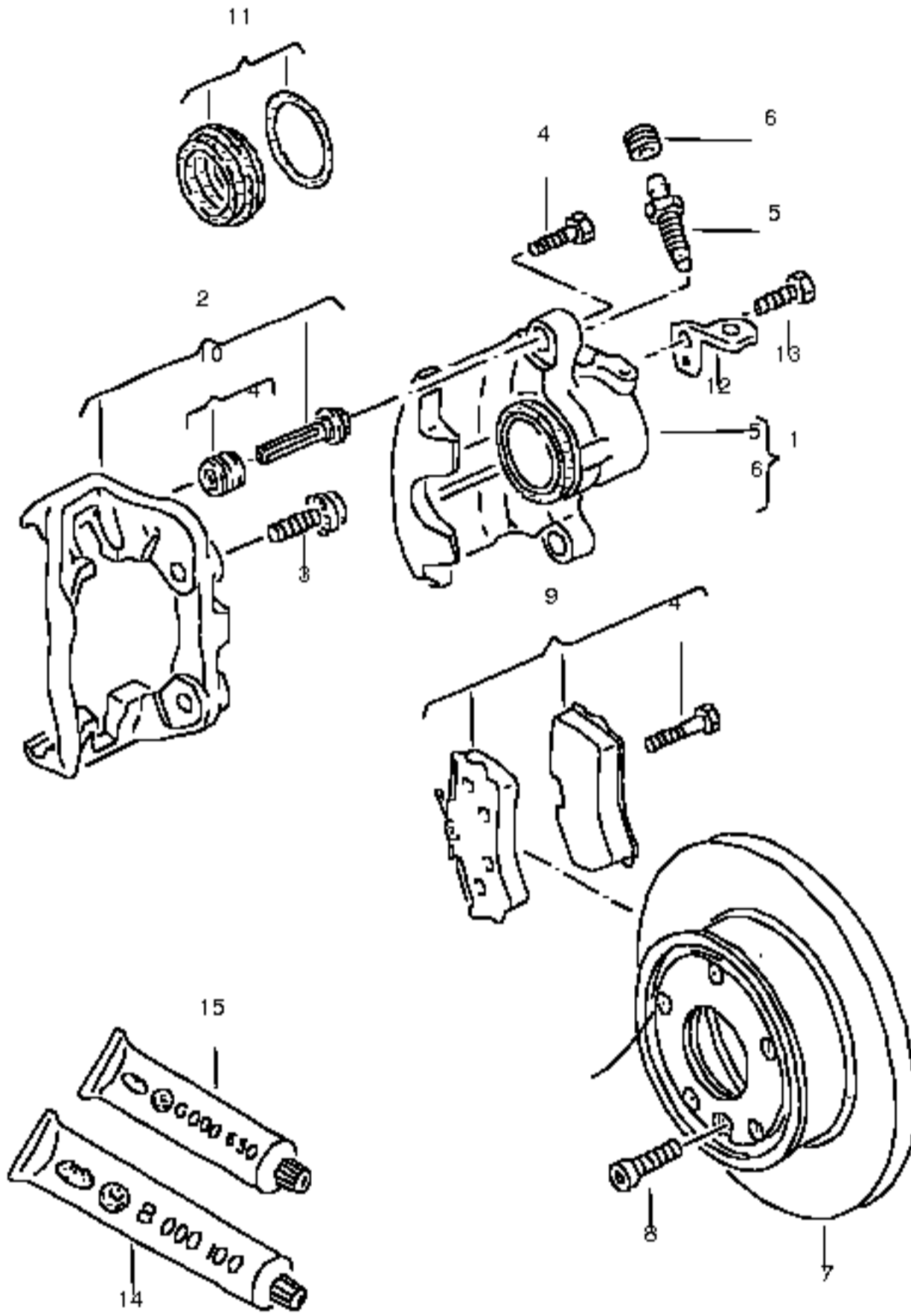
hexagonal head bolt / M16X1,5X48

13 7D0611841B

bracket for brake hose

14 N 0143401

hexagonal head bolt / M6X10



brake support mechanism / front / PR-1LP
/ 282X18MM

brake support mechanism / front / PR-1LP
brake caliper housing / 15" LUCAS
brake carrier with pad retaining pin

Brake Disc

(1) 7D0615123D
brake caliper housing / left
use if required: / 7D0 611 841 D

(1) 7D0615124D
brake caliper housing / right
use if required: / 7D0 611 842 B

2 701615125D
brake carrier with pad retaining pin / left

(2) 701615126B
brake carrier with pad retaining pin / right

3 N 90685401
hexagonal head bolt / M16X1,5X48

4 321615141
bolt, hexagon head self-locking / M8X21

5 447615273
bleeder valve

6 211611483
dust cap

7 701615301G
Brake Disc / 282X18MM

8 N 90571201
allen key head bolt / M10X25X15

9 701698151E
1 set: brake pads for disc brakes
F >> 70-X-250 000

(9) 7D0698151B
1 set: brake pads with wear indicator for disc brake / PR-1LP
F 70-Y-000 001>>

10 443698470
1 set: protective boots for guide pins

11 701698471
set of seals for brake caliper housing

12 701611841
bracket for brake hose / left
F >> 70-X-250 000

(12) 7D0611841D
bracket for brake hose / left
F 70-Y-000 001>>

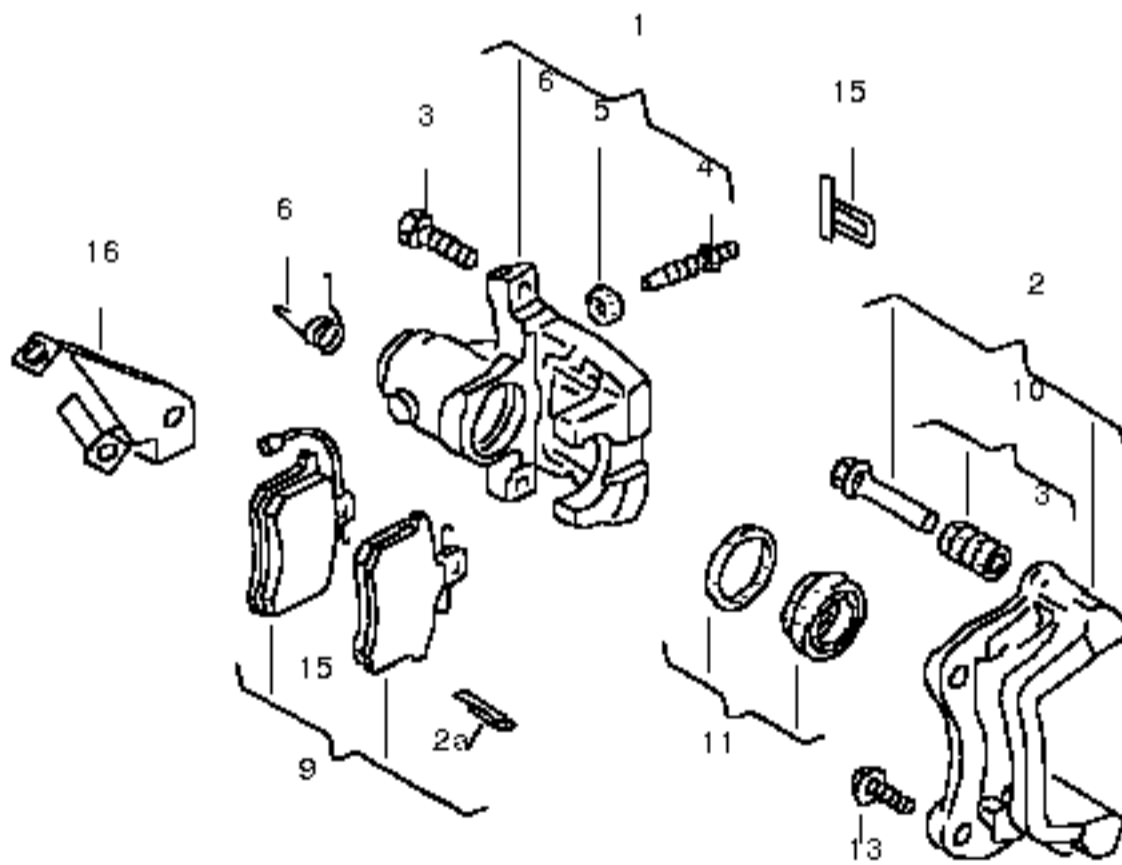
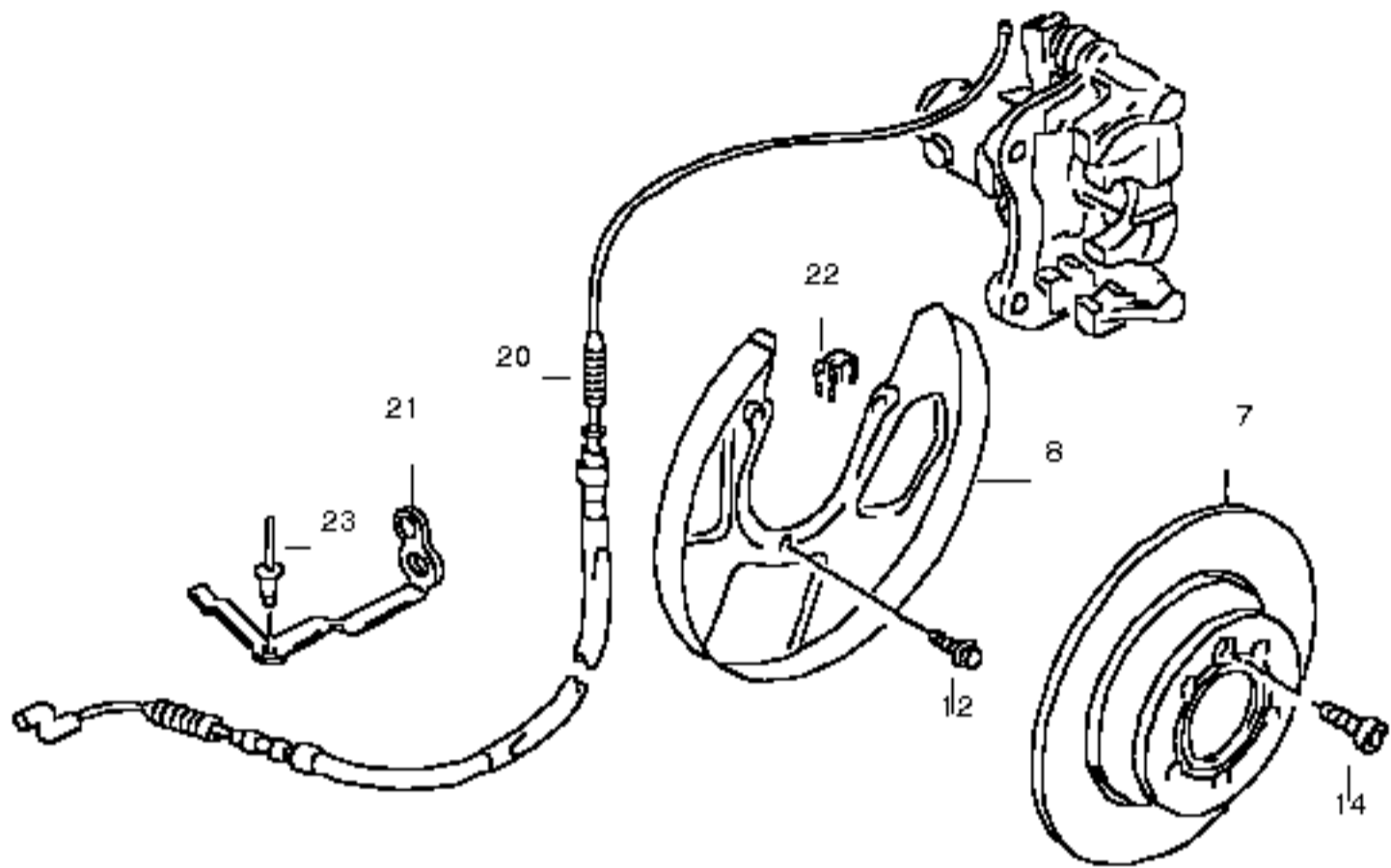
(12) 701611842
bracket for brake hose / right
F >> 70-X-250 000

(12) 7D0611842B
bracket for brake hose / right
F 70-Y-000 001>>

13 N 0143401
hexagonal head bolt / M6X10

14 G 052150A2
lithium-grease / 180G

15 G 000650
lubricating paste / 100G



disc brakes / 15" / PR-2E2
brake cable / rear
disc brake with caliper mark ii / rear / PR-2E2
/ LUCAS
Brake Disc / 15"

(1) 7D0615423B
brake caliper housing / left

(1) 7D0615424B
brake caliper housing / right

2 7D0615425B
brake carrier with pad retaining pin

2A 7D0615231
intermediate panel / rear
calliper carrier

3 321615141
bolt, hexagon head self-locking / M8X21

4 357615273
bleeder valve / M10X1

5 211611483
dust cap

6 7M0615295
spring / left

(6) 7M0615296
spring / right

(7) 7D0615601
Brake Disc / 280X12

8 7D1615611
splash shield for brake disc / rear
F >> 70-Y-000 948

(8) 7D0615611B
splash shield for brake disc / rear
F 70-Y-000 949>>

- 7D0615621
covering

- N 90634901
pop-rivet / A4X14

(9) 7D0698451E
1 set: brake pads for disc brakes

F >> 70-X-250 000

(9) 7D0698451G
1 set: brake pads with wear indicator for disc brake
F 70-Y-000 001>>

10 7D0698470
1 set: protective boots for guide pins

11 8D0698671
set of seals for brake caliper housing

13 N 90571501
hexagonal head bolt / M14X1,5X38

14 N 90571201
allen key head bolt / M10X25X15

15 7D0615131
wiring conduit / right / 7D0

16 7D0615134
cable holder / right / 7D0

brake cable

(20) 7D0609701E
brake cable / 943MM

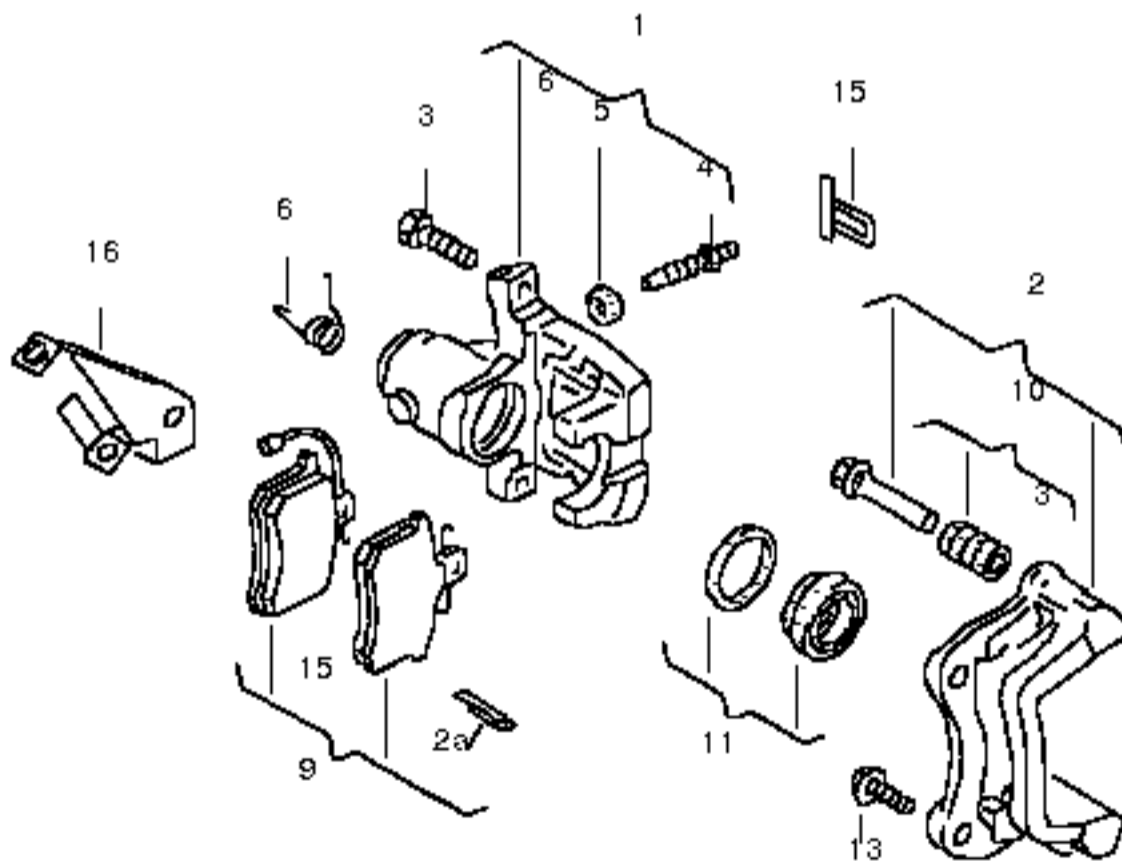
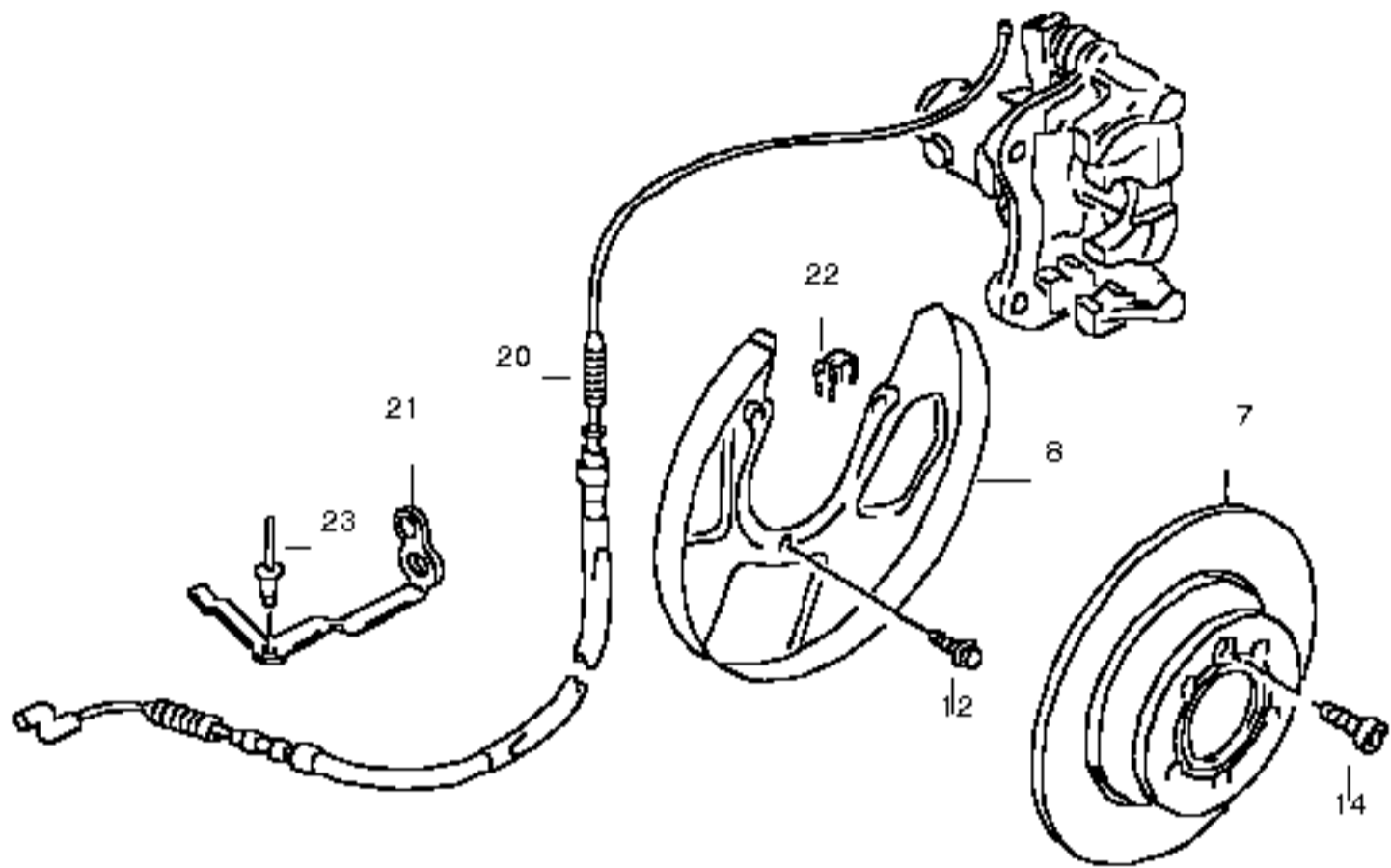
(20) 7D0609701F
brake cable / 943MM 16"
for models with heavy duty suspension

(21) 7D1711453B
bracket for brake cable / left

(21) 7D1711454B
bracket for brake cable / right

22 1H0609747
spring clamp

23 N 90634901
pop-rivet / A4X14



disc brakes with wear indicator / 16"

/ rear

brake cable

disc brake with caliper mark ii / rear / PR-2E3

/ LUCAS

Brake Disc / 16"

1 7D0615423B

brake caliper housing / left

(1) 7D0615424B

brake caliper housing / right

2 7D0615425A

brake carrier with pad retaining pin

2A 7D0615231A

intermediate panel

3 321615141

bolt, hexagon head self-locking / M8X21

4 357615273

bleeder valve / M10X1

5 211611483

dust cap

6 7M0615295

spring / left

(6) 7M0615296

spring / right

7 7D0615601C

Brake Disc / 294X13,5

(8) 7D0615611A

splash shield for brake disc

F >> 70-Y-000 948

(8) 7D0615611B

splash shield for brake disc

F 70-Y-000 949>>

- 7D0615621

covering

F 70-Y-000 949>>

- N 90576301

pop-rivet / A4X9X8X1,2

F 70-Y-000 949>>

(9) 7D0698451F

1 set: brake pads with wear indicator for disc brake / 16"

10 7D0698470

1 set: protective boots for guide pins

11 8D0698671

set of seals for brake caliper housing

12 N 90529301

hexagonal head bolt / M6X10

13 N 90571501

hexagonal head bolt / M14X1,5X38

14 N 90571201

allen key head bolt / M10X25X15

15 7D0615131

wiring conduit

16 7D0615133

cable holder / left

(16) 7D0615134

cable holder / right

brake cable

(20) 7D0609701E

brake cable / 943MM

(20) 7D0609701F

brake cable / 943MM 16"

for models with heavy duty suspension

(21) 7D1711453B

bracket for brake cable / left

(21) 7D1711454B

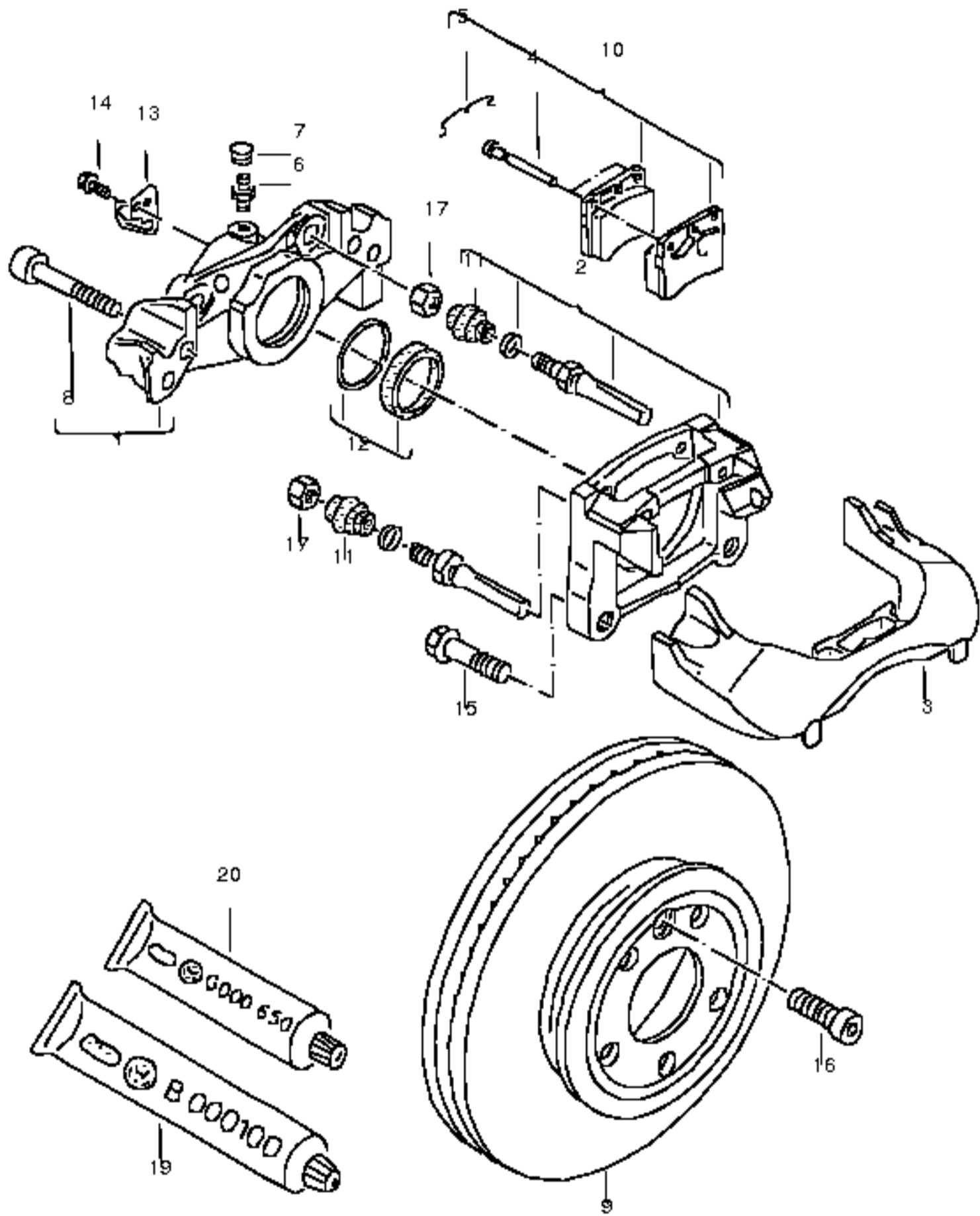
bracket for brake cable / right

22 1H0609747

spring clamp

23 N 90634901

pop-rivet / A4X14



framed calliper disc brakes / front / PR-1LE
/ 280X24MM
framed calliper disc brakes / front / PR-1LE
brake caliper housing / 15" LUCAS
brake carrier with pad retaining pin

Brake Disc (vent)

(1) 7D0615123C
brake caliper housing / left
also use: / >>70-X-250000
/ 7D0 611 841 D

(1) 701615124C
brake caliper housing / right
F >> 70-X-250 000

(1) 7D0615124C
brake caliper housing / right
F 70-Y-000 001>>

2 701615125C
brake carrier with pad retaining pin / left

(2) 701615126C
brake carrier with pad retaining pin / right

no replacement part

- 701698461AX
1 set: brake caliper with brake pads (complete) / front
use if required: / 7D0 611 841 D
/ 7D0 611 842 B

4 701615263
retaining pin

5 701615269
spreader spring

6 447615273
bleeder valve

7 211611483
dust cap

8 701615143
bolt, with multi-spilne socket head / M12X70

(9) 7D0615301C
Brake Disc (vent) / 280X24

(10) 701698151G
1 set: brake pads for disc brakes
but without: retaining pin
F >> 70-X-250 000

(10) 7D0698151C
1 set: brake pads with wear indicator for disc brake

F 70-Y-000 001>>

11 701698470
1 set: protective boots for guide pins

12 701698471
set of seals for brake caliper housing

13 701611841
bracket for brake hose / left
F >> 70-X-250 000

(13) 7D0611841D
bracket for brake hose / left
F 70-Y-000 001>>

(13) 701611842
bracket for brake hose / right
F >> 70-X-250 000

(13) 7D0611842B
bracket for brake hose / right
F 70-Y-000 001>>

14 N 0143401
hexagonal head bolt / M6X10

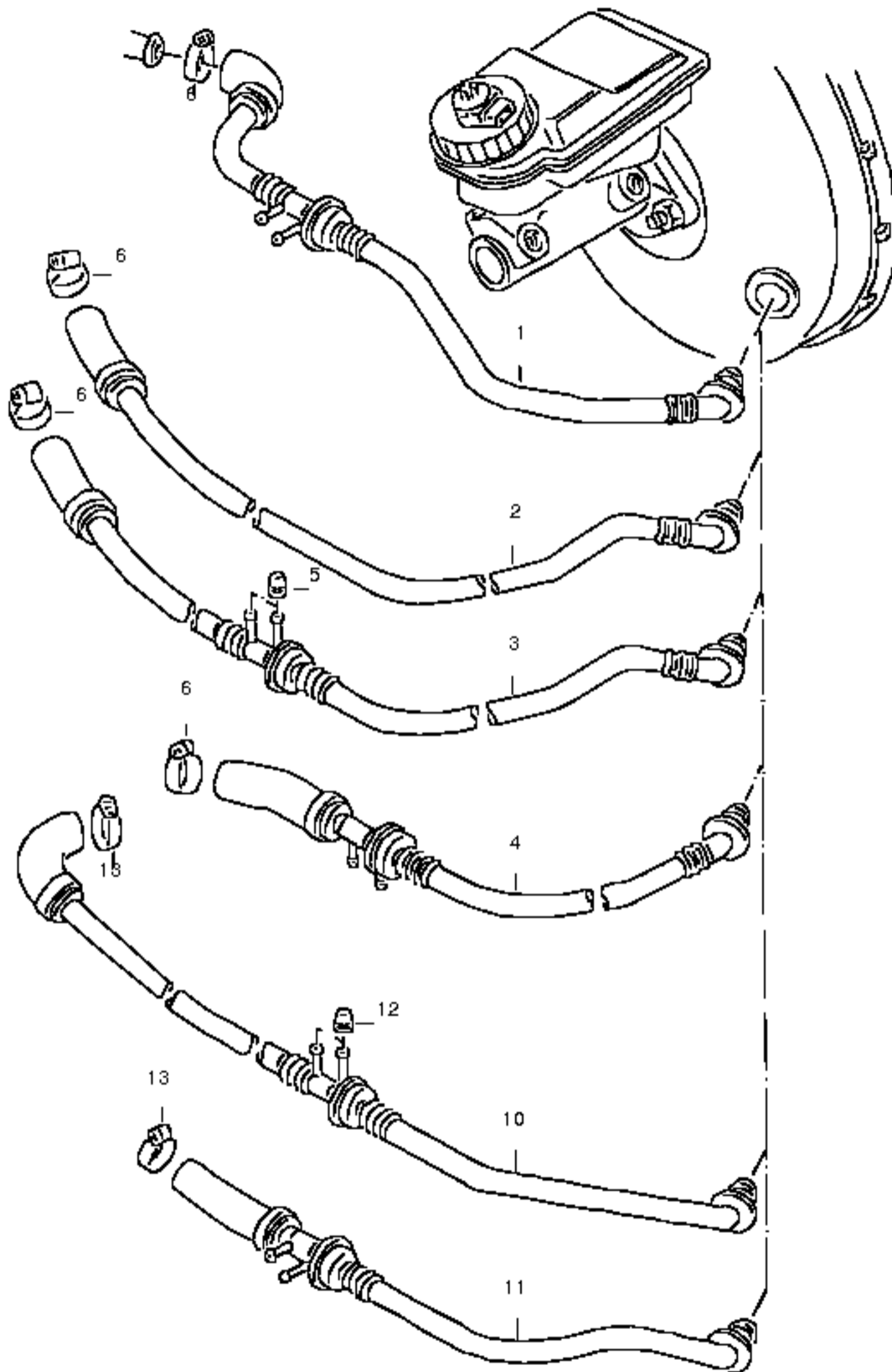
15 N 90685401
hexagonal head bolt / M16X1,5X48

16 N 90571201
allen key head bolt / M10X25X15

17 N 0111337
hexagonal nut / M10

19 G 052150A2
lithium-grease / 180G

20 G 000650
lubricating paste / 100G



Vacuum hoses for the amplifier of the brakes

Vacuum hoses for the amplifier of brakes/4 cylinder

(4) 701611931BG

vacuum pipe with check valve

F >> 70-2H036 071 / lhd / AAC

F >> 70-2X053 844

(4) 7D1611931R

vacuum pipe with check valve

F 70-2H036 072>>> / lhd / AAC

F 70-2H053 845>>>

(4) 702611931AC

vacuum pipe with check valve

F >> 70-2H036 071 / rhd / AAC

F >> 70-2X053 844

(4) 7D2611931N

vacuum pipe with check valve

F 70-2H036 072>>> / rhd / AAC

F 70-2X053 845>>>

(3) 701611931BA

vacuum pipe with check valve

F >> 70-2H036 072 / lhd / ABL

F >> 70-2X053 844

(3) 7D1611931M

vacuum pipe with check valve

F 70-2H036 072>>> / lhd / ABL

F 70-2X053 845>>>

(4) 702611931AJ

vacuum pipe with check valve

F >> 70-2H036 071 / rhd / ABL

F >> 70-2X053 844

(4) 7D2611931G

vacuum pipe with check valve

F 70-2H036 072>>> / rhd / ABL

F 70-2X053 845>>>

5 056129777

cap / 4MM

/ 5-cylinder

(10) 7D1611931G

vacuum pipe with check valve

F >> 70-2H036 071 / lhd / AJA,ACV,AJT,

F >> 70-2X053 844 / AUF,AJT

(10) 7D1611931N

vacuum pipe with check valve

F 70-2H036 072>>> / lhd / AJT,AYY,ACV,

F 70-2X053 845>>> / AYC,AUF,AJA,

(10) 7D1611931H

vacuum pipe with check valve

F >> 70-2H036 071 / lhd / AHY

F >> 70-2X053 844

(10) 7D1611931T

vacuum pipe with check valve

F 70-2H036 072>>> / lhd / AXG

F 70-2X053 845>>>

(10) 7D2611931B

vacuum pipe with check valve

F >> 70-2H036 071 / rhd / AJA

F >> 70-2X053 844

(10) 7D2611931K

vacuum pipe with check valve

F 70-2H036 072>>> / rhd / AJA

F 70-2X053 845>>>

(10) 702611931R

vacuum pipe with check valve

F >> 70-2H036 071 / rhd / ACV,AJT,AUF

F >> 70-2X053 844

(10) 7D2611931M

vacuum pipe with check valve

F 70-2H036 072>>> / rhd / AJT,AYY,ACV,

F 70-2X053 845>>> / AYC,AUF

(3) 7D1611931A

vacuum pipe with check valve / AET,AEU,APL, / AVT

F >> 70-2H036 071 / lhd / AET,APL,AVT,

F >> 70-2X053 844 / AEU

(3) 7D1611931AA

vacuum pipe with check valve

F 70-2H036 072>>> / lhd / AET,AVT,AEU

F 70-2X053 845>>>

(10) 7D2611931

vacuum pipe with check valve

F >> 70-2H036 071 / rhd / AET,APL,AVT,

F >> 70-2X053 844 / AEU,

(10) 7D2611931P

vacuum pipe with check valve

F 70-2H036 072>>> / rhd / AET,AVT,AEU

F 70-2X053 845>>>

12 056129777

cap / 4MM

- 701611963

retainer

toothed belt cover

vacuum pipe with check valve / 6 cylinder

(3) 7D1611931B

vacuum pipe with check valve / lhd / AES

(3) 7D1611931AB

vacuum pipe with check valve / lhd / AMV

(10) 7D2611931C

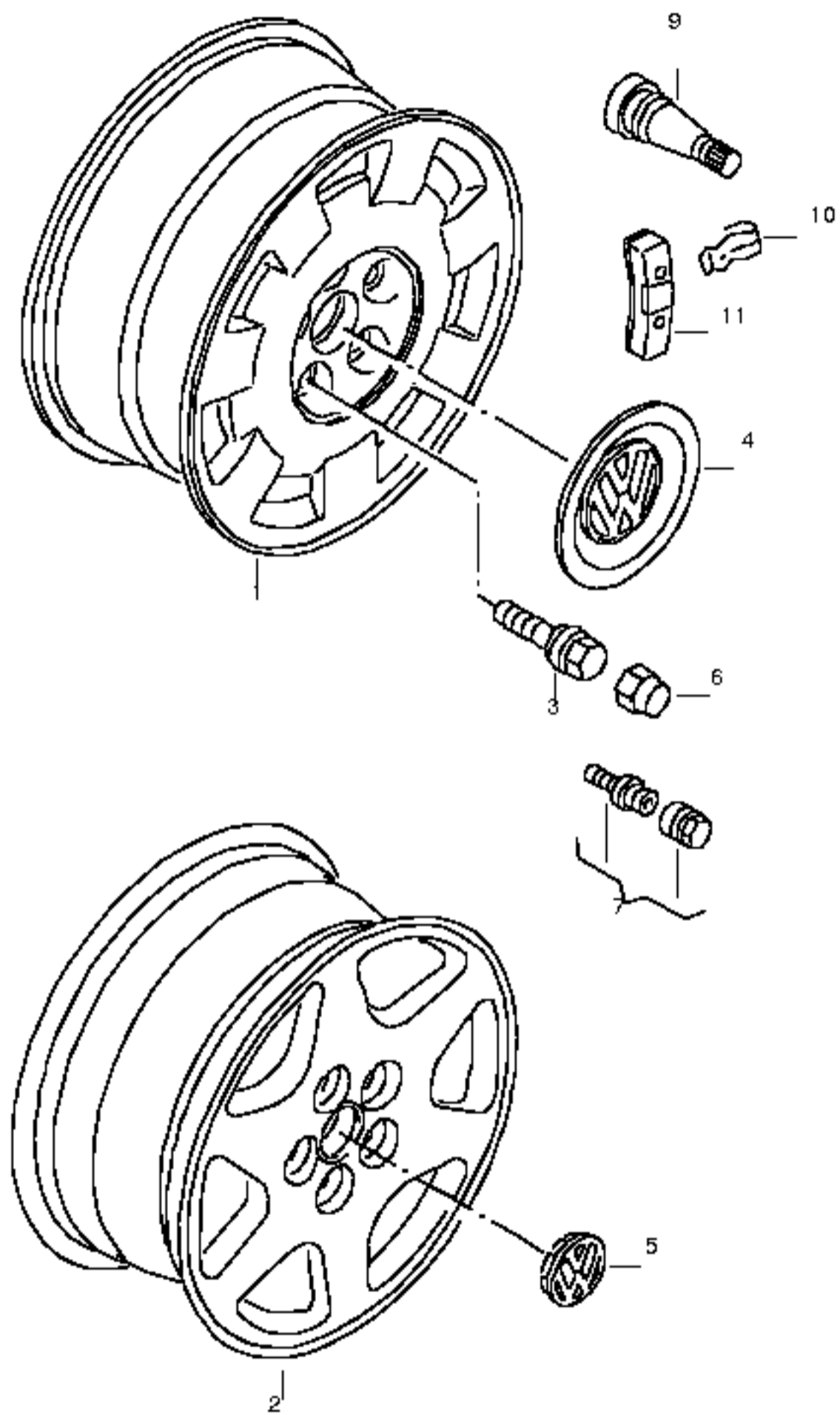
vacuum pipe with check valve / rhd / AES

(10) 7D2611931L

vacuum pipe with check valve / rhd / AMV

(5) 056129777

cap / 4MM



Wheel Disc 'alum'

damper weight

Wheel Disc 'alum'

wheel cap

1 7D0601025

Wheel Disc 'alum' / 7 JX15 H2-ET46 / PR-C7V / 5/112

7D0601025 091 chrome

2 7D0601025A

Wheel Disc 'alum' / 7 JX15 H2-ET46 / PR-C3D / 5/112

7D0601025A 091 chrome colored metallic

(2) 7D0601025B

Wheel Disc 'alum' / 7 JX16 H2-ET49 / PR-C5X / 5/112

7D0601025B 091 chrome colored metallic

(3) 701601139B

wheel bolt / M14X1,5X34 / PR-C7V,C3D

3 701601139B

wheel bolt / M14X1,5X34

F >> 7D-1-000 954 / PR-C5X

(3) 7M3601139B

wheel bolt / M14X1,5X34

F 7D-1-000 955 >> / PR-C5X

(4) 7D0601149A

wheel cap

7D0601149A AEV chrome colored/black

for wheel disc: / 7D0 601 025

5 6N0601171

cover cap

6N0601171 BXF chrome colored/black

for wheel disc: / 7D0 601 025 A

(5) 7D0601165

wheel cap

7D0601165 BXF chrome colored/black

for wheel disc: / 7D0 601 025 B

(6) 7D0601173

cap - wheel bolt

7D0601173 2BC graphite

for wheel disc: / 7D0 601 025 A

(6) 7D0601173A

cap - wheel bolt / 27MM

7D0601173A 2BC graphite

for wheel disc: / 7D0 601 025 B

(6) 7M0601173A

cap - wheel bolt / 29,5X16

black

for wheel disc: / 7D0 601 025 B

7 7M0698137

set of wheel bolts, anti-theft / M14X1,5X34

/ MC GARD

for wheel disc: / 7D0 601 025

/ 7D0 601 025 A

(7) 7M3698137

set of wheel bolts, anti-theft / M14X1,5X27,5

for wheel disc: / 7D0 601 025 B

(7) 7M3601139C

wheel bolt, anti-theft with adapter / M14X1,5X29

for wheel disc: / 7D0 601 025 B

7M3601139C 051

code key /051

7M3601139C 052

code key /052

7M3601139C 053

code key /053

7M3601139C 054

code key /054

7M3601139C 055

code key /055

damper weight

ALU-RAD:RONAL 15" MIT KLAMMER / outer

KLEBEGEWICHT / inner

BBS 15" KLEBEGEWICHT / inner/outer

BBS 16" KLEBEGEWICHT / inner/outer

9 281601361

rubber valve

(9) 175601361

rubber valve

10 255601180

spring

11 443601190

damper weight / 5G- 3/16OZ.

(11) 255601179

damper weight / 10G- 3/8 OZ.

(11) 255601181

damper weight / 20G- 3/4 OZ.

(11) 255601182

damper weight / 30G- 1 OZ.

(11) 255601183

damper weight / 40G- 1 3/8 OZ.

(11) 255601184

damper weight / 50G- 1 3/4 OZ.

(11) 255601185

damper weight / 60G- 2 OZ.

(11) 255601186

damper weight / 70G- 2 1/2 OZ.

balance weight (self-adhesive)

(11) 8E0601181

balance weight (self-adhesive) / 5G- 3/16OZ.

(11) 8E0601182

balance weight (self-adhesive) / 10G- 3/8 OZ.

(11) 8E0601184

balance weight (self-adhesive) / 20G- 3/4 OZ.

(11) 8E0601186

balance weight (self-adhesive) / 30G- 1 OZ.

(11) 8E0601188

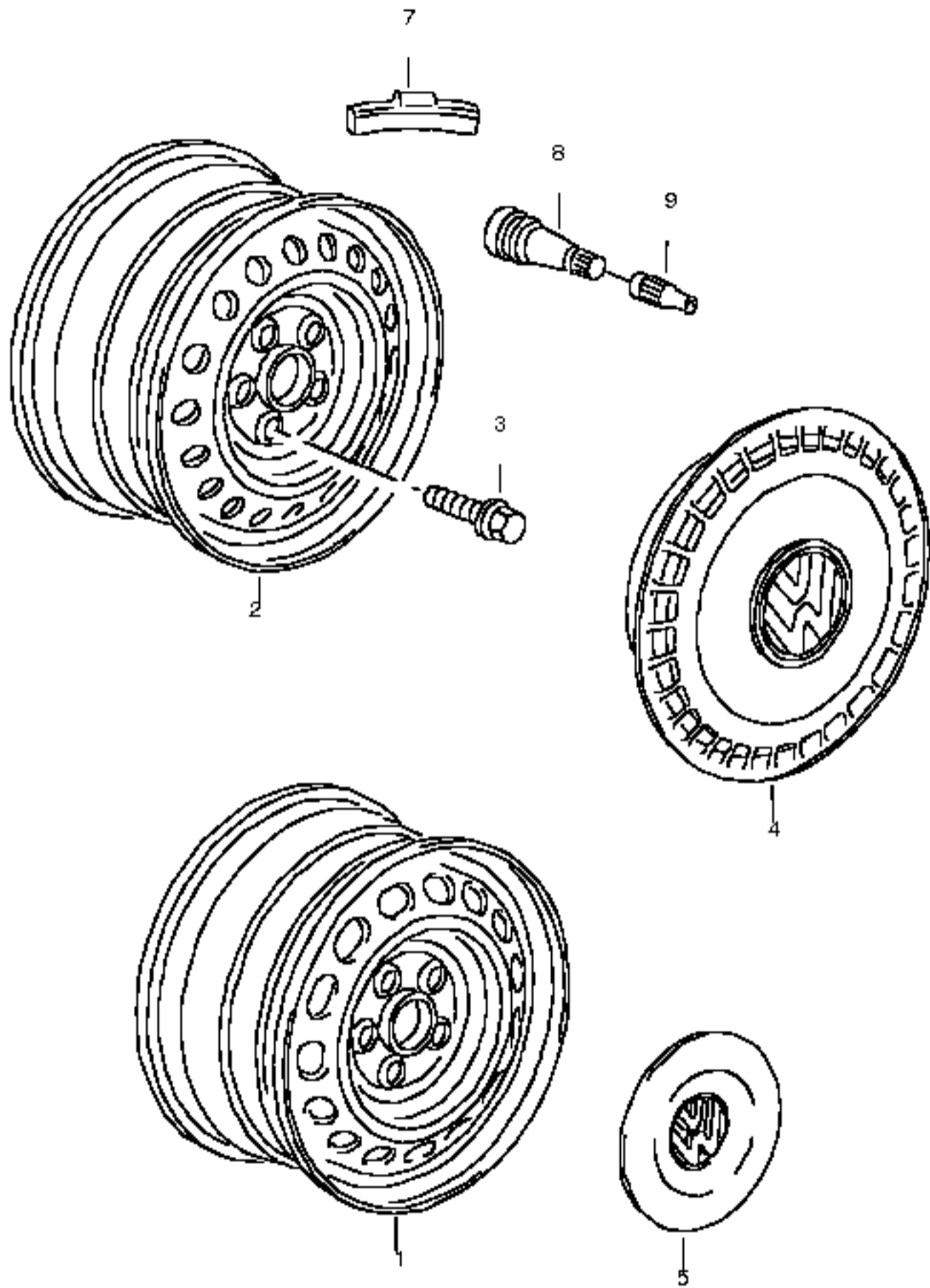
balance weight (self-adhesive) / 40G- 1 3/8 OZ.

(11) 8E0601190

balance weight (self-adhesive) / 50G- 1 3/4 OZ.

(11) 8D0601192A

balance weight (self-adhesive) / 60G- 2 OZ.



Wheel Disc 'steel'

Wheel Disc 'steel'

wheel cap

1 7D0601027

Wheel Disc 'steel' / 6 JX15H2 ET55 / PR-C7W / 5/112

7D0601027 091

chrome colored / RADLAST: 900KG

2 7D0601027A

Wheel Disc 'steel' / 6 JX15H2 ET55 / PR-C7X / 5/112

7D0601027A 091

chrome colored / RADLAST: 810KG

(2) 7D0601027B

Wheel Disc 'steel' / 7 JX15H2 ET46 / PR-1G2 / 5/112

7D0601027B 091

chrome colored metallic / RADLAST: 810KG

(2) 7D0601027C

Wheel Disc 'steel' / 6 JX16H2 ET53 / PR-C5N

F >> 7D-Y-200 000 / 5/112

7D0601027C 091

chrome colored metallic / RADLAST: 800KG

(2) 7D0601027D

Wheel Disc 'steel' / 6 JX16H2 ET53 / PR-C5N

F 7D-1-000 955>> / 5/112

7D0601027D 091

chrome colored metallic / RADLAST: 900KG

(2) 7D0601027E

Wheel Disc 'steel' / 7 JX16H2 ET49 / PR-CD2

F 7D-1-000 955>> / 5/112

7D0601027E 091

chrome colored metallic / RADLAST: 900KG

for spare wheel with normal tire

/ 7D0 601 025 B / PR-C5X+1G2

3 701601139B

wheel bolt / M14X1,5X34

(3) 701601139B

wheel bolt / M14X1,5X34

F >> 7D-1-000 954

for wheel disc: / 7D0 601 027 C

(3) 7M3601139B

wheel bolt / M14X1,5X37

F 7D-1-000 955>>

for wheel disc: / 7D0 601 027 D

/ (091)

/ 7D0 601 027 E

/ (091)

4 7D0601147A

wheel trim / 15"

7D0601147A 091

chrome colored metallic

for wheel disc: / 7D0 601 027

/ 7D0 601 027 A

5 7D0601147B

wheel trim / 16"

7D0601147B 091

chrome colored metallic

for wheel disc: / 7D0 601 027 D

/ 7D0 601 027 E

/ 7D0 601 027 C

(5) 7D0601151

hup cap

for winter tires

7D0601151 01C

satin black

for wheel disc: / 7D0 601 027

/ 7D0 601 027 A

(5) 7D0601151A

hup cap

7D0601151A 091

chrome colored

for wheel disc: / 7D0 601 027

/ 7D0 601 027 A

balance weight with retaining spring

7 183601179

damper weight / 10 G- 3/8 OZ.

(7) 183601181

damper weight / 20 G- 3/4 OZ.

(7) 183601182

damper weight / 30 G-1 OZ.

(7) 183601183

damper weight / 40 G-1 3/8 OZ.

(7) 183601184

damper weight / 50 G-1 3/4 OZ.

(7) 183601185

damper weight / 60 G-2 1/8 OZ.

(7) 183601186

damper weight / 70 G-2 1/2 OZ.

8 281601361

rubber valve / 43GS/11,5

9 3B0601373A

valve extension / 20,5MM